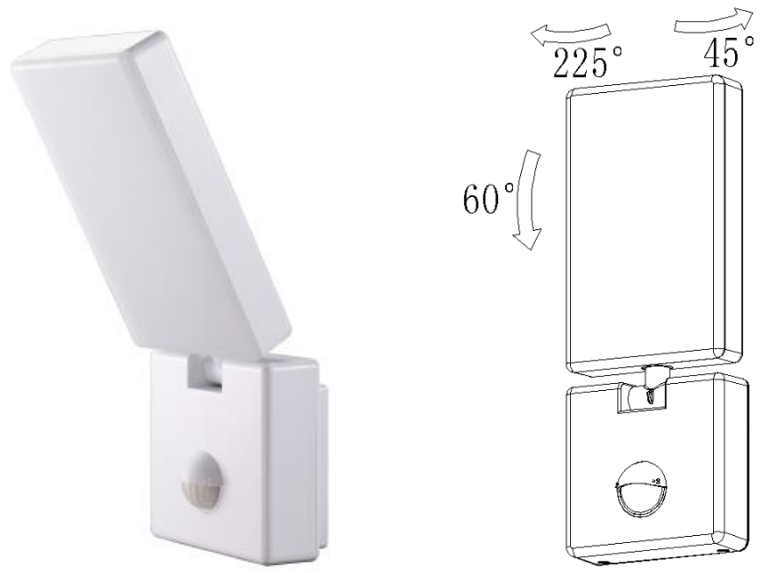


# Faro B/C PIR



## SPECIFICATION:

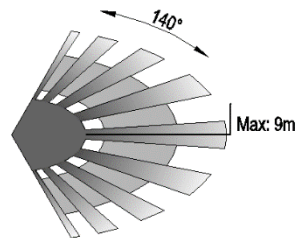
220-240V/AC, 50/60Hz

15W (1100LM), 4000K

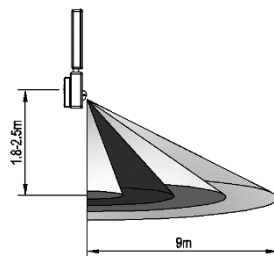
IP65

Working Temperature: -20~+40°C

Detection Range: 140° , max.9m(<24°C), Detection Moving Speed: 0.6-1.5m/s



Installation Height: 1.8-2.5m



Ambient Light: <3-2000LUX(adjustable), time: Min.10sec±3sec, Max.5min±1min

