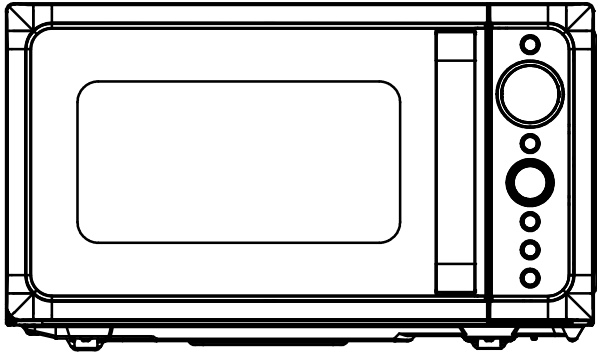


# Microwave Oven Instructions



Model: DIVO G20CR  
DIVO G20CC  
DIVO G20CMB  
DIVO G20CO  
DIVO G20CG

Please read these instructions carefully before installing and operating the oven.

## DECLARATION OF COMPLIANCE

---



By placing the CE mark on this product, we are confirming compliance to all relevant European safety, health and environmental requirements which are applicable in legislation for this product.

## WASTE MANAGEMENT AND ENVIRONMENTAL PROTECTION

---



This appliance is labelled in accordance with European Directive 2012/19/EU regarding electric and electronic appliances (WEEE). The WEEE contain both polluting substances (that can have a negative effect on the environment) and base elements (that can be reused.) It's important that the WEEE undergo specific treatments to correctly remove and dispose of the pollutants and recover all the materials. Individuals can play an important role in ensuring that the WEEE do not become an environmental problem; it is essential to follow a few basic rules:

- The WEEE should not be treated as domestic waste;
- The WEEE should be taken to dedicated collection areas managed by the town council or a registered company.

In many countries, domestic collections may be available for large WEEEs. When you buy a new appliance, the old one can be returned to the vendor who must accept it free of charge as a one-off, as long as the appliance is of an equivalent type and has the same functions as the purchased appliance.



# Content

<b>CONTENT</b> .....	<b>2</b>
<b>PRECAUTIONS TO AVOID POSSIBLE EXPOSURE TO EXCESSIVE MICROWAVE ENERGY</b> .....	<b>3</b>
<b>IMPORTANT SAFETY INSTRUCTIONS</b> .....	<b>3</b>
<b>INSTALLATION GUIDE</b> .....	<b>6</b>
<b>GROUNDING INSTRUCTIONS</b> .....	<b>7</b>
<b>RADIO INTERFERENCE</b> .....	<b>7</b>
<b>BEFORE CALLING FOR SERVICE</b> .....	<b>7</b>
<b>COOKING TECHNIQUES</b> .....	<b>8</b>
<b>COOKING UTENSILS GUIDE</b> .....	<b>8</b>
<b>SPECIFICATIONS</b> .....	<b>9</b>
<b>PRODUCT DIAGRAM</b> .....	<b>9</b>
<b>CONTROL PANEL</b> .....	<b>10</b>
<b>OPERATION INSTRUCTIONS</b> .....	<b>11</b>
<b>SETTING THE CLOCK</b> .....	<b>11</b>
<b>QUICK START</b> .....	<b>11</b>
<b>MICROWAVE COOKING</b> .....	<b>11</b>
<b>GRILL</b> .....	<b>12</b>
<b>COMBINATION</b> .....	<b>12</b>
<b>SPEED DEFROST</b> .....	<b>12</b>
<b>MULTI-STAGE COOKING</b> .....	<b>13</b>
<b>MUTE FUNCTION</b> .....	<b>13</b>
<b>CHILD LOCK</b> .....	<b>13</b>
<b>AUTO COOK</b> .....	<b>13</b>
<b>CLEANING AND CARE</b> .....	<b>14</b>

# PRECAUTIONS TO AVOID POSSIBLE EXPOSURE TO EXCESSIVE MICROWAVE ENERGY

1. Do not attempt to operate this oven with the door open since open-door operation can result in harmful exposure to microwave energy. It is important not to defeat or tamper with the safety interlocks.
2. Do not place any object between the oven front face and the door or allow soil or cleaner residue to accumulate on sealing surfaces.
3. Do not operate the oven if it is damaged. It is very important that the oven door close properly and that there is no damage to the
  - a) Door (including any bent),
  - b) Hinges and latches (broken or loosened),
  - c) Door seals and sealing surfaces.
4. The oven should not be adjusted or repaired by anyone except qualified service personnel.

# IMPORTANT SAFETY INSTRUCTIONS

When using electrical appliance basic safety precautions should be followed, including the following:

**WARNING!**--To reduce the risk of burns, electric shock, fire, injury to persons or exposure to excessive microwave energy:

1. Read all instructions before using the appliance and keep for future reference.
2. Use this appliance only for its intended use as described in the manual. Do not use corrosive chemicals or vapors in this appliance. This type of oven is specifically designed to heat, cook or dry food. It is not designed for industrial or laboratory use.
3. Do not operate the oven when empty.
4. Do not operate this appliance if it has a damaged cord or plug, if it is not working properly, or if it has been damaged or dropped. If the supply cord is damaged, it must be replaced by the manufacturer or its service agent or a similarly qualified person in order to avoid a hazard.
5. **WARNING!**--Only allow children to use the oven without supervision when adequate instructions have been given so that the child is able to use the oven in a safe way

- and understands the hazards of improper use.
6. **WARNING!**--When the appliance is operated in the combination mode, children should only use the oven under adult supervision due to the temperatures generated
  7. To reduce the risk of fire in the oven cavity:
    - When heating food in plastic or paper container, check the oven frequently to the possibility of ignition.
    - Remove wire twist-ties from paper or plastic bags before placing bag in oven.
    - If smoke is observed, switch off or unplug the appliance and keep the door closed in order to stifle any flames.
    - Do not use the cavity for storage purposes. Do not leave paper products, cooking utensils, or food in the cavity when not in use.
    - The microwave oven is intended for heating food and beverages. Drying of clothing and heating of warming pads, slippers, sponges, damp cloth and similar may lead to risk of injury, ignition or fire.
  8. **WARNING!**--Liquid or other food must not be heated in sealed containers since they are liable to explode.
  9. Microwave heating of beverage can result in delayed eruptive boiling, therefore care has to be taken when handle the container.
  10. Do not fry food in the oven. Hot oil can damage oven parts and utensils and even result in skin burns.
  11. Eggs in their shell and whole hard-boiled eggs should not be heated in microwave ovens since they may explode even after microwave heating has ended.
  12. Pierce foods with heavy skins such as potatoes, whole squashes, apples and chestnuts before cooking.
  13. The contents of feeding bottles and baby jars should be stirred or shaken and the temperature should be checked before serving in order to avoid burns.
  14. Cooking utensils may become hot because of heat transferred from the heated food. Potholders may be needed to handle the utensil.
  15. Utensils should be checked to ensure that they are suitable for use in microwave oven.
  16. **WARNING!**--It is hazardous for anyone other than a trained person to carry out any service or repair operation which involves the removal of any cover which gives protection against exposure to microwave energy.
  17. This Microwave complies with EN 55011/CISPR 11, in this standard it belong to Class B Group 2 classification. Group 2 equipment: group 2 contains all ISM RF equipment in which radio-frequency energy in the frequency range 9 kHz to 400 GHz is intentionally generated and used or only used locally, in the form of

- electromagnetic radiation, inductive and/or capacitive coupling, for the treatment of material, for inspection/analysis purposes, or for transfer of electromagnetic energy. Class B equipment is equipment suitable for use in locations in residential environments and in establishments directly connected to a low voltage power supply network which supplies buildings used for domestic purposes.
18. This appliance is not intended for use by persons (including children) with reduced physical, sensory or mental capabilities, or lack of experience and knowledge, unless they have been given supervision or instruction concerning use of the appliance by a person responsible for their safety.
  19. Children should be supervised to ensure that they do not play with the appliance.
  20. The microwave oven is only used in freestanding.
  21. **WARNING!**--Do not install oven over a range cook top or other heat-producing appliance. if installed could be damaged and the warranty would be avoid .
  22. The microwave oven shall not be placed in a cabinet.
  23. The door or the outer surface may get hot when the appliance is operating.
  24. **WARNING!**--Accessible parts may become hot during use. Young children should be kept away.
  25. During use the appliances becomes hot. Care should be taken to avoid touching heating elements inside the oven, for cooking ranged and ovens.
  26. The temperature of accessible surfaces may be high when the appliance is operating.
  27. Appliance is not to be used by children or persons with reduced physical, sensory or mental capabilities, or lack of experience and knowledge, unless they have been given supervision or instruction.
  28. **WARNING!**--If the door or door seals are damaged, the oven must not be operated until it has been repaired by a competent person.
  29. The instructions shall state that appliances are not intended to be operated by means of an external timer or separate remote-control system.
  30. The microwave oven is for household use only and not for commercial use.
  31. Never remove the distance holder in the back or on the sides, as it ensures a minimum distance from the wall for air circulation.
  32. Please secure the turntable before you move the appliance to avoid damages.
  33. **CAUTION!**--It is dangerous to repair or maintain the appliance by no other than a specialist because under these circumstances the cover have to be removed which assures protection against microwave radiation. This applies to changing the power cord or the lighting as well. Send the appliance in these cases to our service centre.
  34. The microwave oven is intended for defrosting, cooking and steaming of food only.
  35. Use gloves if you remove any heated food.

36. Caution! Steam will escape, when opening lids or wrapping foil.
37. This appliance can be used by children aged from 8 years and above and persons with reduced physical, sensory or mental capabilities or lack of experience and knowledge if they have been given supervision or instruction concerning use of the appliance in a safe way and understand the hazards involved. Children shall not play with the appliance. Cleaning and user maintenance shall not be made by children unless they are aged from 8 years and above and supervised.
38. If smoke is emitted, switch off or unplug the appliance and keep the door closed in order to stifle any flames.

## Installation Guide

1. Make sure that all the packing materials are removed from the inside of the door.
2. **WARNING!**--Check the oven for any damage, such as misaligned or bent door, damaged door seals and sealing surface, broken or loose door hinges and latches and dents inside the cavity or on the door. If there is any damage, do not operate the oven and contact qualified service personnel.
3. This microwave oven must be placed on a flat, stable surface to hold its weight and the heaviest food likely to be cooked in the oven.
4. Do not place the oven where heat, moisture, or high humidity are generated, or near combustible materials.
5. For correct operation, the oven must have sufficient airflow. Allow minimum 20cm of free space necessary above the top surface of the oven and 5cm at both sides. The microwave oven rear plate must be placed close to the wall. Do not cover or block any openings on the appliance. Do not remove feet.
6. Do not operate the oven without glass tray, roller support, and shaft in their proper positions.
7. Make sure that the power supply cord is undamaged and does not run under the oven or over any hot or sharp surface.
8. The socket must be readily accessible so that it can be easily unplugged in an emergency.
9. Do not use the oven outdoors.

# GROUNDING INSTRUCTIONS

This appliance must be grounded. This oven is equipped with a cord having a grounding wire with a grounding plug. It must be plugged into a wall receptacle that is properly installed and grounded. In the event of an electrical short circuit, grounding reduces risk of electric shock by providing an escape wire for the electric current. It is recommended that a separate circuit serving only the oven be provided. Using a high voltage is dangerous and may result in a fire or other accident causing oven damage.

**WARNING!**--Improper use of the grounding plug can result in a risk of electric shock.

Note:

1. If you have any questions about the grounding or electrical instructions, consult a qualified electrician or service person.
2. Neither the manufacturer nor the dealer can accept any liability for damage to the oven or personal injury resulting from failure to observe the electrical connection procedures.

The wires in this cable main are colored in accordance with the following code:

**Green and Yellow = EARTH**

**Blue = NEUTRAL**

**Brown = LIVE**

## Radio Interference

Operation of the microwave oven can cause interference to your radio, TV, or similar equipment. When there is interference, it may be reduced or eliminated by taking the following measures:

1. Clean door and sealing surface of the oven.
2. Reorient the receiving antenna of radio or television.
3. Relocate the microwave oven with respect to the receiver.
4. Move the microwave oven away from the receiver.
5. Plug the microwave oven into a different outlet so that microwave oven and receiver are on different branch circuits.

## Before Calling For Service

Before asking for service, please check each item below:

- Check to ensure the oven is plugged in securely. If not, remove the plug from the outlet, wait 10 seconds, and plug it in again securely.

- Check for a blown circuit fuse or a tripped main circuit breaker. If these seem to be operating properly, test the outlet with another appliance.
- Check to ensure the control panel is programmed correctly and the timer is set.
- Check to ensure the door is securely closed, engaging the door lock system. If the door is not properly closed, the microwave energy will not flow inside.

IF NONE OF THE ABOVE RECTIFIES THE SITUATION, THEN CONTACT A QUALIFIED TECHNICIAN. DO NOT TRY TO ADJUST OR REPAIR THE OVEN YOURSELF.

## Cooking Techniques

1. Arrange food carefully. Place thickest areas towards outside of dish.
2. Watch cooking time. Cook for the shortest amount of time indicated and add more as needed. Food severely overcooked can smoke or ignite.
3. Cover foods while cooking. Covers prevent splattering and help foods to cook evenly.
4. Turn foods over once during microwave cooking to speed cooking of such foods as chicken and hamburgers. Large items like roasts must be turned over at least once.
5. Rearrange foods such as meatballs halfway through cooking both from top to bottom and from the center of the dish to the outside.

## Cooking Utensils Guide

1. Microwave cannot penetrate metal. Only use utensils that are suitable for use in microwave ovens. Metallic containers for food and beverages are not allowed during microwave cooking. This requirement is not applicable if the manufacturer specifies size and shape of metallic containers suitable for microwave cooking.
2. Microwave cannot penetrate metal, so metal utensils or dishes with metallic trim should not be used.
3. Do not use recycled paper products when microwave cooking, as they may contain small metal fragments which may cause sparks and/or fires.
4. Round /oval dishes rather than square/oblong ones are recommend, as food in corners tends to overcook.
5. Narrow strips of aluminum foil may be used to prevent overcooking of exposed areas. But be careful don't use too much and keep a distance of 1 inch (2.54cm) between foil and cavity.

The list below is a general guide to help you select the correct utensils.

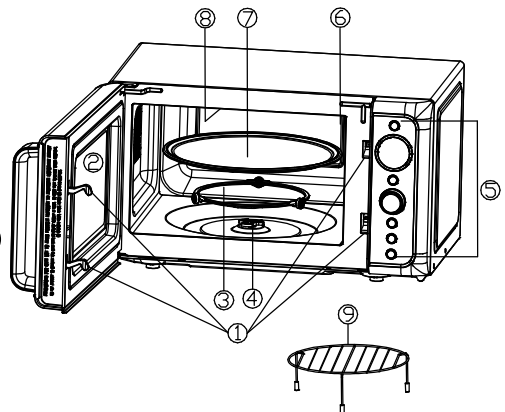
COOKWARE	MICROWAVE	GRILL	COMBINATION
Heat-Resistant Glass	Yes	Yes	Yes
Non Heat-Resistant Glass	No	No	No
Heat-Resistant Ceramics	Yes	Yes	Yes
Microwave-Safe Plastic Dish	Yes	No	No
Kitchen Paper	Yes	No	No
Metal Tray	No	Yes	No
Metal Rack	No	Yes	No
Aluminum Foil & Foil Containers	No	Yes	No

## Specifications

Power Consumption:	230V/50Hz, 1200W(Microwave)
	900W(Grill)
Rated Microwave Power Output:	700W
Operation Frequency:	2450MHz
Outside Dimensions:	262mm(H)×452mm(W)×369mm(D)
Oven Cavity Dimensions:	198mm(H)×315mm(W)×297mm(D)
Oven Capacity:	20Litres
Net Weight:	Approx.11kg

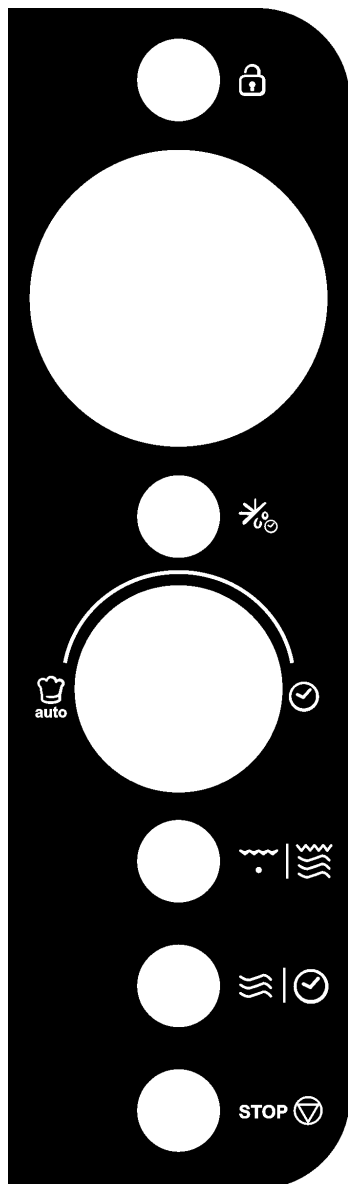
## Product Diagram

1. Door Safety Lock System
2. Oven Window
3. Roller Ring
4. Shaft
5. Control Panel
6. Wave Guide (Please do not remove the mica plate covering the wave guide)
7. Glass Tray
8. Grill Heater
9. Metal Rack





# Control Panel



- **DISPLAY**

Cooking time, power, indicators and present time are displayed.

- **LOCK** 

Press to set mute function.  
Use to set child lock.

- **SPEED DEFROST** 

Press to set defrost program based on time.

- **MENU/TIME (knob)**  

Turn to set time or select auto cook menu.

- **START/QUICK START (the knob)**

Press the knob to start cooking or defrosting program.  
Simply press it a number of times to set cooking time and cook immediately at full power level.

- **GRILL/COMBI.**  | 

Press to set grill cooking program.  
Press to select one of two combination cooking settings.


- **POWER/CLOCK**  | 

Press to set microwave cooking power level.  
Press to set clock time.

- **STOP/CANCEL STOP** 

Press once to temporarily stop cooking, or twice to cancel cooking altogether.

# Operation Instructions

- When the oven first plugged in, beep will sound and the display will show "" and "1:00".
- In the process of setting, broke about 30 seconds the oven will return to standby mode.
- During cooking, if press STOP/CANCEL button once, the program will be paused, then press START/QUICK START button to resume, but if press STOP/CANCEL button twice, the program will be canceled.
- After cooking end, the screen will display End with sound every two minutes until user press any button or open the door.
- The electronically controlling system of the microwave oven has the feature of cooling. As for any cooking mode which cooking time above 2 minutes, open the door or stopping state, the oven fan will work about 3 minutes automatically to cool the oven for prolonging the life of the oven.

## SETTING THE CLOCK

---

This is a 12- or 24- hour clock. You can choose to set the clock time in 12- or 24- hour by pressing the POWER/CLOCK button in standby mode.

1. In standby mode, press and hold POWER/CLOCK button for 3 seconds to select 12- hour clock, press it again to select 24- hour clock.
2. Turn MENU/TIME knob to set hour digit.
3. Press POWER/CLOCK button once.
4. Turn MENU/TIME knob to set minute digit .
5. Press POWER/CLOCK button to confirm.

## QUICK START

---

Use this feature to program the oven to start at 100% power conveniently. In standby mode, press START/QUICK START button repeatedly to enter cooking time (each press to increase 30 seconds, and up to 10 minutes), the oven will start automatically at 100% power level.

**NOTE:** During cooking, you can add cooking time by pressing START/QUICK START button.

## MICROWAVE COOKING

---

1. Press POWER/CLOCK button repeatedly to select power level.
2. Turn MENU/TIME knob clockwise to enter cooking time. The longest time is 95

minutes.

3. Press START/QUICK START button.

**Select power level by pressing the POWER/CLOCK button:**

Press POWER/CLOCK button	Power (Display)
Once	100% (100)
Twice	80% (80)
3 times	60% (60)
4 times	40% (40)
5 times	20% (20)
6 times	0% (00)

**NOTE:** During cooking, the current power level can be seen by pressing POWER/CLOCK button.

## **GRILL**

---

Grill cooking is particularly useful for thin slices of meat, steaks, chops, kebabs, sausages and pieces of chicken. It is also suitable for hot sandwiches and au gratin dishes.

1. Press GRILL/COMBI. button once.
2. Turn MENU/TIME knob to set cooking time. The longest time is 95 minutes.
3. Press START/QUICK START to confirm.

## **COMBINATION**

---

Grill works more time than microwave in combination 1 cooking mode, use for fish and au gratin. But microwave works more time than grill in combination 2 cooking mode, use for pudding, omelets, baked potatoes and poultry.

1. In standby mode, press GRILL/COMBI. button twice or 3 times to select "Co-1" or "Co-2".
2. Turn MENU/TIME knob to set cooking time. The longest time is 95 minutes.
3. Press START/QUICK START to confirm.

## **SPEED DEFROST**

---

1. In standby mode, press SPEED DEFROST button once.
2. Turn MENU/TIME knob to enter defrosting time. The longest time is 95 minutes.
3. Press START/QUICK START button to confirm.

**NOTE:** During defrosting program, the system will pause and sound to remind user to turn food over, and then press START/QUICK START button to resume.

## MULTI-STAGE COOKING

---

Your oven can be programmed for up to 3 automatic microwave cooking sequences .  
Suppose you want to set the following cooking program:

Microwave-cooking



Microwave-cooking (with lower power level)

1. Input the first microwave cooking program. Do not press START/QUICK START.
2. Input the second microwave cooking program.
3. Press START/QUICK START button to confirm.

**NOTE:** Quick start, speed defrost and auto cook menus can't be set in multi-stage cooking.

## MUTE FUNCTION

---

**To Set:** In standby mode, press LOCK button once, the display will show "off" for 3 seconds. At this time, all programs and buttons have no prompt sound, and then the oven will return to standby mode.

**To Cancel:** In mute mode, press LOCK button once, the display will show "on" for 3 seconds, a beep will sound. At this time, the sound of all programs and buttons return to normal, and then the oven will return to standby mode.

## CHILD LOCK

---

Press to prevent unsupervised operation of the oven by children.

**To set:** In standby mode, press and hold LOCK button for 3 seconds, the oven will auto enter child lock mode and the lock indicator light will turn on. In the lock state, all buttons are disabled.

**To cancel:** In child lock mode, press and hold LOCK button for 3 seconds, the indicator light will come off.

## AUTO COOK

---

For food or the following cooking mode, it is not necessary to program the cooking time and power. It is sufficient to indicate the type of food that you want to cook as well as the weight or servings of the food.

1. In standby mode, turn MENU/TIME knob anti-clockwise once, and then turn it to select food code.
2. Press START/QUICK START button once.
3. Turn MENU/TIME knob to select food weight or servings.
4. Press START/QUICK START button to confirm.

### Auto cook menus:

Code	Food	Note
A-1	Milk/Coffee (200 ml/cup, 1-3 cups)	<ol style="list-style-type: none"><li>1. For items A-7, A-8, and A-9, during cooking, the system will pause to remind you to turn over the food, after that, presses START/QUICK START to resume defrosting.</li><li>2. The result of auto cooking depends on factors such as the shape and size of food, your personal preference as to the doneness of certain foods and even how well you happen to place food in the oven. If you find the result at any rate not quite satisfactory, please adjust the cooking time a little bit accordingly.</li></ol>
A-2	Rice (150-600 g)	
A-3	Spaghetti (100-300 g)	
A-4	Potato (230 g/serving, 1-2 servings)	
A-5	Auto Reheat (200-800 g)	
A-6	Fish (200-600 g)	
A-7	Chicken (800-1400 g)	
A-8	Beef/Mutton (200-600 g)	
A-9	Skewered Meat (100-500 g)	

## Cleaning and Care

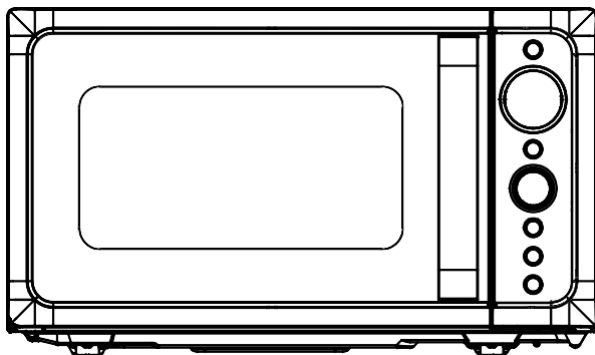
1. Turn off the oven and unplug the power cord from the wall when cleaning.
2. Keep the inside of the oven clean. When food splatters or spilled liquids adhere to oven walls, wipe with a damp cloth. Mild detergents may be used if the oven gets very dirty. Avoid using spray or other harsh cleaners. They may stain, streak or dull the door surface.
3. The outside of the oven should be cleaned with a damp cloth. To prevent damage to the operating parts inside the oven, water should not be allowed to seep into the ventilation openings.
4. Wipe the door and window on both sides, the door seals and adjacent parts frequently with a damp cloth to remove any spills or spatters. Do not use abrasive cleaner.
5. A steam cleaner is not be used.
6. Do not allow the control panel to become wet. Clean with a soft, damp cloth. When cleaning the control panel, leave oven door open to prevent oven from accidentally turning on.
7. If steam accumulates inside or around the outside of the oven door, wipe with a soft cloth. This may occur when the microwave oven is operated under high humidity

condition. And it is normal.

8. It is occasionally necessary to remove the glass tray for cleaning. Wash the tray in warm sudsy water or in a dishwasher.
9. The roller ring and oven floor should be cleaned regularly to avoid excessive noise. Simply wipe the bottom surface of the oven with mild detergent. The roller ring may be washed in mild, soapy water or in a dishwasher. When removing the roller ring, be sure to replace it in the proper position.
10. Remove odors from your oven by combining a cup of water with the juice and skin of one lemon in a microwaveable bowl. Microwave for 5 minutes. Wipe thoroughly and dry with a soft cloth.
11. If the light bulb burns out, please contact customer service to have it replaced.
12. The oven should be cleaned regularly and any food deposits should be removed. Failure to maintain the oven in a clean condition could lead to deterioration of surface that could adversely affect the life of the unit and could possibly result in a hazardous situation.
13. Please do not dispose of this appliance into the domestic rubbish bin; it should be disposed to the particular disposal center provided by the municipalities.
14. When the microwave oven with grill function is first used, it may produce slight smoke and smell. This is a normal phenomenon, because the oven is made of a steel plate coated with lubricating oil, and the new oven will produce fumes and odor generated by burning the lubricating oil. This phenomenon will disappear after a period of using.

# Forno a microonde

## Istruzioni



Modello: DIVO G20CR  
DIVO G20CC  
DIVO G20CMB  
DIVO G20CO  
DIVO G20CG

Leggere attentamente queste istruzioni prima di installare e mettere in funzione il forno.

## DICHIARAZIONE DI CONFORMITÀ

---



Posizionando il marchio su questo prodotto, confermiamo la conformità a tutti i pertinenti requisiti europei in materia di sicurezza, salute e ambiente applicabili nella legislazione per questo prodotto.

## GESTIONE DEI RIFIUTI E TUTELA DELL'AMBIENTE

---



Questo apparecchio è etichettato in conformità alla Direttiva europea 2012/19 / UE relativa agli apparecchi elettrici ed elettronici (RAEE). I RAEE contengono sia sostanze inquinanti (che possono avere un effetto negativo sull'ambiente) sia elementi di base (che possono essere riutilizzati). È importante che i RAEE siano sottoposti a trattamenti specifici per rimuovere e smaltire correttamente gli inquinanti e recuperare tutti i materiali. Le persone possono svolgere un ruolo importante nel garantire che i RAEE non diventino un problema ambientale; è essenziale seguire alcune regole di base:

- I RAEE non devono essere trattati come rifiuti domestici;
- I RAEE devono essere portati nelle aree di raccolta dedicate gestite dal consiglio comunale o da una società registrata.

In molti paesi, le raccolte nazionali possono essere disponibili per RAEE di grandi dimensioni. Quando si acquista un nuovo apparecchio, quello vecchio può essere restituito al fornitore che deve accettarlo gratuitamente come una tantum, purché l'apparecchio sia di tipo equivalente e abbia le stesse funzioni dell'apparecchio acquistato.



# Indice

<b>PRECAUZIONI PER EVITARE UNA POSSIBILE ESPOSIZIONE ALL'ECESSIVA ENERGIA DELLE MICROONDE.....</b>	<b>3</b>
<b>IMPORTANTI ISTRUZIONI DI SICUREZZA .....</b>	<b>3</b>
<b>GUIDA ALL'INSTALLAZIONE .....</b>	<b>7</b>
<b>ISTRUZIONI DI MESSA A TERRA.....</b>	<b>8</b>
<b>INTERFERENZE RADIO.....</b>	<b>8</b>
<b>PRIMA DI CHIAMARE L'ASSISTENZA.....</b>	<b>9</b>
<b>TECNICHE DI COTTURA.....</b>	<b>9</b>
<b>GUIDA AGLI UTENSILI DA CUCINA .....</b>	<b>10</b>
<b>SPECIFICHE .....</b>	<b>11</b>
<b>SCHEMA DEL PRODOTTO.....</b>	<b>11</b>
<b>PANNELLO DI CONTROLLO .....</b>	<b>12</b>
<b>ISTRUZIONI PER IL FUNZIONAMENTO.....</b>	<b>13</b>
<b>IMPOSTAZIONE DELL'ORA .....</b>	<b>13</b>
<b>AVVIO RAPIDO .....</b>	<b>13</b>
<b>COTTURA A MICROONDE.....</b>	<b>14</b>
<b>GRILL.....</b>	<b>14</b>
<b>COMBINATA .....</b>	<b>14</b>
<b>SCONGELAMENTO RAPIDO .....</b>	<b>15</b>
<b>COTTURA A PIÙ STADI.....</b>	<b>15</b>
<b>FUNZIONE MUTE .....</b>	<b>15</b>
<b>SICUREZZA BAMBINI.....</b>	<b>15</b>
<b>COTTURA AUTOMATICA .....</b>	<b>16</b>
<b>PULIZIA E MANUTENZIONE .....</b>	<b>17</b>

# PRECAUZIONI PER EVITARE UNA POSSIBILE ESPOSIZIONE ALL'ECESSIVA ENERGIA DELLE MICROONDE

1. Non tentare di far funzionare questo forno con lo sportello aperto, poiché il funzionamento a sportello aperto può provocare un'esposizione dannosa all'energia delle microonde. È importante non manomettere gli interblocchi di sicurezza.
2. Non collocare alcun oggetto tra la parte anteriore del forno e lo sportello, né lasciare che residui di sporco o detersivi si accumulino sulle superfici di tenuta.
3. Non azionare il forno se danneggiato. È particolarmente importante che lo sportello del forno si chiuda correttamente e che non vi siano danni a
  - a) Sportello (anche piegato),
  - b) Cerniere e chiusure (rotte o allentate),
  - c) Guarnizioni per sportelli e superfici di tenuta.
4. Il forno non deve essere regolato o riparato da nessuno, ad eccezione del personale di assistenza qualificato.

# IMPORTANTI ISTRUZIONI DI SICUREZZA

Quando si utilizzano elettrodomestici è necessario seguire le precauzioni di sicurezza di base, tra cui le seguenti:

**AVVERTENZA!**-- Per ridurre il rischio di ustioni, scosse elettriche, incendi, lesioni alle persone o l'esposizione a un'eccessiva energia delle microonde:

1. Leggere tutte le istruzioni prima di utilizzare l'elettrodomestico e conservarle per riferimenti futuri.
2. Utilizzare l'elettrodomestico solo per l'uso previsto come descritto nel presente manuale. Non utilizzare prodotti chimici corrosivi o vapori nell'elettrodomestico. Questo tipo di forno è specificamente progettato per riscaldare, cuocere o essiccare gli alimenti. Non è progettato per uso industriale o di laboratorio.
3. Non azionare il forno quando è vuoto.
4. Non mettere in funzione l'elettrodomestico se ha un cavo o una spina danneggiati, se non funziona correttamente o se è stato danneggiato o è caduto. Se il cavo di

- alimentazione del l' elettrodomestico dove sse essere danneggiato, farlo sostituire dal produttore, dal suo servizio tecnico o da un tecnico qualificato, per evitare rischi.
5. **AVVERTENZA!--** Consentire ai bambini di utilizzare il forno senza sorveglianza solo quando sono state date istruzioni adeguate affinché il bambino sia in grado di utilizzare il forno in modo sicuro e comprenda i rischi di un uso improprio.
  6. **AVVERTENZA!--** Quando l'elettrodomestico viene utilizzato in modalità combinata, i bambini dovrebbero utilizzare il forno solo sotto la supervisione di un adulto a causa delle temperature generate.
  7. Per ridurre il rischio di incendio nel vano di cottura:
    - Quando si riscaldano alimenti in contenitori di plastica o di carta, tenere sotto controllo il forno per la possibilità di incendi.
    - Rimuovere i fili ritorti da sacchetti di carta o di plastica prima di mettere il sacchetto nel forno.
    - In presenza di fumo, spegnere l' elettrodomestico o staccarlo dal l' alimentazione e mantenere lo sportello chiuso onde soffocare le eventuali fiamme.
    - Non utilizzare il vano del forno per la conservazione. Non lasciare prodotti di carta, utensili da cucina o alimenti nel vano del forno quando non è in uso.
    - Il forno a microonde è destinato al riscaldamento di alimenti e bevande. L'asciugatura di cuscinetti riscaldanti, pantofole, spugne, panni umidi e simili possono comportare il rischio di lesioni, accensione o incendio.
  8. **AVVERTENZA!--** I liquidi e altri alimenti non devono essere scaldati in contenitori sigillati poiché potrebbero esplodere.
  9. Il riscaldamento a microonde delle bevande può causare un'ebollizione ritardata con proiezioni di liquidi, pertanto è necessario prestare attenzione durante la manipolazione del contenitore.
  10. Non friggere alimenti nel forno. L'olio caldo può danneggiare le parti del forno e gli utensili e persino causare ustioni alla pelle.
  11. Le uova nel guscio e le uova sode intere non devono essere riscaldate nei forni a microonde, poiché possono esplodere anche dopo la fine del riscaldamento a microonde.
  12. Forare gli alimenti con bucce pesanti come patate, zucche intere, mele e castagne prima della cottura.
  13. Il contenuto dei biberon e dei vasetti di omogeneizzati deve essere mescolato o agitato e la temperatura deve essere controllata prima di servire per evitare ustioni.
  14. Gli utensili da cucina possono surriscaldarsi a causa del calore trasferito dal cibo riscaldato. Per maneggiare l'utensile possono essere necessarie le presine.
  15. Gli utensili devono essere controllati per verificare che siano adatti all'uso nel forno a microonde.

16. **AVVERTENZA!**-- È pericoloso per tutti, ad eccezione del personale addetto, eseguire qualsiasi operazione di manutenzione o di riparazione che implichi la rimozione di qualunque coperchio di protezione contro l'esposizione all'energia microonde.
17. Questo forno a microonde è conforme alla norma EN 55011/CISPR 11; nell'ambito di questa norma appartiene alla classificazione di Classe B Gruppo 2. Apparecchiature del gruppo 2: il gruppo 2 contiene tutte le apparecchiature ISM RF in cui l'energia a radiofrequenza nella gamma di frequenza da 9 kHz a 400 GHz è generata e utilizzata intenzionalmente o utilizzata solo localmente, sotto forma di radiazione elettromagnetica, accoppiamento induttivo e/o capacitivo, per il trattamento di materiale, per scopi di ispezione/analisi, o per il trasferimento di energia elettromagnetica. Per apparecchiature di classe B si intendono apparecchiature adatte all'uso in posizioni all'interno di ambienti residenziali e in sedi direttamente collegate ad una rete di alimentazione a bassa tensione che alimenta gli edifici adibiti ad uso domestico.
18. Questo elettrodomestico non è da intendersi adatto all'uso da parte di persone (incluso bambini) con ridotte capacità fisiche, sensoriali o mentali, o prive di esperienza e conoscenza, a meno che siano state supervisionate o istruite riguardo all'uso dell'elettrodomestico da una persona responsabile della loro sicurezza.
19. I bambini devono essere supervisionati per assicurarsi che non giochino con l' elettrodomestico.
20. Il forno a microonde viene utilizzato solo in versione indipendente.
21. **AVVERTENZA!**-- Non installare il forno sopra un piano di cottura o altro elettrodomestico che produce calore. Se installato in questo modo potrebbe essere danneggiato e la garanzia diventerebbe nulla.
22. Il forno a microonde non deve essere collocato in un mobile.
23. Lo sportello o la superficie esterna può surriscaldarsi quando l'elettrodomestico è in funzione.
24. **AVVERTENZA!**-- Durante l'utilizzo le parti accessibili possono diventare calde. I bambini piccoli devono essere mantenuti a distanza.
25. Durante l'uso l'elettrodomestico diventa caldo. Fare attenzione a non toccare le resistenze di riscaldamento all'interno del forno, per i ripiani di cottura e nei forni.
26. La temperatura delle superfici accessibili può essere elevata quando l'elettrodomestico è in funzione.
27. L'elettrodomestico non deve essere utilizzato da bambini o persone con ridotte capacità fisiche, sensoriali o mentali, o con scarsa esperienza e conoscenza, a meno che non siano stati supervisionati o istruiti.

28. **AVVERTENZA!**-- Se lo sportello o la guarnizione dello sportello sono danneggiati, il forno non dev' essere utilizzato fino a quando non è stato riparato da personale competente
29. Le istruzioni indicano che l' elettrodomestico non è concepito per funzionare con temporizzatori esterni o con sistemi di comando a distanza separati.
30. Il forno a microonde è solo per uso domestico e non per uso commerciale.
31. Non rimuovere mai il distanziatore sul retro o sui lati, in quanto garantisce una distanza minima dalla parete per la circolazione dell'aria.
32. Fissare il piatto rotante prima di spostare l'elettrodomestico per evitare danni.
33. **ATTENZIONE!**-- È pericoloso fare riparare o sottoporre a manutenzione l'elettrodomestico da personale non specializzato, poiché in queste circostanze è necessario rimuovere la copertura che garantisce la protezione contro le radiazioni a microonde. Questo vale anche per la sostituzione del cavo di alimentazione o dell'illuminazione. In questi casi, inviare l'elettrodomestico al nostro centro di assistenza.
34. Il forno a microonde è destinato esclusivamente allo scongelamento, alla cottura e alla cottura a vapore degli alimenti.
35. Utilizzare i guanti se si rimuovono gli alimenti riscaldati.
36. Attenzione! Il vapore fuoriesce quando si aprono i coperchi o la pellicola avvolgente.
37. L'elettrodomestico può essere utilizzato da bambini di età superiore a 8 anni e da persone con ridotte capacità fisiche, sensoriali o mentali, oppure prive di esperienza e conoscenza, se supervisionate o istruite riguardo all' uso dell' elettrodomestico in sicurezza, e se comprendono i rischi che derivano dall'uso dello stesso. I bambini non devono giocare con l' elettrodomestico. La pulizia o la manutenzione da parte dell'utente non deve essere eseguita da bambini a meno che non abbiano più di 8 anni e siano sorvegliati.
38. In presenza di fumo, spegnere l' elettrodomestico o staccarlo dall' alimentazione e mantenere lo sportello chiuso onde soffocare le eventuali fiamme.

# Guida all'installazione

1. Assicurarsi che tutti i materiali di imballaggio siano stati rimossi dall'interno dello sportello.
2. **AVVERTENZA!**-- Controllare che il forno non presenti danni, come sportello non allineato o piegato, guarnizioni e superfici di tenuta danneggiate, cerniere e chiusure dello sportello rotte o allentate e ammaccature all'interno del vano di cottura o sullo sportello. In caso di danni, non mettere in funzione il forno e contattare il personale di assistenza qualificato.
3. Questo forno a microonde deve essere posizionato su una superficie piana e stabile per sostenere il suo peso e gli alimenti più pesanti che possono essere cotti all'interno del forno.
4. Non collocare il forno in luoghi in cui si generano calore, umidità, anche elevata, o in prossimità di materiali combustibili.
5. Per un corretto funzionamento, il forno deve avere un flusso d'aria sufficiente. Lasciare almeno 20 cm di spazio libero necessario sopra la superficie superiore del forno e 5 cm su entrambi i lati. La piastra posteriore del forno a microonde deve essere posizionata vicino alla parete. Non coprire o bloccare le aperture dell'elettrodomestico. Non rimuovere i piedini.
6. Non mettere in funzione il forno senza il vassoio in vetro, il supporto a rulli e il perno nella posizione corretta.
7. Accertarsi che il cavo di alimentazione non sia danneggiato e non si trovi sotto il forno o su superfici calde o taglienti.
8. La presa deve essere facilmente accessibile in modo da poter essere facilmente scollegata in caso di emergenza.
9. **Non collocare l' elettrodomestico in ambienti esterni.**

# ISTRUZIONI DI MESSA A TERRA

Questo elettrodomestico deve essere collegato a terra. Questo forno è dotato di un cavo con filo di messa a terra e spina di messa a terra. Deve essere inserito in una presa a muro correttamente installata e messa a terra. In caso di corto circuito elettrico, la messa a terra riduce il rischio di scosse elettriche fornendo un filo di fuga per la corrente elettrica. Si raccomanda di prevedere un circuito separato che serva solo il forno. L'uso di una tensione elevata è pericoloso e può provocare un incendio o altri incidenti che possono causare danni al forno.

**AVVERTENZA!-- L' uso non corretto della spina di messa a terra pu ò comportare il rischio di scosse elettriche.**

Nota:

1. In caso di domande sulla messa a terra o sulle istruzioni elettriche, consultare un elettricista qualificato o un tecnico dell'assistenza.
2. Né il produttore né il rivenditore si assumono alcuna responsabilità per danni al forno o lesioni personali derivanti dalla mancata osservanza delle procedure di collegamento elettrico.

I fili di questo cavo principale sono colorati secondo il seguente codice:

**Verde e giallo = TERRA**

**Blu = NEUTRO**

**Marrone - ALIMENTAZIONE**

## Interferenze radio

Il funzionamento del forno a microonde può causare interferenze con la radio, la TV o apparecchiature simili. In presenza di interferenze, queste possono essere ridotte o eliminate adottando le seguenti precauzioni:

1. Pulire lo sportello e la superficie di tenuta del forno.
2. Orientare nuovamente l'antenna di ricezione della radio o della televisione.
3. Riposizionare il forno a microonde rispetto al ricevitore.
4. Allontanare il forno a microonde dal ricevitore.
5. Collegare il forno a microonde ad una presa diversa in modo che il forno a microonde e il ricevitore si trovino su circuiti di derivazione diversi.

# Prima di chiamare l'assistenza

Prima di chiamare l'assistenza, controllare ciascuna delle voci sotto riportate:

- Controllare che il forno sia collegato perfettamente. In caso contrario, rimuovere la spina dalla presa, attendere 10 secondi e reinserirla a fondo.
- Controllare la presenza di un fusibile bruciato o di un salvamotore scattato. Se tutto sembra funzionare correttamente, provare la presa di corrente con un altro elettrodomestico.
- Verificare che il pannello di controllo sia programmato correttamente e che il timer sia impostato.
- Verificare che lo sportello sia chiuso saldamente innestando il sistema di blocco dello sportello. Se lo sportello non è chiuso correttamente, l'energia del microonde non fluisce all'interno.

SE NESSUNO DI QUESTI INTERVENTI RISOLVE LA SITUAZIONE, CONTATTARE UN TECNICO QUALIFICATO. NON CERCARE DI REGOLARE O RIPARARE IL FORNO DA SOLI.

# Tecniche di cottura

1. Disporre gli alimenti con cura. Posizionare le parti più spesse verso l'esterno del piatto.
2. Controllare l'orario di cottura. Cuocere per il minor tempo indicato e aggiungere ulteriore tempo se necessario. Gli alimenti molto cotti possono produrre fumo o infiammarsi.
3. Coprire gli alimenti durante la cottura. Le coperture prevengono gli schizzi e aiutano la cottura uniforme degli alimenti.
4. Girare gli alimenti una volta durante la cottura a microonde per velocizzare la cottura di alimenti come pollo e hamburger. Alimenti di grandi dimensioni come gli arrosti devono essere capovolti almeno una volta.
5. Girare gli alimenti come le polpette a metà cottura sia dall'alto verso il basso che dal centro del piatto verso l'esterno.



# Guida agli utensili da cucina

1. Le microonde non possono penetrare il metallo. Utilizzare solo utensili adatti per l'uso nei forni a microonde. Non sono ammessi contenitori metallici per alimenti e bevande durante la cottura a microonde. Questo requisito non è applicabile se il produttore specifica le dimensioni e la forma dei contenitori metallici adatti alla cottura a microonde.
2. Le microonde non possono penetrare nel metallo, quindi non si devono usare utensili o stoviglie in metallo con finiture metalliche.
3. Non utilizzare prodotti di carta riciclata per la cottura a microonde, in quanto possono contenere piccoli frammenti metallici che possono causare scintille e/o incendi.
4. Si consigliano piatti rotondi/ovali piuttosto che quadrati/oblunghi, dato che il cibo negli angoli tende a cuocere eccessivamente.
5. È possibile utilizzare strisce strette di foglio di alluminio per evitare il surriscaldamento delle aree esposte. Prestare attenzione a non usarne troppo e mantenere una distanza di 2,54 cm (1 pollice) tra il foglio e il vano cottura.

L'elenco che segue è una guida generale per aiutarvi a selezionare gli utensili corretti.

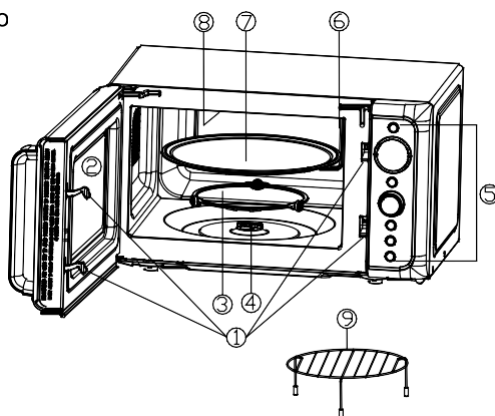
TIPI DI PENTOLE	MICROONDE	GRILL	COMBINATA
Vetro termoresistente	Sì	Sì	Sì
Vetro non termoresistente	No	No	No
Ceramica termoresistente	Sì	Sì	Sì
Piatto di plastica adatto al microonde	Sì	No	No
Carta da cucina	Sì	No	No
Vassoio in metallo	No	Sì	No
Ripiano in metallo	No	Sì	No
Pellicola di alluminio e contenitori in pellicola di alluminio	No	Sì	No

# Specifiche

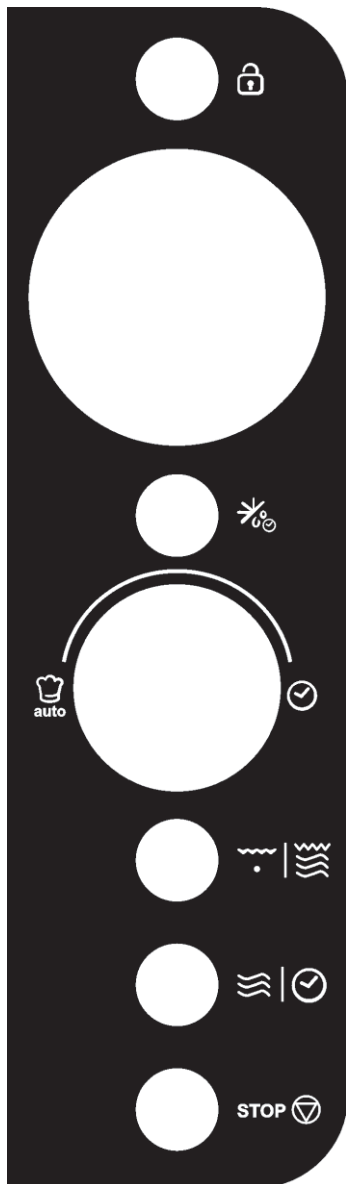
Potenza assorbita:	230 V/50 Hz, 1200 W (Microonde)
	900 W (Grill)
Potenza nominale microonde:	700 W
Frequenza di funzionamento:	2450 MHz
Dimensioni esterne:	262 mm (H) x 452 mm (L) x 369 mm (P)
Dimensioni del vano cottura:	198 mm (A) x 315 mm (L) x 297 mm (P)
Capacità forno:	20 litri
Peso netto:	Circa 11 kg

# Schema del prodotto

1. Sistema di blocco di sicurezza sportello
2. Finestra del forno
3. Anello a rulli
4. Perno
5. Pannello di controllo
6. Guida onde (non togliere la piastra in mica che copre la guida onde)
7. Vassoio in vetro
8. Riscaldatore Grill
9. Ripiano in metallo



# Pannello di controllo



- **DISPLAY**

Vengono visualizzati il tempo di cottura, la potenza, gli indicatori e l'orario.

- **BLOCCO** 

Premere per impostare la funzione mute.  
Utilizzare per impostare la sicurezza bambini.

- **SCONGELAMENTO RAPIDO** 

Premere per impostare il programma di scongelamento in base al tempo.

- **MENÙ/ORA (manopola)**  

Ruotare per impostare l'ora o selezionare il menù di cottura automatica.

- **AVVIO/AVVIO RAPIDO (manopola)**

Premere la manopola per avviare il programma di cottura o di scongelamento.

Basta premerlo più volte per impostare il tempo di cottura e cuocere immediatamente a potenza massima.

- **GRILL/COMBI.**  | 

Premere per impostare il programma di cottura con grill.

Premere per selezionare una delle due impostazioni di cottura combinata.

- **POTENZA/OROLOGIO**  | 

Premere per impostare il livello di potenza di cottura a microonde.

Premere per impostare l'ora dell'orologio.

- **STOP/CANCELLA STOP** 

Premere una volta per interrompere temporaneamente la cottura o due volte per annullare la cottura.

# Istruzioni per il funzionamento

- Quando il forno è collegato per la prima volta, viene emesso un segnale acustico e il display mostra "🕒" e "1:00".
- Nel processo di impostazione, trascorsi circa 30 secondi il forno tornerà in modalità standby.
- Durante la cottura, se si preme una volta il pulsante STOP/CANCELLA, il programma viene messo in pausa e poi si preme il pulsante AVVIO/AVVIO RAPIDO per riprendere; se invece si preme due volte il pulsante STOP/CANCELLA, il programma viene annullato.
- Al termine della cottura, lo schermo visualizzerà End (Fine) con un suono ogni due minuti fino a quando l'utente non premerà un pulsante qualsiasi o aprirà lo sportello.
- Il sistema di controllo elettronico del forno a microonde ha la funzione di raffreddamento. Come per qualsiasi modalità di cottura che prevede un tempo di cottura superiore a 2 minuti, aprendo lo sportello o interrompendo lo stato, la ventola del forno funzionerà automaticamente per circa 3 minuti per raffreddare il forno e prolungare la durata del forno.

## IMPOSTAZIONE DELL'ORA

---

L'orologio ha 12-24 ore. È possibile scegliere di impostare l'ora dell'orologio in 12 o 24 ore premendo il pulsante POTENZA/OROLOGIO in modalità standby.

1. In modalità standby, tenere premuto il pulsante POTENZA/OROLOGIO per 3 secondi per selezionare l'orologio di 12 ore, premerlo di nuovo per selezionare l'orologio di 24 ore.
2. Ruotare la manopola MENÙ/ORA per impostare la cifra dell'ora.
3. Premere una volta il pulsante POTENZA/OROLOGIO.
4. Ruotare la manopola MENÙ/ORA per impostare la cifra dei minuti.
5. Premere il pulsante POTENZA/OROLOGIO per confermare.

## AVVIO RAPIDO

---

Utilizzare questa funzione per programmare il forno in modo che possa partire al 100% della potenza. In modalità standby, premere ripetutamente il pulsante AVVIO/AVVIO RAPIDO per inserire il tempo di cottura (ogni pressione aumenta di 30 secondi e fino a 10 minuti), il forno si avvia automaticamente al 100% di potenza.

**NOTA:** Durante la cottura, è possibile aggiungere il tempo di cottura premendo il pulsante AVVIO/AVVIO RAPIDO.

## **COTTURA A MICROONDE**

---

1. Premere ripetutamente il pulsante POTENZA/OROLOGIO per selezionare il livello di potenza.
2. Ruotare la manopola MENÙ/ORA in senso orario per inserire il tempo di cottura. Il tempo massimo è di 95 minuti.
3. Premere il pulsante AVVIO/AVVIO RAPIDO.

**Selezionare il livello di potenza premendo il pulsante POTENZA/OROLOGIO:**

Premere una volta il pulsante POTENZA/OROLOGIO	Potenza (display)
Una volta	100% (100)
Due volte	80% (80)
3 volte	60% (60)
4 volte	40% (40)
5 volte	20% (20)
6 volte	0% (00)

**NOTA:** durante la cottura, il livello di potenza attuale può essere visualizzato premendo il pulsante POTENZA/OROLOGIO.

## **GRILL**

---

La cottura alla griglia è particolarmente utile per fette sottili di carne, bistecche, braciole, spiedini, salsicce e pollo in pezzi. È adatto anche per panini caldi e piatti gratinati.

1. Premere il pulsante GRILL/COMBI. una volta.
2. Ruotare la manopola MENÙ/ORA in senso orario per impostare il tempo di cottura. Il tempo massimo è di 95 minuti.
3. Premere AVVIO/AVVIO RAPIDO per confermare.

## **COMBINATA**

---

Il grill funziona più a lungo del microonde in combinazione con la modalità di cottura 1, si utilizza per la cottura del pesce e per i piatti gratinati. Ma il microonde funziona più a lungo del grill in combinazione con la modalità di cottura 2, si utilizza per i budini, le omelette, le patate al forno e il pollame.

1. In modalità standby, premere il pulsante GRILL/COMBI. due o tre volte per selezionare "Co-1" o "Co-2".
2. Ruotare la manopola MENÙ/ORA in senso orario per impostare il tempo di cottura. Il tempo massimo è di 95 minuti.
3. Premere AVVIO/AVVIO RAPIDO per confermare.

## **SCONGELAMENTO RAPIDO**

---

1. In modalità standby, premere una volta il pulsante SCONGELAMENTO RAPIDO.
2. Ruotare la manopola MENÙ/ORA per inserire il tempo di scongelamento. Il tempo massimo è di 95 minuti.
3. Premere il pulsante AVVIO/AVVIO RAPIDO per confermare.

**NOTA:** Durante il programma di scongelamento, il sistema si ferma ed emette un segnale acustico per ricordare all'utente di girare gli alimenti, quindi premere il pulsante AVVIO/AVVIO RAPIDO per riprendere lo scongelamento.

## **COTTURA A PIÙ STADI**

---

Il forno può essere programmato fino a 3 sequenze di cottura automatica a microonde. Supponiamo di voler impostare il seguente programma di cottura:

Cottura a microonde



Cottura a microonde (con livello di potenza inferiore)

1. Impostare il primo programma di cottura a microonde. Non premere AVVIO/AVVIO RAPIDO.
2. Impostare il secondo programma di cottura a microonde.
3. Premere il pulsante AVVIO/AVVIO RAPIDO per confermare.

**NOTA:** L'avvio rapido, lo sbrinamento rapido e i menù di cottura automatica non possono essere impostati nella cottura a più stadi.

## **FUNZIONE MUTE**

---

**Per impostare:** In modalità standby, premere una volta il pulsante BLOCCO, il display mostrerà "oFF" per 3 secondi. In questo momento, tutti i programmi e i pulsanti non hanno alcun suono di avviso, e quindi il forno tornerà in modalità standby.

**Per annullare:** In modalità mute, premere una volta il pulsante BLOCCO, il display mostrerà "on" per 3 secondi e si attiverà un segnale acustico. In questo momento, tutti i programmi e i pulsanti torneranno nelle loro condizioni normali e il forno tornerà in modalità standby.

## **SICUREZZA BAMBINI**

---

Premere per evitare che i bambini possano far funzionare il forno senza sorveglianza.

**Per impostare:** In modalità standby, premere e tenere premuto il pulsante BLOCCO per 3 secondi, il forno entrerà automaticamente in modalità sicurezza bambini e la spia di sicurezza bambini si accenderà. Nello stato di sicurezza bambini, tutti i pulsanti sono disabilitati.

**Per annullare:** In modalità sicurezza bambini, tenere premuto il pulsante BLOCCO per 3 secondi, la spia si spegne.

## **COTTURA AUTOMATICA**

Per gli alimenti riportati di seguito o per le modalità di cottura seguenti non è necessario programmare l'ora e la potenza di cottura. È sufficiente indicare il tipo di cibo che si desidera cucinare, nonché il peso o le porzioni di questo alimento.

1. In modalità standby, ruotare una volta la manopola MENÙ/ORA in senso antiorario e poi ruotarla per selezionare il codice degli alimenti.
2. Premere il pulsante AVVIO/AVVIO RAPIDO una volta.
3. Ruotare la manopola MENÙ/ORA per selezionare il peso degli alimenti o le porzioni.
4. Premere il pulsante AVVIO/AVVIO RAPIDO per confermare.

### **Menù di cottura automatica:**

Codice	Alimenti	Nota
A-1	Latte/caffè (200 ml/tazza, 1-3 tazze)	1. Per i punti A-7, A-8 e A-9, durante la cottura, il sistema si fermerà per ricordare di girare gli alimenti, quindi preme AVVIO/AVVIO RAPIDO per riprendere lo scongelamento. 2. Il risultato della cottura automatica dipende da fattori quali la forma e le dimensioni degli alimenti, le vostre preferenze personali per quanto riguarda il grado di cottura di alcuni alimenti e anche con che cura introducete gli alimenti nel forno stesso. Se il risultato non dovesse comunque risultare soddisfacente, regolare di conseguenza il tempo di cottura.
A-2	Riso (150-600 g)	
A-3	Spaghetti (100-300 g)	
A-4	Patate (230 g/per porzione, 1-2 porzioni)	
A-5	Riscaldamento automatico (200-800 g)	
A-6	Pesce (200-600 g)	
A-7	Pollo (800-1400 g)	
A-8	Carne di manzo/montone (200-600 g)	
A-9	Spiedini (100-500 g)	

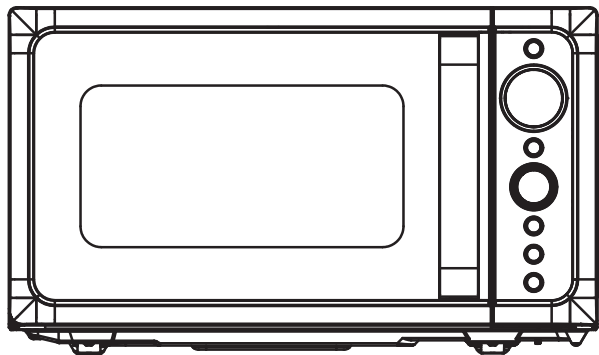
# Pulizia e manutenzione

1. Spegnerne il forno e togliere il cavo di alimentazione dalla presa a muro prima della pulizia.
2. Pulizia all' interno del vano cottura. Quando schizzi di alimenti o liquidi versati aderiscono alle pareti del forno, strofinare con un panno umido. Se il forno è molto sporco, è possibile utilizzare un detergente delicato. Evitare l'uso di spray o altri detergenti aggressivi. Possono macchiare, striare o opacizzare la superficie dello sportello.
3. La parte esterna del forno deve essere pulita con un panno umido. Per evitare danni alle parti operative all'interno del forno, non lasciare che l'acqua penetri nelle aperture di ventilazione.
4. Pulire lo sportello e il vetro su entrambi i lati, le guarnizioni dello sportello e le parti adiacenti frequentemente con un panno umido per rimuovere eventuali fuoriuscite o spruzzi. Non utilizzare detergenti aggressivi.
5. Si sconsiglia l'utilizzo di una pulitrice a vapore.
6. Non lasciare che il pannello di controllo si bagni. Pulire con un panno morbido e umido. Durante la pulizia del pannello di controllo, lasciare lo sportello del forno aperto per evitare che il forno si accenda accidentalmente.
7. Se il vapore si accumula all'interno o all'esterno dello sportello del forno, strofinare con un panno morbido. Ciò può verificarsi quando il forno a microonde viene utilizzato in condizioni di elevata umidità. Tutto questo è normale.
8. Occasionalmente è necessario rimuovere il vassoio in vetro per la pulizia. Lavare il vassoio in acqua tiepida insaponata o in lavastoviglie.
9. L'anello a rulli e il fondo del forno devono essere puliti regolarmente per evitare rumori eccessivi. Pulire semplicemente la superficie inferiore del forno con un detergente delicato. L'anello a rulli può essere lavato in acqua tiepida insaponata o in lavastoviglie. Quando si toglie l'anello a rulli, assicurarsi di riposizionarlo nella posizione corretta.
10. Eliminare gli odori dal forno mescolando una tazza d'acqua con il succo e la buccia di un limone in una ciotola adatta per microonde. Riscaldarla nel microonde per 5 minuti. Risciacquare accuratamente e asciugare con uno panno morbido.
11. Se la lampadina si brucia, si prega di contattare il servizio clienti per farla sostituire.
12. Il forno deve essere pulito regolarmente togliendo gli eventuali depositi di alimenti. La mancata conservazione del forno in condizioni di pulizia può portare ad un deterioramento della superficie che potrebbe compromettere la durata dell'elettrodomestico e causare una situazione di pericolo.



13. Non gettare l'elettrodomestico insieme ai rifiuti domestici; deve essere smaltito in un apposito centro di smaltimento messo a disposizione dai comuni.
14. Quando il forno a microonde con funzione grill viene utilizzato per la prima volta, può produrre un leggero fumo e odore. Si tratta di un fenomeno normale perché il forno è costituito da una piastra di acciaio rivestita di olio lubrificante e il forno nuovo produrrà fumi e odori generati dalla combustione dell'olio lubrificante. Questo fenomeno scomparirà dopo un periodo di utilizzo.

# Οδηγίες φούρνου μικροκυμάτων



Μοντέλο: DIVO G20CR  
DIVO G20CC  
DIVO G20CMB  
DIVO G20CO  
DIVO G20CG

Διαβάστε προσεκτικά αυτές τις οδηγίες πριν από την εγκατάσταση  
και τη λειτουργία του φούρνου.

## ΔΗΛΩΣΗ ΣΥΜΜΟΡΦΩΣΗΣ

---



Τοποθετώντας το σήμα σε αυτό το προϊόν, επιβεβαιώνουμε τη συμμόρφωση με όλες τις σχετικές ευρωπαϊκές απαιτήσεις ασφάλειας, υγείας και περιβάλλοντος που ισχύουν στη νομοθεσία για αυτό το προϊόν.

## ΔΙΑΧΕΙΡΙΣΗ ΑΠΟΒΛΗΤΩΝ ΚΑΙ ΠΡΟΣΤΑΣΙΑ ΤΟΥ ΠΕΡΙΒΑΛΛΟΝΤΟΣ

---



Αυτή η συσκευή φέρει ετικέτα σύμφωνα με την Ευρωπαϊκή Οδηγία 2012/19 / ΕΕ σχετικά με τις ηλεκτρικές και ηλεκτρονικές συσκευές (ΑΗΗΕ). Τα ΑΗΗΕ περιέχουν τόσο ρυπογόνες ουσίες (που μπορούν να έχουν αρνητικές επιπτώσεις στο περιβάλλον) όσο και βασικά στοιχεία (που μπορούν να επαναχρησιμοποιηθούν). Είναι σημαντικό τα ΑΗΗΕ να υποβάλλονται σε ειδικές επεξεργασίες για την σωστή απομάκρυνση και διάθεση των ρύπων και ανάκτηση όλων των υλικών. Τα άτομα μπορούν να διαδραματίσουν σημαντικό ρόλο στην εξασφάλιση ότι τα ΑΗΗΕ δεν θα αποτελέσουν περιβαλλοντικό πρόβλημα. είναι απαραίτητο να ακολουθήσουμε μερικούς βασικούς κανόνες:

-Τα ΑΗΗΕ δεν πρέπει να αντιμετωπίζονται ως οικιακά απόβλητα;

-Τα ΑΗΗΕ θα πρέπει να μεταφέρονται σε αποκλειστικούς χώρους συλλογής που διαχειρίζονται το δημοτικό συμβούλιο ή μια καταχωρημένη εταιρεία

Σε πολλές χώρες, ενδέχεται να υπάρχουν εγχώριες συλλογές για μεγάλα ΑΗΗΕ. Όταν αγοράζετε μια νέα συσκευή, το παλιό μπορεί να επιστραφεί στον πωλητή, ο οποίος πρέπει να το δεχτεί δωρεάν ως εφάπαξ, εφόσον η συσκευή είναι ισοδύναμου τύπου και έχει τις ίδιες λειτουργίες με την αγορά της συσκευής.

# Περιεχόμενα

<b>ΠΕΡΙΕΧΟΜΕΝΑ</b> .....	<b>2</b>
<b>ΠΡΟΦΥΛΑΞΕΙΣ ΓΙΑ ΤΗΝ ΑΠΟΦΥΓΗ ΠΙΘΑΝΗΣ ΕΚΘΕΣΗΣ ΣΕ ΥΠΕΡΒΟΛΙΚΗ ΕΝΕΡΓΕΙΑ ΜΙΚΡΟΚΥΜΑΤΩΝ</b> .....	<b>3</b>
<b>ΣΗΜΑΝΤΙΚΕΣ ΟΔΗΓΙΕΣ ΑΣΦΑΛΕΙΑΣ</b> .....	<b>3</b>
<b>ΟΔΗΓΟΣ ΕΓΚΑΤΑΣΤΑΣΗΣ</b> .....	<b>6</b>
<b>ΟΔΗΓΙΕΣ ΓΕΙΩΣΗΣ</b> .....	<b>6</b>
<b>ΡΑΔΙΟΗΛΕΚΤΡΙΚΕΣ ΠΑΡΕΜΒΟΛΕΣ</b> .....	<b>7</b>
<b>ΠΡΙΝ ΚΑΛΕΣΕΤΕ ΓΙΑ ΤΕΧΝΙΚΗ ΥΠΟΣΤΗΡΙΞΗ</b> .....	<b>7</b>
<b>ΤΕΧΝΙΚΕΣ ΜΑΓΕΙΡΕΜΑΤΟΣ</b> .....	<b>8</b>
<b>ΟΔΗΓΟΣ ΜΑΓΕΙΡΙΚΩΝ ΣΚΕΥΩΝ</b> .....	<b>8</b>
<b>ΠΡΟΔΙΑΓΡΑΦΕΣ</b> .....	<b>9</b>
<b>ΔΙΑΓΡΑΜΜΑ ΠΡΟΪΟΝΤΟΣ</b> .....	<b>9</b>
<b>ΠΙΝΑΚΑΣ ΕΛΕΓΧΟΥ</b> .....	<b>10</b>
<b>ΟΔΗΓΙΕΣ ΧΡΗΣΗΣ</b> .....	<b>11</b>
ΡΥΘΜΙΣΗ ΤΟΥ ΡΟΛΟΓΙΟΥ .....	11
ΓΡΗΓΟΡΗ ΕΚΚΙΝΗΣΗ .....	11
ΜΑΓΕΙΡΕΜΑ ΜΙΚΡΟΚΥΜΑΤΩΝ .....	12
ΓΚΡΙΛ .....	12
ΓΡΗΓΟΡΗ ΑΠΟΨΥΞΗ .....	13
ΜΑΓΕΙΡΕΜΑ ΠΟΛΛΑΠΛΩΝ ΣΤΑΔΙΩΝ .....	13
ΛΕΙΤΟΥΡΓΙΑ ΣΙΓΑΣΗΣ ΤΟΥ ΗΧΟΥ .....	13
ΠΑΙΔΙΚΗ ΑΣΦΑΛΕΙΑ .....	13
ΑΥΤΟΜΑΤΟ ΜΑΓΕΙΡΕΜΑ .....	14
<b>ΚΑΘΑΡΙΣΜΟΣ ΚΑΙ ΦΡΟΝΤΙΔΑ</b> .....	<b>15</b>

# ΠΡΟΦΥΛΑΞΕΙΣ ΓΙΑ ΤΗΝ ΑΠΟΦΥΓΗ ΠΙΘΑΝΗΣ ΕΚΘΕΣΗΣ ΣΕ ΥΠΕΡΒΟΛΙΚΗ ΕΝΕΡΓΕΙΑ ΜΙΚΡΟΚΥΜΑΤΩΝ

1. Μην επιχειρήσετε να λειτουργήσετε αυτό το φούρνο με την πόρτα ανοιχτή, καθώς η λειτουργία με ανοικτή την πόρτα μπορεί να έχει ως αποτέλεσμα επιβλαβή έκθεση στην ενέργεια μικροκυμάτων. Είναι σημαντικό να μην καταστρέψετε ή να μην επεμβαίνετε στις κλειδαριές ασφαλείας.
2. Μην τοποθετείτε αντικείμενα μεταξύ της πρόσοψης του φούρνου και της πόρτας και μην αφήνετε να συσσωρεύονται βρωμιά ή υπολείμματα καθαριστικών στις επιφάνειες σφράγισης.
3. Μην χρησιμοποιείτε το φούρνο εάν έχει υποστεί ζημιά. Είναι πολύ σημαντικό η πόρτα του φούρνου να κλείνει σωστά και να μην υπάρχει ζημιά στην
  - a) Πόρτα (συμπεριλαμβανομένης οποιασδήποτε λυγισμένης πόρτας),
  - b) Μεντεσέδες και μάνδαλα (σπασμένα ή χαλαρά),
  - c) Τσιμούχες θυρών και επιφάνειες σφράγισης.
4. Ο φούρνος δεν πρέπει να ρυθμίζεται ή να επισκευάζεται από κανέναν εκτός από εξειδικευμένο προσωπικό τεχνικής εξυπηρέτησης.

## ΣΗΜΑΝΤΙΚΕΣ ΟΔΗΓΙΕΣ ΑΣΦΑΛΕΙΑΣ

Κατά τη χρήση ηλεκτρικών συσκευών πρέπει να τηρούνται οι βασικές προφυλάξεις ασφαλείας, συμπεριλαμβανομένων των ακόλουθων:

**ΠΡΟΕΙΔΟΠΟΙΗΣΗ!**—Για να μειώσετε τον κίνδυνο εγκαυμάτων, ηλεκτροπληξίας, πυρκαγιάς, τραυματισμών ή έκθεσης σε υπερβολική ενέργεια μικροκυμάτων:

1. Διαβάστε όλες τις οδηγίες πριν χρησιμοποιήσετε τη συσκευή και φυλάξτε τις για μελλοντική αναφορά.
2. Χρησιμοποιήστε αυτή τη συσκευή μόνο για τη χρήση για την οποία προορίζεται, όπως περιγράφεται στο εγχειρίδιο. Μην χρησιμοποιείτε διαβρωτικές χημικές ουσίες ή ατμούς σε αυτή τη συσκευή. Αυτός ο τύπος φούρνου έχει σχεδιαστεί ειδικά για να θερμαίνει, να μαγειρεύει ή να στεγνώνει τρόφιμα. Δεν έχει σχεδιαστεί για βιομηχανική ή εργαστηριακή χρήση.
3. Μην λειτουργείτε το φούρνο όταν είναι άδειος.
4. Μην χρησιμοποιείτε τη συσκευή εάν έχει φθαρεί το καλώδιο ή το βύσμα, εάν δεν λειτουργεί σωστά ή εάν έχει υποστεί ζημιά ή έχει πέσει. Εάν έχει προκληθεί ζημιά στο

- καλώδιο τροφοδοσίας, πρέπει να αντικατασταθεί από τον κατασκευαστή ή από τον εξουσιοδοτημένο τεχνικό του ή άτομο με παρόμοια τεχνική κατάρτιση έτσι ώστε να αποφευχθεί οποιοσδήποτε κίνδυνος.
5. **ΠΡΟΕΙΔΟΠΟΙΗΣΗ!**--Να επιτρέπεται στα παιδιά να χρησιμοποιούν το φούρνο χωρίς επίβλεψη μόνο όταν έχουν δοθεί επαρκείς οδηγίες έτσι ώστε το παιδί να μπορεί να χρησιμοποιεί το φούρνο με ασφαλή τρόπο και να κατανοεί τους κινδύνους ακατάλληλης χρήσης.
  6. **ΠΡΟΕΙΔΟΠΟΙΗΣΗ!**--Όταν η συσκευή λειτουργεί σε λειτουργία συνδυασμού, τα παιδιά πρέπει να χρησιμοποιούν το φούρνο μόνο υπό την επίβλεψη ενήλικου λόγω των θερμοκρασιών που παράγονται
  7. Για να μειωθεί ο κίνδυνος πυρκαγιάς μέσα στην κοιλότητα του φούρνου:
    - Όταν θερμαίνετε τρόφιμα σε πλαστικό ή χάρτινο δοχείο, ελέγχετε συχνά το φούρνο ως προς την πιθανότητα ανάφλεξης.
    - Αφαιρέστε τις συστροφές σύρματος από χάρτινες ή πλαστικές σακούλες πριν τοποθετήσετε τη σακούλα στο φούρνο.
    - Εάν παρατηρηθεί καπνός, απενεργοποιήστε ή αποσυνδέστε τη συσκευή και κρατήστε την πόρτα κλειστή για να καταπνίξετε τυχόν φλόγες.
    - Μη χρησιμοποιείτε την κοιλότητα για σκοπούς φύλαξης. Μην αφήνετε προϊόντα χαρτιού, μαγειρικά σκεύη ή τρόφιμα στην κοιλότητα όταν δεν χρησιμοποιούνται.
    - Ο φούρνος μικροκυμάτων προορίζεται για τη θέρμανση τροφίμων και ποτών. Το στέγνωμα των ρούχων και η θέρμανση των θερμαντικών επιθεμάτων, των παντελονιών, των σπόγγων, των νωπών υφασμάτων και παρόμοιων ειδών μπορεί να οδηγήσει σε κίνδυνο τραυματισμού, ανάφλεξης ή πυρκαγιάς.
  8. **ΠΡΟΕΙΔΟΠΟΙΗΣΗ!**--Τα υγρά ή άλλα τρόφιμα δεν πρέπει να θερμαίνονται σε σφραγισμένα δοχεία, καθώς υπάρχει κίνδυνος έκρηξης.
  9. Η θέρμανση του αναψυκτικού με μικροκύματα μπορεί να έχει ως αποτέλεσμα καθυστερημένο εκρηκτικό βρασμό, επομένως απαιτείται προσοχή κατά το χειρισμό του δοχείου.
  10. Μην τηγανίζετε φαγητό στο φούρνο. Το καυτό λάδι μπορεί να βλάψει τα μέρη του φούρνου και τα σκεύη, ακόμη και να προκαλέσει εγκαύματα στο δέρμα.
  11. Τα αυγά με το κέλυφός τους και τα ολόκληρα βρασμένα αυγά δεν πρέπει να θερμαίνονται σε φούρνους μικροκυμάτων, δεδομένου ότι ενδέχεται να εκραγούν ακόμη και μετά το τέλος της θέρμανσης με μικροκύματα.
  12. Τρυπήστε τρόφιμα με βαριά δέρματα όπως πατάτες, ολόκληρα κολοκύθια, μήλα και κάστανα πριν από το μαγείρεμα.
  13. Το περιεχόμενο των φιαλών σίτισης και των δοχείων για βρέφη θα πρέπει να ανακατεύεται ή να ανακινείται και η θερμοκρασία θα πρέπει να ελέγχεται πριν από το σερβίρισμα προκειμένου να αποφεύγονται εγκαύματα.
  14. Τα μαγειρικά σκεύη μπορεί να θερμανθούν λόγω της θερμότητας που μεταφέρεται από τα θερμαινόμενα τρόφιμα. Μπορεί να χρειαστούν ποτηροθήκες για το χειρισμό των σκευών.
  15. Τα εξαρτήματα θα πρέπει να ελέγχονται για να διασφαλίζεται ότι είναι κατάλληλα για χρήση σε φούρνο μικροκυμάτων.
  16. **ΠΡΟΕΙΔΟΠΟΙΗΣΗ!**--Είναι επικίνδυνο για οποιονδήποτε εκτός από ένα εκπαιδευμένο άτομο να εκτελεί οποιαδήποτε εργασία συντήρησης ή επισκευής που περιλαμβάνει την αφαίρεση οποιουδήποτε καλύμματος που παρέχει προστασία από την έκθεση σε ενέργεια μικροκυμάτων.
  17. Αυτός ο φούρνος μικροκυμάτων συμμορφώνεται με το πρότυπο EN 55011/CISPR 11, στο οποίο ανήκει στην κατηγορία Β της ομάδας 2. Εξοπλισμός ομάδας 2: η ομάδα

- 2 περιέχει όλο τον εξοπλισμό ISM RF στον οποίο η ενέργεια ραδιοσυχνοτήτων στο εύρος συχνοτήτων 9 kHz έως 400 GHz παράγεται σκόπιμα και χρησιμοποιείται ή χρησιμοποιείται μόνο τοπικά, με τη μορφή ηλεκτρομαγνητικής ακτινοβολίας, επαγωγικής και/ή χωρητικής ζεύξης, για την επεξεργασία του υλικού, για σκοπούς επιθεώρησης/ανάλυσης, ή για μεταφορά ηλεκτρομαγνητικής ενέργειας. Ο εξοπλισμός της κατηγορίας Β είναι εξοπλισμός κατάλληλος για χρήση σε τοποθεσίες σε οικιστικά περιβάλλοντα και σε εγκαταστάσεις που συνδέονται άμεσα με δίκτυο τροφοδοσίας χαμηλής τάσης το οποίο τροφοδοτεί κτίρια που χρησιμοποιούνται για οικιακούς σκοπούς.
18. Αυτή η συσκευή δεν προορίζεται για χρήση από άτομα (συμπεριλαμβανομένων των παιδιών) με μειωμένες σωματικές, αισθητηριακές ή διανοητικές ικανότητες ή έλλειψη εμπειρίας και γνώσης, εκτός εάν τους έχουν δοθεί οδηγίες αναφορικά με τη χρήση της συσκευής από ένα άτομο που είναι υπεύθυνο για την ασφάλεια τους.
  19. Τα παιδιά θα πρέπει να επιβλέπονται ώστε να διασφαλίζεται ότι δεν παίζουν με τη συσκευή.
  20. Ο φούρνος μικροκυμάτων χρησιμοποιείται μόνο σε ανεξάρτητη θέση.
  21. **ΠΡΟΕΙΔΟΠΟΙΗΣΗ!**--Μην τοποθετείτε φούρνο επάνω σε φούρνο μαγειρέματος ή άλλη συσκευή παραγωγής θερμότητας. Εάν τοποθετηθεί μπορεί να μπορεί να καταστραφεί και η εγγύηση δεν θα ισχύει.
  22. Ο φούρνος μικροκυμάτων δεν πρέπει να τοποθετείται μέσα σε ένα ντουλάπι.
  23. Η πόρτα ή η εξωτερική επιφάνεια μπορεί να θερμανθεί όταν η συσκευή λειτουργεί.
  24. **ΠΡΟΕΙΔΟΠΟΙΗΣΗ!**--Τα προσβάσιμα εξαρτήματα ενδέχεται να θερμανθούν κατά τη χρήση. Τα μικρά παιδιά πρέπει να κρατούνται μακριά.
  25. Κατά την διάρκεια της χρήσης οι συσκευές θερμαίνονται πολύ. Πρέπει να λαμβάνεται μέριμνα ώστε να αποφεύγεται η επαφή των θερμαντικών στοιχείων στο εσωτερικό του φούρνου, για το εύρος μαγειρέματος και τους φούρνους.
  26. Η θερμοκρασία των προσβάσιμων επιφανειών μπορεί να είναι υψηλή όταν η συσκευή λειτουργεί.
  27. Η συσκευή δεν πρέπει να χρησιμοποιείται από παιδιά ή άτομα με μειωμένες σωματικές, αισθητηριακές ή πνευματικές ικανότητες ή έλλειψη εμπειρίας και γνώσης, εκτός εάν τους έχει δοθεί επίβλεψη ή οδηγίες.
  28. **ΠΡΟΕΙΔΟΠΟΙΗΣΗ!**--Σε περίπτωση βλάβης των τσιμουχών της πόρτας ή της πόρτας, ο φούρνος δεν πρέπει να λειτουργεί έως ότου επισκευαστεί από αρμόδιο άτομο.
  29. Οι οδηγίες χρήσης αναφέρουν ότι οι συσκευές δεν προορίζονται να λειτουργούν με εξωτερικό χρονοδιακόπτη ή χωριστό σύστημα τηλεχειρισμού.
  30. Ο φούρνος μικροκυμάτων προορίζεται μόνο για οικιακή χρήση και όχι για εμπορική χρήση.
  31. Μην αφαιρείτε ποτέ τη διάταξη συγκράτησης απόστασης στο πίσω μέρος ή στα πλάγια, καθώς εξασφαλίζει μια ελάχιστη απόσταση από τον τοίχο για την κυκλοφορία του αέρα.
  32. Ασφαλίστε την περιστρεφόμενη βάση πριν μετακινήσετε τη συσκευή για να αποφύγετε ζημιές.
  33. **ΠΡΟΣΟΧΗ!**--Είναι επικίνδυνο να επισκευάσετε ή να συντηρήσετε τη συσκευή από κάποιον που δεν είναι ειδικός, διότι υπό αυτές τις συνθήκες πρέπει να αφαιρέσετε το κάλυμμα που εξασφαλίζει την προστασία από την ακτινοβολία μικροκυμάτων. Αυτό ισχύει και για την αλλαγή του καλωδίου τροφοδοσίας ή του φωτισμού. Στείλτε τη συσκευή σε αυτές τις περιπτώσεις στο κέντρο επισκευής μας.
  34. Ο φούρνος μικροκυμάτων προορίζεται μόνο για την απόψυξη, το μαγείρεμα και τον

- ατμό των τροφίμων.
35. Χρησιμοποιήστε γάντια αν αφαιρέσετε τυχόν τρόφιμα που έχουν θερμανθεί.
  36. Προσοχή! Ο ατμός θα διαφύγει, όταν ανοίγετε τα καπάκια ή το αλουμινόχαρτο περιτυλίγματος.
  37. Αυτή η συσκευή μπορεί να χρησιμοποιηθεί από παιδιά ηλικίας 8 ετών ή μεγαλύτερα και από άτομα με μειωμένες σωματικές, αισθητηριακές ή διανοητικές ικανότητες ή έλλειψη εμπειρίας και γνώσης εάν είναι υπό επίβλεψη ή τους έχουν δοθεί οδηγίες αναφορικά με τη χρήση της συσκευής με ασφαλή τρόπο και έχουν κατανοήσει τους κινδύνους που ενέχονται. Τα παιδιά δεν θα πρέπει να παίζουν με την συσκευή. Ο καθαρισμός και η συντήρηση από το χρήστη δεν πρέπει να γίνονται από παιδιά εκτός εάν είναι ηλικίας 8 ετών και άνω και επιβλέπονται.
  38. Εάν εκπέμπεται καπνός, απενεργοποιήστε ή αποσυνδέστε τη συσκευή και κρατήστε την πόρτα κλειστή για να καταπνίξετε τυχόν φλόγες.

## Οδηγός εγκατάστασης

1. Βεβαιωθείτε ότι όλα τα υλικά συσκευασίας έχουν αφαιρεθεί από το εσωτερικό της πόρτας.
2. **ΠΡΟΕΙΔΟΠΟΙΗΣΗ!**--Ελέγξτε το φούρνο για τυχόν ζημιές, όπως εσφαλμένα ευθυγραμμισμένη ή λυγισμένη πόρτα, χαλασμένες τσιμούχες και επιφάνειες στεγανοποίησης, σπασμένους ή χαλαρούς μεντεσέδες και κλειδαριές πόρτας και βαθουλώματα μέσα στον θάλαμο ή στην πόρτα. Εάν υπάρχει οποιαδήποτε ζημιά, μην χρησιμοποιείτε το φούρνο και επικοινωνήστε με εξειδικευμένο προσωπικό τεχνικής εξυπηρέτησης.
3. Αυτός ο φούρνος μικροκυμάτων πρέπει να τοποθετείται σε επίπεδη, σταθερή επιφάνεια για να συγκρατεί το βάρος του και το βαρύτερο φαγητό που μπορεί να μαγειρευτεί στο φούρνο.
4. Μην τοποθετείτε το φούρνο όπου παράγεται θερμότητα, υγρασία ή υψηλή υγρασία ή κοντά σε εύφλεκτα υλικά.
5. Για τη σωστή λειτουργία, ο φούρνος πρέπει να έχει επαρκή ροή αέρα. Αφήστε τουλάχιστον 20 cm ελεύθερου χώρου πάνω από την άνω επιφάνεια του φούρνου και 5 cm και στις δύο πλευρές. Η οπίσθια πλάκα του φούρνου μικροκυμάτων πρέπει να τοποθετείται κοντά στον τοίχο. Μην καλύπτετε και μην μπλοκάρετε τυχόν ανοίγματα της συσκευής. Μην αφαιρείτε τα πόδια.
6. Μην λειτουργείτε το φούρνο χωρίς τον γυάλινο δίσκο, το στήριγμα κυλίνδρου, και τον άξονα στις σωστές θέσεις τους.
7. Βεβαιωθείτε ότι το καλώδιο τροφοδοσίας είναι άθικτο και δεν λειτουργεί κάτω από το φούρνο ή πάνω από οποιαδήποτε θερμή ή αιχμηρή επιφάνεια.
8. Η πρίζα πρέπει να είναι εύκολα προσβάσιμη ώστε να μπορεί εύκολα να αποσυνδεθεί σε περίπτωση έκτακτης ανάγκης.
9. Μην χρησιμοποιείτε το φούρνο σε εξωτερικούς χώρους.

## ΟΔΗΓΙΕΣ ΓΕΙΩΣΗΣ

Αυτή η συσκευή πρέπει να γειωθεί. Αυτός ο φούρνος είναι εξοπλισμένος με καλώδιο που έχει καλώδιο γείωσης με βύσμα γείωσης. Πρέπει να είναι συνδεδεμένο σε πρίζα τοίχου που είναι σωστά τοποθετημένη και γειωμένη. Σε περίπτωση ηλεκτρικού



βραχυκυκλώματος, η γείωση μειώνει τον κίνδυνο ηλεκτροπληξίας παρέχοντας ένα σύρμα διαφυγής για το ηλεκτρικό ρεύμα. Συνιστάται να παρέχεται ξεχωριστό κύκλωμα που να εξυπηρετεί μόνο το φούρνο. Η χρήση υψηλής τάσης είναι επικίνδυνη και μπορεί να οδηγήσει σε πυρκαγιά ή άλλο ατύχημα που θα προκαλέσει ζημιά στο φούρνο.

**ΠΡΟΕΙΔΟΠΟΙΗΣΗ!**--Η ακατάλληλη χρήση του βύσματος γείωσης μπορεί να οδηγήσει σε κίνδυνο ηλεκτροπληξίας.

Σημείωση:

1. Εάν έχετε απορίες σχετικά με τις οδηγίες γείωσης ή τις ηλεκτρικές οδηγίες, συμβουλευτείτε εξειδικευμένο ηλεκτρολόγο ή τεχνικό από την τεχνική εξυπηρέτηση.
2. Ούτε ο κατασκευαστής ούτε ο αντιπρόσωπος μπορούν να αποδεχθούν οποιαδήποτε ευθύνη για ζημιά στο φούρνο ή τραυματισμό που προκύπτει από τη μη τήρηση των διαδικασιών ηλεκτρικής σύνδεσης.

Τα καλώδια σε αυτό το καλώδιο έχουν χρωματιστεί σύμφωνα με τον ακόλουθο κώδικα:

**Πράσινο και κίτρινο = ΓΕΙΩΣΗ**

**Μπλε = ΟΥΔΕΤΕΡΟΣ**

**Καφέ = ΦΑΣΗ**

## Ραδιοηλεκτρικές Παρεμβολές

Η λειτουργία του φούρνου μικροκυμάτων μπορεί να προκαλέσει παρεμβολές στο ραδιόφωνο, την τηλεόραση ή παρόμοιο εξοπλισμό. Όταν υπάρχει παρεμβολή, μπορεί να μειωθεί ή να εξαλειφθεί με τη λήψη των ακόλουθων μέτρων:

1. Καθαρίστε την πόρτα και την επιφάνεια σφράγισης του φούρνου.
2. Επαναπροσανατολίστε την κεραία λήψης του ραδιοφώνου ή της τηλεόρασης.
3. Μετακινήστε το φούρνο μικροκυμάτων σε σχέση με το δέκτη.
4. Μετακινήστε το φούρνο μικροκυμάτων μακριά από το δέκτη.
5. Συνδέστε το φούρνο μικροκυμάτων σε διαφορετική πρίζα έτσι ώστε ο φούρνος μικροκυμάτων και ο δέκτης να βρίσκονται σε διαφορετικά κυκλώματα διακλάδωσης.

## Πριν καλέσετε για τεχνική υποστήριξη

Πριν ζητήσετε τεχνική υποστήριξη, ελέγξτε κάθε στοιχείο παρακάτω:

- Ελέγξτε για να βεβαιωθείτε ότι ο φούρνος είναι συνδεδεμένος με ασφάλεια. Εάν όχι, αφαιρέστε το βύσμα από την πρίζα, περιμένετε 10 δευτερόλεπτα και συνδέστε το ξανά με ασφάλεια.
- Ελέγξτε για καμένη ασφάλεια κυκλώματος ή ενεργοποιημένο κεντρικό ασφαλειοδιακόπτη. Αν αυτά φαίνονται να λειτουργούν σωστά, δοκιμάστε την πρίζα με άλλη συσκευή.
- Ελέγξτε για να βεβαιωθείτε ότι ο πίνακας ελέγχου έχει προγραμματιστεί σωστά και ότι ο χρονοδιακόπτης έχει ρυθμιστεί.
- Ελέγξτε για να βεβαιωθείτε ότι η πόρτα είναι καλά κλειστή, ενεργοποιώντας το σύστημα κλειδώματος της πόρτας. Αν η πόρτα δεν κλείσει σωστά, η ενέργεια μικροκυμάτων δεν θα ρέει μέσα.

ΕΑΝ ΚΑΝΕΝΑ ΑΠΟ ΤΑ ΠΑΡΑΠΑΝΩ ΔΕΝ ΔΙΟΡΘΩΝΕΙ ΤΗΝ ΚΑΤΑΣΤΑΣΗ, ΕΠΙΚΟΙΝΩΝΗΣΤΕ ΜΕ ΕΝΑΝ ΕΞΕΙΔΙΚΕΥΜΕΝΟ ΤΕΧΝΙΚΟ. ΜΗΝ ΠΡΟΣΠΑΘΗΣΕΤΕ ΝΑ ΡΥΘΜΙΣΕΤΕ Ή ΝΑ ΕΠΙΣΚΕΥΑΣΕΤΕ ΤΟ ΦΟΥΡΝΟ ΜΟΝΟΙ ΣΑΣ.

## Τεχνικές μαγειρέματος

1. Τακτοποιήστε το φαγητό προσεκτικά. Τοποθετήστε τις πιο πυκνές περιοχές προς τα έξω από το πιάτο.
2. Παρακολουθήστε το χρόνο μαγειρέματος. Μαγειρέψτε για το συντομότερο χρονικό διάστημα που υποδεικνύεται και προσθέστε περισσότερο, όπως απαιτείται. Τα πάρα πολύ ψημένα τρόφιμα μπορούν να καπνίσουν ή να αναφλεγούν.
3. Καλύψτε τα τρόφιμα ενώ μαγειρεύετε. Τα καλύμματα αποτρέπουν το πιτσίλισμα και βοηθούν τα τρόφιμα να μαγειρεύουν ομοιόμορφα.
4. Αναποδογυρίστε τα τρόφιμα μία φορά κατά τη διάρκεια του μαγειρέματος στο φούρνο μικροκυμάτων για να επιταχύνετε το μαγείρεμα τροφίμων όπως κοτόπουλο και χάμπουργκερ. Μεγάλα αντικείμενα όπως τα ψητά πρέπει να αναποδογυρίζονται τουλάχιστον μία φορά.
5. Αναδιατάξτε τα τρόφιμα όπως κεφτέδες στα μισά του μαγειρέματος τόσο από πάνω προς τα κάτω όσο και από το κέντρο του πιάτου προς τα έξω.

## Οδηγός μαγειρικών σκευών

1. Ο φούρνος μικροκυμάτων δεν μπορεί να διαπεράσει το μέταλλο. Χρησιμοποιείτε μόνο σκεύη κατάλληλα για χρήση σε φούρνους μικροκυμάτων. Τα μεταλλικά δοχεία για τρόφιμα και ποτά δεν επιτρέπονται κατά τη διάρκεια του μαγειρέματος στο φούρνο μικροκυμάτων. Η απαίτηση αυτή δεν ισχύει εάν ο κατασκευαστής καθορίζει το μέγεθος και το σχήμα των μεταλλικών δοχείων που είναι κατάλληλα για μαγείρεμα σε φούρνο μικροκυμάτων.
2. Ο φούρνος μικροκυμάτων δεν μπορεί να διεισδύσει στο μέταλλο, επομένως δεν πρέπει να χρησιμοποιούνται μεταλλικά σκεύη ή πιάτα με μεταλλικό φινίρισμα.
3. Μην χρησιμοποιείτε ανακυκλωμένα προϊόντα χαρτιού κατά το μαγείρεμα σε φούρνο μικροκυμάτων, καθώς μπορεί να περιέχουν μικρά μεταλλικά θραύσματα που μπορεί να προκαλέσουν σπινθήρες και/ή πυρκαγιές.
4. Συνιστώνται στρογγυλά/οβάλ πιάτα αντί για τετράγωνα/επιμήκη, καθώς το φαγητό στις γωνίες τείνει να παραψήνεται.
5. Στενές ταινίες από φύλλο αλουμινίου μπορούν να χρησιμοποιηθούν για την πρόληψη του υπερβολικού βρασμού των εκτεθειμένων περιοχών. Αλλά προσέξτε να μην χρησιμοποιήσετε πάρα πολύ και κρατήστε απόσταση 2,54 cm (1 ίντσα) μεταξύ του φύλλου αλουμινίου και του θαλάμου.

Η παρακάτω λίστα είναι ένας γενικός οδηγός που θα σας βοηθήσει να επιλέξετε τα σωστά σκεύη.

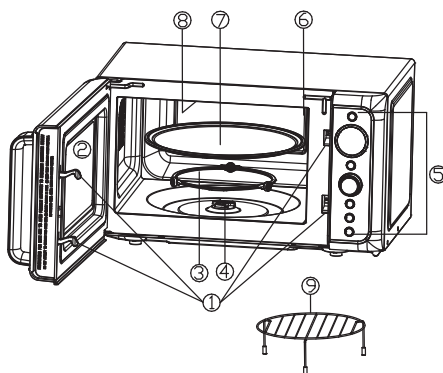
ΣΚΕΥΗ ΜΑΓΕΙΡΕΜΑΤΟΣ	MICROWAVE	ΓΚΡΙΑ	ΣΥΝΔΥΑΣΜΟΣ
Θερμοανθεκτικό γυαλί	Ναι	Ναι	Ναι
Γυαλί μη ανθεκτικό στη θερμότητα	Όχι	Όχι	Όχι
Θερμοανθεκτικά κεραμικά	Ναι	Ναι	Ναι
Πλαστικό πιάτο ασφαλές για μικροκύματα	Ναι	Όχι	Όχι
Χαρτί κουζίνας	Ναι	Όχι	Όχι
Μεταλλικός δίσκος	Όχι	Ναι	Όχι
Μεταλλική σχάρα	Όχι	Ναι	Όχι
Δοχεία από αλουμίνιο και αλουμινόχαρτο	Όχι	Ναι	Όχι

## Προδιαγραφές

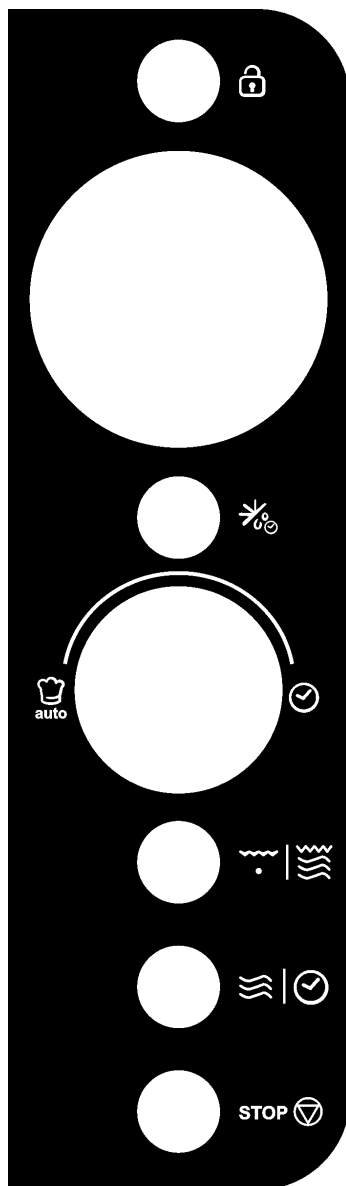
Κατανάλωση ισχύος:	230V/50Hz, 1200W (φούρνος μικροκυμάτων)
	900W (Grill)
Ονομαστική ισχύς εξόδου μικροκυμάτων:	700W
Συχνότητα λειτουργίας:	2450MHz
Εξωτερικές διαστάσεις:	262 mm (Υ)×452 mm(Π)×369 mm (Β)
Διαστάσεις θαλάμου φούρνου:	198mm (Υ)×315mm(Π)×297mm (Β)
Χωρητικότητα φούρνου:	20Litres
Καθαρό βάρος:	Περίπ.11kg

## Διάγραμμα προϊόντος

1. Σύστημα κλειδώματος πόρτας
2. Παράθυρο φούρνου
3. Κύλινδρος κύλισης
4. Άξονας
5. Πίνακας ελέγχου
6. Οδηγός κυμάτων (Παρακαλούμε να μην αφαιρεθεί η πλάκα μίκας που καλύπτει τον οδηγό κύματος)
7. Γυάλινος δίσκος
8. Θερμαντήρας σχάρας
9. Μεταλλική σχάρα



# Πίνακας ελέγχου



- **ΟΘΟΝΗ**

Εμφανίζονται ο χρόνος μαγειρέματος, η ισχύς, οι ενδείξεις και ο παρών χρόνος.

- **LOCK** 

Πιέστε για να ορίσετε τη λειτουργία σίγασης. Χρησιμοποιήστε το για να ρυθμίσετε το κλειδωμα παιδιών.

- **SPEED DEFROST** 

Πιέστε για να ρυθμίσετε το πρόγραμμα απόψυξης με βάση το χρόνο.

- **MENU/TIME (περιστρεφόμενο κουμπί)**  

Γυρίστε για να ρυθμίσετε την ώρα ή επιλέξετε το μενού αυτόματου μαγειρέματος.

- **START/QUICK START (το κουμπί)**

Πιέστε το κουμπί για να αρχίσετε το πρόγραμμα μαγειρέματος ή απόψυξης.

Απλά πατήστε το αρκετές φορές για να ρυθμίσετε το χρόνο μαγειρέματος και να μαγειρέψετε αμέσως σε επίπεδο πλήρους ισχύος.

- **GRILL/COMBI.** 

Πατήστε για να ρυθμίσετε το πρόγραμμα ψησίματος στη σχάρα.

Πατήστε για να επιλέξετε έναν από τους δύο συνδυασμούς ρυθμίσεων μαγειρέματος>.

- **POWER/CLOCK** 

Πατήστε για να ρυθμίσετε το επίπεδο ισχύος μαγειρικής μικροκυμάτων.

Πιέστε για να ρυθμίσετε την ώρα.

- **STOP/CANCEL** **STOP** 

Πατήστε μία φορά για να διακόψετε προσωρινά το μαγείρεμα ή δύο φορές για να ακυρώσετε εντελώς το μαγείρεμα.

# Οδηγίες Χρήσης

- Όταν ο φούρνος συνδεθεί για πρώτη φορά, θα ακουστεί ένας ήχος μπιπ και η οθόνη θα εμφανίσει "🕒" και "1:00".
- Κατά τη διαδικασία ρύθμισης, ο φούρνος διακόπτεται για περίπου 30 δευτερόλεπτα και επανέρχεται σε κατάσταση αναμονής.
- Κατά τη διάρκεια του μαγειρέματος, αν πατήσετε ΤΟ ΚΟΥΜΠΙ STOP/CANCEL μία φορά, το πρόγραμμα θα διακοπεί προσωρινά και στη συνέχεια πατήστε ΤΟ ΚΟΥΜΠΙ START/QUICK START για να συνεχίσετε, αλλά αν πατήσετε ΤΟ ΚΟΥΜΠΙ STOP/CANCEL δύο φορές, το πρόγραμμα θα ακυρωθεί.
- Μετά το τέλος του μαγειρέματος, η οθόνη θα εμφανίζει το τέλος με ήχο κάθε δύο λεπτά μέχρι ο χρήστης να πατήσει οποιοδήποτε κουμπί ή να ανοίξει την πόρτα.
- Το ηλεκτρονικό σύστημα ελέγχου του φούρνου μικροκυμάτων έχει το χαρακτηριστικό της ψύξης. Όσο για οποιαδήποτε λειτουργία μαγειρέματος με χρόνο μαγειρέματος άνω των 2 λεπτών, ανοίξτε την πόρτα ή σταματήστε, ο ανεμιστήρας του φούρνου θα λειτουργήσει περίπου 3 λεπτά αυτόματα για να κρυώσει ο φούρνος για την παράταση της διάρκειας ζωής του φούρνου.

## ΡΥΘΜΙΣΗ ΤΟΥ ΡΟΛΟΙΟΥ

Αυτό είναι ένα ρολόι 12 ή 24 ωρών. Μπορείτε να επιλέξετε να ρυθμίσετε την ώρα του ρολογιού σε 12 ή 24 ώρες πατώντας το κουμπί POWER/CLOCK σε κατάσταση αναμονής.

1. Σε κατάσταση αναμονής, πατήστε και κρατήστε πατημένο το κουμπί POWER/CLOCK για 3 δευτερόλεπτα για να επιλέξετε ρολόι 12 ωρών, πατήστε το ξανά για να επιλέξετε ρολόι 24 ωρών.
2. Περιστρέψτε κουμπί MENU/TIME για να ορίσετε το ψηφίο ώρας.
3. Πατήστε το κουμπί POWER/CLOCK μία φορά.
4. Περιστρέψτε το κουμπί MENU/TIME για να ορίσετε το ψηφίο λεπτού.
5. Πιέστε το κουμπί για επιβεβαίωση.

## ΓΡΗΓΟΡΗ ΕΚΚΙΝΗΣΗ

Χρησιμοποιήστε αυτή τη λειτουργία για να προγραμματίσετε τον φούρνο να ξεκινήσει με 100% ισχύ. Σε κατάσταση αναμονής, πατήστε επανειλημμένα το κουμπί START/QUICK START για να εισέλθετε στο χρόνο μαγειρέματος (κάθε πάτημα για αύξηση 30 δευτερολέπτων και έως 10 λεπτά), ο φούρνος θα ξεκινήσει αυτόματα στο 100% του επιπέδου τροφοδοσίας.

**ΣΗΜΕΙΩΣΗ:** Κατά το μαγείρεμα, μπορείτε να προσθέσετε χρόνο μαγειρέματος πατώντας το κουμπί START/QUICK START.

## ΜΑΓΕΙΡΕΜΑ ΜΙΚΡΟΚΥΜΑΤΩΝ

---

1. Πιέστε επανειλημμένα το πλήκτρο POWER/CLOCK για να επιλέξετε το επίπεδο ισχύος.
2. Περιστρέψτε το κουμπί MENU/TIME δεξιόστροφα για να εισάγετε το χρόνο μαγειρέματος. Ο μεγαλύτερος χρόνος είναι 95 λεπτά.
3. Πατήστε το κουμπί START/QUICK START.

### Επιλέξτε το επίπεδο ισχύος πατώντας το κουμπί POWER/CLOCK:

Πατήστε το κουμπί POWER/CLOCK	Ισχύς (Οθόνη)
Μία φορά	100% (100)
Δύο φορές	80% (80)
3 φορές	60% (60)
4 φορές	40% (40)
5 φορές	20% (20)
6 φορές	0% (00)

**ΣΗΜΕΙΩΣΗ:** Κατά τη διάρκεια του μαγειρέματος, μπορείτε να δείτε το τρέχον επίπεδο ισχύος πατώντας το κουμπί POWER/CLOCK.

## ΓΚΡΙΑ

---

Το ψήσιμο στη σχάρα είναι ιδιαίτερα χρήσιμο για λεπτές φέτες κρέατος, μπριζόλες, παϊδάκια, κεμπάπ, λουκάνικα και κομμάτια κοτόπουλου. Είναι επίσης κατάλληλο για ζεστά σάντουιτς και πιάτα ογκρατέν.

1. Πιέστε το πλήκτρο GRILL/COMBI. μία φορά.
2. Περιστρέψτε το κουμπί MENU/TIME για να ρυθμίσετε το χρόνο μαγειρέματος. Ο μεγαλύτερος χρόνος είναι 95 λεπτά.
3. Πατήστε START/QUICK START για επιβεβαίωση.

## ΣΥΝΔΥΑΣΜΟΣ

---

Το γκριλ λειτουργεί περισσότερο χρόνο από το φούρνο μικροκυμάτων σε συνδυασμό 1 λειτουργία μαγειρέματος, χρήση για ψάρι και ογκρατέν. Αλλά ο φούρνος μικροκυμάτων λειτουργεί περισσότερο χρόνο από το ψήσιμο στη σχάρα σε συνδυασμό με 2 τρόπους μαγειρέματος, τη χρήση για πουτίγκα, ομελέτες, ψητές πατάτες και πουλερικά.

1. Σε κατάσταση αναμονής, πατήστε το κουμπί GRILL/COMBI. δύο φορές ή 3 φορές για να επιλέξετε "Co-1" ή "Co-2".
2. Περιστρέψτε το κουμπί MENU/TIME για να ρυθμίσετε το χρόνο μαγειρέματος. Ο μεγαλύτερος χρόνος είναι 95 λεπτά.
3. Πατήστε START/QUICK START για επιβεβαίωση.

## ΓΡΗΓΟΡΗ ΑΠΟΨΥΞΗ

---

1. Σε κατάσταση αναμονής, πατήστε το κουμπί SPEED DEFROST μία φορά.
2. Περιστρέψτε το κουμπί MENU/TIME για να εισάγετε το χρόνο απόψυξης. Ο μεγαλύτερος χρόνος είναι 95 λεπτά.
3. Πιέστε το κουμπί START/QUICK START για επιβεβαίωση.

**ΣΗΜΕΙΩΣΗ:** Κατά τη διάρκεια του προγράμματος απόψυξης, το σύστημα θα σταματήσει και θα ηχήσει για να υπενθυμίσει στο χρήστη να γυρίσει το φαγητό ανάποδα, και στη συνέχεια να πατήσει το κουμπί START/QUICK START για να συνεχίσει.

## ΜΑΓΕΙΡΕΜΑ ΠΟΛΛΑΠΛΩΝ ΣΤΑΔΙΩΝ

---

Ο φούρνος σας μπορεί να προγραμματιστεί για έως και 3 αυτόματες ακολουθίες μαγειρέματος μικροκυμάτων.

Υποθέστε ότι θέλετε να ορίσετε το ακόλουθο πρόγραμμα μαγειρέματος:

Μαγείρεμα με μικροκύματα



Μαγείρεμα με μικροκύματα (με χαμηλότερο επίπεδο ισχύος)

1. Εισάγετε το πρώτο πρόγραμμα μαγειρέματος μικροκυμάτων. Μην πιέσετε START/QUICK START.
2. Εισάγετε το δεύτερο πρόγραμμα μαγειρέματος μικροκυμάτων.
3. Πιέστε το κουμπί START/QUICK START για επιβεβαίωση.

**ΣΗΜΕΙΩΣΗ:** Η γρήγορη εκκίνηση, η γρήγορη απόψυξη και τα μενού αυτόματου μαγειρέματος δεν μπορούν να ρυθμιστούν στο μαγείρεμα πολλαπλών σταδίων.

## ΛΕΙΤΟΥΡΓΙΑ ΣΙΓΑΣΗΣ ΤΟΥ ΗΧΟΥ

---

**Για ρύθμιση:** Σε κατάσταση αναμονής, πιέστε το κουμπί LOCK μία φορά και η οθόνη θα εμφανίσει την ένδειξη "oFF" για 3 δευτερόλεπτα. Από αυτή τη στιγμή, όλα τα προγράμματα και τα κουμπιά δεν έχουν άμεσο ήχο, και στη συνέχεια ο φούρνος θα επιστρέψει σε κατάσταση αναμονής.

**Για να ακυρώσετε:** Σε κατάσταση σίγασης, πατήστε το κουμπί LOCK μία φορά, η οθόνη θα εμφανίσει την ένδειξη "on" για 3 δευτερόλεπτα και θα ακουστεί ένας ήχος μπιπ. Από αυτή τη στιγμή, ο ήχος όλων των προγραμμάτων και κουμπιών επανέρχεται στο κανονικό και στη συνέχεια ο φούρνος επανέρχεται σε κατάσταση αναμονής.

## ΠΑΙΔΙΚΗ ΑΣΦΑΛΕΙΑ

---

Πιέστε για να αποτρέψετε τη λειτουργία του φούρνου από παιδιά χωρίς επίβλεψη.

**Για να ορίσετε:** Στη λειτουργία αναμονής, πατήστε και κρατήστε πατημένο το κουμπί LOCK για 3 δευτερόλεπτα, ο φούρνος θα εισέλθει αυτόματα στη λειτουργία κλειδώματος παιδιών και η ενδεικτική λυχνία κλειδώματος θα ανάψει. Στην κατάσταση κλειδώματος, όλα τα κουμπιά είναι απενεργοποιημένα.

**Για να ακυρώσετε:** Στη λειτουργία κλειδώματος παιδιών, πατήστε και κρατήστε πατημένο το κουμπί LOCK για 3 δευτερόλεπτα, η ενδεικτική λυχνία θα σβήσει.

## ΑΥΤΟΜΑΤΟ ΜΑΓΕΙΡΕΜΑ

Για τα τρόφιμα ή την ακόλουθη λειτουργία μαγειρέματος, δεν είναι απαραίτητο να προγραμματίσετε το χρόνο και την ισχύ μαγειρέματος. Αρκεί να αναφέρετε το είδος του φαγητού που θέλετε να μαγειρέψετε καθώς και το βάρος ή τις μερίδες του φαγητού.

1. Σε κατάσταση αναμονής, περιστρέψτε το κουμπί MENU/TIME αριστερόστροφα μία φορά, και στη συνέχεια περιστρέψτε το για να επιλέξετε τον κωδικό φαγητού.
2. Πατήστε το κουμπί START/QUICK START μία φορά.
3. Περιστρέψτε το κουμπί START/QUICK START για να επιλέξετε το βάρος του φαγητού ή τις μερίδες.
4. Πιέστε το κουμπί START/QUICK START για επιβεβαίωση.

### Μενού αυτόματου μαγειρέματος:

Κωδικός	Τρόφιμο	Σημείωση
A-1	Γάλα/Καφές (200 ml/φλιτζάνι, 1-3 φλιτζάνια)	1. Για τα είδη A-7, A-8 και A-9, κατά τη διάρκεια του μαγειρέματος, το σύστημα θα σταματήσει για να σας υπενθυμίσει να γυρίσετε το φαγητό, μετά από αυτό, πατήστε START/QUICK START για να συνεχίσετε την απόψυξη. 2. Το αποτέλεσμα του αυτόματου μαγειρέματος εξαρτάται από παράγοντες όπως το σχήμα και το μέγεθος του φαγητού, η προσωπική σας προτίμηση ως προς τη λειτουργικότητα ορισμένων τροφίμων και ακόμη και το πόσο καλά τυχαίνει να τοποθετείτε το φαγητό στο φούρνο. Αν το αποτέλεσμα δεν σας ικανοποιεί καθόλου, ρυθμίστε λίγο το χρόνο μαγειρέματος ανάλογα.
A-2	Ρύζι (150-600 g)	
A-3	Μακαρόνια (100-300 g)	
A-4	Πατάτες (230 γρ./μερίδα, 1-2 μερίδες)	
A-5	Αυτόματη αναθέρμανση (200-800 g)	
A-6	Ψάρι (200-600 g)	
A-7	Κοτόπουλο (800-1400 g)	
A-8	Βόειο κρέας/Πρόβειο κρέας (200-600 g)	
A-9	Κρέας με σουβλα (100-500 g)	



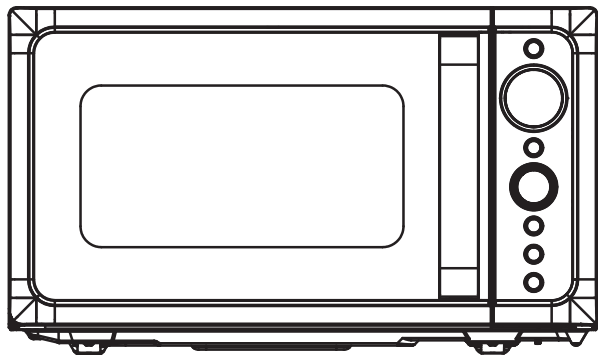
# Καθαρισμός και φροντίδα

1. Κλείστε το φούρνο και αποσυνδέστε το καλώδιο τροφοδοσίας από τον τοίχο κατά τον καθαρισμό.
2. Διατηρείτε το εσωτερικό του φούρνου καθαρό. Όταν οι πιτσιλιές τροφίμων ή τα υγρά που έχουν χυθεί προσκολλώνται στα τοιχώματα του φούρνου, σκουπίστε με ένα υγρό πανί. Εάν ο φούρνος λερωθεί πολύ, μπορούν να χρησιμοποιηθούν ήπια απορρυπαντικά. Αποφύγετε τη χρήση σπρέι ή άλλων σκληρών καθαριστικών. Ενδέχεται να λεκιάσουν, να σκιάσουν ή να θαμπώσουν την επιφάνεια της πόρτας.
3. Το εξωτερικό του φούρνου πρέπει να καθαρίζεται με υγρό πανί. Για να αποφύγετε την πρόκληση ζημιάς στα μέρη του φούρνου, δεν πρέπει να επιτρέψετε τη διαρροή νερού στα ανοίγματα εξαερισμού.
4. Σκουπίστε συχνά την πόρτα και το παράθυρο και στις δύο πλευρές, τις σφραγίσεις της πόρτας και τα παρακείμενα μέρη με ένα υγρό πανί για να αφαιρέσετε τυχόν κηλίδες ή πιτσιλιές. Μη χρησιμοποιείτε λειαντικό καθαριστικό.
5. Δεν πρέπει να χρησιμοποιείται ατμοκαθαριστής.
6. Μην αφήνετε τον πίνακα ελέγχου να βραχεί. Καθαρίστε με ένα μαλακό, υγρό πανί. Κατά τον καθαρισμό του πίνακα ελέγχου, αφήστε την πόρτα του φούρνου ανοιχτή για να αποφύγετε την ακούσια ενεργοποίηση του φούρνου.
7. Εάν συσσωρευτεί ατμός μέσα ή γύρω από το εξωτερικό της πόρτας του φούρνου, σκουπίστε με ένα μαλακό πανί. Αυτό μπορεί να συμβεί όταν ο φούρνος μικροκυμάτων λειτουργεί σε συνθήκες υψηλής υγρασίας. Και είναι φυσιολογικό.
8. Περιστασιακά είναι απαραίτητο να αφαιρέσετε το γυάλινο δίσκο για καθαρισμό. Πλύνετε το δίσκο με ζεστό σαπουνόνερο ή σε πλυντήριο πιάτων.
9. Ο δακτύλιος του κυλίνδρου και το δάπεδο του φούρνου πρέπει να καθαρίζονται τακτικά για να αποφεύγεται ο υπερβολικός θόρυβος. Σκουπίστε απλώς την κάτω επιφάνεια του φούρνου με ήπιο απορρυπαντικό. Ο δακτύλιος του κυλίνδρου μπορεί να πλυθεί με ήπιο σαπουνόνερο ή σε πλυντήριο πιάτων. Κατά την αφαίρεση του κυλινδρικού δακτυλίου, βεβαιωθείτε ότι τον έχετε τοποθετήσει ξανά στη σωστή θέση.
10. Αφαιρέστε τις οσμές από το φούρνο σας συνδυάζοντας ένα φλιτζάνι νερό με το χυμό και το δέρμα ενός λεμονιού σε ένα δοχείο μικροκυμάτων. Φούρνος μικροκυμάτων για 5 λεπτά. Σκουπίστε καλά και στεγνώστε με ένα μαλακό πανί.
11. Εάν ο λαμπτήρας καεί, επικοινωνήστε με την εξυπηρέτηση πελατών για να τον αντικαταστήσετε.
12. Ο φούρνος πρέπει να καθαρίζεται τακτικά και να αφαιρούνται τυχόν υπολείμματα τροφής. Η μη διατήρηση του φούρνου σε καθαρή κατάσταση θα μπορούσε να οδηγήσει σε φθορά της επιφάνειας που θα μπορούσε να επηρεάσει δυσμενώς τη

διάρκεια ζωής της μονάδας και θα μπορούσε ενδεχομένως να οδηγήσει σε επικίνδυνη κατάσταση.

13. Παρακαλούμε μην απορρίπτετε αυτή τη συσκευή στον οικιακό κάδο απορριμμάτων. Πρέπει να απορρίπτεται στο συγκεκριμένο κέντρο απορριμμάτων που παρέχεται από τους δήμους.
14. Όταν χρησιμοποιείται για πρώτη φορά ο φούρνος μικροκυμάτων με λειτουργία ψησίματος, ενδέχεται να παράγει ελαφρύ καπνό και οσμή. Αυτό είναι ένα φυσιολογικό φαινόμενο, επειδή ο φούρνος είναι κατασκευασμένος από μια χαλύβδινη πλάκα επικαλυμμένη με λιπαντικό έλαιο, και ο νέος φούρνος θα παράγει καπνούς και οσμές που δημιουργούνται από την καύση του λιπαντικού ελαίου. Το φαινόμενο αυτό θα εξαφανιστεί μετά από μια περίοδο χρήσης.

# Instrucciones para el horno de microondas



Modelo: DIVO G20CR  
DIVO G20CC  
DIVO G20CMB  
DIVO G20CO  
DIVO G20CG

Lea estas instrucciones con mucha atención antes de instalar y utilizar el horno.

## DECLARACIÓN DE CONFORMIDAD

---



Al colocar el **CE** marca en este producto, estamos confirmando el cumplimiento de todos los requisitos europeos relevantes de seguridad, salud y medio ambiente que son aplicables en la legislación para este producto.

## GESTIÓN DE RESIDUOS Y PROTECCIÓN MEDIOAMBIENTAL

---



Este aparato está etiquetado de acuerdo con la Directiva Europea 2012/19 / UE sobre aparatos eléctricos y electrónicos (RAEE). Los RAEE contienen sustancias contaminantes (que pueden tener un efecto negativo en el medio ambiente) y elementos básicos (que pueden reutilizarse). Es importante que los RAEE se sometan a tratamientos específicos para eliminar y eliminar correctamente los contaminantes y recuperar todos los materiales. Las personas pueden desempeñar un papel importante para garantizar que los RAEE no se conviertan en un problema ambiental; es esencial seguir algunas reglas básicas:

- Los RAEE no deben tratarse como residuos domésticos;
- Los RAEE deben llevarse a áreas de recolección dedicadas administradas por el ayuntamiento o una empresa registrada.

En muchos países, las colecciones nacionales pueden estar disponibles para grandes RAEE. Cuando compra un nuevo electrodoméstico, el antiguo puede devolverse al proveedor, que debe aceptarlo de forma gratuita, siempre que el electrodoméstico sea de un tipo equivalente y tenga las mismas funciones que el electrodoméstico comprado..

# Contenido

<b>CONTENIDO</b> .....	<b>2</b>
<b>PRECAUCIONES PARA EVITAR POSIBLES EXPOSICIONES A UN EXCESO DE ENERGÍA DE MICROONDAS</b> .....	<b>3</b>
<b>INSTRUCCIONES DE SEGURIDAD IMPORTANTES</b> .....	<b>3</b>
<b>GUÍA DE INSTALACIÓN</b> .....	<b>6</b>
<b>INSTRUCCIONES DE CONEXIÓN A TIERRA</b> .....	<b>7</b>
<b>INTERFERENCIA DE RADIO</b> .....	<b>7</b>
<b>ANTES DE LLAMAR AL SERVICIO</b> .....	<b>7</b>
<b>TÉCNICAS DE COCCIÓN</b> .....	<b>8</b>
<b>GUÍA DE UTENSILIOS DE COCINA</b> .....	<b>8</b>
<b>ESPECIFICACIONES</b> .....	<b>9</b>
<b>DIAGRAMA DEL PRODUCTO</b> .....	<b>9</b>
<b>PANEL DE CONTROL</b> .....	<b>10</b>
<b>INSTRUCCIONES DE FUNCIONAMIENTO</b> .....	<b>11</b>
CONFIGURAR EL RELOJ .....	11
QUICK START (INICIO RÁPIDO).....	11
COCCIÓN CON MICROONDAS .....	12
GRILL .....	12
COMBINADO .....	12
DESCONGELAMIENTO DE VELOCIDAD.....	13
COCCIÓN EN VARIAS ETAPAS .....	13
FUNCIÓN DE MUTE .....	13
BLOQUEO INFANTIL .....	13
COCCIÓN AUTOMÁTICA .....	14
<b>LIMPIEZA Y MANTENIMIENTO</b> .....	<b>15</b>

# PRECAUCIONES PARA EVITAR POSIBLES EXPOSICIONES A UN EXCESO DE ENERGÍA DE MICROONDAS

1. Evite utilizar este horno con la puerta abierta, ya que ello podría exponerle a un nivel perjudicial de energía de microondas. Es sumamente importante no intentar evitar ni forzar los enclavamientos de seguridad.
2. No ponga ningún objeto entre la cara frontal del horno y la puerta, ni deje que se acumule suciedad ni residuos de limpiador sobre las superficies de las juntas.
3. No utilice el horno si está dañado. Es muy importante que la puerta del horno se cierre correctamente y que no se dañen
  - a) Puerta (incluyendo si curvada),
  - b) Bisagras y enclavamientos (no deben romperse ni aflojarse),
  - c) Juntas de las puertas y de otras superficies.
4. El horno no debe ser ajustado o reparado por nadie excepto por personal de servicio cualificado.

# INSTRUCCIONES DE SEGURIDAD IMPORTANTES

Al utilizar electrodomésticos, deben observarse algunas precauciones básicas de seguridad como las siguientes:

**¡ADVERTENCIA!**- Para reducir el riesgo de quemaduras, descargas eléctricas, incendios, lesiones a personas o exposición a una excesiva energía de microondas:

1. Lea todas las instrucciones antes de utilizar el horno y consérvelas para consultarlas en caso necesario en el futuro.
2. Utilice este electrodoméstico sólo para el uso previsto, tal como se describe en el manual. No emplee vapores ni productos químicos corrosivos con este electrodoméstico. Este tipo de horno está específicamente diseñado para calentar, cocinar o secar comida. No está diseñado para uso industrial o en laboratorios.
3. No ponga en marcha el horno si está vacío.
4. No utilice este electrodoméstico si el cable o el conector están dañados, si no funciona correctamente o si se ha caído al suelo o ha sufrido cualquier tipo de daño. Para evitar riesgos, será necesario cambiar cualquier cable de alimentación que esté dañado. Esta operación deberán llevarla a cabo el fabricante, su representante de servicio o cualquier otra persona cualificada.
5. **¡ADVERTENCIA!**- Sólo permita que los niños usen el horno sin supervisión cuando se hayan dado las instrucciones adecuadas para que el niño pueda usar el horno de

- forma segura y entienda los peligros de un uso inadecuado.
6. **¡ADVERTENCIA!**- Cuando el electrodoméstico funciona en modo combinado, los niños sólo deben utilizar el horno bajo la supervisión de un adulto debido a las temperaturas generadas
  7. Para limitar al mínimo el riesgo de fuego en el interior del horno:
    - Al calentar alimentos en recipientes de plástico o papel, compruebe frecuentemente la posibilidad de ignición del horno.
    - Antes de poner una bolsa de papel o plástico en el horno, quite de ella cualquier alambre de cierre que pueda tener.
    - Si observa algún tipo de humo, apague o desenchufe el aparato y deje cerrada la puerta para contener cualquier posible llama.
    - No utilice el interior del horno como espacio de almacenamiento. No deje papeles, utensilios de cocina ni alimentos en el interior del horno cuando no lo esté utilizando.
    - El horno microondas está pensado para calentar comida y bebida. Si lo utiliza para secar ropa o calentar almohadillas, zapatillas, esponjas, paños húmedos u otros objetos similares, existe el riesgo de que se produzcan incendios y lesiones.
  8. **¡ADVERTENCIA!**- Los líquidos u otros alimentos no deben calentarse en recipientes sellados ya que pueden explotar.
  9. Al calentar bebidas en microondas, es posible que, incluso después de detener el aparato, el líquido siga hirviendo de forma viva y, como consecuencia, se derrame parte de él. Por este motivo, se recomienda el máximo cuidado al manipular el recipiente.
  10. No fría comida en el horno. El aceite caliente puede dañar los utensilios y las piezas del horno e incluso provocar quemaduras en la piel.
  11. No se deben calentar huevos enteros ni huevos duros en el horno de microondas, ya que calentados en hornos de microondas, ya que podrían explotar incluso después de que el microondas se haya parado.
  12. Antes de cocinar alimentos de cáscara gruesa (patatas, calabazas enteras, manzanas, castañas...), se recomienda practicar incisiones en dicha cáscara.
  13. Al calentar biberones y potitos, deberá agitarse o removerse el contenido y comprobarse la temperatura antes de servir para evitar posibles quemaduras.
  14. Es posible que el calor de la comida calentada pase a los utensilios de cocina, por lo que se recomienda utilizar paños para manipularlos.
  15. Además, habrá que comprobar que cada utensilio empleado sea apto para microondas.
  16. **¡ADVERTENCIA!**- Las operaciones de reparación o mantenimiento que impliquen retirar una cubierta protectora contra energía de microondas debe realizarlas siempre personal cualificado. De lo contrario, dichas operaciones supondrían un riesgo.
  17. Este microondas cumple con la norma EN 55011/CISPR 11, en esta norma pertenece a la clase B Grupo 2. Equipo del grupo 2: el grupo 2 contiene todos los equipos de radiofrecuencia ISM en los que la energía de radiofrecuencia en la gama de frecuencias de 9 kHz a 400 GHz se genera y utiliza intencionadamente o sólo se

- utiliza localmente, en forma de radiación electromagnética, acoplamiento inductivo y/o capacitivo, para el tratamiento de material, para fines de inspección/análisis o para la transferencia de energía electromagnética. El equipo de clase B es un equipo adecuado para su uso en lugares de entornos residenciales y en establecimientos conectados directamente a una red de suministro de energía de baja tensión que abastece a los edificios utilizados para fines domésticos.
18. Este aparato no está pensado para que lo utilicen personas (incluidos niños) con capacidades físicas, sensoriales o mentales reducidas, o con falta de experiencia y conocimiento, a menos que hayan sido supervisados o formados sobre el uso del dispositivo por parte de una persona responsable de su seguridad.
  19. Es preciso vigilar a los niños para asegurarse de que no jueguen con el electrodoméstico.
  20. El horno microondas deberá instalarse de manera que quede patente, sin elementos a su alrededor.
  21. **¡ADVERTENCIA!**- No instale el horno sobre hornillas u otros aparatos que generen calor. De hacerlo, podría sufrir daños y la garantía quedaría anulada.
  22. El horno microondas no deberá instalarse en un armario.
  23. Al utilizar el aparato, la puerta y otras superficies podrían calentarse bastante.
  24. **¡ADVERTENCIA!**- Las partes accesibles podría calentarse bastante al utilizar el electrodoméstico. Evite que los/as niños/as pequeños/as se acerquen a él.
  25. Los electrodomésticos, al utilizarlos, suelen calentarse bastante. Tanto en hornillas como en hornos, hay que tener cuidado de no tocar los elementos que generan calor.
  26. Al utilizar el aparato, las superficies accesibles podrían alcanzar temperaturas bastante elevadas.
  27. El aparato no deben utilizarlo niños/as ni personas con discapacidades físicas, sensoriales o mentales, ni tampoco aquellas que no tengan la debida experiencia y conocimientos, a menos que hayan recibido las instrucciones necesarias para ello o cuenten con la supervisión de otras personas.
  28. **¡ADVERTENCIA!**- Si la puerta o las juntas de esta sufren daños, no se deberá utilizar el horno hasta que la avería haya sido reparada por una persona competente.
  29. Las instrucciones indican que el electrodoméstico no está diseñado para funcionar con un temporizador externo ni con ningún sistema de control remoto separado.
  30. El horno microondas es para uso estrictamente doméstico, no comercial.
  31. No desmonte el tope distanciador de la parte trasera o de los laterales; es esencial, ya que sirve para garantizar una distancia mínima respecto a la pared para que circule el aire.
  32. Para evitar daños, fije el plato giratorio antes de mover el aparato.
  33. **¡CUIDADO!**- Las tareas de reparación o mantenimiento del electrodoméstico debe llevarlas siempre a cabo un especialista, ya que es necesario retirar la cubierta que garantiza la protección contra la radiación de microondas, lo cual supone un riesgo. Lo mismo cabe decir para las actuaciones sobre el cable de alimentación o las luces. En estos casos, es obligatorio enviar el aparato a nuestro de centro de servicio técnico.



34. El horno microondas está diseñado únicamente para descongelar y cocinar comida.
35. Al sacar la comida ya calentada, utilice siempre manoplas.
36. ¡Precaución! Es posible que, al abrir tapas o retirar papel de aluminio, salga vapor.
37. Pueden utilizarlo niños a partir de 8 años de edad y personas con facultades físicas, sensoriales o mentales reducidas, o con falta de experiencia y conocimiento, si lo emplean bajo supervisión o se les instruye acerca de la seguridad del producto y entienden los riesgos que comporta. Los niños no deben jugar con el electrodoméstico. Las tareas de limpieza y mantenimiento no deben llevarlas a cabo niños/as, a menos que tengan al menos 8 años y cuenten con la supervisión de una persona adulta.
38. Si observa algún tipo de humo, apague o desenchufe el aparato y deje cerrada la puerta para contener cualquier posible llama.

## Guía de instalación

1. Asegúrese de quitar todos los materiales de empaquetado del interior de la puerta.
2. **¡ADVERTENCIA!**- Compruebe si el horno presenta algún tipo de daños. Por ejemplo, si la puerta está curvada o mal alineada, si las juntas de las puertas y de otras superficies están dañadas, si las bisagras y enclavamientos de la puerta están sueltos o rotos y si hay golpes o abolladuras en la puerta o en el interior del horno. En caso de detectarse algún daño, evite utilizar el horno y póngase en contacto con un técnico cualificado.
3. Este horno microondas debe colocarse sobre una superficie plana y estable y que aguante su peso y el de las comidas más pesadas que se prevea cocinar en el horno.
4. Evite colocar el horno en lugares donde se genere calor o altos niveles de humedad, así como cerca de materiales combustibles.
5. Para funcionar correctamente, es necesario que haya suficiente ventilación alrededor del horno. Deje un mínimo de 20 cm de espacio libre encima de la superficie superior del horno y 5 cm a ambos lados. La placa trasera del horno microondas debe colocarse cerca de la pared. Evite cubrir o bloquear las aberturas del aparato. No quite las patas.
6. Antes de utilizar el horno, asegúrese de haber instalado en su lugar correcto el plato de vidrio, el soporte de rodillos y el eje.
7. Compruebe que el cable de alimentación no presente daños y que no quede colocado bajo el horno ni encima de ninguna superficie caliente o cortante.
8. La toma de corriente debe ser fácilmente accesible para poder desconectar rápidamente el apartado en caso de emergencia.
9. No utilice el horno en espacios al aire libre.

# INSTRUCCIONES DE CONEXIÓN A TIERRA

Este aparato tiene que conectarse a tierra. El cable de alimentación cuenta con cable de tierra y conector con tierra. Debe enchufarse a una toma de pared debidamente instalada y puesta a tierra. En caso de cortocircuito, la conexión a tierra reduce el riesgo de descarga eléctrica, ya que se crea una vía de escape para la corriente eléctrica. Se recomienda utilizar un circuito aparte solo para el horno. El uso de circuitos de alta tensión es peligroso y puede provocar incendios y otros accidentes, incluidos daños en el horno.

¡**ADVERTENCIA!**- Un uso incorrecto del enchufe con toma de tierra puede dar lugar a un riesgo de descarga eléctrica.

Nota:

1. Si tiene alguna duda sobre las instrucciones de conexión eléctrica o a tierra, consulte con un electricista o técnico cualificado.
2. El fabricante y el distribuidor al que se adquiera el producto declinan cualquier posible responsabilidad derivada de daños sufridos por el horno o daños personales derivados de no observar las instrucciones de conexión eléctrica.

Los hilos del cable llevan colores que corresponden a lo siguiente:

**Verde y amarillo = TIERRA**

**Azul = NEUTRAL**

**Marrón = CORRIENTE**

## Interferencia de radio

El horno microondas puede interferir en los equipos de radio, TV y otros similares. Tales interferencias, en caso de producirse, pueden limitarse o eliminarse adoptando las siguientes medidas:

1. Limpiar la puerta y las juntas del horno.
2. Reorientar la antena receptora de radio o televisión.
3. Cambiar de sitio el horno microondas con respecto al receptor.
4. Alejar el horno microondas del receptor.
5. Enchufar el horno microondas a una toma diferente de manera que el horno y el receptor estén en circuitos diferentes.

## Antes de llamar al servicio

Antes de llamar el servicio, por favor, compruebe cada elemento de abajo:

- Compruebe que el horno esté bien conectado. De lo contrario, quite el enchufe de la toma de corriente, espere 10 segundos y vuelva a enchufarlo con seguridad.
- Compruebe si ha saltado algún fusible, térmico o disyuntor del circuito eléctrico. Si

dichos elementos funcionan correctamente, compruebe si esa toma está en buen estado conectando otro aparato.

- Compruebe que el panel de control está programado correctamente y que el temporizador está ajustado.
- Compruebe que la puerta esté bien cerrada, activando el sistema de bloqueo de la puerta. Si la puerta no está bien cerrada, la energía de las microondas no fluirá hacia el interior.

SI EL PROBLEMA NO SE SOLUCIONA CON LAS ACCIONES ANTERIORES, PÓNGASE EN CONTACTO CON UN TÉCNICO CUALIFICADO. NO INTENTE AJUSTAR NI REPARAR EL HORNO POR SU CUENTA.

## Técnicas de cocción

1. Prepare la comida de manera organizada. Ponga los alimentos de mayor grosor en torno a los bordes del plato.
2. Observe con atención el tiempo de cocción. Cocine la comida durante el menor tiempo posible; así podrá añadir más tiempo si hace falta. La comida, si se cocina demasiado, puede echar humo o incluso entrar en combustión.
3. Cubra los alimentos cuando vaya a cocinarlos. Así evitará posibles salpicaduras y todo se cocinará de manera más uniforme.
4. Cuando vaya a cocinar, por ejemplo, pollo o hamburguesas con microondas, deles la vuelta una vez para acelerar la cocción. Si va a cocinar algo de gran tamaño (por ejemplo, una pieza de carne para asado), deberá darle la vuelta al menos una vez.
5. Si va a cocinar alimentos como albóndigas, a mitad de la cocción muévelo todo de abajo arriba y del centro del plato hacia el exterior.

## Guía de utensilios de cocina

1. La energía de microondas no puede penetrar en el metal. Utilice siempre utensilios aptos para hornos microondas. Los recipientes metálicos para comida y bebida no son aptos para cocinar en microondas. Esta norma no será aplicable si el fabricante especifica que son aptos para microondas recipientes metálicos de determinado tamaño y forma.
2. La energía de microondas no puede penetrar en el metal, por lo que no se deben utilizar utensilios ni platos metálicos, ni que tengan decoraciones metálicas.
3. Al cocinar con microondas, evite utilizar productos fabricados con papel reciclado, ya que pueden contener pequeños fragmentos metálicos que, a su vez, podrían generar chispas o provocar incendios.
4. Se recomienda utilizar platos redondos u ovalados antes que cuadrados o con puntas, ya que la comida que quede en las esquinas tiende a cocinarse demasiado.
5. Pueden aplicarse tiras de papel de aluminio para evitar que las áreas expuestas se cocinen en exceso. Pero ten cuidado de no usar demasiado y mantén una distancia de 2,54 cm entre el papel de aluminio y la cavidad.

A continuación figura una guía de carácter general que le ayudará a utilizar los utensilios correctos.

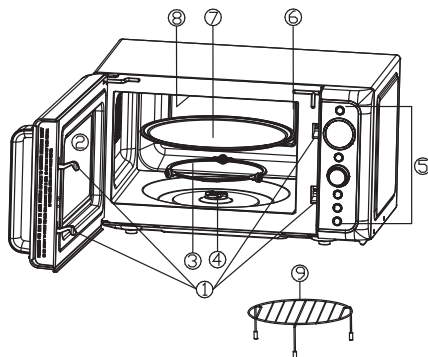
UTENSILIOS DE COCINA	MICROONDAS	GRILL	COMBINADO
Vidrio refractario	Sí	Sí	Sí
Vidrio no refractario	No	No	No
Cerámica refractaria	Sí	Sí	Sí
Plato de plástico apto para microondas	Sí	No	No
Papel de cocina	Sí	No	No
Bandeja metálica	No	Sí	No
Rejilla metálica	No	Sí	No
Papel de aluminio o recipientes de dicho material	No	Sí	No

## Especificaciones

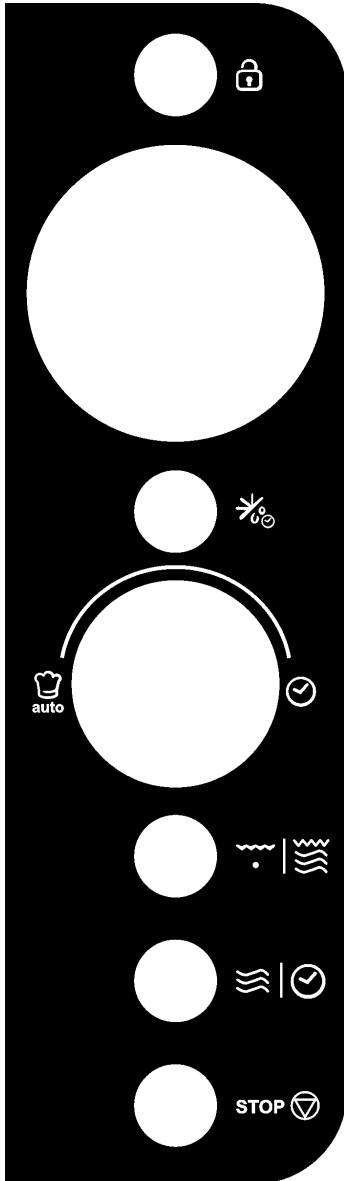
Consumo de energía:	230 V/50 Hz, 1200 W(Microondas)
	900 W (Grill)
Potencia nominal de salida de microondas:	700 W
Frecuencia durante el funcionamiento:	2450 MHz
Dimensiones exteriores:	262 mm(H)x452 mm(W)x369 mm(D)
Dimensiones del interior del horno:	198 mm(H)x315 mm(W)x297 mm(D)
Capacidad del horno:	20 l
Peso neto:	Approx.11 kg

## Diagrama del producto

1. Sistema de bloqueo de seguridad de la puerta
2. Ventana del horno
3. Anillo de rodillo
4. Eje
5. Panel de control
6. Guía de ondas (Por favor, no quite la placa de mica que cubre la guía de ondas)
7. Plato de vidrio
8. Calentador de grill
9. Rejilla metálica



# Panel de control



- **PANTALLA**

Se muestran el tiempo de cocción, la potencia, los indicadores y la hora actual.

- **BLOQUEO**

Pulse para configurar la función de mute.  
Se usa para fijar el bloqueo infantil.

- **DESCONGELAMIENTO DE VELOCIDAD**

Pulse para configurar el programa de descongelamiento en función del tiempo.

- **MENÚ/HORA (mando)**

Gire para ajustar la hora o seleccione el menú de cocción automática.

- **ARRANQUE/INICIO RÁPIDO (mando)**

Pulse el mando para iniciar el programa de cocción o descongelamiento.

Sólo tienes que pulsarlo varias veces para ajustar el tiempo de cocción y cocinar inmediatamente a máxima potencia.

- **GRILL/COMBI.** |

Pulse para establecer el programa de cocción con el grill.

Pulse para seleccionar uno de los dos ajustes de cocción combinados.

- **POTENCIA/RELOJ** |


Pulse para establecer el nivel de potencia de cocción del microondas.

Pulse para ajustar la hora del reloj.

- **STOP/CANCEL**

Si se pulsa una vez, se detendrá la cocción temporalmente; si se pulsa dos veces, se cancelará el proceso de cocción.

# Instrucciones de funcionamiento

- Cuando el horno se enchufe por primera vez, sonará un pitido y la pantalla mostrará " y "1:00".
- En el proceso de ajuste, con una interrupción de unos 30 segundos el horno volverá al modo de espera.
- Durante la cocción, si se pulsa el botón STOP/CANCEL una vez, el programa se detendrá, luego se pulsa el botón ARRANQUE/INICIO RÁPIDO para reanudar, pero si se pulsa el botón STOP/CANCEL dos veces, el programa se cancelará.
- Después de terminar la cocción, la pantalla mostrará "End" con sonido cada dos minutos hasta que el usuario presione cualquier botón o abra la puerta.
- El sistema de control electrónico del horno de microondas tiene la característica de enfriar. Como en cualquier modo de cocción que tenga un tiempo de cocción superior a 2 minutos, abrir la puerta o estado de parada, el ventilador del horno funcionará unos 3 minutos automáticamente para enfriar el horno y así prolongar la vida del mismo.

## CONFIGURAR EL RELOJ

Este es un reloj de 12 o 24 horas. Puede elegir ajustar la hora del reloj en 12 o 24 horas pulsando el botón POTENCIA/RELOJ en el modo de espera.

1. En el modo de espera, mantenga pulsado el botón POTENCIA/RELOJ durante 3 segundos para seleccionar el reloj de 12 horas, púlselo de nuevo para seleccionar el reloj de 24 horas.
2. Gire el mando MENÚ/HORA para fijar el dígito de la hora.
3. Pulse el botón POTENCIA/RELOJ una vez.
4. Gire el mando MENÚ/HORA para fijar el dígito de los minutos.
5. Pulse el botón POTENCIA/RELOJ para confirmar.

## QUICK START (INICIO RÁPIDO)

Utilice esta función para programar el inicio del horno al 100% de potencia. En el modo de espera, presione el botón ARRANQUE/INICIO RÁPIDO repetidamente para ingresar el tiempo de cocción (cada vez que lo pulse aumentará 30 segundos y hasta 10 minutos), el horno se iniciará automáticamente con un nivel de potencia del 100%.

**NOTA:** Durante la cocción, puede añadir el tiempo de cocción pulsando el botón ARRANQUE/INICIO RÁPIDO.

## **COCCIÓN CON MICROONDAS**

---

1. Pulse el botón POTENCIA/RELOJ repetidamente para seleccionar el nivel de potencia.
2. Gire el mando MENÚ/HORA en el sentido de las agujas del reloj para ingresar el tiempo de cocción. El tiempo más largo es de 95 minutos.
3. Pulse el botón ARRANQUE/INICIO RÁPIDO.

### **Seleccione el nivel de potencia pulsando el botón POTENCIA/RELOJ:**

Pulse el botón POTENCIA/RELOJ	Potencia (Pantalla)
Una vez	100% (100)
Dos veces	80% (80)
Tres veces	60% (60)
Cuatro veces	40%(40)
Cinco veces	20% (20)
Seis veces	0% (00)

**NOTA:** Durante la cocción, el nivel de potencia actual puede verse pulsando el botón POTENCIA/RELOJ.

## **GRILL**

---

La cocción con grill es particularmente útil para las rebanadas finas de carne, filetes, chuletas, brochetas, chorizos y trozos de pollo. También es adecuada para sándwiches calientes y platos gratinados.

1. Pulse una vez el botón GRILL/COMBI.
2. Gire el mando MENÚ/HORA para ingresar el tiempo de cocción. El tiempo más largo es de 95 minutos.
3. Pulse el botón ARRANQUE/INICIO RÁPIDO para confirmar.

## **COMBINADO**

---

El grill funciona más tiempo que el microondas en el modo de cocción combinada 1, usado para el pescado y el gratinado. Pero el microondas funciona más tiempo que el grill en el modo de cocción combinada 2, que se usa para el pudín, las tortillas, las patatas asadas y el pollo.

1. En el modo de espera, pulse el botón GRILL/COMBI. dos o tres veces para seleccionar "Co-1" o "Co-2".
2. Gire el mando MENÚ/HORA para ingresar el tiempo de cocción. El tiempo más

largo es de 95 minutos.

3. Pulse el botón ARRANQUE/INICIO RÁPIDO para confirmar.

## **DESCONGELAMIENTO DE VELOCIDAD**

---

1. En el modo de espera, pulse el botón DESCONGELAMIENTO DE VELOCIDAD una vez.
2. Gire el mando MENÚ/HORA para ingresar el tiempo de descongelamiento. El tiempo más largo es de 95 minutos.
3. Pulse el botón ARRANQUE/INICIO RÁPIDO para confirmar.

**NOTA:** Durante el programa de descongelamiento, el sistema se pondrá en pausa y se emitirán unos pitidos para avisar al usuario de que debe darle la vuelta a los alimentos; a continuación, pulse ARRANQUE/INICIO RÁPIDO para reanudar.

## **COCCIÓN EN VARIAS ETAPAS**

---

En este horno pueden programarse hasta tres secuencias de cocción automáticas.

Supongamos que quiere configurar el siguiente programa de cocción:

Cocción con microondas



Cocción con microondas (con menor nivel de potencia)

1. Especifique el primer programa de cocción con microondas. No pulse ARRANQUE/INICIO RÁPIDO.
2. Especifique el segundo programa de cocción con microondas.
3. Pulse el botón ARRANQUE/INICIO RÁPIDO para confirmar.

**NOTA:** Los menús de inicio rápido, descongelamiento rápido y cocción automática no se pueden establecer en la cocción en varias etapas.

## **FUNCIÓN DE MUTE**

---

**Para establecer:** En el modo de espera, pulse el botón LOCK una vez, la pantalla mostrará "off" durante 3 segundos. En este momento, todos los programas y botones no tienen sonido de aviso, y luego el horno volverá al modo de espera.

**Para cancelar:** En el modo mute, pulse el botón LOCK una vez, la pantalla mostrará "on" durante 3 segundos y se activará un pitido. En este momento, todos los programas y botones regresan a la condición normal y luego el horno volverá al modo de espera.

## **BLOQUEO INFANTIL**

---

Pulse para evitar que los niños operen el horno sin supervisión.

**Para establecer:** En el modo de espera, mantenga pulsado el botón LOCK durante 3 segundos, el horno entrará automáticamente en el modo de bloqueo infantil y se



encenderá la luz indicadora de bloqueo. En el estado de bloqueo, todos los botones están desactivados.

**Para cancelar:** En el modo de bloqueo infantil, mantenga pulsado el botón LOCK durante 3 segundos, la luz indicadora se apagará.

## **COCCIÓN AUTOMÁTICA**

Para la comida o el siguiente modo de cocción, no es necesario programar el tiempo y la potencia de cocción. Basta con indicar el tipo de alimentos que se quiere cocer, así como el peso o las porciones de alimentos.

1. En el modo de espera, gire el botón MENÚ/HORA una vez en el sentido contrario a las agujas del reloj, y luego gírelo para seleccionar el código de alimentos.
2. Pulse el botón ARRANQUE/INICIO RÁPIDO una vez.
3. Gire el mando MENÚ/HORA para seleccionar el peso de los alimentos o las porciones.
4. Pulse el botón ARRANQUE/INICIO RÁPIDO para confirmar.

### **Menús de cocción automática:**

Código	Alimentos	Nota
A-1	Leche/café (200 ml/taza, 1-3 tazas)	1. Para los artículos A-7, A-8 y A-9, durante la cocción, el sistema hará una pausa para recordarle que debe darle la vuelta a los alimentos; después de eso, pulse ARRANQUE/INICIO RÁPIDO para reanudar el descongelamiento. 2. El resultado de la cocción automática depende de factores como la forma y el tamaño de los alimentos, sus preferencias personales en cuanto a la cocción de ciertos alimentos e incluso la forma en que se colocan los alimentos en el horno. Si el resultado no es satisfactorio, por favor ajuste el tiempo de cocción un poco.
A-2	Arroz (150-600 g)	
A-3	Espagueti (100-300 g)	
A-4	Patata (230 g/porción, 1-2 porciones)	
A-5	Recalentamiento automático (200-800 g)	
A-6	Pescado (200-600 g)	
A-7	Pollo (800-1400 g)	
A-8	Res/Cordero (200-600 g)	
A-9	Brochetas de carne (100-500 g)	

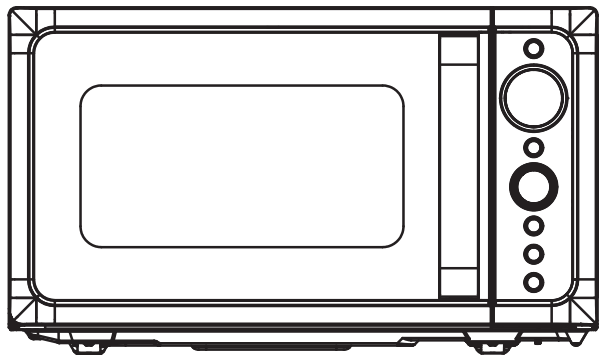
# Limpieza y mantenimiento

1. Antes de limpiar el horno, apáguelo y desenchufe el cable de alimentación de la pared.
2. El interior del horno deberá estar siempre limpio. Si se salpican alimentos o se derraman líquidos y se adhieren a las paredes del horno, límpielos con un paño húmedo. Si el horno está muy sucio, puede utilizar un detergente no agresivo. Evite el uso de aerosoles u otros limpiadores fuertes. Pueden manchar, rayar o embotar la superficie de la puerta.
3. Las superficies exteriores del horno deben limpiarse con un paño humedecido. Para evitar daños en los mecanismos interiores del horno, hay que evitar que entre agua en las aberturas de ventilación.
4. Limpie frecuentemente con un paño humedecido las posibles salpicaduras que queden sobre la puerta y la ventana, las juntas de la puerta y las piezas adyacentes. No utilice limpiadores abrasivos.
5. No utilice limpiadores a vapor.
6. Evite que se moje el panel de control. Limpie el electrodoméstico con un paño suave y levemente humedecido. Al limpiar el panel de control, deje abierta la puerta del horno para evitar que este pueda ponerse en marcha accidentalmente.
7. En caso de acumularse vapor dentro o fuera de la puerta del horno, límpielo con un paño suave. Esta situación puede presentarse al utilizar el horno microondas en situaciones de alta humedad ambiental. Es totalmente normal.
8. En ocasiones, es necesario sacar el plato de vidrio para limpiarlo. Limpie el plato de vidrio en agua templada con jabón, o en el lavavajillas.
9. El anillo de rodillo y el fondo del horno deben limpiarse con regularidad para evitar ruidos excesivos. Basta con pasar por la superficie del suelo del horno un paño humedecido en un detergente no abrasivo. El anillo de rodillo puede lavarse en agua templada con jabón, o en el lavavajillas. Al sacar el anillo de rodillo para limpiarlo, asegúrese después de colocarlo siempre en la posición correcta.
10. Para evitar olores en el horno, recomendamos poner un vaso de agua, el jugo y la piel de un limón en un recipiente hondo apto para microondas. Poner en el microondas durante 5 minutos. Limpie bien y seque con un paño seco.
11. Si la bombilla se quema, por favor contacte con el servicio de atención al cliente para que la cambien.
12. El horno debe limpiarse con regularidad, con especial atención a los posibles restos de alimentos. Si el horno no se mantiene en buenas condiciones de limpieza, podría deteriorarse la superficie, lo cual, a su vez, podría afectar negativamente a la vida

útil del electrodoméstico e incluso crear situaciones de riesgo.

13. No deseche este electrodoméstico con el resto de los residuos domésticos. Debe llevarlo al centro de reciclaje más cercano en el municipio.
14. La primera vez que se utilice el horno microondas con la función *grill*, es posible que se note un poco de humo y cierto olor. Se trata de una incidencia normal, ya que el horno está hecho de una placa de acero con aceite lubricante; un horno nuevo generará cierto olor al quemar el aceite lubricante. Este problema desaparecerá después de un tiempo de utilizar el electrodoméstico.

# Návod k mikrovlnnej rúre



Model: DIVO G20CR  
DIVO G20CC  
DIVO G20CMB  
DIVO G20CO  
DIVO G20CG

Pred inštaláciou a obsluhou rúry si pozorne prečítajte tento návod.

## VYHLÁSENIE O SÚLADE

---



Umiestnením značky na tento produkt potvrdzujeme súlad so všetkými príslušnými európskymi požiadavkami na bezpečnosť, zdravie a životné prostredie, ktoré sa vzťahujú na tento výrobok v právnych predpisoch.

## SPRÁVA ODPADU A OCHRANA ŽIVOTNÉHO PROSTREDIA

---



Tento spotrebič je označený v súlade s európskou smernicou 2012/19 / EÚ o elektrických a elektronických zariadeniach (OEEZ). OEEZ obsahuje ako znečisťujúce látky (ktoré môžu mať negatívny vplyv na životné prostredie), tak základné prvky (ktoré sa dajú opätovne použiť.) Je dôležité, aby sa OEEZ podrobil osobitnému spracovaniu s cieľom správne odstrániť a zneškodniť znečisťujúce látky a zhodnocovať všetky materiály. Jednotlivci môžu hrať dôležitú úlohu pri zabezpečení toho, aby sa OEEZ nestal environmentálnym problémom; je nevyhnutné dodržiavať niekoľko základných pravidiel:

- S OEEZ by sa nemalo zaobchádzať ako s domácim odpadom;
- OEEZ by sa mal odovzdať do vyhradených zberných oblastí, ktoré spravuje mestská rada alebo registrovaná spoločnosť.

V mnohých krajinách môžu byť domáce zbierky k dispozícii pre veľké OEEZ. Keď si kúpite nové zariadenie, staré zariadenie môžete vrátiť predajcovi, ktorý ho musí prijať ako jednorazové, pokiaľ je zariadenie rovnocenného typu a má rovnaké funkcie ako zakúpené zariadenie.

# Obsah

<b>OBSAH.....</b>	<b>2</b>
<b>OPATRENIA NA ZABRÁNENIE MOŽNÉMU VYSTAVENIU NADMERNEJ MIKROVLNNEJ ENERGIÍ .....</b>	<b>3</b>
<b>DÔLEŽITÉ BEZPEČNOSTNÉ POKYNY .....</b>	<b>3</b>
<b>NÁVOD NA INŠTALÁCIU .....</b>	<b>6</b>
<b>POKYNY NA UZEMNENIE .....</b>	<b>7</b>
<b>RÁDIOVÉ RUŠENIE .....</b>	<b>7</b>
<b>PRED ZAVOLANÍM SERVISU .....</b>	<b>7</b>
<b>TECHNIKY VARENIA .....</b>	<b>8</b>
<b>SPRIEVODCA KUCHYNSKÝMI NÁDOBAMI .....</b>	<b>8</b>
<b>ŠPECIFIKÁCIE .....</b>	<b>9</b>
<b>SCHÉMA PRODUKTU .....</b>	<b>9</b>
<b>OVLÁDACÍ PANEL.....</b>	<b>10</b>
<b>NÁVOD NA OBSLUHU .....</b>	<b>11</b>
<b>ČISTENIE A STAROSTLIVOSŤ .....</b>	<b>15</b>

# OPATRENIA NA ZABRÁNENIE MOŽNÉMU VYSTAVENIU NADMERNEJ MIKROVLNNEJ ENERGII

1. Nepokúšajte sa používať túto rúru s otvorenými dvierkami, pretože prevádzka s otvorenými dvierkami môže mať za následok škodlivé vystavenie mikrovlnnej energii. Je dôležité, aby ste nepoškodili bezpečnostné zámky ani s nimi nemanipulovali.
2. Medzi čelnú plochu rúry a dvierka neumiestňujte žiadne predmety, ani nedovoľte, aby sa na tesniacich plochách nahromadila špina alebo zvyšky čistiaceho prostriedku.
3. Ak je rúra poškodená, nepoužívajte ju. Je veľmi dôležité, aby sa dvierka rúry riadne zatvorili a aby nedošlo k poškodeniu
  - a) Dvierka (vrátane akýchkoľvek ohnutých),
  - b) Závesy a západky (zlomené alebo uvoľnené),
  - c) Tesnenia dvierok a tesniace plochy.
4. Rúra by mal nastavovať a opravovať len kvalifikovaný servisný personál.

## DÔLEŽITÉ BEZPEČNOSTNÉ POKYNY

Pri používaní elektrického spotrebiča sa majú dodržiavať základné bezpečnostné opatrenia vrátane:

**UPOZORNENIE!** Na zníženie rizika popálenín, úrazu elektrickým prúdom, požiaru, zranenia osôb alebo vystavenia nadmernej mikrovlnnej energii:

1. Pred použitím spotrebiča si prečítajte celý návod a uschovajte ho na budúce použitie.
2. Tento spotrebič používajte len na zamýšľané použitie, ako je opísané v návode. Na tento spotrebič nepoužívajte korozívne chemikálie ani výpary. Tento typ rúry je špeciálne navrhnutý na ohrev, varenie alebo sušenie potravín. Nie je určený na priemyselné alebo laboratórne použitie.
3. Ak je rúra prázdna, nepoužívajte ju.
4. Nepoužívajte tento spotrebič, ak má poškodený kábel alebo zástrčku, ak nefunguje správne, alebo ak bol poškodený alebo spadol. Ak došlo k poškodeniu napájacieho kábla, musí ho vymeniť výrobca, jeho servisný zástupca alebo podobne spôsobilá osoba, aby nedošlo k nebezpečenstvu.

5. **UPOZORNENIE!** Deti môžu používať rúru bez dozoru len vtedy, ak im boli poskytnuté primerané pokyny na to, aby mohli používať rúru bezpečným spôsobom a pochopili nebezpečenstvo spojené s nesprávnym použitím.
6. **UPOZORNENIE!** Keď je spotrebič v kombinovanom režime, deti by vzhľadom na generované teploty mali používať rúru len pod dohľadom dospelých.
7. Aby sa znížilo riziko požiaru vo vnútri rúry:
  - Pri ohrievaní potravín v plastových alebo papierových nádobách často kontrolujte, či v rúre nie je možnosť vznietenia.
  - Pred vložením vrečka do rúry odstráňte drôtené spony z papierových alebo plastových vreciek.
  - Ak spozorujete dym, vypnite alebo odpojte spotrebič a nechajte dvierka zatvorené, aby ste udusili všetok plameň.
  - Nepoužívajte vnútro rúry na skladovacie účely. Ak sa nepoužíva, nenechávajte vo vnútri papierové výrobky, kuchynské potreby ani jedlo.
  - Mikrovlnná rúra je určená na ohrev jedál a nápojov. Sušenie odevov a zahrievanie ohrievacích podložiek, papuč, špongií, vlhkej handričky a podobných výrobkov môže spôsobiť riziko poranenia, vznietenia alebo požiaru.
8. **UPOZORNENIE!** Kvapalná alebo iné potraviny sa nesmú zahrievať v uzavretých nádobách, pretože by mohli vybuchnúť.
9. Ohrievanie nápoja mikrovlnnou rúrou môže viesť k oneskorenému erupčivému varu, preto sa pri manipulácii s nádobou musí postupovať opatrne.
10. Nesmažte jedlo v rúre. Horúci olej môže poškodiť časti rúry a príslušenstvo a dokonca spôsobiť popáleniny pokožky.
11. Vajcia v škrupine a celé vajcia varené na tvrdo by sa nemali zahrievať v mikrovlnných rúrach, pretože môžu vybuchnúť aj po ukončení zahrievania v mikrovlnnej rúre.
12. Potraviny s hrubou kožou, ako sú zemiaky, celé tekvice, jablká a gaštany, pred varením prepichnete.
13. Obsah kýmnych fliaš a detských pohárov by sa mal miešať alebo pretrepávať a pred podaním by sa mala skontrolovať teplota, aby sa zabránilo popáleninám.
14. Kuchynské nádoby sa môžu zohriať v dôsledku tepla prenášaného z ohrievaných potravín. Na manipuláciu s nádobami môžu byť potrebné kuchynské chňapky.
15. Nádoby by sa mali skontrolovať, aby sa zabezpečilo, že sú vhodné na použitie v mikrovlnnej rúre.
16. **UPOZORNENIE!** Je nebezpečné, aby akúkoľvek servisnú alebo opravnú operáciu, ktorá zahŕňa odstránenie akéhokoľvek krytu, ktorý poskytuje ochranu pred vystavením mikrovlnnej energii, vykonala osoba, ktorá nie je vyškolená.
17. Táto mikrovlnná rúra je v súlade s normou EN 55011/CISPR 11, v tejto norme patrí do triedy B skupiny 2. Zariadenie skupiny 2: skupina 2 obsahuje všetky rádiové frekvenčné zariadenia ISM, v ktorých sa úmyselne vyrába a používa



rádiofrekvenčná energia vo frekvenčnom rozsahu 9 kHz až 400 GHz alebo sa používa len lokálne vo forme elektromagnetického žiarenia, indukčného a/alebo kapacitného spojenia na úpravu materiálu, na účely inšpekcie/analýzy alebo na prenos elektromagnetickej energie. Zariadenie triedy B je zariadenie vhodné na používanie na miestach v obytných prostrediach a v zariadeniach priamo pripojených k sieti nízkonapäťového napájania, ktorou sú napájané budovy používané na bývanie.

18. Tento spotrebič nie je určený na použitie osobami (vrátane detí) so zníženými fyzickými, zmyslovými či duševnými schopnosťami, alebo osobami bez žiadnej znalosti, pokiaľ nie sú pod dozorom alebo neboli vopred poučené o používaní spotrebiča osobou zodpovednou za ich bezpečnosť.
19. Deti by mali byť pod dozorom, aby sa zaistilo, že sa nebudú hrať so zariadením.
20. Mikrovlnná rúra sa používa len ako voľne stojaca.
21. **UPOZORNENIE!** Neinštalujte rúru nad hornú časť varnej dosky alebo iný tepelný spotrebič. Ak by ste ju tam inštalovali, mohlo by dôjsť k poškodeniu a záruka by sa ukončila.
22. Mikrovlnná rúra sa nesmie umiestniť do skrine.
23. Dvere alebo vonkajší povrch sa môžu zohriať, keď je spotrebič v prevádzke.
24. **UPOZORNENIE!** Prístupné časti sa môžu počas používania zohriať. Malé deti by mali byť mimo dosahu.
25. Spotrebič sa pri používaní zahrieva na vysokú teplotu. Dávajte pozor, aby ste sa nedotkli vyhrievacích prvkov platničky a na pečenie vo vnútri rúry.
26. Teplota prístupných povrchov môže byť počas prevádzky spotrebiča vysoká.
27. Spotrebič nesmú používať deti alebo osoby so zníženými fyzickými, zmyslovými alebo mentálnymi schopnosťami alebo nedostatkom skúseností a znalostí, pokiaľ nie sú pod dozorom alebo boli poučení.
28. **UPOZORNENIE!** Ak sú dvierka alebo tesnenia dvierok poškodené, rúra nesmie byť v prevádzke, kým ju neopraví kompetentná osoba.
29. V návode sa uvádza, že spotrebiče nie sú určené na prevádzku pomocou externého časovača alebo samostatného diaľkového ovládacieho systému.
30. Mikrovlnná rúra je určená len na použitie v domácnosti a nie na komerčné účely.
31. Nikdy neodstraňujte dištančnú lištu vzadu alebo po stranách, pretože zabezpečuje minimálnu vzdialenosť od steny pre cirkuláciu vzduchu.
32. Pred presunom spotrebiča zaistíte otočný tanier, aby nedošlo k poškodeniu.
33. **UPOZORNENIE!** Je nebezpečné, ak spotrebič opravuje alebo servisuje osoba, ktorá nie je špecialistom, pretože za týchto okolností je potrebné odstrániť kryt, ktorý zabezpečuje ochranu pred mikrovlnným žiarením. Platí to aj pre výmenu napájacieho kábla alebo osvetlenia. V týchto prípadoch pošlite spotrebič do nášho servisného strediska.

34. Mikrovlnná rúra je určená len na rozmrazovanie potravín, ich varenie a varenie v pare.
35. Ak vyberáte akékoľvek zohriate jedlo, použite rukavice.
36. Pozor! Pri otváraní viečok alebo baliacej fólie uniká para.
37. Tento spotrebič môžu používať deti staršie než 8 rokov a osoby so zníženými telesnými, zmyslovými alebo duševnými schopnosťami alebo s nedostatkom skúseností a znalostí, len ak sú pod dozorom alebo dostali pokyny o používaní zariadenia bezpečným spôsobom a ak chápu nebezpečenstvá s ním súvisiace. Deti sa nesmú hrať so spotrebičom. Čistenie a údržbu používateľa nesmú vykonávať deti, pokiaľ nie sú staršie ako 8 rokov a nie sú pod dohľadom.
38. Ak sa tvorí dym, vypnite alebo odpojte spotrebič a nechajte dvierka zatvorené, aby ste udusili prípadný plameň.

## Návod na inštaláciu

1. Uistite sa, či sú zvnútra rúry odstránené všetky obalové materiály.
2. **UPOZORNENIE!** Skontrolujte, či rúra nie je poškodená, ako sú nesprávne zarovnané alebo ohnuté dvierka, poškodené tesnenia dvierok a tesniaci povrch, poškodené alebo uvoľnené závesy dvierok a zámky a zuby vo vnútri rúry alebo na dvierkach. Ak dôjde k poškodeniu, rúru nepoužívajte a kontaktujte kvalifikovaný servisný personál.
3. Táto mikrovlnná rúra sa musí umiestniť na rovný, stabilný povrch, ktorý udrží jej hmotnosť a najťažšie jedlo, ktoré sa pravdepodobne bude pripravovať v rúre.
4. Neumiestňujte rúru tam, kde vzniká teplo, vlhko alebo vysoká vlhkosť, alebo v blízkosti horľavých materiálov.
5. Pre správnu prevádzku musí mať rúra dostatočný prietok vzduchu. Ponechajte minimálne 20 cm voľného priestoru nad horným povrchom rúry a 5 cm na oboch stranách. Zadný plech mikrovlnnej rúry musí byť umiestnený blízko steny. Nezakrývajte ani neblokujte žiadne otvory na spotrebiči. Neodstraňujte nožičky.
6. Nepoužívajte rúru bez skleneného taniera, valčekového prstenca a hriadeľa v ich správnej polohe.
7. Uistite sa, či napájací kábel nie je poškodený a či neprechádza pod rúrou ani cez horúci alebo ostrý povrch.
8. Zásuvka musí byť dobre prístupná, aby bolo možné spotrebič, v prípade nebezpečenstva, ľahko odpojiť od siete.
9. Nepoužívajte rúru vonku.

# POKYNY NA UZEMNENIE

Tento spotrebič musí byť uzemnený. Táto rúra je vybavená káblom, ktorý má uzemňovací vodič s uzemňovacou zástrčkou. Musí byť zapojený do takej zásuvky, ktorá je správne nainštalovaná a uzemnená. V prípade elektrického skratu uzemnenie znižuje riziko úrazu elektrickým prúdom tým, že poskytuje elektrickému prúdu únikový vodič. Odporúča sa, aby bol k dispozícii samostatný okruh slúžiaci len pre rúru. Použitie vysokého napätia je nebezpečné a môže mať za následok požiar alebo inú nehodu spôsobujúcu poškodenie rúry.

**UPOZORNENIE!** Nesprávne používanie uzemňovacej zástrčky môže spôsobiť riziko úrazu elektrickým prúdom.

Poznámka:

1. Ak máte akékoľvek otázky týkajúce sa uzemnenia alebo elektrických pokynov, poraďte sa s kvalifikovaným elektrikárom alebo servisným technikom.
2. Výrobca ani predajca nemôžu prevziať žiadnu zodpovednosť za poškodenie rúry alebo zranenie osôb v dôsledku nedodržania postupov elektrického pripojenia.

Drôty v tomto káblovom vedení sú sfarbené v súlade s nasledujúcim kódom:

**Zelená a žltá = UZEMNENIE**

**Modrá = NEUTRÁL**

**Hnedá = FÁZA**

## Rádiové rušenie

Prevádzka mikrovlnnej rúry môže spôsobiť rušenie rádiového, televízneho alebo podobného zariadenia. Ak dôjde k rušeniu, môže sa znížiť alebo eliminovať nasledovnými opatreniami:

1. Vyčistite dvierka a tesniaci povrch rúry.
2. Presmerujte prijímaciu anténu rádia alebo televízie.
3. Mikrovlnnú rúru premiestnite s ohľadom na prijímač.
4. Presuňte mikrovlnnú rúru od prijímača.
5. Zapojte mikrovlnnú rúru do inej zásuvky tak, aby boli mikrovlnná rúra a prijímač pripojené k rôznym vetvám obvodu.

## Pred zavolaním servisu

Pred vyžiadaním servisu skontrolujte každú položku nižšie:

- Skontrolujte, či je rúra bezpečne zapojená. Ak nie, vyťahnite zástrčku zo zásuvky, počkajte 10 sekúnd a znovu ju bezpečne zapojte.

- Skontrolujte, či nie je spálená poistka obvodu alebo vypnutý hlavný istič. Ak sa zdá, že tieto zariadenia fungujú správne, otestujte zásuvku iným spotrebičom.
- Skontrolujte, či je ovládací panel správne naprogramovaný a časovač je nastavený.
- Skontrolujte, či sú dvierka bezpečne zatvorené s použitím systému zámku dvierok.

Ak dvierka nie sú správne zatvorené, vo vnútri nebude prúdiť mikrovlnná energia.

**AK ŽIADNE Z VYŠŠIE UVEDENÝCH OPATRENÍ NEVYRIEŠI PROBLÉM, KONTAKTUJTE KVALIFIKOVANÉHO TECHNIKA. NEPOKÚŠAJTE SA RÚRU NASTAVIŤ ANI OPRAVIŤ SAMI.**

## Techniky varenia

1. Opatrne pripravte potraviny. Najhrubšie miesta umiestnite smerom von z taniera.
2. Sledujte čas prípravy jedla. Varte čo najkratšie a podľa potreby ho predĺžte. Silne prehriate jedlo môže dymiť alebo sa môže vznietiť.
3. Počas varenia zakryte potraviny. Kryty zabraňujú rozstreknutiu a pomáhajú rovnomernému vareniu potravín.
4. Počas mikrovlnnej prípravy jedla jedenkrát otočte jedlo, aby ste urýchlili varenie takých potravín, ako sú kurča a hamburgery. Veľké kusy, ako sú pečienky, sa musia otočiť aspoň raz.
5. Jedlo ako mäsové guľky uprostred varenia premiešajte tak, aby sa guľky zdola dostali nahor a guľky zo stredu taniera na okraj.

## Sprievodca kuchynskými nádobami

1. Mikrovlny nemôžu preniknúť cez kov. Používajte len také nádoby, ktoré sú vhodné na použitie v mikrovlnných rúrach. Kovové nádoby na potraviny a nápoje nie sú počas mikrovlnnej prípravy jedla povolené. Táto požiadavka sa neuplatňuje, ak výrobca špecifikuje veľkosť a tvar kovových nádob vhodných na mikrovlnnú prípravu jedla.
2. Mikrovlny nemôžu preniknúť cez kov, preto by sa nemali používať kovové nádoby alebo riady s kovovým lemovaním.
3. Výrobky z recyklovaného papiera nepoužívajte pri mikrovlnnej príprave jedla, pretože môžu obsahovať malé kovové úlomky, ktoré môžu spôsobiť iskry a/alebo požiare.
4. Odporúčame zvoliť radšej okrúhle alebo oválne nádoby, pretože v obdĺžnikových a štvorcových sa môže jedlo v rohoch prehrievať.
5. Na zabránenie prehriatia exponovaných plôch sa môžu použiť úzke pásy hliníkovej fólie. Ale buďte opatrní, nepoužívajte jej príliš veľa a udržiavajte vzdialenosť 2,54 cm medzi fóliou a stenou vnútra.

Zoznam uvedený nižšie je všeobecným sprievodcom, ktorý vám pomôže vybrať správne nádoby.

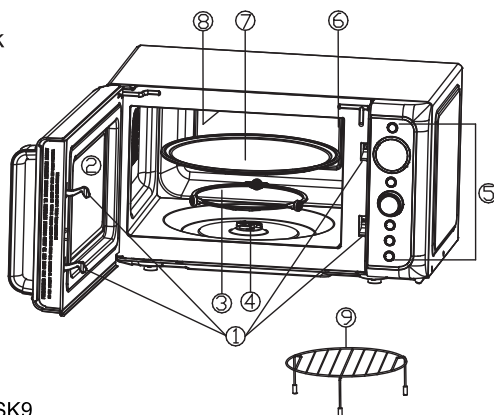
RIAD	MIKROVLNA	GRIL	KOMBINOVANÉ VARENIE
Tepelne odolné sklo	Áno	Áno	Áno
Sklo, ktoré nie je odolné voči teplu	Nie	Nie	Nie
Keramika odolná voči teplu	Áno	Áno	Áno
Plastový riad bezpečný pre mikrovlnnú rúru	Áno	Nie	Nie
Kuchynský papier	Áno	Nie	Nie
Kovový tanier	Nie	Áno	Nie
Kovový stojan	Nie	Áno	Nie
Hliníkové fólie a fóliové obaly	Nie	Áno	Nie

## Špecifikácie

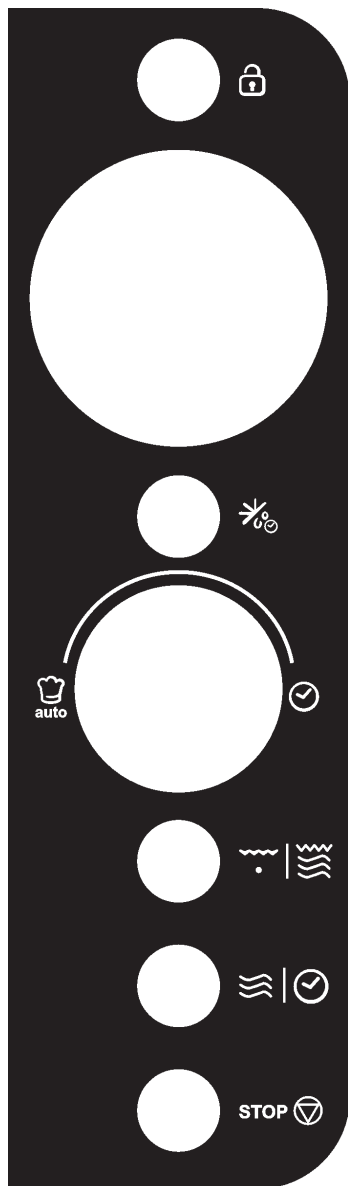
Príkon:	230 V/50 Hz, 1200 W (mikrovlnná rúra)
	900 W (gril)
Menovitý výkon mikrovlnnej rúry:	700 W
Prevádzková frekvencia:	2450 MHz
Vonkajšie rozmery:	262 mm (V) × 452 mm (Š) × 369 mm (H)
Rozmery vnútra rúry:	198 mm (V) × 315 mm (Š) × 297 mm (H)
Objem rúry:	20 litrov
Čistá hmotnosť:	Pribl. 11kg

## Schéma produktu

1. Systém bezpečnostného zámku dvierok
2. Okienko rúry
3. Valčekový prstenec
4. Hriadeľ
5. Ovládací panel
6. Vlnovod (neodstraňujte sľudový panel pokrývajúci vlnovod)
7. Sklenený tanier
8. Ohrievač grilu
9. Kovový stojan



# Ovládací panel



- **DISPLEJ**

Zobrazuje čas prípravy jedla, výkon, indikátory a aktuálny čas.

- **ZÁMOK** 

Stlačte pre nastavenie funkcie stlmenia. Použite na nastavenie detskej poisťky.

- **RÝCHLE ROZMRAZOVANIE** 

Stlačením nastavíte program rozmrazovania na základe času.

- **PONUKA/ČAS (gombík)**  

Otočte pre nastavenie času alebo vyberte ponuku automatického varenia.

- **ŠTART/RÝCHLY ŠTART (gombík)**

Stlačením gombíka spustíte program varenia alebo rozmrazovania.

Jednoducho ho niekoľkokrát stlačte, aby ste nastavili čas prípravy jedla a okamžite ho uvarili pri plnom výkone.

- **GRIL/KOMBINOVANÉ VARENIE.**  | 

Stlačte pre nastavenie programu prípravy jedla grilom.

Stlačením vyberte jedno z dvoch nastavení kombinovaného varenia.

- **NAPÁJANIE/HODINY**  | 


Stlačením nastavíte úroveň výkonu mikrovlnnej prípravy jedla.

Stlačte pre nastavenie času hodín.

- **ZASTAVIŤ/ZRUŠIŤ STOP** 

Jedným stlačením dočasne ukončíte prípravu jedla alebo dvoma stlačeniami úplne zrušíte prípravu jedla.

# Návod na obsluhu

- Po prvom zapojení rúry zaznie pípnutie a na displeji sa zobrazia „“ a „1:00“.
- Počas nastavovania prerušeného na asi 30 sekúnd sa rúra vráti do pohotovostného režimu.
- Ak počas varenia raz stlačíte tlačidlo ZASTAVIŤ/ZRUŠIŤ, program sa preruší, potom stlačte tlačidlo ŠTART/RÝCHLY ŠTART, aby ste pokračovali, ale ak stlačíte tlačidlo ZASTAVIŤ/ZRUŠIŤ dvakrát, program sa zruší.
- Po ukončení prípravy jedla sa na obrazovke každé dva minúty zobrazí nápis Koniec so zvukovým signálom každé dve minúty, až kým používateľ nestlačí akékoľvek tlačidlo alebo neotvorí dvierka.
- Elektronicky ovládaný systém mikrovlnnej rúry má funkciu chladenia. Rovnako ako pri každom režime prípravy jedla, pri ktorom čas prípravy jedla presahuje 2 minúty, otvorení dvierok alebo zastavení, bude ventilátor rúry pracovať približne 3 minúty automaticky, aby sa rúra ochladila a predĺžila sa jej životnosť.

## NASTAVENIE HODÍN

---

Toto sú hodiny s 12- alebo 24- hodinovým formátom času. Čas hodín môžete nastaviť na 12 alebo 24 hodín stlačením tlačidla NAPÁJANIE/HODINY v pohotovostnom režime.

1. V pohotovostnom režime stlačte a podržte tlačidlo NAPÁJANIA/HODINY na 3 sekundy, aby ste vybrali hodiny s 12-hodinovým formátom, stlačte ho znova, aby ste vybrali hodiny s 24-hodinovým formátom.
2. Otáčaním tlačidla PONUKA/ČAS nastavte číslicu hodiny.
3. Raz stlačte tlačidlo NAPÁJANIE/HODINY.
4. Otáčaním tlačidla PONUKA/ČAS nastavte minútovú číslicu.
5. Potvrďte stlačením tlačidla NAPÁJANIE/HODINY.

## RÝCHLY ŠTART

---

Túto funkciu použijete na programovanie rúry tak, aby sa pohodlne spustila pri 100 % výkone. V pohotovostnom režime opakovane stlačte tlačidlo ŠTART/RÝCHLY ŠTART, aby ste zadali čas prípravy jedla (každé stlačenie zvyšuje čas prípravy jedla o 30 sekúnd a až o 10 minút), rúra sa automaticky spustí na 100 % úrovne výkonu.

**POZNÁMKA:** Počas varenia môžete pridať čas prípravy jedla stlačením tlačidla ŠTART/RÝCHLY ŠTART.

## MIKROVLNNÁ PRÍPRAVA JEDLA

---

1. Opakovaným stlačením tlačidla NAPÁJANIE/HODINY vyberte úroveň výkonu.
2. Otáčaním tlačidla PONUKA/ČAS v smere hodinových ručičiek zadajte čas prípravy jedla. Najdlhší čas je 95 minút.
3. Stlačte tlačidlo ŠTART/RÝCHLY ŠTART.

**Zvoľte úroveň výkonu stlačením tlačidla NAPÁJANIE/HODINY:**

Stlačte tlačidlo NAPÁJANIE/HODINY	Výkon (displej)
Raz	100 % (100)
Dvakrát	80 % (80)
3-krát	60 % (60)
4-krát	40 % (40)
5-krát	20 % (20)
6-krát	0% (00)

**POZNÁMKA:** Počas prípravy jedla je aktuálna úroveň výkonu viditeľná stlačením tlačidla NAPÁJANIE/HODINY.

## GRIL

---

Grilovanie je zvlášť vhodné pre tenké plátky mäsa, bifteky, rezne, kebaby, údeniny a kúsky kurčaťa. Je vhodné aj na teplé sendviče a gratinované jedlá.

1. Raz stlačte TLAČIDLO GRIL/KOMBINOVANÉ VARENIE.
2. Otáčaním tlačidla PONUKA/ČAS nastavte čas prípravy jedla. Najdlhší čas je 95 minút.
3. Stlačením tlačidla ŠTART/RÝCHLY ŠTART potvrdte.

## KOMBINOVANÉ VARENIE

---

Gril funguje dlhšie ako mikrovlnná rúra v režime prípravy jedla kombinované varenie 1, použité na ryby a gratinovanie. Mikrovlnná rúra však funguje dlhšie ako gril v režime prípravy jedla kombinované varenie 2, použité na puding, omelety, pečené zemiaky a hydinu.

1. V pohotovostnom režime dvakrát alebo 3-krát stlačte tlačidlo GRIL/KOMBINOVANÉ VARENIE, aby ste vybrali „Co-1“ alebo „Co-2“.
2. Otáčaním tlačidla PONUKA/ČAS nastavte čas prípravy jedla. Najdlhší čas je 95 minút.
3. Stlačením tlačidla ŠTART/RÝCHLY ŠTART potvrdte.



## RÝCHLE ROZMRAZOVANIE

---

1. V pohotovostnom režime raz stlačte tlačidlo RÝCHLE ROZMRAZOVANIE.
2. Otáčaním tlačidla PONUKA/ČAS zadajte čas rozmrazovania. Najdlhší čas je 95 minút.
3. Potvrďte stlačením tlačidla ŠTART/RÝCHLY ŠTART.

**POZNÁMKA:** Počas programu rozmrazovania sa systém zastaví a zaznie zvukový signál, aby používateľovi pripomenul, že má potraviny otočiť, a potom stlačte tlačidlo ŠTART/RÝCHLY ŠTART, aby ste pokračovali.

## VARENIE VO VIACERÝCH ETAPÁCH

---

Rúru je možné naprogramovať až na 3 automatické sekvencie mikrovlnnej prípravy jedla.

Predpokladajme, že chcete nastaviť nasledujúci program varenia:

Mikrovlnná príprava jedla



Mikrovlnná príprava jedla (s nižšou úrovňou výkonu)

1. Zadajte prvý program mikrovlnnej prípravy jedla. Nestlačte tlačidlo ŠTART/RÝCHLY ŠTART.
2. Zadajte druhý program mikrovlnnej prípravy jedla.
3. Potvrďte stlačením tlačidla ŠTART/RÝCHLY ŠTART.

**POZNÁMKA:** Ponuky rýchleho štartu, rýchleho rozmrazovania a automatického varenia nie je možné nastaviť pri varení vo viacerých etapách.

## FUNKCIA STLMENIA

---

**Nastavenie:** V pohotovostnom režime raz stlačte tlačidlo ZÁMKU, na displeji sa na 3 sekundy zobrazí „VYPNÚŤ“. Teraz žiadny program a tlačidlo nevydáva žiadny zvuk, a potom sa rúra vráti do pohotovostného režimu.

**Zrušenie:** V režime stlmenia stlačte tlačidlo ZÁMKU jedenkrát, na displeji sa na 3 sekundy zobrazí "zapnuté" a zaznie pípnutie. Teraz sa zvuk všetkých programov a tlačidiel vráti do normálneho stavu a rúra sa vráti do pohotovostného režimu.

## DETSKÁ POISTKA

---

Stlačte, aby sa zabránilo nekontrolovanej prevádzke rúry deťmi.

**Nastavenie:** V pohotovostnom režime stlačte a podržte tlačidlo ZÁMKU po dobu 3 sekúnd, rúra automaticky prejde do režimu detskej poistky a rozsvieti sa kontrolka blokovania. V stave detskej poistky sú všetky tlačidlá deaktivované.

**Zrušenie:** V režime detskej poistky stlačte a podržte tlačidlo ZÁMKU na 3 sekundy, kontrolka zhasne.

## AUTOMATICKÉ VARENIE

V prípade jedla alebo nasledujúceho režimu prípravy jedla nie je potrebné programovať čas prípravy jedla a výkon. Stačí uviesť druh jedla, ktoré chcete variť, ako aj hmotnosť alebo porcie jedla.

1. V pohotovostnom režime jedenkrát otočte gombík PONUKA/ČAS proti smeru hodinových ručičiek, a potom ho otočte, aby ste vybrali kód jedla.
2. Raz stlačte tlačidlo ŠTART/RÝCHLY ŠTART.
3. Otáčaním tlačidla PONUKA/ČAS vyberte hmotnosť jedla alebo porcie.
4. Potvrďte stlačením tlačidla ŠTART/RÝCHLY ŠTART.

### Ponuky automatického varenia:

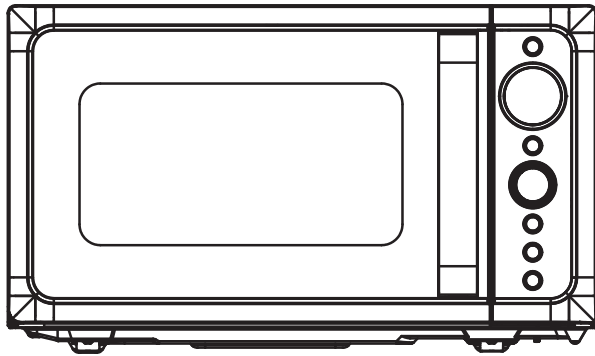
Kód	Jedlo	Poznámka
A-1	Mlieko/káva (200 ml/šálka, 1-3 šálky)	<ol style="list-style-type: none"><li>1. V prípade položiek A-7, A-8 a A-9 sa počas varenia systém zastaví, aby vám pripomenul, že máte potraviny otočiť, potom stlačte tlačidlo ŠTART/RÝCHLY ŠTART, čím sa obnoví rozmrazovanie.</li><li>2. Výsledok automatického varenia závisí od takých faktorov, ako je tvar a veľkosť jedla, vaša osobná preferencia, pokiaľ ide o prepečenie určitých jedál, a dokonca aj od toho, ako umiestnite jedlo v rúre. Ak zistíte, že výsledok nie je v žiadnom prípade úplne uspokojivý, jemne podľa toho upravte čas prípravy jedla.</li></ol>
A-2	Ryža (150 – 600 g)	
A-3	Špagety (100 – 300 g)	
A-4	Zemiaky (230 g/porcia, 1 – 2 porcie)	
A-5	Automatické ohrievanie (200 – 800 g)	
A-6	Ryby (200 – 600 g)	
A-7	Kurča (800 – 1400 g)	
A-8	Hovädzie mäso/baranie mäso (200 – 600 g)	
A-9	Mäso na ražni (100 – 500 g)	

# Čistenie a starostlivosť

1. Vypnite rúru a pri čistení odpojte napájací kábel zo zásuvky.
2. Udržujte vnútro rúry čisté. Keď sa rozstreknuté alebo rozliate tekutiny prilepia na steny rúry, utrite ich vlhkou handričkou. Ak sa rúra veľmi zašpiní, môžu sa použiť jemné čistiace prostriedky. Nepoužívajte spreje ani iné silné čistiace prostriedky. Môžu zanechať na povrchu dvierok škvرنy, šmuhy alebo ho môžu zmatnieť.
3. Vonkajší povrch rúry by sa mal čistiť vlhkou handričkou. Aby sa zabránilo poškodeniu obslužných častí vo vnútri rúry, voda nesmie presiaknuť do vetracích otvorov.
4. Dvierka a okienko na oboch stranách, tesnenia dvierok a prilahlé časti často utierajte vlhkou handričkou, aby ste odstránili všetky rozliate alebo rozstreknuté tekutiny. Nepoužívajte abrazívny čistiaci prostriedok.
5. Parný čistič sa nepoužíva.
6. Nedovoľte, aby sa ovládací panel namočil. Vyčistite ho mäkkou, vlhkou handričkou. Pri čistení ovládacieho panela nechajte dvierka rúry otvorené, aby sa zabránilo náhodnému zapnutiu rúry.
7. Ak sa para nahromadí vo vnútri alebo okolo dvierok rúry, utrite ju mäkkou handričkou. Toto môže nastať, ak je mikrovlnná rúra v prevádzke pri vysokej vlhkosti. Je to bežný jav.
8. Občas je potrebné vybrať sklenený tanier a očistiť ho. Umyte tanier v teplej mydlovej vode alebo v umývačke riadu.
9. Valčekový prstenec a dno rúry by sa mali pravidelne čistiť, aby sa zabránilo nadmernému hluku. Jednoducho utrite dno rúry jemným čistiacim prostriedkom. Valčekový prstenec sa môže umývať v jemnej mydlovej vode alebo v umývačke riadu. Pri demontáži valčekového prstenca ho nezabudnite dať naspäť v správnej polohe.
10. Zápach z rúry odstránite kombináciou šálky vody so šťavou a kožou jedného citrónu v miske do mikrovlnnej rúry. Zapnite mikrovlnnú rúru na 5 minút. Dôkladne ju utrite a vysušte mäkkou handričkou.
11. Ak sa vypáli žiarovka, požiadajte zákaznícky servis o jej výmenu.
12. Rúra by sa mala pravidelne čistiť a všetky usadeniny potravín by sa mali odstrániť. Neudržiavanie rúry v čistom stave môže viesť k poškodeniu povrchu, ktoré by mohlo nepriaznivo ovplyvniť životnosť zariadenia a spôsobiť nebezpečenstvo.
13. Tento spotrebič nevyhadzujte do domáceho odpadu. Mal by byť zlikvidovaný v špeciálnom zbernom dvore, ktorý zriadila obec.
14. Pri prvom použití mikrovlnnej rúry s funkciou grilu sa môže vytvoriť mierny dym a

zápach. Je to bežný jav, pretože rúra je vyrobená z ocelového plechu potiahnutého mazacím olejom a nová rúra bude produkovať výpary a zápach, ktorý vzniká spaľovaním mazacieho oleja. Tento jav zmizne po určitej dobe používania.

# Інструкції для мікрохвильової печі



Модель: DIVO G20CR  
DIVO G20CC  
DIVO G20CMB  
DIVO G20CO  
DIVO G20CG

Будь ласка, уважно прочитайте ці інструкції перед встановленням  
та експлуатацією мікрохвильової печі.

## ДЕКЛАРАЦІЯ ВІДПОВІДАЛЬНОСТІ

---



Розміщуючи позначку на цьому виробі, ми підтверджуємо відповідність усім відповідним європейським вимогам щодо безпеки, здоров'я та довкілля, які застосовуються в законодавстві щодо цього продукту.

## УПРАВЛІННЯ ВІДХОДАМИ ТА ОХОРОНА ЕКОЛОГІЇ

---



Цей прилад має маркування відповідно до Європейської Директиви 2012/19 / ЄС щодо електричних та електронних приладів (WEEE). WEEE містить як забруднюючі речовини (які можуть негативно впливати на навколишнє середовище), так і базові елементи (які можуть бути використані повторно.) Важливо, щоб WEEE проходили специфічні процедури для правильного видалення та утилізації забруднюючих речовин та відновлення всіх матеріалів.

Люди можуть відігравати важливу роль у забезпеченні того, щоб WEEE не стало екологічною проблемою; важливо дотримуватися кількох основних правил:

- WEEE не слід поводитися з побутовими відходами
- WEEE слід перевозити на спеціальні місця збору, якими управляє міська рада або зареєстрована компанія.

У багатьох країнах вітчизняні колекції можуть бути доступні для великих WEEE. Купуючи новий прилад, старий можна повернути продавцю, який повинен прийняти його безкоштовно як одноразовий, доки пристрій має аналогічний тип і виконує ті ж функції, що і придба н и й прилад.

# Зміст

<b>ЗМІСТ</b> .....	<b>2</b>
<b>ЗАХОДИ БЕЗПЕКИ ДЛЯ УНИКНЕННЯ МОЖЛИВОГО НАДМІРНОГО ВПЛИВУ МІКРОХВИЛЬОВОЇ ЕНЕРГІЇ</b> .....	<b>3</b>
<b>ВАЖЛИВІ ІНСТРУКЦІЇ З ТЕХНІКИ БЕЗПЕКИ</b> .....	<b>3</b>
<b>ПОСІБНИК ЗІ ВСТАНОВЛЕННЯ</b> .....	<b>7</b>
<b>ІНСТРУКЦІЇ ЩОДО ЗАЗЕМЛЕННЯ</b> .....	<b>7</b>
<b>РАДІОПЕРЕШКОДИ</b> .....	<b>8</b>
<b>ПЕРЕД ВИКЛИКОМ СЛУЖБИ</b> .....	<b>8</b>
<b>МЕТОДИ ПРИГОТУВАННЯ</b> .....	<b>9</b>
<b>ІНСТРУКЦІЇ ЩОДО ПОСУДУ</b> .....	<b>9</b>
<b>ТЕХНІЧНІ ХАРАКТЕРИСТИКИ</b> .....	<b>10</b>
<b>СХЕМА ПРИЛАДУ</b> .....	<b>10</b>
<b>ПАНЕЛЬ УПРАВЛІННЯ</b> .....	<b>11</b>
<b>ІНСТРУКЦІЇ З ЕКСПЛУАТАЦІЇ</b> .....	<b>12</b>
<b>ОЧИЩЕННЯ ТА ДОГЛЯД</b> .....	<b>16</b>

# ЗАХОДИ БЕЗПЕКИ ДЛЯ УНИКНЕННЯ МОЖЛИВОГО НАДМІРНОГО ВПЛИВУ МІКРОХВИЛЬОВОЇ ЕНЕРГІЇ

1. Не намагайтеся використовувати цю мікрохвильову піч із відкритими дверцятами, оскільки робота з відкритими дверцятами може призвести до шкідливого впливу мікрохвильової енергії. Важливо не пошкодити й не змінювати запобіжні блокування.
2. Не розміщуйте будь-який предмет між передньою поверхнею печі та дверцятами, а також не допускайте накопичення на поверхнях ущільнення бруду або залишків мийних засобів.
3. Не використовуйте мікрохвильову піч, якщо вона пошкоджена. Дуже важливо, щоб дверцята печі правильно закривалися і щоб не було пошкоджень
  - а) дверцят (зокрема будь-яких згинань),
  - б) петель та заціпок (зламани або ослаблені),
  - с) ущільнень дверцят та поверхонь ущільнення.
4. Жодна особа, окрім кваліфікованого персоналу із сервісного обслуговування, не повинна здійснювати регулювання або ремонт печі.

## ВАЖЛИВІ ІНСТРУКЦІЇ З ТЕХНІКИ БЕЗПЕКИ

Під час використання електроприладу слід дотримуватися основних запобіжних заходів, зокрема наступних:

**УВАГА!** Для зменшення ризику опіків, ураження електричним струмом, пожежі, травм або впливу надмірної мікрохвильової енергії:

1. Прочитайте всі інструкції перед використанням приладу та збережіть їх для подальшого використання.
2. Використовуйте цей прилад тільки за призначенням, як описано в посібнику. Не використовуйте корозійні хімічні речовини або випари в цьому приладі. Цей тип печі спеціально призначений для нагрівання, приготування або сушіння їжі. Цей прилад не призначений для промислового або лабораторного використання.
3. Не використовуйте мікрохвильову піч, коли вона порожня.
4. Не використовуйте цей прилад, якщо він має пошкоджений шнур або вилку,



якщо він не працює правильно, або якщо він був пошкоджений або падав. У разі, якщо електричний шнур пошкоджено, його повинен замінити виробник, відповідний сервісний представник або кваліфікований фахівець задля уникнення небезпеки.

5. **УВАГА!** Дозволяйте дітям користуватися приладом без нагляду лише після надання відповідних інструкцій, щоб дитина могла безпечно користуватися піччю та розуміти небезпеку неналежного використання.
6. **УВАГА!** Коли прилад працює в комбінованому режимі, діти повинні використовувати його лише під наглядом дорослих через температури, що виробляються
7. Щоб зменшити ризик пожежі в порожнині печі:
  - Під час нагрівання харчових продуктів у пластиковій або паперовій тарі часто перевіряйте піч на наявність займання.
  - Перед тим, як помістити паперові або поліетиленові пакети в піч, зніміть із них будь-які зав'язки.
  - Якщо ви помітили дим, вимкніть або від'єднайте прилад від джерела живлення і тримайте дверцята зачиненими, щоб заглушити будь-яке полум'я.
  - Не використовуйте порожнину для зберігання. Не залишайте паперові вироби, посуд для приготування їжі або їжу в порожнині, коли прилад не використовується.
  - Мікрохвильова піч призначена для розігрівання продуктів харчування та напоїв. Сушіння одягу та розігрівання грілок, тапочок, губок, вологої тканини та інших подібних матеріалів може призвести до травми, займання або пожежі.
8. **УВАГА!** Рідину або інші продукти харчування не слід нагрівати в герметичних контейнерах, оскільки вони можуть вибухнути.
9. Мікрохвильове нагрівання напою може призвести до закипання і розбризкування із затримкою, тому слід бути обережним під час перенесення контейнера.
10. Не смажте їжу в печі. Гаряча олія може пошкодити деталі печі та посуд і навіть призвести до опіків шкіри.
11. Яйця в шкарлупі та цілі зварені круто яйця не слід розігрівати в мікрохвильових печах, оскільки вони можуть вибухнути навіть після закінчення мікрохвильового нагрівання.
12. Перед приготуванням проколюйте продукти з твердою шкіркою, зокрема картоплю, цілі гарбузи, яблука та каштани.
13. Вміст пляшок для годування та банок для немовлят слід перемішати або струсити, а перед подачею перевірити температуру, щоб уникнути опіків.

14. Посуд може стати гарячим через тепло, що передається від нагрітої їжі. Для перенесення посуду можуть знадобитися кухонні рукавички.
15. Слід перевірити посуд, щоб переконатися, що він придатний для використання в мікрохвильовій печі.
16. **УВАГА!** Будь-які операції з обслуговування або ремонту, які передбачають зняття покриття, що забезпечує захист від впливу мікрохвильової енергії, мають виконуватися кваліфікованим фахівцем, в іншому разі це може бути небезпечно.
17. Ця мікрохвильова піч відповідає стандарту EN 55011/CISPR 11, згідно з яким вона належить до класу В групи 2. Обладнання групи 2: група 2 містить усе радіочастотне обладнання з діапазоном частот IS, в якому радіочастотна енергія в діапазоні частот від 9 кГц до 400 ГГц навмисно генерується та використовується або використовується лише локально у вигляді електромагнітного випромінювання, індуктивного та/або ємного з'єднання, для обробки матеріалу, для цілей огляду/аналізу або для передачі електромагнітної енергії. Обладнання класу В — це обладнання, придатне для використання в житлових місцях та в установах, безпосередньо підключених до мережі електропостачання низької напруги, яка живить будівлі, що використовуються для побутових цілей.
18. Цей пристрій не призначений для використання особами (в тому числі дітьми) з обмеженими фізичними, сенсорними або розумовими здібностями, а також особами без необхідного досвіду та знань, якщо вони не перебувають під наглядом або не отримали інструкції щодо використання пристрою з боку особи, яка відповідає за їхню безпеку.
19. Не залишайте дітей без нагляду, а також переконайтеся, що вони не граються з приладом.
20. Мікрохвильова піч використовується лише в автономному режимі.
21. **УВАГА!** Не встановлюйте піч над варильною поверхнею або іншим теплогенеруючим приладом. Під час такого встановлення прилад може бути пошкоджений і гарантія не діятиме.
22. Мікрохвильову піч не слід розміщувати в шафі.
23. Коли прилад працює, дверцята або зовнішня поверхня можуть нагрітися.
24. **УВАГА!** Доступні частини можуть нагріватися під час використання. Малих дітей слід тримати осторонь.
25. Під час використання прилад стає гарячим. Слід бути обережним та не торкатися нагрівальних елементів всередині печі, для приготування вареної їжі та печі.
26. Температура поверхонь у зоні досяжності, може бути високою, коли прилад

- працює.
27. Прилад не повинен використовуватися дітьми або особами з обмеженими фізичними, сенсорними або розумовими здібностями, або з відсутністю досвіду та знань, якщо вони не знаходяться під наглядом або не отримали інструкцій.
  28. **УВАГА!** Якщо дверцята або ущільнення дверцят пошкоджені, піч не можна вмикати, доки вона не буде відремонтована компетентним фахівцем.
  29. У інструкціях повинно бути зазначено, що прилади не призначені для роботи з використанням зовнішнього таймера або окремої системи дистанційного керування.
  30. Мікрохвильова піч призначена лише для побутового використання, а не для комерційного.
  31. Ніколи не знімайте прокладку для збереження відстані в задній частині або збоку, оскільки вона забезпечує мінімальну відстань від стіни для циркуляції повітря.
  32. Будь ласка, закріпіть поворотний стіл перед переміщенням приладу, щоб уникнути пошкоджень.
  33. **УВАГА!** Ремонт або обслуговування приладу повинен здійснювати тільки фахівець, оскільки це потребує зняття кришки, яка забезпечує захист від мікрохвильового випромінювання. Це стосується також заміни шнура живлення або освітлення. У таких випадках відправте прилад до нашого сервісного центру.
  34. Мікрохвильова піч призначена лише для розморожування, приготування та пропарювання їжі.
  35. Використовуйте рукавички, якщо ви виймаєте будь-які нагріті продукти харчування.
  36. Застереження! Під час відкривання кришки чи розгортання фольги вийде пара.
  37. Даний пристрій може використовуватися дітьми віком від 8 років та особами з обмеженими фізичними, сенсорними або розумовими здібностями, а також особами без необхідного досвіду та знань, якщо вони перебувають під наглядом або отримали інструкції щодо безпечного використання пристрою і розуміють можливу небезпеку. Не дозволяйте дітям гратися з пристроєм. Очищення та технічне обслуговування не має здійснюватися дітьми віком до 8 років та без нагляду.
  38. У разі виділення диму, вимкніть або від'єднайте прилад від джерела живлення і тримайте дверцята зачиненими, щоб заглушити будь-яке полум'я.

# Посібник зі встановлення

1. Переконайтеся, що всі пакувальні матеріали видалені зсередини приладу.
2. **УВАГА!** Перевірте піч наявність будь-яких пошкоджень, таких як неправильно вирівняних або зігнутих дверцят, пошкодженого ущільнення дверцят та поверхонь ущільнення, зламаних або ослаблених петель дверцят, защіпок та вм'ятин усередині порожнини або на дверцятах. У разі будь-яких пошкоджень не використовуйте піч та зверніться до кваліфікованого персоналу із сервісного обслуговування.
3. Цю мікрохвильову піч потрібно розмістити на плоскій, стабільній поверхні, щоб утримувати її вагу та найважчу їжу, яка, ймовірно, буде приготована в печі.
4. Не встановлюйте піч там, де утворюється тепло або висока вологість, або поблизу горючих матеріалів.
5. Для правильної роботи піч повинна мати достатній потік повітря. Залиште щонайменше 20 см потрібного вільного простору над верхньою поверхнею печі та 5 см з обох боків. Задня пластина мікрохвильової печі повинна бути розміщена близько до стіни. Не закривайте та не блокуйте будь-які отвори на приладі. Не знімайте ніжки.
6. Не використовуйте піч без скляного лотка, роликової опори та вала в належних положеннях.
7. Переконайтеся, що шнур живлення не пошкоджений і не проходить під приладом або над будь-якою гарячою або гострою поверхнею.
8. Розетка повинна бути легкодоступною, щоб прилад можна було легко від'єднати в надзвичайній ситуації.
9. Не використовуйте піч на вулиці.

## ІНСТРУКЦІ ЩОДО ЗАЗЕМЛЕННЯ

Цей прилад повинен бути заземлений. Ця піч обладнана шнуром із заземлюючим дротом та заземлюючою вилкою. Вона повинна бути підключена до настінної розетки, яка правильно встановлена та заземлена. У разі короткого замикання заземлення зменшує ризик ураження електричним струмом, забезпечуючи дріт для відведення електричного струму. Рекомендується забезпечити окремий контур, що обслуговує лише мікрохвильову піч. Використання високої напруги є небезпечним і може призвести до пожежі або іншої аварії, що призведе до пошкодження печі.

**УВАГА!** Неправильне використання вилки заземлення може створити ризик ураження електричним струмом.

Примітка:

1. Якщо у вас виникають запитання щодо інструкцій із заземлення або електрики, зверніться до кваліфікованого електрика або фахівця із сервісного обслуговування.
2. Ні виробник, ні дилер не несуть жодної відповідальності за пошкодження печі або травми, спричинені недотриманням процедур електричного підключення. Дроти в цій кабельній мережі мають кольорове позначення відповідно до такого коду:

**Зелений і жовтий = ЗАЗЕМЛЕННЯ**

**Синій = НУЛЬ**

**Коричневий = ФАЗА**

## Радіоперешкоди

Робота мікрохвильової печі може спричинити перешкоди для радіо, телевізора або подібного обладнання. У разі виникнення перешкод вони можуть бути зменшені або усунені шляхом вжиття наступних заходів:

1. Очистіть дверцята та поверхню ущільнення печі.
2. Переорієнтуйте приймальну антену радіо або телебачення.
3. Перемістіть мікрохвильову відносно приймача.
4. Перемістіть мікрохвильову піч подальше від приймача.
5. Підключіть мікрохвильову піч до іншої розетки так, щоб вона та приймач були на різних гілках.

## Перед викликом служби

Перш ніж подати запит на обслуговування, перевірте кожен пункт нижче:

- Перевірте, чи піч підключена надійно. Якщо ні, витягніть вилку з розетки, зачекайте 10 секунд та знову надійно підключіть її.
- Перевірте, чи не перегорів запобіжник або чи не вимкнуто головний вимикач. Якщо вони працюють правильно, перевірте розетку за допомогою іншого приладу.
- Перевірте, чи правильно запрограмована панель управління та встановлено таймер.
- Перевірте, щоб дверцята були надійно зачинені, увімкнувши систему блокування дверцят. Якщо дверцята не закриті правильно, мікрохвильова енергія не буде спрямована всередину.

ЯКЩО ЖОДЕН ІЗ НАВЕДЕНИХ ВИЩЕ ПУНКТИВ НЕ ВИПРАВЛЯЄ СИТУАЦІЮ, ЗВЕРНІТЬСЯ ДО КВАЛІФІКОВАНОГО ТЕХНІКА. НЕ НАМАГАЙТЕСЯ НАЛАШТУВАТИ АБО РЕМОНТУВАТИ ПІЧ САМОСТІЙНО.

# Методи приготування

1. Акуратно розкладіть їжу. Покладіть найтовщі ділянки із зовнішнього боку посудини.
2. Спостерігайте за часом приготування. Готуйте протягом найкоротшого зазначеного часу і додайте більше за потреби. Сильно перетримана їжа може диміти або зайнятися.
3. Накрийте продукти під час приготування. Кришка запобігає розбризкуванню і допомагає продуктам готуватися рівномірно.
4. Переверніть їжу один раз під час приготування в мікрохвильовій печі, щоб пришвидшити приготування таких продуктів, як курка та гамбургери. Великі страви, такі як печеня, слід перевернути хоча б один раз.
5. Змініть розташування їжі, наприклад, фрикадельок, щойно мине половина часу приготування, як зверху донизу, так і з центру страви назовні.

# Інструкції щодо посуду

1. Мікрохвильове випромінювання не може проникати крізь метал. Використовуйте тільки посуд, який підходить для використання в мікрохвильових печах. Не дозволяється використовувати металеві контейнери для їжі та напоїв під час приготування в мікрохвильовій печі. Ця вимога не стосується випадків, коли виробник зазначає розмір і форму металевих контейнерів, які підходять для використання в мікрохвильовій печі.
2. Мікрохвильове випромінювання не може проникати крізь метал, тому не слід використовувати металевий посуд або посуд із металевим обрамленням.
3. Не використовуйте перероблені паперові вироби під час приготування в мікрохвильовій печі, оскільки вони можуть містити дрібні металеві фрагменти, які можуть спричинити іскри та/або пожежу.
4. Рекомендується використовувати круглий/овальний посуд, а не квадратний/прямокутний, оскільки їжа в кутах зазвичай перегрівається.
5. Можна використовувати вузькі смужки алюмінієвої фольги для запобігання перегріванню відкритих ділянок. Але будьте обережні, не використовуйте занадто багато фольги й зберігайте відстань 1 дюйм (2,54 см) між фольгою та порожниною.

Нижченаведений список є загальними рекомендаціями, які допоможуть вам вибрати правильний посуд.

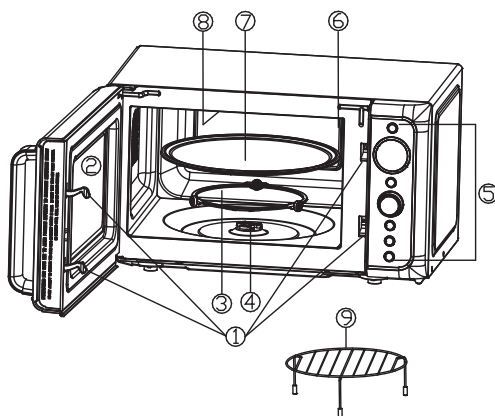
ПОСУД	МІКРОХВИЛЬОВА ПІЧ	ГРИЛЬ	КОМБІНОВАНИЙ РЕЖИМ
Термостійке скло	Так	Так	Так
Не термостійке скло	Ні	Ні	Ні
Термостійка кераміка	Так	Так	Так
Пластиковий посуд, безпечний для мікрохвильового випромінювання	Так	Ні	Ні
Кухонний папір	Так	Ні	Ні
Металевий лоток	Ні	Так	Ні
Металева стійка	Ні	Так	Ні
Алюмінієва фольга та контейнери з фольги	Ні	Так	Ні

## Технічні характеристики

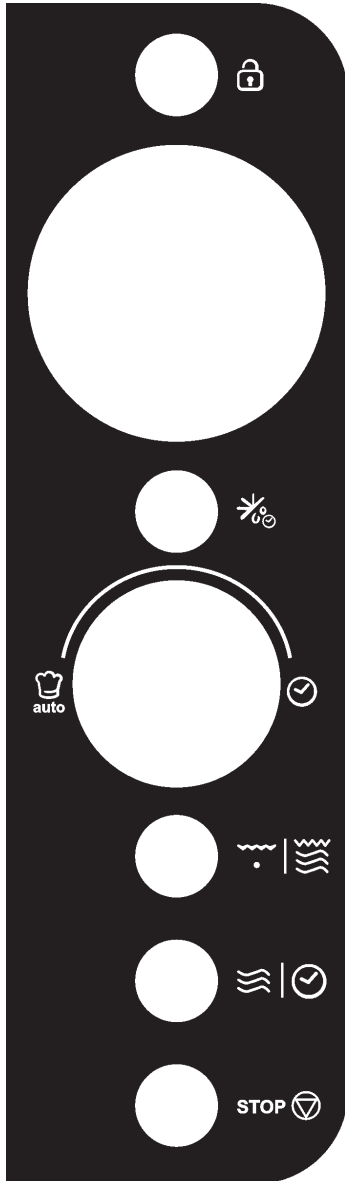
Споживана потужність:	230 В/50 Гц, 1200 Вт (мікрохвильова піч)
	900 Вт (гриль)
Номінальна вихідна потужність мікрохвильової печі:	700 Вт
Робоча частота:	2450 МГц
Зовнішні розміри:	262 мм (В) × 452 мм (Ш) × 369 мм (Г)
Розміри порожнини печі:	198 мм (В) × 315 мм (Ш) × 297 мм (Г)
Об'єм печі:	20 літрів
Вага нетто:	Близько 11 кг

## Схема приладу

1. Система блокування дверцят
2. Віконце печі
3. Роликове кільце
4. Вал
5. Панель управління
6. Хвилевід (Будь ласка, не виймайте мікінат, що покриває хвилевід)
7. Скляний лоток
8. Нагрівач гриля
9. Металева стійка



# Панель управління



- **ДИСПЛЕЙ**

На дисплеї відображаються час приготування, потужність, індикатори та поточний час.

- **БЛОКУВАННЯ**

Натисніть, щоб встановити функцію вимкнення звуку.

Використовуйте для встановлення блокування від дітей.

- **ШВИДКЕ РОЗМОРОЖУВАННЯ**

Натисніть, щоб встановити програму розморожування на основі часу.

- **МЕНЮ/ЧАС (ручка)**

Поверніть, щоб встановити час, або виберіть меню автоматичного приготування.

- **ЗАПУСК/ШВИДКИЙ ЗАПУСК (ручка)**

Натисніть ручку, щоб розпочати приготування або програму розморожування.

Просто натисніть її кілька разів, щоб встановити час приготування, і негайно готуйте на повній потужності.

- **ГРИЛЬ/КОМБІНОВАНИЙ РЕЖИМ** |

Натисніть, щоб встановити програму приготування на грилі.

Натисніть, щоб вибрати одне з двох налаштувань комбінованого приготування.

- **ПОТУЖНІСТЬ/ГОДИННИК** |

Натисніть, щоб встановити рівень потужності мікрохвильового приготування.

Натисніть, щоб встановити час годинника.

- **ЗУПИНКА/СКАСSTOP**

Натисніть один раз, щоб тимчасово припинити приготування, або двічі, щоб повністю скасувати приготування.



# Інструкції з експлуатації

- Після першого підключення мікрохвильової печі пролунає звуковий сигнал, а на дисплеї відобразиться "🕒" та "1:00".
- Якщо в процесі налаштування відбудеться перерва на приблизно 30 секунд, піч повернеться в режим очікування.
- Під час приготування, якщо натиснути кнопку ЗУПИНКА/СКАСУВАННЯ один раз, програму буде призупинено, потім натисніть КНОПКУ ЗАПУСК/ШВИДКОГО ЗАПУСКУ, щоб продовжити, але якщо натиснути кнопку ЗУПИНКА/СКАСУВАННЯ двічі, програму буде скасовано.
- Після завершення приготування на екрані з'являтиметься повідомлення "Завершення" зі звуком кожні дві хвилини, поки користувач не натисне будь-яку кнопку або не відкриє дверцята.
- Система електронного керування мікрохвильової печі має функцію охолодження. Що стосується будь-якого режиму приготування, час якого перевищує 2 хвилини, відкрийте дверцята або зупиніть програму, вентилятор печі автоматично працюватиме приблизно 3 хвилини, щоб охолодити піч для подовження її терміну служби.

## Налаштування годинника

---

Це 12- або 24-годинний годинник. Ви можете встановити час годинника в 12- або 24-годинному режимі, натиснувши кнопку ПОТУЖНІСТЬ/ГОДИННИК у режимі очікування.

1. У режимі очікування натисніть і утримуйте кнопку ПОТУЖНІСТЬ/ГОДИННИК протягом 3 секунд, щоб вибрати 12-годинний годинник, а потім натисніть ще раз, щоб вибрати 24-годинний годинник.
2. Поверніть ручку МЕНЮ/ЧАС, щоб встановити цифру години.
3. Натисніть кнопку ПОТУЖНІСТЬ/ГОДИННИК один раз.
4. Поверніть ручку МЕНЮ/ЧАС, щоб встановити цифру хвилини.
5. Натисніть кнопку ПОТУЖНІСТЬ/ГОДИННИК, щоб підтвердити.

## Швидкий запуск

---

Використовуйте цю функцію, щоб запрограмувати піч для зручного запуску на 100% потужності. У режимі очікування, натисніть кнопку ЗАПУСК/ШВИДКИЙ ЗАПУСК кілька разів, щоб увести час приготування (кожне натискання збільшує на 30 секунд; максимальне значення — до 10 хвилин), піч запуститься автоматично на 100% потужності.

**ПРИМІТКА:** Під час приготування ви можете додати час приготування, натиснувши кнопку ЗАПУСК/ШВИДКИЙ ЗАПУСК.

## **ПРИГОТУВАННЯ В МІКРОХВИЛЬОВІЙ ПЕЧІ**

---

1. Натисніть кнопку ПОТУЖНІСТЬ/ГОДИННИК кілька разів, щоб вибрати рівень потужності.
2. Поверніть ручку МЕНЮ/ЧАС за годинниковою стрілкою, щоб ввести час приготування. Найдовший час — 95 хвилин.
3. Натисніть кнопку ЗАПУСК/ШВИДКИЙ ЗАПУСК.

**Виберіть рівень потужності, натиснувши кнопку ПОТУЖНІСТЬ/ГОДИННИК:**

Натисніть кнопку ПОТУЖНІСТЬ/ГОДИННИК	Потужність (дисплей)
Один раз	100% (100)
Двічі	80% (80)
Тричі	60% (60)
4 рази	40% (40)
5 разів	20% (20)
6 рази	0% (00)

**ПРИМІТКА:** Під час приготування, поточний рівень потужності можна побачити, натиснувши кнопку ПОТУЖНІСТЬ/ГОДИННИК.

## **Гриль**

---

Приготування на грилі особливо корисно для тонких шматочків м'яса, стейків, котлет, шашликів, ковбасок та шматочків курки. Він також підходить для гарячих бутербродів та панірованих страв.

1. Натисніть кнопку ГРИЛЬ/КОМБІНОВАНИЙ РЕЖИМ один раз.
2. Поверніть ручку МЕНЮ/ЧАС, щоб встановити час приготування. Найдовший час — 95 хвилин.
3. Натисніть ЗАПУСК/ШВИДКИЙ ЗАПУСК, щоб підтвердити.

## **КОМБІНОВАНИЙ РЕЖИМ**

---

Гриль працює більше часу, ніж мікрохвильова піч у комбінованому режимі 1, використовується для риби і панірованих страв. Але мікрохвильова піч працює більше часу, ніж гриль в комбінованому режимі 2, використовується для пудингу, омлетів, запеченої картоплі та домашньої птиці.

1. У режимі очікування двічі або тричі натисніть кнопку ГРИЛЬ/КОМБІНОВАНИЙ РЕЖИМ, щоб вибрати "Co-1" або "Co-2".

2. Поверніть ручку МЕНЮ/ЧАС, щоб встановити час приготування. Найдовший час — 95 хвилин.
3. Натисніть ЗАПУСК/ШВИДКИЙ ЗАПУСК, щоб підтвердити.

### **ШВИДКЕ РОЗМОРОЖУВАННЯ**

---

1. У режимі очікування натисніть кнопку ШВИДКЕ РОЗМОРОЖУВАННЯ один раз.
2. Поверніть ручку МЕНЮ/ЧАС, щоб Увести час розморожування. Найдовший час — 95 хвилин.
3. Натисніть кнопку ЗАПУСК/ШВИДКИЙ ЗАПУСК для підтвердження.

**ПРИМІТКА:** Під час програми розморожування система призупиниться та пролунає звуковий сигнал, щоб нагадати користувачеві перевернути їжу, після цього натисніть кнопку ЗАПУСК/ШВИДКИЙ ЗАПУСК, щоб продовжити.

### **БАГАТОЕТАПНЕ ПРИГОТУВАННЯ**

---

Вашу піч можна запрограмувати на 3 автоматичні послідовності мікрохвильового приготування.

Припустимо, ви хочете встановити наступну програму приготування:

Приготування в мікрохвильовій печі



Приготування в мікрохвильовій печі (з нижчим рівнем потужності)

1. Уведіть першу програму приготування в мікрохвильовій печі. Не натискайте ЗАПУСК/ШВИДКИЙ ЗАПУСК.
2. Уведіть другу програму приготування в мікрохвильовій печі.
3. Натисніть кнопку ЗАПУСК/ШВИДКИЙ ЗАПУСК для підтвердження.

**ПРИМІТКА:** Меню швидкого запуску, швидкого розморожування та автоматичного приготування не можна налаштувати під час багатоетапного приготування.

### **ФУНКЦІЯ ВИМКНЕННЯ ЗВУКУ**

---

**Щоб встановити:** У режимі очікування натисніть кнопку БЛОКУВАННЯ один раз, на дисплеї протягом 3 секунд відобразиться OFF (ВИМКНЕНО). У такому разі всі програми та кнопки не матимуть звукових підказок, а піч повернеться в режим очікування.

**Щоб скасувати:** У режимі вимкненого звуку натисніть кнопку БЛОКУВАННЯ один раз, на дисплеї протягом 3 секунд відобразиться ON (УВИМКНЕНО) та лунатиме звуковий сигнал. У такому разі звук усіх програм та кнопок повернеться до нормального стану, а піч повернеться в режим очікування.

## ФУНКЦІЯ БЛОКУВАННЯ ВІД ДІТЕЙ

Натисніть, щоб запобігти використанню печі дітьми без нагляду.

**Щоб встановити:** У режимі очікування натисніть і утримуйте кнопку БЛОКУВАННЯ протягом 3 секунд, піч автоматично перейде в режим блокування від дітей, а індикатор блокування увімкнеться. У режимі блокування всі кнопки не активні.

**Щоб скасувати:** У режимі блокування від дітей натисніть і утримуйте кнопку БЛОКУВАННЯ протягом 3 секунд, індикатор вимкнеться.

## АВТОМАТИЧНЕ ПРИГОТУВАННЯ

Для продуктів харчування або наступного режиму приготування не потрібно програмувати час приготування та потужність. Достатньо вказати тип їжі, яку ви хочете приготувати, а також її вагу або порції.

1. У режимі очікування поверніть ручку МЕНЮ/ЧАС проти годинникової стрілки один раз, а потім поверніть її, щоб вибрати код їжі.
2. Натисніть кнопку ЗАПУСК/ШВИДКИЙ ЗАПУСК один раз.
3. Поверніть ручку МЕНЮ/ЧАС, щоб вибрати вагу їжі або порції.
4. Натисніть кнопку ЗАПУСК/ШВИДКИЙ ЗАПУСК для підтвердження.

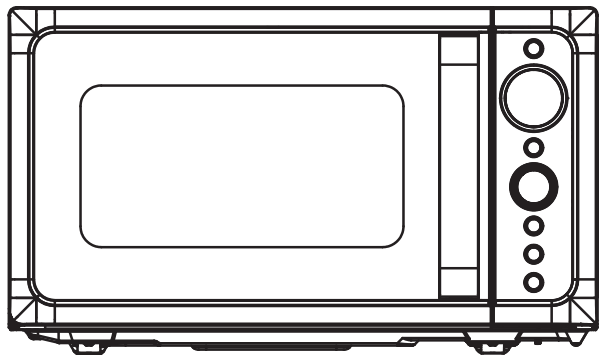
### Меню автоматичного приготування:

Код	Їжа	Примітка
A-1	Молоко/кава (200 мл/чашка, 1-3 чашки)	1. Для продуктів А-7, А-8 та А-9 під час приготування система призупиниться, щоб нагадати вам про необхідність перевернути їжу, після цього натисніть ЗАПУСК/ШВИДКИЙ ЗАПУСК, щоб відновити розморожування. 2. Результат автоматичного приготування залежить від таких факторів, як форма та розмір їжі, ваші особисті уподобання щодо готовності певних продуктів і навіть того, наскільки добре ви помістили їжу в піч. Якщо ви вважаєте результат у будь-якому разі не зовсім задовільним, тріхи відрегулюйте час приготування.
A-2	Рис (150-600 г)	
A-3	Спагеті (100-300 г)	
A-4	Картопля (230 г/порція, 1-2 порції)	
A-5	Автоматичне розігрівання (200-800 г)	
A-6	Риба (200-600 г)	
A-7	Курка (800-1400 г)	
A-8	Яловичина/баранина (200-600 г)	
A-9	М'ясо на шампурі (100-500 г)	

# Очищення та догляд

1. Під час очищення вимкніть піч та від'єднайте кабель живлення від розетки.
2. Тримайте внутрішню частину печі чистою. Коли бризки від їжі або розлиті рідини прилипають до стінок печі, протріть їх вологою тканиною. Якщо піч сильно забруднена, можна використовувати м'які мийні засоби. Уникайте використання розпилювача або інших жорстких очищувачів. Вони можуть залишати плями та смуги на дверцятах або приглушити колір їх поверхні.
3. Зовнішню частину печі слід очищувати вологою тканиною. Щоб запобігти пошкодженню робочих частин всередині печі, не допускайте потрапляння води в вентиляційні отвори.
4. Часто протирайте дверцята та вікно з обох боків, а також ущільнення дверцят та прилеглі частини вологою тканиною, щоб усунути будь-які розливи або бризки. Не використовуйте абразивні очищувачі.
5. Не слід використовувати пароочисник.
6. Запобігайте потраплянню вологи на панель управління. Очищування здійснюйте м'якою вологою тканиною. Під час очищення панелі управління залиште дверцята печі відкритими, щоб запобігти випадковому її ввімкненню.
7. Якщо пара накопичується всередині або навколо зовнішніх дверцят печі, протріть їх м'якою тканиною. Це може виникнути, коли мікрохвильова піч працює в умовах високої вологості. І це нормально.
8. Іноді потрібно виймати скляний піддон для очищення. Мийте піддон у теплій мильній воді або в посудомийній машині.
9. Роликоче кільце та основу печі слід регулярно очищати, щоб уникнути надмірного шуму. Просто протріть нижню поверхню печі м'яким мийним засобом. Роликоче кільце можна промити в м'якій мильній воді або в посудомийній машині. Після виймання роликочого кільця, обов'язково встановіть його назад у правильне положення.
10. Усуньте запахи з печі, наливши чашку води та додавши сік та шкірку лимону в посуд, придатний приготування в мікрохвильовій печі. Увімкніть мікрохвильову піч на 5 хвилин. Ретельно протріть та висушіть м'якою тканиною.
11. Якщо лампочка згорить, зверніться в службу підтримки клієнтів, щоб замінити її.
12. Піч слід регулярно очищати, а будь-які залишки харчових продуктів слід видаляти. Непідтримання чистого стану печі може призвести до погіршення стану поверхні, що може негативно вплинути на термін служби приладу і, можливо, призвести до небезпечної ситуації.
13. Будь ласка, не викидайте цей прилад у контейнер для побутового сміття; його слід утилізувати в спеціалізованому центрі утилізації, створеному міською владою.
14. Коли мікрохвильова піч із функцією гриля використовується вперше, вона може спричинити появу невеликої кількості диму й легкого запаху. Це звичне явище, оскільки піч виготовлена зі сталеві пластини, покритої змазкою, а нова піч вироблятиме випари й запах, що утворюються під час спалювання цієї змазки. Це явище зникне через певний час використання.

# Návod k obsluze mikrovlnné trouby



Model: DIVO G20CR  
DIVO G20CC  
DIVO G20CMB  
DIVO G20CO  
DIVO G20CG

Před instalací a obsluhou trouby si pečlivě přečtěte tento návod.

## PROHLÁŠENÍ O SHODĚ

---



Umístěním značky na tento produkt potvrzujeme shodu se všemi příslušnými evropskými požadavky na bezpečnost, ochranu zdraví a životní prostředí, které jsou platné v právních předpisech pro tento produkt.

### ODPADY A OCHRANA ŽIVOTNÍHO PROSTŘEDÍ

---



Tento spotřebič je označen v souladu s evropskou směrnicí 2012/19 / EU o elektrických a elektronických zařízeních (OEEZ). OEEZ obsahuje jak znečišťující látky (které mohou mít nepříznivý vliv na životní prostředí), tak základní prvky (které lze znovu použít.) Je důležité, aby byl OEEZ podroben specifickým zpracováním, aby se znečišťující látky správně odstranily a zneškodnily a aby byly získány všechny materiály. Jednotlivci mohou hrát důležitou roli při zajišťování toho, aby se OEEZ nestal problémem životního prostředí; je nezbytné dodržovat několik základních

pravidel:

- S OEEZ by se nemělo zacházet jako s domácím odpadem;
- OEEZ by měl být odváděn do vyhrazených sběrných oblastí spravovaných městskou radou nebo registrovanou společností.

V mnoha zemích mohou být pro velké OEEZ k dispozici domácí sbírky. Když si koupíte nový spotřebič, může být starý vrácen prodejci, který jej musí přijmout jako jednorázový poplatek, pokud je spotřebič ekvivalentního typu a má stejné funkce jako zakoupený spotřebič.

# Obsah

<b>OBSAH.....</b>	<b>2</b>
<b>OPATŘENÍ K ZABRÁNĚNÍ MOŽNÉMU VYSTAVENÍ NADMĚRNÉ MIKROVLNNÉ ENERGII ....</b>	<b>3</b>
<b>DŮLEŽITÉ BEZPEČNOSTNÍ POKYNY .....</b>	<b>3</b>
<b>INSTALAČNÍ PŘÍRUČKA .....</b>	<b>6</b>
<b>POKYNY K UZEMNĚNÍ .....</b>	<b>7</b>
<b>RÁDIOVÉ RUŠENÍ.....</b>	<b>7</b>
<b>NEŽ ZAVOLÁTE SERVIS.....</b>	<b>7</b>
<b>TECHNIKY VAŘENÍ.....</b>	<b>8</b>
<b>PRŮVODCE KUCHYŇSKÝM NÁČINÍM .....</b>	<b>8</b>
<b>SPECIFIKACE .....</b>	<b>9</b>
<b>SCHÉMA PRODUKTU .....</b>	<b>9</b>
<b>OVLÁDACÍ PANEL.....</b>	<b>9</b>
<b>NÁVOD K POUŽITÍ .....</b>	<b>11</b>
<b>ČIŠTĚNÍ A PÉČE .....</b>	<b>15</b>



# OPATŘENÍ K ZABRÁNĚNÍ MOŽNÉMU VYSTAVENÍ NADMĚRNÉ MIKROVLNNÉ ENERGII

1. Nepokoušejte se používat tuto troubu s otevřenými dvířky, protože provoz s otevřenými dvířky může mít za následek škodlivé vystavení mikrovlnné energii. Je důležité, abyste neporazili bezpečnostní zámky ani s nimi nemanipulovali.
2. Mezi přední stěnu trouby a dvířka neumísťujte žádné předměty, ani nedovolte, aby se na těsnících plochách hromadila špína nebo zbytky čisticího prostředku.
3. Pokud je trouba poškozená, nepoužívejte ji. Je velmi důležité, aby se dvířka trouby správně zavírala a aby nedošlo k poškození
  - a) Dvířka (včetně jakýchkoli ohnutých),
  - b) Závěsy a západky (prasklé nebo uvolněné),
  - c) Těsnění dvířek a těsnící plochy.
4. Roura by neměla být seřizována ani opravována nikým jiným než kvalifikovaným servisním personálem.

## DŮLEŽITÉ BEZPEČNOSTNÍ POKYNY

Při používání elektrického spotřebiče je třeba dodržovat základní bezpečnostní opatření, včetně následujících:

**UPOZORNĚNÍ!** Pro snížení rizika popálenin, úrazu elektrickým proudem, požáru, zranění osob nebo vystavení nadměrné mikrovlnné energii:

1. Před použitím spotřebiče si přečtete celý návod a uschovejte jej pro budoucí použití.
2. Tento spotřebič používejte pouze pro zamýšlené použití, jak je popsáno v návodu. V tomto spotřebiči nepoužívejte korozivní chemikálie ani páry. Tento typ trouby je speciálně určen k ohřevu, vaření nebo sušení potravin. Není určen pro průmyslové nebo laboratorní použití.
3. Neprovozujte troubu, pokud je prázdná.
4. Nepoužívejte tento spotřebič, pokud má poškozený kabel nebo zástrčku, pokud nepracuje správně nebo pokud byl poškozen nebo spadl. Pokud je napájecí kabel poškozen, musí být vyměněn výrobcem, jeho servisním technikem nebo podobně kvalifikovanou osobou, aby se zabránilo nebezpečí.
5. **UPOZORNĚNÍ!** Děti smí používat troubu bez dozoru pouze tehdy, pokud jim byly

- poskytnuty odpovídající pokyny, aby mohly troubu používat bezpečným způsobem a pochopily nebezpečí spojené s nesprávným použitím.
6. **UPOZORNĚNÍ!** Pokud je spotřebič provozován v kombinovaném režimu, děti by vzhledem k generovaným teplotám měly používat troubu pouze pod dohledem dospělých.
  7. Pro snížení rizika požáru uvnitř trouby:
    - Při ohřevu pokrmů v plastových nebo papírových obalech troubu často kontrolujte, jelikož hrozí riziko vznícení.
    - Před vložením sáčku do trouby odstraňte z papíru nebo plastových sáčků drátěné uzávěry.
    - Pokud se vyskytne kouř, ihned vypněte spotřebič a zástrčku vytáhněte ze zásuvky, dvířka nechte otevřená a případný oheň uhasťte.
    - Nepoužívejte vnitřní prostor trouby pro skladování. Nenechávejte uvnitř papírové výrobky, kuchyňské náčiní nebo potraviny, pokud nejsou používány.
    - Mikrovlnná trouba je určena k ohřevu jídla a nápojů. Sušení oděvů a ohřívání zahřívacích podložek, pantoflů, hub, vlhkých hadrů a podobných předmětů může způsobit poranění, vznícení či požár.
  8. **UPOZORNĚNÍ!** Tekutiny nebo jiné potraviny nesmí být zahřívány v uzavřených nádobách, protože mohou explodovat.
  9. Mikrovlnné ohřívání nápojů může vést k jejich opožděnému bublajícímu vaření, proto při manipulaci s těmito nápoji dbejte zvýšené opatrnosti.
  10. Jídlo v troubě nesmažte. Horký olej může poškodit části trouby a kuchyňské potřeby a dokonce může způsobit popáleniny kůže.
  11. Vajíčka ve skořápce a vajíčka vařená natvrdo by se neměla ve spotřebiči ohřívát, protože mohou explodovat i po dokončení mikrovlnného ohřevu.
  12. Potraviny s tvrdou kůrou před vařením propíchněte, např. brambory, dýně, jablka a kaštiny.
  13. Obsah kojeneckých lahví a lahviček s dětskou výživou je třeba před použitím promíchat nebo s nimi zatřepat, abyste tak předešli popáleninám.
  14. Náčiní na vaření se mohou zahřát v důsledku tepla přenášeného z ohřívání jídla. Pro manipulaci s náčiním mohou být zapotřebí kuchyňské chňapky.
  15. Kuchyňské náčiní je třeba zkontrolovat, aby se zajistilo, že je vhodné k použití v mikrovlnných troubách.
  16. **UPOZORNĚNÍ!** Je nebezpečné pro kohokoli jiného než kvalifikovaného opraváře provádět jakýkoli servis nebo opravy, které zahrnují demontáž krytu, který ochraňuje proti expozici mikrovlnné energii.
  17. Tato mikrovlnná trouba je v souladu s normou EN 55011/CISPR 11, v této normě patří do třídy B skupiny 2. Zařízení skupiny 2: skupina 2 obsahuje všechna

radiofrekvenční zařízení ISM, ve kterých se úmyslně vyrábí a používá radiofrekvenční energie ve frekvenčním rozsahu 9 kHz až 400 GHz, nebo se používá pouze lokálně ve formě elektromagnetického záření, indukčního a/nebo kapacitního spojení na úpravu materiálu, na účely inspekce/analýzy nebo pro přenos elektromagnetické energie. Zařízení třídy B je zařízení vhodné pro použití v obytných prostorách a v zařízeních přímo napojených na nízkonapěťovou elektrickou síť, která napájí budovy používané pro domácí účely.

18. Tento spotřebič nesmějí používat osoby (včetně dětí) se sníženými fyzickými, smyslovými nebo duševními schopnostmi nebo nedostatečnými zkušenostmi a znalostmi, pokud nejsou pod dohledem osoby odpovědné za jejich bezpečnost nebo nebyly touto osobou poučeny ohledně používání spotřebiče.
19. Děti by měly být dohledem, aby se zajistilo, že si se spotřebičem nebudou hrát.
20. Mikrovlnná trouba se používá pouze jako volně stojící.
21. **UPOZORNĚNÍ!** Neinstalujte troubu na horní panel sporáku ani jiné zařízení vydávající teplo. Pokud byla nainstalována, mohla by se poškodit a záruka by byla zrušena.
22. Mikrovlnná trouba nesmí být umístěna ve skříni.
23. Dvířka nebo vnější povrch se mohou při provozu spotřebiče zahřát.
24. **UPOZORNĚNÍ!** Přístupné části se mohou během používání zahřát. Malé děti by měly být drženy v dostatečné vzdálenosti.
25. Během používání se spotřebiče zahřejí. Dávejte pozor, abyste se nedotkli topných prvků ploténky a na pečení uvnitř trouby.
26. Teplota přístupných povrchů může být při provozu spotřebiče vysoká.
27. Spotřebič nesmí používat děti nebo osoby se sníženými fyzickými, smyslovými nebo duševními schopnostmi nebo s nedostatkem zkušeností a znalostí, pokud nebyly pod dohledem nebo poučeny.
28. **UPOZORNĚNÍ!** Pokud jsou dvířka nebo těsnění dvířek poškozena, trouba nesmí být v provozu, dokud ji neopraví kvalifikovaná osoba.
29. V návodu musí být uvedeno, že spotřebiče nejsou určeny k provozu pomocí externího časovače nebo samostatného dálkového ovládání.
30. Mikrovlnná trouba je určena pouze pro použití v domácnosti a ne pro komerční použití.
31. Nikdy neodstraňujte distanční lištu, která se nachází zezadu a na stranách, protože zajišťuje minimální vzdálenost od stěny pro cirkulaci vzduchu.
32. Před přesunem spotřebiče zajistěte otočný talíř, abyste předešli jeho poškození.
33. **POZOR!** Je nebezpečné, jestliže spotřebič opravuje nebo servisuje osoba, která není specialistou, protože za těchto okolností je třeba odstranit kryt, který zajišťuje ochranu před mikrovlnným zářením. To platí i pro výměnu napájecího kabelu nebo

- osvětlení. Spotřebič v těchto případech odešlete do našeho servisního střediska.
34. Mikrovlnná trouba je určena pouze k rozmrazování, vaření a vaření v páře.
  35. Při vybírání jakéhokoli zahřátého jídla používejte rukavice.
  36. Pozor! Při otevírání víček nebo balicí fólie unikne pára.
  37. Tento spotřebič smějí používat děti starší 8 let a osoby se sníženými fyzickými, smyslovými nebo duševními schopnostmi nebo bez patřičných zkušeností a znalostí, pokud jsou pod dohledem osoby odpovědné za jejich bezpečnost, případně byly poučeny o bezpečném používání spotřebiče a rozumějí možným nebezpečím. Děti si se spotřebičem nesmějí hrát. Čištění a údržbu uživatele nesmějí provádět děti, pokud nejsou starší 8 let a nejsou pod dohledem.
  38. Pokud ze spotřebiče vychází kouř, vypněte nebo odpojte jej a nechte dvířka zavřená, aby se případné plameny uhasily.

## Instalační příručka

1. Ujistěte se, že jste z vnitřního prostoru trouby vyjmuli veškerý obalový materiál.
2. **UPOZORNĚNÍ!** Zkontrolujte, zda není trouba nějakým způsobem poškozená, například zda nejsou nevyrovnaná nebo zkřivená dvířka, poškozené nebo uvolněné dveřní závěsy, západky a ozuby uvnitř trouby nebo na dvířkách. Pokud dojde k poškození, troubu nepoužívejte a kontaktujte kvalifikovaný servisní personál.
3. Tato mikrovlnná trouba musí být umístěna na rovném, stabilním povrchu, aby udržela svou hmotnost a nejtěžší potraviny, které mohou být v troubě vařeny.
4. Neumísťujte troubu blízko tepelných zdrojů, na místa se zvýšenou vlhkostí nebo v blízkosti hořlavých materiálů.
5. Pro správnou funkci musí mít trouba dostatečný průtok vzduchu. Ponechte minimálně 20 cm volného prostoru nad horním povrchem trouby a 5 cm na obou stranách. Zadní plech mikrovlnné trouby musí být umístěna blízko stěny. Nezakrývejte ani neblokuje žádné otvory na spotřebiči. Neodstraňujte nožky.
6. Nepoužívejte troubu, jestliže skleněný talíř, válečkový prstenec, podpěra a hřidel nejsou na svém řádném místě.
7. Ujistěte se, že napájecí kabel není poškozený a není umístěn pod troubou ani na horkém nebo ostrém povrchu.
8. Zásuvka musí být snadno přístupná, aby ji bylo možné v případě nouze snadno odpojit.
9. Nepoužívejte troubu venku.

# POKYNY K UZEMNĚNÍ

Tento spotřebič musí být uzemněn. Tato trouba je vybavena kabelem se zemnicím vodičem se zemnicí zástrčkou. Musí být zapojen do zásuvky, která je správně nainstalována a uzemněna. V případě elektrického zkratu snižuje uzemnění riziko úderu elektrickým proudem poskytnutím drátu, po kterém může odtéci elektrický proud. Doporučuje se, aby byl zajištěn samostatný okruh sloužící pouze troubě. Použití vysokého napětí je nebezpečné a může mít za následek požár nebo jinou nehodu způsobující poškození trouby.

**UPOZORNĚNÍ!** Nesprávné použití uzemňovací zástrčky může vést k riziku úrazu elektrickým proudem.

Poznámka:

1. Máte-li jakékoli dotazy týkající se uzemnění nebo elektrických pokynů, poradte se s kvalifikovaným elektrikářem nebo servisním technikem.
2. Výrobce ani prodejce nemohou nést žádnou odpovědnost za poškození trouby nebo zranění osob v důsledku nedodržení postupů elektrického připojení.

Dráty v tomto hlavním kabelu jsou barevné podle následujícího kódu:

**Zelená a žlutá = UZEMNĚNÍ**

**Modrá = NEUTRÁL**

**Hnědá = FÁZE**

## Rádiové rušení

Provoz mikrovlnné trouby může způsobit rušení rádia, televize nebo podobného zařízení. Pokud dojde k rušení, může být sníženo nebo eliminováno následujícími opatřeními:

1. Vyčistěte dvířka a těsnící povrch trouby.
2. Přesměrujte přijímací anténu rádia nebo televize.
3. Přemístěte mikrovlnnou troubu s ohledem na přijímač.
4. Přesuňte mikrovlnnou troubu od přijímače.
5. Zapojte napájecí kabel počítače do jiné zásuvky tak, aby počítač a přijímač byly připojeny k různým větvím obvodu.

## Než zavoláte servis

Než požádáte o servis, zkontrolujte každou položku níže:

- Zkontrolujte, zda je trouba bezpečně zapojena. Pokud ne, vytáhněte zástrčku ze zásuvky, počkejte 10 sekund a znovu ji bezpečně zapojte.

- Zkontrolujte, zda není spálená pojistka obvodu nebo zda není vypnutý hlavní jistič. Pokud se zdá, že fungují správně, otestujte zásuvku jiným spotřebičem.
- Zkontrolujte, zda je ovládací panel správně naprogramován a časovač je nastaven.
- Zkontrolujte, zda jsou dvířka bezpečně zavřená s použitím systému zámku dvířek. Pokud nejsou dvířka správně zavřená, mikrovlnná energie nebude uvnitř proudit.

POKUD NIC Z VÝŠE UVEDENÉHO NEVYŘEŠÍ PROBLÉM, OBRAŤTE SE NA KVALIFIKOVANÉHO TECHNIKA. NESNAŽTE SE TROUBU UPRAVOVAT ANI OPRAVOVAT SAMI.

## Techniky vaření

1. Opatrně připravte jídlo. Nejsilnější oblasti umístěte směrem k vnější straně nádoby.
2. Sledujte dobu přípravy pokrmu. Vařte co nejkratší dobu a podle potřeby přidejte další. Hodně převařené jídlo může kouřit nebo se i vznítit.
3. Během vaření zakryjte jídlo. Kryty zabraňují stříkání a pomáhají rovnoměrnému vaření jídla.
4. Během vaření s mikrovlnami jídlo jako kuře a hamburgery ke zrychlení vaření obraťte. Velké kusy, jako jsou pečeně, musí být otočeny alespoň jednou.
5. Jídlo jako masové kuličky uprostřed vaření promíchejte tak, aby se kuličky zdola dostaly nahoru a kuličky ze středu talíře na okraj.

## Průvodce kuchyňským náčiním

1. Mikrovlny nemohou procházet kovem. Používejte pouze nádobí vhodné pro použití v mikrovlnných troubách. Pro přípravu pokrmů a nápojů v mikrovlnné troubě nesmí být použity kovové nádoby. Tento požadavek neplatí, pokud výrobce uvede velikost a tvar kovových nádob vhodných pro vaření v mikrovlnné troubě.
2. Mikrovlny nemohou procházet kovem, nepoužívejte proto kovové nádobí nebo talíře s kovovým okrajem.
3. Při vaření s mikrovlnami nepoužívejte výrobky z recyklovaného papíru, mohou totiž obsahovat malé úlomky kovu, které by mohly při použití v troubě způsobit jiskření i požár.
4. Doporučujeme zvolit raději kulaté nebo oválné nádoby, protože ve čtvercových nebo obdélníkových se může jídlo v rozích přehřívát.
5. Úzké pásky hliníkové fólie lze použít k zabránění přehřátí exponovaných ploch. Ale buďte opatrní, nepoužívejte příliš mnoho a udržujte vzdálenost 2,54 cm mezi fólií a stěnou.

Níže uvedený seznam je obecným návodem, který vám pomůže vybrat správné nádobí.

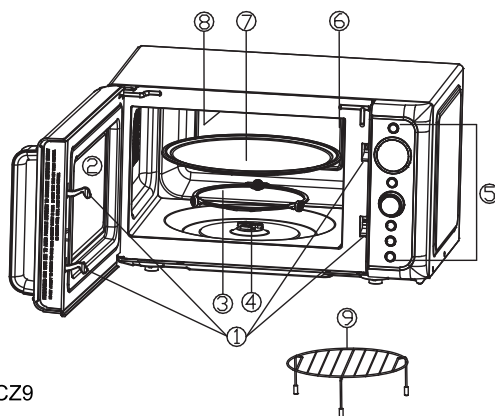
NÁDOBÍ	MIKROVLNY	GRIL	KOMBINOVANÉ VAŘENÍ
Tepelně odolné sklo	Ano	Ano	Ano
Sklo, které není tepelně odolné	Ne	Ne	Ne
Tepelně odolná keramika	Ano	Ano	Ano
Plastové nádobí bezpečné pro mikrovlnnou troubu	Ano	Ne	Ne
Kuchyňský papír	Ano	Ne	Ne
Kovový talíř	Ne	Ano	Ne
Kovový stojan	Ne	Ano	Ne
Hliníkové fólie a fóliové obaly	Ne	Ano	Ne

## Specifikace

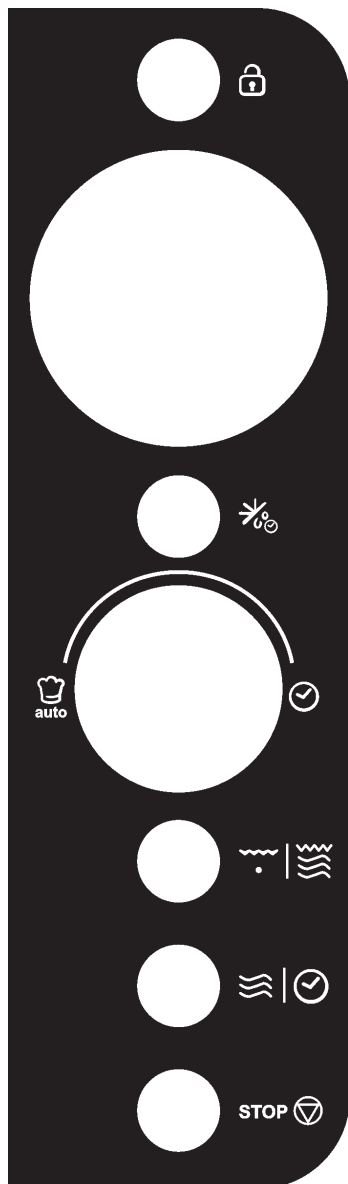
Spotřeba:	230 V/50 Hz, 1200 W (mikrovlnná trouba)
	900 W (gril)
Jmenovitý výkon mikrovlnné trouby:	700 W
Provozní frekvence:	2450 MHz
Vnější rozměry:	262 mm (V) × 452 mm (Š) × 369 mm (H)
Rozměry vnitřní části trouby:	198 mm (V) × 315 mm (Š) × 297 mm (H)
Objem trouby:	20 litrů
Čistá hmotnost:	Přibl. 11 kg

## Schéma produktu

1. Systém bezpečnostního zámku dveří
2. OKÉNKO TROUBY
3. Válečkový prstenec
4. Hřídel
5. Ovládací panel
6. Vlnovod (Neodstraňujte desku slídy zakrývající vlnovod)
7. Skleněný talíř
8. Ohřívač grilu
9. Kovový stojan



# Ovládací panel



- **DISPLEJ**

Zobrazuje dobu přípravy pokrmu, výkon, indikátory a současný čas.

- **ZÁMEK** 

Stisknutím tlačítka nastavte funkci ztlumení. Použijte pro nastavení dětské pojistky.

- **RYCHLÉ ROZMRAZOVÁNÍ** 

Stisknutím tlačítka nastavíte rozmrazovací program na základě času.

- **NABÍDKA/ČAS (knoflík)**  

Otočte pro nastavení času nebo vyberte nabídku automatického vaření.

- **START/RÝCHLÝ START (knoflík)**

Stiskem knoflíku spustíte program vaření nebo rozmrazování.

Jednoduše jej několikrát stiskněte, abyste nastavili dobu přípravy pokrmu a vařili okamžitě na plné úrovni výkonu.

- **GRIL/KOMBINOVANÉ VAŘENÍ.**  | 

Stisknutím tlačítka nastavíte program grilování.

Stisknutím vyberte jedno ze dvou nastavení kombinovaného vaření.

- **NAPÁJENÍ/HODINY**  | 

Stisknutím nastavíte úroveň výkonu mikrovlnné příprava pokrmů.


Stisknutím nastavíte čas hodin.

- **ZASTAVIT/ZRUŠIT STOP** 

Jednou stiskněte pro dočasné zastavení vaření nebo dvakrát pro úplné zrušení vaření.



# Návod k použití

- Při prvním zapojení trouby zazní pípnutí a na displeji se zobrazí „“ a „1:00“.
- Během nastavování přerušeno na asi 30 sekund se trouba vrátí do pohotovostního režimu.
- Pokud během vaření jednou stisknete tlačítko ZASTAVIT/ZRUŠIT, program bude pozastaven, poté stisknete tlačítko START/RYCHLÝ START pro pokračování, ale pokud stisknete tlačítko ZASTAVIT/ZRUŠIT dvakrát, program bude zrušen.
- Po ukončení vaření se každé dvě minuty zobrazí Konec se zvukovým signálem, dokud uživatel nezmáčkne jakékoli tlačítko nebo neotevře dvířka.
- Elektronicky ovládaný systém mikrovlnné trouby má funkci chlazení. Stejně jako u jakéhokoli režimu přípravy pokrmu, který trvá déle než 2 minuty, otevřete dvířka nebo zastavte, bude ventilátor trouby pracovat přibližně 3 minuty automaticky, aby se trouba ochladila a prodloužila životnost trouby.

## NASTAVENÍ HODIN

---

Tohle jsou hodiny s 12 nebo 24hodinovým formátem času. Čas hodin můžete nastavit na 12 nebo 24 hodin stisknutím tlačítka NAPÁJENÍ/HODINY v pohotovostním režimu.

1. V pohotovostním režimu stisknete a podržte tlačítko NAPÁJENÍ/HODINY na 3 sekundy, abyste vybrali hodiny s 12hodinovým formátem, stisknete ho znovu, abyste vybrali hodiny s 24hodinovým formátem.
2. Otočením tlačítka NABÍDKA/ČAS nastavte číslici hodiny.
3. Jednou stisknete tlačítko NAPÁJENÍ/HODINY.
4. Otočením tlačítka NABÍDKA/ČAS nastavte minutovou číslici.
5. Pro potvrzení stisknete tlačítko NAPÁJENÍ/HODINY.

## RYCHLÝ START

---

Tato funkce se používá k pohodlnému uvedení mikrovlnné trouby do 100% výkonu. V pohotovostním režimu opakovaně stisknete tlačítko START/RYCHLÝ START pro zadání doby přípravy pokrmu (každé stisknutí prodlouží čas o 30 sekund a až do 10 minut), trouba se spustí automaticky při 100% výkonu.

**POZNÁMKA:** Během vaření můžete prodloužit dobu přípravy pokrmu stisknutím tlačítka START/RYCHLÝ START.

## MIKROVLNNÉ VAŘENÍ

---

1. Opakovaným stiskem tlačítka NAPÁJENÍ/HODINY vyberte úroveň výkonu.
2. Otočením tlačítka NABÍDKA/ČAS ve směru hodinových ručiček zadáte dobu přípravy pokrmu. Nejdelší doba je 95 minut.
3. Stiskněte tlačítko START/RYCHLÝ START.

**Zvolte úroveň výkonu stisknutím tlačítka NAPÁJENÍ/HODINY:**

Stiskněte tlačítko NAPÁJENÍ/HODINY	Výkon (displej)
Jen jednou	100% (100)
Dvakrát	80% (80)
3krát	60% (60)
4krát	40% (40)
5krát	20% (20)
6krát	0% (00)

**POZNÁMKA:** Během přípravy pokrmu je aktuální úroveň výkonu viditelná stisknutím tlačítka NAPÁJENÍ/HODINY.

## GRIL

---

Grilování je zvlášť vhodné pro tenké plátky masa, bifteky, řízky, kebaby, uzeniny a kousky kuřete. Je také vhodné pro teplé sendviče a gratinovaná jídla.

1. Jednou stiskněte tlačítko GRIL/KOMBINOVANÉ VAŘENÍ.
2. Pro nastavení doby přípravy pokrmu otočte knoflíkem NABÍDKY/ČASU. Nejdelší doba je 95 minut.
3. Stiskněte TLAČÍTKO START/RYCHLÝ START pro potvrzení.

## KOMBINOVANÉ VAŘENÍ

---

Gril funguje déle než mikrovlnná trouba v režimu přípravy pokrmu kombinované vaření 1, použití pro ryby a gratinování. Ale mikrovlnná trouba funguje déle než gril v režimu přípravy pokrmu kombinované vaření 2, použití pro pudink, omelety, pečené brambory a drůbež.

1. V pohotovostním režimu dvakrát nebo 3krát stiskněte tlačítko GRIL/KOMBINOVANÉ VAŘENÍ, abyste vybrali „Co-1“ nebo „Co-2“.
2. Pro nastavení doby přípravy pokrmu otočte knoflíkem NABÍDKY/ČASU. Nejdelší doba je 95 minut.
3. Stiskněte TLAČÍTKO START/RYCHLÝ START pro potvrzení.

## **RYCHLÉ ROZMRAZOVÁNÍ**

---

1. V pohotovostním režimu jednou stiskněte tlačítko RYCHLÉ ROZMRAZOVÁNÍ.
2. Otočením tlačítka NABÍDKA/ČAS zadejte čas rozmrazování. Nejdelší doba je 95 minut.
3. Pro potvrzení stiskněte tlačítko START/RYCHLÝ START.

**POZNÁMKA:** Během rozmrazovacího programu se systém zastaví a zazní zvukový signál, aby uživatelé připomněl otočení jídla, a poté stiskněte tlačítko START/RYCHLÝ START pro pokračování.

## **VAŘENÍ VE VÍCE ETAPÁCH**

---

Vaše trouba může být naprogramována až na 3 automatické sekvence mikrovlnné přípravy pokrmů.

Předpokládejme, že chcete nastavit následující program přípravy pokrmu:

Mikrovlnná příprava pokrmů



Mikrovlnná příprava pokrmů (s nižší úrovní výkonu)

1. Zadejte první program mikrovlnné přípravy pokrmů. Nespouštějte tlačítko START/RYCHLÝ START.
2. Zadejte druhý program mikrovlnné přípravy pokrmů.
3. Pro potvrzení stiskněte tlačítko START/RYCHLÝ START.

**POZNÁMKA:** Nabídky rychlého startu, rychlého rozmrazování a automatického vaření nelze nastavit ve vaření ve více etapách.

## **FUNKCE ZTLUMENÍ**

---

**Nastavení:** V pohotovostním režimu jednou stiskněte tlačítko ZÁMKU, na displeji se na 3 sekundy zobrazí „VYPNUTÝ“. Nyní žádný program a tlačítko nevydává žádný zvuk, a potom se trouba vrátí do pohotovostního režimu.

**Zrušení:** V režimu ztlumení jednou stiskněte tlačítko ZÁMEK, na displeji se na 3 sekundy zobrazí „zapnutý“ a zazní pípnutí. Nyní se zvuk všech programů a tlačítek vrátí do normálního stavu a trouba se vrátí do pohotovostního režimu.

## **DĚTSKÁ POJISTKA**

---

Stiskněte, aby se zabránilo nekontrolovanému provozu trouby dětmi.

**Nastavení:** V pohotovostním režimu stiskněte a podržte tlačítko ZÁMEK po dobu 3 sekund, trouba automaticky přejde do režimu dětské pojistky a rozsvítí se kontrolka zámku. Ve stavu dětské pojistky jsou všechna tlačítka deaktivována.

**Zrušení:** V režimu dětské pojistky stiskněte a podržte tlačítko ZÁMEK po dobu 3 sekund, kontrolka zhasne.

## **AUTOMATICKÉ VAŘENÍ**

U jídla nebo následujícího režimu přípravy pokrmu není nutné programovat dobu a výkon přípravy pokrmu. Stačí uvést druh pokrmu, které chcete vařit, a také hmotnost nebo porce pokrmu.

1. V pohotovostním režimu jednou otočte knoflík NABÍDKA/ČAS proti směru hodinových ručiček a poté jím vyberte kód pokrmu.
2. Jednou stiskněte tlačítko START/RYCHLÝ START.
3. Otáčením tlačítka NABÍDKA/ČAS vyberte hmotnost pokrmu nebo porce.
4. Pro potvrzení stiskněte tlačítko START/RYCHLÝ START.

### **Nabídky automatického vaření:**

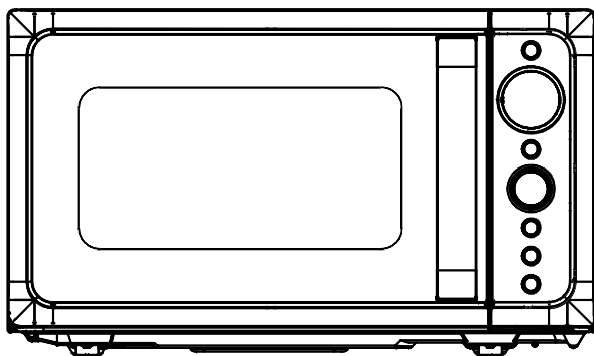
Kód	Pokrm	Poznámka
A-1	Mléko/káva (200 ml/šálek, 1 – 3 šálky)	1. U položek A-7, A-8 a A-9 se systém zastaví a zazní zvukový signál, který vám připomene, že máte jídlo obrátit, potom stiskněte tlačítko START/RYCHLÝ START pro obnovení rozmrazování. 2. Výsledek automatického vaření závisí na tvaru a velikosti jídla, na tom, jak chcete, aby byla některá jídla důkladně propečena a dokonce i na tom, jak dobře umístíte jídlo do trouby. Pokud shledáte, že výsledek není v žádném případě zcela uspokojivý, jemně upravte dobu přípravy pokrmu odpovídajícím způsobem.
A-2	Rýže (150 – 600 g)	
A-3	Špagety (100 – 300 g)	
A-4	Brambory (230 g/porce, 1-2 porce)	
A-5	Automatický ohřev (200 – 800 g)	
A-6	Ryby (200 – 600 g)	
A-7	Kuře (800 – 1400 g)	
A-8	Hovězí/skopové (200 – 600 g)	
A-9	Maso na rožni (100 – 500 g)	

# Čištění a péče

1. Vypněte troubu a při čištění odpojte napájecí kabel ze zásuvky.
2. Udržujte vnitřek trouby čistý. Vystříknuté jídlo nebo rozlité tekutiny stačí setřít vlhkým hadříkem. Pokud je trouba velmi znečištěna, je možné použít i jemný čisticí prostředek. Nepoužívejte sprej ani jiné silné čisticí prostředky. Mohou zanechat na povrchu dvířek skvrny, šmouhy nebo ho mohou zmatnit.
3. Vnější povrch trouby by měl být vyčištěn vlhkým hadříkem. Aby nedošlo k poškození vnitřních stěn mikrovlnné trouby, dbejte na to, aby se do průduchů nedostala voda.
4. Vlhkým hadříkem často otírejte dvířka a okénko po obou stranách, těsnění dvířek a přilehlé části, abyste odstranili všechny stříkance a rozlití jídel. Nepoužívejte abrazivní čisticí prostředek.
5. Parní čistič se nepoužívá.
6. Nedovolte, aby se ovládací panel namočil. Vyčistěte měkkým, vlhkým hadříkem. Při čištění ovládacího panelu nechte otevřená dvířka trouby, aby nedošlo k náhodnému zapnutí trouby.
7. Pokud se pára nahromadí uvnitř nebo kolem dvířek trouby, otřete ji měkkým hadříkem. K tomu může dojít, pokud je mikrovlnná trouba provozována při vysoké vlhkosti. Je to běžný jev.
8. Občas je nutné vyjmout skleněný talíř a vyčistit jej. Umyjte talíř v teplé mýdlové vodě nebo v myčce.
9. Válečkový prstenec a dno trouby je třeba pravidelně čistit, aby nedocházelo k nadměrnému hluku. Jednoduše otřete dno trouby jemným čisticím prostředkem. Válečkový prstenec lze umýt v jemné mýdlové vodě nebo v myčce. Při demontáži válečkového prstence jej nezapomeňte nasadit ve správné poloze.
10. Zápach z trouby odstraníte kombinací šálky vody se šťávou a kůží jednoho citronu v misce do mikrovlnné trouby. Zapněte mikrovlnnou troubu na 5 minut. Důkladně ji otřete a vysušte měkkým hadříkem.
11. Pokud se vypálí žárovka, požádejte zákaznický servis o její výměnu.
12. Trouba by měla být pravidelně čištěna a veškeré zbytky potravin by měly být odstraněny. Neudržování trouby v čistém stavu může vést k poškození povrchu, které by mohlo nepříznivě ovlivnit životnost zařízení a způsobit nebezpečí.
13. Tento spotřebič nevyhazujte do domácího odpadu. Měl by být zlikvidován ve speciálním sběrném dvoře, který zřídila obec.

14. Při prvním použití mikrovlnné trouby s funkcí grilu se může vytvořit mírný kouř a zápach. Je to běžný jev, protože trouba je vyrobena z ocelového plechu potaženého mazacím olejem a nová trouba bude produkovat výpary a zápach, který vzniká spalováním mazacího oleje. Tento jev zmizí po určité době používání.

# Mode d'emploi du four à micro-ondes



Modèle : DIVO G20CR  
DIVO G20CC  
DIVO G20CMB  
DIVO G20CO  
DIVO G20CG

Veuillez lire attentivement ces instructions avant d'installer et d'utiliser le four.

## DÉCLARATION DE CONFORMITÉ

---



En apposant la CE marque sur ce produit, nous confirmons la conformité à toutes les exigences européennes de sécurité, de santé et environnementales applicables selon la législation relative à ce produit.

## LA GESTION DES DÉCHETS ET LA PROTECTION DE L'ENVIRONNEMENT

---



Cet appareil est étiqueté conformément à la directive européenne 2012/19/UE relative aux appareils électriques et électroniques (DEEE). Les appareils DEEE contiennent à la fois des substances polluantes (qui peuvent avoir un effet négatif sur l'environnement) et des éléments de base (qui peuvent être réutilisés). Il est important que les DEEE subissent des traitements spécifiques pour éliminer correctement les polluants et récupérer tous les matériaux. Les individus peuvent jouer un rôle important afin de garantir que les DEEE ne deviennent pas un problème environnemental ; il est essentiel de suivre quelques règles de base :

- Les DEEE ne doivent pas être traités comme des ordures ménagères ;
- Les DEEE doivent être déposés dans des centres de collecte dédiés, gérés par la municipalité ou une société autorisée.

Dans de nombreux pays, le retrait des gros DEEE est disponible pour les particuliers. Lorsque vous achetez un nouvel appareil, l'ancien peut être retourné au vendeur, qui doit l'accepter gratuitement et immédiatement, à condition que l'appareil soit d'un type équivalent au nouvel appareil acheté et qu'il ait les mêmes fonctions.



# Sommaire

<b>SOMMAIRE</b> .....	<b>3</b>
<b>LES PRÉCAUTIONS À PRENDRE POUR ÉVITER UN EXCÈS D'EXPOSITION AUX MICRO-ONDES</b> .....	<b>4</b>
<b>CONSIGNES DE SÉCURITÉ IMPORTANTES</b> .....	<b>4</b>
<b>GUIDE D'INSTALLATION</b> .....	<b>10</b>
<b>INSTRUCTIONS DE MISE À LA TERRE</b> .....	<b>11</b>
<b>INTERFERENCES RADIO</b> .....	<b>11</b>
<b>AVANT DE FAIRE APPEL AU SERVICE D'ASSISTANCE</b> .....	<b>12</b>
<b>TECHNIQUES DE CUISSON</b> .....	<b>12</b>
<b>GUIDE DES USTENSILES DE CUISINE</b> .....	<b>12</b>
<b>SPECIFICATIONS</b> .....	<b>13</b>
<b>SCHEMA DU PRODUIT</b> .....	<b>14</b>
<b>PANNEAU DE COMMANDE</b> .....	<b>15</b>
<b>INSTRUCTIONS D'UTILISATION</b> .....	<b>16</b>
REGLAGE DE L'HORLOGE .....	16
MISE EN MARCHÉ RAPIDE .....	16
CUISSON AU MICRO-ONDES .....	16
GRILL .....	17
COMBINAISON .....	17
DECONGELATION RAPIDE .....	17
LA CUISINE EN PLUSIEURS ETAPES .....	18
FONCTION DE MISE EN SOURDINE.....	18
VERROUILLAGE ENFANT .....	18
CUISSON AUTOMATIQUE .....	19
<b>NETTOYAGE ET ENTRETIEN</b> .....	<b>20</b>

# LES PRÉCAUTIONS À PRENDRE POUR ÉVITER UN EXCÈS D'EXPOSITION AUX MICRO-ONDES

1. N'essayez pas de faire fonctionner le four avec la porte ouverte, car le fonctionnement avec la porte ouverte peut entraîner une exposition dangereuse aux micro-ondes. Il est important de ne pas forcer ou altérer les dispositifs de verrouillage de sécurité.
2. Ne placez aucun objet entre la face avant du four et la porte et ne laissez pas la saleté ou les résidus de nettoyage s'accumuler sur les surfaces d'étanchéité.
3. Ne faites pas fonctionner le four s'il est endommagé. Il est très important que la porte du four ferme correctement et qu'il n'y ait pas de dommages à la
  - a) porte (y compris de déformation),
  - b) charnières et loquets (cassés ou desserrés),
  - c) joints de porte et surfaces d'étanchéité.
4. Le four ne doit être réglé ou réparé que par du personnel d'entretien qualifié.

## CONSIGNES DE SÉCURITÉ IMPORTANTES

Lors de l'utilisation d'appareils électriques, des précautions de base doivent être prises, notamment les suivantes :

**AVERTISSEMENT !** Pour réduire les risques de brûlures, de chocs électriques, d'incendie, de blessures ou d'excès d'exposition aux micro-ondes :

1. Lisez toutes les instructions avant d'utiliser l'appareil et conservez-les pour pouvoir les consulter par la suite.
2. N'utilisez cet appareil que pour l'usage auquel il est destiné, tel que décrit dans le manuel. N'utilisez pas de produits

chimiques ou de vapeurs corrosives dans cet appareil. Ce type de four est spécialement conçu pour chauffer, cuire ou sécher les aliments. Il n'est pas conçu pour une utilisation industrielle ou de laboratoire.

3. Ne faites pas fonctionner le four lorsqu'il est vide.
4. N'utilisez pas cet appareil si son cordon ou sa fiche est endommagé, s'il ne fonctionne pas correctement ou s'il a été endommagé ou fait tomber. Si le câble d'alimentation est endommagé, il doit être remplacé par le fabricant, son agent d'entretien ou des personnes possédant le même type de qualification, afin d'éviter tout risque.

**ATTENTION !** --Ne permettez aux enfants d'utiliser le four sans surveillance que lorsque des instructions adéquates leur ont été dispensées de sorte que ces enfants soient capables d'utiliser le four de manière sûre et qu'ils aient compris les dangers impliqués par une utilisation non appropriée.

5. **AVERTISSEMENT !** Lorsque l'appareil fonctionne en mode combiné, les enfants ne doivent utiliser le four que sous la surveillance d'un adulte en raison des températures générées
6. Pour réduire le risque d'incendie dans la cavité du four :
  - Lorsque vous chauffez des aliments dans un récipient en plastique ou en papier, vérifiez fréquemment le four pour vous assurer qu'il n'y a pas de flammes.
  - Retirez les attaches métalliques des sacs en papier ou en plastique avant de placer le sac dans le four.
  - Si de la fumée est observée, éteindre ou débrancher l'appareil et garder la porte fermée afin d'étouffer toute flamme.
  - N'utilisez pas la cavité à des fins de stockage. Ne laissez pas de produits en papier, d'ustensiles de cuisine ou d'aliments dans la cavité lorsque le four n'est pas utilisé.

- Le four à micro-ondes est destiné à chauffer les aliments et les boissons. Le séchage des vêtements et le réchauffement des coussins chauffants, pantoufles, éponges, tissus humides et autres peuvent entraîner un risque de blessure, d'ignition ou d'incendie.
7. **ATTENTION !**--Les liquides ou autres nourritures ne doivent pas être chauffés dans des récipients fermés, car ils risqueraient d'exploser.
  8. Le réchauffement au micro-ondes de boissons peut provoquer une forte ébullition, donc soyez prudent au moment de la manipulation du récipient.
  9. Ne faites pas frire d'aliments dans le four. L'huile chaude peut endommager les pièces du four et les ustensiles de cuisine, ou même provoquer des brûlures de la peau.
  10. Les œufs dans leur coquille et les œufs durs entiers ne doivent pas être chauffés dans le four à micro-ondes, car ils risqueraient d'exploser, même après que le micro-ondes se soit éteint.
  11. Percez les aliments à peau épaisse comme les pommes de terre, les courges entières, les pommes et les châtaignes avant de les faire cuire.
  12. Le contenu des biberons et des pots pour bébé doit être remué ou agité et la température de l'aliment doit être vérifiée avant de servir, afin d'éviter toute brûlure.
  13. Les ustensiles de cuisson peuvent devenir très chauds à cause du transfert de chaleur des aliments chauffés. Des gants de cuisine peuvent être nécessaires pour manipuler l'ustensile.
  14. Les ustensiles doivent être vérifiés pour contrôler qu'ils sont adaptés à l'utilisation au four à micro-ondes.
  15. **AVERTISSEMENT !** Il est dangereux pour toute personne autre qu'une personne formée d'effectuer des interventions de service ou de réparation qui impliquent le retrait du

couvercle de protection contre l'exposition aux micro-ondes.

16. Ce micro-ondes est conforme à la norme EN 55011/CISPR 11, dans laquelle il appartient à la classe B du groupe 2. Équipements du groupe 2 : le groupe 2 comprend tous les équipements ISM RF dans lesquels de l'énergie radio-électrique dans la gamme de fréquences de 9 kHz à 400 GHz est intentionnellement générée et utilisée, ou seulement utilisée localement, sous forme de rayonnement électromagnétique, de couplage inductif et/ou capacitif, pour le traitement de matériaux, à des fins d'inspection ou d'analyse ou pour le transfert d'énergie électromagnétique. Les équipements de classe B sont des équipements adaptés à une utilisation dans des lieux d'habitation et dans des établissements directement connectés à un réseau d'alimentation électrique basse tension, qui alimente des bâtiments à usage domestique.
17. L'utilisation de cet appareil est interdite à toute personne (y compris des enfants) dont les capacités physiques et mentales sont réduites, ou dépourvue d'expérience dans l'utilisation d'appareils électriques, à moins que cette personne ou enfant ne soit surveillé ou instruit par un adulte responsable de sa sécurité.
18. Surveillez les enfants afin qu'ils ne jouent pas avec l'appareil.
19. Le four à micro-ondes n'est utilisé que de manière autonome.
20. **AVERTISSEMENT !**--Ne pas installer le four au-dessus d'une table de cuisson ou d'un autre appareil produisant de la chaleur. Dans le cas contraire, il risquerait d'être endommagé et la garantie serait annulée.
21. Le four à micro-ondes ne doit pas être installé dans une armoire.

22. La porte ou la surface extérieure peut devenir très chaude lorsque l'appareil fonctionne.
23. **AVERTISSEMENT !**--Les pièces accessibles peuvent devenir très chaudes pendant l'utilisation. Les jeunes enfants doivent être tenus à l'écart.
24. Pendant l'utilisation, les appareils deviennent chauds. Il faut veiller à éviter de toucher les éléments chauffants à l'intérieur du four, pour les cuisinières et les fours.
25. La température des surfaces accessibles peut monter très haut lorsque l'appareil fonctionne.
26. L'appareil ne doit pas être utilisé par des enfants ou des personnes ayant des capacités physiques, sensorielles ou mentales réduites, ou manquant d'expérience et de connaissances, sauf s'ils sont surveillés ou qu'ils ont été instruits sur le fonctionnement de l'appareil.
27. **AVERTISSEMENT !**--Si la porte ou les joints de porte sont endommagés, le four ne doit pas être utilisé tant qu'il n'a pas été réparé par une personne qualifiée.
28. Les instructions doivent indiquer que les appareils ne sont pas destinés à être utilisés au moyen d'une minuterie externe ou d'un système séparé de commande à distance.
29. Le four à micro-ondes est réservé à un usage domestique et non à un usage commercial.
30. Ne jamais retirer le calage d'écartement du mur à l'arrière ou sur les côtés, car il assure un minimum de circulation de l'air.
31. Veuillez sécuriser le plateau tournant avant de déplacer l'appareil pour éviter d'abîmer l'appareil.
32. **ATTENTION !**--Il est dangereux de faire réparer ou d'entretenir l'appareil par une personne non qualifiée ou non experte, car dans ces circonstances, il faut retirer le couvercle qui assure la protection contre les radiations micro-ondes. Cela s'applique également au changement

du cordon d'alimentation ou de l'éclairage. Dans ce cas, envoyez l'appareil à notre centre d'assistance.

33. Le four à micro-ondes est destiné à la décongélation, à la cuisson et à la cuisson à la vapeur des aliments uniquement.
34. Utilisez des gants de cuisine si vous devez retirer des aliments chauds.
35. **ATTENTION !**-De la vapeur s'échappe lorsque vous retirez le le couvercle ou le film.
36. Cet appareil peut être utilisé par des enfants âgés de 8 ans et plus, par des personnes dont les capacités physiques, sensorielles ou mentales sont réduites ou par des personnes dénuées d'expérience et de connaissances, s'ils ont été informés sur la manière d'utiliser l'appareil en toute sécurité et s'ils comprennent les risques qui sont impliqués. Les enfants ne doivent pas jouer avec l'appareil. Le nettoyage et l'entretien par l'utilisateur ne doivent pas être effectués par des enfants, sauf s'ils sont âgés de 8 ans et plus et qu'ils sont surveillés.
37. Si de la fumée est émise, éteignez ou débranchez l'appareil et gardez la porte fermée afin d'étouffer les flammes.

# Guide d'installation

1. Veillez à ce que tous les matériaux d'emballage soient retirés de l'intérieur de la porte.
2. **AVERTISSEMENT !** --Vérifiez que le four n'est pas endommagé, par exemple que la porte n'est pas mal alignée ou déformée, que les joints de porte et la surface d'étanchéité ne soient pas endommagés, que les charnières et les loquets de la porte ne soient pas cassés ou desserrés et que l'intérieur de la cavité ou la porte ne soient pas bosselés. En cas de dommage, ne pas faire fonctionner le four et contacter le personnel qualifié du service après-vente.
3. Ce four à micro-ondes doit être installé sur une surface plane et stable qui supporte son poids et les aliments les plus lourds susceptibles d'être cuits à l'intérieur.
4. Ne pas installer le four là où de la chaleur et de l'humidité, sont susceptibles d'être générées, ni près de matériaux combustibles.
5. Pour un fonctionnement correct, le four doit avoir un débit d'air suffisant. Prévoyez au minimum 20 cm d'espace libre au-dessus de la surface supérieure du four et 5 cm des deux côtés. La plaque arrière du four à micro-ondes doit être placée près du mur. Ne couvrez ni ne bloquez aucune ouverture de l'appareil. Ne pas enlever les pieds de l'appareil.
6. Ne faites pas fonctionner le four si le plateau en verre, le support tournant et l'arbre ne sont pas en bonne position.
7. Assurez-vous que le cordon d'alimentation n'est pas endommagé et qu'il ne passe pas sous le four ou sur une surface chaude ou coupante.
8. La prise doit être facilement accessible afin de pouvoir débrancher l'appareil en cas d'urgence.
9. N'utilisez pas le four à l'extérieur.



# INSTRUCTIONS DE MISE À LA TERRE

Cet appareil doit être mis à la terre. Ce four est équipé d'un cordon ayant un fil de terre avec une prise de terre. Il doit être branché dans une prise murale correctement installée et avec mise à la terre. En cas de court-circuit électrique, la mise à la terre réduit le risque de choc électrique en fournissant un fil de fuite pour le courant électrique. Il est recommandé de prévoir un circuit séparé ne desservant que le four. L'utilisation d'un courant de haute tension est dangereuse et peut entraîner un incendie ou un autre accident provoquant des dommages au four.

**AVERTISSEMENT !** Une utilisation incorrecte de la prise de terre peut entraîner un risque de choc électrique. Remarque :

1. Si vous avez des questions concernant la mise à la terre ou les instructions électriques, consultez un électricien qualifié ou une personne du service d'assistance.
2. Ni le fabricant ni le revendeur ne peuvent être tenus pour responsables des dommages causés au four ou des blessures corporelles résultant du non-respect des procédures de raccordement électrique.

Les fils de ce câble principal sont colorés selon le code suivant :

**Vert et jaune = TERRE**

**Bleu = NEUTRE**

**Marron = SOUS TENSION**

## Interférences radio

Le fonctionnement du four à micro-ondes peut provoquer des interférences avec votre radio, votre télévision ou tout autre équipement semblable. Lorsqu'il y a interférence, elle peut être réduite ou éliminée en prenant les mesures suivantes :

1. Nettoyez la porte et la surface d'étanchéité du four.
2. Réorientez l'antenne de réception de la radio ou de la télévision.
3. Déplacez le four à micro-ondes par rapport au récepteur.
4. Éloignez le four à micro-ondes du récepteur.
5. Branchez le four à micro-ondes dans une prise différente de sorte que le four à micro-ondes et le récepteur soient sur des circuits différents.

# Avant de faire appel au service d'assistance

Avant de vous adresser au service d'assistance, veuillez vérifier les points suivants :

- Vérifiez que le four est bien branché. Si ce n'est pas le cas, débranchez la fiche de la prise, attendez 10 secondes, et rebranchez-la en toute sécurité.
- Vérifiez si un fusible ou un disjoncteur principal a sauté. S'ils semblent fonctionner correctement, testez la prise avec un autre appareil.
- Vérifiez que le panneau de commande est correctement programmé et que la minuterie est réglée.
- Vérifiez que la porte est bien fermée, après avoir engagé le système de verrouillage de la porte. Si la porte n'est pas correctement fermée, l'énergie des micro-ondes ne circulera pas à l'intérieur.

SI AUCUN DES ÉLÉMENTS CI-DESSUS NE PERMET DE CORRIGER LA SITUATION, ALORS CONTACTEZ UN TECHNICIEN QUALIFIÉ. N'ESSAYEZ PAS DE RÉGLER OU DE RÉPARER LE FOUR PAR VOUS-MÊME.

## Techniques de cuisson

1. Disposez la nourriture avec soin. Placez les morceaux les plus épais vers l'extérieur du plat.
2. Regardez le temps de cuisson. Cuisinez pendant la durée la plus courte indiquée et prolongez si nécessaire. Les aliments excessivement cuits peuvent faire de la fumée ou s'enflammer.
3. Couvrez les aliments pendant la cuisson. Les couvercles empêchent les éclaboussures et aident les aliments à cuire uniformément.
4. Retournez les aliments une fois pendant la cuisson au micro-ondes pour en accélérer la cuisson s'il s'agit d'aliments tels que du poulet ou des hamburgers. Les gros aliments comme les rôtis doivent être retournés au moins une fois.
5. Réorganisez les aliments tels que les boulettes de viande à mi-cuisson, en plaçant les morceaux du dessous dessus et vice versa et les morceaux du centre du plat vers l'extérieur et vice versa.

## Guide des ustensiles de cuisine

1. Les micro-ondes ne peuvent pas contenir de métal. N'utilisez que des ustensiles adaptés aux fours à micro-ondes. Les récipients métalliques pour aliments et boissons ne sont pas autorisés pour la cuisson au micro-ondes. Cette exigence n'est pas applicable si le producteur précise la taille et la forme des récipients métalliques adaptés à la cuisson au micro-ondes.

2. Le micro-ondes ne peut pas contenir de métal, c'est pourquoi les ustensiles en métal ou les plats avec des garnitures métalliques ne doivent pas être utilisés.
3. N'utilisez pas de produits en papier recyclé pour la cuisson au micro-ondes, car ils peuvent contenir de petits fragments de métal qui peuvent provoquer des étincelles et/ou des incendies.
4. Les plats ronds ou ovales plutôt que carrés ou oblongs sont préférés, car dans les coins la nourriture a tendance à trop cuire.
5. Des bandes étroites de papier d'aluminium peuvent être utilisées pour éviter la cuisson excessive des morceaux les plus exposés. Mais attention, n'en utilisez pas trop et gardez une distance de 2,54 cm entre la feuille et la paroi de la cavité.

La liste ci-dessous est un guide général pour vous aider à choisir les bons ustensiles.

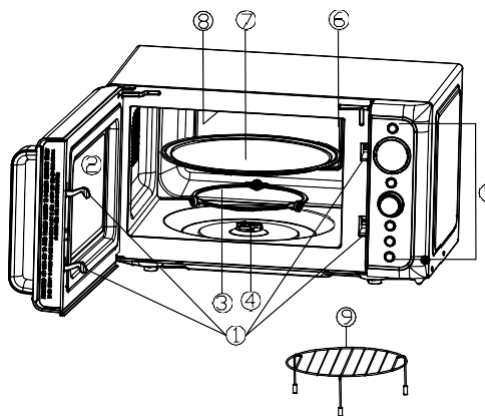
USTENSILES DE CUISINE	FOUR À MICRO-ONDES	GRILL	COMBINÉ
Verre résistant à la chaleur	Oui	Oui	Oui
Verre non résistant à la chaleur	Non	Non	Non
Céramiques résistantes à la chaleur	Oui	Oui	Oui
Plat en plastique pour micro-ondes	Oui	Non	Non
Papier de cuisine	Oui	Non	Non
Plateau en métal	Non	Oui	Non
Étagère en métal	Non	Oui	Non
Feuilles et récipients en aluminium	Non	Oui	Non

## Spécifications

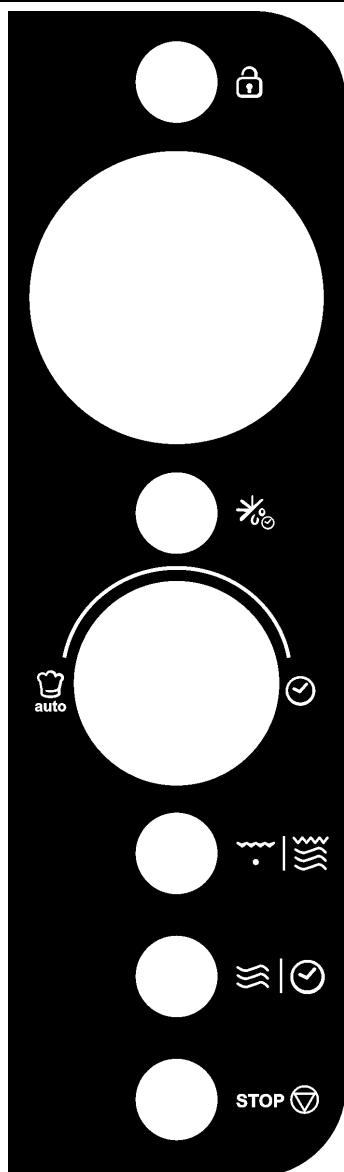
Consommation d'énergie :	230V/50Hz, 1200W (micro-ondes)
	900W (Grill)
Puissance nominale de sortie du micro-ondes :	700W
Fréquence de fonctionnement :	2450MHz
Dimensions extérieures :	262mm(H)×452mm(W)×369mm(D)
Dimensions de la cavité du four :	198mm(H)×315mm(W)×297mm(D)
Capacité du four :	20 litres
Poids net	Environ 11 kg

# Schéma du produit

1. Système de verrouillage de sécurité de la porte
2. Fenêtre du four
3. Anneau tournant
4. Arbre
5. Panneau de commande
6. Guide d'ondes (veuillez ne pas retirer la plaque en mica qui recouvre le guide d'ondes)
7. Plateau en verre
8. Résistance du grill
9. Étagère en métal



# Panneau de commande



- **AFFICHAGE**

Le temps de cuisson, la puissance, les indicateurs et l'heure courante sont affichés.

- **VERROUILLAGE** 

Appuyez sur cette touche pour régler la fonction de mise en sourdine. Permet de régler la sécurité enfant.

- **DÉCONGÉLATION RAPIDE** 

Appuyez sur cette touche pour régler la vitesse du programme de décongélation.

- **MENU/HEURE (bouton)**  

Tournez pour régler l'heure ou sélectionner le menu de cuisson automatique.

- **MISE EN MARCHÉ/MISE EN MARCHERAPIDE (le bouton )**

Appuyez sur ce bouton pour lancer le programme de cuisson ou de décongélation.

Il suffit d'appuyer plusieurs fois sur le bouton pour régler le temps de cuisson et cuire immédiatement à pleine puissance.

- **GRILL/COMBI.**  | 

Appuyez pour régler le programme de cuisson sur le gril.

Appuyez pour sélectionner l'une des deux cuissons combinées réglages,


- **PUISSANCE/HORLOGE**  | 

Appuyez sur cette touche pour régler le niveau de puissance de cuisson au micro-ondes. Appuyez sur cette touche pour régler l'heure.

- **ARRÊT/ANNULER STOP** 

Appuyez une fois pour arrêter temporairement la cuisson, ou deux fois pour l'annuler complètement.

# Instructions d'utilisation

- Lorsque le four est branché pour la première fois, un bip retentit et l'écran affiche " et "1:00".
- En cours de réglage, en cas d'interruption d'au moins 30 secondes le four revient en mode veille.
- Pendant la cuisson, si vous appuyez une fois sur la touche ARRÊT/ANNULER, le programme sera mis en pause et vous pourrez le reprendre en appuyant sur la touche MISE EN MARCHÉ/MISE EN MARCHÉ RAPIDE, mais si vous appuyez deux fois sur la touche ARRÊT/ANNULER, le programme sera annulé.
- Après la fin de la cuisson, l'écran affiche End avec un son toutes les deux minutes jusqu'à ce que l'utilisateur appuie sur un bouton ou ouvre la porte.
- Le système de contrôle électronique du four à micro-ondes a la caractéristique de refroidir. Comme pour tout mode de cuisson dont le temps de cuisson est supérieur à 2 minutes, en position ouverte ou en état d'arrêt, le ventilateur du four fonctionne automatiquement pendant environ 3 minutes pour refroidir le four afin de prolonger la durée de vie du four.

## REGLAGE DE L'HORLOGE

---

Il s'agit d'une horloge de 12 ou 24 heures. Vous pouvez choisir de régler l'heure en 12 ou 24 heures en appuyant sur le bouton PUISSANCE/HORLOGE en mode veille.

1. En mode veille, appuyez sur la touche PUISSANCE/HORLOGE et maintenez-la enfoncée pendant 3 secondes pour sélectionner l'horloge 12 heures, appuyez à nouveau pour sélectionner l'horloge 24 heures.
2. Tournez le bouton MENU/HEURE pour régler le chiffre de l'heure.
3. Appuyez une fois sur le bouton PUISSANCE/HORLOGE.
4. Tournez le bouton MENU/HEURE pour régler le chiffre des minutes.
5. Appuyez sur la touche PUISSANCE/HORLOGE pour confirmer.

## MISE EN MARCHÉ RAPIDE

---

Utilisez cette fonction pour programmer le four afin qu'il démarre commodément à 100 % de sa puissance. En mode veille, appuyez plusieurs fois sur la touche MISE EN MARCHÉ/MISE EN MARCHÉ RAPIDE pour saisir le temps de cuisson (chaque pression augmente de 30 secondes, et ce jusqu'à 10 minutes), le four démarre automatiquement à 100% de sa puissance.

**REMARQUE** : Pendant la cuisson, vous pouvez prolonger le temps de cuisson en appuyant sur la touche MISE EN MARCHÉ/MISE EN MARCHÉ RAPIDE.

## CUISSON AU MICRO-ONDES

---

1. Appuyez plusieurs fois sur la touche PUISSANCE/HORLOGE pour sélectionner le niveau de puissance.

2. Tournez le bouton MENU/HEURE dans le sens des aiguilles d'une montre pour saisir la durée de cuisson. La durée la plus longue est 95 minutes.
3. Appuyez sur le bouton MISE EN MARCHÉ/MISE EN MARCHÉ RAPIDE.

**Sélectionnez le niveau de puissance en appuyant sur le bouton PUISSANCE/HORLOGE :**

Appuyez sur la touche PUISSANCE/HORLOGE	Puissance (Écran)
Une fois	100% (100)
Deux fois	80% (80)
3 fois	60% (60)
4 fois	40% (40)
5 fois	20% (20)
6 fois	0% (00)

**REMARQUE :** Pendant la cuisson, le niveau de puissance courant peut être visualisé en appuyant sur le bouton PUISSANCE/HORLOGE.

## **GRILL**

---

La cuisson sur le grill est particulièrement utile pour les fines tranches de viande, les steaks, les côtelettes, les brochettes, les saucisses et les morceaux de poulet. Il convient également aux sandwiches chauds et aux plats gratinés.

1. Appuyez une fois sur le bouton GRILL/COMBI.
2. Tournez le bouton MENU/HEURE pour régler la durée de cuisson. La durée la plus longue est de 95 minutes.
3. Appuyez sur MISE EN MARCHÉ/MISE EN MARCHÉ RAPIDE pour confirmer.

## **COMBINAISON**

---

Le grill fonctionne plus longtemps que le micro-ondes en mode de cuisson combinée 1, à utiliser pour le poisson et le gratin. Mais le micro-ondes fonctionne plus longtemps que le grill en mode de cuisson combiné 2, à utiliser pour le pudding, les omelettes, les pommes de terre au four et la volaille.

1. En mode veille, appuyez deux ou trois fois sur la touche GRILL/COMBI. pour sélectionner "Co-1" ou "Co-2".
2. Tournez le bouton MENU/HEURE pour régler la durée de cuisson. La durée la plus longue est 95 minutes.
3. Appuyez sur MISE EN MARCHÉ/MISE EN MARCHÉ RAPIDE pour confirmer.

## **DECONGELATION RAPIDE**

---

1. En mode veille, appuyez une fois sur la touche DÉCONGÉLATION RAPIDE.

2. Tournez le bouton MENU/HEURE pour saisir la durée de décongélation. La durée la plus longue est de 95 minutes.
3. Appuyez sur le bouton MISE EN MARCHÉ/MISE EN MARCHÉ RAPIDE pour confirmer.

**REMARQUE** : Pendant le programme de décongélation, le système fait une pause et émet un son pour rappeler à l'utilisateur de retourner les aliments. Ensuite, appuyez sur la touche MISE EN MARCHÉ/MISE EN MARCHÉ RAPIDE pour reprendre la cuisson.

## LA CUISINE EN PLUSIEURS ETAPES

---

Votre four peut être programmé pour un maximum de 3 séquences de cuisson automatique au micro-ondes. Supposons que vous vouliez définir le programme de cuisson suivant :

cuisson au micro-ondes



cuisson par micro-ondes (avec un niveau de puissance plus faible)

1. Saisissez le premier programme de cuisson au micro-ondes. N'appuyez pas sur MISE EN MARCHÉ/MISE EN MARCHÉ RAPIDE.
2. Saisissez le deuxième programme de cuisson au micro-ondes.
3. Appuyez sur le bouton MISE EN MARCHÉ/MISE EN MARCHÉ RAPIDE pour confirmer.

**REMARQUE** : Les menus de mise en marche rapide, décongélation rapide et cuisson automatique ne peuvent pas être réglés en cas de cuisson en plusieurs étapes.

## FONCTION DE MISE EN SOURDINE

---

**Réglage** : En mode veille, appuyez une fois sur le bouton VERROUILLAGE, l'écran affichera "OFF" pendant 3 secondes. À cet instant, tous les programmes et boutons n'ont pas de signal sonore et ensuite le four se remet en mode veille.

**Pour annuler** : En mode silencieux, appuyez une fois sur le bouton VERROUILLAGE, l'écran affichera "on" pendant 3 secondes et un bip sonore se fera entendre. À ce moment, le son de tous les programmes et boutons revient à la normale, puis le four revient en mode veille.

## VERROUILLAGE ENFANT

---

Appuyez sur cette touche pour empêcher les enfants de faire fonctionner le four sans surveillance.

**Réglage** : En mode veille, appuyez sur le bouton VERROUILLAGE et maintenez-le enfoncé pendant 3 secondes, le four se met automatiquement en mode "Verrouillage enfant" et le témoin lumineux de verrouillage s'allume. À l'état verrouillé, tous les boutons sont désactivés.



**Pour annuler :** En mode Verrouillage enfant, appuyez sur le bouton VERROUILLAGE et maintenez-le enfoncé pendant 3 secondes, le voyant s'éteint.

### CUISSON AUTOMATIQUE

Pour les aliments ou le mode de cuisson suivant, il n'est pas nécessaire de programmer la durée et la puissance de cuisson. Il suffit d'indiquer le type d'aliments que vous souhaitez cuisiner, ainsi que le poids ou les portions de cet aliment.

1. En mode veille, tournez une fois le bouton MENU/HEURE dans le sens inverse des aiguilles d'une montre, puis tournez-le pour sélectionner le code de l'aliment.
2. Appuyez une fois sur le bouton MISE EN MARCHÉ/MISE EN MARCHÉ RAPIDE.
3. Tournez le bouton MENU/HEURE pour sélectionner le poids des aliments ou les portions.
4. Appuyez sur le bouton MISE EN MARCHÉ/MISE EN MARCHÉ RAPIDE pour confirmer.

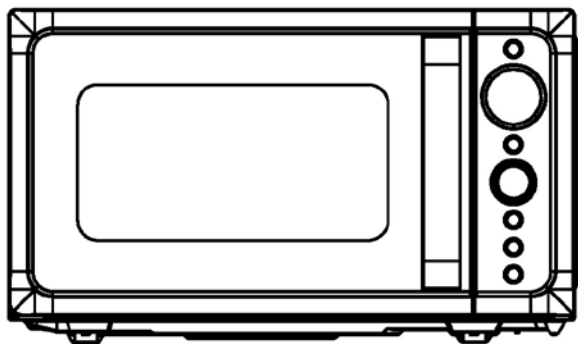
#### Menus de cuisson automatique :

Code	Aliment	Remarques
A-1	Lait/Café (200 ml/tasse, 1 à 3 tasses)	1. Pour les articles A-7, A-8 et A-9, pendant la cuisson, le système fait une pause pour vous rappeler de retourner les aliments, puis d'appuyer sur MISE EN MARCHÉ/MISE EN MARCHÉ RAPIDE pour reprendre la décongélation. 2. Le résultat de la cuisson automatique dépend de facteurs tels que la forme et la taille de l'aliment, de votre préférence personnelle quant à la cuisson de certains aliments, ainsi que de la façon dont vous avez placé les aliments dans le four. Si vous trouvez que de toute façon le résultat n'est pas parfaitement satisfaisant, veuillez régler la durée de cuisson en conséquence.
A-2	Riz (150-600 g)	
A-3	Spaghettis (100-300 g)	
A-4	Pommes de terre (230 g/portion, 1 à 2 portions)	
A-5	Réchauffage automatique (200-800 g)	
A-6	Poisson (200-600 g)	
A-7	Poulet (800-1400 g)	
A-8	Bœuf/Mouton (200-600 g)	
A-9	Brochettes de viande (100-500 g)	

# Nettoyage et entretien

1. Éteignez le four et débranchez le cordon d'alimentation du mur lorsque vous nettoyez.
2. Gardez l'intérieur du four propre. Lorsque des éclaboussures d'aliments ou des liquides renversés adhèrent aux parois du four, essuyez-les avec un chiffon humide. Utilisez un détergent doux si le four est très sale. Évitez d'utiliser des sprays ou d'autres nettoyeurs agressifs. Ils peuvent tacher, laisser des traces ou ternir la surface de la porte.
3. L'extérieur du four doit être nettoyé avec un chiffon humide. Pour éviter d'endommager les pièces de fonctionnement à l'intérieur du four, il ne faut pas laisser l'eau s'infiltrer dans les ouvertures de ventilation.
4. Essuyez fréquemment la porte et la fenêtre des deux côtés, les joints de la porte et les parties adjacentes avec un chiffon humide pour éliminer tout déversement ou éclaboussure. N'utilisez pas de nettoyant abrasif.
5. Les nettoyeurs à vapeur ne doivent pas être utilisés.
6. Ne laissez pas le panneau de commande mouillé. Nettoyez-le avec un chiffon doux et humide. Lorsque vous nettoyez le panneau de commande, laissez la porte du four ouverte pour éviter que le four ne s'allume accidentellement.
7. Si de la vapeur s'accumule à l'intérieur ou à l'extérieur de la porte du four, essuyez-la avec un chiffon doux. Cela peut se produire lorsque le four à micro-ondes est utilisé dans des **conditions d'humidité élevée. Et c'est normal.**
8. Il est parfois utile de retirer le plateau en verre pour le nettoyer. Lavez le plateau dans de l'eau chaude et savonneuse ou dans un lave-vaisselle.
9. L'anneau tournant et le bas de la cavité du four doivent être nettoyés régulièrement pour éviter tout bruit excessif. Il suffit d'essuyer la surface inférieure du four avec un détergent doux. L'anneau tournant peut être lavé dans de l'eau douce et savonneuse ou dans un lave-vaisselle. Après avoir retiré l'anneau tournant, veillez à le réinstaller dans la bonne position.
10. Éliminez les odeurs de votre four en posant une tasse d'eau mélangée au jus et à la peau d'un citron dans le micro-ondes. Faites fonctionner votre micro-ondes pendant 5 minutes. Essuyez et séchez avec un chiffon doux.
11. Si l'ampoule grille, veuillez contacter le service client pour la faire remplacer.
12. Le four doit être nettoyé régulièrement et tout dépôt de nourriture doit être éliminé. Si le four n'est pas maintenu propre, cela peut détériorer les surfaces de l'appareil, nuire à sa durée de vie et éventuellement créer une situation dangereuse.
13. Veuillez ne pas jeter cet appareil dans les ordures ménagères ; il doit être déposé dans un centre de tri spécialement prévu par votre municipalité.
14. Lorsque le four à micro-ondes avec fonction grill est utilisé pour la première fois, il peut produire une légère fumée et une légère odeur. Cela est normal, car le four est constitué d'une plaque en acier recouverte d'une huile lubrifiante, et que le four neuf produit de la fumée et une odeur générées par la combustion de cette huile lubrifiante. Ce phénomène disparaîtra au bout d'une période d'utilisation.

# Mikrohullámú sütő felhasználói kézikönyv



Modell: DIVO G20CR  
DIVO G20CC  
DIVO G20CMB  
DIVO G20CO  
DIVO G20CG

Kérjük, hogy a sütő telepítése és üzembe helyezése előtt olvassa el figyelmesen az utasításokat.



A CE jel terméken történő elhelyezésével igazoljuk, hogy a készülék minden európai biztonsági, egészségügyi és környezetvédelmi követelménynek megfelel.

### HULLADÉKKEZELÉS ÉS KÖRNYEZETVÉDELEM

---



A készülék jelölése megfelel az elektromos és az elektronikus berendezések hulladékairól szóló 2002/96/EK európai irányelvnek (WEEE). Az elektromos és az elektronikus berendezések hulladékai (a környezetre kedvezőtlen következményekkel járó) szennyezőanyagokat és (újrahasznosítható) alapösszetevőket tartalmaznak. Fontos, hogy az elektromos és az elektronikus berendezések hulladékai különleges kezelésben részesüljenek a szennyezőanyagok megfelelő eltávolítása és elhelyezése, és minden anyag visszanyerése érdekében. Az emberek fontos szerepet játszhatnak annak biztosításában, hogy az elektromos és az elektronikus berendezések hulladékai ne váljanak környezeti problémává. Nagyon fontos néhány alapvető szabály betartása:

– Az elektromos és az elektronikus berendezések hulladékai nem kezelhetők háztartási hulladékként;

– Az elektromos és az elektronikus berendezések hulladékait az önkormányzat vagy az arra kijelölt vállalat kezelésében álló megfelelő gyűjtőhelyeken kell leadni.

Sok országban az elektromos és az elektronikus berendezések nagyméretű hulladékait a lakásokból és az otthonokból gyűjtik be. Új készülék vásárlása esetén a régit visszaadhatjuk a kereskedőnek, akinek azt díjmentesen át kell vennie, amennyiben a berendezés típusa és funkciója azonos a megvásárolt berendezés típusával és funkciójával.

# Tartalomjegyzék

<b>TARTALOMJEGYZÉK.....</b>	<b>2</b>
<b>ÓVINTÉZKEDÉSEK A MIKROHULLÁMÚ ENERGIA TÚLZOTT HATÁSÁNAK ELKERÜLÉSE ÉRDEKÉBEN .....</b>	<b>3</b>
<b>FONTOS BIZTONSÁGI UTASÍTÁSOK .....</b>	<b>3</b>
<b>TELEPÍTÉSI ÚTMUTATÓ .....</b>	<b>7</b>
<b>FÖLDELÉSI UTASÍTÁSOK .....</b>	<b>7</b>
<b>RÁDIÓFREKVENCIÁS ZAVAROK.....</b>	<b>8</b>
<b>A SZERVIZ KIHÍVÁSA ELŐTT .....</b>	<b>8</b>
<b>SÜTÉSI TECHNIKÁK .....</b>	<b>8</b>
<b>ÚTMUTATÓ A FŐZŐEDÉNYEKHEZ .....</b>	<b>9</b>
<b>MŰSZAKI ADATOK.....</b>	<b>9</b>
<b>TERMÉK RÉSZEI.....</b>	<b>10</b>
<b>KEZELŐPANEL.....</b>	<b>11</b>
<b>ÜZEMELTETÉSI UTASÍTÁS.....</b>	<b>12</b>
AZ ÓRA BEÁLLÍTÁSA .....	12
GYORS INDÍTÁS.....	12
MIKROHULLÁMÚ SÜTÉS .....	12
GRILL .....	13
KOMBINÁCIÓS FUNKCIÓ.....	13
GYORS KIOLVASZTÁS .....	13
TÖBBFOKozATÚ SÜTÉS .....	14
NÉMÍTÁS FUNKCIÓ .....	14
GYEREKZÁR.....	14
AUTOMATIKUS SÜTÉS.....	14
<b>TISZTÍTÁS ÉS GONDOZÁS .....</b>	<b>16</b>

# ÓVINTÉZKEDÉSEK A MIKROHULLÁMÚ ENERGIA TÚLZOTT HATÁSÁNAK ELKERÜLÉSE ÉRDEKÉBEN

1. Ne próbálja meg a sütőt nyitott ajtóval működtetni, mert az a mikrohullámú energia káros hatását eredményezheti. A biztonsági reteszelt nem szabad letörni vagy kiiktatni.
2. Ne helyezzen semmilyen tárgyat a sütő ajtaja és a homlokfelület közé, és ügyeljen arra, hogy ne gyűljön össze étel- vagy tisztítószer-maradék a tömítő felületeken.
3. Ne működtesse a sütőt, ha sérült a készülék. Nagyon fontos, hogy az ajtó megfelelően záródjon, illetve, hogy a következők ne sérüljenek meg:
  - a) ajtó (beleértve az ajtó megvetemedését is),
  - b) csuklópántok és reteszek (törött vagy kilazult),
  - c) ajtó-tömítések és tömítőfelületek.
4. A sütőt csak képzett szerelők állíthatják be és javíthatják.

## FONTOS BIZTONSÁGI UTASÍTÁSOK

Az elektromos készülékek használatakor be kell tartani az alapvető biztonsági óvintézkedéseket, többek között az alábbiakat:

**FIGYELMEZTETÉS!** – Az égés, az áramütés, a tűz, a személyi sérülés és a mikrohullámú energia túlzott hatása veszélyének csökkentése érdekében:

1. A készülék használata előtt olvassa el az útmutatót, és tartsa meg későbbi használatra.
2. A készüléket csak a kézikönyvben ismertetett célra szabad használni. Ne használjon maró hatású vegyszereket vagy gőzöket a készülékben. Ezt a sütőt kifejezetten élelmiszerek melegítésére, sütésére vagy szárítására tervezték. Ipari vagy laboratóriumi célra nem használható.
3. Ne működtesse üres állapotban a sütőt.
4. Ne működtesse a készüléket, ha a kábel vagy csatlakozódugó sérült, ha a sütő nem működik megfelelően vagy ha a sütő sérült vagy leesett. Ha megsérült a hálózati kábel, akkor azt a veszélyek elkerülése érdekében a gyártónak vagy a gyártó hivatalos szervizének, illetve egy hasonlóan képzett személynek kell kicserélnie.
5. **FIGYELMEZTETÉS!** – Gyermek csak akkor használhatja felügyelet nélkül a sütőt, ha

megfelelő útmutatást kaptak arról, hogyan kell a sütőt biztonságosan használni és milyen veszélyei vannak a helytelen használatnak.

6. **FIGYELMEZTETÉS!** – A készülék kombinált üzemmódban történő működtetésekor a keletkező hő miatt gyermekek csak felnőtt felügyelete mellett használhatják a sütőt.
7. A sütőtérben kialakuló tűzveszély csökkentése érdekében:
  - Az étel műanyag vagy papírtálcán történő melegítésekor ellenőrizze gyakran a sütőt, mert azok könnyen meggyulladhatnak.
  - A sütőbe helyezés előtt vegye ki a papír- vagy a műanyag zacskókból a fémhuzalokat.
  - Füst észlelése esetén kapcsolja vagy húzza ki a készüléket, és az esetleges láng elfojtása céljából tartsa csukva az ajtót.
  - Ne használja tárolásra a sütőtérrel. Ne hagyjon papírtermékeket, főzőedényeket vagy ételt a sütőtérben, ha nem használja a készüléket.
  - A mikrohullámú sütő ételek és italok melegítésére szolgál. Ruhadarabok szárítása, melegítőpárnák, papucsok, szivacsok, nedves ruhák és egyéb felmelegítése sérülés- és tűzveszélyt okoz.
8. **FIGYELMEZTETÉS!** – A folyadékokat vagy más ételeket nem szabad lezárt edényekben melegíteni, mert azok felrobbanhatnak.
9. Az italok mikrohullámú melegítése késleltetett, hirtelen jellegű forrást eredményezhet, ezért az edény kezelésekor körültekintően kell eljárni.
10. Ne süssön zsírban ételt a sütőben. A forró olaj károsíthatja a sütő alkatrészeit és az edényeket, sőt a bőrünket is megégethetjük.
11. A tojást, illetve a keménytojást héjastul nem szabad a mikrohullámú sütőben melegíteni, mert az a melegítés befejezése után is szétpattanhat.
12. Sütés előtt szurkálja meg a vastag héjú élelmiszereket, például a burgonyát, az egészben lévő tököket, almát és gesztenyét.
13. A cumisüvegek és a bébiételes üvegek tartalmát a fogyasztás előtt össze kell keverni vagy fel kell rázni, és ellenőrizni kell a hőmérsékletét.
14. A főzőedények felforrósodhatnak, mert átveszik a felmelegített étel hőjét. Az edények kezeléséhez edényfogók használata válhat szükségessé.
15. Ellenőrizni kell az edényeket, hogy alkalmasak-e a mikrohullámú sütőben történő használatra.
16. **FIGYELMEZTETÉS!** – Csak az arra kiképzett személyek végezhetnek olyan javítási vagy szervizmunkát, amely a mikrohullámú energiával szemben védelmet nyújtó burkolat eltávolításával jár együtt.
17. Ez a mikrohullámú sütő megfelel az EN 55011/CISPR 11 szabványnak, amely szerint a B osztály 2. csoportba tartozik. A 2. csoportba tartozó készülék: a 2. csoportba tartozik minden olyan ISM RF készülék, amelyben a 9 kHz és 400 GHz közötti frekvenciatartományba tartozó rádiófrekvenciás energiát szándékosan hozzák létre és/vagy amelyekben a rádiófrekvenciás energiát elektromágneses sugárzás formájában használják az anyagok kezelésére, felügyeleti/elemezési célokra vagy elektromágneses energia átvitelére. A B osztályba azok a berendezések tartoznak, amelyek lakókörnyezetekben vagy olyan

létesítményekben történő használatra alkalmasak, amelyek közvetlenül csatlakoznak olyan kiefeszültségű áramellátó hálózathoz, amely háztartási célra használt épületeket lát el.



18. A készüléket nem használhatják csökkent fizikai, érzékszervi vagy szellemi képességű, illetve tapasztalatokkal és ismeretekkel nem rendelkező személyek (gyerekek sem), hacsak a biztonságukért felelős személy nem felügyeli a készülék használatát.
19. Ügyelni kell arra, hogy gyerekek ne játsszanak a készülékkel.
20. A mikrohullámú sütő csak szabadon álló formátumban használható.
21. **FIGYELMEZTETÉS!** – Ne szerelje be a mikrohullámú sütőt főzőlap vagy más hőtermelő berendezés fölé. Ilyen beszerelés esetén a mikrohullámú sütő károsodhat, és a garancia érvényét veszítheti.
22. A mikrohullámú sütőt nem szabad szekrénybe helyezni.
23. A készülék működése közben az ajtó vagy a külső felület felforrósodhat.
24. **FIGYELMEZTETÉS!** – A készülék hozzáférhető részei használat közben felmelegedhetnek. A kisgyermeket távol kell tartani a készüléktől.
25. A készülék használat közben felmelegszik. A sütő belsejében lévő fűtőelemeket nem szabad megérinteni tűzhelyek és sütők esetében.
26. Működés közben a készülék elérhető felületei felmelegedhetnek.
27. A készüléket nem használhatják gyermekek, csökkent fizikai, érzékszervi vagy szellemi képességű, illetve tapasztalatokkal és ismeretekkel nem rendelkező személyek, hacsak felügyeletben nem részesülnek, vagy útmutatást nem kaptak.
28. Az étel műanyag vagy papírtálcán történő melegítésekor a gyulladás lehetősége miatt tartsa a szemét a sütőn– ha az ajtó vagy az ajtószigetelés sérült, nem szabad a sütőt működtetni addig, amíg szakképzett szerelő ki nem javítja azt.
29. Az útmutató leszögezi, hogy a készülék nem működtethető külső időkapcsolóval vagy külön távvezérlő rendszerrel.
30. A mikrohullámú sütőt kizárólag háztartási célokra tervezték és nem ipari célú felhasználásra.
31. Soha ne távolítsa el a készülék hátoldalán és oldalain lévő távtartókat, mivel ezek biztosítják a levegő keringéséhez szükséges minimális távolságot a faltól.
32. A készülék mozgatása előtt rögzítse a forgótányért, hogy elkerülje annak esetleges károsodását.
33. **VIGYÁZAT!** – A készülék javítását vagy karbantartását veszélyes nem szakemberre bízni, mivel ilyen esetben el kell távolítani a burkolatot, amely védelmet nyújt a mikrohullámú sugárzás ellen. Ez vonatkozik a tápkábel és az izzó cseréjére is. Ilyen esetekben küldje be a készüléket ügyfélszolgálatunkra.
34. A mikrohullámú sütő kizárólag ételek kiolvasztására, sütésére és párolására alkalmas.
35. A megmelegített ételek kivételéhez használjon kesztyűt.
36. Vigyázat! Fedő vagy takaró alufólia megemelése esetén gőz távozik.
37. A készüléket csak akkor használhatják 8 éven felüli gyerekek, csökkent fizikai, érzékszervi vagy szellemi képességű, illetve tapasztalatokkal és ismeretekkel nem rendelkező személyek, ha felügyeletben részesülnek, vagy útmutatást kaptak a készülék biztonságos használatáról, és megértették a készülék használatában rejlő veszélyeket. Gyerekek nem játszhatnak a készülékkel. A tisztítást és a karbantartást nem végezhetik 8 év alatti és

felügyelet nélküli gyerekek.

38. Füst érzékelése esetén kapcsolja le vagy húzza ki a készüléket, és az esetleges láng elfojtása céljából tartsa csukva az ajtót.

## Telepítési útmutató

1. Vegye ki az összes csomagolóanyagot a készülék belsejéből.
2. **FIGYELMEZTETÉS!** – Ellenőrizze, hogy nincsenek-e olyan sérülések a sütőn, mint például rosszul beállított vagy megvetemedett ajtó, sérült ajtótomítás vagy tömítőfelület, törött vagy kilazult csuklópánt és retesz, illetve horpadások a sütőtérben vagy az ajtón. Ha bármilyen sérülést észlel, ne működtesse a sütőt, és vegye fel a kapcsolatot egy szakképzett szervizdolgozóval.
3. Helyezze a mikrohullámú sütőt sima, stabil felületre, amely a készülék saját súlyát és a sütőben elkészítendő legnehezebb étel súlyát egyaránt kibírja.
4. Ne tegye a sütőt meleg, nedves vagy nagy páratartalmú helyre vagy gyúlékony anyagok közelébe.
5. A készülék helyes működéséhez megfelelő levegőáramlást kell biztosítani. Hagyjon legalább 20 cm szabad területet a sütő felett, illetve 5 cm-t mindkét oldalánál. A mikrohullámú sütő hátlapjának a fal közelében kell elhelyezkednie. Ne takarja vagy ne zárja le a készülék nyílásait. Ne távolítsa el a készülék lábait.
6. Ne használja a sütőt a megfelelő helyzetben lévő üvegtányér, a görgőtartó és a tengely nélkül.
7. Ügyeljen arra, hogy ne sérüljön meg a hálózati kábel, ne kerüljön a készülék alá, vagy bármilyen forró vagy éles felület fölé.
8. A csatlakozóaljzatnak könnyen hozzáférhetőnek kell lennie, hogy vész helyzetben azonnal ki lehessen húzni a csatlakozódugót.
9. Ne használja a sütőt a szabadban.

## FÖLDELÉSI UTASÍTÁSOK

A készüléket földelni kell. A sütő földelő vezetékkel ellátott földelő dugóval van felszerelve. A dugót megfelelően szerelt és földelt fali csatlakozóaljzatba kell bedugni. Elektromos rövidzárlat esetén a földelés csökkenti az áramütés veszélyét, mert lehetőséget teremt az áram elvezetésére. A sütőhöz külön áramkör kialakítását javasoljuk. A nagyfeszültség használata veszélyes és tüzet vagy más, a sütő károsodásához vezető balesetet okozhat.

**FIGYELMEZTETÉS!** – A földelt csatlakozódugó helytelen használata áramütést idézhet elő.

Megjegyzés:

1. Ha bármilyen kérdése merül fel a földeléssel vagy az elektromos csatlakoztatást érintő utasításokkal kapcsolatban, kérjük, konzultáljon szakképzett villanyszerelővel vagy szervizdolgozóval.

2. Sem a gyártó, sem a kereskedő nem vállal felelősséget az elektromos csatlakoztatási utasítások be nem tartásából eredő személyi sérülésekért vagy a sütő károsodásáért.

A fővezeték huzalainak színezése a következő:

**Zöld és sárga = FÖLDELÉS**

**Kék = NULLAVEZETÉK**

**Barna = FESZÜLTÉG ALATTI VEZETÉK**

## Rádiófrekvenciás zavarok

A mikrohullámú sütő működése a rádió, a televízió vagy más hasonló berendezés használatakor rádiófrekvenciás zavart okozhat. Ilyenkor az alábbi lépések megtételével csökkenthető vagy szüntethető meg a zavar:

1. Tisztítsa meg a sütő ajtaját és tömítőfelületét.
2. Irányítsa másfelé a rádió vagy a televízió vevőantennáját.
3. Tegye át máshová a mikrohullámú sütőt a vevőkészülékhez képest.
4. Vigye távolabb a mikrohullámú sütőt a vevőkészüléktől.
5. Csatlakoztassa a mikrohullámú sütőt egy másik csatlakozóaljzatba, hogy a mikrohullámú sütő és a vevőkészülék két különböző áramkörön legyen.

## A szerviz hívása előtt

Mielőtt felhívná a szervizt, ellenőrizze az alábbi pontokat:

- Ellenőrizze, a sütő megfelelően be van-e dugaszolva a csatlakozóaljzatba. Ha nem, húzza ki a csatlakozódugót az aljzataból, várjon 10 másodpercet, majd pedig határozottan dugaszolja vissza újra.
- Ellenőrizze, hogy nem égett-e ki a biztosíték vagy nem lépett-e működésbe a megszakító. Ha nem, ellenőrizze a csatlakozóaljzatot egy másik készülékkel.
- Ellenőrizze, a kapcsolólap megfelelően van-e programozva és az időkapcsoló be van-e állítva.
- Ellenőrizze, hogy az ajtó rendesen be van-e csukva és bekapcsolódott-e az ajtózáró rendszer. Ha az ajtó nincs megfelelően bezárva, a mikrohullámú energia nem áramlik be.

**HA A FENT EMLÍTETT LÉPÉSEK EGYIKÉVEL SEM OLDHATÓ MEG A HELYZET, AKKOR VEGYE FEL A KAPCSOLATOT EGY SZAKKÉPZETT SZERELŐVEL. NE PRÓBÁLJA MEG SAJÁT MAGA BEÁLLÍTANI VAGY MEGJAVÍTANI A KÉSZÜLÉKET**

## Sütési technikák

1. Rendezze el körültekintően az ételt. A legvastagabb részeket a tál külső része felé helyezze el.
2. Figyelje a sütési időt. A sütést a megadott legrövidebb ideig végezze, és szükség esetén

süsse tovább az ételt. A túlsütött étel füstölhet és meggyulladhat.

3. Sütés közben fedje le az ételeket. A fedők megakadályozzák a felfröccsenést és elősegítik az ételek egyenletes sütését.
4. Az ételkészítés felgyorsítása érdekében a mikrohullámú sütés közben fordítsa meg egyszer az olyan ételeket, mint a csirke vagy a hamburger. A nagy darabokat, például a süteket legalább egyszer meg kell fordítani.
5. Sütéskor féldőben rendezze át az ételeket, például a húsgombócokat, felülről lefelé, illetve a tál középpontja felől kifelé.

## Útmutató a főzőedényekhez

1. A mikrohullám nem képes a fémbe behatolni. Csak mikrohullámú sütőbe való konyhai eszközöket szabad használni. Fémedények sem italok, sem ételek esetében nem használhatók mikrohullámú sütésre. Ez a követelmény nem érvényes akkor, ha a gyártó meghatározza a mikrohullámú sütéshez használható fémedények méretét és alakját.
2. A mikrohullám nem képes a fémbe behatolni, ezért nem használhatók fémedények vagy fémszegélyű tálak.
3. Ne használjon a mikrohullámú sütőben újra hasznosított papírtermékeket, mert apró fémrészecskéket tartalmazhatnak, amelyek szikrát és/vagy tüzet kelthetnek.
4. Négyzet és téglalap alakú edények helyett kerek/ovális tálak használatát javasoljuk, mert a sarkokban túlfőhet az étel.
5. A szabadon lévő részek túlsütésének elkerülésére keskeny alufólia-csíkok használhatók. Ne használjon túl sok alufóliát, és tartson legalább 2,54 cm távolságot a fólia és a sütőtér belső fala között.

Az alábbi táblázat a megfelelő edények kiválasztásához nyújt segítséget.

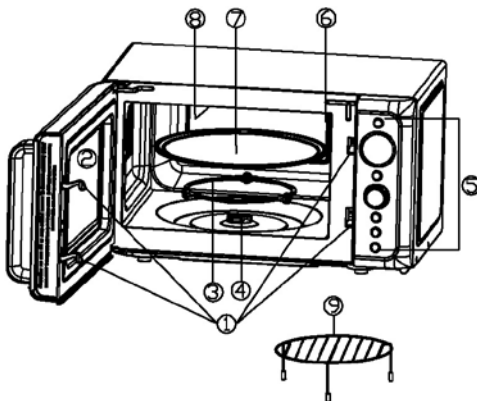
EDÉNY	MIKROHULLÁM	GRILL	KOMBINÁLT
Hőálló üveg	Igen	Igen	Igen
Nem hőálló üveg	Nem	Nem	Nem
Hőálló kerámia	Igen	Igen	Igen
Mikrohullám-biztos műanyag edény	Igen	Nem	Nem
Konyhai papír	Igen	Nem	Nem
Fémáltalca	Nem	Igen	Nem
Fémrács	Nem	Igen	Nem
Alufólia és fóliatalca	Nem	Igen	Nem

## Műszaki adatok

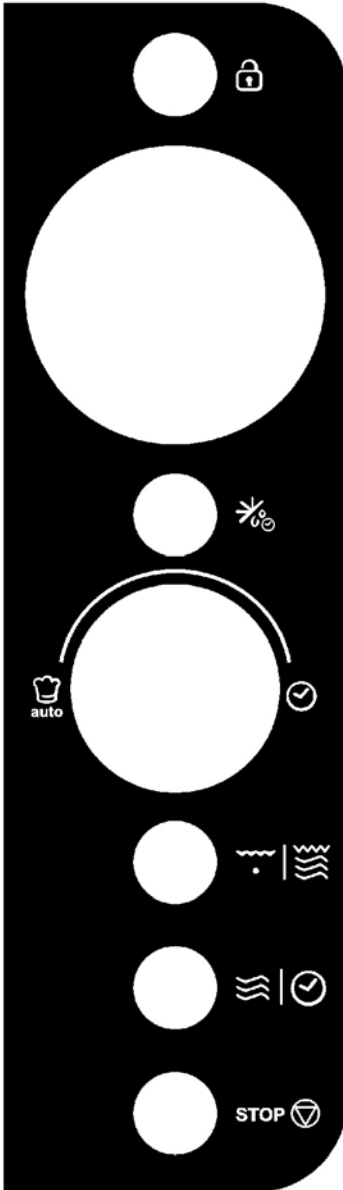
Energiafogyasztás:	230 V/50 Hz, 1200W (mikrohullám)
	900 W (grill)
Névleges mikrohullámú teljesítmény:	700W
Üzemi frekvencia:	2450 MHz
Külméreték:	262 mm (magasság) x 452 mm (szélesség) x 369 mm (mélység)
Sütőtér-méreték:	198 mm (magasság) x 315 mm (szélesség) x 297 mm (mélység)
A sütő térfogata:	20 liter
Nettó tömeg:	kb.11kg

## Termék részei

1. Biztonsági ajtózár-rendszer
2. Sütőablak
3. Görgős gyűrű
4. Szár
5. Kezelőpanel
6. Hullámterelő (Ne távolítsa el a hullámterelőt borító mica lemezt)
7. Üvegtányér
8. Grillmelegítő
9. Fémrács



# Kezelőpanel



## ● KIJELZŐ

Sütési idő, energiaellátás, kijelzések és a pontos idő megjelenítése.

## ● LOCK

Nyomja meg a némítás funkció bekapcsolásához. Használja a gyermekzár bekapcsolásához.

## ● SPEED DEFROST

Nyomja meg az időalapú kiolvasztás bekapcsolásához.

## ● MENU/TIME (kezelőgomb)

Forgassa el az idő beállításához vagy automatikus sütési menü kiválasztásához.

## ● START/QUICK START (kezelőgomb)

Nyomja meg a kezelőgombot sütési vagy kiolvasztási programok indításához.

Egyszerűen nyomja meg többször a sütési idő beállításához, és azonnal teljes teljesítménnyel főzhet.

## ● GRILL/COMBI. |

Grill sütési program beállításához nyomja meg.

Nyomja meg a két kombinált sütési beállítás egyikének kiválasztásához.

## ● POWER/CLOCK |


Nyomja meg a mikrohullámú sütés teljesítményszintjének beállításához.

Nyomja meg a pontos idő beállításához.

## ● STOP/CANCEL STOP

Nyomja meg egyszer a sütés ideiglenes abbahagyásához, vagy kétszer a sütés teljes törléséhez.

# Üzemeltetési utasítás

- Amikor először csatlakoztatja a készüléket az elektromos hálózathoz, a kijelzőn megjelenik a következő: „” és „1:00”.
- A beállítás folyamatának 30 másodperces megszakítása esetén a sütő visszatér készenléti üzemmódba.
- Sütés közben egyszer nyomja meg a STOP/CANCEL gombot a program szüneteltetéséhez, majd a START/QUICK START gombot a folytatáshoz, illetve nyomja meg kétszer a STOP/CANCEL gombot a program törléséhez.
- A sütés befejeztével a kijelzőn megjelenik az End felirat, és kétpercenként hangjelzés hallatszik, amíg meg nem nyomja bármelyik gombot, vagy ki nem nyitja az ajtót.
- A mikrohullámú sütő elektromos vezérlőrendszere rendelkezik hűtési funkcióval. Bármely, 2 percnél hosszabb sütési mód esetében a sütés befejeztével nyissa ki a sütőajtót, vagy szüneteltesse a programot, a sütőventilátor körülbelül 3 percre működésbe lép a sütő lehűtésére, ezzel is növelve a sütő élettartamát.

## AZ ÓRA BEÁLLÍTÁSA

---

Ez az óra 12 vagy 24 órás formátumot használ. Készenléti módban megnyomva a POWER/CLOCK gombot beállíthatja a pontos időt 12 vagy 24 órás formátumban.

1. Készenléti üzemmódban tartsa lenyomva 3 másodpercig a POWER/CLOCK gombot a 12 órás formátum kiválasztásához, vagy nyomja meg még egyszer a 24 órás formátum kiválasztásához.
2. Forgassa el a MENU/TIME kezelőgombot az óra értékének beállításához.
3. Nyomja meg egyszer POWER/CLOCK gombot.
4. Forgassa el a MENU/TIME kezelőgombot a perc értékének beállításához.
5. A nyugtázáshoz nyomja meg a POWER/CLOCK gombot.

## GYORS INDÍTÁS

---

Ezzel a funkcióval a sütőt beprogramozhatja az ételek 100% teljesítménnyel való kényelmes sütésére. Készenléti módban nyomja meg többször a START/QUICK START gombot (minden nyomás 30 másodperccel növeli az időt, egészen 10 percig), a sütő automatikusan 100% teljesítménnyel indul.

**MEGJEGYZÉS:** Sütés közben növelheti a sütési időt a START/QUICK START gomb megnyomásával.

## MIKROHULLÁMÚ SÜTÉS

---

1. Nyomja meg többször POWER/CLOCK gombot a teljesítményszint kiválasztásához.
2. Forgassa el MENU/TIME kezelőgombot az óramutató járásának megfelelően sütési

időtartam megadásához. A leghosszabb időtartam 95 perc.

3. Nyomja meg a START/QUICK START gombot.

**A POWER/CLOCK gomb megnyomásával válasszon teljesítményszintet:**

Nyomja meg a POWER/CLOCK gombot	Teljesítmény (kijelzés)
Egyszer	100% (100)
Kétszer	80% (80)
Háromszor	60% (60)
Négyszer	40% (40)
Ötször	20% (20)
Hatször	0% (00)

**MEGJEGYZÉS:** Sütés közben az aktuális teljesítményszint megtekinthető a POWER/CLOCK gomb megnyomásával.

## GRILL

---

A grillsütés különösen hasznos vékony hússzeletek, steak, borda, kebab, kolbász és csirke darabok esetén. Melegszendvics és csőben sült elkészítésére is alkalmas.

1. Nyomja meg egyszer a GRILL/COMBI. gombot.
2. Forgassa el MENU/TIME kezelőgombot a sütési időtartam megadásához. A leghosszabb időtartam 95 perc.
3. A jóváhagyáshoz nyomja meg a START/QUICK START gombot.

## KOMBINÁCIÓS FUNKCIÓ

---

A grill tovább működik, mint a mikrohullám az 1. kombinált sütési módban, használja halhoz és csőben sültetekhez. A mikrohullám azonban hosszabb ideig működik, mint a grill a 2. kombinált sütési módban, használja pudinghoz, omletthez, sült burgonyához és szárnyashoz.

1. Készenléti módban nyomja meg kétszer vagy háromszor a GRILL/COMBI. a „Co-1” vagy „Co-2” beállításához.
2. Forgassa el MENU/TIME kezelőgombot a sütési időtartam megadásához. A leghosszabb időtartam 95 perc.
3. A jóváhagyáshoz nyomja meg a START/QUICK START gombot.

## GYORS KIOLVASZTÁS

---

1. Készenléti módban nyomja meg egyszer SPEED DEFROST gombot.
2. Forgassa el MENU/TIME kezelőgombot a leolvasztás időtartamának megadásához. A leghosszabb időtartam 95 perc.



3. A jóváhagyáshoz nyomja meg a START/QUICK START gombot.

**MEGJEGYZÉS:** A leolvasztás program időtartama alatt a rendszer szünetet tart, és hangjelzéssel figyelmezteti a felhasználót az étel megfordítására. Ezután nyomja meg a START/QUICK START gombot a folytatáshoz.

## TÖBBFOKOZATÚ SÜTÉS

---

A sütőt legfeljebb 3 automatikus mikrohullám sütési folyamat végrehajtására lehet programozni.

Tegyük fel, hogy a következő sütési programot szeretné beállítani:

Mikrohullámú sütés

↓

Mikrohullámú sütés (alacsonyabb teljesítményszinten)

1. Adja meg az első mikrohullámú sütési programot. Ne nyomja meg a START/QUICK START gombot.
2. Adja meg a második mikrohullámú sütési programot.
3. A jóváhagyáshoz nyomja meg a START/QUICK START gombot.

**MEGJEGYZÉS:** A többfokozatú sütés során nem állítható be gyors indítás, kiolvasztás, illetve automatikus sütési menük.

## NÉMÍTÁS FUNKCIÓ

---

**Beállítás:** Készenléti üzemmódban nyomja meg egyszer LOCK gombot, a kijelzőn 3 másodpercre megjelenik az „OFF” felirat. Ekkor egyetlen program vagy gomb sem ad ki figyelmeztető hangjelzést, és a sütő visszatér készenléti üzemmódba.

**Visszavonás:** Némítás üzemmódban nyomja meg egyszer a LOCK gombot, a kijelzőn 3 másodpercre megjelenik az „on” felirat, és hangjelzés hallatszik. Ekkor minden program és gomb figyelmeztető hangjelzése visszaáll normál állapotba, és a sütő visszaáll készenléti üzemmódba.

## GYEREKZÁR

---

Megakadályozza, hogy kisgyermek véletlenül bekapcsolják a készüléket.

**Beállítás:** Készenléti módban tartsa lenyomva 3 másodpercig a LOCK gombot, a sütő automatikusan gyermekzár módba lép, és a zár jelzőlámpája bekapcsol. Lezárt állapotban minden gomb zárolva van.

**Törlés:** Gyermekzár módban tart, lenyomva 3 másodpercig a LOCK gombot, a zár jelzőlámpája kikapcsol.

## AUTOMATIKUS SÜTÉS

---

Egyes ételekhez vagy a következő sütési módhoz nem szükséges a sütési idő és teljesítmény beprogramozása. Meg kell viszont adni a sütni kívánt étel típusát, illetve az étel súlyát vagy adagjait.

1. Készletléti módban forgassa a MENU/TIME kezelőgombot egyszer az óramutató járásával ellentétes irányba, majd forgassa el az étel kódjának kiválasztásához.
2. Nyomja meg egyszer a START/QUICK START gombot.
3. Forgassa el a MENU/TIME gombot az étel súlyának vagy adagjainak kiválasztásához.
4. A jóváhagyáshoz nyomja meg a START/QUICK START gombot.

## Automatikus sütési menük:

Kód	Étel	Megjegyzés
A-1	Tej/kávé (200 ml/csésze, 1-3 csésze)	1. A-7, A-8 és A-9 elemek esetén sütés közben a rendszer szünetet tart, hogy emlékeztesse Önt az étel megfordítására, ezután nyomja meg a START/QUICK START gombot a kiolvasztás folytatásához. 2. Az automatikus sütés eredménye több tényezőtől függ, például az étel alakjától és méretétől, az Ön ízlésétől, illetve bizonyos ételek elkészítésének mértékétől, valamint attól, hogy hogyan helyezi el az ételt a sütőben. Ha bármikor nem tartja kielégítőnek az eredményt, módosítson egy kicsit a sütési időn.
A-2	Rizs (150-600 g)	
A-3	Spagetti (100-300 g)	
A-4	Burgonya (230 g/adag, 1-2 adag)	
A-5	Automatikus felmelegítés (200-800 g)	
A-6	Hal (200-600 g)	
A-7	Csirke (800-1400 g)	
A-8	Marha-/báránycsús (200-600 g)	
A-9	Nyárson sült hús (100-500 g)	

## Tisztítás és gondozás

1. Tisztítás előtt kapcsolja ki a sütőt és húzza ki a kábelt a fali csatlakozóaljzatból.
2. Tartsa tisztán a gép belsejét. A sütő falaira felfreccsent étel- és folyadékmaradványokat törölje le nedves ruhával. Ha nagyon szennyes a sütő, akkor enyhe mosogatószer is használható. Ne használjon zsíroló sprayket vagy más, maró hatású anyagokat. A felület ezek miatt foltos, csíkos vagy fénytelen lehet.
3. A sütő külső felületeit nedves ruhával kell tisztítani. A sütőn belüli működő részek károsodásának elkerülése érdekében nem szivároghat víz a szellőzőnyílásokba.
4. A kilötyent és a kifreccsent ételmaradványok eltávolítása céljából törölje le gyakran az ajtó és az ablak mindkét oldalát nedves ruhával. Ne használjon dörzsölő hatású tisztítószert.
5. A gőztisztító eszközök használatát kerülje.
6. Vigyázzon, hogy ne legyen nedves a kapcsolólap. Tisztítsa meg puha, nedves ruhával. A kapcsolólap tisztításakor hagyja nyitva az ajtót, nehogy véletlenül bekapcsolódjon a készülék.
7. Ha pára képződik a sütőajtó belső vagy külső részén, akkor törölje le puha ruhával. Ez akkor fordulhat elő, ha a mikrohullámú sütő nagyon párás körülmények között működik. Ez normális jelenség.
8. Időnként az üvegtányér is ki kell venni tisztítás céljából. Az üvegtányér meleg, szappanos vízben vagy mosogatógépben mosható el.
9. A görgős gyűrűt és a sütő alját rendszeresen tisztítani kell a túlzott zörejek elkerülése céljából. Egyszerűen csak törölje át a sütő alsó felületét enyhe mosogatószerrel. A görgős

gyűrű enyhén, szappanos vízben vagy mosogatógépben mosható el. A görgős gyűrű visszahelyezésekor ügyeljen a gyűrű megfelelő helyzetére.

10. A sütőben lévő szagok úgy szüntethetők meg, hogy egy pohár vizet és egy citrom levét és héját egy mikrohullámmal használható edénybe teszi, és 5 percen keresztül mikrohullámmal melegíti. Puha ruhával törölje szárazra a sütő belsejét.
11. Ha az izzó kiég, forduljon az ügyfélszolgálathoz, hogy kicseréeljék.
12. A sütőt rendszeresen kell tisztítani, és az étellerakódásokat el kell távolítani. A sütő tisztántartásának elmulasztása felület elhasználódásához vezethet, ami kedvezőtlenül befolyásolhatja az egység élettartamát, és veszélyes helyzetet idézhet elő.
13. Kérjük, ne tegye a készüléket háztartásihulladék-gyűjtő tartályba. A készüléket az önkormányzatok által rendelkezésre bocsátott speciális lerakóhelyekre kell szállítani.
14. A mikrohullám és a grill funkció első használatakor enyhe szag és füst keletkezhet. Ez normál jelenség, mivel a sütő acéllemezeit kenőolaj borítja, így az új sütőben füst és szag képződik, ahogy a kenőolaj elég. Ez a jelenség néhány használat után eltűnik.