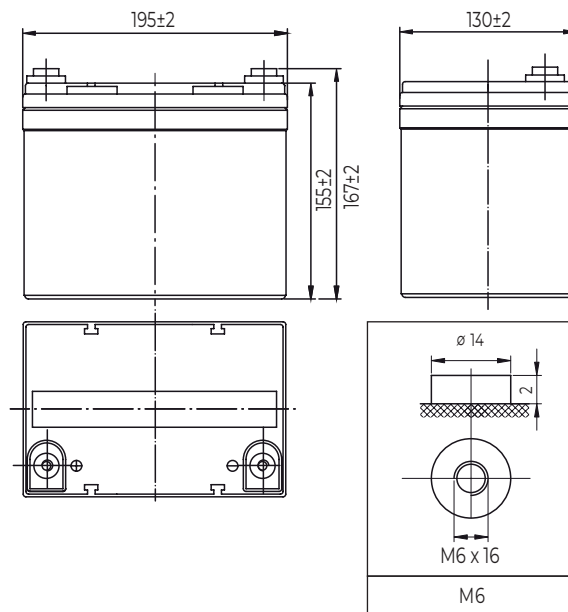


### CHARACTERISTICS

Deep Cycle Series

Nominal voltage		12V (6 cell per unit)
Nominal capacity at 10 hours rate/10.8V (25°C)		34 Ah
Capacity (25°C)	20 Hours rate/10.5V	36.2Ah
	5 Hours rate/10.5V	30 Ah
Terminal type		M6
Torque		5.1±0.6 N.m
Approx. internal resistance (25°C)		9.0 mΩ
Dimensions	Length	195±2mm
	Width	130±2mm
	Height	155±2mm
	Total height	167±2mm
Design Life (stand-by)	JIS at 25°C	10 years
	Eurobat at 20°C	10/12 years
Weight		11.00kg ±4%
Nominal operating temperature		25±3°C
Operating temperature range	Discharge	-15°C~50°C
	Charge	-10°C~50°C
	Storage	-20°C~50°C
Float charging voltage at 25°C		13.5V~13.8V
Cyclic charging voltage at 25°C		14.5V~15.0V
Temperature compensation	Float charge	-18 mV/°C/Block
	Cycle charge	-30 mV/°C/Block
Max. charging current (A)		9.9A
Max. discharge current for 5 seconds		330A
Self discharge rate (25°C)		≤3%/month
Battery container ABS UL94-HB		V-0 optional

### DIMENSIONS & TERMINAL TYPE (MM)



### CERTIFICATION & COMPLIANCES



Compliant to: EUROBAT, RoHS, WEEE's and Reach.  
Manufactured according to IEC 60896-21 / 22

### CONSTRUCTION

Component	Positive Plate	Negative plate	Container	Separator	Electrolyte	Safety valve	Terminal
Raw material	Lead dioxide	Lead	ABS (V-0 opt.)	AGM	Sulfuric Acid	Rubber	Copper

### CONSTANT CURRENT DISCHARGE CHARACTERISTICS AT 25°C

(Ampere/battery)

F.V/Time	10min	15min	30min	60min	2hr	3hr	4hr	5hr	8hr	10hr	20hr
9.60V	74.1	57.1	34.2	21.0	12.4	8.95	7.14	6.10	4.20	3.46	1.83
9.90V	71.9	55.7	33.5	20.7	12.4	8.89	7.10	6.07	4.17	3.45	1.83
10.2V	68.9	53.7	32.5	20.2	12.2	8.83	7.05	6.03	4.14	3.44	1.83
10.5V	66	51.9	31.7	19.5	12.1	8.77	7.00	5.98	4.11	3.42	1.81
10.8V	62.3	49.1	30.5	18.9	11.8	8.51	6.79	5.80	3.99	3.40	1.80

### CONSTANT POWER DISCHARGE CHARACTERISTICS AT 25°C

(Watts/battery)

F.V/Time	10min	15min	30min	60min	2hr	3hr	4hr	5hr	8hr	10hr	20hr
9.60V	800	627	383	240	144	105	84.0	72.1	49.9	41.3	22.0
9.90V	776	612	376	236	143	105	83.5	71.7	49.6	41.2	22.0
10.2V	744	590	364	230	142	104	82.9	71.2	49.2	41.1	21.9
10.5V	712	569	355	223	140	103	82.4	70.7	48.9	40.9	21.8
10.8V	672	539	342	216	136	100	79.9	68.6	47.4	40.6	21.6

The above characteristics represent average values and can be obtained within three charge and discharge cycles. The batteries must be fully charged before testing. The data in this document is subject to change without notice and become contractual only after written confirmation. Please contact Avacom for the latest available version.