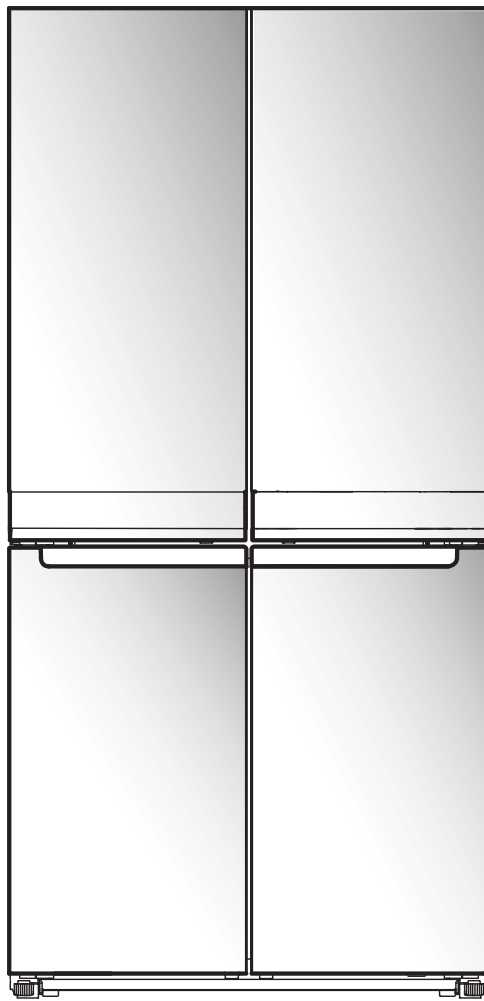


# Whirlpool

WQ9 E1L, WQ9 B1L,  
6WM591NIHAS and  
WQ70900SXX



English	REFRIGERATOR USER INSTRUCTIONS .....	3
Italiano	ISTRUZIONI PER L'USO DEL FRIGORIFERO .....	27
Français canadien	INSTRUCTIONS D'UTILISATION DU RÉFRIGÉRATEUR .....	51
Русский	РУКОВОДСТВО ПОЛЬЗОВАТЕЛЯ ХОЛОДИЛЬНИКА .....	75
Polski	INSTRUKCJA OBSŁUGI CHŁODZIARKI .....	103
Română	INSTRUCȚIUNI DE UTILIZARE A FRIGIDERULUI.....	127
Türkçe	BUZDOLABI KULLANIM TALİMATLARI.....	151
Nederlands	GEBRUIKSAANWIJZING KOEL-VRIESCOMBINATIE .....	175
Svenska	BRUKSANVISNING FÖR KYLSKÅP .....	199
Dansk	BRUGERVEJLEDNING TIL KØLE-/FRYSESKABET .....	223
Norsk	BRUKSANVISNING FOR KJØLESKAP .....	247
Português	INSTRUÇÕES DE UTILIZAÇÃO DO FRIGORÍFICO .....	271
Български	ИНСТРУКЦИИ ЗА ПОТРЕБИТЕЛИТЕ НА ХЛАДИЛНИКА .....	295
Hrvatski	KORISNIČKE UPUTE HLADNJAKA .....	321
Česky	NÁVOD K POUŽITÍ CHLADNIČKY .....	345
Eesti keeles	KÜLMIKU KASUTUSJUHEND .....	369
Ελληνικά	ΟΔΗΓΙΕΣ ΧΡΗΣΗΣ ΨΥΓΕΙΟΥ .....	393
Magyar	HŰTŐSZEKRENY HASZNÁLATI UTASÍTÁSA .....	417
Latviešu	LEDUSSKAPJA LIETOŠANAS INSTRUKCIJA.....	441
Lietuvių k.	ŠALDYTUVO NAUDOJIMO INSTRUKCIJA .....	465
Slovenčina	POKYNY PRE POUŽÍVATEĽA CHLADNIČKY .....	489
Slovenščina	NAVODILA ZA UPORABO HLADILNIKA .....	513
Español	INSTRUCCIONES PARA EL USUARIO DEL REFRIGERADOR.....	537
561.....	تعليمات استخدام الثلاجة.....	العربية



# FRENCH DOOR BOTTOM MOUNT REFRIGERATOR USE AND CARE GUIDE

## Table of Contents

<b>REFRIGERATOR SAFETY</b> .....	<b>4</b>
Proper Disposal of Your Old Refrigerator .....	7
<b>PARTS AND FEATURES</b> .....	<b>8</b>
<b>INSTALLATION INSTRUCTIONS</b> .....	<b>9</b>
Getting Started.....	9
Unpack the Refrigerator .....	9
Location Requirements .....	10
Electrical Requirements .....	10
Remove and Replace Refrigerator Doors .....	12
Remove and Replace Freezer/Flexi Freeze Door.....	14
Refrigerator Levelling .....	15
Using the Controls .....	16
Lighting the Refrigerator .....	17
<b>REFRIGERATOR USE</b> .....	<b>18</b>
Opening and Closing Doors .....	18
Food Storage .....	18
<b>SHELVES, BINS AND DRAWERS</b> .....	<b>19</b>
Freezer Storage Compartments .....	20
Audio Reference .....	20
Accessories .....	20
Assistance or Service .....	20
<b>REFRIGERATOR CARE</b> .....	<b>21</b>
Cleaning .....	21
Lights.....	22
Holiday and Moving Care .....	22
<b>TROUBLESHOOTING</b> .....	<b>23</b>

# REFRIGERATOR SAFETY

## Your safety and the safety of others are very important.

We have provided many important safety messages in this manual and on your appliance. Always read and obey all safety messages.



This is the safety alert symbol.

This symbol alerts you to potential hazards that can kill or hurt you and others.

All safety messages will follow the safety alert symbol and either the word "DANGER" or "WARNING."

These words mean:

 **DANGER**

**You can be killed or seriously injured if you don't immediately follow instructions.**

 **WARNING**

**You can be killed or seriously injured if you don't follow instructions.**

All safety messages will tell you what the potential hazard is, tell you how to reduce the chance of injury, and tell you what can happen if the instructions are not followed.

## SAFETY INSTRUCTIONS

Before using the appliance, read these safety instructions. Keep them nearby for future reference. These instructions and the appliance itself provide important safety warnings, to be observed at all times. The manufacturer declines any liability for failure to observe these safety instructions, for inappropriate use of the appliance or incorrect setting of controls.

⚠ Very young children (0-3 years) should be kept away from the appliance. Young children (3-8 years) should be kept away from the appliance unless continuously supervised. Children from 8 years old and above and persons with reduced physical, sensory or mental capabilities or lack of experience and knowledge can use this appliance only if they are supervised or have been given instructions on safe use and understand the hazards involved. Children must not play with the appliance. Cleaning and user maintenance must not be carried out by children without supervision.

### PERMITTED USE

⚠ CAUTION: The appliance is not intended to be operated by means of an external switching device, such as a timer, or separate remote controlled system.

⚠ This appliance is intended to be used in household and similar applications such as: staff kitchen areas in shops, offices and other working environments; farm houses; by clients in hotels, motels, bed & breakfast and other residential environments.

⚠ This appliance is not for professional use. Do not use the appliance outdoors.

⚠ The appliance is designed for operation in places where the ambient temperature comes within the following ranges, according to the climatic class given on the rating plate. The appliance may not work properly if it is left for a long time at a temperature outside the specified range.

Climatic Class Amb. T. (°C)

SN: From 10 to 32 °C; N: From 16 to 32 °C

ST: From 16 to 38 °C; T: From 16 to 43 °C

⚠ This appliance does not contain CFCs. The refrigerant circuit contains R600a (HC). Appliances with Isobutane (R600a): isobutane is a natural gas without environmental impact, but is flammable. Therefore, make sure the refrigerant circuit pipes are not damaged, especially when emptying the refrigerant circuit.

⚠ WARNING: Do not damage the appliance refrigerant circuit pipes.

⚠ WARNING: Keep ventilation openings, in the appliance enclosure or in the built-in structure, clear of obstruction.

## IMPORTANT TO BE READ AND OBSERVED

⚠ WARNING: Do not use mechanical, electric or chemical means other than those recommended by the Manufacturer to speed up the defrost process.

⚠ WARNING: Do not use or place electrical devices inside the appliance compartments if they are not of the type expressly authorised by the Manufacturer.

⚠ WARNING: Ice makers and/or water dispensers not directly connected to the water supply must be filled with potable water only.

⚠ WARNING: Automatic ice-makers and/or water dispensers must be connected to a water supply that delivers potable water only, with mains water pressure between 0.17 and 0.81 MPa (1.7 and 8.1 bar).

⚠ Do not store explosive substances such as aerosol cans with a flammable propellant in this appliance.

⚠ Do not swallow the contents (non-toxic) of the ice packs (provided with some models). Do not eat ice cubes or ice lollies immediately after taking them out of the freezer since they may cause cold burns.

⚠ For products designed to use an air filter inside an accessible fan cover, the filter must always be in position when the refrigerator is in function.

⚠ Do not store glass containers with liquids in the freezer compartment since they may break. Do not obstruct the fan (if included) with food items. After placing the food check that the door of the compartments closes properly, especially the freezer door.

⚠ Damaged gaskets must be replaced as soon as possible.

⚠ Use the refrigerator compartment only for storing fresh food and the freezer compartment only for storing frozen food, freezing fresh food and making ice cubes.

⚠ Avoid storing unwrapped food in direct contact with internal surfaces of the refrigerator or freezer compartments. Appliances could have special compartments (Fresh Food Compartment, Zero Degree Box, etc.). Unless specified in the specific booklet of product, they can be removed, maintaining equivalent performances.

### INSTALLATION

⚠ The appliance must be handled and installed by two or more persons - risk of injury. Use protective gloves to unpack and install - risk of cuts.

⚠ Installation, including water supply (if any) and electrical connections, and repairs must be carried out by a qualified technician. Do not repair or replace any part of the appliance unless specifically stated in the user manual. Keep children away from the installation site.

After unpacking the appliance, make sure that it has not been damaged during transport. In the event of problems, contact the dealer or your nearest After-sales Service. Once installed, packaging waste (plastic, styrofoam parts etc.) must be stored out of reach of children - risk of suffocation. The appliance must be disconnected from the power supply before any installation operation - risk of electric shock. During installation, make sure the appliance does not damage the power cable - risk of fire or electric shock. Only activate the appliance when the installation has been completed.

⚠ Be careful not to damage the floors (e.g. parquet) when moving the appliance. Install the appliance on a floor or support strong enough to take its weight and in a place suitable for its size and use. Make sure the appliance is not near a heat source and that the four feet are stable and resting on the floor, adjusting them as required, and check that the appliance is perfectly level using a spirit level. Wait at least two hours before switching the appliance on, to ensure that the refrigerant circuit is fully efficient.

⚠ To guarantee adequate ventilation, leave a space on both sides and above the appliance. The distance between the rear of the appliance and the wall behind the appliance should be 50mm, to avoid access to hot surfaces. A reduction of this space will increase the Energy consumption of product.

⚠ **WARNING:** To avoid a hazard due to instability, positioning or fixing of the appliance must be done in accordance with the manufacturer instructions. It is forbidden to place the refrigerator in such way that the metal hose of gas stove, metal gas or water pipes, or electrical wires are in contact with the refrigerator back wall (condenser coil).

⚠ If it is necessary to replace the doors, please contact the Technical Assistance Center.

### **ELECTRICAL WARNINGS**

⚠ It must be possible to disconnect the appliance from the power supply by unplugging it if plug is accessible, or by a multi-pole switch installed upstream of the socket in accordance with the wiring rules and the appliance must be earthed in conformity with national electrical safety standards.

⚠ Do not use extension leads, multiple sockets or adapters. The electrical components must not be accessible to the user after installation. Do not use the appliance when you are wet or barefoot. Do not operate this appliance if it has a damaged power cable or plug, if it is not working properly, or if it has been damaged or dropped.

⚠ If the supply cord is damaged, it must be replaced with an identical one by the manufacturer, its service agent or similarly qualified persons in order to avoid a hazard - risk of electric shock.

⚠ **WARNING:** When positioning the appliance, ensure the supply cord is not trapped or damaged.

⚠ **WARNING:** Do not locate multiple portable socket-outlets or portable power supplies at the rear of the appliance.

### **CLEANING AND MAINTENANCE**

⚠ **WARNING:** Ensure that the appliance is switched off and disconnected from the power supply before performing any maintenance operation; never use steam cleaning equipment - risk of electric shock.

⚠ Do not use abrasive or harsh cleaners such as window sprays, scouring cleansers, flammable fluids, cleaning waxes, concentrated detergents, bleaches or cleansers containing petroleum products on plastic parts, interior and door liners or gaskets. Do not use paper towels, scouring pads, or other harsh cleaning tools.

### **DISPOSAL OF PACKAGING MATERIALS**

The packaging material is 100% recyclable and is marked with the recycle symbol ♻.

The various parts of the packaging must therefore be disposed of responsibly and in full compliance with local authority regulations governing waste disposal.

### **DISPOSAL OF HOUSEHOLD APPLIANCES**

This appliance is manufactured with recyclable or reusable materials. Dispose of it in accordance with local waste disposal regulations. For further information on the treatment, recovery and recycling of household electrical appliances, contact your local authority, the collection service for household waste or the store where you purchased the appliance. This appliance is marked in compliance with European Directive 2012/19/EU, Waste Electrical and Electronic Equipment (WEEE). By ensuring this product is disposed of correctly, you will help prevent negative consequences for the environment and human health.

The symbol ⚡ on the product or on the accompanying documentation indicates that it should not be treated as domestic waste but must be taken to an appropriate collection center for the recycling of electrical and electronic equipment.

### **ENERGY SAVING TIPS**

Install the appliance in a dry, well ventilated room far away from any heat source (eg. radiator, cooker, etc.) and in a place not exposed directly to the sun. If required, use an insulating plate.

To guarantee adequate ventilation follow installation instructions. Insufficient ventilation at the back of the product increases energy consumption and decreases cooling efficiency.

Frequent door opening might cause an increase in Energy Consumption. The internal temperature of the appliance and the Energy Consumption may be affected also by the ambient temperature, as well as location of the appliance. Temperature setting should take into consideration these factors.

Reduce door opening to a minimum.

When thawing frozen food, place in the refrigerator. The low temperature of the frozen products cools the food in the refrigerator. Allow warm food and drinks to cool down before placing in the appliance.

Positioning of the shelves in the refrigerator has no impact on the efficient usage of energy. Food should be placed on the shelves in such way to ensure proper air circulation (food should not touch each other and distance between food and rear wall should be kept).

You can increase storage capacity of frozen food by removing baskets and, if present, Stop Frost shelf.

Do not worry about noises coming from the compressor which are described as normal noises in this product's Quick Guide.



## Proper Disposal of Your Old Refrigerator

### **⚠ WARNING**

#### **Suffocation Hazard**

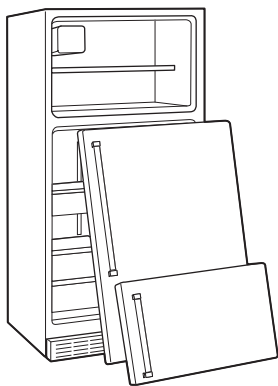
**Remove doors from your old refrigerator.**

**Failure to do so can result in death or brain damage.**

**IMPORTANT:** Child entrapment and suffocation are not problems of the past. Scrapped or abandoned refrigerators are still dangerous—even if they will sit for “just a few days.” If you are getting rid of your old refrigerator, please follow these instructions to help avoid accidents.

#### **Before You Throw Away Your Old Refrigerator or Freezer:**

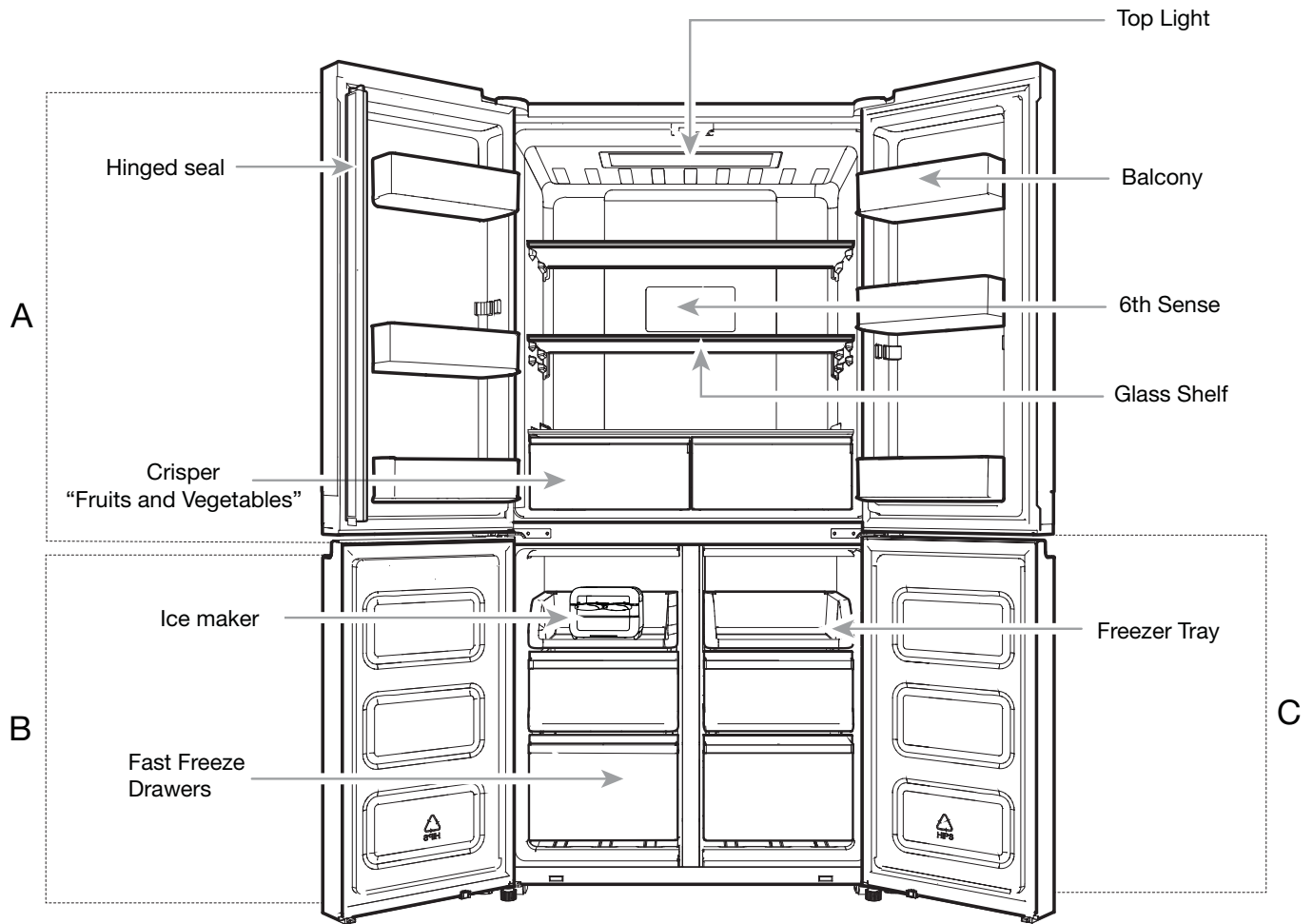
- Take off the doors.
- Leave the shelves in place so that children cannot easily climb inside.



#### **Important information to know about disposal of refrigerants:**

Dispose of refrigerator in accordance with Federal and Local regulations. Refrigerants must be evacuated by a licensed, refrigerant technician in accordance with established procedures.

# PARTS AND FEATURES



- A . Refrigerator
- B . Freezer
- C . Flexi Freeze (only with WQ9 B1L, 6WM591NIHAS and WQ70900SXX)



# INSTALLATION INSTRUCTIONS

## Getting Started INSTALLATION CHECKLIST

### ✓ Electrical Power

#### **⚠ WARNING**



#### **Electrical Shock Hazard**

- Plug into a grounded (earthed) outlet.**
- Do not remove ground prong.**
- Do not use an adapter.**
- Do not use an extension cord.**
- Failure to follow these instructions can result in death, fire, or electrical shock.**

- Plug refrigerator into a earthed socket.

### ✓ Doors

- If doors need to be removed during installation, see the “Remove and Replace Refrigerator Doors” and “Remove and Replace Freezer Door Fronts” sections.
- Doors seal completely.
- Refrigerator is level. Adjust leveling feet so they are snug against the floor.
- Doors are even across the top. (Use door alignment feature if necessary).

### ✓ Final Checks

- Remove all shipping material.
- Set temperature controls to the recommended setting.
- Save instructions and other literature.
- In order to receive a more complete assistance, please register your product on [www.whirlpool.eu/register](http://www.whirlpool.eu/register).

## Unpack the Refrigerator

#### **⚠ WARNING**

#### **Excessive Weight Hazard**

**Use two or more people to move and install refrigerator.**

**Failure to do so can result in back or other injury.**

### Refrigerator Delivery

A minimum door opening of 838 mm (33") is required. If door opening is 914 mm (36") or less, then removal of doors, drawer and hinges is required.

Cart the refrigerator from the side for all door openings.

#### **When Moving Your Refrigerator:**

Your refrigerator is heavy. When moving the refrigerator for cleaning or service, be sure to cover the floor with cardboard or hardboard to avoid floor damage. Always pull the refrigerator straight out when moving it. Do not wiggle or “walk” the refrigerator when trying to move it, as floor damage could occur.

### Remove the Packaging

- Remove tape and glue residues from surfaces before turning on the refrigerator. Rub a small amount of liquid dish detergent over the adhesive with your fingers. Wipe with warm water and dry.
- Do not use sharp instruments, rubbing alcohol, flammable fluids, or abrasive cleaners to remove tape or glue. These products can damage the surface of your refrigerator.
- Dispose of/recycle all packaging materials.

### Clean Before Using

After you remove all of the packaging materials, clean inside of your refrigerator before using it. See cleaning instructions in the “Refrigerator Care” section.

#### **Important information to know about glass shelves and covers:**

Do not clean glass shelves or covers with warm water when they are cold. Shelves and covers may break if exposed to sudden temperature changes or impact, such as bumping. Tempered glass is designed to shatter into many small, pebble-size pieces. This is normal. Glass shelves and covers are heavy. Use both hands when removing them to avoid dropping.

## Location Requirements

### **⚠ WARNING**



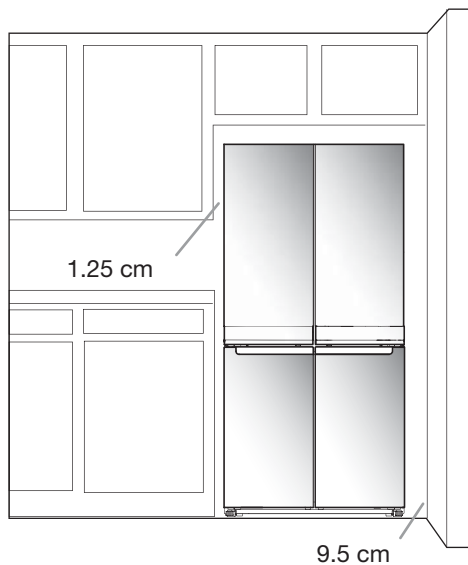
#### Explosion Hazard

Keep flammable materials and vapors, such as gasoline, away from refrigerator.

Failure to do so can result in death, explosion, or fire.

To ensure proper ventilation for your refrigerator, allow for a 1.25 cm space on each side and at the top. Allow for a 5 cm space behind the refrigerator. If your refrigerator has an ice maker, allow extra space at the back for the water line connections. When installing your refrigerator next to a fixed wall, leave a 9.5 cm minimum space between the refrigerator and wall to allow the door to swing open.

**NOTE:** This refrigerator is intended for use in a location where the temperature ranges from a minimum of 10°C to a maximum of 43°C. The preferred room temperature range for optimum performance, which reduces electricity usage and provides superior cooling, is between 15°C and 32°C. It is recommended that you do not install the refrigerator near a heat source, such as an oven or radiator.



## Electrical Requirements

### **⚠ WARNING**



#### Electrical Shock Hazard

Plug into a grounded (earthed) outlet.

Do not remove ground prong.

Do not use an adapter.

Do not use an extension cord.

Failure to follow these instructions can result in death, fire, or electrical shock.

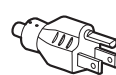
**IMPORTANT:** Installation and electrical connection must be carried out by a qualified technician according to the manufacturer's instructions and in compliance with the local safety regulations.

- The refrigerator is designed to operate on a separate 220-240 Volt, 10 A, 50/60 Hz circuit.
- Make sure the voltage specified on the rating plate corresponds to that of your home.
- It must be possible to disconnect the appliance from the power supply by unplugging it or by means of a main two pole switch installed upstream of the socket.
- If the supply cord is damaged, it must be replaced by the manufacturer, its service agent or similarly qualified persons in order to avoid a hazard.

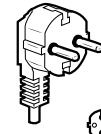
Before you move your refrigerator into its final location, it is important to make sure you have the proper electrical connection:

#### Recommended Earthing Method

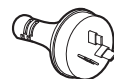
220-240 Volt 50 Hz, 220 Volt 60 Hz, or 230/240 Volt 50 Hz AC only 10 A fused and earthed electrical supply is required.



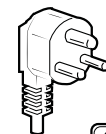
Type B



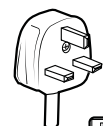
Type E and F



Type I



Type M



Type G

#### For Australia and New Zealand:

Your new appliance has been especially manufactured to meet all Australian Standards and Conditions.

Some notations in the installation instructions may refer to electrical requirements in other countries, so we draw your particular attention to these specific notes.

Your appliance needs to be plugged into a 230/240 Volt 50 Hz AC only 10 A earthed socket.

---

## Electrical Requirements (Great Britain and Ireland only)

---

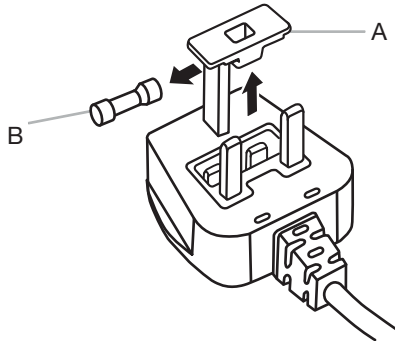
**IMPORTANT:** This refrigerator must be earthed.

### Fuse Replacement

If the main lead of this refrigerator is fitted with a BS1363A, 13 A fused plug, to replace a fuse in this type plug use an A.S.T.A. approved fuse to BS 1362 type and proceed as follows:

1. Remove the fuse cover (A) and fuse (B).
2. Fit replacement 13 A fuse into the fuse cover.
3. Reinsert both the fuse and its cover into the plug.

**IMPORTANT:** The fuse cover must be refitted when changing a fuse. If fuse cover is lost, the plug must not be used until a correct replacement cover is fitted. A correct replacement is identified by the colour insert or colour "word" embossed on the base of the plug. Replacement fuse covers are available at your local electrical shop.



A. Fuse cover  
B. Fuse

### For the Republic of Ireland (only):

The information given in respect of Great Britain will frequently apply, but a third type of plug and socket is also used, the 2-pin, side earth type.

### Socket/Plug (valid for both countries):

If the fitted plug is not suitable for your socket, please contact After-sales Service for further instruction. Please do not attempt to change the plug yourself. This procedure needs to be carried out by a qualified technician in compliance with the manufacturer's instructions and current standard safety regulations.

---

## Temperature

---

This refrigerator is designed for operation in places where the temperature comes within the following ranges, according to climatic class shown on the rating plate. The refrigerator may not work properly if it is left for a long time at a temperature outside the specified range.

**NOTE:** It is recommended that you do not install the refrigerator near a heat source, such as an oven or radiator.

Climatic Class	Amb. T. (°C)	Amb. T. (°F)
SN	From 10 to 32	From 50 to 90
N	From 16 to 32	From 61 to 90
ST	From 16 to 38	From 61 to 100
T	From 16 to 43	From 61 to 110

## Remove and Replace Refrigerator Doors

**NOTE:** Measure the width of your door opening to see whether or not you need to remove refrigerator doors to move refrigerator into your home. If door removal is necessary, see the following instructions.

**IMPORTANT:** If refrigerator was previously installed and you are moving it out of the home, turn refrigerator control off before you begin removing the doors. Unplug refrigerator or disconnect power. Remove food and adjustable door or utility bins from doors.

Gather required tools and read all instructions before removing doors.

**TOOLS NEEDED:** 6 mm socket wrench, 5 mm socket wrench and #2 Phillips screwdriver.



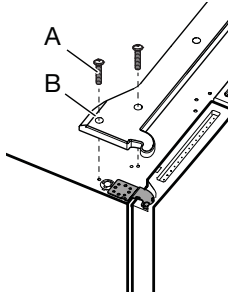
### ⚠ WARNING

#### Electrical Shock Hazard

Disconnect power before removing doors.

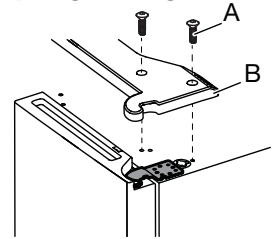
Failure to do so can result in death or electrical shock.

#### Top Left Hinge Cover



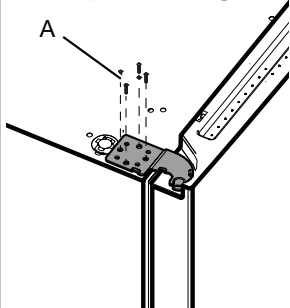
A. Top Hinge Cover screws  
B. Top Hinge Cover

#### Top Right Hinge Cover



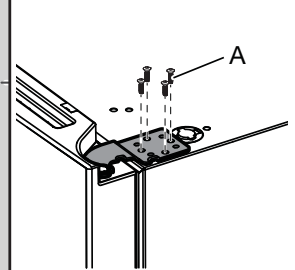
A. Top Hinge Cover screws  
B. Top Hinge Cover

#### Top Left Hinge



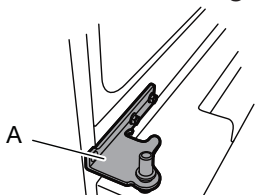
A. 5 mm socket screws

#### Top Right Hinge



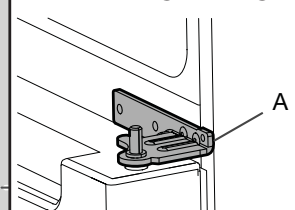
A. 5 mm socket screws

#### Middle Left Hinge

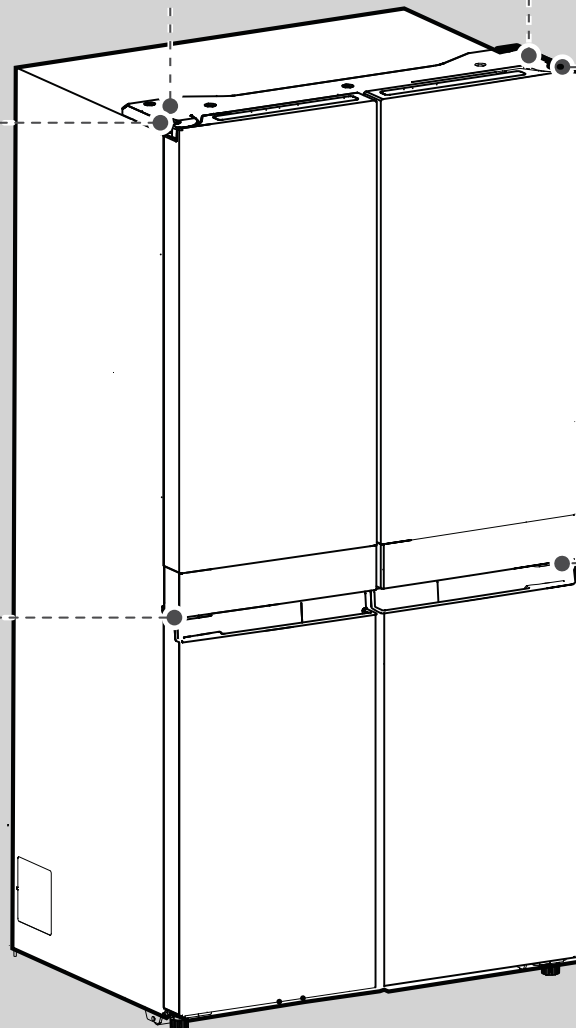


A. Hinge

#### Middle Right Hinge



A. Hinge



# ⚠ WARNING

## Excessive Weight Hazard

Use two or more people to lift the refrigerator door.  
Failure to do so can result in back or other injury.

### Remove Refrigerator Doors

# ⚠ WARNING



## Electrical Shock Hazard

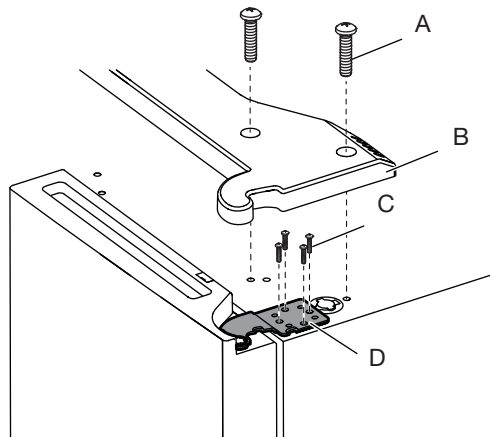
Disconnect power before removing doors.  
Failure to do so can result in death or electrical shock.

### Remove Right-Hand Door

1. Unplug refrigerator or disconnect power.
2. Keep refrigerator doors closed until you are ready to lift them free from the cabinet.

**NOTE:** Provide additional support for refrigerator door while the hinges are being removed. Do not depend on the door gasket magnets to hold the door in place while you are working.

3. Using a Phillips screwdriver, remove cover from top hinge.
4. Using 5 mm socket wrench, remove four screws from top hinge and set aside.



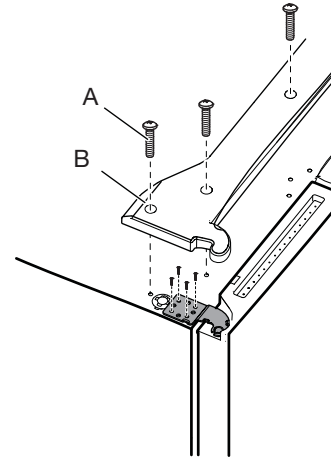
- A. Top hinge cover screw  
B. Top hinge cover  
C. 5 mm socket screws  
D. Top hinge

5. Lift refrigerator door from the middle hinge pin. The top hinge will come away with the door.

### Remove Left-Hand Door

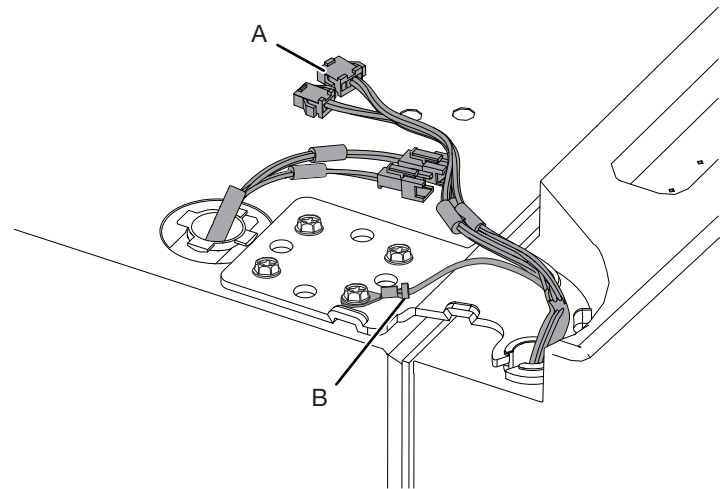
**IMPORTANT:** The wiring for UI run through left-hand door hinge, so they must be disconnected before removing the door.

1. Using a Phillips screwdriver, remove cover from top hinge.



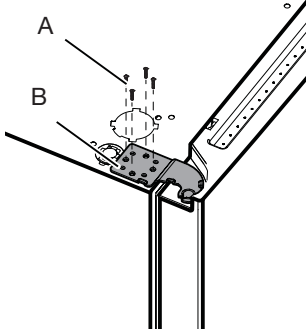
- A. Top hinge cover screw  
B. Top hinge cover

2. Disconnect two wiring plugs located on top of the door hinge.
  - Grasp each side of wiring plugs. With your left thumb, press down to release the catch and pull the sections of the plugs apart.



- A. Wiring Plug  
B. Ground (earth) connector

- Using 5 mm socket wrench, remove four internal screws from top hinge and set aside.



A. 5 mm socket screws  
B. Top Hinge

**NOTE:** Provide additional support for refrigerator door while hinges are being removed. Do not depend on the door gasket magnets to hold the door in place while you are working.

- Lift refrigerator door from bottom hinge pin. The top hinge will come away with door.

**NOTE:** It may not be necessary to remove bottom hinges and brake feet assemblies to move the refrigerator through a doorway.

- Only if necessary, use 6 mm socket wrench and #2 Phillips screwdriver to remove middle hinge.

#### Replace Right-Hand Refrigerator Door

- Set right-hand door onto middle hinge pin.
- Insert top hinge pin into open hole in top of refrigerator door.
- Using four 5 mm socket screws, fasten hinge to cabinet. Do not tighten screws completely.

#### Replace Left-Hand Refrigerator Door

- Set left-hand door onto middle hinge pin.
- Using four 5 mm socket screws, fasten hinge to cabinet. Do not tighten screws completely.
- Reconnect electrical wiring.
  - Push together two sections of wiring plug.
  - Reconnect earth wire to hinge screw.

#### Final Steps

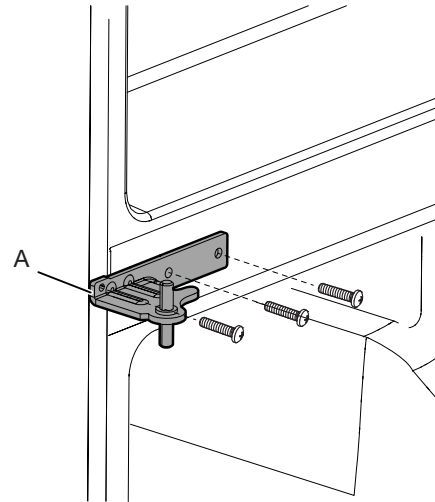
- Completely tighten eight 5 mm socket screws.
- Replace top hinge covers.

## Remove and Replace Freezer/Flexi Freeze Door

- Keep freezer doors closed until you are ready to lift them free from cabinet.

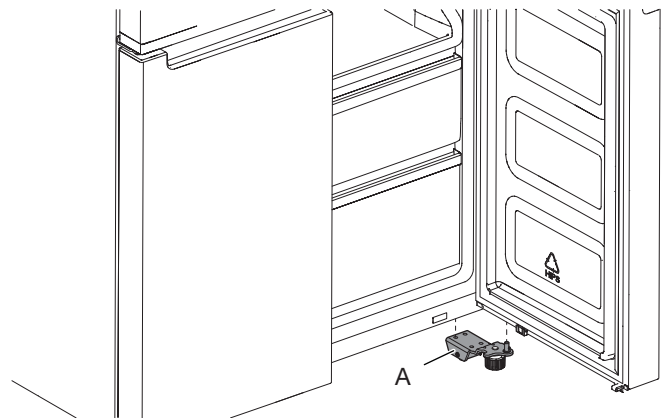
**NOTE:** Provide additional support for freezer door while hinges are being removed. Do not depend on door gasket magnets to hold door in place while you are working.

- Using a #2 Phillips screwdriver and 6 mm socket wrench to remove middle hinge from cabinet.



A. Middle hinge

- Lift freezer door from the bottom hinge pin.



A. Bottom hinge

## ⚠ WARNING



### Electrical Shock Hazard

Plug into a grounded (earthed) outlet.

Do not remove ground prong.

Do not use an adapter.

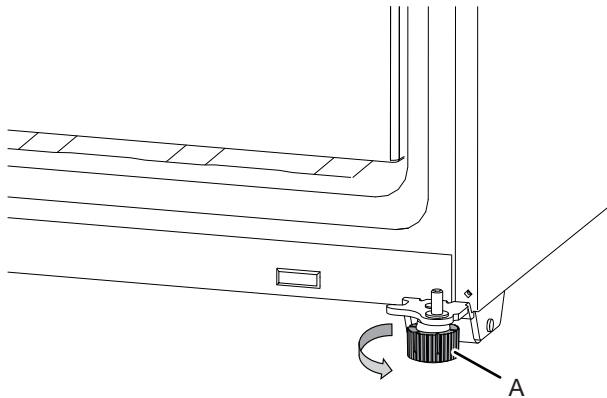
Do not use an extension cord.

Failure to follow these instructions can result in death, fire, or electrical shock.

1. Plug into an grounded (earthed) socket.
2. Return all removable parts and food to the drawers.

## Refrigerator Levelling

1. Move refrigerator to its final location.
2. Using hand, rotate the brake feet. Turn them counterclockwise until the rollers are off the floor and both brake feet are snug against the floor. This keeps refrigerator from rolling forward when opening the doors.



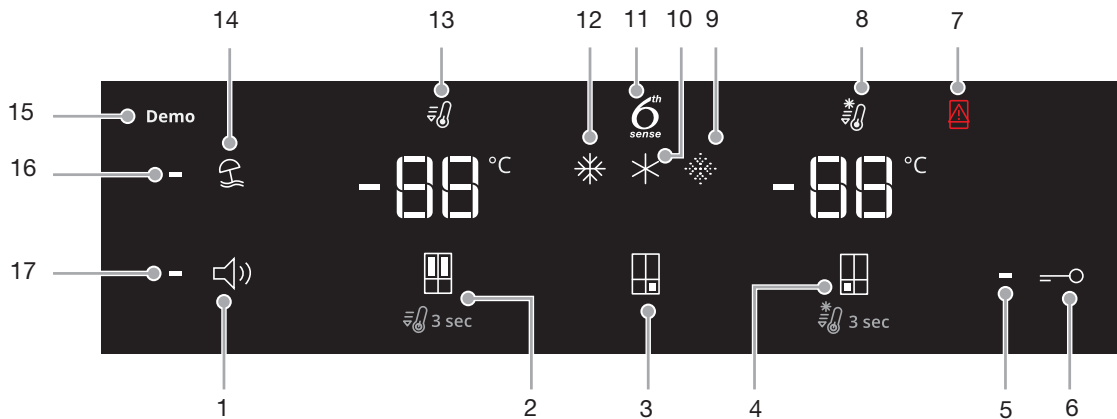
A. Brake feet

**IMPORTANT:** If you need to make further adjustments involving brake feet, you must turn both brake feet same amount to keep the refrigerator level.

3. Use a level to make sure refrigerator is level from side to side and front to back.

## Using the Controls

The touch-activated controls are located on the left hand refrigerator door. The control panel includes information about various buttons and indicators. Refrigerator and freezer temperature indicator shows last temperature set point.



1. Sound ON/OFF Button
2. Refrigerator Temperature Button (hold 3 sec for Fast Cool)
3. Flexi Freeze Preset Temperature Button (only with WQ9 B1L, 6WM591NIHAS and WQ70900SXX)
4. Freezer Temp Button (hold 3 sec for Fast Freeze)
5. Key Lock Indicator
6. Key Lock Button
7. Door Open Indicator
8. Fast Freeze Indicator
9. Soft Freeze Indicator (only with WQ9 B1L, 6WM591NIHAS and WQ70900SXX)
10. Mid Freeze Indicator (only with WQ9 B1L, 6WM591NIHAS and WQ70900SXX)
11. 6th Sense Indicator
12. Hard Freeze Indicator (only with WQ9 B1L, 6WM591NIHAS and WQ70900SXX)
13. Fast Cool Indicator
14. Holiday Mode Button
15. Demo Mode Indicator (only with WQ9 B1L, 6WM591NIHAS and WQ70900SXX)
16. Holiday Mode Indicator
17. Sound Indicator

The Control Panel will automatically turn off after one minute of inactivity. To turn on the control panel, press any key.

### - Viewing and Adjusting Temperature Set Points

#### Adjusting Refrigerator and Freezer Compartment Temperature:

For your convenience, your refrigerator and freezer controls are preset at the factory.

When you first install your refrigerator, make sure that the controls are still set to the recommended set points. The factory recommended set points are 3°C for the refrigerator and -18°C for the freezer.

Pressing Refrigerator or Freezer Temperature button will toggle through temperature set points in Celsius (°C).

#### IMPORTANT:

- Wait 24 hours before you put food into refrigerator. If you add food before refrigerator has cooled completely, your food may spoil.

**NOTE:** Adjusting the set points to a colder-than recommended setting will not cool compartments any faster.

- If the temperature is too warm or too cold in the refrigerator or freezer, first check the air vents to be sure they are not blocked before adjusting the controls.
- The recommended settings should be correct for normal household use. The controls are set correctly when milk or juice is as cold as you like and when ice cream is firm.

**NOTE:** Areas such as a garage, basement or porch may have higher humidity or extreme temperatures. You may need to adjust the temperature away from the recommended settings to accommodate for these conditions.

- Wait at least 24 hours between adjustments. Recheck the temperatures before other adjustments are made.

### 6<sup>th</sup> Sense Fresh Lock and Freeze Control

The 6<sup>th</sup> SENSE Fresh Lock sensor ensures precise and consistent temperature control to preserve fresh food for longer, in the most natural way. Once a temperature variation is detected, the sensor activates a compressor that quickly restores the original temperature.

The 6<sup>th</sup> SENSE Freeze sensor minimizes temperature fluctuations in freezer thanks to an innovative temperature management system. Freezer burns are reduced to preserving quality and color of food.

#### Flexi Freeze Setting (only with WQ9 B1L, 6WM591NIHAS and WQ70900SXX)

Flexi Freeze function allows you to toggle preset temperature for Flexi freeze compartment.

Symbol	Function	Temperature
	Traditional freezer	-18°C
	Mild freezer	-12°C
	Soft freezer	-7°C

\* To activate/deactivate Coolest setting (-20°C), press Flexi Freeze Preset Temperature Button for 3 seconds.

#### Adjusting Multi Temperature Setting

- Traditional freezer (-18°C): Food already frozen and fresh food (max 12 months)
- Mild freezer (-12°C): Food already frozen (max 1 month)
- Soft freezer (-7°C): Food already frozen (max 1 week)





When adjusting temperature set points, use the following chart as a guide:

CONDITION	TEMPERATURE ADJUSTMENT
Refrigerator too cold	Refrigerator setting 1° higher
Refrigerator too warm	Refrigerator setting 1° lower
Freezer too cold	Freezer setting 1° higher
Freezer too warm/ too little ice	Freezer setting 1° lower



### Fast Cool

The Fast Cool feature assists with periods of high refrigerator use, full grocery loads, or temporarily warm room temperatures.

- To turn on the Fast Cool feature, press and hold the Refrigerator Temperature button  for 3 seconds. When feature is activated, the Fast Cool icon will be illuminated. The Fast Cool feature will remain on for 2 hours unless manually turned off.
- To manually turn off the Fast Cool feature, press and hold the Refrigerator Temperature button  for 3 seconds. The Fast Cool icon will turn off when feature is not activated.
- Adjusting refrigerator temperature will automatically turn off the Fast Cool feature.

### Fast Freeze

The amount of fresh food (in kg) that can be frozen in 24 hours is indicated on the appliance rating plate.

- Press Freezer Temperature button  for 3 seconds (until the Fast Freeze Indicator lights up), 24 hours before placing fresh food in the freezer. After placing fresh food in the freezer, 24 hours on Fast Freeze function is generally sufficient; After 50 hrs the fast freeze function automatically deactivates.
- To manually turn off the Fast Freeze feature, press and hold the Freezer Temperature button  for 3 seconds. The Fast Freeze icon will turn off.
- Adjusting the freezer temperature will automatically turn off the Fast Freeze feature.

### Holiday Mode

This mode is designed to avoid your appliance from wasting energy during times when it's not in regular use (when you are in holiday for example).

By selecting this function the temperature of refrigerator compartment (RC) will automatically be set to the warmest set point.

- To use the Holiday mode, press mode button until Holiday mode indicator is lit on the display.
- To exit the Holiday mode, press the mode button until no mode icon is lit on the display.
- Adjusting the refrigerator temperature will automatically turn off the Holiday Mode feature.

**IMPORTANT: If this mode is selected then all food and drinks must be removed from refrigerator compartment.**

### Sound ON-OFF

Press button to activate/deactivate Sound Feedback.

### Key Lock

- Press and hold the Lock button for 3 seconds to activate lock feature.
- To deactivate lock, press and hold the Lock button for 3 seconds.

The lock feature will ignore all interaction with control panel until the user unlocks the control panel. This feature is meant to avoid unintentional changing of settings.

### Demo Mode (only with WQ9 B1L, 6WM591NIHAS and WQ70900SXX)


This mode is used when refrigerator is on display in a retail shop or if you want to turn the cooling off and deactivate all other functions (except interior lighting).

Demo mode can be used when going on extended holiday. See the "Holiday and Moving Care" section for proper steps on leaving your refrigerator in this mode for long periods of time.

- If you turn on Demo mode, the "Demo" icon will light up on the display.
- Enter or exit Demo mode by pressing and holding the Sound On or Off button and the Lock button simultaneously for 3 seconds.

### Additional features

#### Door Open Alarm

- The Door Open Alarm feature sounds an alarm and blinks the "Door Open" icon  when any of the four doors is open for 2 minutes or more.
- The alarm will repeat every 5 minutes. Close all doors to turn it off.

**NOTE:** To mute audible alarm while keeping the doors open, such as while cleaning inside of refrigerator, touch any button on control panel. The alarm sound will be temporarily turned off, but the Door Open icon will still be displayed on the control panel.

### Lighting the Refrigerator

The refrigerator has an interior light that comes on any time door is opened.

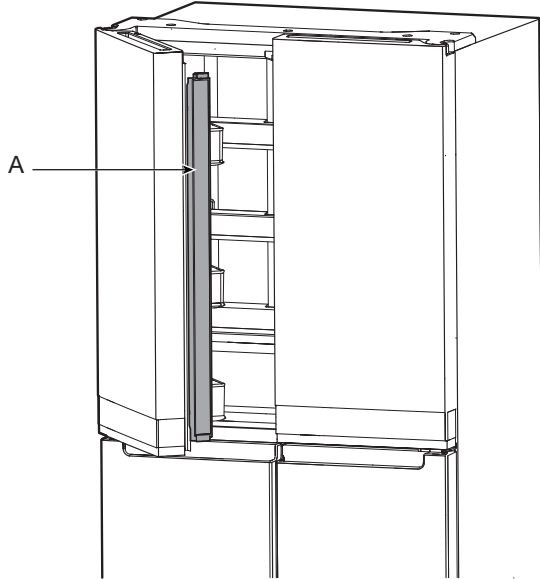
**NOTE:** The light is LED which does not need to be replaced. If the LED does not illuminate when the door is opened, call service to replace light.

# REFRIGERATOR USE

## Opening and Closing Doors

There are two refrigerator compartment doors. The doors can be opened and closed either separately or together. There is a vertically hinged seal on left refrigerator door.

- When left-side door is opened, hinged seal automatically folds inward so that it is out of the way.
- When both doors are closed, the hinged seal automatically forms a seal between two doors.

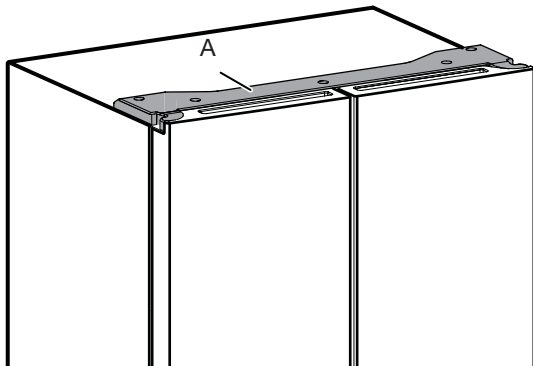


A. Hinged seal

The refrigerator compartment door switch is located in top left and right hinge cover.

- For Freezer and Multi Temperature Zone, door switch is located in the bottom mullion.
- The door switch uses magnet to sense door opening/closing.
- Ensure there are no magnet or electronic devices (Speaker, Coolvox® etc.) within 7.62 cm of the hinge cap.

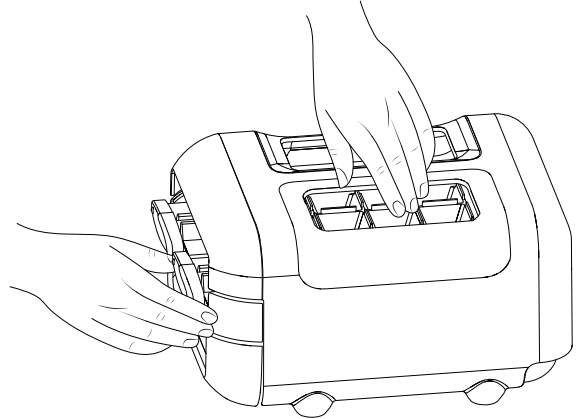
**NOTE:** The light will not turn on if door opening is not detected.



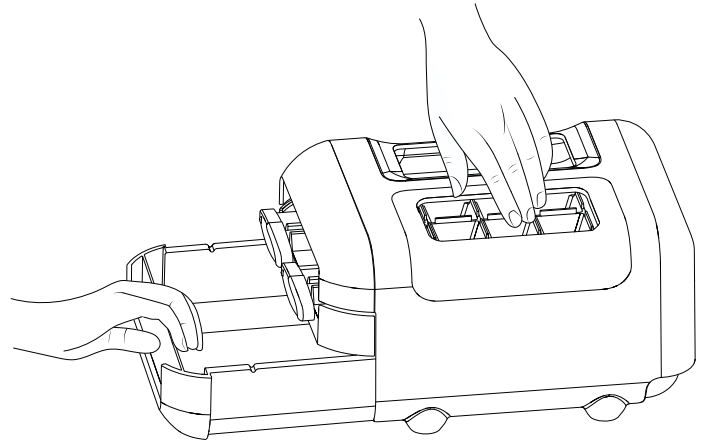
A. Hinge cover

## Ice Maker

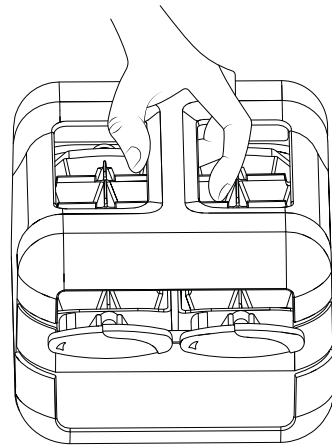
- To make ice, fill ice tray with purified water and place Manual Ice maker into Freezer top shelf. Allow time till ice gets formed and once ice is ready, turn the knobs in clockwise direction to eject ice cubes into the ice container.



- Lift ice container slightly and pullout ice container to get access to ice cubes.



Manual ice maker assembly can be taken out of the freezer when ice is not required to make more compartment in freezer.



## Food Storage

### Egg Storage

It is recommended to store eggs at a consistent temperature to keep its freshness, so best is to keep them in the fridge on the middle shelf.

# SHELVES, BINS AND DRAWERS

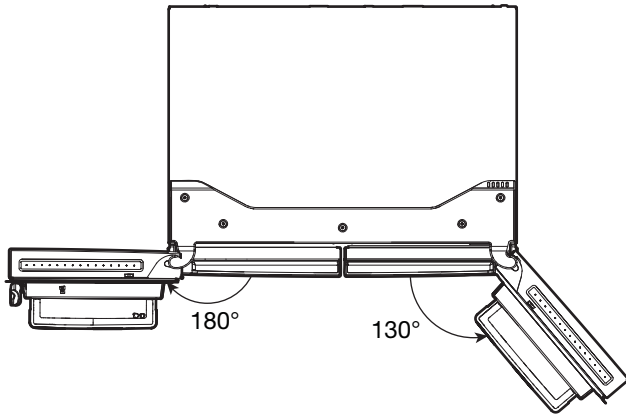
## Important information to know about glass shelves and covers:

Do not clean glass shelves or covers with warm water when they are cold. Shelves and covers may break if exposed to sudden temperature changes or impact, such as bumping. Tempered glass is designed to shatter into many small, pebble-size pieces. This is normal. Glass shelves and covers are heavy. Use both hands when removing them to avoid dropping.

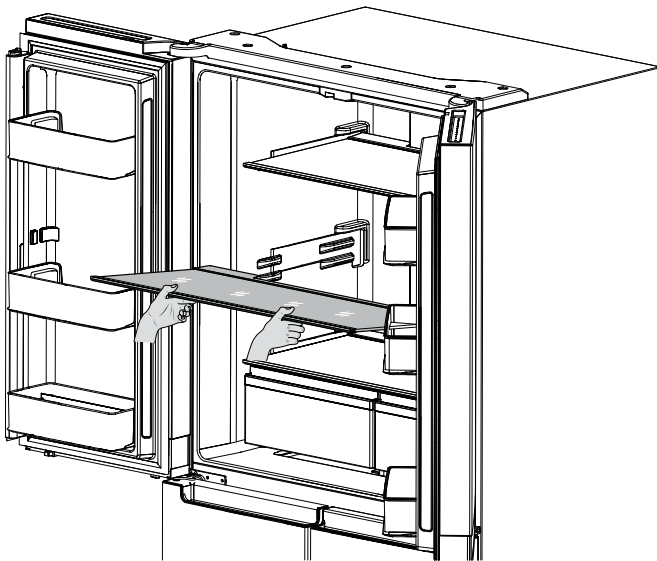
## Shelf Height Adjustment

Shelf height can be adjusted by changing its location from bottom support to upper support and vice versa.

- Open right side door to its full opening.
- Open left side door to its full opening and then lift the door to open 180°.



- Take shelf out of refrigerator and place it to desired mounting position.



- Ensure shelf is properly seated on the shelf mounts.

## Shelves and Shelf Frames

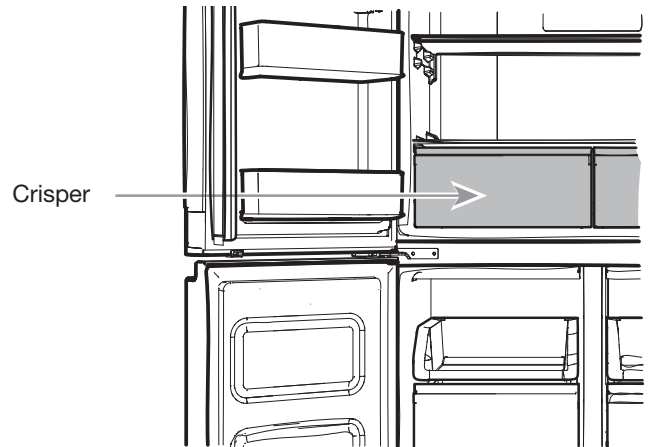
The shelves in your refrigerator are adjustable to meet your individual storage needs.

Storing similar food items together in your refrigerator and adjusting the shelves to fit different heights of items will make finding the exact item you want easier. It will also reduce the amount of time the refrigerator door is open and save energy.

### To remove and replace shelves:

1. Open right side door to its full opening and left side door to its full opening and lift left door to open 180°.
2. Remove middle shelf or top shelf by lifting it up and out of shelf supports. Then pull the shelf forward and tilt down to a vertical position. Turn shelf at an angle and pull out of the refrigerator.
3. Remove the bottom shelf by lifting it up and out of the shelf supports. Then pull the shelf forward and tilt up to a vertical position. Turn the shelf at an angle and pull out of refrigerator.
4. Replace middle and top shelves by putting shelf in the refrigerator at an angle with shelf front down. Lift front of the shelf up and slide in until the rear of shelf drops into shelf supports. Lower the front of shelf and make sure that the shelf is in position.
5. Replace bottom shelf by putting shelf in refrigerator at an angle with shelf up. Lift front of shelf down and slide in until rear shelf drops into the shelf supports. Lower front of the shelf and make sure that shelf is in position.

## Crispers

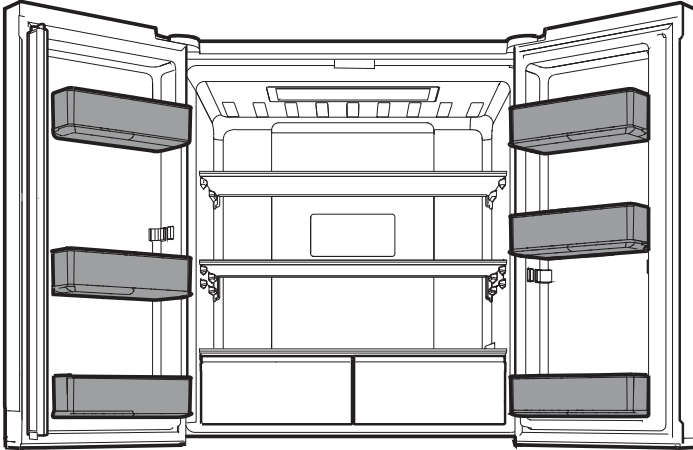


### To remove and replace the Crispers:

1. Grasp handle of the Crisper and slide Crisper straight out to the stop. Lift the Crisper off the bottom guide.
2. Replace/putting back the Crisper by placing it on bottom Crisper guide and pushing it past the Crisper stop into position.

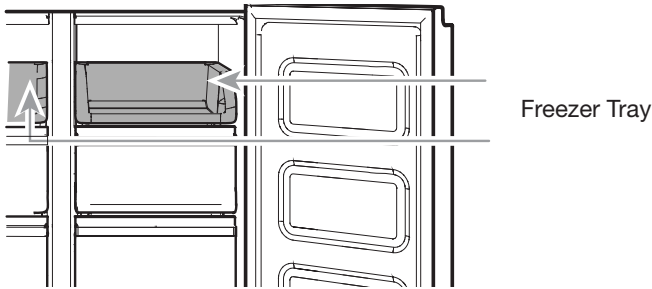
## Refrigerator Balconies

The balcony on your refrigerator door are adjustable to meet your individual storage needs.



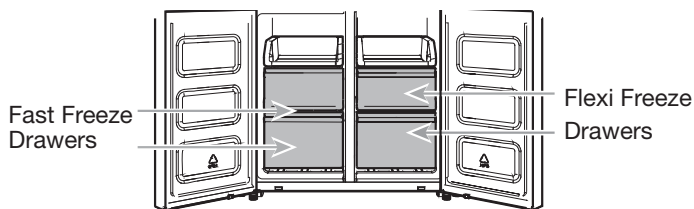
## Freezer Storage Compartments

### Freezer Tray



Freezer tray is useful to easily access frequently used products, freeze or simply store leftovers or small items.

### Freezer Drawers



### Fast Freeze compartment

- Fast Freezer drawers allows you to conveniently store big volume items.
- Fast Freeze option allows you to store all your frozen food safely and transparently.

### Flexi Freeze Compartment (only with WQ9 B1L, 6WM591NIHAS and WQ70900SXX)

Flexi Freeze Compartment allows you to select one of three freezer temperature levels:  $-7^{\circ}\text{C}$ ,  $-12^{\circ}\text{C}$  and  $-18^{\circ}\text{C}$  to provide the best storing conditions for different types of food.

For maximum freezer capacity, you may remove the freezer drawer to expose the freezer shelf.

### To remove the upper drawer:

1. Grasp handle of the drawer and slide drawer straight out to the stop. Lift drawer off the bottom guide.
2. Replace/putting back drawer by placing it on bottom drawer guide and pushing it past drawer stop into position.

### Freezer Shelf (only with WQ9 E1L and WQ9 B1L)

To maximize freezer capacity, you may remove mid drawer to expose freezer shelf beneath. You can then store upper drawer and load food directly on top of the shelf.

## Audio Reference

### Tone Assignment

Tone Name	Usage Examples
Power On	Cooling system is turned on every time the product is powered on.
Key Press	User presses a valid button.
Invalid (Error)	User presses two or more valid buttons at the same time. Count-down interruption for press-and-hold buttons.
Engage	Acknowledgement of entry into any mode.
Disengage	Acknowledgement of exit from any mode.
Alert	Door Ajar alert.

This table is for quick reference only. See corresponding sections for details. In case of inconsistency, section details will prevail.

## Accessories

To order accessories, contact the dealer from whom you purchased your refrigerator.

## Assistance or Service

Before calling for assistance or service, please check the "Troubleshooting" section. It may save you the cost of a service call. If you still need help, follow the instructions below.

### If you need replacement parts

To locate factory-specified replacement parts in your area, contact the dealer from whom you purchased your refrigerator.

### Warranty

Contact the dealer from whom you purchased refrigerator for warranty information.

**Keep this book and your sales slip together for future reference. You must provide proof of purchase or installation date for in-warranty service.**

Write down the following information about your appliance to help you obtain assistance or service if you ever need it. You will need to know your complete model number and serial number. You can find this information on the model and serial number label, located on the inside wall of the refrigerator compartment.

Dealer name \_\_\_\_\_

Serial number \_\_\_\_\_

Address \_\_\_\_\_

Phone number \_\_\_\_\_

Model number \_\_\_\_\_

Purchase date \_\_\_\_\_

# REFRIGERATOR CARE

## Cleaning

 <b>WARNING</b>

<b>Explosion Hazard</b> <b>Use nonflammable cleaner.</b> <b>Failure to do so can result in death, explosion, or fire.</b>

All of the Refrigerator, Freezer and Flexi freeze sections (only with WQ9 B1L, 6WM591NIHAS and WQ70900SXX ) defrost automatically. However, clean all the sections about once a month to avoid build-up of odours. Wipe up spills immediately.

### Exterior Cleaning

Please see the exterior cleaning information specific to your model.

#### Style 1 – Smooth Door

**IMPORTANT:** Damage to smooth finish due to improper use of cleaning products or using non-recommended cleaning products is not covered under the warranty. Sharp or blunt instruments will mar the finish.

DO USE	DO NOT USE
✓ Soft, clean cloth	<ul style="list-style-type: none"> <li>✗ Abrasive cloths</li> <li>✗ Paper towels or newsprint</li> <li>✗ Steel-wool pads</li> </ul>
✓ Warm, soapy water with a mild detergent	<ul style="list-style-type: none"> <li>✗ Abrasive powders or liquids</li> <li>✗ Window sprays</li> <li>✗ Ammonia</li> <li>✗ Acidic or vinegar-based Cleaners</li> <li>✗ Oven cleaners</li> <li>✗ Flammable fluids</li> </ul>

**NOTE:** Paper towels scratch and may dull clear coat of painted door. To avoid possible damage, use only soft, clean clothes to polish and wipe the doors.

#### Style 2 – Stainless Steel

##### IMPORTANT:

- Use recommended stainless steel cleaners and cloths only. Damage to stainless steel finish due to improper use of cleaning products or using non-recommended cleaning products is not covered under the warranty.
- Avoid exposing stainless steel appliances to caustic or corrosive elements such as high-salt, high-moisture, or high-humidity environments. Damage due to exposure to these elements is not covered under the warranty.

DO USE	DO NOT USE
✓ Soft, clean cloth	<ul style="list-style-type: none"> <li>✗ Abrasive cloths</li> <li>✗ Paper towels or newsprint</li> <li>✗ Steel-wool pads</li> </ul>
✓ Warm, soapy water with a mild detergent	<ul style="list-style-type: none"> <li>✗ Abrasive powders or liquids</li> <li>✗ Ammonia</li> <li>✗ Citrus-based cleaners</li> <li>✗ Acidic or vinegar-based cleaners</li> <li>✗ Oven cleaners</li> </ul>
✓ For heavy soil, use only a stainless steel cleaner designed for appliances. To order the cleaner, contact the dealer from whom you purchased your refrigerator.	✗ Stainless steel cleaner is for stainless steel parts only. Do not allow the stainless steel cleaner and polish to come into contact with any plastic parts such as the trim pieces, dispenser covers, or door gaskets.

#### Style 3 – Fingerprint-Resistant Stainless

##### IMPORTANT:

- Avoid exposing stainless steel appliances to caustic or corrosive elements such as high-salt, high-moisture, or high-humidity environments. Damage due to exposure to these elements is not covered under the warranty.

DO USE	DO NOT USE
✓ Soft, clean cloth	<ul style="list-style-type: none"> <li>✗ Abrasive cloths</li> <li>✗ Paper towels or newsprint</li> <li>✗ Steel-wool pads</li> </ul>
✓ Warm, soapy water with a mild detergent	<ul style="list-style-type: none"> <li>✗ Abrasive powders or liquids</li> <li>✗ Window sprays</li> <li>✗ Ammonia</li> <li>✗ Acidic or vinegar-based cleaners</li> <li>✗ Oven cleaners</li> <li>✗ Flammable fluids</li> </ul>

##### NOTES:

- If unintentional contact does occur, clean plastic part with a sponge and mild detergent in warm water. Dry thoroughly with a soft cloth.
- Just because a cleaner is a liquid does not mean it is non-abrasive. Many liquid cleansers formulated to be gentle on tile and smooth surfaces still damage stainless steel.
- Citric acid permanently discolours stainless steel.
- To avoid damaging the finish of your stainless steel refrigerator:

##### Do not allow these substances to remain on the finish:

- |                  |                         |
|------------------|-------------------------|
| ✗ Mustard        | ✗ Citrus-based sauces   |
| ✗ Tomato juice   | ✗ Citrus-based products |
| ✗ Marinara sauce |                         |

---

## Interior Cleaning

---

1. Unplug refrigerator or disconnect power.
2. Hand wash, rinse, and dry removable parts and interior surfaces thoroughly. Use a clean sponge or soft cloth and a mild detergent in warm water.  
**NOTE:** Do not use abrasive or harsh cleaners such as window sprays, scouring cleansers, flammable fluids, cleaning waxes, concentrated detergents, bleaches, or cleansers containing petroleum products on plastic parts, interior and door liners, or gaskets.
3. Plug in refrigerator or reconnect power.

---

## Condenser Cleaning

---

This refrigerator has skin condenser on both sides of refrigerator. It is normal to feel warm on the sides.

---

## Lights

The lights in both the refrigerator and freezer compartments are LEDs which do not need to be replaced. If the lights do not illuminate when the door is opened, contact the dealer from whom you purchased your refrigerator.

---

## Holiday and Moving Care

---

### Holidays

---

#### If You Choose to Leave the Refrigerator On While You're Away:

1. Use up any perishables and freeze other items.
2. If your refrigerator has an automatic ice maker and is connected to the household water supply, turn off the water supply to the refrigerator. Property damage can occur if the water supply is not turned off.
3. If you have an automatic ice maker, turn off the ice maker.
  - Press the switch to Off (O) for the door ice maker.
4. Empty the ice bin.

#### If You Choose to Turn Off the Refrigerator Before You Leave:

**NOTE:** Put refrigerator in Demo Mode while on Holiday. See the "Using the Controls" section.

1. Remove all food from the refrigerator.
2. If your refrigerator has an automatic ice maker:
  - Turn off water supply to the ice maker at least 1 day ahead of time.
  - When last load of ice drops, press the switch to Off (O) for display to be unlit on the top inside of the refrigerator, depending on your model.
3. Empty ice bin.
4. Turn off temperature controls. See the "Using the Controls" section.
5. Clean refrigerator, wipe it and dry well.
6. Tape rubber or wood blocks to the tops of both doors to prop them open far enough for air to get in. This stops odours and mould from building up.

---

## Moving

---

When you are moving your refrigerator to a new home, follow these steps to prepare it for the move.


1. If your refrigerator has an automatic ice maker:
  - Turn off water supply to the ice maker at least 1 day ahead of time.
  - Disconnect water line from the back of the refrigerator.
  - When last load of ice drops, press the switch to Off (O) either on the ice maker or the control, depending on your model.
2. Remove all food from refrigerator and pack all frozen food in dry ice.
3. Empty ice bin.
4. Unplug refrigerator.
5. Clean, wipe and dry thoroughly.
6. Take out all removable parts, wrap them well and tape them together so they don't shift and rattle during the move.
7. Depending on the model, raise the front of the refrigerator so it rolls more easily or raise the levelling screws so they do not scrape the floor. See the "Adjust the Doors" or "Refrigerator Levelling and Door Closing" sections.
8. Tape doors closed and tape the power cable to the back of the refrigerator.

When you get to your new home, put everything back and refer to the "Installation Instructions" section for preparation instructions. Also, if your refrigerator has an automatic ice maker, remember to reconnect the water supply to the refrigerator.

# TROUBLESHOOTING

First try the solutions suggested here to possibly avoid a service call.

**⚠ WARNING**



**Electrical Shock Hazard**

**Plug into a grounded (earthed) outlet.**

**Do not remove ground prong.**

**Do not use an adapter.**

**Do not use an extension cord.**

**Failure to follow these instructions can result in death, fire, or electrical shock.**

If you experience	Possible Causes	Solution
<b>Refrigerator Operation</b>		
The refrigerator will not operate.	Check electrical supply.	Plug the power cable into an earthed socket.
		Do not use an extension cable.
		Make sure there is power to the socket. Plug in a lamp to see if the socket is working.
		Reset a tripped circuit breaker. Replace any blown fuses. <b>NOTE:</b> If problems continue, contact an electrician.
	Check controls.	Make sure the controls are turned on. See the “Using the Controls” section.
New installation.		Allow 24 hours following installation for refrigerator to cool completely. <b>NOTE:</b> Adjusting the temperature controls to the coldest setting will not cool either compartment more quickly.
	Refrigerator control is in Demo mode (on some models).	If refrigerator is in Demo mode, cooling is turned off and “Demo” will be illuminated on the control panel. See the “Using the Controls” section for more information.
The motor seems to run too much.	High-efficiency compressor and fans.	Larger, more efficient refrigerators run longer at lower, more energy efficient speeds.
	The room or outdoor temperature is hot.	It is normal for refrigerator to work longer under these conditions. For optimum performance, place refrigerator in an indoor, temperature-controlled environment. See the “Location Requirements” section.
	A large amount of warm food has been recently added.	Warm food will cause refrigerator to run longer until the air cools to the desired temperature.
	The door(s) are opened too frequently or for too long.	Warm air entering refrigerator causes it to run more. Open the door less often.
	The refrigerator door or freezer drawer is open.	Make sure refrigerator is level. See the “Refrigerator Levelling and Door Closing” section. Keep food and containers from blocking the door.
	The refrigerator control is set too cold.	Adjust refrigerator control to a less-cold setting until the refrigerator temperature is as desired.
	The door or drawer gasket is dirty, worn, or cracked.	Clean or change the gasket. Leaks in the door seal will cause refrigerator to run longer in order to maintain desired temperatures.

# TROUBLESHOOTING

First try the solutions suggested here to possibly avoid a service call.

If you experience	Possible Causes	Solution
The lights do not work.	Your refrigerator is equipped with LED lighting which does not need to be replaced.	If there is power to the refrigerator and the lights do not illuminate when a door or drawer is opened, call for service or assistance.
	Doors have been open longer than 10 minutes.	Close the doors and drawer to reset and open to resume lighted task.
	The door switch is not sensing the door opening.	Ensure there are no magnets or electronic devices within 7.6 cm (3") of the hinge cover.
The Temperature Control UI does not turn on.	The Temperature Control UI went to sleep.	Press any button on the UI to wake up the The Temperature Control UI.
	The Temperature Control UI buttons are not working well.	Try cycling power on the refrigerator to make the buttons reset. If problem continuous, call for service or assistance.
	The Temperature Control UI is not receiving power.	Check the wiring harness at the door hinge.
Unable to adjust setting on The Temperature Control UI.	Door is open and Door ajar alarm is activated.	Close the door.
<b>Unusual Noise</b>		
To listen to normal refrigerator sounds, go to the Product Help/FAQ section of the brand website and search for "normal sounds." Below are listed some normal sounds with explanations.		
The refrigerator seems noisy.	The compressor in your new refrigerator regulates temperature more efficiently while using less energy and operates quietly.	Due to this reduction in operating noise, you may notice unfamiliar noises that are normal.
Sound of the compressor running longer than expected.	High-efficiency compressor and fans.	Larger, more-efficient refrigerators run longer at lower, more energy efficient speeds.
Pulsating/Whirring	Fans/compressor adjusting to optimize performance during normal compressor operation.	This is normal.
Popping	Contraction/expansion of inside walls, especially during initial cool down.	This is normal.
Hissing/Dripping	Flow of refrigerant or flow of oil in the compressor.	This is normal.
Vibration	The refrigerator may not be steady.	Adjust the levelling screws and lower the levelling foot firmly against the floor. See the "Refrigerator Levelling and Door Closing" section.
Rattling/Banging	Movement of the water lines against the refrigerator cabinet or of items placed on top of the refrigerator cabinet.	Move excess water line away from refrigerator cabinet or fasten excess tubing to the cabinet. See the "Connect the Water Supply" section or remove items from the top of refrigerator.
Sizzling	Water dripping on the heater during Defrost cycle.	This is normal.
Water running/Gurgling	May be heard when ice melts during the Defrost cycle and water runs into the drain pan.	This is normal.



# TROUBLESHOOTING

First try the solutions suggested here to possibly avoid a service call.

If you experience	Possible Causes	Solution
<b>Temperature and Moisture</b>		
Temperature is too warm.	The refrigerator has just been installed.	Allow 24 hours following installation for refrigerator to cool completely.
	The controls are not set correctly for the surrounding conditions.	Adjust the controls a setting colder. Check the temperature in 24 hours. See the "Using the Controls" section.
	The door(s) are opened often or not closed completely. Allows warm air to enter refrigerator.	Minimize door openings and keep doors fully closed.
	A large load of food was recently added.	Allow several hours for refrigerator to return to normal temperature.
	Demo mode is on.	Turn off the Demo mode. See the "Using the Control" section.
	Holiday mode is on.	Turn off the Holiday mode. See the "Using the Control" section.
Temperature is too cold in the refrigerator/crisper.	The refrigerator air vent(s) are blocked.	If the air vent located in the middle rear of the refrigerator compartment is blocked by items placed directly in front of it, the refrigerator will get too cold. Move items away from the air vent.
	The controls are not set correctly for the surrounding conditions.	Adjust the controls a setting warmer. Check the temperature in 24 hours. See the "Using the Controls" section.
	The ice storage bin is not in the correct position.	See the "Ice Maker and Ice Storage Bin" section.
Temperature is too cold in the temperature controlled drawer.	The control is not set correctly for the items stored in drawer.	Adjust the temperature setting. See the "Using the Controls" in the "Refrigerator Use" section.
There is interior moisture build-up. <b>NOTE:</b> Some moisture build-up is normal.	The room is humid.	A humid environment contributes to moisture build-up.
	The door(s) are opened often or not closed completely. Allows humid air to enter the refrigerator.	Minimize door openings and close doors completely.
	The door(s) are blocked open.	Move food packages away from door.
	A bin or shelf is in the way.	Push bin or shelf back into the correct position.
	Storing liquid in open containers.	This adds humidity to refrigerator interior. Keep all containers tightly covered.
There is frost/ice build-up in the freezer compartment.	The door is opened often or left open.	Minimize door openings and close drawer completely after use.
	The door has poor door seal.	Ensure door seals are making full contact with the refrigerator cabinet to allow for an adequate seal.
	Temperature controls are not set correctly.	See the "Using the Controls" section for recommended temperature settings.

# TROUBLESHOOTING

First try the solutions suggested here to possibly avoid a service call.

<b>⚠ WARNING</b>

<p><b>Explosion Hazard</b></p> <p><b>Use nonflammable cleaner.</b></p> <p><b>Failure to do so can result in death, explosion, or fire.</b></p>

To view an animation showing how to adjust and align the doors, refer to the Product Help/FAQ section of the brand website and search for “Door Closing and Door Alignment.”

If you experience	Possible Causes	Solution
<b>Doors</b>		
The doors will not close completely.	The door is blocked open.	Move food packages away from door.
	A bin or shelf is in the way.	Push bin or shelf back into the correct position.
	Recently installed	Remove all packaging materials.
The doors are difficult to open.	The door gaskets are dirty or sticky.	Clean gaskets and contact surfaces with mild soap and warm water. Rinse and dry with soft cloth.
The doors appear to be uneven.	The doors need to be aligned or the refrigerator needs to be levelled.	If you need to align door please call for service.
The refrigerator is unsteady or it rolls forward when opening and closing doors.	The refrigerator brake feet are not snug against the floor.	Turn both brake feet (one on each side) counterclockwise, the same amount, until they are snug against the floor. See the “Refrigerator Levelling and Door Closing” section.

# Sommario

<b>SICUREZZA DEL FRIGORIFERO</b> .....	<b>28</b>
Smaltimento corretto del vecchio frigorifero .....	31
<b>COMPONENTI E FUNZIONI</b> .....	<b>32</b>
<b>ISTRUZIONI DI INSTALLAZIONE</b> .....	<b>33</b>
Per iniziare.....	33
Disimballare il frigorifero .....	33
Requisiti per il posizionamento.....	34
Requisiti elettrici.....	34
Rimuovere e sostituire le porte del frigorifero .....	36
Rimuovere e sostituire la porta del congelatore/ congelamento flessibile .....	38
Messa in piano del frigorifero .....	39
Uso dei comandi.....	40
Luce del frigorifero .....	41
<b>USO DEL FRIGORIFERO</b> .....	<b>42</b>
Apertura e chiusura delle porte .....	42
Conservazione degli alimenti.....	42
<b>RIPIANI, BALCONCINI E CASSETTI</b> .....	<b>43</b>
Comparti del congelatore .....	44
Spiegazione dei segnali sonori .....	44
Accessori.....	44
Servizio di assistenza.....	44
<b>MANUTENZIONE DEL FRIGORIFERO</b> .....	<b>45</b>
Pulizia .....	45
Luci.....	46
Inutilizzo e trasporto.....	46
<b>RISOLUZIONE DEI PROBLEMI</b> .....	<b>47</b>

# SICUREZZA DEL FRIGORIFERO

## La vostra sicurezza e quella degli altri sono della massima importanza.

Il presente manuale e l'apparecchio contengono numerosi messaggi per la sicurezza. Leggere e rispettare sempre tutti i messaggi per la sicurezza.



Questo è il simbolo di avviso di sicurezza.

Il simbolo informa di potenziali rischi che possono causare il decesso o ferite all'utente e ad altre persone.

Tutti i messaggi per la sicurezza sono preceduti dal simbolo di avviso di sicurezza e dalla parola "PERICOLO" o "AVVERTENZA".

Queste parole significano:

 **PERICOLO**

Se non si seguono immediatamente le istruzioni si rischia la morte o lesioni gravi.

 **AVVERTENZA**

Se non si seguono le istruzioni si rischia la morte o lesioni gravi.

Tutti i messaggi per la sicurezza segnalano quali sono i rischi potenziali, indicano come ridurre possibili lesioni e spiegano cosa può succedere se non si seguono le istruzioni.

## ISTRUZIONI DI SICUREZZA

Prima di utilizzare l'apparecchio leggere le presenti istruzioni di sicurezza. Tenerle sempre a portata di mano per consultazioni future. Queste istruzioni e l'apparecchio stesso forniscono importanti avvertenze di sicurezza, da osservare in ogni momento. Il produttore declina ogni responsabilità per il mancato rispetto di queste avvertenze di sicurezza, per un uso improprio dell'apparecchio o per una errata regolazione dei comandi.

⚠ I bambini molto piccoli (0-3 anni) devono essere tenuti lontano dall'apparecchio. I bambini piccoli (3-8 anni) devono essere tenuti lontano dall'apparecchio, a meno che non siano costantemente sorvegliati. I bambini dagli 8 anni in su e le persone con capacità fisiche, sensoriali o mentali ridotte o con scarsa esperienza e conoscenza possono utilizzare questo apparecchio solo se sono sorvegliati o se hanno ricevuto istruzioni per un uso sicuro e ne comprendono i pericoli. I bambini non devono giocare con l'apparecchio. La pulizia e la manutenzione non devono essere effettuate da bambini, a meno che non siano sorvegliati da adulti..

### USO CONSENTITO

⚠ ATTENZIONE: L'apparecchio non è destinato ad essere messo in funzione tramite un dispositivo di commutazione esterno, come un timer, o un sistema di comando a distanza separato.

⚠ Questo apparecchio è destinato ad essere utilizzato in applicazioni domestiche e similari quali: cucine per il personale di negozi, uffici e altri ambienti di lavoro; agriturismi; da clienti in hotel, motel, bed & breakfast e altri ambienti residenziali.

⚠ Questo apparecchio non è per uso professionale. Non usare l'apparecchio all'aperto.

⚠ L'apparecchio è progettato per funzionare in luoghi in cui la temperatura ambiente è compresa negli intervalli seguenti, secondo la classe climatica indicata sulla targhetta dati. L'apparecchio potrebbe non funzionare correttamente se lasciato a lungo a una temperatura che non rientra nei valori dell'intervallo specificato.

Classe climatica Temp. amb. (°C)

SN: da 10 a 32 °C; N: da 16 a 32 °C

ST: da 16 a 38 °C; T: da 16 a 43 °C

⚠ Questo apparecchio è privo di CFC. Il circuito refrigerante contiene R600a (HC). Apparecchi con Isobutano (R600a): l'isobutano è un gas naturale senza effetti sull'ambiente, ma è infiammabile. Accertarsi pertanto che i tubi del circuito refrigerante non siano danneggiati, soprattutto durante lo svuotamento del circuito refrigerante.

⚠ AVVERTENZA: Non danneggiare i tubi del circuito refrigerante dell'apparecchio.

⚠ AVVERTENZA: Mantenere libere da ostruzioni le aperture di ventilazione dell'apparecchio o della struttura a incasso.

## IMPORTANTE DA LEGGERE E RISPETTARE

⚠ AVVERTENZA: Non utilizzare mezzi meccanici, elettrici o chimici diversi da quelli raccomandati dal fabbricante per accelerare il processo di sbrinamento.

⚠ AVVERTENZA: Non utilizzare o collocare dispositivi elettrici all'interno dei compartimenti dell'apparecchio se non sono del tipo espressamente autorizzato dal fabbricante.

⚠ AVVERTENZA: Le macchine per il ghiaccio e/o i distributori di acqua non collegati direttamente alla rete idrica devono essere riempiti solo con acqua potabile.

⚠ AVVERTENZA: Le macchine del ghiaccio e/o i distributori di acqua automatici devono essere collegati a una rete idrica che eroghi esclusivamente acqua potabile, con una pressione della rete idrica compresa tra 0,17 e 0,81 MPa (1,7 e 8,1 bar).

⚠ Non conservare all'interno dell'apparecchio sostanze esplosive quali bombolette spray con propellente infiammabile.

⚠ Non ingerire il liquido (atossico) contenuto negli accumulatori di freddo (in dotazione con alcuni modelli). Non mangiare cubetti di ghiaccio o ghiaccioli appena tolti dal congelatore per evitare il rischio di ustioni da freddo.

⚠ Per prodotti che prevedono l'utilizzo di un filtro dell'aria all'interno di un coprimentolo accessibile, il filtro deve essere sempre in posizione quando il frigorifero è in funzione.

⚠ Non conservare i contenitori in vetro con liquidi nel comparto congelatore perché potrebbero rompersi. Non ostruire la ventola (se presente) con alimenti. Dopo aver posizionato il cibo controllare che la porta dei compartimenti si chiuda correttamente, specialmente la porta del congelatore.

⚠ Le guarnizioni danneggiate devono essere sostituite il prima possibile.

⚠ Utilizzare il comparto frigorifero solo per conservare gli alimenti freschi e il comparto congelatore solo per conservare gli alimenti surgelati, congelare gli alimenti freschi e preparare cubetti di ghiaccio.

⚠ Evitare di conservare gli alimenti non imballati a diretto contatto con le superfici interne dei compartimenti frigorifero o congelatore. Gli apparecchi potrebbero avere compartimenti speciali (compartimento alimenti freschi, contenitore zero gradi, ecc). Se non specificato nell'apposito libretto del prodotto, possono essere rimossi, mantenendo prestazioni equivalenti.

### INSTALLAZIONE

⚠ L'apparecchio deve essere maneggiato e installato da due o più persone - rischio di lesioni. Utilizzare guanti protettivi per disimballare e installare - rischio di tagli.

⚠ L'installazione, compresi eventuali allacciamenti idrici ed elettrici, e le riparazioni devono essere eseguite da un tecnico qualificato. Non riparare o sostituire alcuna parte dell'apparecchio se non espressamente indicato nel manuale d'uso. Tenere i bambini lontano dal luogo di installazione. Dopo aver disimballato l'apparecchio, assicurarsi che non sia stato danneggiato durante il trasporto. In caso di problemi, contattare il rivenditore o l'assistenza post-vendita più vicina. Una volta effettuata l'installazione, i rifiuti di imballaggio (plastica, polistirolo ecc.) devono essere collocati fuori dalla portata dei bambini - rischio di soffocamento. L'apparecchio deve essere scollegato dalla rete elettrica prima di qualsiasi operazione di installazione - pericolo di scossa elettrica. Durante l'installazione, assicurarsi che l'apparecchio non danneggi il cavo di alimentazione - rischio di incendio o scossa elettrica. Attivare l'apparecchio solo al termine dell'installazione.

⚠ Fare attenzione a non danneggiare i pavimenti (per es. parquet) durante lo spostamento dell'apparecchio. Installare l'apparecchio su un pavimento o su un supporto sufficientemente resistente per sopportare il peso e in un luogo adatto alle dimensioni e all'uso. Accertarsi che l'apparecchio non sia vicino a una fonte di calore e che i quattro piedini siano stabili e appoggiati sul pavimento, regolandoli come richiesto, e verificare che l'apparecchio sia perfettamente in piano utilizzando una livella a bolla d'aria. Attendere almeno due ore prima di accendere l'apparecchio per assicurarsi che il circuito refrigerante sia perfettamente funzionante.

⚠ Per garantire un'adeguata ventilazione, lasciare uno spazio su entrambi i lati e sopra l'apparecchio. La distanza tra la parte posteriore dell'apparecchio e la parete retrostante deve essere di 50 mm, per evitare l'accesso alle superfici calde. Una riduzione di questo spazio aumenterà il consumo energetico del prodotto.

⚠ **AVVERTENZA:** Per evitare pericoli dovuti all'instabilità, si deve eseguire il posizionamento o fissaggio dell'apparecchio come da istruzioni del fabbricante. È vietato posizionare il frigorifero in un modo tale che le condutture metalliche di stufe a gas, le tubazioni del gas, i condotti dell'acqua o i cavi elettrici siano a contatto con la parete posteriore del frigorifero (bobina condensatore).

⚠ Se è necessario sostituire le porte, contattare il Centro Assistenza Tecnica.

### **AVVERTENZE ELETTRICHE**

⚠ Deve essere possibile scollegare l'apparecchio dalla rete elettrica staccando la spina se la spina è accessibile, oppure mediante un interruttore multipolare installato a monte della presa in conformità alle norme di cablaggio elettrico e l'apparecchio deve essere collegato a una presa di terra in conformità alle norme nazionali di sicurezza elettrica.

⚠ Non utilizzare prolunghe, prese multiple o adattatori. I componenti elettrici non devono essere accessibili all'utente dopo l'installazione. Non utilizzare l'apparecchio quando si è bagnati o a piedi nudi. Non azionare l'apparecchio se presenta un cavo o una spina di alimentazione danneggiati, se non funziona correttamente o se ha subito danni o è caduto.

⚠ Se il cavo di alimentazione è danneggiato, deve essere sostituito con uno identico da parte del fabbricante, dal personale di assistenza o da una persona qualificata per evitare il rischio di scosse elettriche.

⚠ **AVVERTENZA:** Quando si posiziona l'apparecchio, assicurarsi che il cavo di alimentazione non sia bloccato o danneggiato.


⚠ **AVVERTENZA:** Non collocare prese multiple o alimentatori portatili sul retro dell'apparecchio.

### **PULIZIA E MANUTENZIONE**

⚠ **AVVERTENZA:** Accertarsi che l'apparecchio sia spento e scollegato dalla rete elettrica prima di effettuare qualsiasi operazione di manutenzione; non utilizzare mai pulitori a vapore - rischio di scosse elettriche.

⚠ Non utilizzare detersivi abrasivi o aggressivi come spray per vetri, polveri abrasive, liquidi infiammabili, cere per pulizia, detersivi concentrati, candeggina o detersivi contenenti derivati del petrolio su parti in plastica, rivestimenti interni e porte o guarnizioni. Non utilizzare asciugamani di carta, tamponi abrasivi o altri attrezzi di pulizia aggressivi.


### **SMALTIMENTO DEI MATERIALI DI IMBALLAGGIO**

Il materiale di imballaggio è riciclabile al 100% ed è contrassegnato con il simbolo del riciclo .

Le varie parti dell'imballaggio devono pertanto essere smaltite in modo responsabile e nel pieno rispetto delle norme locali vigenti in materia di smaltimento dei rifiuti.

### **SMALTIMENTO DI ELETTRODOMESTICI**

Questo apparecchio è realizzato con materiali riciclabili o riutilizzabili. Smaltire in conformità alle norme locali per lo smaltimento dei rifiuti. Per ulteriori informazioni sul trattamento, il recupero e il riciclaggio degli elettrodomestici, contattare l'ente locale competente, il servizio di raccolta dei rifiuti domestici o il negozio presso il quale è stato acquistato l'apparecchio. Questo apparecchio è contrassegnato in conformità alla Direttiva Europea 2012/19/UE sui rifiuti di apparecchiature elettriche ed elettroniche (RAEE). Assicurandovi che questo prodotto sia smaltito correttamente, contribuirete ad evitare conseguenze negative per l'ambiente e la salute umana.

Il simbolo  sul prodotto o sulla documentazione di accompagnamento indica che esso non deve essere trattato come rifiuto domestico, ma deve essere portato in un apposito centro di raccolta per il riciclaggio delle apparecchiature elettriche ed elettroniche.

## CONSIGLI PER IL RISPARMIO ENERGETICO

Installare l'apparecchio in un ambiente asciutto e ben ventilato lontano da qualsiasi fonte di calore (per es. termosifone, fornello, ecc.) e in un luogo non esposto direttamente al sole. Se necessario, utilizzare una piastra isolante.

Per garantire una ventilazione adeguata seguire le istruzioni di installazione. Una ventilazione insufficiente sul retro del prodotto aumenta il consumo energetico e riduce l'efficienza del raffreddamento. L'apertura frequente della porta potrebbe causare un aumento del consumo energetico. La temperatura interna dell'apparecchio e il consumo di energia possono essere influenzati anche dalla temperatura ambiente e dalla posizione dell'apparecchio. L'impostazione della temperatura deve tenere conto di questi fattori.

Ridurre al minimo l'apertura della porta.

Quando si scongelano i cibi congelati, metterli in frigorifero. La bassa temperatura dei prodotti surgelati raffredda il cibo in frigorifero. Lasciar raffreddare cibi e bevande caldi prima di riporli nell'apparecchio. Il posizionamento dei ripiani in frigorifero non ha alcun impatto sull'uso efficiente dell'energia. Gli alimenti devono essere collocati sui ripiani in modo da garantire una corretta circolazione dell'aria (gli alimenti non devono toccarsi e deve essere mantenuta una distanza tra gli alimenti e la parete posteriore).

È possibile aumentare la capacità di conservazione dei cibi surgelati rimuovendo i cestelli e, se presente, il ripiano Stop Frost.

Eventuali rumori provenienti dal compressore non devono preoccupare in quanto sono da considerarsi normali come descritto nella Guida Rapida del prodotto.



## Smaltimento corretto del vecchio frigorifero

### **! AVVERTENZA**

#### **Pericolo di soffocamento**

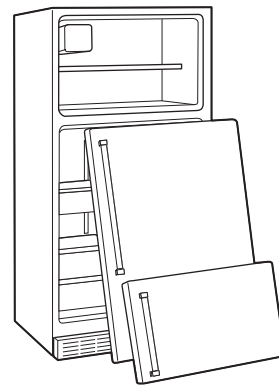
**Rimuovere le porte del vecchio frigorifero.**

**La mancata osservanza di queste istruzioni può essere causa di decesso o danni cerebrali.**

**IMPORTANTE:** gli incidenti fatali che coinvolgono bambini che restano intrappolati negli elettrodomestici non appartengono al passato. I frigoriferi abbandonati o buttati nelle discariche costituiscono ancora oggi un pericolo, anche se lasciati "solo per qualche giorno". Quando si decide di disfarsi del vecchio frigorifero, seguire queste istruzioni per contribuire a evitare incidenti.

#### **Prima di disfarsi del vecchio frigorifero o congelatore:**

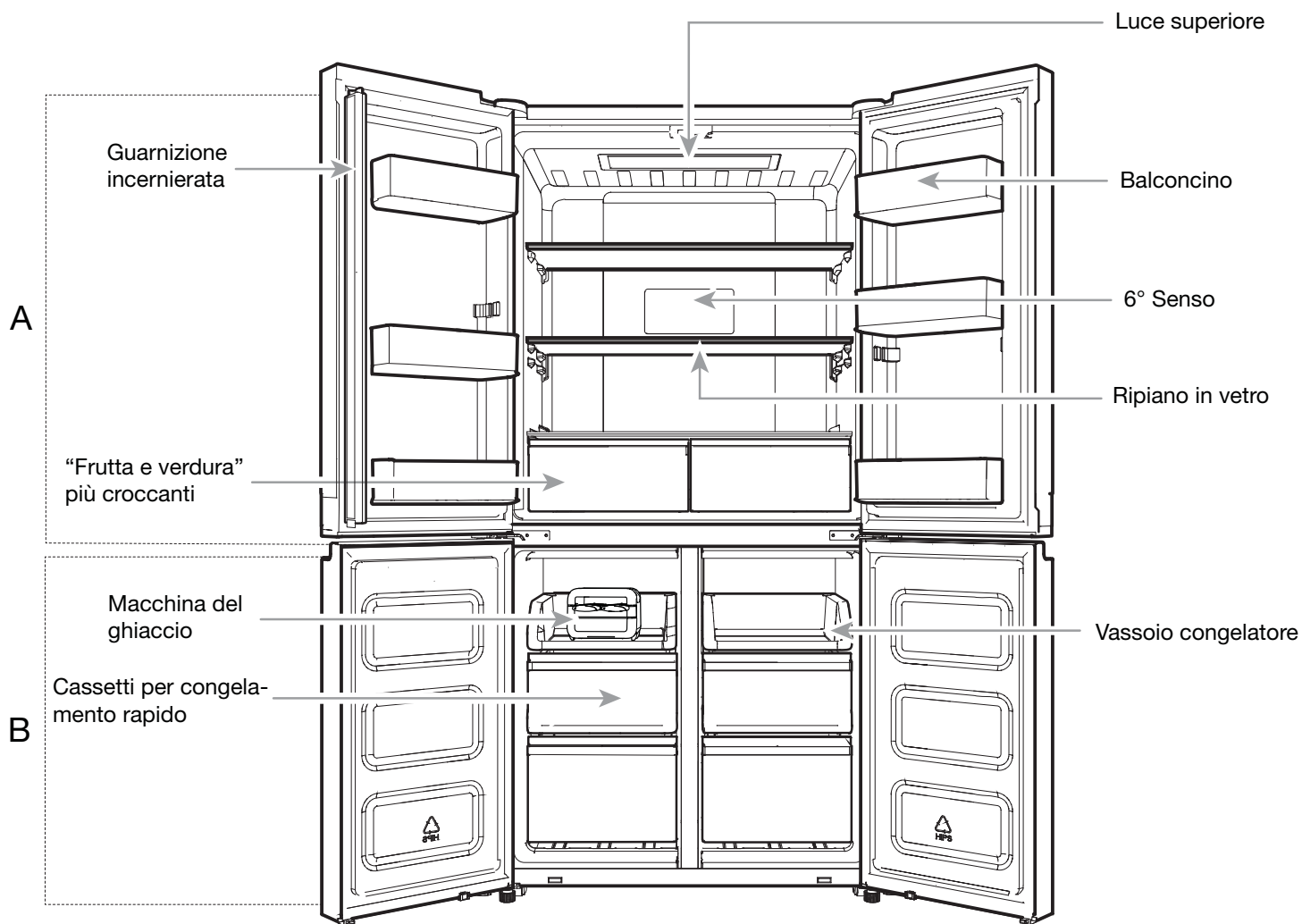
- Togliere le porte.
- Lasciare in sede i ripiani in modo che i bambini non possano accedere facilmente all'interno.



#### **Informazioni importanti sullo smaltimento dei refrigeranti:**

Smaltire il frigorifero in conformità alle normative nazionali e locali. I refrigeranti devono essere evacuati da un tecnico autorizzato in conformità alle procedure stabilite.

# COMPONENTI E FUNZIONI



- A . Frigorifero
- B . Congelatore
- C . Congelatore flessibile (solo con WQ9 B1L, 6WM591NIHAS e WQ70900SXX)



# ISTRUZIONI DI INSTALLAZIONE

## Per iniziare

### LISTA DI CONTROLLO PER L'INSTALLAZIONE

#### ✓ Corrente elettrica

## ⚠ AVVERTENZA



### Rischio di folgorazione

**Inserire la spina in una presa con messa a terra.**

**Non rimuovere il polo di messa a terra.**

**Non utilizzare un riduttore.**

**Non utilizzare prolunghe.**

**La mancata osservanza di queste istruzioni può essere causa di decesso, incendio o folgorazione.**

- Inserire la spina del frigorifero in una presa con messa a terra.

#### ✓ Porte

- Se durante l'installazione occorre rimuovere le porte, vedere le sezioni "Rimuovere e sostituire le porte del frigorifero" e "Rimuovere e sostituire i frontali del cassetto congelatore".
- La guarnizione delle porte isola completamente.
- Il frigorifero è in piano. Regolare i piedini di livellamento in modo che siano aderenti al pavimento.
- Le porte sono allineate in alto. (Usare la funzione Allineamento porte se necessario).

#### ✓ Controlli finali

- Rimuovere tutti i materiali di imballaggio.
- Impostare i comandi di temperatura sui valori consigliati.
- Conservare le istruzioni e l'altra eventuale documentazione.
- Per ricevere un'assistenza più completa, si prega di registrare il prodotto su [www.whirlpool.eu/register](http://www.whirlpool.eu/register).

## Disimballare il frigorifero

## ⚠ AVVERTENZA

### Pericolo peso eccessivo

**Utilizzare due o più persone per spostare e installare il frigorifero.**

**In caso contrario possono verificarsi lesioni alla schiena o di altro tipo.**

### Consegna del frigorifero

È necessaria un'apertura porta minima di 838 mm. Se l'apertura della porta è uguale o inferiore a 914 mm occorre rimuovere le porte, il cassetto e le cerniere.

Caricare il frigo su un carrello dal lato in cui aprono le porte.

### Quando si sposta il frigorifero:

Il frigorifero è pesante. Quando si sposta il frigorifero per la pulizia o l'assistenza, assicurarsi di coprire il pavimento con cartone o compensato per evitare di danneggiare il pavimento. Spostare sempre il frigorifero mantenendolo diritto. Non far ondeggiare o far "camminare" il frigorifero quando si tenta di spostarlo per evitare di danneggiare il pavimento.

### Rimuovere l'imballo

- Rimuovere residui di nastro e colla dalle superfici prima di accendere il frigorifero. Strofinare una piccola quantità di detergente liquido per piatti sull'adesivo con le dita. Sciacquare con acqua tiepida e asciugare.
- Non usare strumenti affilati, strofinare alcol, liquidi infiammabili o detersivi abrasivi per rimuovere il nastro o la colla. Questi prodotti possono danneggiare la superficie del frigorifero.
- Smaltire/riciclare tutti i materiali di imballo.

### Pulire prima dell'uso

Dopo aver rimosso tutti i materiali di imballo, pulire l'interno del frigorifero prima di usarlo. Consultare le istruzioni per la pulizia nella sezione "Manutenzione del frigorifero".

### Informazioni importanti da sapere sui ripiani e coperchi in vetro:

Non pulire i ripiani o i coperchi in vetro con acqua calda quando sono freddi. I ripiani e i coperchi possono rompersi se esposti a bruschi cambiamenti di temperatura o collisione, ad esempio urtandoli. Il vetro temperato si frantuma in tanti piccoli frammenti delle dimensioni di sassolini. È normale. I ripiani e i coperchi in vetro sono pesanti. Usare entrambe le mani per rimuoverli per evitare di farli cadere.

## Requisiti per il posizionamento

### **⚠ AVVERTENZA**

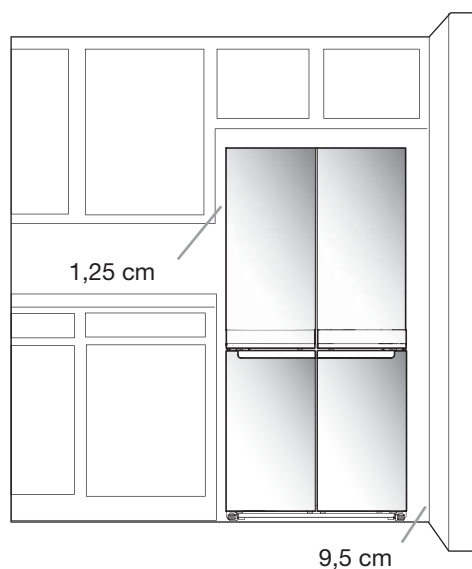


#### Rischio di esplosione

**Tenere lontano dal frigorifero materiali e vapori infiammabili, come per esempio la benzina.**  
**La mancata osservanza di queste istruzioni può essere causa di decesso, esplosione o incendio.**

Per assicurare un corretto ricircolo d'aria intorno al frigorifero, lasciare uno spazio di 1,25 cm su ciascun lato e in alto. Lasciare uno spazio di 5 cm dietro il frigorifero. Se il frigorifero è dotato di una macchina del ghiaccio, lasciare più spazio sul retro per i collegamenti del circuito idraulico. Quando si installa il frigorifero accanto a una parete fissa, lasciare almeno 9,5 cm di spazio tra il frigorifero e la parete per consentire l'apertura della porta.

**NOTA:** Questo frigorifero è destinato all'uso in ambienti con temperature comprese tra un minimo di 10°C e un massimo di 43°C. L'intervallo di temperatura ambiente consigliato per prestazioni ottimali, che riduce il consumo di energia elettrica e fornisce un raffreddamento superiore, è compreso tra 15°C e 32°C. Si raccomanda di non installare il frigorifero vicino a fonti di calore, come forni o radiatori.



## Requisiti elettrici

### **⚠ AVVERTENZA**



#### Rischio di folgorazione

**Inserire la spina in una presa con messa a terra.**  
**Non rimuovere il polo di messa a terra.**  
**Non utilizzare un riduttore.**  
**Non utilizzare prolunghe.**  
**La mancata osservanza di queste istruzioni può essere causa di decesso, incendio o folgorazione.**

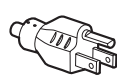
**IMPORTANTE:** l'installazione e il collegamento elettrico devono essere eseguiti da un tecnico qualificato, in conformità alle istruzioni del fabbricante e conformemente alle norme locali vigenti in materia di sicurezza.

- Il frigorifero è progettato per funzionare su un circuito separato di 220-240 Volt, 10A, 50/60 Hz.
- Assicurarsi che la tensione specificata sulla targhetta dati corrisponda a quella della rete domestica.
- Deve essere possibile disconnettere l'apparecchio dall'alimentazione elettrica disinserendo la spina oppure utilizzando un interruttore bipolare di rete posto a monte della presa.
- Se il cavo di alimentazione è danneggiato, deve essere sostituito dal produttore, da personale di assistenza o da una persona con qualifica analoga per evitare rischi.

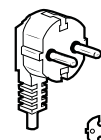
Prima di spostare il frigorifero nella posizione definitiva è importante assicurarsi di disporre di un allacciamento elettrico idoneo.

#### Metodo di messa a terra raccomandato

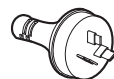
Alimentazione CA 220-240 Volt 50 Hz, 220 Volt 60 Hz o 230/240 Volt 50 Hz a soli 10A con messa a terra.



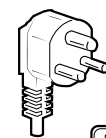
Tipo B



Tipo E ed F



Tipo I



Tipo M



Tipo G

#### Per Australia e Nuova Zelanda:

Il vostro nuovo elettrodomestico è stato appositamente fabbricato per soddisfare tutte le Normative e condizioni australiane.

Alcune indicazioni nelle istruzioni di installazione possono far riferimento a requisiti elettrici di altri paesi, prestare quindi particolare attenzione a queste note specifiche.

L'apparecchio deve essere collegato a una presa CA 230/240 Volt 50 Hz a soli 10A con messa a terra.

## Requisiti elettrici (solo per Gran Bretagna e Irlanda)

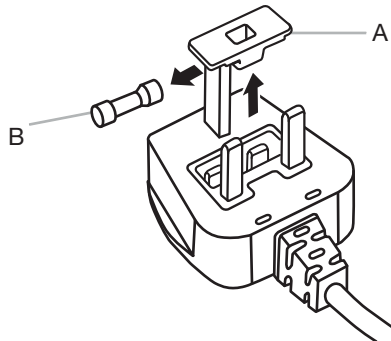
**IMPORTANTE:** il frigorifero deve essere collegato a terra.

### Sostituzione del fusibile

Se il cavo principale di questo frigorifero è dotato di un fusibile BS1363A, presa fusibile 13A, per sostituire un fusibile in questo tipo di presa utilizzare un fusibile A.S.T.A. omologato BS 1362 e procedere come segue:

1. Rimuovere il coprifusibile (A) e il fusibile (B).
2. Inserire il nuovo fusibile da 13A nel coprifusibile.
3. Reinscrivere fusibile e coprifusibile nella spina.

**IMPORTANTE:** quando si cambia il fusibile si deve rimettere in sede anche il coprifusibile. Se si perde il coprifusibile la spina non deve essere utilizzata fino a quando non verrà installato un coprifusibile adatto. La posizione corretta è indicata dall'inserto colorato o dalla "scritta" colorata in rilievo alla base della spina. Nei negozi di ricambi elettrici, sono disponibili coprifusibili di ricambio.



A. Coprifusibile  
B. Fusibile

### Solo per la Repubblica d'Irlanda:

molto spesso sono applicabili le informazioni fornite per la Gran Bretagna, tuttavia viene utilizzato un terzo tipo di spina e relativa presa: a due poli con il polo di terra laterale.

### Presa/spina (valide per entrambi i paesi):

Se la spina fornita in dotazione non è adatta alla propria presa, contattare il Servizio Assistenza per ulteriori istruzioni. Non tentare di cambiare da soli la spina. Questa operazione deve essere eseguita da un tecnico qualificato in conformità alle istruzioni del produttore e alle norme vigenti in materia di sicurezza.

## Temperatura

L'apparecchio è progettato per il funzionamento in ambienti in cui la temperatura sia compresa nei seguenti intervalli, a seconda della classe climatica riportata sulla targhetta dati. Il frigorifero potrebbe non funzionare correttamente se lasciato a lungo a una temperatura che non rientra nei valori dell'intervallo specificato.

**NOTA:** Si raccomanda di non installare il frigorifero vicino a una fonte di calore, come una stufa o un termosifone.

Classe climatica	Temp. ambiente (°C)	Temp. ambiente (°F)
SN	Da 10 A 32	Da 50 A 90
N	Da 16 A 32	Da 61 A 90
ST	Da 16 A 38	Da 61 A 100
T	Da 16 A 43	Da 61 A 110

## Rimuovere e sostituire le porte del frigorifero

**NOTA:** misurare la larghezza dell'apertura porta per verificare se è necessario rimuovere le porte del frigorifero per portare in casa l'elettrodomestico. Se è necessario rimuovere le porte, seguire queste istruzioni.

**IMPORTANTE:** se il frigorifero era già installato e deve essere trasportato all'esterno, spegnere il frigorifero prima di iniziare a rimuovere le porte. Staccare la spina del frigorifero o scollegare l'alimentazione di rete. Togliere gli alimenti e gli sportelli o balconcini rimovibili dalle porte. Preparare gli attrezzi richiesti e leggere tutte le istruzioni prima di rimuovere le porte.

**ATTREZZI RICHIESTI:** chiave a brugola da 6 mm, chiave a brugola da 5 mm e cacciavite a croce n.2.



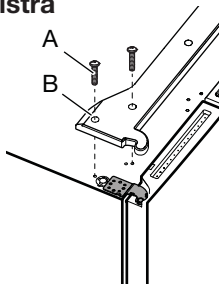
### ⚠ AVVERTENZA

Rischio di folgorazione

Scollegare l'alimentazione prima di rimuovere le porte.

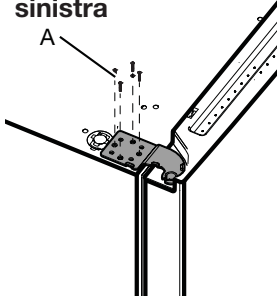
La mancata osservanza di queste istruzioni può essere causa di decesso o di folgorazione.

#### Copricerniera superiore sinistra



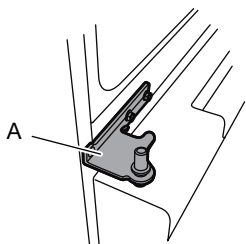
A. Viti copricerniera superiore  
B. Copricerniera

#### Cerniera superiore sinistra



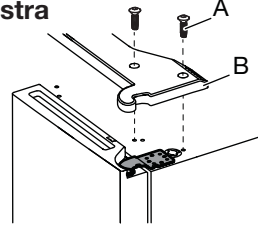
A. Viti a brugola 5 mm

#### Cerniera mediana sinistra



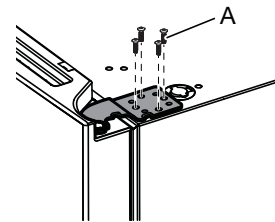
A. Cerniera

#### Copricerniera superiore destra



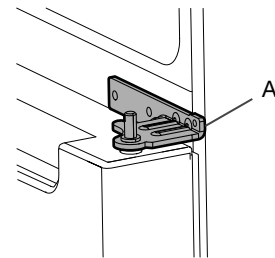
A. Viti copricerniera superiore  
B. Copricerniera

#### Cerniera superiore destra



A. Viti a brugola 5 mm

#### Cerniera mediana destra



A. Cerniera

## **⚠ AVVERTENZA**

### **Pericolo peso eccessivo**

Utilizzare due o più persone per sollevare la porta del frigorifero.

In caso contrario possono verificarsi lesioni alla schiena o di altro tipo.

### Rimuovere le porte del frigorifero

## **⚠ AVVERTENZA**



### **Rischio di folgorazione**

Scollegare l'alimentazione prima di rimuovere le porte.

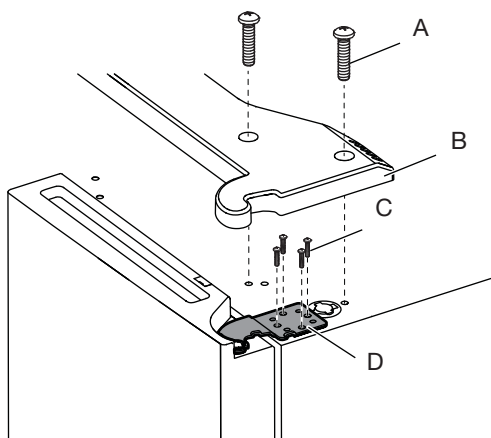
La mancata osservanza di queste istruzioni può essere causa di decesso o di folgorazione.

### Rimuovere la porta destra

1. Staccare la spina del frigorifero o scollegare l'alimentazione di rete.
2. Tenere chiuse le porte del frigorifero fino a quando si è pronti per toglierle dal vano frigo sollevandole.

**NOTA:** sostenere la porta del frigorifero durante la rimozione delle cerniere. Non affidarsi ai magneti sulla guarnizione della porta per il sostegno della porta mentre si lavora.

3. Con un cacciavite a croce, rimuovere il copricerniera superiore.
4. Utilizzando una chiave a brugola da 5 mm, rimuovere quattro viti dalla cerniera superiore e tenerle da parte.



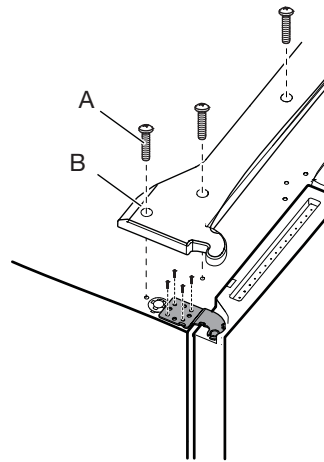
- A. Vite copricerniera superiore  
B. Copricerniera superiore  
C. Viti a brugola 5 mm  
D. Cerniera superiore

5. Sollevare la porta del frigorifero dal perno della cerniera della parte mediana. La cerniera superiore viene via insieme alla porta.

### Rimuovere la porta sinistra

**IMPORTANTE:** i cablaggi per l'interfaccia passano attraverso la cerniera della porta sinistra quindi devono essere scollegati prima di rimuovere la porta.

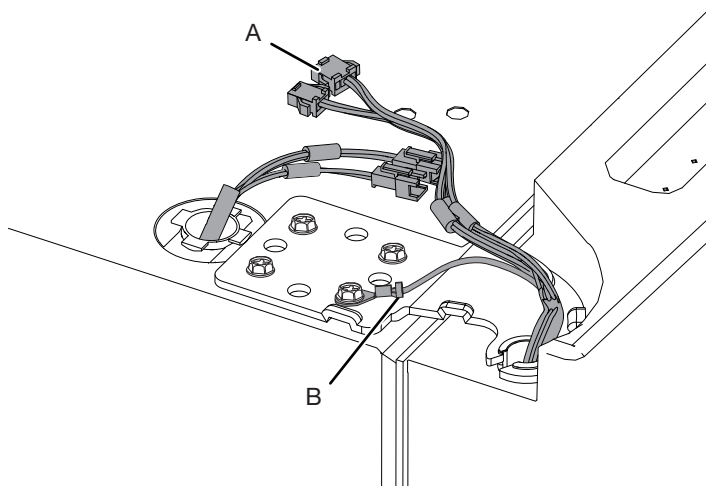
1. Con un cacciavite a croce, rimuovere il copricerniera superiore.



- A. Vite copricerniera superiore  
B. Copricerniera superiore

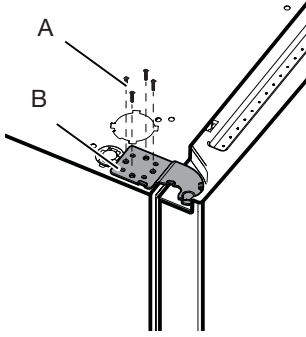
2. Scollegare le due spine del cablaggio situate nella parte superiore della cerniera porta.

- Afferrare entrambi i lati delle spine del cablaggio. Con il pollice sinistro premere verso il basso per rilasciare il fermo e dividere le sezioni delle spine.



- A. Spina cablaggio  
B. Connettore di messa a terra

- Utilizzando una chiave a brugola da 5 mm, rimuovere quattro viti interne dalla cerniera superiore e tenerle da parte.



A. Viti a brugola 5 mm  
B. Cerniera superiore

**NOTA:** sostenere la porta del frigorifero durante la rimozione delle cerniere. Non affidarsi ai magneti sulla guarnizione della porta per il sostegno della porta mentre si lavora.

- Sollevare la porta del frigorifero dal perno della cerniera della parte inferiore. La cerniera superiore viene via insieme alla porta.

**NOTA:** potrebbe non essere necessario rimuovere le cerniere inferiori e i gruppi piedini frenati per far passare il frigorifero attraverso la porta.

- Utilizzare una chiave a brugola da 6 mm e un cacciavite a croce n. 2 per rimuovere la cerniera centrale solo se necessario.

#### Sostituire la porta destra del frigorifero

- Poggiare la porta destra sul perno della cerniera centrale.
- Inserire il perno della cerniera superiore nel foro aperto sulla sommità della porta del frigorifero.
- Utilizzando quattro viti con esagono incassato da 5 mm, fissare la cerniera al vano. Non serrare completamente le viti.

#### Sostituire la porta sinistra del frigorifero

- Poggiare la porta sinistra sul perno della cerniera centrale.
- Utilizzando quattro viti con esagono incassato da 5 mm, fissare la cerniera al vano. Non serrare completamente le viti.
- Ricollegare i cavi elettrici.
  - Spingere insieme le due sezioni della spina dei cablaggi.
  - Ricollegare il filo di terra alla vite della cerniera.

#### Passaggi finali

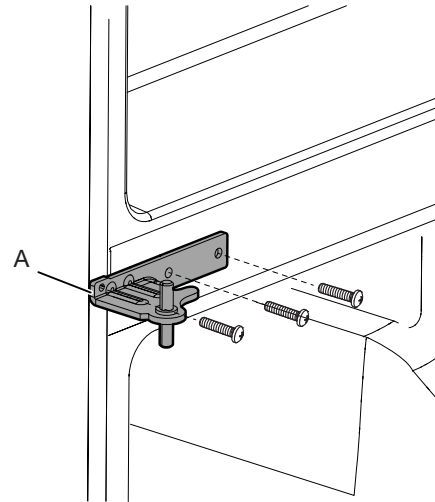
- Serrare completamente le otto viti con esagono incassato da 5 mm.
- Rimontare i due copricerniera.

## Rimuovere e sostituire la porta del congelatore/congelamento flessibile

- Tenere chiuse le porte del congelatore fino a quando si è pronti per toglierle dal vano.

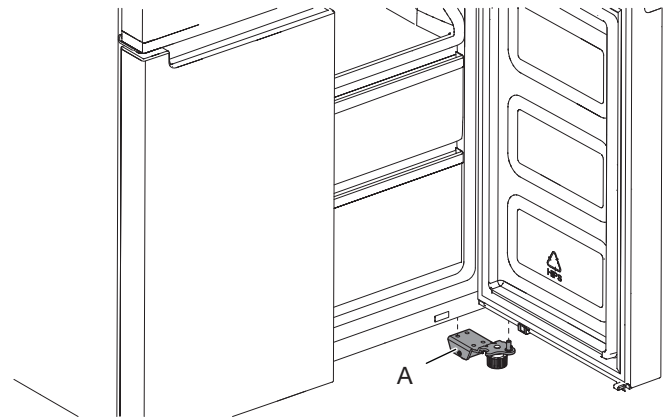
**NOTA:** sostenere la porta del congelatore durante la rimozione delle cerniere. Non affidarsi ai magneti sulla guarnizione della porta per il sostegno della porta mentre si lavora.

- Utilizzare un cacciavite a croce n. 2 e una chiave a brugola da 6 mm per rimuovere la cerniera centrale dal vano.



A. Cerniera mediana

- Sollevare la porta del congelatore dal perno della cerniera inferiore.



A. Cerniera inferiore

## ⚠️ AVVERTENZA



### Rischio di folgorazione

Inserire la spina in una presa con messa a terra.

Non rimuovere il polo di messa a terra.

Non utilizzare un riduttore.

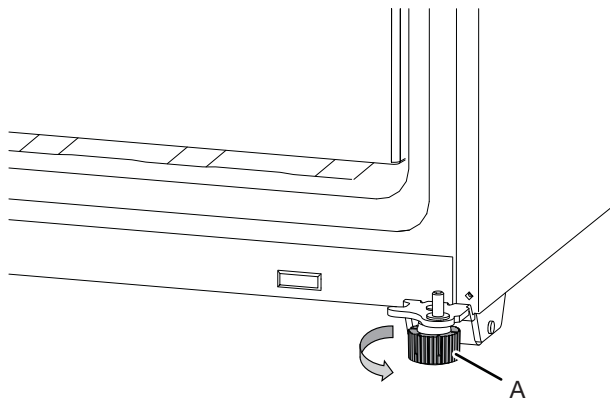
Non utilizzare prolunghe.

La mancata osservanza di queste istruzioni può essere causa di decesso, incendio o folgorazione.

1. Inserire la spina in una presa con messa a terra.
2. Rimettere tutte le parti rimovibili e gli alimenti nei cassetti.

## Messa in piano del frigorifero

1. Spostare il frigorifero nella posizione definitiva.
2. Ruotare i piedini frenati con la mano. Ruotarli in senso antiorario fino a quando i rulli si staccano dal pavimento ed entrambi i piedini frenati sono ben fissi sul pavimento. I piedini frenati evitano che il frigorifero venga avanti quando si aprono le porte.



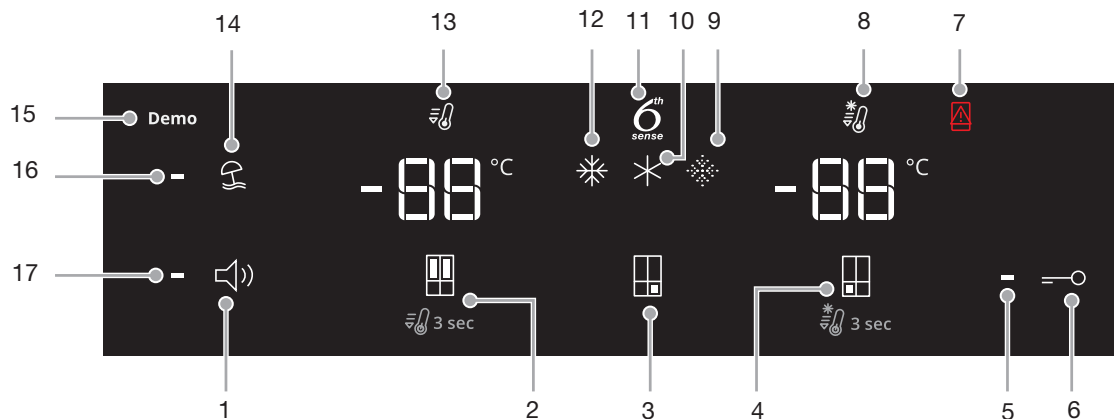
A. Piedino frenato

**IMPORTANTE:** se occorre eseguire altre regolazioni che coinvolgono i piedini frenati, è necessario ruotare entrambi i piedini frenati in modo uniforme per mantenere in piano il frigorifero.

3. Utilizzare una livella per controllare che i due fianchi e la parte anteriore e quella posteriore siano in piano.

## Uso dei comandi

I controlli touch si trovano sulla porta sinistra del frigorifero. Il pannello di controllo contiene informazioni su vari pulsanti e indicatori. Gli indicatori di temperatura del frigorifero e del congelatore mostrano l'ultimo setpoint di temperatura.



1. Pulsante Segnali sonori ON/OFF
2. Pulsante Temperatura Frigorifero (tenere premuto 3 sec. per Raffreddamento rapido)
3. Pulsante Temperatura predefinita Congelamento flessibile (solo con WQ9 B1L, 6WM591NIHAS e WQ70900SXX)
4. Pulsante Temperatura Congelatore (tenere premuto 3 sec. per Congelamento rapido)
5. Indicatore Blocco chiave
6. Pulsante Blocco chiave
7. Spia Porta aperta
8. Indicatore Congelamento rapido
9. Indicatore Congelamento leggero (solo con WQ9 B1L, 6WM591NIHAS e WQ70900SXX)
10. Indicatore Congelamento medio (solo con WQ9 B1L, 6WM591NIHAS e WQ70900SXX)
11. Indicatore 6° senso
12. Indicatore Congelamento tradizionale (solo con WQ9 B1L, 6WM591NIHAS e WQ70900SXX)
13. Indicatore Raffreddamento rapido
14. Pulsante modo Vacanze
15. Indicatore modo Demo (solo con WQ9 B1L, 6WM591NIHAS e WQ70900SXX)
16. Indicatore modo Vacanze
17. Indicatore Segnali sonori

Il pannello di controllo si spegne automaticamente dopo un minuto di inattività. Per accendere il pannello di controllo, premere un tasto qualsiasi.

### - 88 Visualizzazione e regolazione dei setpoint di temperatura

#### Regolazione della temperatura del comparto frigorifero e del comparto congelatore:

Per praticità i comandi del frigorifero e del congelatore sono preimpostati in fabbrica.

Quando si installa il frigorifero per la prima volta assicurarsi che i comandi siano ancora impostati sui setpoint consigliati. I setpoint di fabbrica consigliati sono 3°C per il frigorifero e -18°C per il congelatore.

Premendo il pulsante Temperatura Frigorifero o Congelatore si commutano i setpoint di temperatura in gradi Celsius (°C).

#### IMPORTANTE:

- attendere 24 ore prima di inserire gli alimenti nel frigorifero. Se si inseriscono alimenti prima che il frigorifero si sia raffreddato completamente, si potrebbero deteriorare.  
**NOTA:** abbassando le temperature al di sotto dei setpoint consigliati non servirà a raffreddare i comparti più rapidamente.
- Se la temperatura del frigorifero o del congelatore è troppo calda o troppo fredda, controllare che le prese d'aria non siano bloccate prima di regolare i comandi.
- Le impostazioni consigliate dovrebbero essere idonee per il normale uso domestico. I comandi sono impostati correttamente se la temperatura del latte o dei succhi di frutta è corretta e quando il gelato è solido.  
**NOTA:** in aree come un garage, un seminterrato o una veranda potrebbero esserci umidità più elevata o temperature estreme. Potrebbe essere quindi necessario modificare la temperatura rispetto a quelle consigliate per adattarle a queste condizioni.
- Attendere almeno 24 ore tra una regolazione e l'altra. Controllare di nuovo le temperature prima di procedere ad altre regolazioni.

### 6° Comandi 6° Senso Fresh Lock e Congelatore

Il sensore 6° SENSO Fresh Lock garantisce un controllo preciso e costante della temperatura per preservare più a lungo, nel modo più naturale, gli alimenti freschi. Una volta rilevata una variazione di temperatura, il sensore attiva un compressore che ripristina rapidamente la temperatura originale.

Il sensore 6° SENSO Freeze riduce al minimo le fluttuazioni di temperatura nel congelatore grazie ad un innovativo sistema di gestione della temperatura. Le bruciature da freddo sui cibi congelati vengono limitate per preservare la qualità e il colore degli alimenti.

#### Impostazione del Congelamento flessibile (solo con WQ9 B1L, 6WM591NIHAS e WQ70900SXX)

La funzione Congelamento flessibile consente di commutare le temperature predefinite per il comparto Congelamento flessibile.

Simbolo	Funzione	Temperatura
❄	Congelamento tradizionale	-18°C
❄	Congelamento medio	-12°C
❄	Congelamento leggero	-7°C

\* Per attivare/disattivare l'impostazione Più fredda (-20°C), premere il pulsante di Temperatura predefinita Congelamento flessibile per 3 secondi.

#### Regolazione dell'impostazione di temperatura multipla

- Congelamento tradizionale (-18 °C): Alimenti già surgelati e alimenti freschi (max 12 mesi)
- Congelamento medio (-12 °C): Alimenti già surgelati (max 1 mese)
- Congelamento leggero (-7 °C): Alimenti già surgelati (max 1 settimana)



Quando si regolano i setpoint di temperatura, utilizzare questa tabella come guida:

CONDIZIONE	REGOLAZIONE TEMPERATURA:
Frigorifero troppo freddo	Impostazione frigorifero di un 1° in più
Frigorifero troppo caldo	Impostazione frigorifero di un 1° in meno
Congelatore troppo freddo	Impostazione congelatore di un 1° in più
Congelatore troppo caldo/troppo poco ghiaccio	Impostazione congelatore di un 1° in meno


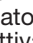
### Raffreddamento rapido

La funzione Raffreddamento rapido è utile nei periodi di utilizzo intenso del frigorifero, quando è pieno o per temperature ambiente temporaneamente calde.

- Per attivare la funzione Raffreddamento rapido, tenere premuto il pulsante Temperatura Frigorifero  per 3 secondi. Quando la funzione è attivata, l'icona di Raffreddamento rapido si accende. La funzione Raffreddamento rapido rimane accesa per 2 ore a meno che non venga disattivata manualmente.
- Per disattivare manualmente la funzione Raffreddamento rapido, tenere premuto il pulsante Temperatura Frigorifero  per 3 secondi. L'icona di Raffreddamento rapido si spegne quando la funzione non è attivata.
- Se si regola la temperatura del frigorifero, la funzione Raffreddamento rapido si disattiva automaticamente.

### Congelamento rapido

La quantità di cibo fresco (in kg) che può essere congelato in 24 ore è indicata sulla targhetta dell'apparecchio.

- Premere il pulsante Temperatura Congelatore  per 3 secondi (fino a quando l'indicatore di Congelamento rapido si accende), 24 ore prima di mettere cibo fresco nel congelatore. Dopo aver posizionato il cibo fresco nel congelatore, 24 ore sulla funzione Congelamento rapido sono generalmente sufficienti; dopo 50 ore la funzione Congelamento rapido si disattiva automaticamente.
- Per disattivare manualmente la funzione Congelamento rapido, tenere premuto il pulsante Temperatura Congelatore  per 3 secondi. L'icona di Congelamento rapido si disattiva.
- Se si regola la temperatura del congelatore, la funzione Congelamento rapido si disattiva automaticamente.

### Modo Vacanze

Questa modalità è progettata per evitare che l'apparecchio sprechi energia nei periodi in cui non viene utilizzato regolarmente (ad esempio durante le ferie).

Selezionando questa funzione, la temperatura del comparto frigorifero (RC) verrà impostata automaticamente sul setpoint più caldo.

- Per utilizzare il modo Vacanze, premere il pulsante corrispondente finché si accende l'indicatore del modo Vacanze sul display.
- Per uscire dal modo Vacanze, premere il pulsante corrispondente finché non sarà più accesa l'icona del modo Vacanze sul display.
- Se si regola la temperatura del frigorifero, la funzione Vacanze si disattiva automaticamente.

**IMPORTANTE: se si seleziona questa modalità, tutti i cibi e le bevande devono essere rimossi dal vano frigorifero.**

### Segnali sonori ON-OFF

Premere il pulsante per attivare/disattivare la segnalazione sonora.

### Blocco chiave

- Tenere premuto il pulsante di Blocco 3 secondi per attivare la funzione Blocco.
- Per disattivare il blocco, tenere premuto il pulsante di Blocco per 3 secondi.

La funzione Blocco ignora tutte le interazioni con il pannello di controllo finché l'utente non sblocca il pannello di controllo. Questa funzione consente di evitare modifiche involontarie delle impostazioni.

### Modo Demo (solo con WQ9 B1L, 6WM591NIHAS e WQ70900SXX)


Questo modo si utilizza quando il frigorifero è in esposizione in negozio o se si desidera disattivare il raffreddamento e tutte le altre funzioni (ad eccezione della luce interna).

Il modo Demo si può utilizzare quando si parte per una lunga vacanza. Vedere la sezione "Operazioni prima della vacanza e del trasloco" per le operazioni da compiere quando si lascia il frigorifero in questa modalità per lunghi periodi di tempo.

- Se si attiva il modo Demo, sul display si illumina l'icona corrispondente.
- Entrare o uscire dal modo Demo premendo e tenendo premuti contemporaneamente i pulsanti Segnali sonori e Blocco per 3 secondi.

### Funzioni aggiuntive

#### Spia Porta aperta

- La funzione Spia porta aperta emette un allarme e fa lampeggiare l'icona di "Porta aperta"  quando una delle quattro porte è rimasta aperta per almeno 2 minuti.
- L'allarme si ripete ogni 5 minuti. Chiudere tutte le porte per disattivarlo.

**NOTA:** per silenziare l'allarme sonoro mentre le porte sono aperte, ad esempio durante la pulizia dell'interno del frigorifero, toccare un pulsante qualsiasi sul pannello comandi. L'allarme sonoro viene temporaneamente sospeso, ma l'icona della Porta aperta rimane visualizzata sul pannello comandi.

### Luce del frigorifero

Il frigo dispone di una luce interna che si accende quando si apre la porta.

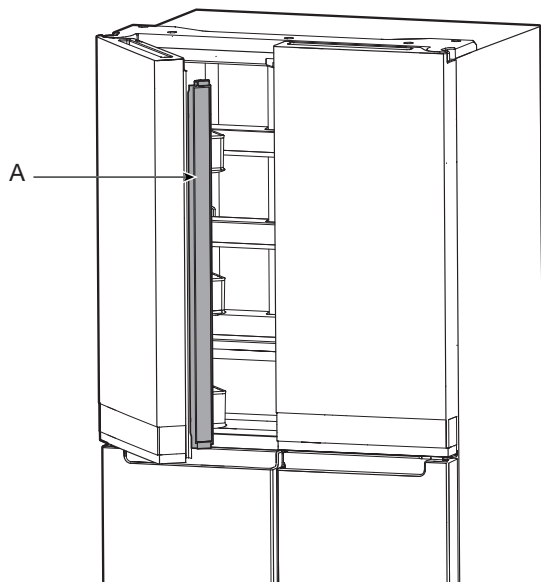
**NOTA:** la luce è a LED e non serve quindi sostituire la lampadina. Se i LED non si accendono quando si apre la porta, rivolgersi all'assistenza tecnica.

# USO DEL FRIGORIFERO

## Apertura e chiusura delle porte

Le porte del vano frigorifero sono due. Si possono aprire e chiudere insieme o separatamente. La porta sinistra del frigorifero comprende una guarnizione incernierata verticalmente.

- Quando la porta sinistra viene aperta, la guarnizione incernierata si ripiega automaticamente all'interno in modo da non intralciare.
- Quando entrambe le porte sono chiuse, la guarnizione incernierata forma automaticamente una sigillatura tra le due porte.

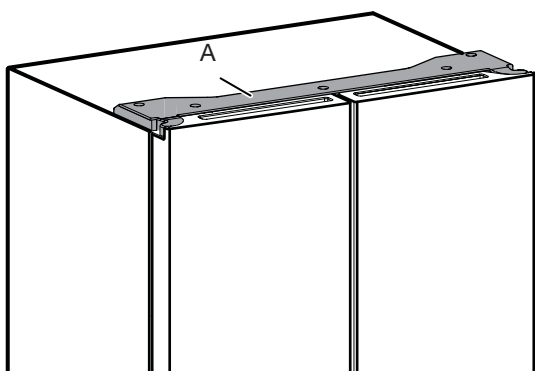


A. Guarnizione incernierata

I due interruttori delle porte del comparto frigorifero si trovano rispettivamente sui copricerniera superiori destro e sinistro.

- Per la zona di congelamento e multi temperatura, l'interruttore della porta si trova nel montante inferiore.
- L'interruttore porta utilizza un magnete per rilevare l'apertura/chiusura della porta.
- Assicurarsi che non vi siano magneti o apparecchi elettronici (altoparlanti, Coolvox® ecc.) entro 7,62 cm dal copricerniera.

**NOTA:** la luce non si accende se non viene rilevata l'apertura della porta.



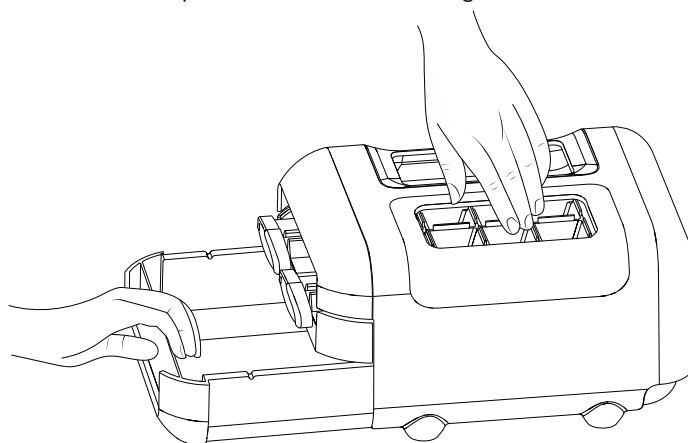
A. Copricerniera

## Macchina del ghiaccio

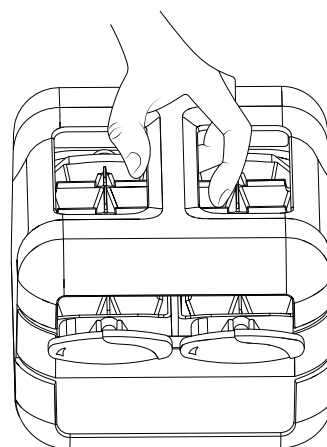
- Per la preparazione del ghiaccio, riempire il vassoio del ghiaccio con acqua purificata e collocare la macchina del ghiaccio manuale nel ripiano superiore del congelatore. Aspettare che si formi il ghiaccio e una volta che il ghiaccio è pronto, girare le manopole in senso orario per espellere i cubetti di ghiaccio nel contenitore del ghiaccio.



- Sollevare leggermente il contenitore del ghiaccio ed estrarre il contenitore per accedere ai cubetti di ghiaccio.



Il gruppo manuale della macchina del ghiaccio può essere rimosso dal congelatore quando non si desidera fare il ghiaccio per ottenere maggior spazio nel congelatore.



## Conservazione degli alimenti

### Conservazione delle uova

Si raccomanda di conservare le uova a una temperatura costante per mantenerne la freschezza, quindi è meglio conservarle in frigorifero nel ripiano mediano.

# RIPIANI, BALCONCINI E CASSETTI

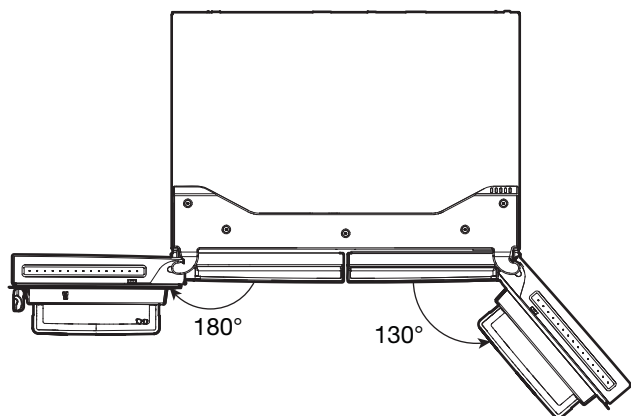
## Informazioni importanti da sapere sui ripiani e coperchi in vetro:

Non pulire i ripiani o i coperchi in vetro con acqua calda quando sono freddi. I ripiani e i coperchi possono rompersi se esposti a bruschi cambiamenti di temperatura o collisione, ad esempio urtandoli. Il vetro temperato si frantuma in tanti piccoli frammenti delle dimensioni di sassolini. È normale. I ripiani e i coperchi in vetro sono pesanti. Usare entrambe le mani per rimuoverli per evitare di farli cadere.

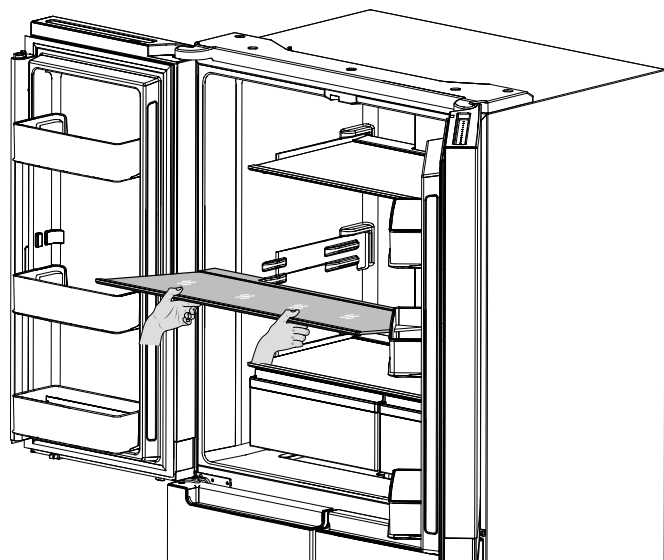
## Regolazione altezza ripiano

L'altezza del ripiano può essere regolata cambiando la sua posizione dal supporto inferiore a quello superiore e viceversa.

- Aprire lo sportello laterale destro fino all'apertura completa.
- Aprire la porta laterale sinistra fino all'apertura completa e sollevare la porta per aprirla a 180°.



- Estrarre il ripiano dal frigorifero e posizionarlo nella posizione di montaggio desiderata.



- Assicurarsi che i ripiani siano riposizionati fermamente sui rispettivi supporti.

## Ripiani e strutture di supporto dei ripiani

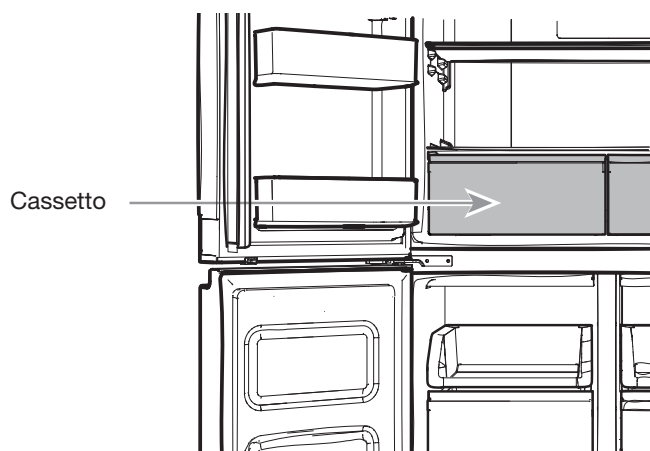
I ripiani del frigorifero sono regolabili per rispondere alle singole esigenze.

Riporre insieme alimenti simili nel frigo e regolare la posizione delle mensole in altezza aiuta trovare subito ciò che si cerca. Si riduce inoltre il tempo in cui le porte restano aperte, a vantaggio del risparmio energetico.

### Per rimuovere e reinserire i ripiani:

1. Aprire la porta laterale destra fino all'apertura completa e la porta laterale sinistra fino all'apertura completa e sollevare la porta sinistra per aprirla a 180°.
2. Rimuovere il ripiano mediano o superiore sollevandolo e staccandolo dai supporti ripiano. Tirare quindi il ripiano in avanti e inclinarlo verso il basso in posizione verticale. Ruotare il ripiano in obliquo ed estrarlo dal frigo.
3. Rimuovere il ripiano inferiore sollevandolo e staccandolo dai supporti ripiano. Tirare quindi il ripiano in avanti e inclinarlo verso l'alto in posizione verticale. Ruotare il ripiano in obliquo ed estrarlo dal frigo.
4. Per reinserire i ripiani mediano e superiore introdurli nel frigorifero tenendoli inclinati orizzontalmente con la parte anteriore verso il basso. Alzare quindi la parte anteriore e far scivolare il ripiano all'interno finché la parte posteriore poggia sui supporti. Abbassare la parte anteriore e assicurarsi che il ripiano sia in sede.
5. Per reinserire il ripiano inferiore introdurre il ripiano inclinato orizzontalmente con la parte anteriore verso l'alto. Abbassare quindi la parte anteriore e far scivolare il ripiano all'interno finché la parte posteriore poggia sui supporti. Abbassare la parte anteriore e assicurarsi che il ripiano sia in sede.

## Cassetto

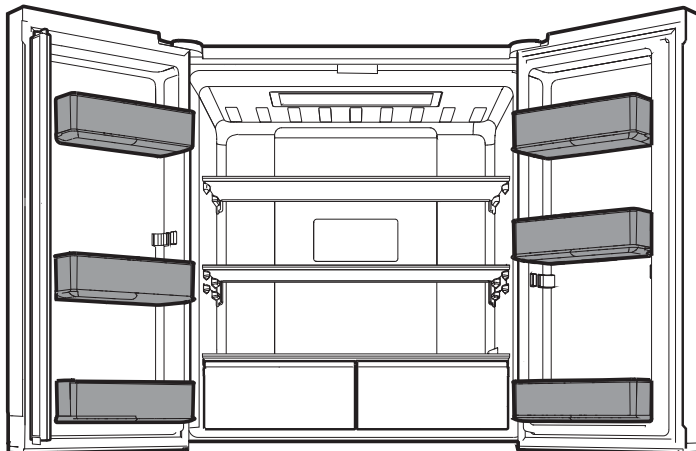


### Per rimuovere e reinserire i cassettei:

1. Afferrare la maniglia del cassetto ed estrarlo fino a quando si arresta. Sollevare il cassetto dalla guida inferiore.
2. Per riposizionare/reinserire il cassetto, poggiarlo sulla guida inferiore e spingerlo oltre il fermo finché si blocca in sede.

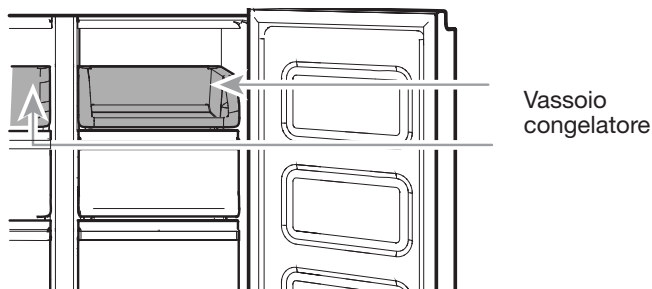
## Balconcini del frigorifero

I balconcini sulle porte del frigorifero sono regolabili, per rispondere alle singole esigenze.



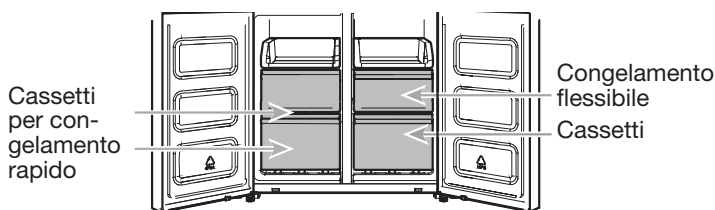
## Comparti del congelatore

### Vassoio congelatore



Il vassoio del congelatore è utile per accedere facilmente ai prodotti di uso frequente, congelare o semplicemente conservare avanzi o piccoli oggetti.

### Cassetti del congelatore



### Comparto di Congelamento rapido

- I cassetti di Congelamento rapido permettono di conservare comodamente oggetti di grande volume.
- L'opzione Congelamento rapido consente di conservare tutti gli alimenti surgelati in modo sicuro e trasparente.

### Comparto Congelamento flessibile (solo con WQ9 B1L, 6WM591NIHAS e WQ70900SXX)

Il comparto Congelamento flessibile consente di selezionare uno dei tre livelli di temperatura del congelatore:  $-7^{\circ}\text{C}$ ,  $-12^{\circ}\text{C}$  e  $-18^{\circ}\text{C}$  per garantire le migliori condizioni di conservazione per i diversi tipi di alimenti.

Per massimizzare la capacità del congelatore, è possibile rimuovere il cassetto per accedere al ripiano.

### Per rimuovere il cassetto superiore:

1. Afferrare la maniglia del cassetto ed estrarlo fino a quando si arresta. Sollevare il cassetto dalla guida inferiore.
2. Per riposizionare/reinserire il cassetto, poggiarlo sulla guida inferiore e spingerlo oltre il fermo del cassetto finché si ferma in sede.

### Ripiano del congelatore (solo con WQ9 E1L e WQ9 B1L)

Per ottimizzare la capacità del congelatore è possibile rimuovere il cassetto mediano per accedere al ripiano sottostante del congelatore. In questo modo è possibile caricare gli alimenti direttamente sul ripiano.

## Spiegazione dei segnali sonori

### Assegnazione tono

Nome tono	Esempi di utilizzo
Accensione	L'impianto di raffreddamento si attiva ogni volta che il prodotto si accende.
Pressione tasti	L'utente ha premuto un tasto valido.
Non valido (errore)	L'utente preme due o più pulsanti validi contemporaneamente. Interruzione del conto alla rovescia per i pulsanti da tenere premuti.
Operazione eseguita	Riconoscimento di entrata in qualsiasi modalità.
Uscita	Conferma dell'uscita da una modalità.
Avviso	Avviso di apertura porta.

Questa tabella serve solo come riferimento rapido. Per i dettagli consultare le sezioni corrispondenti. In caso di incongruenze vale quanto descritto nelle varie sezioni.

## Accessori

Per ordinare gli accessori, rivolgersi al rivenditore presso cui è stato acquistato il frigorifero.

## Servizio di assistenza

Prima di rivolgersi al servizio di assistenza consultare la sezione "Risoluzione dei problemi". Potrebbe farvi risparmiare il costo della chiamata all'assistenza. Se il problema non è risolvibile seguire le istruzioni seguenti.

### Se occorrono parti di ricambio

Per sapere dove trovare ricambi di fabbrica specifici localmente, rivolgersi al rivenditore presso cui è stato acquistato il frigorifero.

### Garanzia

Per informazioni sulla garanzia contattare il rivenditore presso cui è stato acquistato il frigorifero.

**Conservare questo manuale e la ricevuta d'acquisto insieme per futuro riferimento. Per usufruire del servizio di garanzia è necessario fornire la prova d'acquisto o la data di installazione.**

Scrivere le seguenti informazioni relative all'apparecchio per ricevere assistenza o manutenzione qualora ve ne fosse bisogno. Servirà il numero del modello e il numero di serie completi. Queste informazioni sono riportate nell'etichetta sulla parete interna del comparto frigorifero.

Nome rivenditore \_\_\_\_\_

Numero di serie \_\_\_\_\_

Indirizzo \_\_\_\_\_

Numero telefonico \_\_\_\_\_

Numero modello \_\_\_\_\_

Data di acquisto \_\_\_\_\_

# MANUTENZIONE DEL FRIGORIFERO

## Pulizia

### **AVVERTENZA**



#### Rischio di esplosione

Usare detergenti non infiammabili.

la mancata osservanza potrebbe essere causa di decesso, esplosione o incendio.

Tutte le sezioni Frigorifero, Congelatore e Congelamento flessibile (solo con WQ9 B1L, 6WM591NIHAS e WQ70900SXX ) si sbrinano automaticamente. Tuttavia, pulire tutte le sezioni circa una volta al mese per evitare la formazione di odori. In caso di versamento di liquidi, asciugare subito.

#### Pulizia dell'esterno

Consultare le informazioni per la pulizia esterna specifiche per il proprio modello.

#### Tipo 1 – Porta liscia

**IMPORTANTE:** i danni alla finitura liscia dovuti all'uso improprio di prodotti di pulizia o all'uso di detergenti non raccomandati non sono coperti dalla garanzia. Strumenti affilati o duri graffiano la finitura.

USARE	NON USARE
✓ Panno morbido, pulito	✗ Panni abrasivi ✗ Tovaglioli di carta o carta da giornale ✗ Tamponi in lana di acciaio
✓ Soluzione di acqua calda con detergente delicato	✗ Polveri o liquidi abrasivi ✗ Spray lavavetri ✗ Ammoniaca ✗ Detergenti a base di acido o aceto ✗ Detergenti per forni ✗ Liquidi infiammabili

**NOTA:** la carta da cucina graffia e può opacizzare il rivestimento chiaro della porta verniciata. Per evitare possibili danni usare solo panni morbidi e puliti per lucidare e pulire le porte.

#### Tipo 2 – Acciaio inox

##### IMPORTANTE:

- Usare esclusivamente i panni e i detergenti per acciaio consigliati. I danni alla finitura in acciaio inossidabile dovuti all'uso improprio di prodotti di pulizia o all'uso di detergenti non raccomandati non sono coperti dalla garanzia.
- Evitare di esporre gli elettrodomestici in acciaio inossidabile a elementi caustici o corrosivi come ambienti altamente salini, ad elevata condensa o umidità. I danni dovuti all'esposizione a questi elementi non sono coperti da garanzia.

USARE	NON USARE
✓ Panno morbido, pulito	✗ Panni abrasivi ✗ Tovaglioli di carta o carta da giornale ✗ Tamponi in lana di acciaio
✓ Soluzione di acqua calda con detergente delicato	✗ Polveri o liquidi abrasivi ✗ Ammoniaca ✗ Detergenti a base di agrumi ✗ Detergenti a base di acido o aceto ✗ Detergenti per forni
✓ Per sporco resistente usare esclusivamente un detergente per acciaio specifico per gli elettrodomestici. Per ordinare il detergente, rivolgersi al rivenditore presso cui è stato acquistato il frigorifero.	✗ Il detergente per acciaio è solo per le parti in acciaio. Non far entrare in contatto il detergente e lucidare per acciaio inox con parti in plastica come le finiture, i coperchi dell'erogatore o le guarnizioni delle porte.

#### Tipo 3 – Acciaio anti impronte

##### IMPORTANTE:

- Evitare di esporre gli elettrodomestici in acciaio inossidabile a elementi caustici o corrosivi come ambienti altamente salini, ad elevata condensa o umidità. I danni dovuti all'esposizione a questi elementi non sono coperti da garanzia.

USARE	NON USARE
✓ Panno morbido, pulito	✗ Panni abrasivi ✗ Tovaglioli di carta o carta da giornale ✗ Tamponi in lana di acciaio
✓ Soluzione di acqua calda con detergente delicato	✗ Polveri o liquidi abrasivi ✗ Spray lavavetri ✗ Ammoniaca ✗ Detergenti a base di acido o aceto ✗ Detergenti per forni ✗ Liquidi infiammabili

##### NOTE:

- In caso di contatto accidentale pulire le parti in plastica con una spugna e una soluzione di detersivo delicato e acqua calda. Asciugare bene con un panno morbido.
- Solo perché un detergente è liquido non significa che non sia non-abrasivo. Molti detergenti liquidi formulati per essere delicati sulle piastrelle e le superfici lisce, di fatto danneggiano l'acciaio inossidabile.
- L'acido citrico macchia in modo permanente l'acciaio.
- Per evitare di danneggiare la finitura in acciaio inox del frigorifero:

##### Evitare che queste sostanze rimangano sulla finitura:

- ✗ Senape
- ✗ Salse a base di agrumi
- ✗ Succo di pomodoro
- ✗ Prodotti a base di agrumi
- ✗ Sugo al pomodoro

---

## Pulizia dell'interno

---

1. Staccare la spina del frigorifero o scollegare l'alimentazione di rete.
2. Lavare a mano, sciacquare e asciugare tutte le parti rimovibili e le superfici interne. Usare una spugna pulita o un panno morbido e un detersivo delicato diluito in acqua calda.  
**NOTA:** non usare detersivi abrasivi o aggressivi come spray per vetri, polveri abrasive, liquidi infiammabili, cere per pulizia, detersivi concentrati, candeggina o detersivi contenenti derivati del petrolio sulle parti in plastica, l'interno, l'interno delle porte o le guarnizioni.
3. Inserire la spina del frigorifero o ricollegare l'alimentazione.

---

## Pulizia del condensatore

---

Questo frigorifero è dotato di condensatore a nastratura di serpentine preformate nei fianchi del mobile frigorifero. È normale sentire caldo su entrambi i lati.

---

## Luci

Le luci nei compartimenti frigo e congelatore sono a LED e non necessitano di sostituzione. Se quando si apre la porta le luci non si accendono, contattare il rivenditore presso cui è stato acquistato il frigorifero.

---

## Inutilizzo e trasporto

---

---

### Vacanze

---

**Se si decide di lasciare acceso il frigorifero mentre si è in vacanza:**

1. Consumare tutti i deperibili e congelare il resto.
2. Se il frigorifero è dotato di una macchina del ghiaccio automatica ed è collegato alla rete idrica, chiudere il rubinetto di alimentazione del frigorifero. Se il rubinetto non viene chiuso si possono causare danni alla proprietà.
3. Se si dispone di una macchina del ghiaccio automatica, spegnere la macchina del ghiaccio.
  - Portare su spento (O) l'interruttore della macchina del ghiaccio integrata nella porta.
4. Vuotare il cestello del ghiaccio.

**Se si decide di spegnere il frigorifero prima di partire:**

**NOTA:** Impostare il frigorifero in modalità Demo per il periodo in cui si sarà assenti. Vedere la sezione "Uso dei comandi".

1. Rimuovere tutti gli alimenti dal frigorifero.
2. Se il frigorifero è dotato di una macchina del ghiaccio automatica:
  - Chiudere il rubinetto di alimentazione dell'acqua alla macchina del ghiaccio almeno un giorno prima.
  - Quando viene prodotto l'ultimo carico di ghiaccio portare l'interruttore su spento (O) in modo che il display in alto all'interno del frigorifero si spenga, in base al modello.
3. Vuotare il cestello del ghiaccio.
4. Spegnere i comandi di temperatura. Vedere la sezione "Uso dei comandi".
5. Pulire il frigo, passarlo con un panno umido e asciugare bene.
6. Applicare con nastro di carta spessori di gomma o di legno nella parte superiore delle porte, in modo che restino aperte per far circolare l'aria. Si eviterà la formazione di muffa e cattivi odori.

---

## Trasloco

---

Se si deve trasportare il frigorifero in una nuova casa, seguire questa procedura per preparare il frigo al trasloco.

1. Se il frigorifero è dotato di una macchina del ghiaccio automatica:
  - Chiudere il rubinetto di alimentazione dell'acqua alla macchina del ghiaccio almeno un giorno prima.
  - Scollegare la linea dell'acqua dal retro del frigorifero.
  - Quando viene prodotto l'ultimo carico di ghiaccio portare l'interruttore su spento (O) sulla macchina del ghiaccio o sui comandi, a seconda del modello.
2. Togliere tutti gli alimenti dal frigorifero e radunare tutti i congelati in un imballo con ghiaccio secco.
3. Vuotare il cestello del ghiaccio.
4. Scollegare la spina del frigorifero.
5. Pulire, passare con un panno umido e asciugare bene.
6. Togliere tutte le parti rimovibili, incartarle accuratamente e fissarle insieme con nastro adesivo in modo che non si spostino e non traballino durante il trasloco.
7. In base al modello, sollevare la parte anteriore del frigorifero in modo che scorra meglio sui rulli o sollevare le viti di messa in piano in modo che non graffino il pavimento. Consultare le sezioni "Regolare le porte" o "Messa in piano del frigorifero e chiusura porte".
8. Fissare con nastro adesivo le porte chiuse e il cavo di alimentazione sul retro del frigorifero.

Una volta nella nuova casa, rimettere tutto a posto e fare riferimento alla sezione "Istruzioni di installazione" per preparare il frigorifero. Inoltre, se il frigorifero è dotato di una macchina del ghiaccio automatica, collegare la rete idrica al frigo.

# RISOLUZIONE DEI PROBLEMI

Provare le soluzioni indicate di seguito prima di contattare l'assistenza.

**⚠ AVVERTENZA**



**Rischio di folgorazione**

**Inserire la spina in una presa con messa a terra.**

**Non rimuovere il polo di messa a terra.**

**Non utilizzare un riduttore.**

**Non utilizzare prolunghe.**

**La mancata osservanza di queste istruzioni può essere causa di decesso, incendio o folgorazione.**

Problema	Cause possibili	Soluzione
<b>Funzionamento del frigorifero</b>		
Il frigorifero non funziona.	Controllare l'alimentazione elettrica.	Inserire il cavo di alimentazione in una presa con messa a terra.
		Non utilizzare prolunghe.
		Accertarsi che la presa sia alimentata. Collegare una lampada per verificare che la presa funzioni.
		Resettare l'interruttore di circuito scattato. Sostituire eventuali fusibili bruciati. <b>NOTA:</b> se il problema persiste rivolgersi a un elettricista.
	Controllare i comandi.	Assicurarsi che i comandi siano accesi. Vedere la sezione "Uso dei comandi".
	Nuova installazione.	Attendere 24 ore dopo l'installazione affinché il frigorifero si raffreddi completamente. <b>NOTA:</b> regolare i comandi di temperatura sui valori più bassi non serve a raffreddare più rapidamente nessun comparto.
	I comandi del frigorifero sono in modalità Demo (su alcuni modelli).	Se il frigorifero è in modalità Demo, il raffreddamento è disattivato e sul pannello comandi si illumina la dicitura "Demo". Per ulteriori informazioni vedere la sezione "Uso dei comandi".
Il motore sembra rimanere in funzione troppo a lungo.	Ventole e compressore ad alta efficienza.	I frigoriferi più grandi ed efficienti rimangono in funzione più a lungo a velocità più ridotte con velocità più efficienti dal punto di vista dei consumi.
	La temperatura ambiente o esterna è molto calda.	È normale che il frigorifero rimanga in funzione più a lungo in queste condizioni. Per prestazioni ottimali, posizionare il frigorifero in un ambiente interno con temperatura controllata. Consultare la sezione "Requisiti dell'ambiente di installazione".
	Di recente è stata aggiunta una grande quantità di alimenti.	L'introduzione di cibo a temperatura ambiente causa il funzionamento prolungato del frigorifero che deve raffreddare l'aria fino alla temperatura desiderata.
	Le porte vengono aperte troppo spesso o rimangono aperte troppo a lungo.	L'aria più calda che entra nel frigorifero fa sì che il motore di raffreddamento funzioni più a lungo. Aprire la porta meno di frequente.
	La porta del frigorifero o il cassetto del congelatore sono aperti.	Assicurarsi che il frigorifero sia in piano. Consultare la sezione "Messa in piano del frigorifero e chiusura porte". Evitare che alimenti o contenitori blocchino la porta.
	Il frigorifero è impostato su una temperatura troppo bassa.	Regolare il comando del frigorifero su un'impostazione meno fredda fino a raggiungere la temperatura desiderata.
	La guarnizione della porta o del cassetto è sporca, usurata o rotta.	Pulire o cambiare la guarnizione. Se vi sono perdite nella guarnizione della porta, il frigorifero rimane in funzione più a lungo per mantenere la temperatura desiderata.

# RISOLUZIONE DEI PROBLEMI

Provare le soluzioni indicate di seguito prima di contattare l'assistenza.

Problema	Cause possibili	Soluzione
Le luci non funzionano.	Il frigorifero è dotato di illuminazione a LED che non necessita di sostituzione.	Se il frigorifero riceve alimentazione e le luci non si accendono quando si apre una porta o il cassetto, rivolgersi al servizio di assistenza.
	Le porte sono rimaste aperte per più di 10 minuti.	Chiudere le porte e il cassetto per resettare il sistema, quindi aprirli per riattivare le luci.
	L'interruttore della porta non rileva l'apertura della porta.	Assicurarsi che non vi siano magneti o apparecchi elettronici entro 7,62 cm dal coperchio della cerniera.
L'interfaccia del controllo temperatura non si accende.	L'interfaccia del controllo temperatura è disattivata.	Premere un pulsante qualsiasi dell'interfaccia per riattivare l'interfaccia del controllo temperatura.
	I pulsanti dell'interfaccia del controllo temperatura non funzionano correttamente.	Provare ad accendere e spegnere il frigorifero per resettare i pulsanti. Se il problema persiste, rivolgersi ad servizio assistenza.
	L'interfaccia del controllo temperatura non riceve alimentazione.	Controllare il cablaggio della cerniera della porta.
Impossibile regolare l'impostazione dall' interfaccia di controllo temperatura.	La porta è aperta e viene attivato l'allarme laterale della porta.	Chiudere lo sportello.
<b>Rumore insolito</b>		
Per ascoltare i normali rumori emessi dal frigorifero, andare alla sezione Guida del prodotto/Domande frequenti del sito web della marca corrispondente e cercare i "rumori normali". Di seguito sono elencati alcuni rumori normali con le relative spiegazioni.		
Il frigorifero sembra rumoroso.	Il compressore del vostro nuovo frigorifero regola la temperatura in modo più efficiente utilizzando meno energia, di conseguenza il suo funzionamento è più silenzioso in generale.	La riduzione della rumorosità può far sì che si notino meglio altri rumori non familiari, ma che sono del tutto normali.
Il rumore del compressore si sente più a lungo del previsto.	Ventole e compressore ad alta efficienza.	I frigoriferi più grandi ed efficienti rimangono in funzione più a lungo a velocità più ridotte con velocità più efficienti dal punto di vista dei consumi.
Rumore pulsante/brusio	Le ventole/compressore si regolano per ottimizzare le prestazioni durante il normale funzionamento del compressore	È normale.
Scoppiettii	Contrazione/espansione delle pareti interne, in particolare durante il raffreddamento iniziale.	È normale.
Fischi/gocciolamento	Flusso del refrigerante o flusso dell'olio del compressore.	È normale.
Vibrazione	Il frigorifero potrebbe non essere stabile.	Regolare le viti di messa in piano e abbassare i piedini saldamente contro il pavimento. Consultare la sezione "Messa in piano del frigorifero e chiusura porte".
Rumori secchi/colpi	Movimento dei tubi dell'acqua contro il frigorifero o di oggetti poggiati sopra lo stesso.	Allontanare la lunghezza in eccesso dei tubi dell'acqua dal frigorifero, oppure fissare i tubi al frigorifero. Vedere la sezione "Collegamento all'alimentazione dell'acqua" o rimuovere gli oggetti dalla sommità del frigorifero.
Sfrigolio	Acqua che gocciola sulla resistenza durante il ciclo di sbrinamento.	È normale.
Acqua che scorre/gorgoglii	Si possono sentire quando il ghiaccio si scioglie durante il ciclo di sbrinamento e l'acqua scorre nella vaschetta di raccolta.	È normale.



# RISOLUZIONE DEI PROBLEMI

Provare le soluzioni indicate di seguito prima di contattare l'assistenza.

Problema	Cause possibili	Soluzione
<b>Temperatura e condensa</b>		
La temperatura è troppo alta.	Il frigorifero è appena stato installato.	Attendere 24 ore dopo l'installazione affinché il frigorifero si raffreddi completamente.
	I comandi non sono impostati correttamente per le condizioni ambientali.	Regolare il comandi su una temperatura più fredda. Controllare la temperatura dopo 24 ore. Vedere la sezione "Uso dei comandi".
	Le porte vengono aperte troppo spesso o non sono completamente chiuse. Lasciano entrare aria calda nel frigorifero.	Aprire le porte il meno possibile e chiuderle completamente.
	Sono stati introdotti molti alimenti di recente.	Attendere qualche ora perché il frigorifero torni alla sua temperatura normale.
	Il modo Demo è attivo.	Disattivare il modo Demo. Vedere la sezione "Uso dei comandi".
	Il modo Vacanze è attivo.	Disattivare il modo Vacanze. Vedere la sezione "Uso dei comandi".
La temperatura nel frigorifero/ cassetto frutta e verdura è troppo fredda.	Le prese d'aria del frigo sono bloccate.	Se la presa d'aria del frigo, che si trova al centro della parete posteriore interna del frigo, è coperta da oggetti poggiati direttamente davanti, il frigo si raffredda eccessivamente. Allontanare gli oggetti dalla presa d'aria.
	I comandi non sono impostati correttamente per le condizioni ambientali.	Regolare il comandi su una temperatura più calda. Controllare la temperatura dopo 24 ore. Vedere la sezione "Uso dei comandi".
	Il cestello del ghiaccio non è nella posizione corretta.	Vedere la sezione "Macchina del ghiaccio e cestello del ghiaccio".
La temperatura nel cassetto a temperatura controllata è troppo bassa.	Il comando non è impostato correttamente per gli elementi conservati nel cassetto.	Regolare l'impostazione della temperatura. Vedere la sezione "Uso dei comandi" in "Uso del frigorifero".
C'è accumulo di umidità all'interno. <b>NOTA:</b> L'accumulo di un po' di umidità è normale.	L'ambiente è umido.	Un ambiente umido contribuisce alla formazione di condensa.
	Le porte vengono aperte troppo spesso o non sono completamente chiuse. Lasciano entrare l'umidità nel frigorifero.	Aprire le porte il meno possibile e chiuderle bene.
	Le porte sono bloccate in posizione aperta.	Allontanare le confezioni di alimenti dalla porta.
	Un balconcino o un ripiano intralciano la chiusura.	Spingere il balconcino o il ripiano nella posizione corretta.
	Riporre i liquidi in recipienti aperti.	In questo caso aumenta l'umidità all'interno del frigorifero. Chiudere bene tutti i contenitori.
C'è formazione di brina/ghiaccio nel comparto congelatore.	La porta viene aperta spesso o è stata lasciata aperta.	Aprire la porta il meno possibile e chiuderla completamente dopo l'uso.
	La guarnizione della porta non è in buono stato.	Assicurarsi che le guarnizioni delle porte aderiscano completamente al vano frigorifero per fornire un isolamento adeguato.
	I comandi di temperatura non sono impostati correttamente.	Vedere la sezione "Uso dei comandi" per le impostazioni di temperatura consigliate.

# RISOLUZIONE DEI PROBLEMI

Provare le soluzioni indicate di seguito prima di contattare l'assistenza.

## **⚠ AVVERTENZA**



**Rischio di esplosione**

**Usare detergenti non infiammabili.**

**la mancata osservanza potrebbe essere causa di decesso, esplosione o incendio.**

Per visualizzare un'animazione che mostra come regolare e allineare le porte, far riferimento alla sezione Guida del prodotto/Domande frequenti del sito web della marca corrispondente e cercare "Chiusura porte e allineamento porte".

<b>Problema</b>	<b>Cause possibili</b>	<b>Soluzione</b>
<b>Porte</b>		
Le porte non si chiudono completamente.	La porta è bloccata in posizione aperta.	Allontanare le confezioni di alimenti dalla porta.
	Un balconcino o un ripiano intralciano la chiusura.	Spingere il balconcino o il ripiano nella posizione corretta.
	Installato di recente	Rimuovere tutti i materiali di imballaggio.
È difficile aprire le porte.	Le guarnizioni delle porte sono sporche o appiccicose.	Pulire le guarnizioni e le superfici di contatto con sapone delicato e acqua calda. Sciacquare e asciugare con un panno.
Le porte sembrano disassate.	Le porte devono essere allineate oppure il frigorifero deve essere messo in piano.	Se è necessario allineare le porte, rivolgersi all'assistenza.
Il frigorifero sembra instabile o viene avanti quando si aprono e chiudono le porte.	I piedini frenati del frigorifero non sono aderenti al pavimento.	Ruotare i due piedini frenati (uno su ciascun lato) in senso antiorario, in modo uguale, fino a quando aderiscono al pavimento. Consultare la sezione "Messa in piano del frigorifero e chiusura porte".

# Table des matières

<b>SÉCURITÉ DU RÉFRIGÉRATEUR.....</b>	<b>52</b>
Mise au rebut du vieux réfrigérateur .....	55
<b>PIÈCES ET CARACTÉRISTIQUES .....</b>	<b>56</b>
<b>INSTRUCTIONS D'INSTALLATION .....</b>	<b>57</b>
Pour commencer .....	57
Déballage du réfrigérateur .....	57
Exigences d'emplacement .....	58
Spécifications électriques.....	58
Retrait et réinstallation des portes du réfrigérateur.....	60
Enlever et replacer la porte du congélateur/Flexi Freeze.....	62
Nivellement du réfrigérateur .....	63
Utilisation des commandes .....	64
Éclairage du réfrigérateur.....	65
<b>UTILISATION DU RÉFRIGÉRATEUR .....</b>	<b>66</b>
Ouverture et fermeture des portes .....	66
Conservation des aliments .....	66
<b>TABLETTES, BALCONNETS ET TIROIRS .....</b>	<b>67</b>
Compartiments de rangement du congélateur .....	68
Référence audio.....	68
Accessoires.....	68
Assistance ou dépannage .....	68
<b>ENTRETIEN DU RÉFRIGÉRATEUR .....</b>	<b>69</b>
Nettoyage.....	69
Lampes .....	70
Précautions à prendre pour les vacances ou le déménagement....	70
<b>DÉPANNAGE .....</b>	<b>71</b>

# SÉCURITÉ DU RÉFRIGÉRATEUR

## Votre sécurité et celle des autres est très importante.

Nous donnons de nombreux messages de sécurité importants dans ce manuel et sur votre appareil ménager. Assurez-vous de toujours lire tous les messages de sécurité et de vous y conformer.



Voici le symbole d'alerte de sécurité.

Ce symbole d'alerte de sécurité vous signale les dangers potentiels de décès et de blessures graves à vous et à d'autres.

Tous les messages de sécurité suivront le symbole d'alerte de sécurité et le mot "DANGER" ou "AVERTISSEMENT". Ces mots signifient :

**⚠ DANGER**

**Risque possible de décès ou de blessure grave si vous ne suivez pas immédiatement les instructions.**

**⚠ AVERTISSEMENT**

**Risque possible de décès ou de blessure grave si vous ne suivez pas les instructions.**

Tous les messages de sécurité vous diront quel est le danger potentiel et vous disent comment réduire le risque de blessure et ce qui peut se produire en cas de non-respect des instructions.

## INSTRUCTIONS DE SÉCURITÉ

Lire ces instructions de sécurité avant d'utiliser l'appareil. Conservez ces instructions pour référence ultérieure. Ces instructions et l'appareil lui-même fournissent d'importants avertissements de sécurité qui doivent être respectés en tout temps. Le fabricant décline toute responsabilité si ces instructions de sécurité ne sont pas respectées et en cas de mauvaise utilisation du produit ou de mauvais réglage des commandes.

⚠ Les très jeunes enfants (0 à 3 ans) devraient être tenus loin de l'appareil. Les jeunes enfants (3 à 8 ans) devraient être tenus loin de l'appareil, sauf s'ils sont supervisés en tout temps. Les enfants de 8 ans et plus, ainsi que les personnes à capacités physiques, sensorielles ou mentales réduites, ou possédant un manque d'expérience et de connaissances ne peuvent utiliser cet appareil que s'ils sont supervisés ou qu'ils ont reçu des instructions concernant l'utilisation sécuritaire de l'appareil et comprennent les risques liés à l'utilisation de l'appareil. Les enfants ne doivent pas jouer avec l'appareil. Le nettoyage et l'entretien ne doivent pas être effectués par des enfants laissés sans supervision.

### UTILISATION PERMISE

⚠ MISE EN GARDE : Cet appareil n'est pas conçu pour être utilisé à l'aide d'un dispositif de commutation externe comme une minuterie ni par un système de commande à distance.

⚠ Cet appareil est destiné à un usage domestique et à d'autres usages similaires comme : coins cuisine réservés au personnel des boutiques, des bureaux et d'autres environnements professionnels, maisons d'hôtes, chambres d'hôtel, motels, gîtes touristiques et autres installations d'hébergement.

⚠ Cet appareil n'est pas conçu pour une utilisation professionnelle. Ne pas utiliser l'appareil à l'extérieur.

⚠ Cet appareil est conçu pour être utilisé dans un endroit où la température se trouve dans les limites des plages suivantes, et selon la classe climatique indiquée sur la plaque signalétique. Il est possible que l'appareil ne fonctionne pas correctement s'il est resté exposé pendant longtemps à une température en dehors de la plage indiquée.

Classe climatique T (°C)

SN : De 10 à 32 °C; N : De 16 à 32 °C

ST : De 16 à 38 °C; T : De 16 à 43 °C

⚠ Cet appareil ne contient pas de CFC. Le circuit de ce réfrigérateur contient du R600a (HC). Appareils contenant de l'isobutane (R600a) : L'isobutane est un gaz naturel sans impact pour l'environnement, mais inflammable. Il faut donc s'assurer que les tubes du circuit réfrigérant de l'appareil ne sont pas endommagés, particulièrement lorsqu'on vide le circuit réfrigérant.

⚠ AVERTISSEMENT : Ne pas endommager les tubes du circuit réfrigérant de l'appareil.

## IMPORTANT : À LIRE ET À RESPECTER

⚠ AVERTISSEMENT : Garder les événements à l'intérieur de l'enceinte de l'appareil ou de la structure encastrée exempte d'obstacles.

⚠ AVERTISSEMENT : Ne pas employer de procédé mécanique, électrique ou chimique autre que celui recommandé par le fabricant pour accélérer le processus de décongélation.

⚠ AVERTISSEMENT : Ne pas utiliser ou placer de dispositif électrique à l'intérieur des compartiments de l'appareil si ce dispositif ne correspond pas au type de dispositif expressément autorisé par le fabricant.

⚠ AVERTISSEMENT : Les machines à glaçons ou distributeurs d'eau automatiques dont le raccordement à l'alimentation en eau est indirect doivent être approvisionnés uniquement en eau potable.

⚠ AVERTISSEMENT : Les machines à glaçons et distributeurs d'eau doivent être raccordés uniquement à une arrivée d'eau potable dont la pression est comprise entre 0,17 et 0,81 MPa (1,7 et 8,1 bars).

⚠ Ne pas entreposer de substances explosives comme des aérosols avec agent propulseur inflammable dans cet appareil.

⚠ Ne pas avaler le contenu (non toxique) des blocs réfrigérants (offerts sur certains modèles). Ne pas manger de glaçons ou sucettes glacées immédiatement après les avoir retirés du congélateur : elles peuvent causer des brûlures dues au froid.

⚠ Pour les produits conçus pour utiliser un filtre à air situé dans un couvercle de ventilateur accessible, le filtre doit toujours être en place lorsque le réfrigérateur est alimenté.

⚠ Ne pas ranger de contenants en verre contenant des liquides dans le compartiment de congélation puisqu'ils pourraient éclater. Ne pas boucher le ventilateur (si inclus) avec des alimentaires. Après avoir rangé les aliments, vérifier que les portes de compartiments ferment bien, particulièrement la porte du congélateur.

⚠ Les joints endommagés doivent être remplacés le plus vite possible.

⚠ Utiliser le compartiment de réfrigération uniquement pour la conservation d'aliments frais et le compartiment de congélation pour la conservation d'aliments surgelés, la congélation d'aliments frais et la fabrication de glaçons.

⚠ Éviter de conserver des aliments non emballés au contact direct de surfaces internes des compartiments de réfrigération et de congélation. Les appareils peuvent être munis de compartiments spécialisés (compartiment à aliments frais, boîte à zéro degré, etc.). Sauf si mentionné dans le livret spécifique du produit, ces compartiments peuvent être enlevés sans nuire au rendement de l'appareil.

## INSTALLATION

⚠ Cet appareil doit être déplacé et installé par deux personnes ou plus – risque de blessures. Utiliser des gants de protection pour déballer et installer le produit – risque de coupure.

⚠ L'installation, incluant le raccordement à l'entrée d'eau (au besoin) et les connexions électriques, ainsi que les réparations doivent être effectuées par un technicien qualifié. Ne pas réparer ou remplacer une pièce de l'appareil si ce n'est pas spécifiquement indiqué dans le guide d'utilisation. Garder les enfants loin de la zone d'installation.

Après avoir déballé l'appareil, s'assurer qu'il n'a pas été endommagé par le transport. En cas de problème, communiquer avec le fournisseur de service après-vente le plus près de chez vous. Une fois l'appareil installé, le matériel d'emballage à recycler (plastique, pièces en polystyrène, etc.) doit être placé hors de la portée des enfants – risque de suffocation. L'appareil doit être débranché de l'alimentation électrique avant toute installation – risque de décharge électrique. Pendant l'installation s'assurer que l'appareil n'endommage pas le cordon d'alimentation – risque d'incendie et de décharge électrique. Ne mettre l'appareil en marche qu'une fois l'installation terminée.

⚠ Faire attention à ne pas endommager le plancher (p. ex., parquet) lorsqu'on déplace l'appareil. Installer l'appareil sur un plancher ou une surface qui pourra en supporter le poids et dans un espace adapté à ses dimensions et à l'utilisation qui en est faite. S'assurer que l'appareil n'est pas situé près d'une source de chaleur et que les quatre pieds sont stables et bien à plat au sol, ajuster les pieds au besoin et vérifier que l'appareil est bien au niveau en utilisant un niveau à bulle d'air. Attendre au moins deux heures avant de mettre en marche l'appareil afin de s'assurer que le circuit réfrigérant est parfaitement fonctionnel.

⚠ Pour garantir une ventilation adéquate, laisser un espace de chaque côté et au-dessus de l'appareil. La distance entre le dos de l'appareil et le mur arrière devrait être de 50 mm pour éviter l'accès à des surfaces chaudes. Un espace inférieur augmentera la consommation d'électricité de l'appareil.

⚠ **AVERTISSEMENT** : Pour éviter un danger provoqué par l'instabilité, le positionnement ou l'arrimage de l'appareil, respecter les instructions du fabricant. Il est interdit de placer le réfrigérateur de telle manière que le tuyau d'entrée de gaz d'une cuisinière, les conduits d'eau ou de gaz en métal ou les fils électriques entrent en contact avec le dos du réfrigérateur (serpentons du condensateur).

⚠ S'il est nécessaire de remplacer la porte, communiquer avec le centre de service technique.

## AVERTISSEMENTS – ÉLECTRICITÉ

⚠ Il doit être possible de couper l'alimentation électrique de l'appareil en le débranchant si la prise est accessible ou à l'aide d'un interrupteur bipolaire accessible monté en amont de la prise secteur en conformité avec les normes de sécurité nationales. L'appareil doit être mis à la terre en conformité avec les normes de sécurité nationales.

⚠ Ne pas utiliser une extension, un parasurtenseur ou un adaptateur. Les composants électriques ne doivent pas être accessibles par l'utilisateur après l'installation. Ne pas utiliser l'appareil lorsqu'on est mouillé ou pieds nus. Ne pas utiliser ce produit si la fiche ou le cordon est endommagé, s'il ne fonctionne pas correctement ou s'il a subi une chute ou a été endommagé de quelque façon que ce soit.

⚠ Si le cordon d'alimentation est endommagé, il doit être remplacé par un cordon identique par le fabricant, son agent de réparation ou toute autre personne qualifiée afin d'éviter tout danger – risque de décharge électrique.

⚠ **AVERTISSEMENT** : Lors du positionnement de l'appareil, s'assurer que le cordon d'alimentation n'est pas coincé ou endommagé.

⚠ **AVERTISSEMENT** : Ne pas installer un parasurtenseur ou un bloc d'alimentation portatif derrière l'appareil.

## NETTOYAGE ET ENTRETIEN

⚠ **AVERTISSEMENT** : S'assurer que l'appareil est arrêté et que l'alimentation électrique est débranchée avant d'effectuer tout entretien ; ne jamais utiliser d'équipement de nettoyage à la vapeur – risque de décharge électrique.

⚠ Ne pas utiliser de nettoyeurs puissants ou abrasifs tels que les nettoyeurs à vitre en atomiseurs, nettoyeurs à récurer, liquides inflammables, cires nettoyantes, détergents concentrés, agents de blanchiment ou nettoyeurs contenant du pétrole sur les pièces en plastique, les garnitures intérieures et garnitures de portes ou sur les joints de portes. Ne pas utiliser d'essuie-tout, de tampons à récurer ou d'autres outils de nettoyage abrasifs.


## RECYCLAGE DES MATÉRIAUX D'EMBALLAGE

Les matériaux d'emballage sont entièrement recyclables et sont munis des symboles de recyclage ♻.

Les différents matériaux d'emballage doivent donc être mis au recyclage de façon responsable et en respectant les réglementations locales en matière de recyclage.

## MISE AUX REBUTS DES APPAREILS MÉNAGERS

Cet appareil est fabriqué de matériaux recyclables et réutilisables. Jeter l'appareil conformément aux règlements locaux en matière de déchets. Pour plus d'informations sur le traitement, la récupération et le recyclage des appareils ménagers électriques, contacter le bureau local pertinent, le service de traitement des déchets domestiques ou la boutique dans laquelle l'appareil a été acheté. Cet appareil est conforme à la directive européenne 2012/19/EU relative aux appareils électriques et électroniques usagés (WEEE). En s'assurant que cet appareil est mis aux rebuts de la bonne façon, on s'assure de prévenir les conséquences néfastes sur l'environnement et la santé humaine.

Le symbole  situé sur le produit ou les documents joints indique qu'il ne doit pas être considéré comme un déchet domestique, mais qu'il doit être transféré vers un centre de traitement des déchets approprié et conçu pour le recyclage des appareils électriques et électroniques.

### MESSAGE ÉCONERGIQUE

Installer l'appareil dans une pièce sèche et bien aérée, loin de toute source de chaleur (p. ex. : radiateur, cuiseur, etc.) ou des rayons directs du soleil. Au besoin, utiliser un panneau isolant.

Pour garantir une bonne ventilation, suivre les instructions d'installation. Une mauvaise ventilation derrière le produit augmente la consommation d'énergie et réduit l'efficacité de refroidissement.

L'ouverture fréquente de la porte peut causer une augmentation de la consommation électrique. La température interne de l'appareil et la consommation d'énergie peuvent aussi être affectées par la température ambiante, ainsi que par l'emplacement de l'appareil. Le réglage de la température devrait être effectué en considérant ces facteurs.

Réduire le plus possible les ouvertures de porte.

Placer les aliments à décongeler dans le réfrigérateur. La température des aliments congelés refroidit les aliments dans le réfrigérateur. Laisser les boissons et aliments refroidir avant de les placer dans l'appareil.

Le positionnement des tablettes dans le réfrigérateur n'a aucune incidence sur l'utilisation efficace de la consommation d'énergie. Les aliments devraient être placés sur les tablettes de façon à permettre une bonne circulation de l'air (les aliments ne devraient pas se toucher et un espace devrait être conservé entre les aliments et la paroi arrière). Il est possible d'augmenter la capacité de stockage d'aliments congelés en enlevant les paniers et, si elle est présente, la tablette Stop Frost.

Ne pas s'en faire avec les bruits du compresseur, ceux-ci sont normaux et décrits dans le guide rapide du produit.



## Mise au rebut du vieux réfrigérateur

### AVERTISSEMENT

#### Risque de suffoquer

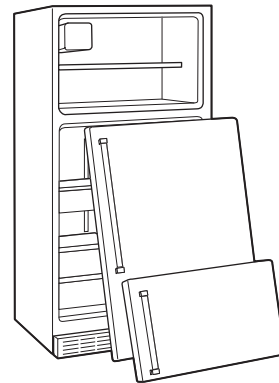
**Enlever les portes de votre vieux réfrigérateur.**

**Le non-respect de cette instruction peut causer un décès ou des lésions cérébrales.**

**IMPORTANT :** Le risque qu'un enfant puisse se retrouver coincé et suffoquer n'est pas chose du passé. Les réfrigérateurs jetés ou abandonnés restent dangereux, même s'ils ne restent à l'extérieur que pour "quelques jours seulement". Si l'ancien réfrigérateur doit être mis au rebut, suivre les instructions suivantes afin d'aider à éviter les accidents.

#### Avant de jeter l'ancien réfrigérateur ou congélateur :

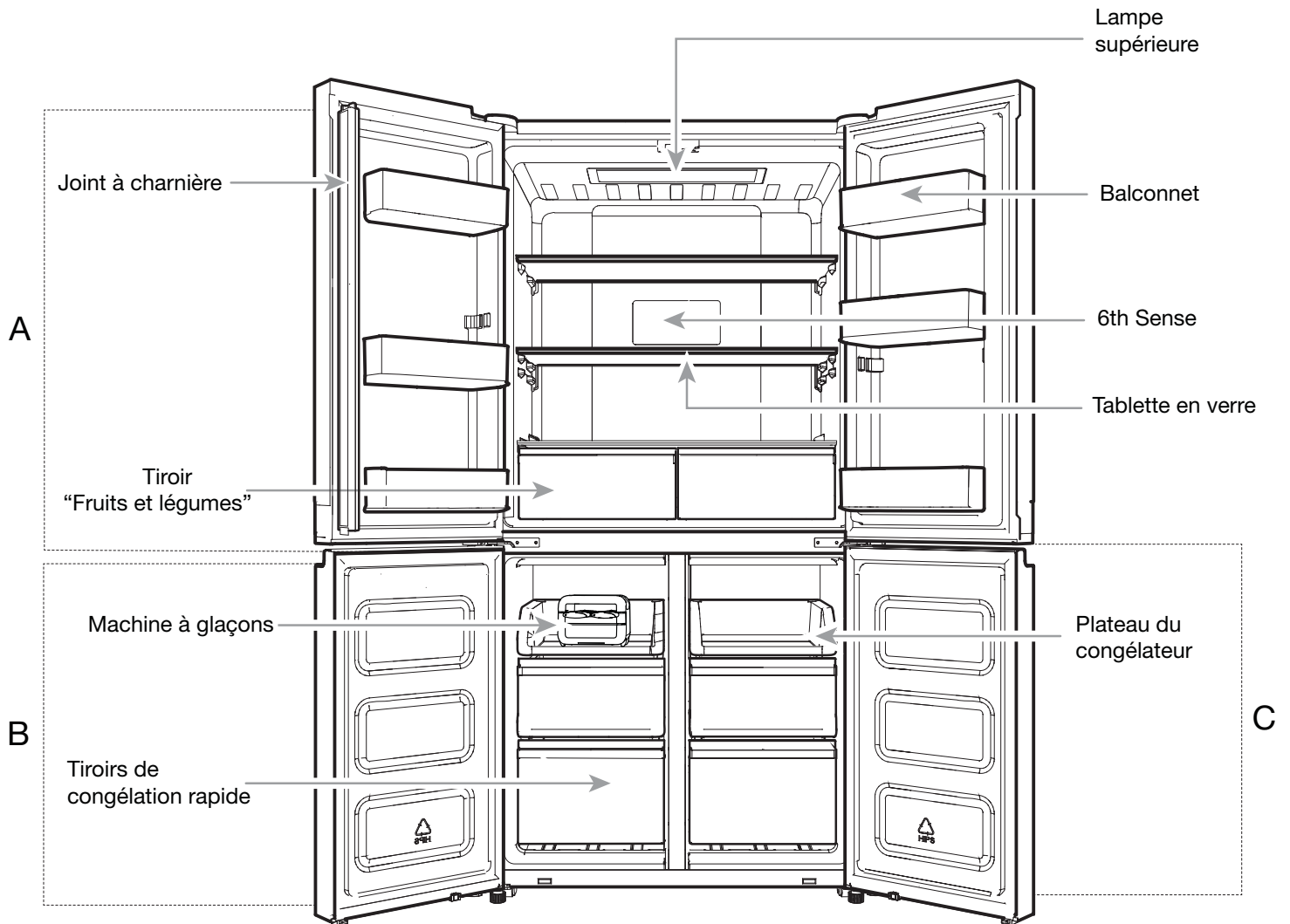
- Enlever les portes.
- Laisser les tablettes en place de sorte que les enfants ne puissent pas y pénétrer facilement.



#### Renseignements importants à propos de la mise au rebut des fluides réfrigérants :

Mettre le réfrigérateur au rebut conformément à la réglementation fédérale et locale. Les fluides réfrigérants doivent être évacués par un technicien certifié et agréé par l'EPA conformément aux procédures établies.

# PIÈCES ET CARACTÉRISTIQUES



- A . Réfrigérateur
- B . Congélateur
- C . Flexi Freeze (seulement sur les modèles WQ9 B1L, 6WM591NIHAS et WQ70900SXX)



# INSTRUCTIONS D'INSTALLATION

## Pour commencer

### LISTE DE VÉRIFICATION POUR L'INSTALLATION

#### ✓ Alimentation électrique

## ⚠ AVERTISSEMENT



### Risque de choc électrique

**Brancher sur une prise de terre (reliée à la masse).**

**Ne pas retirer la broche de terre.**

**Ne pas utiliser d'adaptateur.**

**Ne pas utiliser de rallonge.**

**Le non-respect de ces instructions peut entraîner la mort, un incendie ou un choc électrique.**

- Brancher le réfrigérateur dans une prise avec mise à la terre.

#### ✓ Portes

- Si les portes doivent être retirées lors de l'installation, se reporter aux sections "Retirer et replacer les portes" et "Retirer et replacer l'avant de la porte du congélateur".
- Les portes ferment complètement hermétiquement.
- Le réfrigérateur est de niveau. Ajuster les pieds de nivellement de façon à ce qu'ils soient en contact avec le plancher.
- Les portes sont alignées à leurs rives supérieures. (Utiliser la fonction d'ajustement de la porte au besoin.)

#### ✓ Dernières vérifications

- Retirer tout l'emballage d'expédition.
- Régler les commandes de température aux réglages recommandés.
- Conserver les instructions et autres documents éventuels.
- Pour obtenir plus d'aide, enregistrer le produit au [www.whirlpool.eu/register](http://www.whirlpool.eu/register).

## Déballage du réfrigérateur

## ⚠ AVERTISSEMENT

### Risque du poids excessif

**Utiliser deux ou plus de personnes pour déplacer et installer le réfrigérateur.**

**Le non-respect de cette instruction peut causer une blessure au dos ou d'autre blessure.**

### Livraison du réfrigérateur

Une ouverture de porte minimum de 838 mm (33 po) est nécessaire. Si l'ouverture est inférieure ou égale à 914 mm (36 po), il faudra enlever les portes, tiroirs et charnières.

Pousser le chariot avec le réfrigérateur de côté pour toutes les ouvertures de porte.

### Déplacement de votre réfrigérateur :

Votre réfrigérateur est lourd. Lors du déplacement de votre réfrigérateur pour le nettoyage ou un entretien ou réparation, veiller à recouvrir le plancher avec du carton ou un panneau de fibres dures pour éviter qu'il ne subisse tout dommage. Toujours tirer le réfrigérateur tout droit lors de son déplacement. Ne pas incliner le réfrigérateur d'un côté ou de l'autre ni le "faire marcher" en essayant de le déplacer car le plancher pourrait être endommagé.

### Retrait des matériaux d'emballage

- Enlever les résidus de ruban adhésif et de colle des surfaces du réfrigérateur avant de le mettre en marche. Frotter une petite quantité de détergent liquide à vaisselle sur l'adhésif avec les doigts. Rincer à l'eau tiède et sécher.
- Ne pas utiliser d'instruments coupants, d'alcool à friction, de liquides inflammables ou de nettoyants abrasifs pour enlever le ruban adhésif ou la colle. Ces produits peuvent endommager la surface du réfrigérateur.
- Éliminer/recycler tous les matériaux d'emballage.

### Nettoyage avant utilisation

Après avoir enlevé tous les matériaux d'emballage, nettoyer l'intérieur du réfrigérateur avant de l'utiliser. Voir les instructions de nettoyage dans la section "Entretien du réfrigérateur".

### Importants renseignements à savoir au sujet des tablettes et des couvercles en verre :

Ne pas nettoyer les tablettes ou couvercles en verre avec de l'eau tiède quand ils sont froids. Les tablettes et les couvercles peuvent se briser s'ils sont exposés à des changements soudains de température ou à un impact tel que coup brusque. Le verre trempé est conçu pour éclater en d'innombrables pièces minuscules. Ceci est normal. Les tablettes et les couvercles en verre sont lourds. Les saisir à deux mains lors de leur dépose afin d'éviter de les faire tomber.

## Exigences d'emplacement

### ⚠️ AVERTISSEMENT



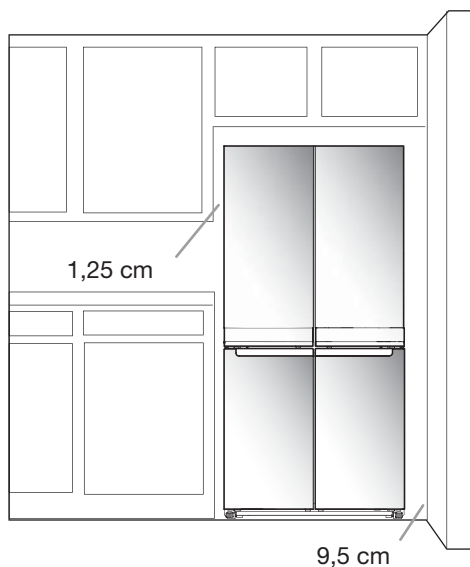
#### Risque d'explosion

Garder les matériaux et les vapeurs inflammables, telle que l'essence, loin du réfrigérateur.

Le non-respect de cette instruction peut causer un décès, une explosion ou un incendie.

Pour obtenir une aération appropriée pour ce réfrigérateur, laisser un espace de 1,25 cm de chaque côté et au sommet. Laisser un espace de 5 cm derrière le réfrigérateur. Si le réfrigérateur comporte une machine à glaçons, s'assurer qu'un espace additionnel est prévu à l'arrière pour permettre les raccordements des conduits d'eau. En cas d'installation du réfrigérateur près d'un mur fixe, laisser un minimum de 9,5 cm entre le réfrigérateur et le mur pour permettre à la porte de s'ouvrir librement.

**REMARQUE :** Ce réfrigérateur est conçu pour être utilisé dans un endroit où la température est comprise entre un minimum de 10 °C et un maximum de 43 °C. La plage de température ambiante idéale pour un rendement optimal est comprise entre 15 °C et 32 °C. Il est recommandé de ne pas installer le réfrigérateur près d'une source de chaleur comme un four ou un radiateur.



## Spécifications électriques

### ⚠️ AVERTISSEMENT



#### Risque de choc électrique

Brancher sur une prise de terre (reliée à la masse).

Ne pas retirer la broche de terre.

Ne pas utiliser d'adaptateur.

Ne pas utiliser de rallonge.

Le non-respect de ces instructions peut entraîner la mort, un incendie ou un choc électrique.

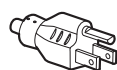
**IMPORTANT :** L'installation et le raccordement électrique doivent être réalisés par un technicien qualifié, conformément aux instructions du fabricant et aux règlements de sécurité locaux.

- Le réfrigérateur est prévu pour fonctionner sur un circuit distinct de 220-240 V à 10 A et 50/60 Hz.
- S'assurer que la tension indiquée sur la plaque signalétique correspond à celle de votre domicile.
- Il doit être possible de couper l'alimentation électrique de l'appareil en débranchant sa prise ou au moyen d'un interrupteur bipolaire monté en amont de la prise secteur.
- Si le cordon d'alimentation est endommagé, il doit être remplacé par le fabricant, son agent de réparation ou toute autre personne qualifiée afin d'éviter tout danger.

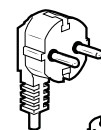
Avant de placer le réfrigérateur à son emplacement final, il est important de s'assurer d'avoir la connexion électrique appropriée :

#### Méthode recommandée de mise à la terre

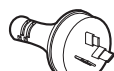
Alimentation de 220-240 V CA à 50 Hz, 220 V CA à 60 Hz ou 230/240 V CA à 50 Hz seulement avec fusible de 10 A et mise à la terre requis.



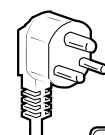
Type B



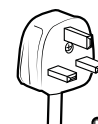
Type E et F



Type I



Type M



Type G

#### Australie et Nouvelle-Zélande :

Ce nouvel appareil ménager a été spécialement conçu pour satisfaire à toutes les normes et conditions australiennes.

Certaines annotations dans les instructions d'installation peuvent faire référence aux spécifications électriques d'autres pays ; nous attirons donc l'attention de l'utilisateur sur ces remarques.

Votre appareil doit être branché à une prise avec mise à la terre de 230/240 V CA, 50 Hz, 10 A seulement.

## Exigences électriques (Grande-Bretagne et Irlande seulement)

**IMPORTANT :** Ce réfrigérateur doit être relié à la terre.

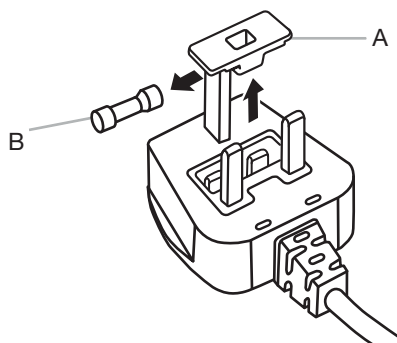
### Remplacer un fusible

Le cordon d'alimentation du réfrigérateur est muni d'une fiche BS1363A avec fusible de 13 A, pour remplacer un fusible dans ce type de fiche, utiliser un fusible approuvé A.S.T.A. de type BS 1362 et suivre la procédure suivante :

1. Enlever le couvercle du fusible (A) et le fusible (B).
2. Placer le fusible 13 A de remplacement sur le couvercle de fusible.
3. Placer le fusible et son couvercle sur la fiche.

**IMPORTANT :** Le couvercle de fusible doit être replacé lorsqu'on remplace un fusible. Si on perd le couvercle, la fiche ne peut être utilisée avant qu'un couvercle de remplacement soit utilisé.

Un bon couvercle de remplacement sera identifié par une insertion de couleur ou le nom de la couleur gravé en relief à la base de la fiche. Des couvercles de fusible de remplacement sont offerts chez votre marchand de fournitures électriques local.



A. Couvercle du fusible  
B. Fusible

### Pour la république d'Irlande (seulement) :

Les renseignements concernant la Grande-Bretagne s'appliquent généralement, mais un troisième type de fiche et prise avec 2 broches et mise à la terre sur le côté est aussi utilisé.

### Fiche/prise (pour les deux pays) :

Si la prise et la fiche sont de différents types, communiquer avec le service à la clientèle pour obtenir plus d'instructions. Ne pas essayer de changer la fiche vous-même. Cette modification doit être effectuée par un technicien qualifié en respectant les instructions du fabricant et les réglementations de sécurité standard actuelles.

## Température

Ce réfrigérateur est conçu pour être utilisé dans un endroit où la température se trouve dans les limites des plages suivantes, et selon la classe climatique indiquée sur la plaque signalétique. Il est possible que le réfrigérateur ne fonctionne pas correctement s'il est resté exposé pendant longtemps à une température en dehors de la plage indiquée.

**REMARQUE :** Il est recommandé de ne pas installer le réfrigérateur près d'une source de chaleur comme un four ou un radiateur.

Classe climatique	Ambiant T (°C)	Ambiant T (°F)
SN	De 10 à 32	De 50 à 90
N	De 16 à 32	De 61 à 90
ST	De 16 à 38	De 61 à 100
T	De 16 à 43	De 61 à 110

## Retrait et réinstallation des portes du réfrigérateur

**REMARQUE :** En fonction de la largeur de l'ouverture de la porte, il faudra peut-être retirer les portes du réfrigérateur pour pouvoir introduire le réfrigérateur dans le domicile. Si les portes doivent être retirées, consulter les instructions suivantes.

**IMPORTANT :** Si le réfrigérateur est déjà installé et qu'il doit être déplacé à l'extérieur de la maison, fermer les commandes du réfrigérateur avant de commencer à enlever les portes. Débrancher le réfrigérateur ou déconnecter la source de courant électrique. Retirer les aliments et les balconnets des portes du réfrigérateur.

Rassembler les outils nécessaires et lire toutes les instructions avant de retirer les portes.

**OUTILS REQUIS :** Clés à douille de 5 mm et 6 mm, tournevis cruciforme no 2.

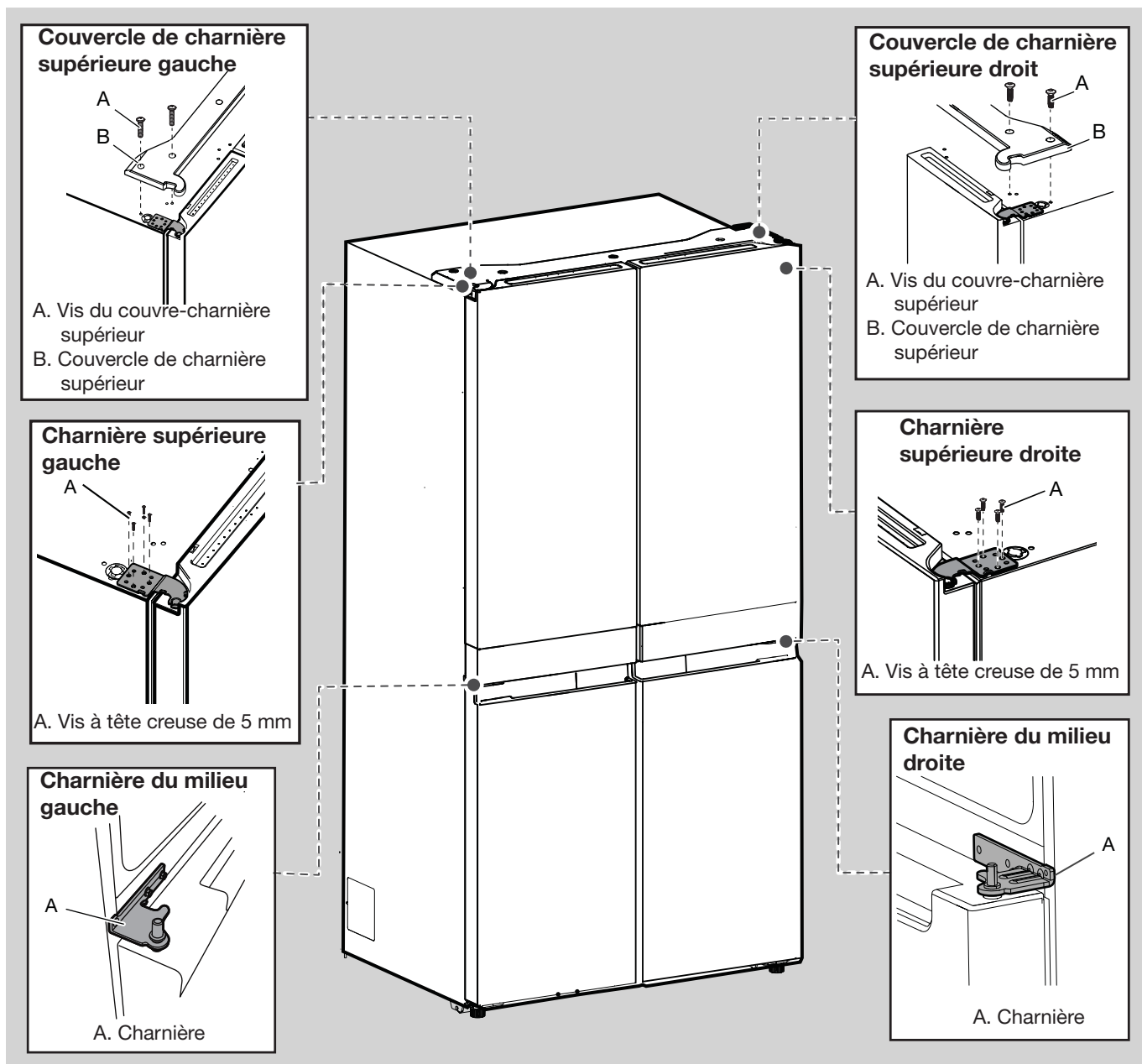


### ⚠ AVERTISSEMENT

Risque de choc électrique

Déconnecter la source de courant électrique avant d'enlever les portes.

Le non-respect de cette instruction peut causer un décès ou un choc électrique.



## ⚠️ AVERTISSEMENT

### Risque du poids excessif

Utiliser deux ou plus de personnes pour soulever la porte du réfrigérateur.

Le non-respect de cette instruction peut causer une blessure au dos ou d'autre blessure.

### Retrait des portes du réfrigérateur

## ⚠️ AVERTISSEMENT



### Risque de choc électrique

Déconnecter la source de courant électrique avant d'enlever les portes.

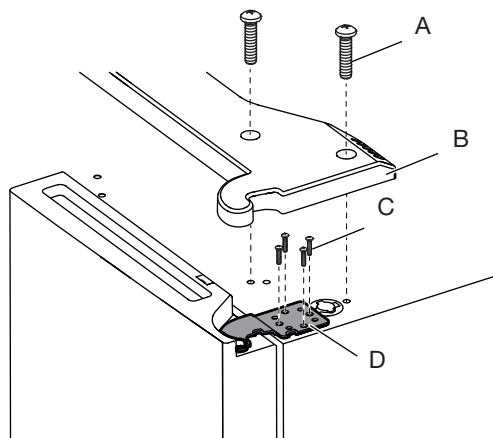
Le non-respect de cette instruction peut causer un décès ou un choc électrique.

### Retrait de la porte de droite

1. Débrancher le réfrigérateur ou déconnecter la source de courant électrique.
2. Laisser les portes du réfrigérateur fermées jusqu'au moment de les détacher de la caisse.

**REMARQUE :** Prévoir un support supplémentaire pour la porte du réfrigérateur pendant le retrait des charnières. La force d'attraction des aimants de la porte ne suffit pas à la maintenir en place pendant la manutention.

3. À l'aide d'un tournevis cruciforme, retirer le couvre-charnière de la charnière supérieure.
4. À l'aide de la clé à douille de 5 mm, retirer les quatre vis de la charnière supérieure et les garder de côté.



A. Vis du couvre-charnière supérieur

B. Couvre-charnière supérieur

C. Vis à tête creuse de 5 mm

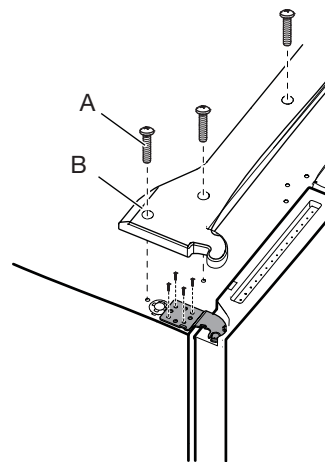
D. Charnière supérieure

5. Soulever la porte du réfrigérateur de l'axe de la charnière du centre. La charnière supérieure se dégage en même temps que la porte.

### Retrait de la porte de gauche

**IMPORTANT :** Le câblage de l'IU passe par la charnière de la porte de gauche, il doit être déconnecté avant de retirer la porte.

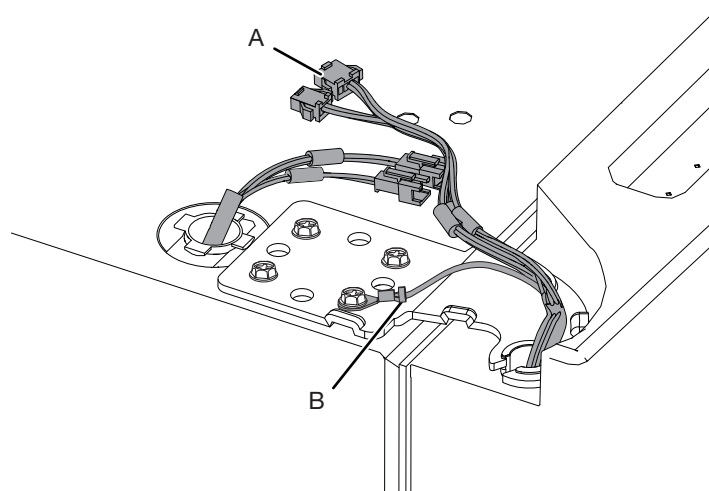
1. À l'aide d'un tournevis cruciforme, retirer le couvre-charnière de la charnière supérieure.



A. Vis du couvre-charnière supérieur

B. Couvre-charnière supérieur

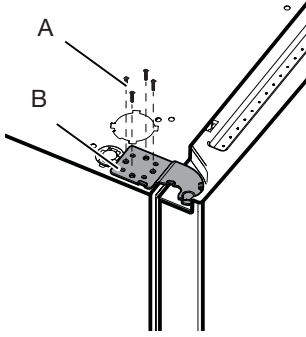
2. Débrancher les deux fiches de câblage situées sur le dessus de la charnière de la porte.
  - Saisir chaque côté des fiches de câblage. Avec le pouce gauche, appuyer sur le loquet pour le dégager et écarter les deux sections des fiches.



A. Fiche de câblage

B. Connecteur de mise à terre

- À l'aide de la clé à douille de 5 mm, retirer les quatre vis internes de la charnière et les garder de côté.



A. Vis à tête creuse de 5 mm  
B. Charnière supérieure

**REMARQUE :** Prévoir un support supplémentaire pour la porte du réfrigérateur pendant le retrait des charnières. La force d'attraction des aimants de la porte ne suffit pas à la maintenir en place pendant la manutention.

- Soulever la porte du réfrigérateur de l'axe de la charnière inférieure. La charnière supérieure se dégage en même temps que la porte.

**REMARQUE :** Il ne sera peut-être pas nécessaire d'enlever les charnières inférieures et les pieds de stabilisation pour faire passer le réfrigérateur dans un cadre de porte.

- Si nécessaire, utiliser une clé à douille de 6 mm et un tournevis cruciforme no 2 pour enlever la charnière du milieu.

#### Réinstallation de la porte de droite du réfrigérateur

- Placer la porte de droite sur l'axe de la charnière du milieu.
- Insérer l'axe de la charnière supérieure dans le trou du sommet de la porte du réfrigérateur.
- À l'aide de 4 vis à tête creuse de 5 mm, serrer la charnière sur l'appareil. Ne pas complètement serrer les vis.

#### Réinstallation de la porte de gauche du réfrigérateur

- Placer la porte de gauche sur l'axe de la charnière du milieu.
- À l'aide de 4 vis à tête creuse de 5 mm, serrer la charnière sur l'appareil. Ne pas complètement serrer les vis.
- Rebrancher le câblage électrique.
  - Remboîter deux sections de la fiche de câblage.
  - Rebrancher la mise à la terre à la vis de charnière.

#### Étapes finales

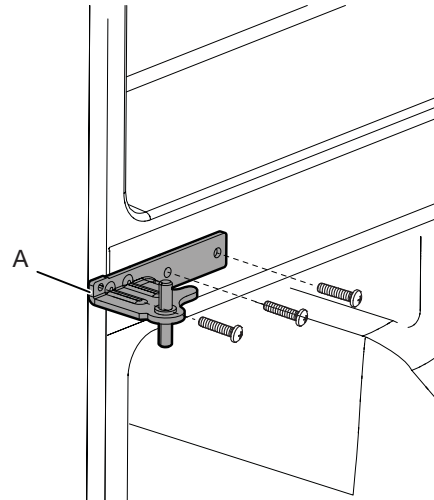
- Serrer à fond les 8 vis à tête creuse de 5 mm.
- Réinstaller les couvre-charnière supérieurs.

## Enlever et replacer la porte du congélateur/Flexi Freeze

- Laisser les portes du congélateur fermées jusqu'au moment de les détacher de la caisse.

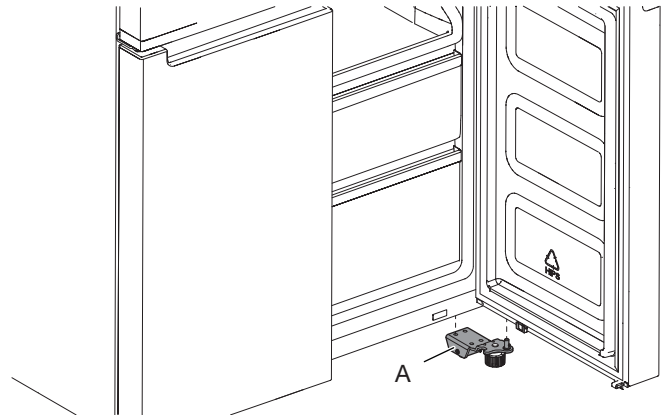
**REMARQUE :** Prévoir un support supplémentaire pour la porte du congélateur pendant le retrait des charnières. La force d'attraction des aimants de la porte ne suffit pas à la maintenir en place pendant la manutention.

- Utiliser un tournevis cruciforme no 2 et une clé à douille de 6 mm pour enlever la charnière du milieu de la caisse.



A. Charnière du milieu

- Soulever la porte du congélateur de l'axe de la charnière inférieure.



A. Charnière inférieure

## **⚠ AVERTISSEMENT**



### **Risque de choc électrique**

**Brancher sur une prise de terre (reliée à la masse).**

**Ne pas retirer la broche de terre.**

**Ne pas utiliser d'adaptateur.**

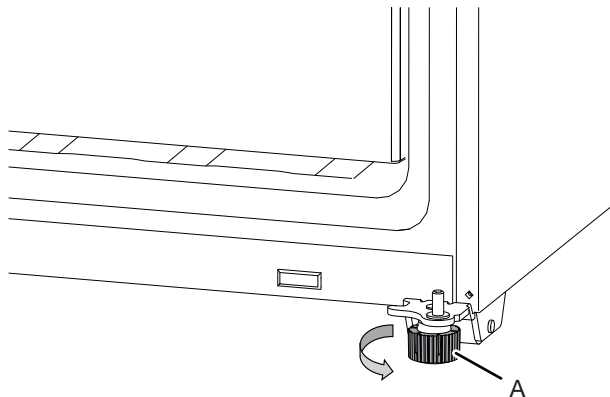
**Ne pas utiliser de rallonge.**

**Le non-respect de ces instructions peut entraîner la mort, un incendie ou un choc électrique.**

1. Brancher sur une prise reliée à la terre.
2. Replacer toutes les pièces amovibles et aliments dans les tiroirs.

## **Nivellement du réfrigérateur**

1. Déplacer le réfrigérateur jusqu'à son emplacement final.
2. Avec la main, faire pivoter les pieds de stabilisation. Les tourner dans le sens antihoraire, jusqu'à ce que les roulettes ne touchent plus le sol et que les deux pieds de stabilisation soient fermement en appui sur le sol. Ceci permet d'empêcher le réfrigérateur de rouler vers l'avant à l'ouverture des portes.



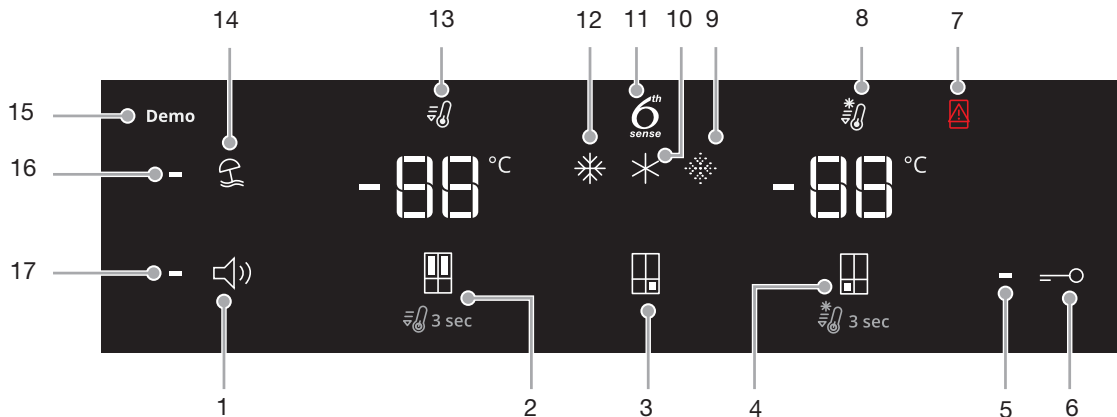
A. Pieds de stabilisation

**IMPORTANT :** Si des ajustements sont nécessaires par la suite et si cela comprend les pieds de stabilisation, les deux pieds de stabilisation doivent être tournés de façon égale pour conserver l'aplomb du réfrigérateur.

3. À l'aide d'un niveau, vérifier que le réfrigérateur est d'aplomb transversalement et d'avant en arrière.

## Utilisation des commandes

Les commandes tactiles sont situées sur la porte gauche du réfrigérateur. Le tableau de commande comprend des renseignements sur les différents boutons et témoins. Le témoin de température du réfrigérateur et du congélateur indique les derniers points de consigne de température.



1. Bouton marche/arrêt du son
2. Bouton de température du réfrigérateur (appuyer pendant 3 secondes pour accéder à Fast Cool [refroidissement rapide])
3. Bouton de température pré-réglé Flexi Freeze (seulement sur les modèles WQ9 B1L, 6WM591NIHAS et WQ70900SXX)
4. Bouton de température du congélateur (appuyer pendant 3 secondes pour accéder à Fast Freeze [congélation rapide])
5. Témoin de verrouillage des touches
6. Bouton de verrouillage des touches
7. Témoin de porte ouverte
8. Témoin de congélation rapide
9. Témoin de congélation faible (seulement sur les modèles WQ9 B1L, 6WM591NIHAS et WQ70900SXX)
10. Témoin de congélation moyenne (seulement sur les modèles WQ9 B1L, 6WM591NIHAS et WQ70900SXX)
11. Témoin 6<sup>th</sup> Sense
12. Témoin de congélation traditionnelle (seulement sur les modèles WQ9 B1L, 6WM591NIHAS et WQ70900SXX)
13. Témoin de refroidissement rapide
14. Bouton de mode vacances
15. Témoin du mode de démonstration (seulement sur les modèles WQ9 B1L, 6WM591NIHAS et WQ70900SXX)
16. Témoin du mode vacances
17. Témoin de son

Le panneau de commande s'éteindra automatiquement après une minute d'inactivité. Pour activer le tableau de commande, appuyer sur une touche.

### - Affichage et modification des points de réglage de température

#### Réglage de la température du compartiment du réfrigérateur et du congélateur :

À titre de commodité, les commandes du réfrigérateur et du congélateur sont pré-réglées à l'usine.

Lors de l'installation initiale du réfrigérateur, s'assurer que les commandes sont encore pré-réglées aux points de réglage recommandés. Les points de réglage recommandés à l'usine sont de 3 °C pour le réfrigérateur et -18 °C pour le congélateur.

Appuyer sur le bouton de température du réfrigérateur ou du congélateur pour commuter entre les points de réglage de température en Celsius (°C).

#### IMPORTANT :

- Attendre 24 heures avant d'ajouter des aliments dans le réfrigérateur. Si on ajoute des aliments avant que le réfrigérateur ne soit complètement refroidi, les aliments risquent de se gaspiller.
- **REMARQUE :** Placer les points de réglage à un réglage plus froid que celui qui est recommandé ne refroidira pas les compartiments plus rapidement.
- Si la température est trop tiède ou trop froide dans le réfrigérateur ou le congélateur, vérifier d'abord les événements pour s'assurer qu'ils ne sont pas bloqués, avant de régler les commandes.

- Les réglages recommandés devraient être corrects pour une utilisation domestique normale. Les réglages sont faits correctement lorsque le lait ou le jus sont aussi froids que désiré et lorsque la crème glacée est ferme.
- **REMARQUE :** Dans des zones comme un garage, un sous-sol ou un porche, la température peut être extrême ou le taux d'humidité supérieur à celui de votre domicile. Il peut s'avérer nécessaire de modifier la température à d'autres réglages que les réglages recommandés afin de s'adapter à ces conditions.
- Attendre au moins 24 heures entre chaque modification. Vérifier à nouveau les températures avant de procéder à d'autres modifications.

### 6<sup>th</sup> Sense Fresh Lock et commandes du congélateur

Le capteur 6<sup>th</sup> SENSE Fresh Lock assure une température précise et constante, ce qui permet de conserver les aliments frais pendant une longue période de temps de la façon la plus naturelle. Dès qu'une variation de température est détectée, le capteur active un compresseur qui rétablit rapidement la température d'origine.

Le capteur 6<sup>th</sup> SENSE Freeze réduit les fluctuations de température dans le congélateur grâce à un système de gestion de la température innovateur. Les brûlures de congélation sont réduites pour préserver la qualité et la couleur des aliments.



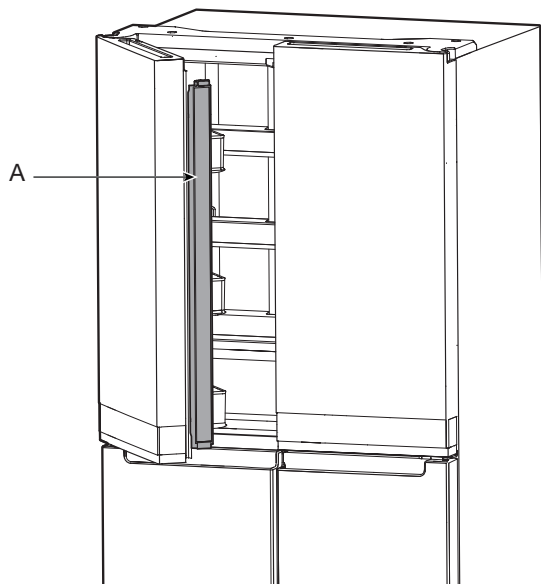


# UTILISATION DU RÉFRIGÉRATEUR

## Ouverture et fermeture des portes

Il y a deux portes pour le compartiment de réfrigération. Les portes peuvent être ouvertes et fermées séparément ou ensemble. Il y a sur la porte de gauche du réfrigérateur un joint à charnière verticale.

- Lors de l'ouverture de la porte du côté gauche, le joint à charnière se replie automatiquement vers l'intérieur pour qu'il n'y ait pas d'interférence.
- Lorsque les deux portes sont fermées, le joint à charnière assure automatiquement l'étanchéité entre les deux portes.

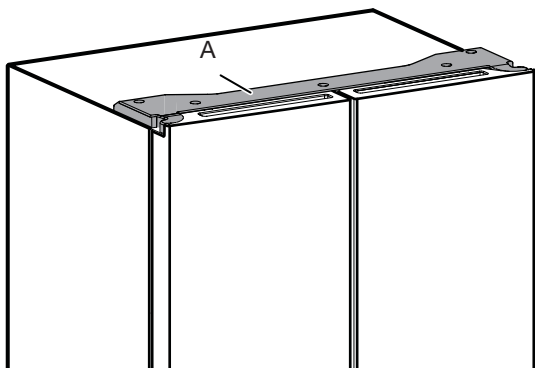


A. Joint à charnière

Le commutateur de la porte du réfrigérateur est situé dans le coin supérieur gauche et le couvercle de la charnière de droite.

- Pour le congélateur et la zone de température multi, le commutateur est situé dans le montant du bas.
- Le commutateur de porte utilise un aimant pour capter l'ouverture et la fermeture de la porte.
- S'assurer qu'aucun aimant ou appareil électronique (enceinte, CoolVox®, etc.) ne se trouve à moins de 7,62 cm du couvre-charnière.

**REMARQUE :** L'éclairage ne se met pas en marche s'il n'y a pas de détection d'ouverture de porte.



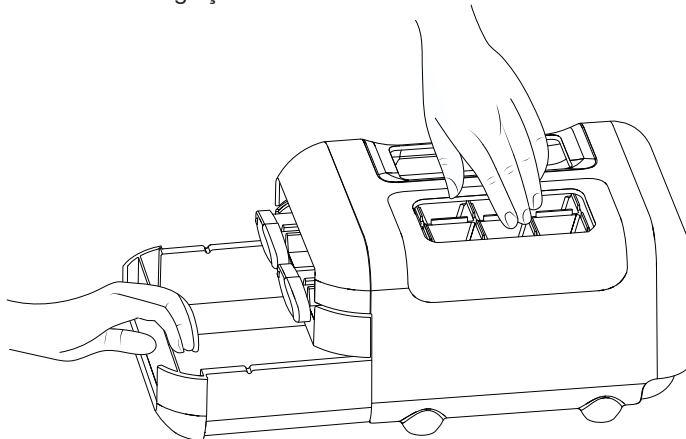
A. Couvre-charnière

## Machine à glaçons

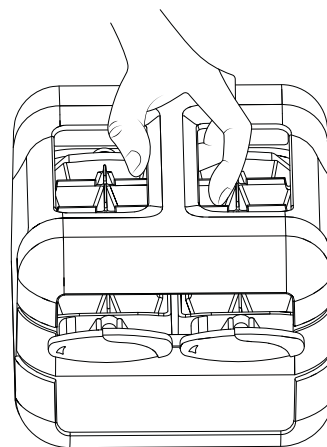
- Pour produire des glaçons, remplir le casier à glaçons d'eau pure et placer la machine à glaçons manuelle sur la tablette du haut du congélateur. Laisser aux glaçons le temps de geler, puis une fois prêts, tourner les boutons dans le sens horaire pour éjecter les glaçons dans le bac à glaçons.



- Soulever légèrement le bac à glaçons, puis le retirer pour accéder aux glaçons.



La machine à glaçons manuelle peut être retirée du congélateur lorsqu'on n'a pas besoin de faire de glaçons pour libérer de l'espace dans le compartiment du congélateur.



## Conservation des aliments

### Œufs

Il est recommandé de ranger les œufs à une température constante pour en conserver la fraîcheur, l'idéal est de les conserver sur la tablette du centre du réfrigérateur.

# TABLETTES, BALCONNETS ET TIROIRS

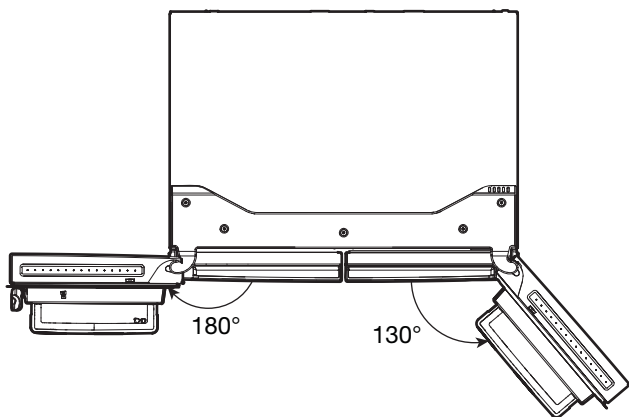
## Importants renseignements à savoir au sujet des tablettes et des couvercles en verre :

Ne pas nettoyer les tablettes ou couvercles en verre avec de l'eau tiède quand ils sont froids. Les tablettes et les couvercles peuvent se briser s'ils sont exposés à des changements soudains de température ou à un impact tel que coup brusque. Le verre trempé est conçu pour éclater en d'innombrables pièces minuscules. Ceci est normal. Les tablettes et les couvercles en verre sont lourds. Les saisir à deux mains lors de leur dépose afin d'éviter de les faire tomber.

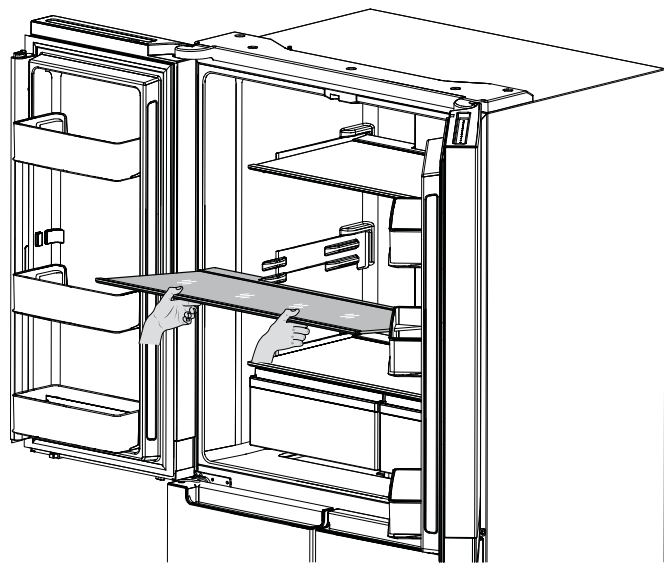
## Ajuster la hauteur de tablettes

La hauteur des tablettes peut être ajustée en changeant leur position, des supports du bas aux supports du haut ou inversement.

- Ouvrir complètement la porte de droite.
- Ouvrir complètement la porte de gauche, puis soulever la porte pour l'ouvrir à 180°.



- Retirer l'étagère du réfrigérateur, puis la replacer à la position souhaitée.



- S'assurer que la tablette est convenablement remise en place sur ses supports.

## Tablettes et cadres de tablettes

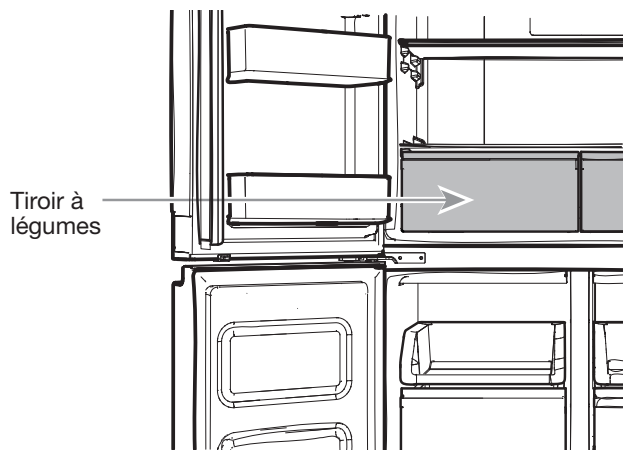
Les tablettes de réfrigérateur sont ajustables afin de s'adapter à vos besoins de rangement.

Afin de pouvoir trouver plus facilement l'article recherché, on peut remettre ensemble des aliments semblables dans le réfrigérateur et ajuster les tablettes pour les adapter aux différentes tailles d'articles. Ceci réduira également la durée d'ouverture de la porte du réfrigérateur et permettra d'économiser de l'énergie.

### Pour enlever et réinstaller les tablettes :

1. Ouvrir complètement la porte de droite et de gauche, puis soulever la porte de gauche pour l'ouvrir à 180°.
2. Ôter la tablette du milieu ou supérieure en la soulevant pour la sortir des supports de tablette. Tirer ensuite sur la tablette et l'incliner en position verticale vers le bas. Incliner la tablette à un angle et la retirer du réfrigérateur.
3. Ôter la tablette du bas en la soulevant pour la sortir des supports de tablette. Tirer ensuite sur la tablette en l'inclinant à la verticale vers le haut. Incliner la tablette à un angle et la retirer du réfrigérateur.
4. Replacer la tablette du milieu et du haut en les plaçant dans le réfrigérateur en utilisant un angle et en maintenant l'avant de la tablette vers le bas. Soulever l'avant de la tablette vers le haut et la glisser vers l'intérieur jusqu'à ce que l'arrière de la tablette se place sur les supports de tablette. Abaisser l'avant de la tablette et s'assurer que la tablette est bien en position.
5. Replacer la tablette du bas en la plaçant dans le réfrigérateur en utilisant un angle, l'avant de la tablette vers le haut. Abaisser l'avant de la tablette et la glisser à l'intérieur jusqu'à ce que l'arrière de la tablette se place sur les supports de tablette. Abaisser l'avant de la tablette et s'assurer que la tablette est bien en position.

## Tiroirs à légumes



### Enlever et réinstaller les tiroirs à légumes :

1. Saisir la poignée du tiroir à légumes et le tirer jusqu'à la butée. Soulever le tiroir à légumes hors des guides inférieurs.
2. Replacer le tiroir à légumes en le plaçant sur la glissière inférieure du tiroir à légumes et en le poussant au-delà de la butée d'arrêt du tiroir.





---

## Nettoyage de l'intérieur

---

1. Débrancher le réfrigérateur ou déconnecter la source de courant électrique.
2. Laver à la main, rincer et sécher les pièces amovibles et les surfaces internes soigneusement. Utiliser une éponge propre ou un linge doux et un détergent doux dans de l'eau tiède.  
**REMARQUE :** Ne pas utiliser de nettoyants puissants ou abrasifs tels que les nettoyants à vitre en atomiseurs, nettoyants à récurer, liquides inflammables, cires nettoyantes, détergents concentrés, agents de blanchiment ou nettoyants contenant du pétrole sur les pièces en plastique, les garnitures intérieures et garnitures de portes ou sur les joints de portes.
3. Brancher le réfrigérateur ou reconnecter la source de courant électrique.

---

## Nettoyage du condensateur

---

Ce réfrigérateur est muni de chaque côté de condenseurs par surface. Il est normal de sentir de la chaleur sur les côtés.

---

## Lampes

---

Les lampes dans le réfrigérateur et le congélateur sont à DEL et n'ont pas besoin d'être remplacées. Si la lampe ne s'allume pas à l'ouverture de la porte, contacter le marchand chez qui le réfrigérateur a été acheté.

---

## Précautions à prendre pour les vacances ou le déménagement

---

---

### Vacances

---

#### Si le réfrigérateur est laissé en marche pendant son absence :

1. Consommer toutes les denrées périssables et congeler les autres articles.
2. Si le réfrigérateur comporte une machine à glaçons automatique et qu'il est raccordé à la source d'approvisionnement en eau du domicile, fermer la source d'approvisionnement en eau du réfrigérateur. Des dommages matériels peuvent subvenir si l'alimentation en eau n'est pas coupée.
3. Si votre machine à glaçons est automatique, éteindre la machine à glaçons.
  - Mettre le commutateur de la machine à glaçons de la porte sur arrêt (O).
4. Vider le bac à glaçons.

#### Si l'utilisateur choisit d'arrêter le réfrigérateur avant son absence :

**REMARQUE :** Placer le réfrigérateur en mode de démonstration lors d'une absence. Voir la section "Utilisation des commandes".

1. Enlever tous les aliments du réfrigérateur.
2. Si le réfrigérateur est équipé d'une machine à glaçons automatique :
  - Fermer l'approvisionnement en eau de la machine à glaçons au moins un jour à l'avance.
  - Lorsque les derniers glaçons tombent, appuyer sur le commutateur de fermeture (O) pour éteindre l'affichage du haut, à l'intérieur du réfrigérateur, selon le modèle.
3. Vider le bac à glaçons.
4. Éteindre les commandes de température. Voir la section "Utilisation des commandes".
5. Nettoyer le réfrigérateur, l'essuyer et bien le sécher.
6. À l'aide d'un ruban adhésif, placer des blocs de caoutchouc ou de bois dans la partie supérieure de chaque porte de façon à ce qu'elles soient suffisamment ouvertes pour permettre à l'air d'entrer et d'éviter l'accumulation d'odeur ou de moisissure.

---

## Déménagement

---

En cas de déménagement et de déplacement du réfrigérateur dans une nouvelle habitation, suivre ces étapes pour préparer le déménagement.

1. Si le réfrigérateur est équipé d'une machine à glaçons automatique :
  - Fermer l'approvisionnement en eau de la machine à glaçons au moins un jour à l'avance.
  - Débrancher la canalisation d'eau de l'arrière du réfrigérateur.
  - Lorsque les derniers glaçons tombent, appuyer sur le commutateur (O) pour fermer la machine à glaçons de la porte ou les commandes, selon le modèle.
2. Retirer tous les aliments du réfrigérateur et placer tous les aliments congelés dans de la neige carbonique.
3. Vider le bac à glaçons.
4. Débrancher le réfrigérateur.
5. Bien nettoyer, essuyer et sécher.
6. Retirer toutes les pièces amovibles, bien les envelopper et les attacher ensemble avec du ruban adhésif pour qu'elles ne bougent et ne s'entrechoquent pas durant le déménagement.
7. Selon le modèle, soulever l'avant du réfrigérateur pour qu'il roule plus facilement ou soulever les pieds de nivellement pour qu'ils n'égratignent pas le plancher. Consulter la section "Ajustement des portes" ou "Fermeture et alignement des portes".
8. Fermer les portes à l'aide de ruban adhésif et fixer le cordon d'alimentation à la partie arrière du réfrigérateur.

Lors de l'arrivée au nouveau domicile, remettre tout en place et consulter la section "Instructions d'installation" pour les instructions de préparation. Aussi, si le réfrigérateur comporte une machine à glaçons automatique, ne pas oublier de rebrancher l'approvisionnement en eau au réfrigérateur.

# DÉPANNAGE

Essayer d'abord les solutions suggérées ici pour éviter une intervention de dépannage.

## ⚠ AVERTISSEMENT



### Risque de choc électrique

**Brancher sur une prise de terre (reliée à la masse).**

**Ne pas retirer la broche de terre.**

**Ne pas utiliser d'adaptateur.**

**Ne pas utiliser de rallonge.**

**Le non-respect de ces instructions peut entraîner la mort, un incendie ou un choc électrique.**

Si les problèmes suivants surviennent	Causes possibles	Solution
<b>Fonctionnement du réfrigérateur</b>		
Le réfrigérateur ne fonctionne pas.	Inspecter l'alimentation électrique.	Brancher le cordon d'alimentation dans une prise reliée à la terre.
		Ne pas utiliser de rallonge.
		S'assurer que la prise est alimentée. Brancher une lampe pour voir si la prise fonctionne.
		Réarmer le disjoncteur déclenché. Remplacer tout fusible grillé. <b>REMARQUE :</b> Si le problème persiste, appeler un électricien.
	Inspecter les commandes.	S'assurer que les commandes sont activées. Voir la section "Utilisation des commandes".
Nouvelle installation.	Accorder 24 heures après l'installation pour que le réfrigérateur se refroidisse complètement. <b>REMARQUE :</b> Le fait de placer les commandes de température sur le réglage le plus froid ne refroidira pas le compartiment plus rapidement.	
Les commandes du réfrigérateur sont en mode de démonstration (sur certains modèles).	Si le réfrigérateur est en mode de démonstration, le refroidissement est désactivé et "Demo" (démonstration) s'allume sur le tableau de commande. Consulter la section "Utilisation des commandes" pour plus de renseignements.	
Le moteur semble fonctionner excessivement.	Compresseur et ventilateur à rendement élevé.	Un réfrigérateur éconergique de grande taille fonctionne à une vitesse inférieure et plus éconergique que d'autres appareils.
	La température de la pièce ou la température extérieure est élevée.	Il est normal que le réfrigérateur fonctionne pendant plus longtemps dans ces conditions. Pour un rendement optimal, placer le réfrigérateur dans un environnement d'intérieur à température stable. Voir la section "Exigences d'emplacement".
	Une grande quantité d'aliments tièdes a été récemment ajoutée.	Lorsqu'on place des aliments tièdes dans le réfrigérateur, l'appareil fonctionne plus longtemps : jusqu'à ce que l'air soit refroidi à la température désirée.
	Les portes sont ouvertes fréquemment ou pendant trop longtemps.	L'air tiède qui entre dans le réfrigérateur prolonge son fonctionnement. Ouvrir la porte moins souvent.
	La porte du réfrigérateur ou du tiroir du congélateur est ouverte.	Vérifier que le réfrigérateur est de niveau. Consulter la section "Fermeture et alignement des portes". Empêcher les aliments et les récipients d'obstruer la porte.
	La commande du réfrigérateur est placée à un réglage trop froid.	Placer la commande du réfrigérateur à un réglage moins froid jusqu'à ce que la température du réfrigérateur souhaitée soit atteinte.
	Le joint de la porte ou du tiroir est sale, usagé ou craquelé.	Nettoyer ou remplacer le joint d'étanchéité. Si le joint de la porte présente des fuites, le réfrigérateur fonctionnera plus longtemps pour maintenir la température souhaitée.

# DÉPANNAGE

Essayer d'abord les solutions suggérées ici pour éviter une intervention de dépannage.

Si les problèmes suivants surviennent	Causes possibles	Solution
Les ampoules ne fonctionnent pas.	Votre réfrigérateur est muni de DEL qui ne doivent pas être remplacées par l'utilisateur.	Si le réfrigérateur est alimenté, mais que les DEL ne fonctionnent pas lorsqu'une porte ou un tiroir est ouvert, communiquer avec le service pour obtenir de l'aide.
	Les portes ont été ouvertes pendant plus de 10 minutes.	Fermer les portes et le tiroir à réinitialiser, puis les rouvrir pour reprendre la tâche illuminée.
	Le contacteur de la porte ne détecte pas l'ouverture de la porte.	S'assurer qu'aucun aimant ou appareil électronique ne se trouve à moins de 7,62 cm (3 po) du couvre-charnière.
L'IU des commandes de température ne s'allume pas.	L'IU des commandes de température est en veille.	Appuyer sur un bouton de l'IU pour activer l'IU des commandes de température.
	Les boutons de l'IU des commandes de température ne fonctionnent pas bien.	Essayer d'éteindre, puis de rallumer le réfrigérateur pour réinitialiser les boutons. Si le problème continue, faire un appel pour obtenir un entretien ou de l'aide.
	L'IU des commandes de température n'est pas alimenté.	Vérifier le faisceau de câblage dans la charnière de porte.
Incapable d'effectuer les réglages sur l'IU des commandes de température.	La porte est ouverte et l'alarme de porte entrouverte est activée.	Fermer la porte.
<b>Sons inhabituels</b>		
Pour écouter des bruits qui font partie du fonctionnement normal du réfrigérateur, consulter la section Aide avec le produit/FAQ du site Web de notre marque à la section "Bruits normaux". Voici une liste de sons normaux, accompagnée d'explications.		
Le réfrigérateur semble bruyant.	Le compresseur de votre nouveau réfrigérateur régule la température plus efficacement tout en utilisant moins d'énergie ; il fonctionne aussi plus silencieusement.	Les bruits de fonctionnement étant moins importants, il sera possible de remarquer des bruits inconnus qui sont en réalité normaux.
Bruit du compresseur qui fonctionne plus longtemps que prévu.	Compresseur et ventilateur à rendement élevé.	Les réfrigérateurs plus gros et efficaces fonctionnent plus longtemps à des vitesses inférieures et plus éconergiques.
Pulsation/bruissement	Les ventilateurs/ le compresseur qui se règlent pour optimiser le rendement durant le fonctionnement normal du compresseur.	Ceci est normal.
Éclatement	Contraction/expansion des parois internes, surtout lors du refroidissement initial.	Ceci est normal.
Sifflement/égouttement	Écoulement de liquide réfrigérant ou d'huile dans le compresseur.	Ceci est normal.
Vibration	Le réfrigérateur n'est peut-être pas stable.	Ajuster les vis de nivellement et abaisser le pied de nivellement avant de façon à ce qu'il soit bien en contact avec le plancher. Consulter la section "Fermeture et alignement des portes".
Entrechoquement/martèlement	Mouvement des conduites d'eau contre la caisse du réfrigérateur ou d'objets posés sur le dessus de la caisse du réfrigérateur.	Éloigner l'excédent de canalisation d'eau de la caisse du réfrigérateur ou la fixer sur la caisse. Consulter la section "Raccordement de l'eau" ou retirer les objets du sommet du réfrigérateur.
Grésillement	De l'eau dégoutte sur l'élément de chauffage durant le programme de dégivrage.	Ceci est normal.
Écoulement d'eau/gargouillement	Peut se produire lorsque la glace fond lors du programme de dégivrage et que l'eau s'écoule dans le plateau de dégivrage.	Ceci est normal.



# DÉPANNAGE

Essayer d'abord les solutions suggérées ici pour éviter une intervention de dépannage.

Si les problèmes suivants surviennent	Causes possibles	Solution
<b>Température et humidité</b>		
La température est trop élevée.	Le réfrigérateur vient d'être installé.	Accorder 24 heures après l'installation pour que le réfrigérateur se refroidisse complètement.
	Le réglage des commandes n'est pas adapté à l'environnement de l'appareil.	Régler les commandes à un cran plus froid. Vérifier la température au bout de 24 heures. Voir la section "Utilisation des commandes".
	La/les portes sont ouvertes fréquemment ou ne sont pas complètement fermées. Ceci permet à l'air chaud de pénétrer dans le réfrigérateur.	Réduire les ouvertures de porte et garder les portes complètement fermées.
	Une grande quantité d'aliments a été récemment ajoutée.	Attendre quelques heures pour permettre au réfrigérateur de revenir à une température normale.
	Mode de démonstration activé.	Désactiver le mode de démonstration. Voir la section "Utilisation des commandes".
	Le mode vacances est activé.	Désactiver le mode vacances. Voir la section "Utilisation des commandes".
La température est trop basse dans le réfrigérateur/tiroir à légumes.	L'ouverture/les ouvertures d'évacuation du réfrigérateur est/sont bloquée(s).	Si l'ouverture d'évacuation située au milieu à l'arrière du compartiment de réfrigération est obstruée par des articles placés directement devant, le réfrigérateur sera trop froid. Éloigner les objets de l'ouverture d'évacuation.
	Le réglage des commandes n'est pas adapté à l'environnement de l'appareil.	Régler les commandes à un cran plus chaud. Vérifier la température au bout de 24 heures. Voir la section "Utilisation des commandes".
	Le bac d'entreposage à glaçons est mal installé.	Voir la section "Machine à glaçons et bac à glaçons".
La température est trop basse dans le tiroir à température contrôlée.	Le réglage des commandes n'est pas adapté aux articles rangés dans le tiroir.	Modifier le réglage de température. Consulter la partie "Utilisation des commandes" dans la section "Utilisation du réfrigérateur".
Il y a de l'humidité à l'intérieur. <b>REMARQUE :</b> Il est normal qu'un peu d'humidité s'accumule à l'intérieur.	La pièce est humide.	Un environnement humide contribue à l'accumulation d'humidité.
	La/les portes sont ouvertes fréquemment ou ne sont pas complètement fermées. Cela permet à l'air humide de pénétrer dans le réfrigérateur.	Réduire les ouvertures de porte et garder les portes complètement fermées.
	Une porte est bloquée en position ouverte.	Déplacer les emballages d'aliments pour libérer la porte.
	Un compartiment ou une tablette bloque le passage.	Replacer le compartiment ou la tablette correctement.
	Entreposage de liquides dans des récipients ouverts.	Cela ajoute de l'humidité à l'intérieur du réfrigérateur. Bien fermer tous les récipients.
Du givre ou de la glace s'est accumulé dans le compartiment de congélation.	La porte est fréquemment ouverte ou est laissée ouverte.	Réduire les ouvertures de la porte et garder le tiroir complètement fermé après utilisation.
	Mauvaise étanchéité du joint de la porte.	S'assurer que les joints de porte sont en parfait contact avec la caisse du réfrigérateur pour que l'étanchéité soit assurée.
	Les commandes de température ne sont pas correctement réglées.	Consulter la section "Utilisation des commandes" pour connaître les réglages de température recommandés.

# DÉPANNAGE

Essayer d'abord les solutions suggérées ici pour éviter une intervention de dépannage.

**⚠ AVERTISSEMENT**



**Risque d'explosion**  
**Utiliser un produit nettoyant ininflammable.**  
**Le non-respect de cette instruction peut entraîner la mort, une explosion ou un incendie.**

Pour voir une vidéo détaillant l'ajustement et l'alignement des portes, consulter la section Aide avec le produit/FAQ du site Web de notre marque et chercher "Fermeture et alignement des portes".

Si les problèmes suivants surviennent	Causes possibles	Solution
<b>Portes</b>		
La porte ne ferme pas complètement.	La porte est bloquée en position ouverte.	Déplacer les emballages d'aliments pour libérer la porte.
	Un compartiment ou une tablette bloque le passage.	Replacer le compartiment ou la tablette correctement.
	Récemment installé	Enlever tous les matériaux d'emballage.
Les portes sont difficiles à ouvrir.	Les joints de la porte sont collants ou sales.	Nettoyer les joints et les surfaces de contact au savon doux et à l'eau tiède. Rincer et sécher avec un linge doux.
Les portes semblent mal alignées.	Les portes doivent être alignées ou l'aplomb du réfrigérateur effectué.	Communiquer avec le service si la porte doit être alignée.
Le réfrigérateur est instable ou roule vers l'avant lorsqu'on ouvre ou ferme les portes.	Les pieds de nivellement ne sont pas fermement en appui sur le sol.	Tourner les deux pieds de stabilisation (un de chaque côté) du même nombre de tours dans le sens antihoraire, jusqu'à ce qu'ils soient fermement en appui sur le sol. Consulter la section "Fermeture et alignement des portes".

# Содержание

<b>БЕЗОПАСНОСТЬ ЭКСПЛУАТАЦИИ ХОЛОДИЛЬНИКА</b> .....	<b>76</b>
Надлежащая утилизация вашего старого холодильника .....	79
<b>СОСТАВНЫЕ ЧАСТИ И ФУНКЦИИ</b> .....	<b>80</b>
<b>УКАЗАНИЯ ПО УСТАНОВКЕ</b> .....	<b>81</b>
Начало работы .....	81
Распаковка холодильника.....	81
Требования к помещению.....	82
Требования к электрическому подключению и электробезопасности.....	82
Снятие и перевешивание дверец холодильника.....	84
Снятие и установка на место дверцы морозильной камеры/отделения Flexi Freeze .....	86
Выравнивание холодильника.....	<b>87</b>
Использование органов управления .....	88
Внутреннее освещение холодильника.....	90
<b>ЭКСПЛУАТАЦИЯ ХОЛОДИЛЬНИКА</b> .....	<b>91</b>
Открывание и закрывание дверец.....	91
Хранение продуктов.....	91
<b>ПОЛКИ, ДВЕРНЫЕ ЯЩИЧКИ И ВЫДВИЖНЫЕ ЯЩИКИ</b> ....	<b>92</b>
Отделения морозильной камеры.....	93
Таблица звуковых сигналов .....	93
Дополнительные принадлежности .....	93
Ремонт или сервисное обслуживание.....	93
<b>УХОД ЗА ХОЛОДИЛЬНИКОМ</b> .....	<b>94</b>
Чистка .....	94
Освещение.....	95
Отпуск и транспортировка .....	95
<b>ПОИСК И УСТРАНЕНИЕ НЕИСПРАВНОСТЕЙ</b> .....	<b>96</b>
Таблица .....	101

# БЕЗОПАСНОСТЬ ЭКСПЛУАТАЦИИ ХОЛОДИЛЬНИКА

## Ваша безопасность и безопасность других людей очень важны.

В настоящем руководстве и на самом приборе имеется большое количество сообщений, относящихся к безопасности. Всегда читайте все сообщения, относящиеся к безопасности, и соблюдайте содержащиеся в них указания.



Это символ опасности.

Этот символ предупреждает вас о потенциальной опасности, которая может привести к тяжелым и даже смертельным травмам пользователя и других людей.

Все сообщения, относящиеся к безопасности, следуют за символом опасности и словами "ОПАСНОСТЬ" или "ПРЕДУПРЕЖДЕНИЕ".

Эти слова означают:

**⚠ ОПАСНОСТЬ**

**Вы получить тяжелую и даже смертельную травму, если немедленно не последуете приведенным указаниям.**

**⚠ ПРЕДУПРЕЖДЕНИЕ**

**Вы можете получить тяжелую и даже смертельную травму, если не последуете приведенным указаниям.**

Все сообщения, относящиеся к безопасности, информируют вас о потенциальных опасностях, способах снижения опасности получения травмы и о том, что может произойти в случае несоблюдения приведенных указаний.

## УКАЗАНИЯ ПО БЕЗОПАСНОСТИ

Перед тем как приступать к использованию прибора, прочитайте настоящие указания по безопасности. Держите их под рукой для консультаций в будущем. Данные указания, а также сам прибор содержат важные предупреждения по безопасности, которых необходимо постоянно придерживаться. Изготовитель снимает с себя всякую ответственность в случае несоблюдения настоящих указаний по безопасности, ненадлежащего использования прибора или неверной установки органов управления.

⚠ Очень маленьких детей (в возрасте 0-3 лет) не следует подпускать к прибору. Маленьких детей (в возрасте 3-8 лет) можно подпускать к прибору только в том случае, если они находятся под постоянным присмотром. Данное изделие может эксплуатироваться детьми в возрасте 8 лет и старше и лицами с ограниченными физическими, сенсорными или умственными способностями или с недостаточным опытом или знаниями только в том случае, если они находятся под присмотром или после получения соответствующих инструкций, позволяющих им безопасно эксплуатировать изделие и дающих им представление об опасностях, сопряженных с его эксплуатацией. Не позволяйте детям играть с прибором. Дети должны осуществлять чистку прибора или уход за ним, подлежащий выполнению пользователем, только под присмотром взрослых.

### РАЗРЕШЕННОЕ ИСПОЛЬЗОВАНИЕ

⚠ ПРЕДУПРЕЖДЕНИЕ: Данный прибор не предназначен для работы с управлением от внешнего устройства, например, таймера или отдельного пульта ДУ.

⚠ Данный прибор предназначен для использования в быту, а также в следующих случаях: в магазинах, офисах и иных местах работы в помещениях, используемых под кухню; в кухнях на фермах, в отелях, мотелях, резиденциях и гостиницах типа V&V для пользования отдельными клиентами.

⚠ Данный прибор не предназначен для профессионального применения. Не используйте прибор на открытом воздухе.

⚠ Данный прибор предназначен для работы в помещениях, температура в которых лежит в следующих диапазонах - в соответствии с климатическим классом, указанным на табличке технических данных. Прибор может работать ненадлежащим образом, если на долгое время оставить его при температуре, лежащей вне предусмотренного для него рабочего диапазона.

Климатический класс - Темп. окруж. среды (°C)

SN: От 10 до 32 °C; N: От 16 до 32 °C

ST: От 16 до 38 °C; T: От 16 до 43 °C

## ВАЖНЫЕ ПРЕДУПРЕЖДЕНИЯ, КОТОРЫЕ НЕОБХОДИМО ПРОЧИТАТЬ И СОБЛЮДАТЬ

⚠ Данный прибор не содержит хлорфторуглероды (CFC). В его холодильном контуре содержится изобутан R600a (относящийся к углеводородам): Приборы, содержащие изобутан (R600a): изобутан - это природный газ, не оказывающий воздействия на окружающую среду, но являющийся горючим. В связи с этим необходимо проверять трубопроводы холодильного контура на отсутствие повреждений, особенно при опорожнении холодильного контура.

⚠ ПРЕДУПРЕЖДЕНИЕ: Будьте осторожны, чтобы не повредить трубопроводы холодильного контура прибора.

⚠ ПРЕДУПРЕЖДЕНИЕ: Не допускайте перегорания вентиляционных отверстий прибора или мебели, в которую он встроен.

⚠ ПРЕДУПРЕЖДЕНИЕ: Не используйте для ускорения процесса размораживания механические, электрические или химические принадлежности или средства, отличные от рекомендованных изготовителем.

⚠ ПРЕДУПРЕЖДЕНИЕ: Не используйте внутри камер прибора и не помещайте в них электрические устройства, кроме разрешенных изготовителем.

⚠ ПРЕДУПРЕЖДЕНИЕ: Льдогенераторы и/или диспенсеры воды, которые не подключены непосредственно к водопроводу, следует заполнять только питьевой водой.

⚠ ПРЕДУПРЕЖДЕНИЕ: Автоматические льдогенераторы и/или диспенсеры воды должны подсоединяться к водопроводу с только питьевой водой (с напором воды в нем в диапазоне от 0,17 до 0,81 МПа [от 1,7 до 8,1 бар]).

⚠ Не храните в данном приборе взрывоопасные вещества, например, баллончики с аэрозолями.

⚠ Не глотайте содержимое (нетоксичное) пакетов льда (имеющихся на некоторых моделях). Не ешьте кубики льда или мороженое типа эскимо сразу после того, как они вынуты из морозильной камеры, так как это может вызвать ожоги от холода.

⚠ В случае приборов, оснащенных воздушным фильтром, устанавливаемым в доступной для пользователя крышке вентилятора, во время работы холодильника фильтр всегда должен быть установленным на своем месте.

⚠ Не храните в морозильной камере жидкости в стеклянных емкостях, так как они могут лопнуть. Не допускайте, чтобы упаковки с продуктами препятствовали работе вентилятора (если таковой имеется). После закладки продуктов убедитесь, что дверцы камер, особенно морозильной камеры, хорошо закрываются.

⚠ Поврежденные уплотнения необходимо заменять при первой возможности.

△ Используйте холодильную камеру только для хранения свежих продуктов, а морозильную камеру - только для хранения замороженных продуктов, замораживания свежих продуктов и приготовления кубиков льда.

△ Не допускайте, чтобы продукты, хранящиеся в неупакованном виде, касались внутренних поверхностей морозильной или холодильной камеры. Приборы могут иметь специальные отделения (ящик для свежих продуктов, ящик с нулевой температурой и т.д.). Если в паспорте на конкретное изделие не указано иное, эти ящики можно вынуть; при этом эффективность работы холодильника останется прежней.

### **УСТАНОВКА**

△ Перемещение и установку прибора должны производить как минимум два человека - опасность получения травмы. При распаковке и установке используйте защитные перчатки - опасность порезов.

△ Установка, подсоединение к водопроводу (в необходимых случаях) и электрическое подключение должны выполняться квалифицированным техническим специалистом. Не ремонтируйте и не меняйте какие-либо компоненты прибора при отсутствии соответствующих конкретных указаний в руководстве пользователя. Не подпускайте детей к месту установки.

После распаковки прибора убедитесь в том, что он не получил повреждений при транспортировке. В случае каких-либо проблем обратитесь к своему дилеру или в ближайший сервисный центр. После распаковки оставшиеся упаковочные материалы (пластик, пенопластовые части и др.) следует хранить в местах, недоступных для детей - опасность удушья. Перед выполнением каких-либо работ по установке прибор должен быть отключен от сети электропитания - опасность поражения электрическим током. При установке обращайте внимание на то, чтобы не повредить сетевой шнур прибора - опасность поражения электрическим током. Включайте прибор только после завершения его установки.

△ Будьте осторожны при перемещении прибора, чтобы не повредить полы (например, паркет). Установите прибор на полу или опоре, достаточно прочных для того, чтобы выдержать его вес, в помещении, соответствующего его размерам и назначению. Проследите за тем, чтобы прибор не находился вблизи источника тепла, все его четыре ножки устойчиво опирались в пол - для этого отрегулируйте их положение надлежащим образом - и периодически проверяйте, насколько ровно выставлен прибор с помощью спиртового уровня. Перед тем как включить прибор, подождите не менее двух часов для того, чтобы холодильный контур пришел в работоспособное состояние.

△ Для обеспечения надлежащей вентиляции оставьте свободное место с обеих боковых сторон прибора и над ним. Расстояние между задней стенкой прибора и стеной помещения должно составлять 50 мм для предотвращения доступа к нагревающимся поверхностям. Уменьшение этого расстояния увеличит энергопотребление прибора.

△ **ПРЕДУПРЕЖДЕНИЕ:** Во избежание опасности, возможной вследствие неустойчивого положения прибора, необходимо выполнять его установку или крепление в соответствии с указаниями изготовителя. Запрещается устанавливать холодильник таким образом, при котором его задней стенки (конденсатора) касались бы металлический шланг газовой плиты, металлические газовые или водопроводные трубы или электрические провода.

△ При необходимости замены дверец обращайтесь в сервисный центр.

### **ПРЕДУПРЕЖДЕНИЯ ПО ЭЛЕКТРОБЕЗОПАСНОСТИ**

△ Должна иметься возможность отключения прибора от электросети посредством отсоединения вилки от розетки (если к ней есть доступ) или с помощью многополюсного выключателя, устанавливаемого в цепи перед розеткой в соответствии с правилами электромонтажа. Прибор должен быть заземлен в соответствии с национальными стандартами электробезопасности.

△ Не используйте удлинители, разветвители и переходники. После завершения установки электрические компоненты должны быть недоступны для пользователя. Не используйте прибор, стоя на полу босиком или если у вас мокрые руки или ноги. Не пользуйтесь прибором, если у него повреждены сетевой шнур или вилка, если он неисправен или получил повреждение вследствие удара или падения.

△ В случае повреждения сетевого шнура во избежание возникновения опасных ситуаций он должен быть заменен заводом-изготовителем, сотрудником сервисного центра или специалистом с аналогичной квалификацией - опасность поражения электрическим током.

△ **ПРЕДУПРЕЖДЕНИЕ:** При установке прибора следите за тем, чтобы сетевой шнур не оказался зажатым или поврежденным.

△ **ПРЕДУПРЕЖДЕНИЕ:** Не размещайте переносные многогнездовые розетки или портативные источники питания с задней стороны прибора.

### **ЧИСТКА И УХОД**

△ **ПРЕДУПРЕЖДЕНИЕ:** Перед тем как приступить к любым операциям по уходу за прибором, убедитесь в том, что он выключен и отсоединен от электросети; никогда не используйте парочистители - опасность поражения электрическим током.

⚠ Не используйте абразивные или жесткие чистящие средства, такие как спреи для мойки окон, абразивные порошки, воспламеняемые жидкости, чистящий воск, концентрированные моющие средства, отбеливатели или моющие средства, содержащие нефтепродукты, для чистки пластиковых деталей, внутренних и дверных уплотнений и прокладок. Не используйте бумажные полотенца, абразивные губки или другие жесткие чистящие принадлежности.

**УТИЛИЗАЦИЯ УПАКОВОЧНЫХ МАТЕРИАЛОВ**  
Упаковочные материалы на 100% подлежат вторичной переработке и промаркированы соответствующим символом ♻.

Поэтому утилизация различных частей упаковки должна производиться ответственно и в полном соответствии с местными нормативами, регулирующими утилизацию отходов.

### **УТИЛИЗАЦИЯ БЫТОВЫХ ЭЛЕКТРОПРИБОРОВ**

Данный прибор изготовлен из материалов, пригодных к вторичной переработке или повторному использованию. Утилизируйте его в соответствии с местными правилами по утилизации отходов. Более подробную информацию о том, как следует обращаться с прибором, а также о его сдаче и переработке можно получить в соответствующем местном органе власти, службе сбора бытовых отходов или в магазине, в котором было приобретено это изделие. Данный прибор имеет маркировку в соответствии с Европейской директивой 2012/19/EU по утилизации электрического и электронного оборудования (WEEE). Обеспечив правильную утилизацию данного изделия, вы сможете предотвратить негативные последствия для окружающей среды и здоровья людей.

Символ ⚡ на самом изделии или на сопроводительной документации указывает на то, что в случае вывода изделия из эксплуатации с ним нельзя обращаться как с обычными бытовыми отходами; вместо этого его следует сдать в специализированный центр сбора электронных и электрических приборов для последующей утилизации.

### **РЕКОМЕНДАЦИИ ПО ЭКОНОМИИ ЭНЕРГИИ**

Устанавливайте прибор в сухом хорошо вентилируемом помещении вдали от источников тепла (например, радиаторов отопления, кухонных плит и т.д.) в месте, не подверженном воздействию прямых солнечных лучей. При необходимости используйте теплоизолирующую панель. Для обеспечения надлежащей вентиляции следуйте указаниям по установке. Недостаточная вентиляция с задней стороны прибора увеличивает потребление энергии и уменьшает эффективность охлаждения.

Частое открывание дверец может привести к увеличению потребления энергии. На температуру внутри прибора и величину энергопотребления могут влиять температура в помещении и место расположения прибора. Температуру следует задавать с учетом этих факторов.

Открывайте дверцу как можно реже.

При размораживании замороженных продуктов помещайте их в холодильную камеру. Низкая температура замороженных продуктов будет способствовать охлаждению продуктов, находящихся в холодильной камере. Дайте горячим продуктам и напиткам остыть перед тем, как помещать их в холодильник.

Расположение полок внутри холодильника не оказывает влияния на его энергоэффективность. Продукты следует размещать на полках таким образом, чтобы обеспечивалась надлежащая циркуляция воздуха (упаковки не должны касаться друг друга, а между упаковками и задней стенкой холодильника должно оставаться свободное пространство).

Вы можете увеличить полезный объем морозильной камеры, вынув из нее корзины или полку Stop Frost, если таковая имеется.

Не беспокойтесь при появлении издаваемых компрессором звуков, которые указаны в качестве нормальных в кратком справочном руководстве на данный прибор.



## **Надлежащая утилизация вашего старого холодильника**

### **⚠ ПРЕДОСТЕРЕЖЕНИЕ**

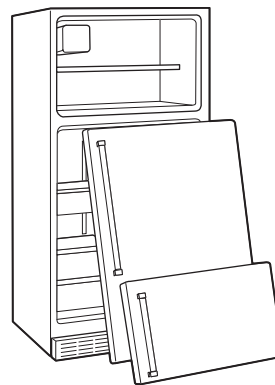
#### **Опасность удушья**

**Снимите дверцы с вашего старого холодильника. В противном случае возможны летальный исход или поражение головного мозга.**

**ВАЖНАЯ ИНФОРМАЦИЯ:** Опасность того, что дети могут оказаться в ловушке в закрытом холодильнике и задохнуться, не осталась в прошлом. Выброшенные или оставленные без присмотра холодильники все еще опасны - даже если их оставили «все на несколько дней». Если вы хотите избавиться от своего старого холодильника, придерживайтесь нижеприведенных указаний для предупреждения несчастных случаев.

#### **Перед тем как выбрасывать ваш старый холодильник или морозильник:**

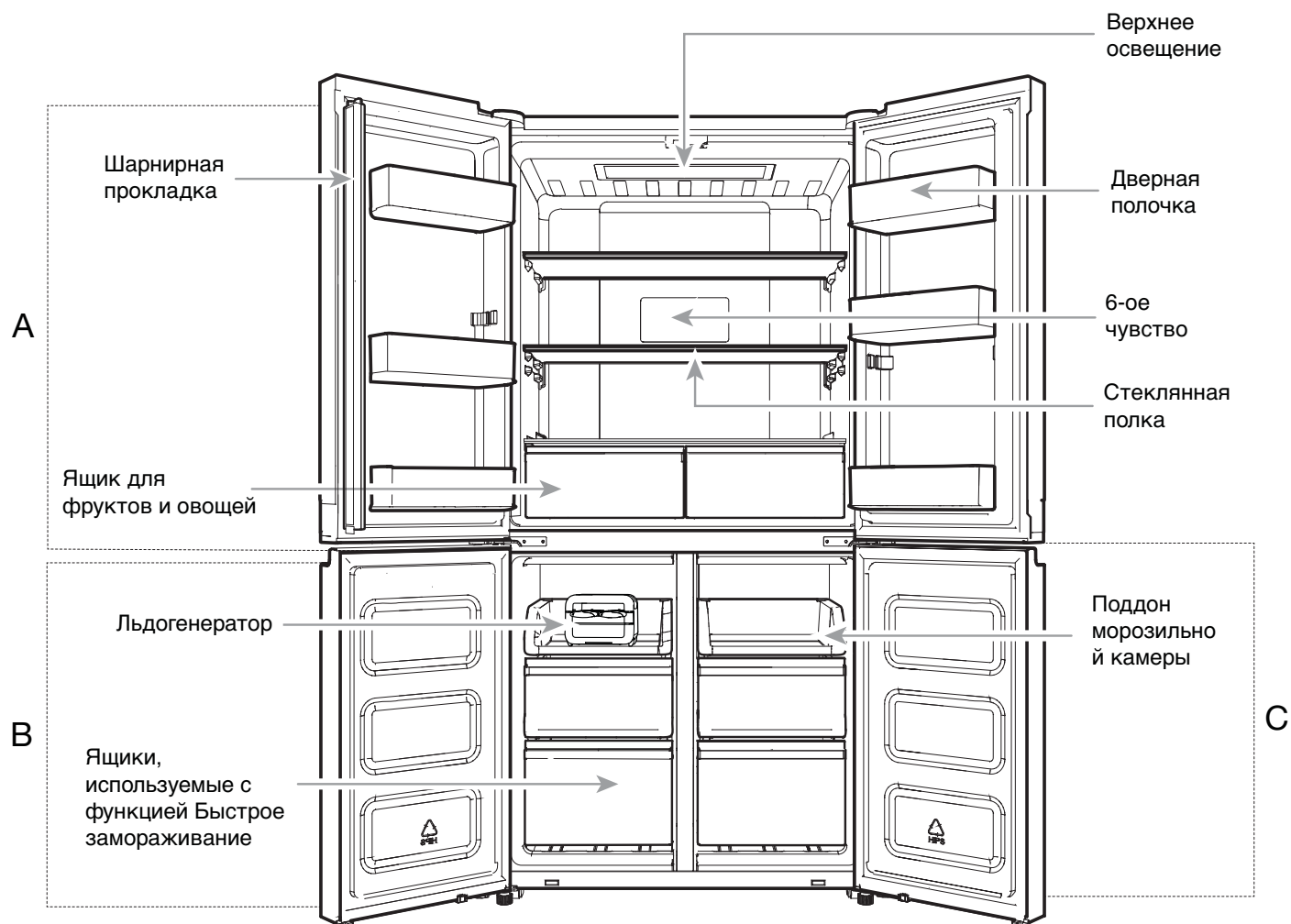
- Снимите дверцы.
- Оставьте полки на месте для того, чтобы дети не могли забраться внутрь.



#### **Важная информация, которую следует знать об утилизации хладагентов:**

Утилизируйте хладагенты в соответствии с федеральными и местными нормативами. Удаление хладагента из системы должно производиться лицензированным специалистом по холодильным установкам в соответствии с установленными правилами.

# СОСТАВНЫЕ ЧАСТИ И ФУНКЦИИ



- A . Холодильная камера
- B . Морозильная камера
- C . Отделение Flexi Freeze (только с WQ9 B1L, 6WM591NIHAS и WQ70900SXX)



# УКАЗАНИЯ ПО УСТАНОВКЕ

## Начало работы

### СПИСОК ПРОВЕРОК ПОСЛЕ УСТАНОВКИ

#### ✓ Электропитание

## ⚠ ПРЕДОСТЕРЕЖЕНИЕ



### Опасность поражения электрическим током

Вставьте вилку сетевого шнура в заземленную электрическую розетку.

Не снимайте контакт заземления.

Не используйте переходники.

Не используйте удлинители.

Невыполнение этих указаний может привести к смертельной травме, возгоранию или поражению электрическим током.

- Вставьте вилку сетевого шнура холодильника в заземленную электрическую розетку.

#### ✓ Дверцы

- В случае необходимости снятия дверец в ходе установки руководствуйтесь указаниями, приведенными в разделах «Снятие и перевешивание дверец холодильной камеры» и «Снятие и установка передней панели ящика морозильной камеры».
- Дверцы плотно закрываются.
- Холодильник выровнен. Отрегулируйте положение выравнивающих ножек так, чтобы они упирались в пол.
- Верхние края дверец находятся на одном уровне. (При необходимости выровняйте дверцы).

#### ✓ Заключительные проверки

- Удалите все транспортировочные материалы.
- Установите регуляторы температуры на рекомендованные значения.
- Сохраните инструкции и другую документацию.
- Для получения дополнительной технической поддержки зарегистрируйте приобретенное вами изделие на сайте [www.whirlpool.eu/register](http://www.whirlpool.eu/register).

## Распаковка холодильника

## ⚠ ПРЕДОСТЕРЕЖЕНИЕ

### Опасность подъема слишком большого веса

Перемещение и установку холодильника должны выполнять как минимум два человека.

В противном случае возможны травма спины или другие травмы.

### Доставка холодильника

Минимальная ширина дверного проема в вашей квартире должна составлять 838 мм (33 дюйма). Если ширина дверного проема составляет 914 мм (36 дюймов) или менее, потребуется снять с холодильника дверцы, выдвижной ящик и петли.

При любой ширине дверного проема заносите холодильник, держа его с боковых сторон.

### При передвижении вашего холодильника:

Ваш холодильник тяжелый. При передвижении холодильника ввиду необходимости его чистки или ремонта не забудьте накрыть пол картоном или ДВП во избежание его повреждения. При передвижении холодильника всегда поддерживайте его в вертикальном положении. Не качайте и не перемещайте холодильник с одного угла на другой во избежание повреждения пола.

### Снятие упаковки

- Перед включением холодильника удалите скотч и остатки клея. Пальцами разотрите немного жидкого средства для мытья посуды на поверхности скотча. Затем сполосните теплой водой и вытрите.
- Не используйте для удаления скотча и клея острые инструменты, спирт, воспламеняющиеся жидкости или абразивные чистящие средства. Использование этих средств может привести к повреждению поверхности вашего холодильника.
- Утилизируйте/направьте на вторичную переработку все упаковочные материалы.

### Чистка перед началом эксплуатации

После удаления упаковки и перед тем как приступить к эксплуатации холодильника, вымойте его изнутри. См. указания по чистке в разделе «Уход за холодильником».

### Важная информация, которую нужно знать о стеклянных полках и крышках:

Не мойте стеклянные полки или крышки горячей водой, пока они холодные. Полки и крышки могут лопнуть в случае резкого изменения температуры или сильного удара. Закаленное стекло изготовлено таким образом, что оно разбивается на множество очень мелких кусков, размером с гальку. Это - нормальное явление. Стеклянные полки и крышки - тяжелые. Когда вы вынимаете их, берите их двумя руками, чтобы не уронить.

## Требования к помещению

### ⚠ ПРЕДОСТЕРЕЖЕНИЕ

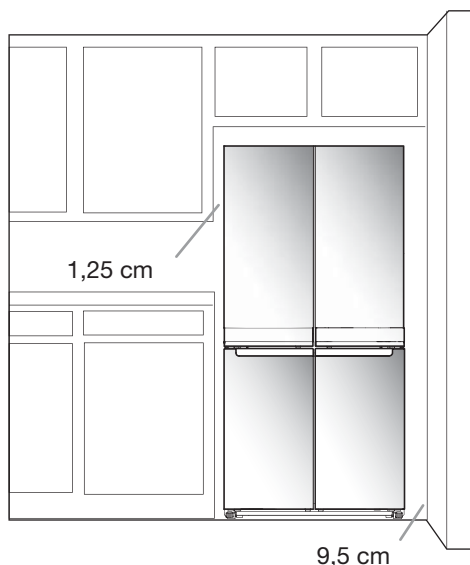


#### Опасность взрыва

Держите материалы, являющиеся воспламеняемыми и выделяющие пары, например, бензин, на удалении от холодильника. В противном случае возможна смертельная травма, взрыв или возгорание.

Для обеспечения надлежащей вентиляции вашего холодильника оставьте свободное пространство шириной 1,25 см с каждой из его сторон и над ним. Оставьте пространство в 5 см с задней стороны холодильника. Если ваш холодильник оснащен льдогенератором, оставьте дополнительное свободное пространство с его задней стороны для обеспечения подсоединения к водопроводу. При установке холодильника у стены оставьте между ними зазор как минимум в 9,5 см, чтобы дверца могла свободно открываться.

**ПРИМЕЧАНИЕ:** Данный прибор предназначен для установки в помещении, температура воздуха в котором находится в пределах от минимум 10°C по максимум 43°C. Предпочтительная температура воздуха в помещении для обеспечения оптимальной эффективности работы прибора, при которой снижается потребление электроэнергии и улучшается охлаждение, находится в пределах от 15°C до 32°C. Рекомендуется не устанавливать прибор вблизи от источников тепла, например, духовок или радиаторов отопления.



## Требования к электрическому подключению и электробезопасности

### ⚠ ПРЕДОСТЕРЕЖЕНИЕ



Опасность поражения электрическим током  
Вставьте вилку сетевого шнура в заземленную электрическую розетку.

Не снимайте контакт заземления.

Не используйте переходники.

Не используйте удлинители.

Невыполнение этих указаний может привести к смертельной травме, возгоранию или поражению электрическим током.

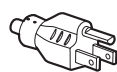
**ВАЖНАЯ ИНФОРМАЦИЯ:** Электрическое подключение прибора должно выполняться квалифицированным электриком в соответствии с указаниями изготовителя и местными нормативами по безопасности.

- Холодильник предназначен для работы с электропитанием от отдельной электрической сети напряжением 220-240 В, током 10 А и частотой 50/60 Гц.
- Убедитесь, что напряжение, указанное на табличке технических данных прибора, соответствует напряжению в вашем доме.
- Должна быть обеспечена возможность отключения прибора от сети электропитания с помощью вынимания вилки сетевого шнура из розетки или отключения двухполюсного выключателя, расположенного в электрической цепи перед розеткой.
- В случае повреждения сетевого шнура его замена должна осуществляться изготовителем, работником сервисного центра или другим работником с аналогичной квалификацией во избежание риска поражения электрическим током.

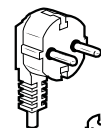
Перед тем как перемещать холодильник в место его окончательной установки, необходимо убедиться в наличии необходимого электропитания:

#### Рекомендуемый метод заземления:

Прибор можно включать только в электрическую сеть 220-240 В 50 Гц, 220 В 60 Гц или 230/240 В 50 Гц, защищенную предохранителем номиналом 10 и имеющую защитное заземление.



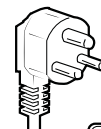
Тип В



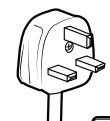
Типы Е и F



Тип I



Тип М



Тип G

### Для Австралии и Новой Зеландии:

Ваш новый прибор специально разработан для удовлетворения всем требованиям австралийских стандартов и нормативов.

Некоторые пункты в указаниях по монтажу относятся к правилам электрического подключения, действующим в других странах, поэтому мы обращаем ваше внимание на эти специфические положения.

Ваш прибор следует включать только в заземленную розетку с номинальным током 10 А электрической сети напряжением 230/240 В частотой 50 Гц

### Требования к электрическому подключению (только для Великобритании и Ирландии)

**ВАЖНАЯ ИНФОРМАЦИЯ:** Данный холодильник необходимо заземлить.

#### Замена предохранителя

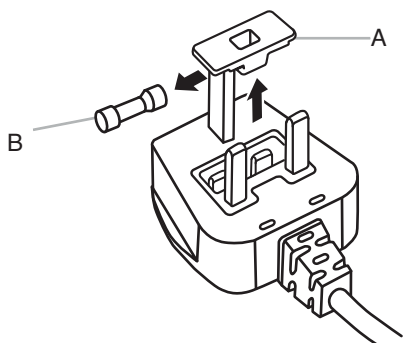
Если сетевой шнур холодильника оснащен вилкой BS1363A с встроенным предохранителем номиналом 13 А, для замены этого предохранителя используйте предохранитель, соответствующий нормативам А.С.Т.А. типа BS 1362, и действуйте следующим образом:

1. Снимите крышку предохранителя (А) и выньте предохранитель (В).
2. Вставьте в крышку запасной предохранитель номиналом 13 А.
3. Вставьте в вилку предохранитель вместе с крышкой.

**ВАЖНАЯ ИНФОРМАЦИЯ:** При замене предохранителя его крышка должна быть установлена на место. В случае утери крышки вилку не следует использовать до тех пор, пока не будет приобретена и установлена новая крышка.

Правильность установки определяется по цветной вставке или цветному «слову», выдавленному в основании вилки.

Запасную крышку предохранителя можно приобрести в магазине электротоваров.



А. Крышка предохранителя  
В. Предохранитель

### Для Ирландской республики (только):

Информация, приведенная относительно Великобритании, часто действительна и для Ирландии, однако в этой стране также используется и третий тип вилки/розетки с 2 рабочими контактами и боковым контактом заземления.

### Электрическая розетка/Вилка (действительно для обеих стран):

Если вилка, которой оснащен сетевой шнур, не подходит к вашей розетке, обратитесь в сервисный центр за дальнейшими указаниями. Не пытайтесь заменить вилку самостоятельно.

Эта операция должна выполняться квалифицированным электриком в соответствии с указаниями изготовителя и действующими нормативами по безопасности.

### Температура

Данный холодильник предназначен для работы в помещениях, температура в которых лежит в следующих диапазонах - в соответствии с климатическим классом, указанным на табличке технических данных. Холодильник может работать ненадлежащим образом, если на долгое время оставить его при температуре, лежащей вне предусмотренного для него рабочего диапазона.

**ПРИМЕЧАНИЕ:** Рекомендуется не устанавливать холодильник вблизи источников тепла, например, духовок или радиаторов отопления.

Климатический класс	Темп. окр. среды (°C)	Темп. окр. среды (°F)
SN	От 10 до 32	От 50 до 90
N	От 16 до 32	От 61 до 90
ST	От 16 до 38	От 61 до 100
T	От 16 до 43	От 61 до 110

## Снятие и перевешивание дверец холодильника

**ПРИМЕЧАНИЕ:** Измерьте ширину дверного проема в вашей квартире, чтобы понять, нужно ли снимать дверцы холодильника для того, чтобы можно было занести холодильник внутрь. Если необходимо снять дверцы, придерживайтесь приведенных ниже указаний.

**ВАЖНАЯ ИНФОРМАЦИЯ:** Если холодильник ранее был установлен, а теперь вы увозите его из дома, выключите регуляторы температуры перед тем, как приступить к снятию дверец. Выньте вилку сетевого шнура из розетки или отключите электропитание. Выньте из дверец продукты и регулируемые ящички и емкости.

Перед тем как приступить к снятию дверец, подготовьте все необходимые инструменты и прочитайте соответствующие инструкции.

**НЕОБХОДИМЫЕ ИНСТРУМЕНТЫ:** 6-мм ключ, 5-мм ключ и крестовая отвертка #2.



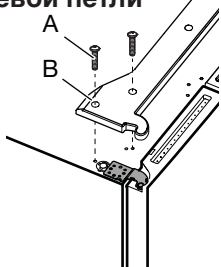
### ⚠ ПРЕДУПРЕЖДЕНИЕ

Опасность поражения электрическим током

Отключите электропитание перед тем, как приступить к снятию дверец.

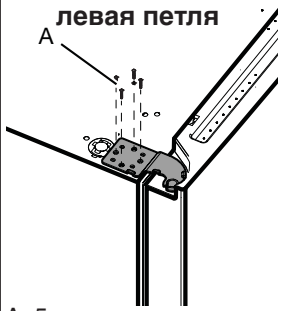
В противном случае возможна смертельная травма или поражение электрическим током.

#### Крышка верхней левой петли



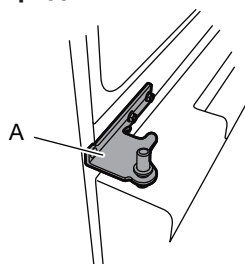
A. Винты крепления крышки верхней петли  
B. Крышка верхней петли

#### Верхняя левая петля



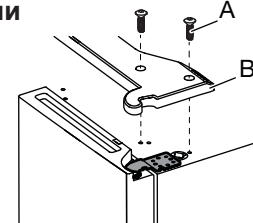
A. 5-мм винты с головкой с внутренним шестигранником

#### Средняя левая петля



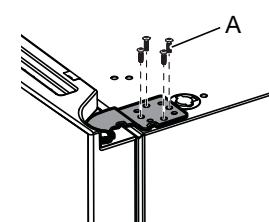
A. Петля

#### Крышка верхней правой петли



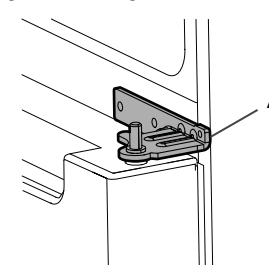
A. Винты крепления крышки верхней петли  
B. Крышка верхней петли

#### Верхняя правая петля



A. 5-мм винты с головкой с внутренним шестигранником

#### Средняя правая петля



A. Петля

## ⚠ ПРЕДОСТЕРЕЖЕНИЕ

Опасность подъема слишком большого веса  
Подъем холодильника должны выполнять как минимум два человека.  
В противном случае возможны травма спины или другие травмы.

### Снятие дверец холодильника

## ⚠ ПРЕДУПРЕЖДЕНИЕ



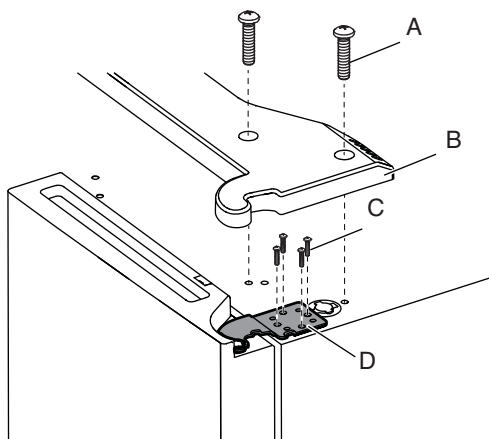
Опасность поражения электрическим током  
Отключите электропитание перед тем, как приступить к снятию дверец.  
В противном случае возможна смертельная травма или поражение электрическим током.

### Снятие правой дверцы

1. Выньте вилку сетевого шнура из розетки или отключите электропитание.
2. Держите дверцы холодильника закрытыми до того, как вы будете готовы снять их с корпуса.

**ПРИМЕЧАНИЕ:** Дополнительно подоприте дверцу холодильника при снятии петель. Не рассчитывайте на то, что магниты прокладки дверцы будут удерживать дверцу на месте, пока вы работаете.

3. С помощью крестовой отвертки снимите крышку с верхней петли.
4. С помощью ключа на 5 мм открутите четыре винта от верхней петли и отложите их в сторон.



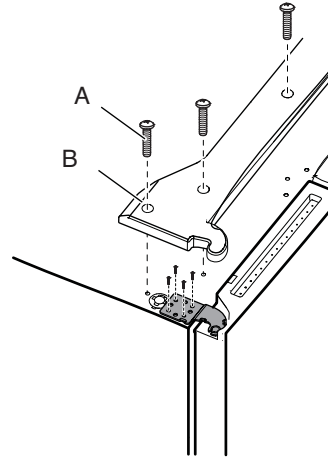
- A. Винт крепления крышки верхней петли  
B. Крышка верхней петли  
C. 5-мм винты с головкой с внутренним шестигранником  
D. Верхняя петля

5. Снимите дверцу холодильника с пальца средней петли. Верхняя петля отсоединится от корпуса вместе с дверцей.

### Снятие левой дверцы

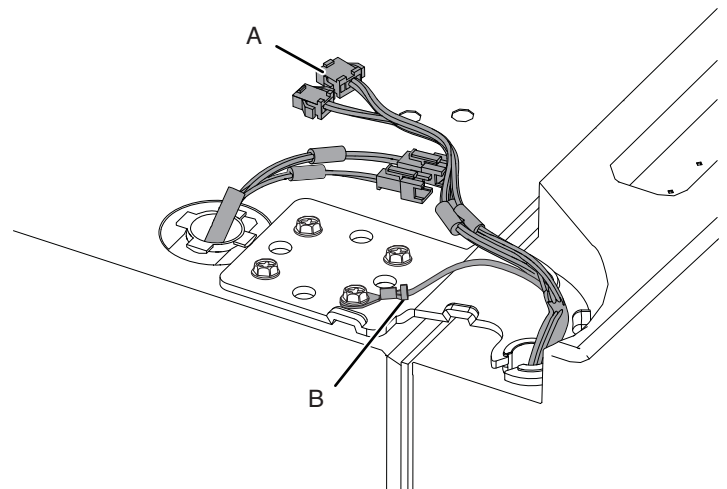
**ВАЖНАЯ ИНФОРМАЦИЯ:** Электропроводка интерфейса пользователя проходят через петлю левой дверцы поэтому ее следует отсоединить перед снятием дверцы.

1. С помощью крестовой отвертки снимите крышку с верхней петли.



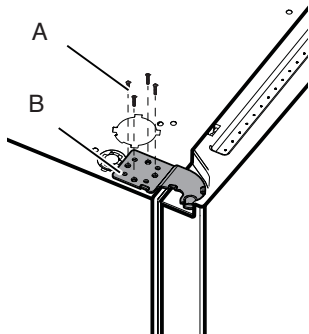
- A. Винт крепления крышки верхней петли  
B. Крышка верхней петли

2. Отсоедините два электрических разъема, расположенных над петлей дверцы.
  - Возьмитесь за края разъемов. Большим пальцем левой руки нажмите на защелку для ее высвобождения и разъедините составные части разъемов.



- A. Разъем электропроводки  
B. Разъем заземления

- С помощью ключа на 5 мм открутите четыре внутренних винта от верхней петли и отложите их в сторону.



A. 5-мм винты с головкой с внутренним шестигранником  
B. Верхняя петля

**ПРИМЕЧАНИЕ:** Дополнительно подоприте дверцу холодильника при снятии петель. Не рассчитывайте на то, что магниты прокладки дверцы будут удерживать дверцу на месте, пока вы работаете.

- Снимите дверцу холодильника с пальца нижней петли. Верхняя петля отсоединится от корпуса вместе с дверцей.

**ПРИМЕЧАНИЕ:** Чтобы холодильник прошел через дверной проем, может потребоваться снятие нижних петель и опорных ножек.

- Только в случае необходимости снимите среднюю петлю, используя 6-мм ключ и крестовую отвертку #2.

#### Установка правой дверцы холодильной камеры

- Наденьте правую дверцу на палец средней петли.
- Вставьте палец верхней петли в отверстие в верхней части дверцы холодильной камеры.
- С помощью четырех 5-мм винтов с головкой с внутренним шестигранником прикрутите петлю к корпусу. Не затягивайте винты до упора.

#### Установка левой дверцы холодильной камеры

- Наденьте левую дверцу на палец средней петли.
- С помощью четырех 5-мм винтов с головкой с внутренним шестигранником прикрутите петлю к корпусу. Не затягивайте винты до упора.
- Восстановите электрические соединения.
  - Соедините обе части разъема.
  - Подсоедините проводник заземления к винту петли.

#### Заключительные шаги

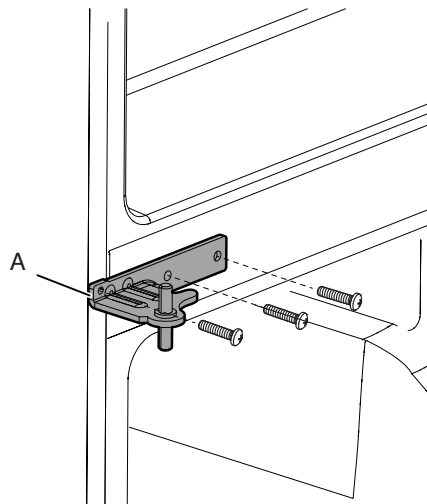
- Затяните до упора восемь 5-мм винтов с головкой с внутренним шестигранником.
- Установите на место крышки верхних петель.

## Снятие и установка на место дверцы морозильной камеры/отделения Flexi Freeze

- Держите дверцы морозильной камеры закрытыми до того, как вы будете готовы снять их с корпуса.

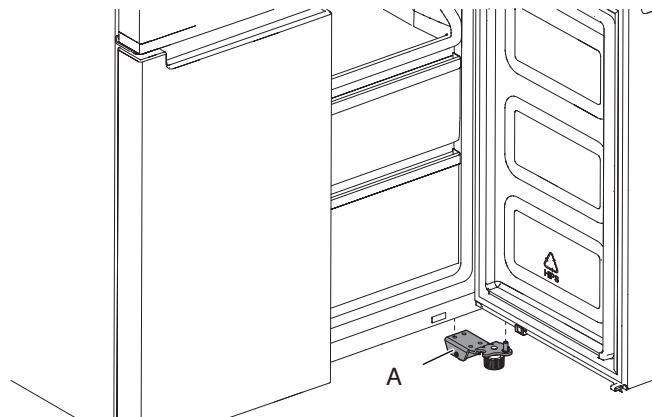
**ПРИМЕЧАНИЕ:** Дополнительно подоприте дверцу морозильной камеры при снятии петель. Не рассчитывайте на то, что магниты прокладки дверцы будут удерживать дверцу на месте, пока вы работаете.

- С помощью крестовой отвертки #2 и 6-мм ключа открутите среднюю петлю от корпуса.



A. Средняя петля

- Снимите дверцу морозильной камеры с пальца нижней петли.



A. Нижняя петля

## ⚠ ПРЕДОСТЕРЕЖЕНИЕ



### Опасность поражения электрическим током

Вставьте вилку сетевого шнура в заземленную электрическую розетку.

Не снимайте контакт заземления.

Не используйте переходники.

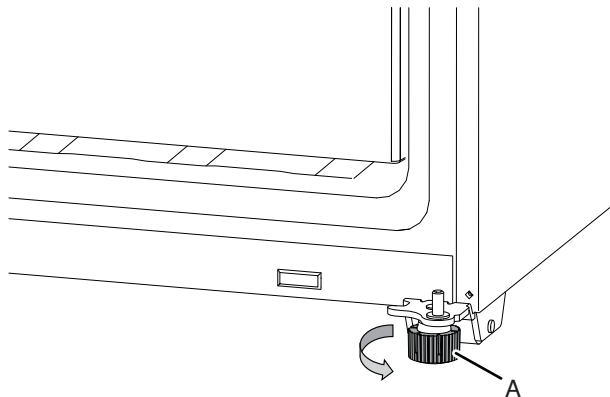
Не используйте удлинители.

Невыполнение этих указаний может привести к смертельной травме, возгоранию или поражению электрическим током.

1. Вставьте вилку сетевого шнура в заземленную электрическую розетку.
2. Верните на место все съемные части и продукты.

## Выравнивание холодильника

1. Переместите холодильник в место его окончательной установки.
2. Вручную выставьте опорные ножки. Поворачивайте их против часовой стрелки до тех пор, пока колесики не оторвутся от пола, а обе опорные ножки не упрутся в пол. Это предотвратит выкатывание холодильника вперед при открывании дверец.



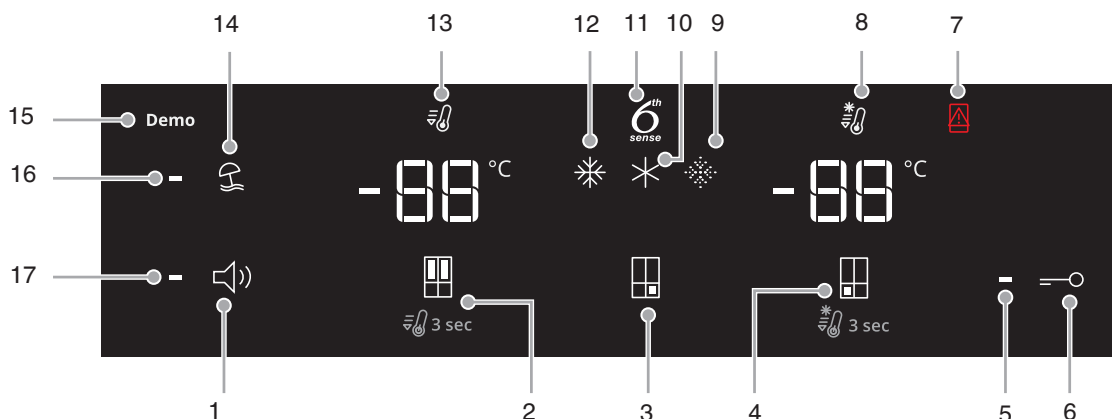
А. Опорные ножки

**ВАЖНАЯ ИНФОРМАЦИЯ:** Если потребуется выполнить дополнительную регулировку положения опорных ножек, следует поворачивать обе ножки на одинаковый угол, чтобы холодильник оставался выровненным.

3. С помощью строительного уровня убедитесь в том, что холодильник выровнен в поперечном и продольном направлениях.

## Использование органов управления

Сенсорные кнопки управления расположены на левой дверце холодильной камеры. Панель управления содержит информацию о различных кнопках и индикаторах. Индикаторы температуры холодильной и морозильной камер показывают последние уставки температуры.



1. Кнопка включения/выключения звука
2. Кнопка регулировки температуры холодильной камеры (удерживайте ее нажатой 3 секунды для включения функции Fast Cool)
3. Кнопка переключения предварительно заданной температуры в отделении Flexi Freeze (только с моделями WQ9 B1L, 6WM591NIHAS и WQ70900SXX)
4. Кнопка регулировки температуры морозильной камеры (удерживайте ее нажатой 3 секунды для включения функции Fast Freeze)
5. Индикатор блокировки клавиш
6. Кнопка блокировки кнопок
7. Индикатор открытой дверцы
8. Индикатор функции Fast Freeze
9. Индикатор мягкого режима морозильной камеры (только с моделями WQ9 B1L, 6WM591NIHAS и WQ70900SXX)
10. Индикатор умеренного режима морозильной камеры (только с моделями WQ9 B1L, 6WM591NIHAS и WQ70900SXX)
11. Индикатор функции «6-е чувство»
12. Индикатор традиционного режима морозильной камеры (только с моделями WQ9 B1L, 6WM591NIHAS и WQ70900SXX)
13. Индикатор функции Fast Cool
14. Кнопка включения/выключения режима «Отпуск»
15. Индикатор демонстрационного режима (только на моделях WQ9 B1L, 6WM591NIHAS и WQ70900SXX)
16. Индикатор режима «Отпуск»
17. Индикатор включения звука

Если не нажимать ни на одну клавишу в течение минуты, панель управления автоматически выключится. Для включения панели управления нажмите любую клавишу.

### -88 Просмотр и изменение уставок температуры

#### Регулировка температуры холодильной и морозильной камер:

Для вашего удобства регуляторы температуры холодильной и морозильной камер уже установлены на заводе-изготовителе на рекомендуемые значения.

При первой установке вашего холодильника проверьте, чтобы регуляторы температуры были установлены на рекомендуемые значения. Рекомендованные заводские уставки: 3°C для холодильной камеры -18°C для морозильной камеры.

При нажатии кнопок регулировки температуры морозильной и холодильной камер будет изменяться соответствующая уставка температуры в градусах Цельсия (°C).

#### ВАЖНАЯ ИНФОРМАЦИЯ:

- Подождите 24 часа перед тем, как помещать продукты в холодильную камеру. В противном случае продукты могут испортиться.

**ПРИМЕЧАНИЕ:** Установка регуляторов температуры на более низкие по сравнению с рекомендованными значения не приведет к тому, что камеры быстрее наберут холод.

- Если температура в холодильной или морозильной камере слишком высокая или слишком низкая, перед тем как регулировать заданную температуру, убедитесь в том, что вентиляционные отверстия не перегорожены.
- Рекомендованные значения соответствуют нормальной эксплуатации холодильника в бытовых условиях. Регуляторы температуры выставлены правильно, если молоко или сок охлаждаются так как вам нужно, а мороженое не тает.  
**ПРИМЕЧАНИЕ:** Такие помещения как гаражи, подвалы или лоджии могут отличаться более высокой влажностью или экстремальными температурами окружающей среды. Вам может потребоваться изменение рекомендованных уставок температуры для адаптации к этим условиям.
- Дайте пройти минимум 24 часам между регулировками температуры. Еще раз проверьте заданные значения температуры перед тем, как переходить к другим настройкам.



## Датчики функции «6-е чувство» холодильной и морозильной камер


Датчик функции «6-е чувство» холодильной камеры обеспечивает точную и постоянную температуру в холодильной камере, позволяя наиболее естественным образом увеличить срок хранения свежих продуктов. Обнаружив изменение температуры, датчик включает компрессор, который быстро восстанавливает первоначальную температуру.

Датчик функции «6-е чувство» морозильной камеры минимизирует колебания температуры в морозильной камере благодаря инновационной системе управления температурой. При этом снижаются морозные ожоги, что способствует сохранению качества и цвета продуктов.

### Установка функции Flexi Freeze (только с моделям WQ9 B1L, 6WM591NIHAS и WQ70900SXX)

Функция Flexi Freeze позволяет переключать значения предварительно заданной температуры в отделении Flexi Freeze.

Символ	Функция	Температура
	Традиционный режим морозильной камеры	-18°C
	Умеренный режим морозильной камеры	-12°C
	Мягкий режим морозильной камеры	-7°C

\* Для задания максимально низкой температуры (-20°C) нажмите кнопку выбора предварительно заданной температуры функции Flexi Freeze  и удерживайте ее нажатой в течение 3 секунд.

### Изменение уставок температуры



- Традиционный режим морозильной камеры (-18°C): Уже замороженные и свежие продукты (макс. 12 месяцев)
- Умеренный режим морозильной камеры (-12°C): Уже замороженные продукты (макс. 1 месяц)
- Мягкий режим морозильной камеры (-7°C): Уже замороженные продукты (макс. 1 неделя)

При изменении уставок температуры руководствуйтесь следующей таблицей:

СОСТОЯНИЕ	РЕКОМЕНДУЕМОЕ ИЗМЕНЕНИЕ ЗАДАННОЙ ТЕМПЕРАТУРЫ
Слишком низкая температура в холодильной камере	Повысьте уставку температуры в холодильной камере на 1°
Слишком высокая температура в холодильной камере	Понижьте уставку температуры в холодильной камере на 1°
Слишком низкая температура в морозильной камере	Повысьте уставку температуры в морозильной камере на 1°
Слишком высокая температура в морозильной камере/слишком мало льда	Понижьте уставку температуры в морозильной камере на 1°



## Fast Cool

Функция Fast Cool («Быстрое охлаждение») полезна в период интенсивного использования холодильной камеры, полной загрузки в нее продуктов или временного повышения температуры в помещении.

- Для включения функции Fast Cool нажмите кнопку регулировки температуры холодильной камеры  и удерживайте ее нажатой в течение 3 секунд. При включении функции Fast Cool загорится соответствующий ей символ. Если не выключать функцию Fast Cool вручную, она останется включенной на протяжении 2 часов.
- Для ручного выключения функции Fast Cool нажмите кнопку регулировки температуры холодильной камеры  и удерживайте ее нажатой в течение 3 секунд. При выключении функции Fast Cool соответствующий ей символ гаснет.
- Изменение заданной температуры холодильной камеры влечет за собой автоматическое выключение функции Fast Cool.

## Fast Freeze

Количество свежих продуктов, которое можно заморозить в течение 24 часов, указано на табличке технических данных прибора.

- Нажмите кнопку регулировки температуры морозильной камеры  и удерживайте ее нажатой в течение 3 секунд (до тех пор, пока не загорится индикатор функции Fast Freeze), за 24 часа до закладки свежих продуктов в морозильную камеру. После закладки свежих продуктов в морозильную камеру обычно достаточно, чтобы функция Fast Freeze действовала 24 часа; спустя 50 часов функция Fast Freeze автоматически выключается.
- Для ручного выключения функции Fast Freeze нажмите кнопку регулировки температуры морозильной камеры  и удерживайте ее нажатой в течение 3 секунд. При этом символ функции Fast Freeze погаснет.
- Изменение заданной температуры морозильной камеры влечет за собой автоматическое выключение функции Fast Freeze.

## Режим «Отпуск»

Этот режим предназначен для того, чтобы предотвратить напрасное потребление энергии вашим холодильником в тех случаях, когда он не используется на регулярной основе (например тогда, когда вы уезжаете в отпуск).

При выборе этого режима автоматически выбирается уставка температуры холодильной камеры, соответствующая минимуму холода.

- Для включения режима «Отпуск» нажмите соответствующую кнопку и держите ее нажатой о тех пор, пока на дисплее не загорится индикатор режима «Отпуск».
- Для выхода из режима «Отпуск» нажмите соответствующую кнопку и держите ее нажатой о тех пор, пока индикатор этого режима на дисплее не погаснет.
- Изменение заданной температуры холодильной камеры влечет за собой автоматическое выключение режима «Отпуск».

**ВАЖНАЯ ИНФОРМАЦИЯ:** В случае задания этого режима из холодильной камеры необходимо вынуть все продукты и напитки.

---

## Включение/выключение звука

---

Нажмите эту кнопку для включения /выключения звука.

---

## Блокировка клавиш

---

- Для включения функции блокировки клавиш нажмите кнопку блокировки и удерживайте ее нажатой в течение 3 секунд.
- Для выключения блокировки снова нажмите кнопку блокировки и удерживайте ее нажатой в течение 3 секунд.

Функция блокировки приводит к игнорированию любых действий с панелью управления до тех пор, пока пользователь ее не отключит. Эта функция предназначена для предотвращения непреднамеренного изменения настроек.

---

## Демонстрационный режим (только на моделях WQ9 B1L, 6WMM591NINAS и WQ70900SXX)

---

Этот режим используется, когда холодильник выставлен в магазине, или когда вы хотите выключить охлаждение и все остальные функции (за исключением внутреннего освещения).

Демонстрационный режим может использоваться вами во время вашего продолжительного отпуска. См. в разделе «Отпуск и транспортировка» описание действий, необходимых для того, чтобы оставить ваш холодильник в этом режиме на продолжительное время.


- При включении демонстрационного режима на дисплее загорится символ этого режима.
- Для включения или выключения демонстрационного режима одновременно нажмите на 3 секунды кнопку «Включение/выключение звука» и кнопку блокировки.

## Дополнительные функции

---

### Аварийный сигнал открытой дверцы

---

- Аварийный сигнал открытой дверцы подается в виде звукового сигнала и мигания символа «Открытая дверца»  в тех случаях, когда любая из четырех дверец остается открытой на протяжении 2 или более минут.
- Аварийный сигнал будет повторяться каждые 5 минуты. Для его отключения закройте все дверцы.

**ПРИМЕЧАНИЕ:** Для отключения звукового сигнала при открытых дверцах, например, при чистке внутренней части холодильника, нажмите любую кнопку на панели управления. Звуковой сигнал временно будет отключен, но символ «Открытая дверца» продолжит гореть на дисплее панели управления.

---

## Внутреннее освещение холодильника

Холодильник оснащен лампочкой внутреннего освещения, которая загорается при каждом открывании его дверцы.

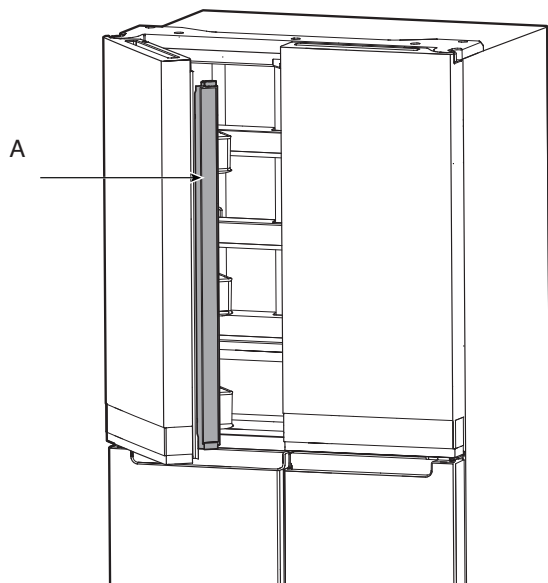
**ПРИМЕЧАНИЕ:** Эта лампочка - светодиодная и не нуждается в замене. Если при открытии дверцы светодиодная лампочка не загорается, обратитесь в сервисный центр для ее замены.

# ЭКСПЛУАТАЦИЯ ХОЛОДИЛЬНИКА

## Открытие и закрытие дверей

В холодильной камере имеются две двери. Двери можно открывать и закрывать как вместе, так и по отдельности. Левая дверь холодильника оснащена шарнирной прокладкой.

- При открывании левой двери шарнирная прокладка автоматически подгибается вовнутрь.
- Когда обе двери закрыты, прокладка автоматически образует уплотнение между ними.

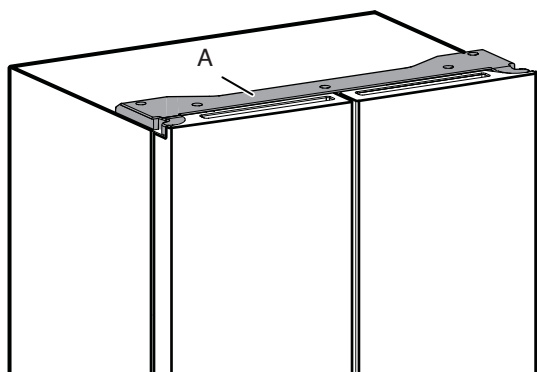


А. Шарнирная прокладка

Дверные выключатели холодильной камеры расположены в крышках левой и правой верхних петель.

- Дверной выключатель морозильной камеры и многотемпературной зоны расположен в нижнем среднике.
- Расположенный в двери микропереключатель детектирует открытое/закрытое положение двери с помощью магнита.
- Убедитесь, что в радиусе 7,62 см от крышки петли нет магнитов или электронных устройств (динамиков, аудиосистем CoolVox® и др.).

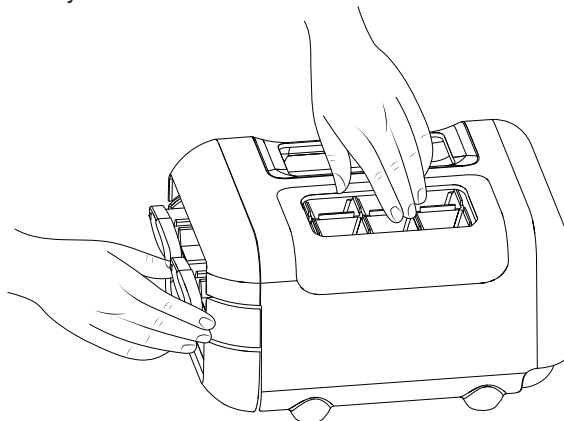
**ПРИМЕЧАНИЕ:** Если детектирования открытого положения двери не произошло, освещение не загорится.



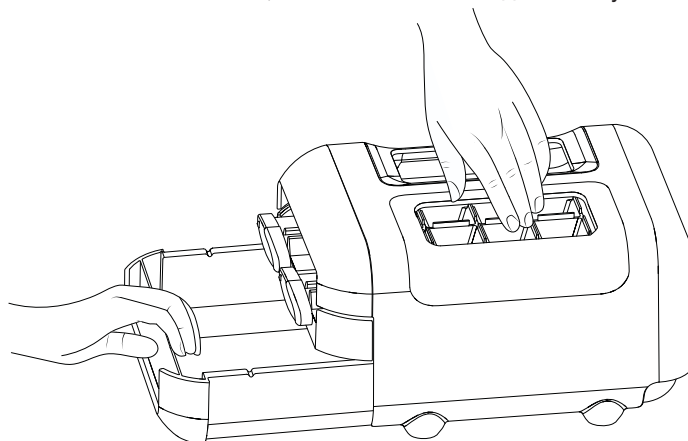
А. Крышка петли

## Льдогенератор

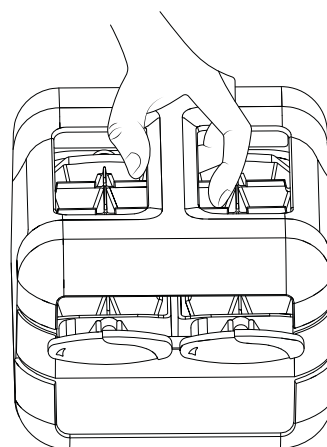
- Для приготовления льда налейте на поддон чистую воду и установите ручной льдогенератор на верхнюю полку морозильной камеры. Дождитесь образования льда, и когда лед будет готов, поверните ручки по часовой стрелке, чтобы выбросить кубики льда в специальную ванночку.



- Слегка приподнимите ванночку для кубиков льда и потяните ее на себя, чтобы можно было достать кубики.



Если лед вам больше нужен, ручной льдогенератор можно вынуть из морозильной камеры, чтобы освободить место для продуктов.



## Хранение продуктов

### Хранение яиц

Для сохранения свежести яиц рекомендуется хранить их при постоянной температуре, поэтому лучше всего держать на средней полке холодильной камеры.

# ПОЛКИ, ДВЕРНЫЕ ЯЩИКИ И ВЫДВИЖНЫЕ ЯЩИКИ

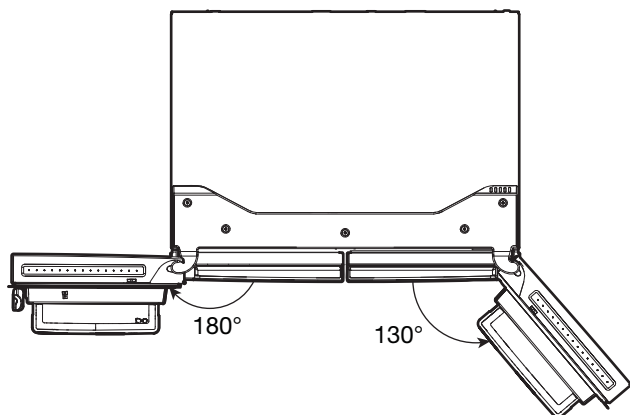
## Важная информация, которую нужно знать о стеклянных полках и крышках:

Не мойте стеклянные полки или крышки горячей водой, пока они холодные. Полки и крышки могут лопнуть в случае резкого изменения температуры или сильного удара. Закаленное стекло изготовлено таким образом, что оно разбивается на множество очень мелких кусков, размером с гальку. Это - нормальное явление. Стеклянные полки и крышки - тяжелые. Когда вы вынимаете их, берите их двумя руками, чтобы не уронить.

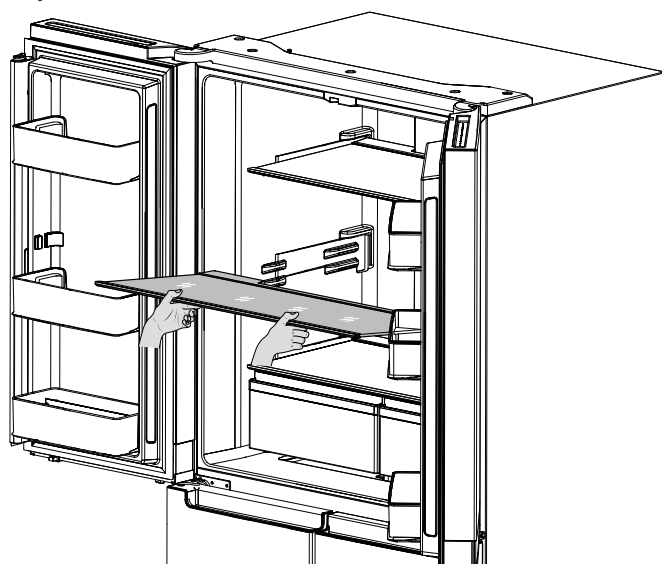
## Регулировка высоты полки

Высоту полки можно регулировать путем изменения места ее установки с нижних опор на верхние и наоборот

- Откройте правую дверцу до упора.
- Откройте левую дверцу до упора и затем поднимите дверцу так, чтобы открыть ее на  $180^\circ$ .



- Выньте полку из холодильной камеры и установите ее в нужное положение.



- Удостоверьтесь в том, что полка плотно встала на держатели.

## Полки и их рамы

Положение полок вашего холодильника можно регулировать в зависимости от ваших индивидуальных потребностей в отношении хранения продуктов.

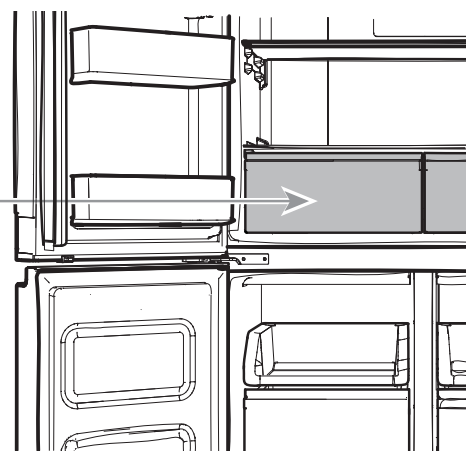
Хранение похожих продуктов в одном месте и регулировка положения полок в соответствии с различной высотой хранящихся продуктов помогут вам легче найти нужные продукты. Это также снизит время, в течение которого дверцы холодильной камеры являются открытыми и позволит сэкономить электроэнергию.

## Снятие и установка полок:

1. Откройте правую и левую дверцы до упора и поднимите левую дверцу так, чтобы открыть ее на  $180^\circ$ .
2. Снимите среднюю или верхнюю полку с держателей, приподняв ее. Затем потяните полку на себя и поверните ее вниз в вертикальное положение. Поверните полку на некоторый угол и выньте из холодильника.
3. Снимите нижнюю полку с держателей, приподняв ее. Затем потяните полку на себя и поверните ее вверх в вертикальное положение. Поверните полку на некоторый угол и выньте из холодильника.
4. Установите на место верхнюю и среднюю полки, вставляя их в холодильную камеру под углом, при этом передние края полок должны быть опущены. Поднимите передний край полки и сдвиньте ее внутрь так, чтобы задняя часть полки легла на держатели. Опустите передний край полки и убедитесь, что она встала на свое место.
5. Установите на место нижнюю полку, вставляя ее в холодильную камеру под углом, при этом передний край полки должен быть приподнят. Поднимите передний край полки и сдвиньте ее внутрь так, чтобы задняя часть полки легла на держатели. Опустите передний край полки и убедитесь, что она встала на свое место.

## Ящики для фруктов и овощей

Ящик для фруктов и овощей

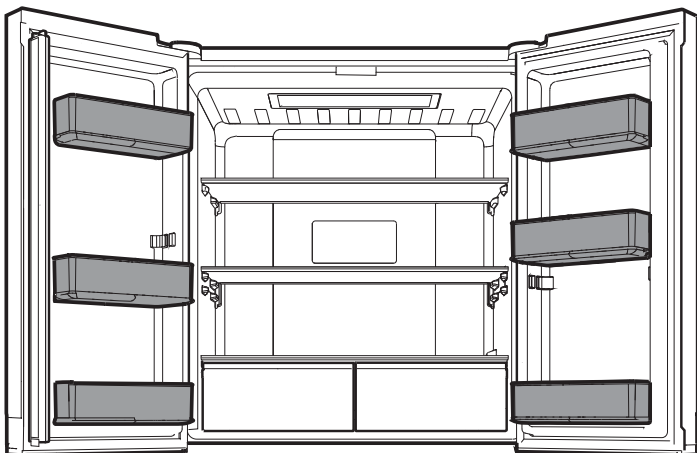


## Внимание и установка на место ящиков для фруктов и овощей:

1. Возьмитесь за ручку ящика для фруктов и овощей и выдвиньте его до упора. Снимите ящик для фруктов и овощей с нижней направляющей.
2. Чтобы установить ящик для фруктов и овощей на место, установите его на нижнюю направляющую и задвиньте внутрь до упора.

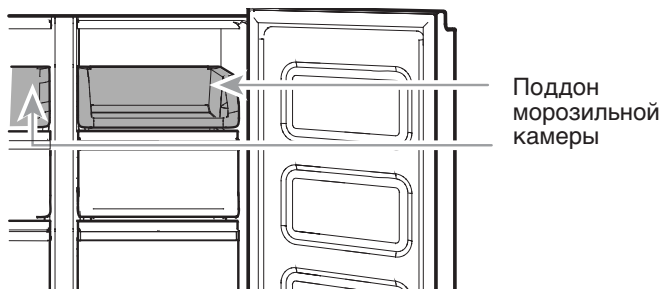
## Дверные полочки холодильника

Положение полок, расположенных в дверцах вашего холодильника можно регулировать в зависимости от ваших индивидуальных потребностей в отношении хранения продуктов.



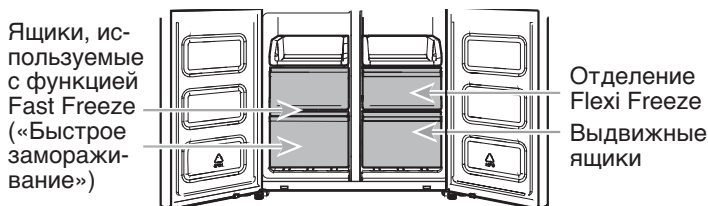
## Отделения морозильной камеры

### Поддон морозильной камеры



Поддон морозильной камеры используется для обеспечения легкого доступа к часто используемым продуктам, замороженным или просто оставшимся от еды, а также небольшим упаковкам.

### Ящики морозильной камеры



Ящики, используемые с функцией Fast Freeze («Быстрое замораживание»)

Отделение Flexi Freeze  
Выдвижные ящики

### Отделение Fast Freeze («Быстрое замораживание»)

- Ящики морозильной камеры позволяют хранить продукты, имеющие большой объем.
- Функция Fast Freeze позволяет хранить все ваши замороженные продукты в безопасности и совершенной «прозрачности».

### Отделение Flexi Freeze (только с моделями WQ9 B1L, 6WM591NIHAS и WQ70900SXX)

Отделение Flexi Freeze позволяет пользователю выбирать один из трех уровней температуры морозильной камеры:  $-7^{\circ}\text{C}$ ,  $-12^{\circ}\text{C}$  и  $-18^{\circ}\text{C}$  для обеспечения наилучших условий хранения для различных типов продуктов.

Для увеличения полезного объема морозильной камеры вы можете вынуть ее выдвижной ящик, открыв непосредственный доступ к полке морозильной камеры.

## Вынимание верхнего выдвижного ящика:

1. Возьмитесь за ручку ящика и выдвиньте его до упора. Снимите ящик с нижней направляющей.
2. Чтобы установить ящик на место, установите его на нижнюю направляющую и задвиньте внутрь до упора.

## Полка морозильной камеры (только на моделях WQ9 E1L и WQ9 B1L)

Для увеличения полезного объема морозильной камеры вы можете вынуть средний ящик, открыв доступ к расположенной под ним полке. Затем вы можете временно убрать верхний ящик в кладовку и размещать продукты непосредственно на полке.

## Таблица звуковых сигналов

### Распределение тонов

Название тона	Примеры использования
Включение питания	Система охлаждения включается всякий раз, когда на прибор подается электричество.
Нажатие кнопки	Пользователь правильно нажимает кнопку.
Неверное действие (Ошибка)	Пользователь одновременно нажимает две или несколько кнопок. Прерывание обратного отсчета в случае, когда требуется нажать и удерживать какую-либо кнопку.
Активация	Подтверждение входа в любой режим.
Деактивация	Подтверждение выхода из любого режима.
Аварийный сигнал	Аварийный сигнал открытой дверцы.

В данной таблице приводится лишь ориентировочная информация. Подробности см. в соответствующих разделах. В случае разночтений приоритет принадлежит соответствующему разделу руководства.

## Дополнительные принадлежности

Для заказа дополнительных принадлежностей обращайтесь к дилеру, у которого вы приобрели холодильник.

## Ремонт или сервисное обслуживание

Перед тем как обращаться за выполнением ремонта или сервисного обслуживания, выполните проверки, описанные в разделе «Поиск и устранение неисправностей». Это может сэкономить вам стоимость вызова специалиста. Если, тем не менее, вам потребуется помощь, следуйте приведенным ниже указаниям.

### Если вам требуются запчасти

По вопросам приобретения рекомендованных изготовителем запчастей обращайтесь к дилеру, у которого вы приобрели холодильник.

### Гарантия

За информацией о гарантии обратитесь к дилеру, у которого вы приобрели холодильник.

**Храните настоящее руководство вместе с чеком магазина для возможного использования в будущем. Для получения гарантийного обслуживания вы должны представить чек, подтверждающий дату покупки или установки прибора.**

Запишите следующую информацию о вашем приборе; это поможет вам в необходимом случае получить надлежащее сервисное обслуживание или ремонт. Вам потребуется указать полный номер модели и серийный номер. Номер модели и серийный номер можно найти на табличке технических данных, расположенной на внутренней стенке холодильной камеры.

Название дилерской организации \_\_\_\_\_

Серийный номер \_\_\_\_\_

Адрес \_\_\_\_\_

Телефон \_\_\_\_\_

Модель \_\_\_\_\_

Дата покупки \_\_\_\_\_

# УХОД ЗА ХОЛОДИЛЬНИКОМ

## Чистка

### ПРЕДОСТЕРЕЖЕНИЕ



#### Опасность взрыва

Используйте негорючие моющие средства.

В противном случае возможна смертельная травма, взрыв или возгорание.

Размораживание всех отделений - холодильной и морозильной камер и отделения Flexi freeze (только на моделях WQ9 B1L, 6WM591NIHAS и WQ70900SXX ) выполняется автоматически. Однако примерно раз в месяц чистите все отделения во избежание появления запахов. Немедленно вытирайте пролившися жидкости.

### Чистка наружных поверхностей

Найдите описание чистки, соответствующее вашей модели.

#### Тип 1 — Гладкая дверца

**ВАЖНАЯ ИНФОРМАЦИЯ:** Повреждения, полученные в результате воздействия на гладкое покрытие, вызванные ненадлежащим использованием моющих средств или применением нерекомендованных моющих средств, не покрываются гарантией. Острые или тупые инструменты могут оставить отметки на покрытии.

ИСПОЛЬЗУЙТЕ	НЕ ИСПОЛЬЗУЙТЕ
✓ Мягкую чистую ткань	✗ Абразивные ткани ✗ Бумажные полотенца или газетную бумагу ✗ Стальные губки
✓ Теплый мыльный раствор с мягким моющим средством	✗ Абразивные порошки или жидкости ✗ Спреи для мытья окон ✗ Аммиак ✗ Чистящие средства на кислотной или уксусной основе ✗ Средства для чистки духовок ✗ Огнеопасные жидкости

**ПРИМЕЧАНИЕ:** Бумажные полотенца могут оцарапать светлое покрытие окрашенной дверцы и вызвать его помутнение. Во избежание повреждения покрытия используйте для протирания и полировки дверец только чистую мягкую ткань.

#### Тип 2 — Нержавеющая сталь

##### ВАЖНАЯ ИНФОРМАЦИЯ:

- Используйте только рекомендованные для нержавеющей стали чистящие средства и ткань. Повреждения, полученные в результате воздействия на покрытие из нержавеющей стали, вызванные ненадлежащим использованием моющих средств или применением нерекомендованных моющих средств, не покрываются гарантией.
- Старайтесь не допускать, чтобы приборы с покрытием из нержавеющей стали подвергались воздействию едких или коррозионных веществ с высоким содержанием соли или влажности. Повреждения, полученные в результате воздействия таких веществ, не покрываются гарантией.

ИСПОЛЬЗУЙТЕ	НЕ ИСПОЛЬЗУЙТЕ
✓ Мягкую чистую ткань	✗ Абразивные ткани ✗ Бумажные полотенца или газетную бумагу ✗ Стальные губки
✓ Теплый мыльный раствор с мягким моющим средством	✗ Абразивные порошки или жидкости ✗ Аммиак ✗ Чистящие средства на основе лимонной кислоты ✗ Чистящие средства на кислотной или уксусной основе ✗ Средства для чистки духовок
✓ Для удаления сильных загрязнений используйте только моющие средства для нержавеющей стали, специально предназначенные для применения с электробытовыми приборами. Для заказа такого моющего средства обращайтесь к дилеру, у которого вы приобрели холодильник.	✗ Моющее средство для нержавеющей стали следует использовать только для чистки поверхностей из нержавеющей стали. Не допускайте попадания моющих и полирующих средств для нержавеющей стали на пластиковые детали, например, накладки, крышки диспенсера или дверные уплотнения.

#### Тип 3 — Сталь, устойчивая к отпечаткам пальцев

##### ВАЖНАЯ ИНФОРМАЦИЯ:

- Старайтесь не допускать, чтобы приборы с покрытием из нержавеющей стали подвергались воздействию едких или коррозионных веществ с высоким содержанием соли или влажности. Повреждения, полученные в результате воздействия таких веществ, не покрываются гарантией.

ИСПОЛЬЗУЙТЕ	НЕ ИСПОЛЬЗУЙТЕ
✓ Мягкую чистую ткань	✗ Абразивные ткани ✗ Бумажные полотенца или газетную бумагу ✗ Стальные губки
✓ Теплый мыльный раствор с мягким моющим средством	✗ Абразивные порошки или жидкости ✗ Спреи для мытья окон ✗ Аммиак ✗ Чистящие средства на кислотной или уксусной основе ✗ Средства для чистки духовок ✗ Огнеопасные жидкости

## ПРИМЕЧАНИЯ:

- В случае случайного контакта вымойте пластиковые части губкой, смоченной в теплой воде с добавлением мягкого моющего средства. Затем насухо вытрите мягкой тканью.
- Тот факт, что какое-либо моющее средство является жидким, не означает, что оно - неабразивное. Многие жидкие моющие средства, предназначенные для чистки кафельной плитки и гладких поверхностей, вызывают повреждение нержавеющей стали.
- Лимонная кислота вызывает необратимое обесцвечивание нержавеющей стали.
- Во избежание повреждения покрытия из нержавеющей стали вашего холодильника:

### Не допускайте, чтобы на поверхностях с таким покрытием оставались следующие вещества:

- ✗ Горчица
- ✗ Соусы на основе цитрусовых
- ✗ Томатный сок
- ✗ Блюда на основе цитрусовых
- ✗ Соус «Маринара»

## Чистка внутренних частей холодильника

1. Выньте вилку сетевого шнура из розетки или отключите электропитание.
2. Тщательно вымойте вручную и затем прополощите и вытрите съемные части и внутренние поверхности. Используйте чистую губку или мягкую ткань, смоченную в теплой воде с добавлением мягкого моющего средства.  
**ПРИМЕЧАНИЕ:** Не используйте абразивные или жесткие чистящие средства, такие как спреи для мойки окон, абразивные порошки, воспламеняемые жидкости, чистящий воск, концентрированные моющие средства, отбеливатели или моющие средства, содержащие нефтепродукты, для чистки пластиковых деталей, внутренних и дверных уплотнений и прокладок.
3. Вставьте вилку сетевого шнура в розетку или включите электропитание.

## Чистка конденсатора

Данный холодильник имеет поверхностные конденсаторы на обеих боковых сторонах. Ощущение тепла на боковых стенках является нормальным явлением.

## Освещение

Как в холодильной, так и в морозильной камерах внутреннее освещение выполняется с помощью лампочек, не нуждающихся в замене. Если при открывании дверцы освещение не загорается, обратитесь к дилеру, у которого вы приобрели холодильник.

## Отпуск и транспортировка

### Отпуск

#### Если, уезжая в отпуск, вы решили оставить холодильник включенным:

1. Используйте в пищу скоропортящиеся продукты и заморозьте остальные.
2. Если ваш холодильник оснащен автоматическим льдогенератором, и он подсоединен к водопроводу, отключите подачу воды на льдогенератор. Если не отключить воду, существует опасность материального ущерба в результате затопления.
3. Если ваш холодильник оснащен автоматическим льдогенератором, выключите льдогенератор.
  - Установите переключатель льдогенератора в положение «Выкл» (O).
4. Опорожните ванночку для кубиков льда.

#### Если, уезжая в отпуск, вы решили выключить холодильник:

**ПРИМЕЧАНИЕ:** Установка холодильника в демонстрационный режим при отъезде в отпуск. См. раздел «Использование регуляторов температуры».

1. Выньте все продукты из холодильника.
2. Если ваш холодильник оснащен автоматическим льдогенератором:
  - Закройте кран подачи воды на льдогенератор по крайней мере за 1 день до выключения холодильника.
  - После раздачи последней партии льда установите переключатель в положение «Выкл» (O) для выключения дисплея, расположенного внутри холодильника в его верхней части, в зависимости от вашей модели.
3. Опорожните ванночку для кубиков льда.
4. Выключите регуляторы температуры. См. раздел «Использование регуляторов температуры».
5. Вымойте холодильник, сполосните и тщательно вытрите.
6. Прикрепите скотчем куски резины или дерева к верхней части обеих дверей с их внутренней стороны, чтобы оставить их приоткрытыми для того, чтобы внутрь мог попадать воздух. Это предотвратит образование плесени и неприятных запахов.

## Транспортировка

При необходимости транспортировки холодильника в ваше новое место жительства выполните следующие подготовительные операции.

1. Если ваш холодильник оснащен автоматическим льдогенератором:
  - Закройте кран подачи воды на льдогенератор по крайней мере за 1 день до выключения холодильника.
  - Отсоедините трубку подачи воды с задней стороны холодильника.
  - После раздачи последней партии льда установите расположенный на льдогенераторе или на панели управления, в зависимости от вашей модели, переключатель в положение «Выкл» (O).
2. Выньте все продукты из холодильника и поместите все замороженные продукты на сухой лед.
3. Опорожните ванночку для кубиков льда.
4. Выньте вилку сетевого шнура из розетки.
5. Вымойте холодильник, сполосните и тщательно вытрите.
6. Выньте все съемные компоненты, тщательно оберните их и оберните их все лентой во избежание смещения или дребезга при транспортировке.
7. В зависимости от модели приподнимите переднюю часть холодильника, чтобы его было легче катить, или приподнимите выравнивающие винты так, чтобы они не задевали о пол. См. разделы «Выравнивание дверец» или «Выравнивание холодильника и дверец».
8. Закройте дверцы и обмотайте их скотчем, а также прикрепите скотчем сетевой шнур к задней панели холодильника.

При въезде в новую квартиру верните все в исходное состояние и затем выполните действия, описанные в разделе «Указания по установке». Кроме того, если ваш холодильник оснащен льдогенератором, помните о необходимости подсоединить его к водопроводу.

# ПОИСК И УСТРАНЕНИЕ НЕИСПРАВНОСТЕЙ

Вначале попробуйте устранить неисправность согласно приведенным здесь указаниям, чтобы обойтись без ненужного обращения в сервисный центр.

## ⚠ ПРЕДОСТЕРЕЖЕНИЕ



**Опасность поражения электрическим током**  
**Вставьте вилку сетевого шнура в заземленную электрическую розетку.**  
**Не снимайте контакт заземления.**  
**Не используйте переходники.**  
**Не используйте удлинители.**  
**Невыполнение этих указаний может привести к смертельной травме, возгоранию или поражению электрическим током.**

Возможные неисправности	Возможные причины	Способ устранения
<b>Работа холодильника</b>		
Холодильник не работает.	Проверьте наличие электропитания.	Вставьте вилку сетевого шнура в заземленную электрическую розетку.
		Не используйте удлинители.
		Убедитесь в наличии напряжения в розетке. Включите в розетку настольную лампу, чтобы проверить, есть ли в ней напряжение.
		Переустановите сработавший автоматический выключатель на распределительном щите. Замените перегоревшие предохранители, если такие имеются. <b>ПРИМЕЧАНИЕ:</b> Если неисправность остается, обратитесь к электрику.
	Проверьте состояние регуляторов температуры.	Убедитесь, что регуляторы температуры включены. См. раздел «Использование регуляторов температуры».
	Холодильник только что установлен.	Подождите 24 часа после установки, чтобы дать холодильнику возможность набрать холод. <b>ПРИМЕЧАНИЕ:</b> Установка регуляторов температуры на значения, соответствующие максимально низкой температуре, не приведет к более быстрому набору холода ни в одной из камер.
	Холодильник находится в демонстрационном режиме (на некоторых моделях).	Если холодильник находится в демонстрационном режиме, охлаждение выключено, а на дисплее панели управления высвечивается сообщение «Demo». Дополнительную информацию см. в разделе «Использование регуляторов температуры».



# ПОИСК И УСТРАНЕНИЕ НЕИСПРАВНОСТЕЙ

Вначале попробуйте устранить неисправность согласно приведенным здесь указаниям, чтобы обойтись без ненужного обращения в сервисный центр.

Возможные неисправности	Возможные причины	Способ устранения
Создается впечатление, что мотор-компрессор работает слишком долго.	Высокоэффективные компрессор и вентиляторы	Холодильники большего размера с более высоким КПД работают на протяжении более продолжительного времени на более низких, энергоэффективных скоростях.
	Слишком высокая температура в помещении или на улице.	В таких условиях более продолжительная работа компрессора является нормальным явлением. Для обеспечения максимальной эффективности работы холодильника устанавливайте его во внутренних помещениях с регулируемой температурой. См. раздел «Требования к помещению».
	В холодильник недавно помещено большое количество еще горячих продуктов.	Помещение горячих продуктов в холодильник приводит к увеличению продолжительности работы компрессора - до тех пор, пока воздух внутри него не остынет до нужной температуры.
	Дверца (дверцы) открываются слишком часто или на слишком долгое время.	Поступление теплого воздуха в холодильник приводит к увеличению продолжительности работы компрессора. Реже открывайте дверцу.
	Дверца холодильной камеры или ящик морозильной камеры открыты.	Убедитесь в том, что холодильник правильно выровнен. См. раздел «Выравнивание холодильника и дверец». Не допускайте, чтобы продукты и упаковки мешали закрываться дверце.
	В холодильной камере задана слишком низкая температура.	Изменяйте уставку температуры в холодильной камере на более высокое значение до тех пор, пока температура в ней не достигнет нужной величины.
	Уплотнение дверцы или ящика загрязнено, изношено или растрескалось.	Прочистите или замените уплотнение. Попадание воздуха через уплотнение дверцы приводят к более продолжительной работе холодильника для обеспечения поддержания заданной температуры.
Внутреннее освещение не работает.	Ваш холодильник оснащен светодиодной лампочкой, которая не нуждается в замене.	Если на холодильник подается электропитание, но при открывании дверцы или ящика освещение не загорается, обратитесь в сервисный центр.
	Дверцы открыты более 10 минут.	Для сброса состояния закройте дверцы и ящик и снова откройте для восстановления освещения.
	Микропереключатель дверцы не детектирует ее открытое положение.	Убедитесь, что в радиусе 7,62 см (3 дюймов) от крышки петли нет магнитов или электронных устройств.
Интерфейс пользователя для управления температурой не включается.	Интерфейс пользователя для управления температурой выключился.	Для включения интерфейса пользователя для управления температурой нажмите на нем любую кнопку.
	Кнопки интерфейса пользователя для управления температурой плохо работают.	Попробуйте выключить и снова включить электропитание холодильника для выполнения сброса. Если неисправность не исчезнет, обратитесь в сервисный центр.
	На интерфейс пользователя для управления температурой не поступает электропитание.	Проверьте электропроводку на петле дверцы.
Невозможно отрегулировать температуру с помощью интерфейса пользователя.	Дверца открыта, и подается аварийный сигнал открытой дверцы.	Закройте дверцу.

# ПОИСК И УСТРАНЕНИЕ НЕИСПРАВНОСТЕЙ

Вначале попробуйте устранить неисправность согласно приведенным здесь указаниям, чтобы обойтись без ненужного обращения в сервисный центр.

Возможные неисправности	Возможные причины	Способ устранения
<b>Необычный шум</b>		
Для прослушивания обычных звуков, возникающих при работе холодильника, зайдите в раздел «Помощь/Часто задаваемые вопросы (FAQ)» на сайте бренда и выберите «Обычные звуки». Ниже приводятся обычно встречающиеся типы звуков, и объясняются причины их появления.		
Шум при работе холодильника.	Компрессор вашего нового холодильника регулирует температуру более эффективно, потребляя при этом меньшее количество энергии и работая с малым уровнем шума.	Вследствие этого снижения общего шума вы можете услышать непривычные звуки.
Судя по звуку, компрессор работает дольше, чем вы ожидали.	Высокоэффективный компрессор и вентиляторы.	Холодильники большего размера с более высоким КПД работают на протяжении более продолжительного времени на более низких, энергоэффективных скоростях.
Пульсирующие звуки/ Жужжание	Работа вентиляторов/ компрессоров регулируется для оптимизации их характеристик при нормальной работы компрессора.	Это - нормальное явление.
Потрескивание	Сжатие/расширение внутренних стенок, особенно во время первоначального охлаждения.	Это - нормальное явление.
Шипение/Капание	Протекание хладагента или масла в компрессор.	Это - нормальное явление.
Вибрация	Возможно, холодильник стоит в неустойчивом положении.	Отрегулируйте положение регулировочных винтов и опустите выравнивающие ножки так, чтобы они уперлись в пол. См. раздел «Выравнивание холодильника и дверец».
Дребезжание/Стук	Задевание трубок подачи воды о корпус холодильника или дребезжание предметов, размещенных на его верху.	Уберите трубки с корпуса холодильника или прикрепите их к корпусу. См. раздел «Подсоединение к водопроводу» или уберите предметы с верха корпуса холодильника.
Шипение	Капание воды на ТЭН во время выполнения цикла размораживания.	Это - нормальное явление.
Звук текущей воды/Журчание	Может быть слышен при таянии льда во время выполнения цикла размораживания и стекания воды в поддон для сбора талой воды.	Это - нормальное явление.

# ПОИСК И УСТРАНЕНИЕ НЕИСПРАВНОСТЕЙ

Вначале попробуйте устранить неисправность согласно приведенным здесь указаниям, чтобы обойтись без ненужного обращения в сервисный центр.

Возможные неисправности	Возможные причины	Способ устранения
<b>Температура и влажность</b>		
Температура является слишком высокой.	Холодильник только что установлен.	Подождите 24 часа после установки, чтобы дать холодильнику возможность набрать холод.
	Установка регуляторов температуры не соответствует условиям окружающей среды.	Установите регуляторы на одну отметку больше в сторону более низкой температуры. Проконтролируйте температуру через 24 часа. См. раздел «Использование регуляторов температуры».
	Дверца (дверцы) открываются слишком часто или не закрываются до конца. Это позволяет теплomu воздуху попадать внутрь холодильника.	Открывайте дверцы как можно реже и держите их плотно закрытыми.
	В холодильник недавно помещено большое количество продуктов.	Подождите несколько часов, чтобы в холодильнике снова установилась нормальная температура.
	Включен демонстрационный режим.	Выключите демонстрационный режим. См. раздел «Использование регуляторов температуры».
	Включен режим «Отпуск».	Выключите режим «Отпуск». См. раздел «Использование регуляторов температуры».
Слишком низкая температура в холодильной камере/ящике для фруктов и овощей.	Перегорожены вентиляционное отверстие (отверстия) холодильника.	Если вентиляционное отверстие, расположенное в центре задней стенки холодильника, перегорожено продуктами, размещенными непосредственно перед ним, температура в холодильной камере будет слишком низкой. Уберите продукты от вентиляционного отверстия.
	Установка регуляторов температуры не соответствует условиям окружающей среды.	Установите регуляторы на одну отметку больше в сторону более высокой температуры. Проконтролируйте температуру через 24 часа. См. раздел «Использование регуляторов температуры».
	Неправильно установлена ванночка для кубиков льда.	См. раздел «Льдогенератор и ванночка для кубиков льда».
Слишком низкая температура в выдвижном ящике с контролируемой температурой.	Уставка температуры не соответствует типу продуктов, хранящихся в ящике.	Отрегулируйте уставку температуры. См. разделы «Использование регуляторов температуры» и «Эксплуатация холодильной камеры».
Внутри холодильника скапливается влага. <b>ПРИМЕЧАНИЕ:</b> Умеренное образование влаги является нормальным явлением.	Помещение является влажным.	Влажность воздуха в помещении способствует конденсации влаги.
	Дверца (дверцы) открываются слишком часто или не закрываются до конца. Это позволяет влажному воздуху попадать внутрь холодильника.	Открывайте дверцы как можно реже и держите их плотно закрытыми.
	Упаковки с продуктами не дают дверце (дверцам) закрыться.	Отодвиньте упаковки с продуктами от дверцы.
	Дверце мешает закрыться полка или ящичек.	Задвиньте полку или ящичек в правильное положение.
	Хранение жидкостей в открытых емкостях.	Это увеличивает влажность внутри холодильника. Держите все емкости плотно закрытыми.
Образование большого количества льда/инея в морозильной камере.	Дверца открывается слишком часто или оставлена открытой.	Открывайте дверцу как можно реже и полностью задвигайте выдвижной ящик после использования.
	Неудовлетворительное состояние дверного уплотнения.	Убедитесь, что дверные уплотнения плотно прилегают к корпусу холодильника, обеспечивая надлежащую герметичность.
	Неверно установлены регуляторы температуры.	Рекомендуемые значения температуры см. в разделе «Использование регуляторов температуры».

# ПОИСК И УСТРАНЕНИЕ НЕИСПРАВНОСТЕЙ

Вначале попробуйте устранить неисправность согласно приведенным здесь указаниям, чтобы обойтись без ненужного обращения в сервисный центр.



Для просмотра анимационного фильма, показывающего как выровнять дверцы, зайдите в раздел «Помощь/Часто задаваемые вопросы (FAQ)» на сайте бренда и выберите «Закрывание и выравнивание дверец».

Возможные неисправности	Возможные причины	Способ устранения
<b>Дверцы</b>		
Дверцы не закрываются до конца.	Упаковки с продуктами не дают дверце закрыться.	Отодвиньте упаковки с продуктами от дверцы.
	Дверце мешает закрыться полка или ящичек.	Задвиньте полку или ящичек в правильное положение.
	Холодильник только что установлен	Удалите все упаковочные материалы.
Дверцы плохо открываются.	Уплотнения дверец грязные или липкие.	Промойте уплотнения и контактные поверхности теплой водой с добавлением мягкого мыла. Затем сполосните и насухо вытрите мягкой тканью.
Дверцы не находятся на одном уровне.	Необходимо выровнять дверцы или сам холодильник.	При необходимости выравнивания дверцы обратитесь в сервисный центр.
Холодильник стоит неустойчиво или выкатывается вперед при открывании и закрывании дверец.	Опорные ножки холодильника не упираются в пол.	Поверните обе опорные ножки (одну на каждой стороне) против часовой стрелки на один и тот же угол так, чтобы они плотно уперлись в пол. См. раздел «Выравнивание холодильника и дверец».

# Таблица

Изделие	ХОЛОДИЛЬНИК-МОРОЗИЛЬНИК	
Торговая марка		
Модель	WQ9 B1L	
Производитель	ВИРЛПУЛ ЕМЕА С.П.А. (WHIRLPOOL EMEA S.P.A.)	
Страна происхождения	КИТАЙ	
Импортер	ООО "ВИРЛПУЛ РУС"	
Адрес	127018, РОССИЯ, МОСКВА, УЛ. ДВИНЦЕВ, ДОМ 12, КОРПУС 1	
Полезный объем для хранения замороженных продуктов (ХК/МК)	384 л	207 л
Номинальное значение напряжения или диапазон напряжений	220-240 В	
Символ типа электрического тока или номинальная частота переменного тока	50-60 Гц	
Номинальный ток	1.5 А	
Мощность размораживающего нагревателя	255 Вт	
Максимальная мощность лампы	5.3 Вт	
Класс прибора	Класс I	
Класс энергопотребления	A+	
Система охлаждения	No-Frost	
Климатический класс	SN/N/ST/T	
Тип хладагента	R600a	
Уровень шума	37.5 дБ	
Число компрессоров	1	
Если вам нужна дополнительная информация о сертификатах соответствия для данного прибора или их копии, направьте электронное письмо по адресу: cert_rus_external@whirlpool.com		
Дату выпуска прибора можно определить по серийному номеру (S / N XXXXXXXX * XXXXXXXXXX) следующим образом:	7-ая цифра S / N соответствует последней цифре года, 8-ая и 9-ая цифры S / N — месяцу, 10-ая и 11-ая цифры S / N — порядковому числу месяца.	

**ПРИМЕЧАНИЕ**

ИЗГОТОВИТЕЛЬ ПОСТОЯННО ВЕДЕТ РАБОТЫ ПО УЛУЧШЕНИЮ ИЗ ДЕЛИЯ И ОСТАВЛЯЕТ ЗА СОБОЙ ПРАВО ВНОСИТЬ ИЗМЕНЕНИЯ БЕ З ПРЕДВАРИТЕЛЬНОГО УВЕДОМЛЕНИЯ.

СРОК СЛУЖБЫ ТОВАРА 10 ЛЕТ.

ДАТА ПРОИЗВОДСТВА УКАЗАНА НА ЭТИКЕТКАХ В ФОРМАТЕ:

НЕДЕЛЯ ГОДА (2 ЦИФРЫ) /

ГОД (2 ИЛИ 4 ЦИФРЫ)

ИНФОРМАЦИЯ ДЛЯ РФ: НАСТОЯЩИЙ ТОВАР В ЗАВИСИМОСТИ ОТ КОНКРЕТНОЙ МОДЕЛИ ИМЕЕТ КЛАСС ЭНЕРГЕТИЧЕСКОЙ ЭФФЕКТИВНОСТИ, УКАЗАННЫЙ В СООТВЕТСТВИИ С ТРЕБОВАНИЯМИ ФЕДЕРАЛЬНОГО ЗАКОНА № 261-ФЗ ОТ 23.11.09 И ПОСТАНОВЛЕНИЕМ ПРАВИТЕЛЬСТВА РФ № 1222 ОТ 31.12.09Г. (С ПОПРАВКАМИ). КОНКРЕТНУЮ ИНФОРМАЦИЮ О К ЛАССЕ ЭНЕРГЕТИЧЕСКОЙ ЭФФЕКТИВНОСТИ ВАШЕЙ МОДЕЛИ МОЖНО НАЙТИ РЯДОМ С УКАЗАНИЕМ МОДЕЛИ ВО ВКЛАДЫШЕ К ДА ИНОЙ ИНСТРУКЦИИ ПО ЭКСПЛУАТАЦИИ, СОДЕРЖАЩЕМ ИНФОРМА ЦИЮ О КОМПЛЕКТАЦИИ.

WHIRLPOOL EMEA S.P.A.

VIA CARLO PISACANE N.1,

ВИРЛПУЛ ЕМЕА С.П.А.

ВИА КАРЛО ПИЗАКАНЕ 1

20016 ПЕРО (МИЛАН) ИТАЛИЯ

ДЛЯ РОССИИ И СТРАН ТАМОЖЕННОГО СОЮЗА:

**ИМПОРТЕР** только для российского рынка

**УПОЛНОМОЧЕННЫЙ ПРЕДСТАВИТЕЛЬ**

для других стран:

ООО «ВИРЛПУЛ РУС»


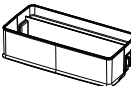
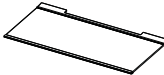
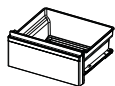
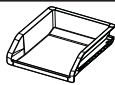
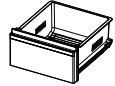

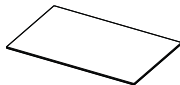

С вопросами (в России) обращаться по адресу

Россия, 127018, Москва,

ул. Двинцев, дом 12, корп. 1

Вы можете найти контактную информацию в гарантийном документе.

**Холодильник морозильник**

Составные части / Модель	WQ9 B1L
	5 ШТ
	1 ШТ
	3 ШТ
	2 ШТ
	2 ШТ
	2 ШТ
	2 ШТ
	2 ШТ
	1 ШТ
Класс энергетической эффективности для РФ	A+

СДЕЛАНО В КИТАЕ

Изделие	Холодильник морозильник
Номинальное значение напряжения электропитания или диапазон напряжения	220-240 V
Условное обозначение рода электрического тока или номинальная частота переменного тока	50 Hz
Класс защиты от поражения электрическим током	Класс защиты I

**ТРАНСПОРТИРОВКА И ХРАНЕНИЕ**

Изделия должны перевозиться в оригинальной упаковке в горизонтальном положении.

Во время транспортировки и хранения защищать изделия от атмосферного воздействия и механических повреждений. Изделия должны храниться в упакованном виде в отапливаемых помещениях при температуре от плюс 5 °С до плюс 40 °С.

## Spis treści

<b>BEZPIECZEŃSTWO CHŁODZIARKI</b> .....	<b>104</b>
Prawidłowe usuwanie starej chłodziarki .....	107
<b>ELEMENTY I FUNKCJE</b> .....	<b>108</b>
<b>INSTRUKCJA INSTALACJI</b> .....	<b>109</b>
Pierwsze kroki .....	109
Rozpakowywanie chłodziarki.....	109
Wymagania dotyczące lokalizacji .....	110
Wymagania dotyczące zasilania elektrycznego .....	110
Zdejmowanie i zakładanie drzwi chłodziarki .....	112
Zdejmowanie i zakładanie drzwi zamrażarki/elastycznego mrożenia .....	114
Poziomowanie chłodziarki .....	115
Używanie elementów sterujących .....	116
Oświetlenie chłodziarki .....	117
<b>UŻYTKOWANIE CHŁODZIARKI</b> .....	<b>118</b>
Otwieranie i zamykanie drzwi .....	118
Przechowywanie żywności .....	118
<b>PÓŁKI, POJEMNIKI I SZUFLADY</b> .....	<b>119</b>
Komory zamrażarki .....	120
Sygnaly akustyczne .....	120
Akcesoria .....	120
Pomoc techniczna i serwis .....	120
<b>PIELĘGNACJA CHŁODZIARKI</b> .....	<b>121</b>
Czyszczenie .....	121
Oświetlenie.....	122
Urlopy i przeprowadzki .....	122
<b>ROZWIĄZYWANIE PROBLEMÓW</b> .....	<b>123</b>

# BEZPIECZEŃSTWO CHŁODZIARKI

## Bezpieczeństwo wszystkich osób jest bardzo ważne.

W niniejszym podręczniku oraz na urządzeniu podano wiele ważnych informacji dotyczących bezpieczeństwa. Wszystkie informacje dotyczące bezpieczeństwa należy przeczytać i zawsze ich przestrzegać.



Jest to symbol ostrzeżenia dotyczącego bezpieczeństwa.

Ten symbol ostrzega o ewentualnym niebezpieczeństwie utraty życia lub zdrowia osób.

Przed wszystkimi informacjami dotyczącymi bezpieczeństwa umieszczono symbol ostrzegawczy oraz słowo „NIEBEZPIECZEŃSTWO” lub „OSTRZEŻENIE.”

Znaczenie tych słów:

 **NIEBEZPIECZEŃSTWO**

Nieprzestrzeganie ściśle instrukcji może doprowadzić do obrażeń ciała lub śmierci.

 **OSTRZEŻENIE**

Nieprzestrzeganie instrukcji może doprowadzić do obrażeń ciała lub śmierci.

Wszystkie informacje dotyczące bezpieczeństwa określają ewentualne zagrożenie i podają sposób zmniejszenia ryzyka wystąpienia obrażeń ciała, a także opisują skutki nieprzestrzegania instrukcji.



## INSTRUKCJĘ DOTYCZĄCĄ BEZPIECZEŃSTWA

Przed przystąpieniem do użytkowania urządzenia należy przeczytać podane tu instrukcje dotyczące bezpieczeństwa. Należy je przechowywać w łatwo dostępnym miejscu celem skorzystania w przyszłości. W instrukcjach tych, a także na urządzeniu, podano ważne ostrzeżenia dotyczące bezpieczeństwa, których należy zawsze przestrzegać. Producent nie ponosi żadnej odpowiedzialności w związku z nieprzebraniem podanych instrukcji dotyczących bezpieczeństwa, z nieprawidłowym użytkowaniem urządzenia oraz z niewłaściwymi ustawieniami elementów sterujących.

⚠ Bardzo małe dzieci (w wieku od 0 do 3 lat) nie powinny zbliżać się do urządzenia. Małe dzieci (w wieku od 3 do 8 lat) nie powinny zbliżać się do urządzenia bez stałej opieki dorosłych. Dzieci w wieku powyżej 8 oraz osoby o ograniczonych zdolnościach fizycznych, sensorycznych czy umysłowych, a także osoby nie posiadające wiedzy lub doświadczenia mogą używać omawianego urządzenia tylko, jeżeli będą nadzorowane lub zostaną poinstruowane odnośnie bezpiecznego korzystania z tego urządzenia oraz rozumieją zagrożenia z nim związane. Zabrania się dzieciom zabawy z urządzeniem. Czyszczenie i czynności konserwacyjne nie mogą być wykonywane przez dzieci bez nadzoru.

### DOZWOLONE UŻYCIĘ

⚠ PRZESTROGA: Urządzenie nie jest przeznaczone do pracy z zewnętrznymi urządzeniami wyłączającymi, takimi jak zegary lub oddzielne systemy zdalnego sterowania.

⚠ Omawiane urządzenie jest przeznaczone do użytku domowego oraz w podobnych zastosowaniach, takich jak: pomieszczenia socjalne w sklepach, biurach i innych miejscach pracy; budynki gospodarskie; przez klientów w hotelach, motelach, miejscach oferujących noclegi i wyżywienie i innych miejscach zamieszkania.

⚠ Niniejsze urządzenie nie jest przeznaczone do użytku komercyjnego. Zabrania się używania urządzenia na wolnym powietrzu.

⚠ Urządzenie zostało zaprojektowane do użytkowania w miejscach, gdzie temperatura otoczenia zawiera się w podanych niżej przedziałach, zależnych od klasy klimatycznej podanej na tabliczce znamionowej. Urządzenie może nie działać prawidłowo, jeżeli będzie zbyt długo narażone na temperatury poza podanymi przedziałami.

Temp. otoczenia klasy klimatycznej (°C)  
SN: Od 10 do 32 °C; N: Od 16 do 32 °C  
ST: Od 16 do 38 °C; T: Od 16 do 43 °C

## WAŻNE ZAGADNIENIA DO PRZECZYTANIA I PRZESTRZEGANIA

⚠ Omawiane urządzenie nie zawiera CFC. Obwód chłodniczy zawiera R600a (HC). Urządzenia zawierające izobutan (R600a): izobutan jest gazem naturalnym, nieszkodliwym dla środowiska, ale jest palny. Z tego względu należy upewnić się, czy przewody układu chłodniczego nie zostały uszkodzone, zwłaszcza podczas jego opróżniania.

⚠ OSTRZEŻENIE: Nie dopuszczać do uszkodzenia przewodów obwodu chłodniczego.

⚠ OSTRZEŻENIE: Zabrania się zasłaniania otworów wentylacyjnych w obudowie urządzenia oraz w konstrukcjach zabudowy.

⚠ OSTRZEŻENIE: Zabrania się używania środków mechanicznych, elektrycznych oraz chemicznych w celu przyspieszenia procesu rozmrażania, innych niż zalecane przez producenta.

⚠ OSTRZEŻENIE: Zabrania się używania i umieszczania urządzeń elektrycznych wewnątrz komór omawianego urządzenia, za wyjątkiem typów konkretnie dopuszczonych przez producenta.

⚠ OSTRZEŻENIE: Kostkarki do lodu i/lub dozowniki wody nie podłączone bezpośrednio do wodociągu muszą być napełniane wyłącznie wodą pitną.

⚠ OSTRZEŻENIE: Automatyczne kostkarki do lodu i/lub dozowniki wody muszą być podłączone do wodociągu dostarczającego wyłącznie wody pitnej o ciśnieniu w sieci w przedziale od 0,17 do 0,81 MPa (od 1,7 do 8,1 bara).

⚠ Zabrania się przechowywania wewnątrz omawianego urządzenia substancji wybuchowych, takich jak pojemniki aerozolowe z palnymi gazami nośnymi.

⚠ Zabrania się połykania zawartości pakietów lodowych dostarczonych z niektórymi modelami (mimo, że są one nietoksyczne). Zabrania się spożywania kostek lodu oraz lizaków lodowych natychmiast po wyjęciu z zamrażarki, gdyż może to spowodować odmrożenia.

⚠ W przypadku chłodziarek wyposażonych fabrycznie w filtr wewnątrz dostępnej pokrywy wentylatora, filtr musi zawsze znajdować się na miejscu podczas pracy chłodziarki.

⚠ Zabrania się przechowywania szklanych pojemników z płynami wewnątrz komory zamrażarki, ponieważ mogą one pęknąć. Nie zasłaniać wentylatora (jeżeli występuje) produktami spożywczymi. Po włożeniu żywności należy sprawdzić, czy drzwi komór zamykają się całkowicie, a zwłaszcza drzwi zamrażarki.

⚠ Uszkodzone uszczelki należy jak najszybciej wymienić.

⚠ Komory chłodziarki należy używać tylko do przechowywania świeżej żywności, a komory chłodziarki tylko do przechowywania żywności mrożonej, do zamrażania świeżej żywności oraz do robienia kostek lodu.

⚠ Należy unikać przechowywania niezapakowanej żywności, która może stykać się bezpośrednio z powierzchniami wewnętrznymi komór chłodziarki lub zamrażarki. Urządzenia mogą posiadać również specjalne komory (na świeżą żywność, utrzymujące temp. zera stopni itp.). Można je wyjąć bez szkody dla wydajności urządzenia, chyba że określono inaczej w specjalnej broszurze produktu.

## **INSTALACJA**

⚠ Do przenoszenia i zainstalowania urządzenia potrzebne są co najmniej dwie osoby - ryzyko urazów. Podczas rozpakowywania i instalacji należy używać rękawic ochronnych - ryzyko skaleczenia.

⚠ Instalacja, podłączenie do wodociągu (jeżeli występuje), podłączenia elektryczne, a także naprawy muszą być wykonywane przez wykwalifikowanego technika. Zabrania się naprawiania oraz wymieniać jakichkolwiek elementów urządzenia, chyba takie instrukcje zawiera podręcznik użytkownika. Nie zezwalać dzieciom na zbliżanie się do miejsca instalacji.

Po rozpakowaniu urządzenia należy upewnić się, czy nie uległo ono uszkodzeniu w czasie transportu. W przypadku problemów, należy skontaktować się z dostawcą lub najbliższym punktem obsługi posprzedażnej. Po zakończeniu instalacji, materiały odpadowe z opakowania (folie, elementy styropianowe itp.) muszą być przechowywane w miejscu niedostępnym dla dzieci - ryzyko uduszenia. Przed przystąpieniem do jakichkolwiek czynności instalacyjnych konieczne jest odłączenie urządzenia od zasilania - ryzyko porażenia prądem elektrycznym. Podczas instalacji należy upewnić się, czy urządzenie nie uszkodziło kabla zasilającego - ryzyko pożaru lub porażenia prądem elektrycznym. Urządzenie można włączyć dopiero po zakończeniu instalacji.

⚠ Podczas przemieszczania urządzenia należy uważać, aby nie uszkodzić podłóg (np. parkietu). Urządzenie należy instalować na podłodze lub podstawie o wytrzymałości dostosowanej do jego wagi, w miejscu odpowiednim dla jego wymiarów i sposobu użytkowania. Należy upewnić się, że urządzenie nie zostało ustawione w pobliżu źródeł ciepła oraz że cztery nóżki stabilnie spoczywają na podłodze, regulując je zależnie od potrzeb, a także sprawdzić przy użyciu poziomnicy, czy urządzenie jest wypoziomowane. Aby zapewnić pełną sprawność obwodu chłodniczego, należy odczekać co najmniej dwie godziny przed włączeniem urządzenia.

⚠ Aby zapewnić właściwą wentylację, należy pozostawić wolną przestrzeń po obu stronach oraz nad urządzeniem. Odległość pomiędzy tylną częścią urządzenia, a znajdującą się za nim ścianą powinna wynosić 50 mm, aby nie dopuścić do nadmiernego nagrzewania powierzchni. Zmniejszenie tej przestrzeni powoduje wzrost zużycia energii przez wyrób.

⚠ **OSTRZEŻENIE:** Aby uniknąć zagrożeń związanych z niestabilnością, ustawienie oraz unieruchomienie urządzenia musi zostać przeprowadzone zgodnie z instrukcjami producenta. Zabrania się ustawiania chłodziarki w sposób umożliwiający stykanie się metalowych węży kuchenki gazowej, metalowych rur gazowych lub wodnych, a także przewodów elektrycznych ze ścianą tylną chłodziarki (spirala skraplacza).

⚠ Jeżeli zachodzi potrzeba wymiany drzwi, należy skontaktować się z ośrodkiem wsparcia technicznego.

## **OSTRZEŻENIA DOTYCZĄCE PRĄDU ELEKTRYCZNEGO**

⚠ Musi istnieć możliwość odłączenia urządzenia od zasilania elektrycznego poprzez wyjęcie jego wtyczki z gniazda, jeśli wtyczka jest dostępna, bądź przy użyciu wyłącznika dwubiegunowego zainstalowanego w obwodzie przed gniazdem, zgodnie z przepisami dotyczącymi prowadzenia przewodów. Ponadto, urządzenie musi być uziemione zgodnie z krajowymi normami dotyczącymi bezpieczeństwa elektrycznego.

⚠ Zabrania się używania przedłużaczy, rozgałęźników oraz adapterów. Podzespoły elektryczne nie mogą być dostępne dla użytkownika po zainstalowaniu. Nie należy obsługiwać urządzenia boso lub gdy ciało jest mokre. Zabrania się użytkowania urządzenia jeśli kabel zasilający lub wtyczka są uszkodzone, jeśli nie działa ono prawidłowo lub, gdy zostało uszkodzone, bądź upadło.

⚠ Jeśli kabel zasilający jest uszkodzony, konieczna jest jego wymiana na identyczny przez producenta, jego autoryzowany serwis lub inną wykwalifikowaną osobę, dla uniknięcia niebezpieczeństwa - ryzyko porażenia prądem elektrycznym.

⚠ **OSTRZEŻENIE:** Podczas ustawiania urządzenia na miejscu należy upewnić się, że kabel zasilający nie został przygnieciony ani uszkodzony.

⚠ **OSTRZEŻENIE:** Zabrania się umieszczania rozgałęźników przenośnych oraz zasilaczy przenośnych z tyłu urządzenia.

## **CZYSZCZENIE I KONSERWACJA**

⚠ **OSTRZEŻENIE:** Przed przystąpieniem do czynności konserwacyjnych należy upewnić się, że urządzenie jest wyłączone i odłączone od zasilania. Zabrania się używania parowych urządzeń czyszczących - ryzyko porażenia prądem elektrycznym.

⚠ Zabrania się używania ściernych i agresywnych preparatów czyszczących, jak np. aerozole do mycia okien, czyścików do szorowania, palnych płynów, wosków do czyszczenia, stężonych detergentów, wybielaczy oraz preparatów czyszczących zawierających produkty ropopochodne do czyszczenia elementów plastikowych, wnętrza oraz okładzin drzwi i uszczelek. Nie używać ręczników papierowych, zmywaków do szorowania i innych chropowatych narzędzi do czyszczenia.


## USUWANIE MATERIAŁÓW Z OPAKOWAŃ

Materiały opakowania nadają się w 100% do recyklingu i zostały oznaczone symbolem recyklingu ♻️.

Z tego względu, różne elementy opakowania muszą być usuwane w sposób odpowiedzialny, z zapewnieniem pełnej zgodności z lokalnie obowiązującymi przepisami usuwania odpadów.

## USUWANIE URZĄDZEŃ GOSPODARSTWA DOMOWEGO

Urządzenie zostało wyprodukowane z użyciem materiałów nadających się do recyklingu i odzysku. Należy je usuwać zgodnie z lokalnymi przepisami dotyczącymi usuwania odpadów. Aby uzyskać więcej informacji na temat utylizacji, odzyskiwania oraz recyklingu elektrycznych urządzeń gospodarstwa domowego, należy skontaktować się z miejscowym urzędem, przedsiębiorstwem zbiórki odpadów z gospodarstw domowych lub sklepem, w którym zakupiono urządzenie. Omawiane urządzenie posiada oznaczenia zgodnie z Dyrektywą Europejską 2012/19/UE w sprawie zużytego sprzętu elektrycznego i elektronicznego (WEEE). Zapewnienie prawidłowego usunięcia omawianego produktu pomoże zapobiec niekorzystnemu wpływowi na środowisko naturalne oraz zdrowie człowieka.

Symbol  umieszczony na wyrobie lub towarzyszącej mu dokumentacji oznacza, że wyrobu nie należy traktować jak odpady komunalne, lecz musi zostać oddany do odpowiedniego punktu zbiórki urządzeń elektrycznych i elektronicznych w celu recyklingu.

## PORADY DOTYCZĄCE OSZCZĘDZANIA ENERGII

Urządzenie należy instalować w suchym, dobrze wentylowanym pomieszczeniu, z dala od jakichkolwiek źródeł ciepła (np. grzejników, kuchenek itp.), w miejscu nie narażonym na bezpośrednie promieniowanie słoneczne. Jeżeli to konieczne, należy użyć płyty izolującej.

Aby zapewnić odpowiednią wentylację, należy przestrzegać instrukcji instalacji. Niewystarczająca wentylacja tylnej części wyrobu zwiększa zużycie energii i obniża sprawność chłodzenia.

Częste otwieranie drzwi może powodować wzrost zużycia energii. Na temperaturę we wnętrzu urządzenia oraz zużycie energii może również wpływać temperatura otoczenia i lokalizacja urządzenia. Nastawiona temperatura powinna uwzględniać te czynniki.

Należy do minimum zredukować otwieranie drzwi.

Podczas rozmrażania żywności, należy ją umieścić w chłodziarce. Niska temperatura zamrożonych produktów schładza żywność w chłodziarce. Przed umieszczeniem ciepłych potraw i napojów w urządzeniu należy zaczekać na ich ostygnięcie.

Ustawienie półek w chłodziarce nie wpływa w żaden sposób na sprawność energetyczną. Żywność należy umieszczać na półkach w sposób zapewniający prawidłową cyrkulację powietrza (produkty nie powinny się ze sobą stykać i należy zachować odstęp pomiędzy produktami, a ścianą tylną).

Ilość przechowywanej mrożonej żywności można zwiększyć dzięki wyjęciu koszy oraz półki przeciwszronowej, jeżeli występuje.

Nie należy przejmować się odgłosami wydawanymi przez sprężarkę, które opisano jako odgłosy normalne w skróconej instrukcji wyrobu.



## Prawidłowe usuwanie starej chłodziarki

### OSTRZEŻENIE

#### Zagrożenie uduszeniem

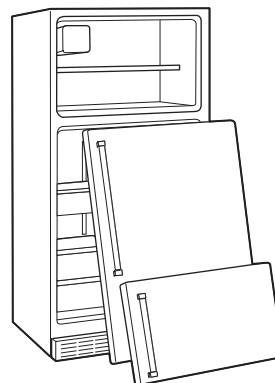
Ze starej chłodziarki należy zdjąć drzwi.

Niezastosowanie się do tego może doprowadzić do śmierci lub uszkodzeń mózgu.

**WAŻNE:** Przypadki uwięzienia i uduszenia dzieci nadal się zdarzają. Chłodziarki wyrzucone na śmietnik i pozostawione bez nadzoru „tylko na kilka dni” nadal są niebezpieczne. W przypadku pozbywania się starej chłodziarki, należy stosować się do podanych instrukcji, aby zapobiec wypadkom.

**Przed wyrzuceniem starej chłodziarki na śmietnik, należy:**

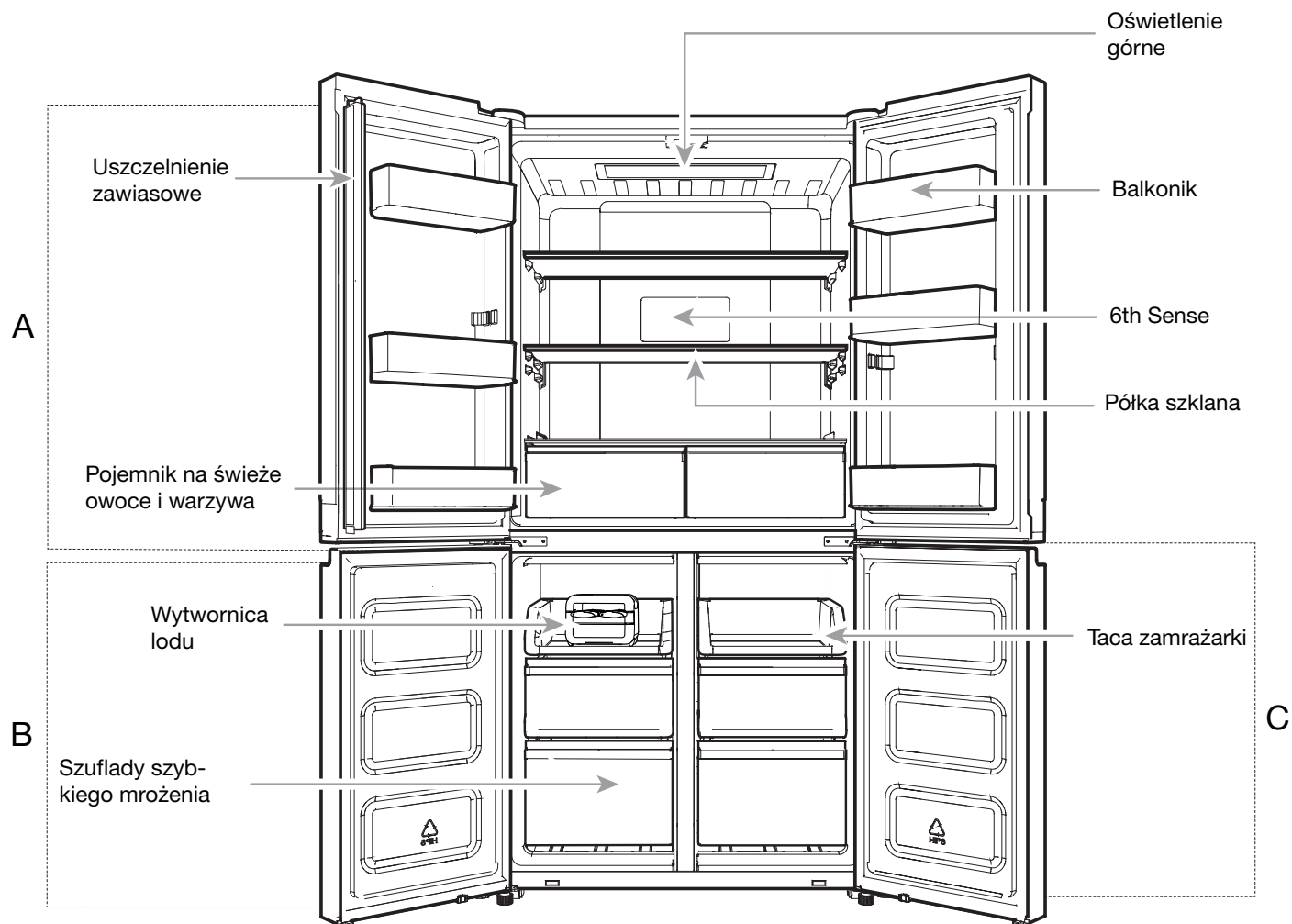
- Zdjąć drzwi.
- Pozostawić półki na miejscu, aby utrudnić dzieciom wejście do środka.



#### Ważne informacje dotyczące usuwania czynników chłodniczych:

Chłodzarkę należy usuwać zgodnie z obowiązującymi przepisami lokalnymi i krajowymi. Czynniki chłodnicze muszą zostać usunięte przez uprawnionego technika chłodnictwa, zgodnie z obowiązującymi procedurami.

# ELEMENTY I FUNKCJE



- A . Chłodziarka
- B . Zamrażarka
- C . Elastyczne mrożenie (tylko w WQ9 B1L, 6WM591NIHAS oraz WQ70900SXX)

# INSTRUKCJA INSTALACJI

## Pierwsze kroki

### LISTA KONTROLNA INSTALACJI

#### ✓ Zasilanie elektryczne

## ⚠ OSTRZEŻENIE



### Zagrożenie porażeniem prądem elektrycznym

Wtyczkę należy podłączać do gniazda z uziemieniem.

Zabrania się usuwania usuwać bolca uziemiającego.

Zabrania się używania adapterów.

Zabrania się używania kabli przedłużających.

Nie przestrzeganie tych instrukcji może spowodować śmierć, pożar lub porażenie prądem elektrycznym.

- Podłączyć wtyczkę chłodziarki do gniazda z uziemieniem.

#### ✓ Drzwi

- Jeżeli w czasie instalacji zachodzi potrzeba zdjęcia drzwi, należy zapoznać się z rozdziałami pt. „Zdejmowanie i ponowne zakładanie drzwi chłodziarki” oraz „Zdejmowanie i ponowne zakładanie frontów drzwi zamrażarki”.
- Drzwi są całkowicie uszczelnione.
- Chłodziarka jest wypoziomowana. Nóżki poziomujące należy wyregulować tak, aby przylegały do podłogi.
- Górne krawędzie drzwi są wyrównane. (Użyć przyrządu do wyrównywania drzwi, jeśli to konieczne).

#### ✓ Kontrole końcowe

- Usunąć wszelkie materiały użyte do pakowania.
- Ustawić zalecaną temperaturę.
- Zachować instrukcje i inną literaturę na przyszłość.
- Aby uzyskać dokładniejszą pomoc techniczną, należy zarejestrować wyrób na stronie [www.whirlpool.eu/register](http://www.whirlpool.eu/register).

## Rozpakowywanie chłodziarki

## ⚠ OSTRZEŻENIE

Niebezpieczeństwo związane z dużym ciężarem

Przemieszczanie i instalowanie chłodziarki powinny wykonywać co najmniej dwie osoby.

Nie przestrzeganie tego może spowodować urazy pleców i innych części ciała.

### Dostawa chłodziarki

Otwór drzwiowy musi mieć co najmniej 838 mm (33 cale) szerokości. Jeżeli otwór drzwiowy ma szerokość 914 mm (36 cali) lub mniej, konieczne jest zdemontowanie drzwi, szuflady i zawiasów.

Chłodziarkę należy zawsze przewozić przez drzwi ustawioną na wózku bokiem.

### Podczas przemieszczania chłodziarki:

Chłodziarka jest ciężka. Podczas przemieszczania chłodziarki w celu jej czyszczenia lub serwisowania, podłogę należy zabezpieczyć przed uszkodzeniem przy użyciu tektury lub dykty. Podczas przemieszczania chłodziarki, zawsze należy wyciągać ją na wprost. Podczas przemieszczania chłodziarki nie należy jej skręcać, ani przestawiać krokowo, ponieważ może to spowodować uszkodzenia podłogi.

### Zdjęć opakowanie

- Przed włączeniem chłodziarki należy usunąć pozostałości kleju i taśm z powierzchni urządzenia. Nanieść palcami niewielką ilość detergentu do mycia naczyń na klej. Przetrzeć ciepłą wodą i osuszyć.
- Do usuwania taśm i kleju zabrania się używania ostrych przyborów, alkoholu technicznego, cieczy palnych ani preparatów do usuwania klejów. Produkty te mogą uszkodzić powierzchnie chłodziarki.
- Usunąć lub przekazać do recyklingu wszelkie materiały z opakowania.

### Oczyścić przed rozpoczęciem użytkowania

Po usunięciu wszystkich materiałów użytych do pakowania, wewnątrz chłodziarki należy oczyścić przed jej użyciem. Należy zapoznać się z instrukcjami czyszczenia w rozdziale pt. „Pielęgnacja chłodziarki”.

### Ważne informacje dotyczące szklanych półek i pokryw:

Nie czyścić zimnych szklanych półek ani pokryw przy użyciu ciepłej wody. Narażenie szklanych półek i pokryw na nagłą zmiany temperatury lub uderzenia może spowodować ich pęknięcie.

Szklano hartowane rozpryskuje się na wiele małych odłamków. Jest to zjawisko normalne. Szklane półki i pokrywy są ciężkie. Należy je wyjmować oburącz, aby uniknąć upuszczenia.

## Wymagania dotyczące lokalizacji

### ⚠ OSTRZEŻENIE



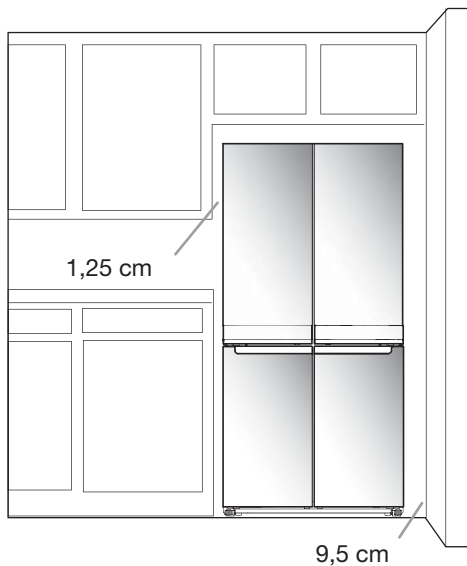
#### Zagrożenie wybuchem

Materiały i opary łatwopalne, takie jak benzyna, należy trzymać z daleka od chłodziarki.

Niezastosowanie się do tego może doprowadzić do śmierci, wybuchu lub pożaru.

Aby zapewnić prawidłową wentylację chłodziarki, należy pozostawić po 1,25 cm przestrzeni z każdej strony i u góry urządzenia. Pozostawić 5 cm przestrzeni z tyłu chłodziarki. Jeżeli chłodziarka jest wyposażona w kostkarkę do lodu, z tyłu należy pozostawić dodatkowe miejsce na podłączenie do wodociągu. Podczas instalowania chłodziarki przy litej ścianie, należy pozostawić co najmniej 9,5 cm wolnej przestrzeni pomiędzy chłodziarką i ścianą, aby umożliwić otwarcie drzwi.

**UWAGA:** Omawiana chłodziarka przeznaczona jest do użytkowania w miejscu, gdzie temperatura mieści się w zakresie od minimum 10°C do maksimum 43°C. Zalecana temperatura w pomieszczeniu, zapewniająca optymalne działanie chłodziarki, obniżone zużycie energii elektrycznej i najlepsze chłodzenie mieści się w przedziale od 15°C do 32°C. Zaleca się, aby nie instalować chłodziarki w pobliżu źródeł ciepła, takich jak piekarnik lub grzejnik.



## Wymagania dotyczące zasilania elektrycznego

### ⚠ OSTRZEŻENIE



#### Zagrożenie porażeniem prądem elektrycznym

Wtyczkę należy podłączać do gniazda z uziemieniem.

Zabrania się usuwania usuwać bolca uziemiającego.

Zabrania się używania adapterów.

Zabrania się używania kabli przedłużających.

Nie przestrzeganie tych instrukcji może spowodować śmierć, pożar lub porażenie prądem elektrycznym.

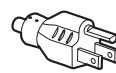
**WAŻNE:** Instalacja i podłączenia elektryczne muszą zostać wykonane przez wykwalifikowanego technika, według instrukcji producenta i zgodnie z lokalnymi przepisami dotyczącymi bezpieczeństwa.

- Chłodziarka została zaprojektowana do pracy w oddzielnym obwodzie 220-240 V, 10 A, 50/60 Hz.
- Należy upewnić się, czy napięcie podane na tabliczce znamionowej odpowiada napięciu w domowej sieci elektrycznej.
- Musi istnieć możliwość odłączenia urządzenia od zasilania elektrycznego poprzez wyjęcie jego wtyczki z gniazda lub przy użyciu wyłącznika dwubiegunowego zainstalowanego w obwodzie przed gniazdem.
- Jeśli kabel zasilający jest uszkodzony, konieczna jest jego wymiana przez producenta, jego autoryzowany serwis lub inną wykwalifikowaną osobę, dla uniknięcia niebezpieczeństwa.

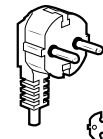
Przed ustawieniem chłodziarki w docelowym miejscu należy upewnić się, czy dostępne jest odpowiednie podłączenie elektryczne:

#### Zalecana metoda uziemienia

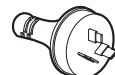
Konieczne jest zasilanie tylko prądem przemiennym 220-240 V 50 Hz, 220 V 60 Hz lub 230/240 V 50 Hz, z uziemieniem i zabezpieczeniem topikowym 10 A.



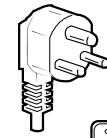
Typ B



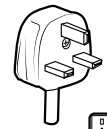
Typ E i F



Typ I



Typ M



Typ G

#### Australia i Nowa Zelandia:

Urządzenie zostało wyprodukowane w sposób zapewniający zgodność z wszelkimi warunkami i normami australijskimi.

Niektóre zapisy w instrukcjach instalacji mogą odnosić się do wymogów dotyczących zasilania elektrycznego w innych krajach, dlatego należy zwrócić na nie szczególną uwagę.

Wtyczkę urządzenia należy podłączać tylko do gniazda prądu przemiennego 230/240 V 50 Hz, 10A, z uziemieniem.

## Wymagania dotyczące zasilania elektrycznego (tylko Wielka Brytania i Irlandia)

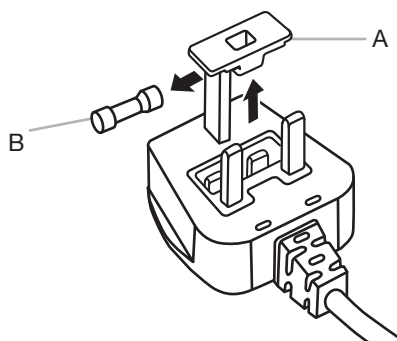
**WAŻNE:** Chłodziarka musi być uziemiona.

### Wymiana bezpiecznika topikowego

Jeżeli przewód główny chłodziarki jest wyposażony we wtyczkę BS1363A z bezpiecznikiem topikowym 13 A, w celu wymiany bezpiecznika w tego typu wtyczce, należy użyć bezpiecznika posiadającego dopuszczenie A.S.T.A. dla typu BS 1362, wykonując następujące czynności:

1. Zdjąć pokrywę bezpiecznika topikowego (A) i bezpiecznik topikowy (B).
2. Umieścić nowy bezpiecznik topikowy 13 A w pokrywie bezpiecznika.
3. Włożyć z powrotem pokrywę wraz z bezpiecznikiem topikowym do wtyczki.

**WAŻNE:** Podczas wymiany bezpiecznika topikowego konieczne jest założenie pokrywy bezpiecznika na miejsce. W przypadku utraty pokrywy bezpiecznika, zabrania się używania wtyczki do czasu zainstalowania odpowiedniej pokrywy zamiennej. Odpowiednią pokrywę można rozpoznać po kolorze wkładki lub słowie oznaczającym kolor, wytłoczonym na podstawie wtyczki. Zamiennie pokrywy bezpieczników są dostępne w miejscowych sklepach z artykułami elektrycznymi.



A. Pokrywa bezpiecznika topikowego  
B. Bezpiecznik topikowy

### Republika Irlandii (tylko):

Bardzo często zastosowanie będą miały informacje podane wyżej w odniesieniu do Wielkiej Brytanii, lecz używany jest również trzeci rodzaj wtyczki i gniazdka, 2-biegunowy, z uziemieniem bocznym.

### Gniazdo i wtyczka (dotyczy obydwu krajów):

Jeśli zainstalowana wtyczka nie pasuje do gniazda, prosimy skontaktować się z działem obsługi posprzedażnej w celu uzyskania dalszych instrukcji. Nie należy podejmować prób samodzielnej wymiany wtyczki. Procedura ta musi zostać wykonana przez wykwalifikowanego technika według instrukcji producenta i zgodnie z lokalnymi przepisami dotyczącymi bezpieczeństwa.

## Temperatura

Omawiana chłodziarka została zaprojektowana do użytkowania w miejscach, gdzie temperatura zawiera się w podanych niżej przedziałach, zależnych od klasy klimatycznej podanej na tabliczce znamionowej. Chłodziarka może nie działać prawidłowo, jeżeli będzie zbyt długo narażona na temperatury poza podanymi przedziałami.

**UWAGA:** Zaleca się, aby nie instalować chłodziarki w pobliżu źródeł ciepła, takich jak piekarnik lub grzejnik.

Klasa klimatyczna	T otocz. (°C)	T otocz. (°F)
SN	Od 10 do 32	Od 50 do 90
N	Od 16 do 32	Od 61 do 90
ST	Od 16 do 38	Od 61 do 100
T	Od 16 do 43	Od 61 do 110

## Zdejmowanie i zakładanie drzwi chłodziarki

**UWAGA:** Należy zmierzyć szerokość otworu drzwi aby ustalić, czy konieczne jest zdjęcie drzwi chłodziarki w celu wniesienia jej do domu. Jeżeli zdjęcie drzwi jest konieczne, należy zapoznać się z poniższymi instrukcjami.

**WAŻNE:** Jeżeli chłodziarka była wcześniej zainstalowana i jest wynoszona z domu, przed przystąpieniem do zdejmowania drzwi należy wyłączyć elementy sterujące chłodziarki. Wyjąć wtyczkę chłodziarki z gniazda lub odłączyć zasilanie. Wyjąć żywność i zdjąć regulowane koszyki z drzwi.

Zgromadzić wymagane narzędzia i przeczytać wszystkie instrukcje przed przystąpieniem do zdejmowania drzwi.

**POTRZEBNE NARZĘDZIA:** Klucz imbusowy 6 mm, klucz imbusowy 5 mm oraz wkrętak Phillips nr 2.



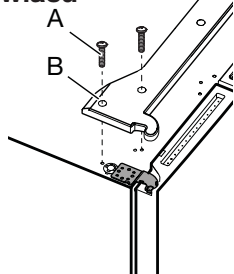
### ⚠ OSTRZEŻENIE

Zagrożenie porażeniem prądem elektrycznym

Przed zdjęciem drzwi należy odłączyć zasilanie.

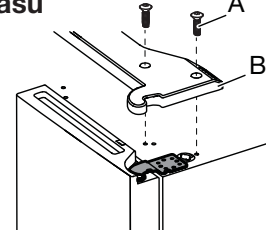
Niezastosowanie się do tego może doprowadzić do śmierci lub porażenia prądem elektrycznym.

#### Pokrywa lewego górnego zawiasu



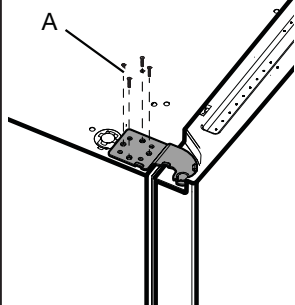
- A. Wkręty pokrywy górnego zawiasu
- B. Pokrywa górnego zawiasu

#### Pokrywa prawego górnego zawiasu



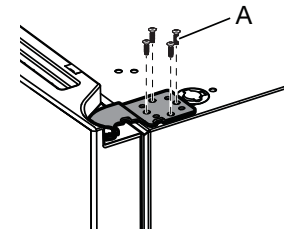
- A. Wkręty pokrywy górnego zawiasu
- B. Pokrywa górnego zawiasu

#### Lewy górny zawias



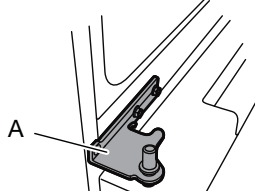
- A. Wkręty z łbem gniazdowym 5 mm

#### Prawy górny zawias



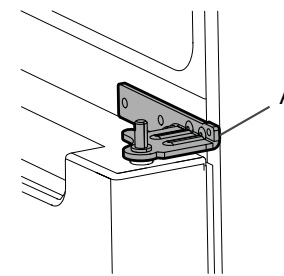
- A. Wkręty z łbem gniazdowym 5 mm

#### Lewy środkowy zawias



- A. Zawias

#### Prawy środkowy zawias



- A. Zawias



## ⚠ OSTRZEŻENIE

Niebezpieczeństwo związane z dużym ciężarem

Do podnoszenia drzwi chłodziarki potrzebne są co najmniej dwie osoby.

Nie przestrzeganie tego może spowodować urazy pleców i innych części ciała.

### Zdejmowanie drzwi chłodziarki

## ⚠ OSTRZEŻENIE



Zagrożenie porażeniem prądem elektrycznym

Przed zdjęciem drzwi należy odłączyć zasilanie.

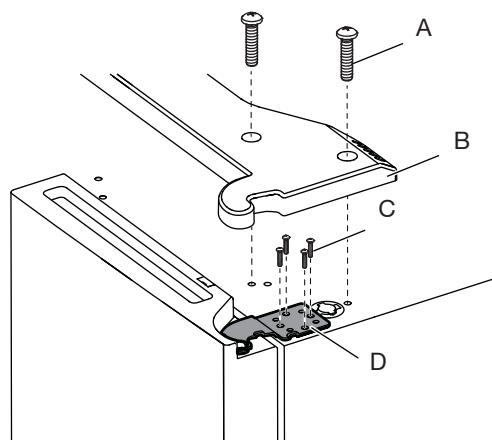
Niezastosowanie się do tego może doprowadzić do śmierci lub porażenia prądem elektrycznym.

### Zdejmowanie drzwi prawych

1. Wyjąć wtyczkę chłodziarki z gniazda lub odłączyć zasilanie.
2. Drzwi chłodziarki powinny pozostawać zamknięte do czasu, gdy będzie można je oddzielić od szafy.

**UWAGA:** Podczas demontowania zawiasów należy zapewnić dodatkowe podparcie dla drzwi chłodziarki. Podczas prac nie należy polegać na tym, że magnesy uszczelki drzwi utrzymają drzwi na miejscu.

3. Posługując się wkrętakiem typu Phillips, zdjąć pokrywę z górnego zawiasu.
4. Posługując się kluczem imbusowym 5 mm, wykręcić cztery wkręty z górnego zawiasu i odłożyć na bok.



A. Wkręt pokrywy górnego zawiasu

B. Pokrywa górnego zawiasu

C. Wkręty z łbem gniazdowym 5 mm

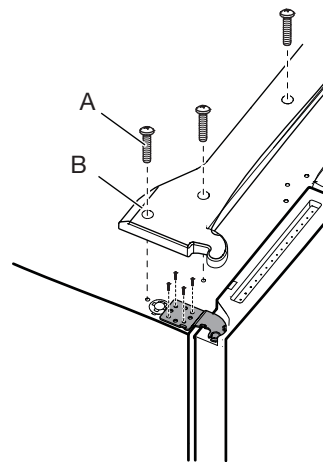
D. Górny zawias

5. Podnieść drzwi chłodziarki ze sworznia środkowego zawiasu. Górny zawias zejdzie razem z drzwiami.

### Zdejmowanie drzwi lewych

**WAŻNE:** Przewody interfejsu użytkownika biegną przez zawias drzwi lewych, dlatego konieczne jest ich odłączenie przed zdjęciem drzwi.

1. Posługując się wkrętakiem typu Phillips, zdjąć pokrywę z górnego zawiasu.

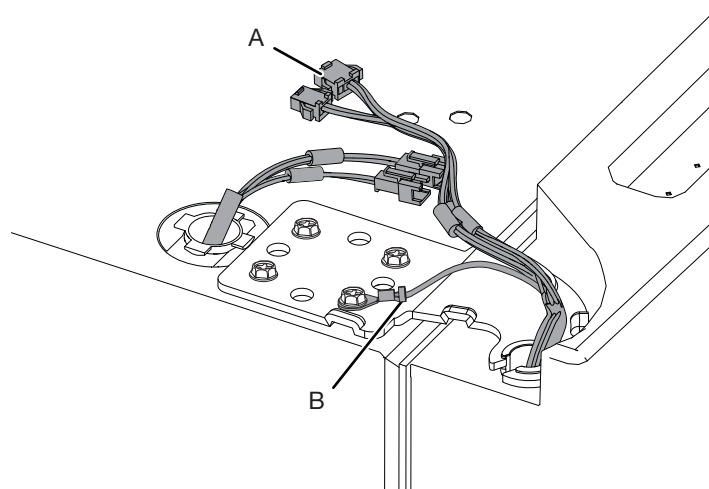


A. Wkręt pokrywy górnego zawiasu

B. Pokrywa górnego zawiasu

2. Odłączyć dwie wtyczki przewodów znajdujące się u góry zawiasu drzwi.

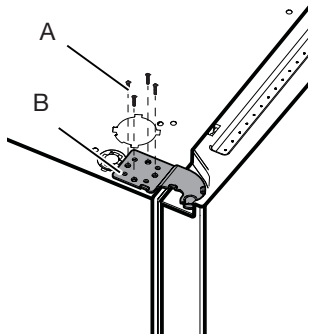
- Chwycić wtyczki przewodów po obydwu stronach. Nacisnąć lewym kciukiem, aby zwolnić zaczep i odciągnąć od siebie części wtyczek.



A. Wtyczka przewodów

B. Złącze uziemienia

- Postępując się kluczem imbusowym 5 mm, wykręcić cztery wewnętrzne wkręty z górnego zawiasu i odłożyć na bok.



- A. Wkręty z łbem gniazdowym 5mm  
B. Górny zawias

**UWAGA:** Podczas demontowania zawiasów należy zapewnić dodatkowe podparcie dla drzwi chłodziarki. Podczas prac nie należy polegać na tym, że magnesy uszczelki drzwi utrzymają drzwi na miejscu.

- Podnieść drzwi chłodziarki ze sworznia dolnego zawiasu. Górny zawias zejdzie razem z drzwiami.

**UWAGA:** Przemieszczenie chłodziarki przez drzwi może wymagać zdemontowania dolnych zawiasów i zespołów nóżek blokujących.

- Tylko jeśli to konieczne, zdemontować środkowy zawias przy użyciu klucza imbusowego 6 mm oraz wkrętaka Phillips nr 2.

#### Zakładanie drzwi prawych chłodziarki

- Założyć drzwi prawe na sworznię środkowego zawiasu.
- Włożyć sworznię górnego zawiasu do otworu u góry drzwi chłodziarki.
- Przymocować zawias do szafy przy użyciu wkrętów z łbem gniazdowym 5 mm. Wkrętów nie należy dokręcać całkowicie.

#### Zakładanie drzwi lewych chłodziarki

- Założyć drzwi lewe na sworznię środkowego zawiasu.
- Przymocować zawias do szafy przy użyciu wkrętów z łbem gniazdowym 5 mm. Wkrętów nie należy dokręcać całkowicie.
- Podłączyć z powrotem przewody elektryczne.
  - Ścisnąć ze sobą obydwie części wtyczki przewodów.
  - Podłączyć z powrotem przewód uziemienia do wkręta zawiasu.

#### Czynności końcowe

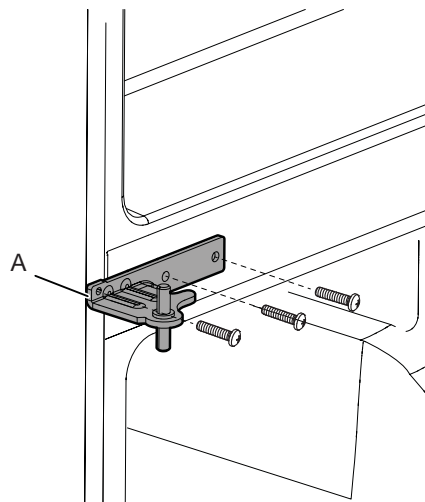
- Całkowicie dokręcić osiem wkrętów z łbem gniazdowym 5 mm.
- Założyć na miejsce pokrywki górnego zawiasu.

## Zdejmowanie i zakładanie drzwi zamrażarki/elastycznego mrożenia

- Drzwi zamrażarki powinny pozostawać zamknięte do czasu, gdy będzie można je oddzielić od szafy.

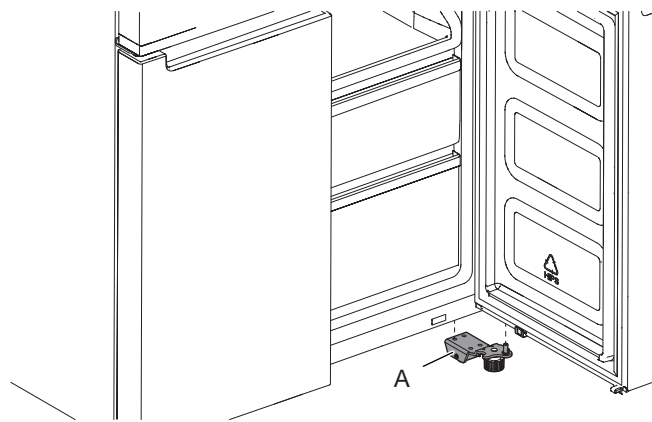
**UWAGA:** Podczas demontowania zawiasów należy zapewnić dodatkowe podparcie dla drzwi zamrażarki. Podczas prac nie należy polegać na tym, że magnesy uszczelki drzwi utrzymają drzwi na miejscu.

- Postępując się wkrętakiem typu Phillips nr 2 oraz kluczem imbusowym 6 mm, zdemontować środkowy zawias z szafy.



A. Środkowy zawias

- Podnieść drzwi zamrażarki ze sworznia dolnego zawiasu.



A. Dolny zawias

## ⚠ OSTRZEŻENIE



**Zagrożenie porażeniem prądem elektrycznym**

**Wtyczkę należy podłączać do gniazda z uziemieniem.**

**Zabrania się usuwania usuwać bolca uziemiającego.**

**Zabrania się używania adapterów.**

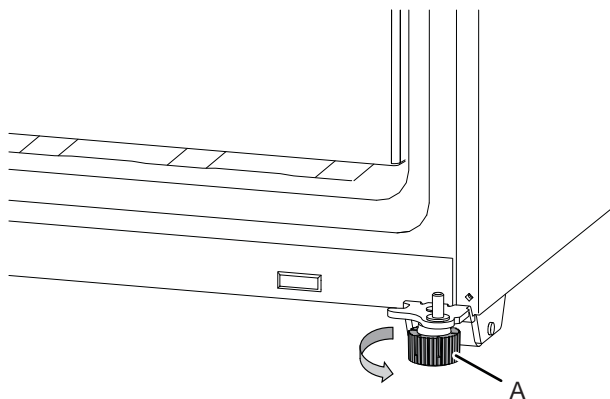
**Zabrania się używania kabli przedłużających.**

**Nie przestrzeganie tych instrukcji może spowodować śmierć, pożar lub porażenie prądem elektrycznym.**

1. Podłączyć wtyczkę do gniazda z uziemieniem.
2. Założyć wszystkie demontowalne elementy i włożyć żywność do szuflad.

## Poziomowanie chłodziarki

1. Ustawić chłodziarkę w docelowym miejscu.
2. Obrócić nóżki blokujące ręką. Należy obracać je przeciwnie do ruchu wskazówek zegara do momentu uniesienia rolek nad podłogę i pewnego oparcia nóżek blokujących na podłodze. Zapobiegnie to toczeniu się chłodziarki do przodu podczas otwierania drzwi.



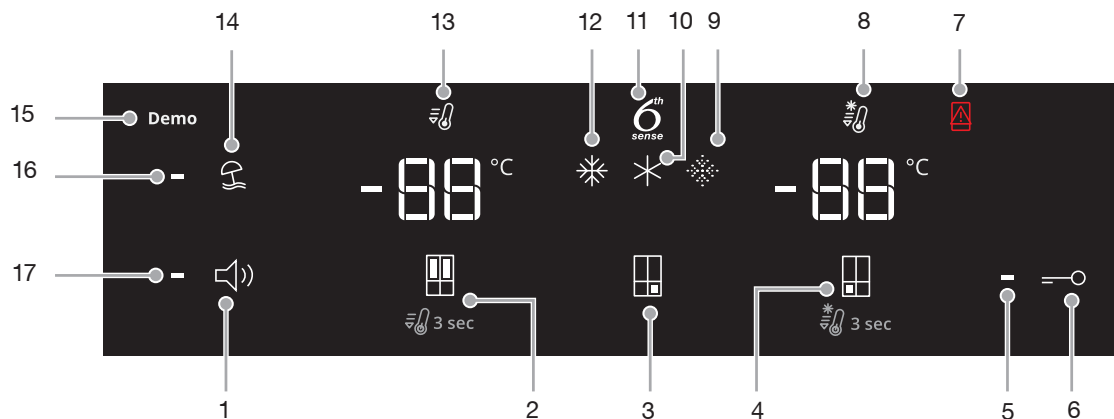
A. Nóżki blokujące

**WAŻNE:** Aby dokonać dalszych regulacji przy użyciu nóżek blokujących, konieczne jest ich obracanie o taki sam kąt, aby utrzymać wypoziomowanie chłodziarki.

3. Posługując się poziomicą, sprawdzić wypoziomowanie chłodziarki w kierunku przód-tył i na boki.

## Używanie elementów sterujących

Dotykowe elementy sterujące znajdują się na lewych drzwiach chłodziarki. Pulpit sterujący zawiera informacje dotyczące różnych przycisków i wskaźników. Wskaźnik temperatury chłodziarki i zamrażarki podaje ostatnio nastawioną temperaturę.



1. Przycisk włączania i wyłączania dźwięków
2. Przycisk temperatury chłodziarki (przytrzymanie przez 3 sek. włącza szybkie schładzanie)
3. Przycisk ustawienia temperatury elastycznego mrożenia (tylko w WQ9 B1L, 6WM591NIHAS oraz WQ70900SXX)
4. Przycisk temperatury zamrażarki (przytrzymanie przez 3 sek. włącza szybkie mrożenie)
5. Wskaźnik blokady
6. Przycisk blokady
7. Wskaźnik otwartych drzwi
8. Wskaźnik szybkiego mrożenia
9. Wskaźnik łagodnego mrożenia (tylko w WQ9 B1L, 6WM591NIHAS oraz WQ70900SXX)
10. Wskaźnik średniego mrożenia (tylko w WQ9 B1L, 6WM591NIHAS oraz WQ70900SXX)
11. Wskaźnik 6th Sense
12. Wskaźnik mocnego mrożenia (tylko w WQ9 B1L, 6WM591NIHAS oraz WQ70900SXX)
13. Wskaźnik szybkiego schładzania
14. Przycisk trybu urlopowego
15. Wskaźnik trybu demonstracyjnego (tylko w WQ9 B1L, 6WM591NIHAS oraz WQ70900SXX)
16. Wskaźnik trybu urlopowego
17. Wskaźnik dźwięku

Pulpit sterujący wyłączy się automatycznie po upływie jednej minuty bezczynności. Aby włączyć pulpit sterujący należy nacisnąć dowolny klawisz.

### -88 Wyświetlanie i zmienianie nastaw temperatury

#### Ustawianie temperatur komór chłodziarki i zamrażarki:

Dla wygody użytkownika, elementy sterujące chłodziarki i zamrażarki zostały ustawione fabrycznie.

Przy pierwszej instalacji chłodziarki, należy upewnić się, czy elementy sterujące nadal są ustawione na zalecane nastawy. Zalecane nastawy fabryczne to: 3°C dla chłodziarki oraz -18°C dla zamrażarki.

Naciśnięcie przycisku temperatury chłodziarki lub zamrażarki wyświetla kolejno nastawy temperatury w stopniach Celsjusza (°C).

#### WAŻNE:

- Przed włożeniem żywności do chłodziarki należy odczekać 24 godziny. Włożenie żywności do chłodziarki przed jej całkowitym schłodzeniem może skutkować zepsuciem żywności.

**UWAGA:** Ustawienie nastaw na temperatury niższe od zalecanych nie spowoduje szybszego ochłodzenia komór.

- Jeżeli temperatura wewnątrz chłodziarki lub zamrażarki jest zbyt wysoka lub zbyt niska, przed przestawieniem elementów sterujących należy sprawdzić, czy otwory wentylacyjne nie są zablokowane.

- Zalecane ustawienia powinny być odpowiednie dla typowego użytku domowego. Elementy sterujące są nastawione prawidłowo, gdy mleko lub sok są tak zimne, jak lubisz, a lody są twarde.

**UWAGA:** W miejscach takich jak garaże, piwnice lub przedsiionki, mogą występować większe temperatury skrajne oraz wilgotność. Aby uwzględnić te warunki, może zachodzić potrzeba zmiany ustawień temperatury na inne niż zalecane.

- Należy odczekać co najmniej 24 minut pomiędzy kolejnymi zmianami. Sprawdzić ponownie temperaturę przed dokonaniem innych regulacji.

### 6<sup>th</sup> Sterowanie mrożeniem i funkcją zachowania świeżości 6<sup>th</sup> Sense


Czujnik ochrony świeżości 6<sup>th</sup> SENSE zapewnia precyzyjne i powtarzalne sterowanie temperaturą, które pozwala w najbardziej naturalny sposób zachować świeżość żywności przez dłuższy czas. Po wykryciu zmiany temperatury, czujnik uaktywnia sprężarkę, która szybko przywraca pierwotną temperaturę.

Czujnik mrożenia 6<sup>th</sup> SENSE minimalizuje fluktuacje temperatury w zamrażarce dzięki nowatorskiemu systemowi zarządzania temperaturą. Zmniejsza to ryzyko wystąpienia oparzelin i chroni jakość oraz kolor żywności.

#### \* \* \* Ustawienie elastycznego mrożenia (tylko w WQ9 B1L, 6WM591NIHAS oraz WQ70900SXX)

Funkcja elastycznego mrożenia pozwala na przełączanie wcześniej nastawionych temperatur dla komory elastycznego mrożenia.

Symbol	Funkcja	Temperatura
☼	Mrożenie tradycyjne	-18°C
✧	Mrożenie umiarkowane	-12°C
☼	Mrożenie słabe	-7°C

\* Aby włączyć/wyłączyć ustawienie najniższej temperatury (-20°C), należy nacisnąć przycisk temperatury elastycznego mrożenia  i przytrzymać przez 3 sekundy.

## Regulowanie ustawienia wielu temperatur



- Mrożenie tradycyjne (-18 °C): Żywność już zamrożona i żywność świeża (maks. 12 miesięcy)
- Mrożenie umiarkowane (-12 °C): Żywność już zamrożona (maks. 1 miesiąc)
- Mrożenie słabe (-7 °C): Żywność już zamrożona (maks. 1 tydzień)

Podczas regulowania nastaw temperatury, należy posłużyć się poniższą tabelą:

STAN	REGULACJA TEMPERATURY
Chłodziarka zbyt zimna	Ustawienie chłodziarki o 1° wyżej
Chłodziarka zbyt ciepła	Ustawienie chłodziarki o 1° niżej
Zamrażarka zbyt zimna	Ustawienie zamrażarki o 1° wyżej
Zamrażarka zbyt ciepła lub za mało lodu	Ustawienie zamrażarki o 1° niżej



## Szybkie schładzanie

Funkcja szybkiego schładzania jest pomocna w okresach intensywnego wykorzystania chłodziarki, przy pełnym załadunku i przy wysokich temperaturach w pomieszczeniu.

- Aby włączyć funkcję szybkiego schładzania, należy nacisnąć przycisk temperatury chłodziarki  i przytrzymać przez 3 sekundy. Włączenie funkcji jest sygnalizowane świeceniem ikony szybkiego schładzania. Funkcja szybkiego schładzania pozostaje włączona przez 2 godziny, chyba że zostanie wyłączona ręcznie.
- Aby ręcznie wyłączyć funkcję szybkiego schładzania, należy nacisnąć przycisk temperatury chłodziarki  i przytrzymać przez 3 sekundy. Ikona szybkiego schładzania nie świeci, gdy ta funkcja jest wyłączona.
- Zmiana nastawy temperatury chłodziarki automatycznie wyłącza funkcję szybkiego schładzania.

## Szybkie mrożenie

Ilość świeżej żywności (w kg), jaką można zamrozić w ciągu 24 godzin podano na tabliczce znamionowej urządzenia.

- Na 24 godziny przed włożeniem świeżej żywności do zamrażarki należy nacisnąć przycisk temperatury zamrażarki  i przytrzymać przez 3 sekundy (aż zacznie świecić wskaźnik szybkiego mrożenia). 24 godziny działania funkcji szybkiego mrożenia po umieszczeniu świeżej żywności w zamrażarce zwykle jest wystarczające. Po upływie 50 godzin funkcja szybkiego mrożenia wyłącza się automatycznie.
- Aby ręcznie wyłączyć funkcję szybkiego mrożenia, należy nacisnąć przycisk temperatury zamrażarki  i przytrzymać przez 3 sekundy. Ikona szybkiego mrożenia zgaśnie.
- Zmiana nastawy temperatury zamrażarki automatycznie wyłącza funkcję szybkiego mrożenia.

## Tryb urlopowy

Tryb ten zapobiega marnotrawieniu energii przez urządzenie wtedy, gdy nie jest ono regularnie używane (np. gdy wyjechaliśmy na urlop).

Wybranie tej funkcji spowoduje automatyczne ustawienie najwyższej nastawy temperatury w komorze chłodziarki (RC).

- Aby użyć trybu urlopowego, należy nacisnąć przycisk trybów pracy, aż wskaźnik trybu urlopowego pojawi się na wyświetlaczu.
- Aby zakończyć tryb urlopowy, należy nacisnąć przycisk trybów pracy, aż na wyświetlaczu nie będzie świecić żadna ikona trybu pracy.
- Zmiana nastawy temperatury chłodziarki automatycznie wyłącza funkcję trybu urlopowego.

**WAŻNE:** Jeżeli wybrano ten tryb, konieczne jest wyjęcie całej żywności i napojów z komory chłodziarki.

## Włączanie i wyłączenie dźwięków

Naciśnięcie tego przycisku włącza lub wyłącza sygnały akustyczne.

## Blokada klawiszy

- Aby uaktywnić funkcję blokady, należy nacisnąć przycisk blokady i przytrzymać przez 3 sekundy.
- Aby wyłączyć blokadę, należy nacisnąć przycisk blokady i przytrzymać przez 3 sekundy.

Funkcja blokady uniemożliwia korzystanie z pulpitu sterującego do czasu jego odblokowania przez użytkownika. Funkcja ta zapobiega niezamierzonym zmianom ustawień.

## Tryb demonstracyjny (tylko w WQ9 B1L, 6WM591NIHAS oraz WQ70900SXX)


Tryb ten jest używany, gdy chłodziarka jest wystawiona w sklepie lub gdy zachodzi potrzeba wyłączenia chłodzenia i wszystkich innych funkcji (za wyjątkiem oświetlenia wnętrza).

Trybu demonstracyjnego można używać w przypadku wyjazdu na dłuższy urlop. Czynnności wymagane w związku z pozostawieniem chłodziarki w tym trybie na dłuższy czas opisano w rozdziale pt. „Urlop i przeprowadzka”.

- Włączenie trybu demonstracyjnego spowoduje pojawienie się ikony „Demo” na wyświetlaczu.
- Aby wyłączyć lub wyłączyć tryb demonstracyjny należy nacisnąć jednocześnie przycisk włączania lub wyłączania dźwięku oraz przycisk blokady i przytrzymać je przez 3 sekundy.

## Dodatkowe funkcje

### Alarm otwartych drzwi

- Funkcja alarmu otwartych drzwi emituje alarm akustyczny i powoduje miganie ikony otwartych drzwi , gdy dowolne z czterech skrzydeł drzwi jest otwarte dłużej niż 2 minuty.
- Alarm jest powtarzany co 5 minut. Aby go wyłączyć, należy zamknąć wszystkie drzwi.

**UWAGA:** Aby wyciszyć alarm akustyczny przy otwartych drzwiach, np. podczas czyszczenia wnętrza chłodziarki, należy dotknąć dowolnego przycisku na pulpicie sterującym. Dźwięk alarmu zostanie tymczasowo wyłączony, jednak ikona otwartych drzwi nadal będzie wyświetlana na pulpicie sterującym.

## Oświetlenie chłodziarki

Chłodziarka wyposażona jest w oświetlenie wnętrza, które włącza się w momencie otwarcia drzwi.

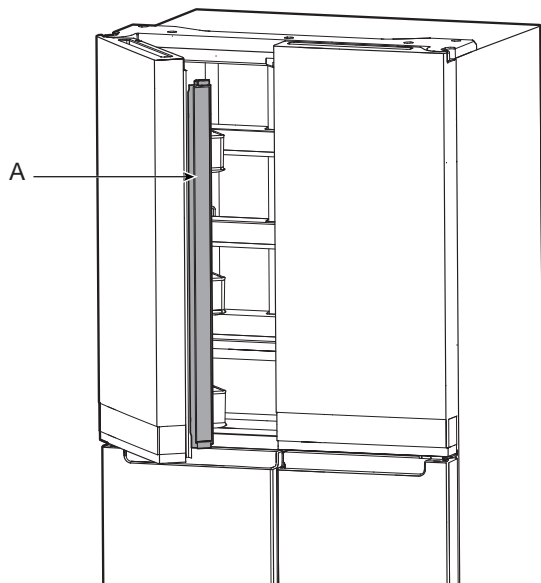
**UWAGA:** Oświetlenie wykonano w technologii LED i nie wymaga wymiany. Jeżeli oświetlenie LED nie włącza się po otwarciu drzwi, należy wezwać serwis w celu wymiany oświetlenia.

# UŻYTKOWANIE CHŁODZIARKI

## Otwieranie i zamykanie drzwi

Drzwi komory chłodziarki posiadają dwa skrzydła. Skrzydła drzwi można zamykać oddzielnie lub łącznie. Na lewym skrzydle drzwi chłodziarki znajduje się pionowe uszczelnienie zamocowane zawiasowo.

- Otwarcie lewego skrzydła drzwi powoduje automatyczne złożenie się i schowanie uszczelnienia na zawiasie do wewnątrz.
- Gdy obydwa skrzydła drzwi są zamknięte, uszczelnienie na zawiasie automatycznie tworzy uszczelnienie pomiędzy obydwooma skrzydłami drzwi.

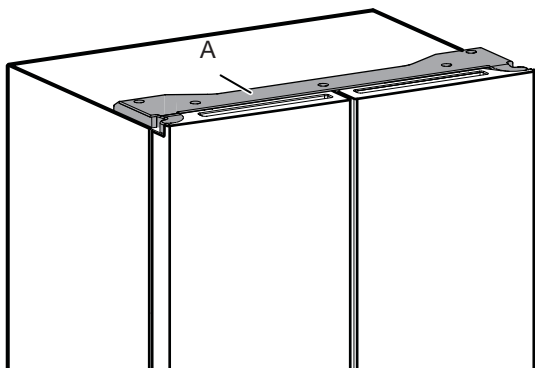


A. Uszczelnienie zawiasowe

Łącznik drzwiowy komory chłodziarki znajduje się w pokrywie górnego lewego i prawego zawiasu.

- Łącznik drzwiowy zamrażarki oraz przedziału wielotemperaturowego znajduje się w słupku dolnym.
- Łącznik drzwiowy wykrywa otwarcie drzwi dzięki magnesowi.
- Nie należy zbliżać urządzeń magnetycznych lub elektronicznych (np. głośnik, Coolvox® itp.) na odległość mniejszą niż 7,62 cm od kołpaka zawiasu.

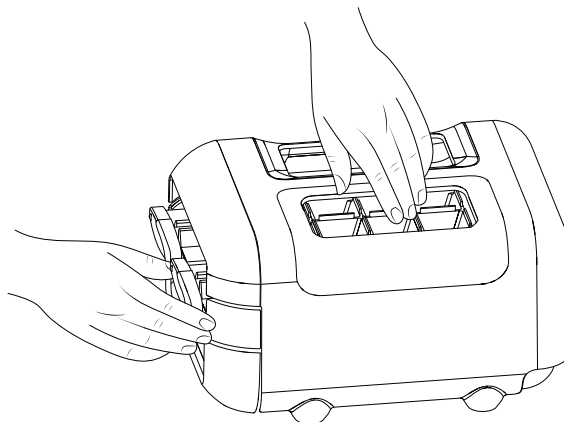
**UWAGA:** W przypadku niewykrycia otwarcia drzwi, oświetlenie nie zostanie włączone.



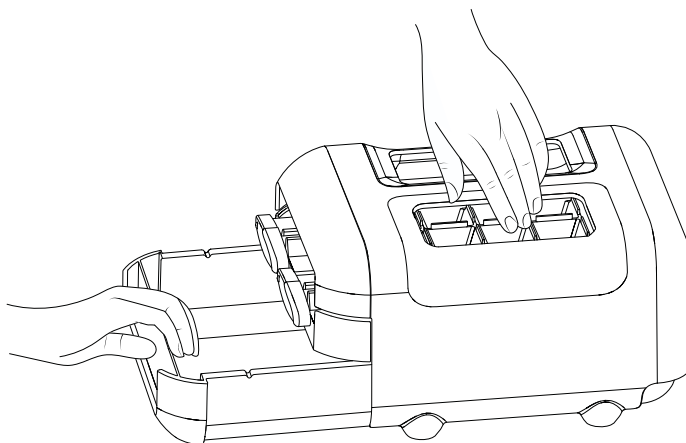
A. Pokrywa zawiasu

## Kostkarka do lodu

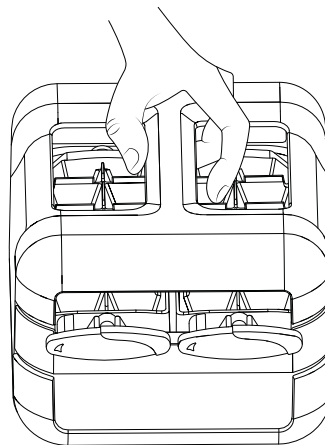
- Aby wyprodukować lód, należy napęlić tackę filtrowaną wodą i umieścić ręczną kostkarkę do lodu na górnej półce zamrażarki. Zaczekać na powstanie lodu, a następnie obrócić pokrętkę w kierunku zgodnym z ruchem wskazówek zegara, aby wycisnąć kostki lodu do pojemnika na lód.



- Unieść nieco pojemnik na lód i wyciągnąć go, aby uzyskać dostęp do kostek lodu.



Gdy zespół ręcznej kostkarki do lodu nie jest używany, można wyjąć go z zamrażarki, aby zrobić miejsce w zamrażarce.



## Przechowywanie żywności

### Przechowywanie jaj

Aby zapewnić świeżość jaj, zaleca się przechowywać je w stałej temperaturze, dlatego jaja najlepiej trzymać w chłodziarce, na środkowej półce.

# PÓŁKI, POJEMNIKI I SZUFLADY

## Ważne informacje dotyczące szklanych półek i pokryw:

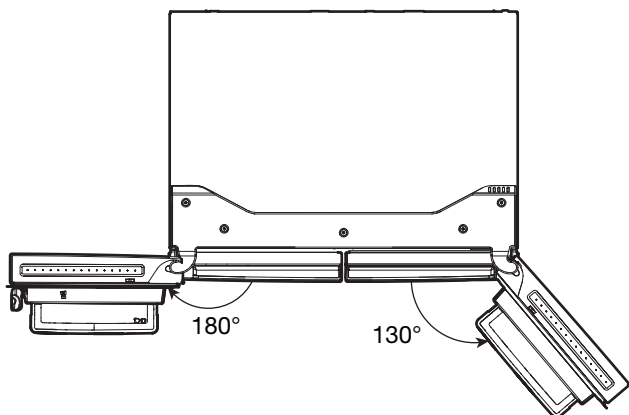
Nie czyścić zimnych szklanych półek ani pokryw przy użyciu ciepłej wody. Narażanie szklanych półek i pokryw na nagłe zmiany temperatury lub uderzenia może spowodować ich pęknięcie.

Szkło hartowane rozpryskuje się na wiele małych odłamków. Jest to zjawisko normalne. Szklane półki i pokrywy są ciężkie. Należy je wyjmować oburącz, aby uniknąć upuszczenia.

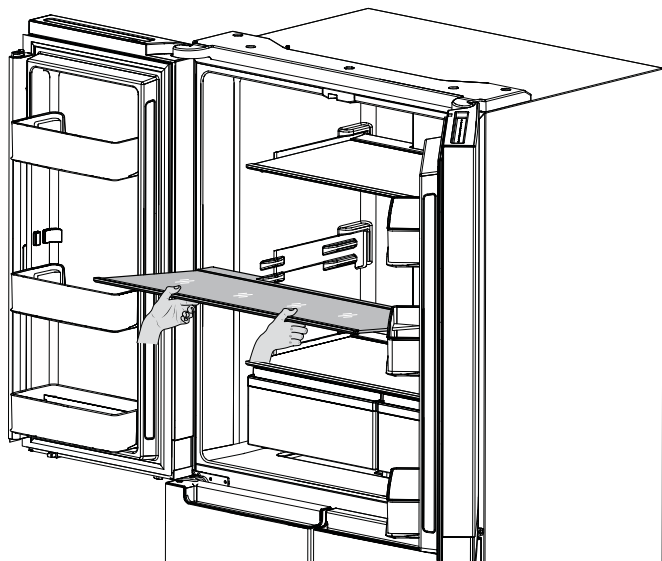
## Regulacja wysokości półek

Wysokość półek można regulować umieszczając je na wspornikach dolnych lub górnych.

- Otworzyć prawe drzwi na całą szerokość.
- Otworzyć lewe drzwi na całą szerokość, a następnie podnieść drzwi, aby otworzyć je o 180°.



- Wyjąć półkę z chłodziarki i włożyć je na żądane miejsce.



- Upewnić się, czy półka jest prawidłowo osadzona w uchwytach.

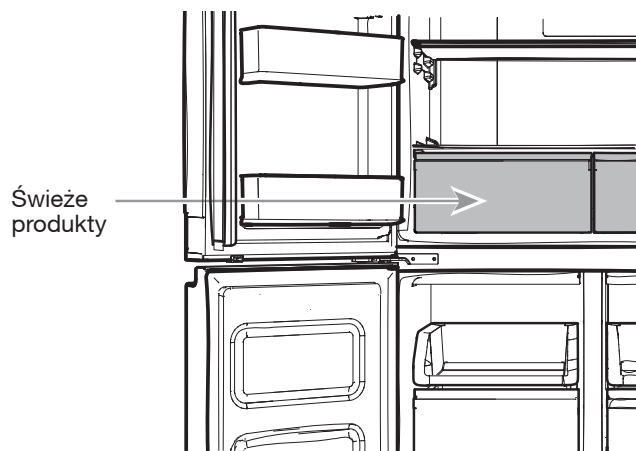
## Półki i ramki półek

Półki w chłodziarce można regulować zależnie od własnych potrzeb. Przechowywanie podobnych produktów spożywczych w jednym miejscu chłodziarki i dostosowanie półek do różnych wysokości produktów ułatwia znalezienie właściwych wyrobów. Pozwala to również na skrócenie czasu otwarcia drzwi chłodziarki oraz na oszczędność energii.

### Wyjmowanie i zakładanie półek:

1. Otworzyć prawe drzwi na całą szerokość, lewe drzwi na całą szerokość a następnie je podnieść, aby otworzyć o 180°.
2. Wyjąć środkową lub górną półkę podnosząc ją i wysuwając z uchwytów. Następnie wyciągnąć półkę do przodu i przechylić do dołu, do pozycji pionowej. Ustawić półkę pod kątem i wyciągnąć z chłodziarki.
3. Wyjąć dolną półkę podnosząc ją i wysuwając z uchwytów. Następnie wyciągnąć półkę do przodu i przechylić do góry, do pozycji pionowej. Ustawić półkę pod kątem i wyciągnąć z chłodziarki.
4. Zainstalować z powrotem środkową i górną półkę, wkładając je pod kątem do chłodziarki, przodem półki do dołu. Podnieść przód półki i wsunąć ją tak, aby tył półki wszedł do uchwytów półki. Obniżyć przód półki i upewnić się, czy półka została prawidłowo osadzona.
5. Zainstalować z powrotem dolną półkę, wkładając ją pod kątem do chłodziarki, półką do góry. Obniżyć przód półki i wsunąć ją tak, aby tył półki wszedł do uchwytów półki. Obniżyć przód półki i upewnić się, czy półka została prawidłowo osadzona.

## Pojemniki na świeże produkty

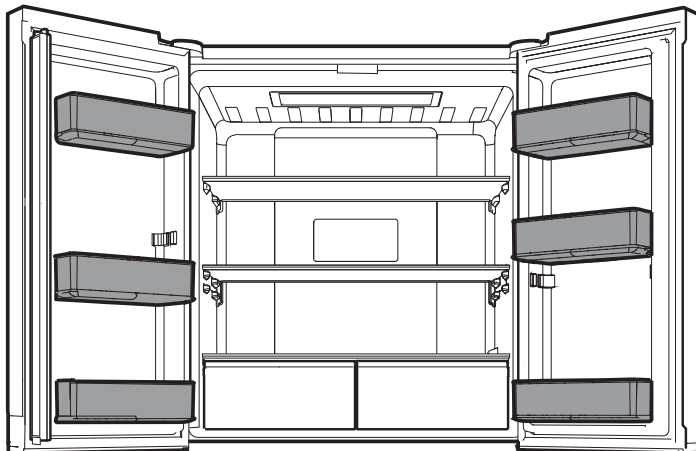


### Aby wyjąć i włożyć na miejsce pojemniki na świeże produkty, należy:

1. Chwycić za uchwyt pojemnika na świeże produkty i wysunąć go na wprost do oporu. Podnieść pojemnik na świeże produkty i zdjąć z prowadnicy dolnej.
2. Aby założyć pojemnik na świeże produkty na miejsce, należy umieścić go na prowadnicy dolnej i popchnąć na właściwe miejsce, pokonując opór.

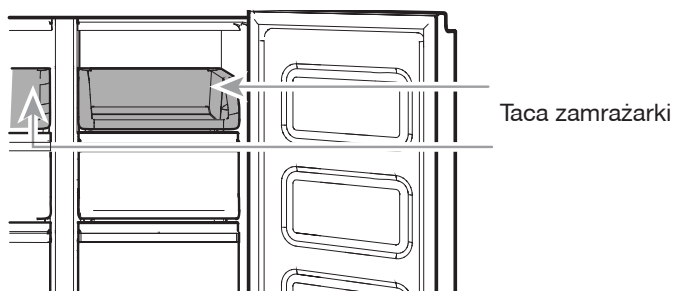
## Balkoniki chłodziarki

Balkoniki na drzwiach chłodziarki można regulować zależnie od własnych potrzeb.



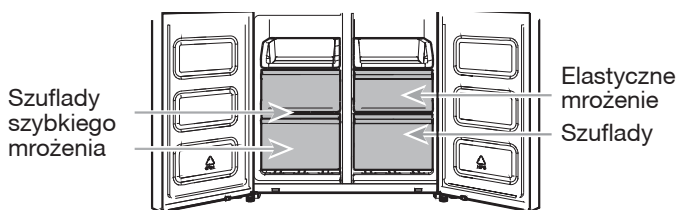
## Komory zamrażarki

### Taca zamrażarki



Taca zamrażarki pozwala na łatwy dostęp do często używanych produktów, a także na zamrażanie lub przechowywanie resztek lub niewielkich produktów.

### Szuflady zamrażarki



### Komora szybkiego mrożenia

- Szuflady szybkiego mrożenia pozwalają na wygodne przechowywanie produktów o dużych rozmiarach.
- Opcja szybkiego mrożenia umożliwia bezpieczne i uporządkowane przechowywanie zamrożonej żywności.

### Komora elastycznego mrożenia (tylko w WQ9 B1L, 6WM591NIHAS oraz WQ70900SXX)

Funkcja elastycznego mrożenia pozwala na wybranie jednego z trzech poziomów temperatury zamrażarki:  $-7^{\circ}\text{C}$ ,  $-12^{\circ}\text{C}$  oraz  $-18^{\circ}\text{C}$ , w celu zapewnienia najlepszych warunków przechowywania dla różnych rodzajów żywności.

W celu maksymalizacji pojemności zamrażarki można wyjąć szufladę zamrażarki, odsłaniając półkę zamrażarki.

### Aby wyjąć szufladę górną, należy:

1. Chwycić za uchwyt szuflady i wysunąć ją na wprost do oporu. Podnieść szufladę i zdjąć z prowadnicy dolnej.
2. Aby założyć szufladę na miejsce, należy umieścić ją na prowadnicy dolnej i popchnąć na właściwe miejsce, pokonując opór.

### Półka zamrażarki (tylko w WQ9 E1L oraz WQ9 B1L)

W celu maksymalizacji pojemności zamrażarki można wyjąć szufladę środkową, odsłaniając półkę zamrażarki. Pozwala to na przechowywanie szuflady górnej załadowanej żywnością bezpośrednio na półce.

## Sygnaly akustyczne

### Przypisanie dźwięku

Nazwa dźwięku	Przykłady użycia
Włączenie zasilania	Układ chłodzenia włącza się przy każdym włączeniu zasilania urządzenia.
Naciśnięcie klawisza	Użytkownik naciska prawidłowy przycisk.
Nieprawidłowe działanie (błąd)	Użytkownik naciska dwa lub więcej prawidłowych przycisków jednocześnie. Przerwanie odliczania dla przycisków typu naciśnij-przytrzymaj.
Włączenie	Potwierdzenie włączenia danego trybu.
Wyłączenie	Potwierdzenie wyłączenia danego trybu.
Alarm	Alarm uchylonych drzwi.

Tabela stanowi tylko skrócone zestawienie. Szczegółowe informacje podano w odpowiednich rozdziałach. W przypadku niezgodności, nadrzędne są informacje zamieszczone w danym rozdziale.

## Akcesoria

Aby zamówić akcesoria, należy skontaktować się z dostawcą, u którego zakupiono chłodziarkę.

## Pomoc techniczna i serwis

Przed skontaktowaniem się z działem pomocy technicznej lub serwisu, prosimy zapoznać się z rozdziałem pt. „Rozwiązywanie problemów”. Być może pozwoli to zaoszczędzić kosztu wzywania serwisu. Jeżeli nadal potrzebna jest pomoc, należy postępować zgodnie z poniższymi instrukcjami.

### Jeśli potrzebne są części zamienne

Aby ustalić miejsce, gdzie można zakupić określone przez producenta części zamienne, należy skontaktować się z dostawcą, u którego zakupiono chłodziarkę.

### Gwarancja

Informacji na temat gwarancji udziela dostawca, u którego zakupiono chłodziarkę.

**Niniejszy podręcznik oraz dowód zakupu należy przechowywać razem do korzystania w przyszłości. Uzyskanie obsługi gwarancyjnej wymaga przedstawienia dowodu potwierdzającego datę zakupu lub instalacji.**

Poniżej prosimy zapisać informacje dotyczące urządzenia, co ułatwi uzyskanie pomocy technicznej lub serwisu, jeżeli okaże się to niezbędne. Potrzebny będzie pełny numer modelu i numer seryjny. Informacje te można znaleźć na naklejkach numeru seryjnego i modelu, znajdujących się na wewnętrznej ścianie komory chłodziarki.

Nazwa dostawcy \_\_\_\_\_

Numer seryjny \_\_\_\_\_

Adres \_\_\_\_\_

Numer telefonu \_\_\_\_\_

Numer modelu \_\_\_\_\_

Data zakupu \_\_\_\_\_



# PIELĘGNACJA CHŁODZIARKI

## Czyszczenie

### **⚠ OSTRZEŻENIE**



#### Zagrozenie wybuchem

Stosować niepalne preparaty czyszczące.

Niezastosowanie się do tego może doprowadzić do śmierci, wybuchu lub pożaru.

Wszystkie sekcje chłodziarki, zamrażarki i mrożenia elastycznego (tylko w WQ9 B1L, 6WM591NIHAS oraz WQ70900SXX) odszraniają się automatycznie. Mimo to, wszystkie sekcje należy czyścić raz w miesiącu, aby uniknąć gromadzenia się zapachów. Rozlane płyny należy wytrzeć niezwłocznie.

### Czyszczenie powierzchni zewnętrznych

Należy zapoznać się z informacjami dotyczącymi czyszczenia powierzchni zewnętrznych konkretnego modelu.

#### Rodzaj 1 – drzwi gładkie

**WAŻNE:** Uszkodzenia wykończenia gładkiego spowodowane niewłaściwym użyciem środków czyszczących lub użyciem niezalecanych środków czyszczących nie są objęte gwarancją. Ostre lub tępe przyrządy spowodują zmatowienie wykończenia.

UŻYWAĆ	NIE UŻYWAĆ
✓ Miękka, czysta ściereczka	✗ Ostre ściereczki ✗ Ręczniki papierowe lub gazety ✗ Zmywaki drucziane
✓ Ciepła woda z dodatkiem delikatnego detergentu	✗ Proszki lub płyny o własnościach ściernych ✗ Aerozole do okien ✗ Amoniak ✗ Środki czyszczące na bazie kwasów lub octu ✗ Środki do czyszczenia piekarników ✗ Ciecze palne

**UWAGA:** Ręczniki papierowe pozostawiają rysy i mogą matowić przezroczystą powłokę lakierniczą drzwi. Aby uniknąć ewentualnych uszkodzeń, do wycierania i polerowania drzwi należy używać tylko miękkich ściereczek.

#### Rodzaj 2 – stal nierdzewna

##### WAŻNE:

- Należy używać tylko ściereczek i preparatów czyszczących zalecanych do stali nierdzewnej. Uszkodzenia wykończenia ze stali nierdzewnej spowodowane niewłaściwym użyciem środków czyszczących lub użyciem niezalecanych środków czyszczących nie są objęte gwarancją.
- Należy unikać narażenia urządzeń ze stali nierdzewnej na działanie czynników żrących i korozyjnych, takich jak środowiska o wysokim zasoleniu i zawilgoceniu. Uszkodzenia powstałe w wyniku narażenia na takie czynniki nie są objęte gwarancją.

UŻYWAĆ	NIE UŻYWAĆ
✓ Miękka, czysta ściereczka	✗ Ostre ściereczki ✗ Ręczniki papierowe lub gazety ✗ Zmywaki drucziane
✓ Ciepła woda z dodatkiem delikatnego detergentu	✗ Proszki lub płyny o własnościach ściernych ✗ Amoniak ✗ Środki czyszczące na bazie cytrusów ✗ Środki czyszczące na bazie kwasów lub octu ✗ Środki do czyszczenia piekarników
✓ W przypadku znacznych zabrudzeń, należy używać wyłącznie preparatów czyszczących do stali nierdzewnej, przeznaczonych do tego rodzaju urządzeń. Aby zamówić preparat czyszczący należy skontaktować się z dostawcą, u którego zakupiono chłodziarkę.	✗ Preparat czyszczący do stali nierdzewnej przeznaczony jest wyłącznie do elementów wykonanych ze stali nierdzewnej. Nie dopuszczać do kontaktu preparatu czyszczącego do stali nierdzewnej z jakimkolwiek częściami plastikowymi, takimi jak elementy wykończeniowe, pokrywy dozowników lub uszczelki drzwi.

#### Rodzaj 3 – stal nierdzewna odporna na odciski palców

##### WAŻNE:

- Należy unikać narażenia urządzeń ze stali nierdzewnej na działanie czynników żrących i korozyjnych, takich jak środowiska o wysokim zasoleniu i zawilgoceniu. Uszkodzenia powstałe w wyniku narażenia na takie czynniki nie są objęte gwarancją.

UŻYWAĆ	NIE UŻYWAĆ
✓ Miękka, czysta ściereczka	✗ Ostre ściereczki ✗ Ręczniki papierowe lub gazety ✗ Zmywaki drucziane
✓ Ciepła woda z dodatkiem delikatnego detergentu	✗ Proszki lub płyny o własnościach ściernych ✗ Aerozole do okien ✗ Amoniak ✗ Środki czyszczące na bazie kwasów lub octu ✗ Środki do czyszczenia piekarników ✗ Ciecze palne

##### UWAGI:

- Jeżeli dojdzie do niezamierzonego kontaktu, plastikowy element należy oczyścić gąbką i roztworem delikatnego detergentu w ciepłej wodzie. Osuszyć dokładnie miękką ściereczką.
- Preparat czyszczący może mieć właściwości ściernie, mimo że ma postać płynu. Wiele płynnych preparatów czyszczących przeznaczonych do płytek ceramicznych i gładkich powierzchni nadal powoduje uszkodzenie stali nierdzewnej.
- Kwas cytrynowy powoduje trwale odbarwienia stali nierdzewnej.
- Należy unikać uszkodzenia wykonanych ze stali nierdzewnej powierzchni chłodziarki:

##### Nie pozostawiać następujących substancji na wykończeniach:

- ✗ Musztarda
- ✗ Sosy na bazie cytrusów
- ✗ Sok pomidorowy
- ✗ Produkty na bazie cytrusów
- ✗ Sos marinara

---

## Czyszczenie powierzchni zewnętrznych

---

1. Wyjąć wtyczkę chłodziarki z gniazda lub odłączyć zasilanie.
2. Wyjmowane elementy oraz powierzchnie wewnętrzne należy dokładnie umyć ręcznie, opłukać i wysuszyć. Należy użyć czystej gąbki lub miękkiej ściereczki i roztworu delikatnego detergentu w ciepłej wodzie.

**UWAGA:** Zabrania się używania ściernych i agresywnych preparatów czyszczących, jak np. aerozole do mycia okien, czyszcików do szorowania, palnych płynów, wosków do czyszczenia, stężonych detergentów, wybielaczy oraz preparatów czyszczących zawierających produkty ropopochodne do czyszczenia elementów plastikowych, wnętrza oraz okładzin drzwi i uszczelek.

3. Włożyć wtyczkę chłodziarki do gniazda lub włączyć z powrotem zasilanie.

---

## Czyszczenie skraplacza

---

Chłodziarka posiada skraplacz płaszczowy na obydwu bokach. Boki mogą być ciepłe w dotyku. Jest to normalne.

---

## Oświetlenie

---

Oświetlenie wewnątrz komory chłodziarki i komory zamrażarki wykonano w technologii LED i nie wymaga ono wymiany. Jeżeli oświetlenie nie włącza się po otwarciu drzwi, należy skontaktować się z dostawcą, u którego zakupiono chłodziarkę.

---

## Urlopy i przeprowadzki

---

---

### Urlop

---

**W przypadku pozostawienia włączonej chłodziarki pod nieobecność domowników:**

1. Zużyć nietrwale produkty i zamrozić pozostałe.
2. Jeżeli chłodziarka jest wyposażona w automatyczną kostkarkę do lodu i jest podłączona do domowej sieci wodociągowej, należy zamknąć dopływ wody do chłodziarki. Niezamknięcie dopływu wody może spowodować szkody materialne.
3. Jeżeli automatyczna kostkarka do lodu występuje, należy ją wyłączyć.
  - Nacisnąć przełącznik drzwiowej kostkarki do lodu, ustawiając go w pozycji wyłączonej (O).
4. Opróżnić pojemnik na lód.

**W przypadku decyzji o wyłączeniu urządzenia przed wyjazdem, należy:**

**UWAGA:** Na czas urlopu chłodziarkę należy przestawić w tryb demonstracyjny. Patrz rozdział pt. „Używanie elementów sterujących”.

1. Wyjąć całą żywność z chłodziarki.
2. Jeżeli chłodziarka jest wyposażona w automatyczną kostkarkę do lodu:
  - Wyłączyć zasilanie wodą kostkarki do lodu co najmniej 1 dzień wcześniej.
  - Po wypadnięciu ostatniej porcji lodu, nacisnąć przełącznik i ustawić go w położeniu wyłączonym (O), co spowoduje zgaśnięcie wyświetlacza u góry, wewnątrz chłodziarki, zależnie od modelu.
3. Opróżnić pojemnik na lód.
4. Wyłączyć elementy sterowania temperaturą. Patrz rozdział pt. „Używanie elementów sterujących”.
5. Oczyszczyć chłodziarkę, wytrzeć ją i dobrze osuszyć.
6. Przykleić taśmą klocki gumowe lub drewniane w górnej części obydwu drzwi, aby podeprzeć je w pozycji otwartej na tyle, by umożliwić dostawanie się powietrza do wnętrza. Zapobiega to wzrostowi pleśni i gromadzeniu się zapachów.

---

## Przeprowadzka

---

W przypadku przenoszenia chłodziarki do nowego domu, należy wykonać poniższe czynności, aby przygotować ją do transportu.

1. Jeżeli chłodziarka jest wyposażona w automatyczną kostkarkę do lodu:
  - Wyłączyć zasilanie wodą kostkarki do lodu co najmniej 1 dzień wcześniej.
  - Odłączyć przewód wodny z tyłu chłodziarki.
  - Po wypadnięciu ostatniej porcji lodu, nacisnąć przełącznik i ustawić go w położeniu wyłączonym (O), na kostkarkę do lodu lub panelu sterującym, zależnie od modelu.
2. Wyjąć całą żywność z chłodziarki i obłożyć całą zamrożoną żywność suchym lodem.
3. Opróżnić pojemnik na lód.
4. Wyjąć wtyczkę chłodziarki z gniazda.
5. Oczyszczyć, wytrzeć i dokładnie osuszyć.
6. Wyjąć wszystkie demontowane elementy, dobrze je owinąć i skleić taśmą ze sobą, aby unieruchomić je na czas transportu.
7. W zależności od modelu, podnieść przód lodówki, aby ułatwić jej toczenie, lub podnieść wkręty poziomujące, aby nie rysowały podłogi. Zapoznać się z rozdziałami pt. „Regulacja drzwi” lub „Poziomowanie chłodziarki i zamykanie drzwi”.
8. Zakleić taśmą drzwi w pozycji zamkniętej i przymocować taśmą kabel zasilający z tyłu chłodziarki.

Po przybyciu do nowego domu, włożyć wszystkie elementy na miejsce i zapoznać się z instrukcjami przygotowania podanymi w rozdziale pt. „Instrukcje instalacji”. Ponadto, jeżeli chłodziarka jest wyposażona w automatyczną kostkarkę do lodu, należy pamiętać o ponownym podłączeniu zasilania wodnego do chłodziarki.

# ROZWIĄZYWANIE PROBLEMÓW

W pierwszej kolejności należy wypróbować sugerowane tutaj rozwiązania, aby uniknąć konieczności wzywania serwisu.

## ⚠ OSTRZEŻENIE



**Zagrożenie porażeniem prądem elektrycznym**  
**Wtyczkę należy podłączać do gniazda z uziemieniem.**  
**Zabrania się usuwania usuwać bolca uziemiającego.**  
**Zabrania się używania adapterów.**  
**Zabrania się używania kabli przedłużających.**  
**Nie przestrzeganie tych instrukcji może spowodować śmierć, pożar lub porażenie prądem elektrycznym.**

Działanie chłodziarki		
Chłodziarka nie działa.	Sprawdzić zasilanie elektryczne.	Podłączyć wtyczkę kabla zasilającego do uziemionego gniazda.
		Zabrania się używania kabla przedłużającego.
		Upewnić się, czy w gnieździe występuje zasilanie. Podłączyć wtyczkę lampki, aby sprawdzić, czy gniazdo działa.
		Zresetować wyłącznik automatyczny. Wymienić przepalony bezpieczniki. <b>UWAGA:</b> Jeżeli problemy nie przemijają, należy skontaktować się z elektrykiem.
	Sprawdzić elementy sterujące.	Upewnić się, czy elementy sterujące są włączone. Patrz rozdział pt. „Używanie elementów sterujących”.
	Nowa instalacja	Po zainstalowaniu chłodziarki należy odczekać 24 godziny na jej całkowite schłodzenie. <b>UWAGA:</b> Ustawienie nastaw na najniższą możliwą temperaturę nie spowoduje szybszego schłodzenia żadnej z komór.
	Sterowanie chłodziarką znajduje się w trybie demonstracyjnym (w niektórych modelach).	Jeżeli chłodziarka znajduje się w trybie demonstracyjnym, chłodzenie jest wyłączone, a na panelu sterowania wyświetlane jest „Demo”. Więcej informacji zawiera rozdział pt. „Używanie elementów sterujących”.
Wydaje się, że silnik pracuje zbyt długo.	Sprężarka i wentylatory o wysokiej sprawności	Większe chłodziarki o wyższej sprawności pracują dłużej, przy niższych, bardziej ekonomicznych energetycznie prędkościach.
	Temperatura w pomieszczeniu lub na zewnątrz jest bardzo wysoka.	Dłuższa praca chłodziarki jest w takich warunkach zjawiskiem normalnym. Aby zapewnić optymalne działanie chłodziarki, należy ją ustawić w pomieszczeniu o kontrolowanej temperaturze. Patrz rozdział pt. „Wymagania dotyczące lokalizacji”.
	Niedawno włożono dużą ilość ciepłej żywności.	Ciepła żywność powoduje, że chłodziarka pracuje dłużej, do czasu schłodzenia powietrza wewnątrz do żądanej temperatury.
	Drzwi są otwierane zbyt często lub na zbyt długo.	Ciepłe powietrze dostające się do wnętrza chłodziarki powoduje, że pracuje ona dłużej. Rzadziej otwierać drzwi.
	Otwarte drzwi chłodziarki lub szuflada zamrażarki.	Upewnić się, czy chłodziarka jest wypoziomowana. Patrz rozdział pt. „Poziomowanie chłodziarki i zamykanie drzwi”. Uważać, aby żywność ani pojemniki nie blokowały drzwi.
	Sterowanie chłodziarki ustawione na niższą temperaturę.	Ustawić sterowanie chłodziarki na wyższą temperaturę, aż do uzyskania żądanej temperatury w chłodziarce.
	Uszczelka drzwi lub szuflady jest zanieczyszczona, zużyta lub pęknięta.	Oczyszczyć lub wymienić uszczelkę. Nieszczelności na uszczelce drzwi powodują, że chłodziarka pracuje dłużej, aby utrzymać żądane temperatury.

# ROZWIĄZYWANIE PROBLEMÓW

W pierwszej kolejności należy wypróbować sugerowane tutaj rozwiązania, aby uniknąć konieczności wzywania serwisu.

Występująca sytuacja	Możliwe przyczyny	Rozwiązanie
Oświetlenie nie działa.	Chłodziarka wyposażona jest w oświetlenie LED, które nie wymaga wymiany.	Jeżeli chłodziarka otrzymuje zasilanie, a oświetlenie nie świeci, gdy drzwi lub szuflada są otwarte, należy skontaktować się z serwisem lub działem wsparcia technicznego.
	Drzwi były otwarte dłużej niż przez 10 minut.	Zamknąć drzwi i szufladę, aby zresetować układ i otworzyć, aby ponownie włączyć oświetlenie.
	Łącznik drzwiowy nie wykrywa otwarcia drzwi.	Nie należy zbliżać magnesów ani urządzeń elektronicznych na odległość mniejszą niż 7,62 cm (3 cale) od pokrywy zawiasu.
Interfejs użytkownika do sterowania temperaturą nie włącza się.	Interfejs użytkownika do sterowania temperaturą przeszedł w tryb uśpienia.	Nacisnąć dowolny przycisk na interfejsie użytkownika, aby uaktywnić sterowanie temperaturą.
	Przyciski interfejsu użytkownika do sterowania temperaturą nie działają dobrze.	Spróbować wyłączyć i włączyć z powrotem chłodziarkę, aby zresetować przyciski. Jeśli problem nadal występuje, skontaktować się z serwisem w celu uzyskania pomocy.
	Interfejs użytkownika do sterowania temperaturą nie otrzymuje zasilania.	Sprawdzić wiązkę przewodów w zawiasie drzwi.
Nie można ustawić temperatury na interfejsie użytkownika.	Drzwi są otwarte i uaktywnił się alarm uchylonych drzwi.	Zamknąć drzwi.
<b>Nietypowy hałas</b>		
Aby posłuchać typowych dźwięków wydawanych przez chłodziarkę, należy przejść do części „Pomoc dla produktu/Często zadawane pytania” na witrynie internetowej danej marki i wyszukać „typowe dźwięki.” Poniżej wymieniono niektóre typowe dźwięki wraz z objaśnieniami.		
Chłodziarka wydaje się hałasować.	Sprężarka w nowej chłodziarce reguluje temperaturę w sposób bardziej efektywny, zużywając jednocześnie mniej energii i pracując cicho.	Ze względu na cichszą pracę, zauważalne mogą być różne dźwięki, które są jednak normalne.
Dźwięk sprężarki pracującej dłużej niż można oczekiwać.	Sprężarka i wentylatory o wysokiej sprawności.	Większe chłodziarki o wyższej sprawności pracują dłużej, przy niższych, bardziej ekonomicznych energetycznie prędkościach.
Pulsacje i warkot	Wentylatory i sprężarka dostosowują się do optymalnego działania w czasie normalnej pracy sprężarki.	Jest to zjawisko normalne.
Strzelanie	Kurczenie i rozszerzanie ścianek wewnętrznych, zwłaszcza podczas początkowego schładzania.	Jest to zjawisko normalne.
Syczenie i kapanie	Przepływ czynnika chłodniczego lub przepływ oleju w sprężarce.	Jest to zjawisko normalne.
Drgania	Chłodziarka może nie być ustawiona stabilnie.	Wyregulować wkręty poziomujące i obniżyć nóżki poziomujące tak, by mocno oparły się o podłogę. Patrz rozdział pt. „Poziomowanie chłodziarki i zamykanie drzwi”.
Grzechotanie i uderzenia	Poruszające się przewody wodne dotykają szafy chłodziarki lub przedmioty leżące na górze szafy chłodziarki.	Odsunąć przewód wodny od szafy chłodziarki lub przymocować przewód do szafy. Zapoznać się z rozdziałem „Podłączanie zasilania wodą” lub zdjąć przedmioty z góry chłodziarki.
Skwierczenie	Woda kapie na grzałkę w trakcie cyklu odszraniania.	Jest to zjawisko normalne.
Płynąca woda, bulgotanie	Może być słyszalne, gdy lód topi się w trakcie cyklu odszraniania i woda spływa do tacy ociekowej.	Jest to zjawisko normalne.

# ROZWIĄZYWANIE PROBLEMÓW


W pierwszej kolejności należy wypróbować sugerowane tutaj rozwiązania, aby uniknąć konieczności wzywania serwisu.

Występująca sytuacja	Możliwe przyczyny	Rozwiązanie
<b>Temperatura i wilgoć</b>		
Temperatura jest zbyt wysoka.	Chłodziarka została niedawno zainstalowana.	Po zainstalowaniu chłodziarki należy odczekać 24 godziny na jej całkowite schłodzenie.
	Elementy sterujące nie są ustawione odpowiednio do warunków otoczenia.	Ustawić o jeden poziom niższą temperaturę przy użyciu elementów sterujących. Sprawdzić temperaturę po upływie 24 godzin. Patrz rozdział pt. „Używanie elementów sterujących”.
	Drzwi są często otwierane lub nie są całkowicie zamknięte. Pozwala to na przedostawanie się ciepłego powietrza do wnętrza chłodziarki.	Zredukować do minimum otwieranie drzwi i zadbać o całkowite zamykanie drzwi.
	Niedawno włożono dużą porcję żywności.	Zaczekać kilka godzin, aż chłodziarka przywróci normalną temperaturę.
	Włączony jest tryb demonstracyjny.	Wyłączyć tryb demonstracyjny. Patrz rozdział pt. „Używanie elementów sterujących”.
	Włączony jest tryb urlopowy.	Wyłączyć tryb urlopowy. Patrz rozdział pt. „Używanie elementów sterujących”.
Temperatura w chłodziarce lub pojemniku na świeże produkty jest zbyt niska.	Otworki wentylacyjne chłodziarki są zablokowane.	Jeżeli nastąpi zablokowanie znajdującego się w środkowej, tylnej części komory chłodziarki otworu wentylacyjnego przez przedmioty umieszczone bezpośrednio przed nim, nastąpi nadmierny spadek temperatury w chłodziarce. Odsunąć przedmioty od otworu wentylacyjnego.
	Elementy sterujące nie są ustawione odpowiednio do warunków otoczenia.	Ustawić o jeden poziom wyższą temperaturę przy użyciu elementów sterujących. Sprawdzić temperaturę po upływie 24 godzin. Patrz rozdział pt. „Używanie elementów sterujących”.
	Pojemnik magazynowy lodu nie znajduje się na właściwym miejscu.	Patrz rozdział pt. „Kostkarka do lodu i pojemnik magazynowy lodu”.
Temperatura w szufladzie o kontrolowanej temperaturze jest zbyt niska.	Elementy sterujące nie są ustawione odpowiednio do produktów przechowywanych w szufladzie.	Wyregulować nastawę temperatury. Patrz temat. „Używanie elementów sterujących” w rozdziale pt. „Użytkowanie chłodziarki”.
Wewnątrz gromadzi się wilgoć. <b>UWAGA:</b> Gromadzenie się pewnej ilości wilgoci jest normalne.	W pomieszczeniu panuje wysoka wilgotność.	Wysoka wilgotność w środowisku przyczynia się do gromadzenia wilgoci.
	Drzwi są często otwierane lub nie są całkowicie zamknięte. Pozwala to na przedostawanie się wilgotnego powietrza do wnętrza chłodziarki.	Zredukować do minimum otwieranie drzwi i zamykać drzwi całkowicie.
	Drzwi są zablokowane w pozycji otwartej.	Odsunąć opakowania z żywnością od drzwi.
	Przeszkadza półka lub pojemnik.	Ustawić pojemnik lub półkę z powrotem na właściwym miejscu.
	Przechowywanie płynów w otwartych pojemnikach.	Powoduje to uwalnianie dodatkowej wilgoci do wnętrza chłodziarki. Wszystkie pojemniki należy przechowywać szczelnie przykryte.
W komorze zamrażarki gromadzi się szron lub lód.	Drzwi są często otwierane lub pozostawiono je otwarte.	Zredukować do minimum otwieranie drzwi i całkowicie zamykać szufladę po użyciu.
	Uszczelka drzwi nie działa dobrze.	Upewnić się, czy uszczelki drzwi stykają się na całej długości z szafą chłodziarki, zapewniając odpowiednie uszczelnienie.
	Elementy sterowania temperaturą nie są ustawione prawidłowo.	Zalecane ustawienia temperatury podano w rozdziale pt. „Używanie elementów sterujących”.

# ROZWIĄZYWANIE PROBLEMÓW

W pierwszej kolejności należy wypróbować sugerowane tutaj rozwiązania, aby uniknąć konieczności wzywania serwisu.

**⚠ OSTRZEŻENIE**



**Zagrożenie wybuchem**  
**Stosować niepalne preparaty czyszczące.**  
**Niezastosowanie się do tego może doprowadzić do śmierci, wybuchu lub pożaru.**

Aby wyświetlić animację ukazującą sposób wyrównywania drzwi, należy przejść do części „Pomoc dla produktu/Często zadawane pytania” na witrynie internetowej danej marki i wyszukać „Zamykanie drzwi i wyrównywanie drzwi.”

Występująca sytuacja	Możliwe przyczyny	Rozwiązanie
<b>Drzwi</b>		
Drzwi nie zamykają się całkowicie.	Drzwi są zablokowane w pozycji otwartej.	Odsunąć opakowania z żywnością od drzwi.
	Przeszkadza półka lub pojemnik.	Ustawić pojemnik lub półkę z powrotem na właściwym miejscu.
	Niedawno przeprowadzona instalacja	Usunąć wszelkie materiały użyte do pakowania.
Drzwi otwierają się z trudnością.	Uszczelki drzwi są zanieczyszczone lub przyklejają się.	Oczyścić uszczelki i powierzchnie wchodzące z nimi w kontakt przy użyciu roztworu delikatnego mydła i ciepłej wody. Opłukać i osuszyć miękką ściereczką.
Drzwi wyglądają na nierówne.	Konieczne jest wyrównanie drzwi lub wypoziomowanie chłodziarki.	Jeżeli konieczne jest wyrównanie drzwi, należy wezwać serwis.
Chłodziarka stoi niestabilnie lub toczy się do przodu podczas otwierania i zamykania drzwi.	Nóżki blokujące chłodziarki nie są dociśnięte do podłogi.	Należy obrócić obydwie nóżki blokujące (po jednej z każdej strony) przeciwnie do ruchu wskazówek zegara o taki sam kąt, aż do momentu ich dociśnięcia do podłogi. Patrz rozdział pt. „Poziomowanie chłodziarki i zamykanie drzwi”.

# Cuprins

<b>SIGURANȚA FRIGIDERULUI</b> .....	<b>128</b>
Eliminarea corespunzătoare a frigiderului vechi .....	131
<b>COMPONENTE ȘI CARACTERISTICI</b> .....	<b>132</b>
<b>INSTRUCȚIUNI DE INSTALARE</b> .....	<b>133</b>
Noțiuni de bază.....	133
Despachetarea frigiderului.....	133
Cerințe privind locația .....	134
Cerințe electrice .....	134
Scoaterea și punerea la loc a ușilor de frigider .....	136
Scoaterea și punerea la loc a ușii congelatorului/copartimentului de congelare flexibilă.....	138
Așezarea uniformă a frigiderului .....	139
Utilizarea comenzilor .....	140
Iluminarea frigiderului .....	141
<b>UTILIZAREA FRIGIDERULUI</b> .....	<b>142</b>
Deschiderea și închiderea ușilor .....	142
Păstrarea alimentelor .....	142
<b>RAFTURI, CUTII ȘI SERTARE</b> .....	<b>143</b>
Compartimentele de depozitare ale congelatorului .....	144
Referință audio .....	144
Accesorii.....	144
Asistență sau service .....	144
<b>ÎNGRIJIREA FRIGIDERULUI</b> .....	<b>145</b>
Curățarea.....	145
Luminile .....	146
Îngrijirea pe perioada vacanțelor și mutărilor .....	146
<b>DEPANAREA</b> .....	<b>147</b>

# SIGURANȚA FRIGIDERULUI

## Siguranța dvs. și a celorlalți este foarte importantă.

Am furnizat multe mesaje de siguranță importante în acest manual și pe aparatul dvs. Citiți și respectați întotdeauna toate mesajele de siguranță.



Acesta este simbolul de alertă privind siguranța.

Acest simbol vă avertizează asupra potențialelor pericole care pot cauza decesul sau rănirea dvs. sau a altora.

Toate mesajele de siguranță vor urma după simbolul de alertă de siguranță și cuvântul „PERICOL” sau „AVERTISMENT.”

Aceste cuvinte înseamnă:

 **PERICOL**

Puteți să muriți sau să vă răniți grav dacă nu urmați imediat instrucțiunile.

 **AVERTISMENT**

Puteți să muriți sau să vă răniți grav dacă nu urmați instrucțiunile.

Toate mesajele de siguranță vă vor spune care este pericolul potențial, cum să reduceți șansele de rănire și ce se poate întâmpla dacă instrucțiunile nu sunt respectate.



## INSTRUCȚIUNI DE SIGURANȚĂ

Înainte de a utiliza aparatul, citiți aceste instrucțiuni de siguranță. Păstrați-le la îndemână pentru consultarea ulterioară. Aceste instrucțiuni și aparatul oferă avertizări importante legate de siguranță, care trebuie respectate întotdeauna. Producătorul nu își asumă răspunderea pentru nerespectarea acestor instrucțiuni de siguranță, pentru utilizarea necorespunzătoare a aparatului sau pentru setarea incorectă a comenzilor.

⚠ Copiii foarte mici (0-3 ani) trebuie ținuți la distanță de aparat. Copiii mici (3-8 ani) trebuie ținuți la distanță de aparat, cu excepția cazului în care sunt supravegheați continuu. Copiii cu vârsta de 8 ani și peste și persoanele cu capacități fizice, senzoriale sau mentale reduse sau cu lipsă de experiență și cunoștințe pot utiliza acest aparat numai dacă sunt supravegheate sau au primit instrucțiuni privind utilizarea în siguranță și înțeleg pericolele posibile. Copiii nu au voie să se joace cu aparatul. Curățarea și întreținerea nu trebuie efectuate de copii nesupravegheați.

### UTILIZAREA PERMISĂ

⚠ ATENȚIE: Aparatul nu trebuie să fie pus în funcțiune cu ajutorul unui dispozitiv de comutare extern, cum ar fi un cronometru sau sistem separat controlat cu telecomandă.

⚠ Acest aparat este destinat a fi utilizat în aplicații casnice și similare de genul: zone pentru personalul de bucătărie din spații comerciale, birouri și alte medii de lucru; ferme; hoteluri, moteluri, pensiuni și alte medii rezidențiale.

⚠ Acest aparat nu este destinat uzului profesional. Nu utilizați aparatul în aer liber.

⚠ Acest aparat este proiectat pentru a funcționa în locuri unde temperatura ambiantă se încadrează în următoarele limite, în funcție de clasa climatică indicată pe plăcuța cu caracteristici tehnice. Este posibil ca aparatul să nu funcționeze corect dacă este lăsat timp îndelungat la o temperatură în afara domeniului specificat.

T. amb. (°C) a clasei climatice T. amb. (°C)

SN: De la 10 la 32 °C; N: De la 16 la 32 °C

ST: De la 16 la 38 °C; T: De la 16 la 43 °C

⚠ Acest aparat nu conține cloroflorocarburi. Circuitul de răcire conține R600a (HC). Aparatele cu izobutan (R600a): izobutanul este un gaz natural fără efecte asupra mediului înconjurător, dar este inflamabil. Prin urmare, verificați conductele circuitului de răcire să nu fie deteriorate, în special la golirea circuitului de răcire.

⚠ AVERTISMENT: Nu deteriorați conductele circuitului de răcire al aparatului.

⚠ AVERTISMENT: Mențineți orificiile de ventilare, din interiorul aparatului sau din structura încorporată, fără obstacole.

## IMPORTANT DE CITIT ȘI RESPECTAT

⚠ AVERTISMENT: Nu folosiți alte mijloace mecanice, electrice sau chimice decât cele recomandate de producător pentru a accelera procesul de dezghețare.

⚠ AVERTISMENT: Nu utilizați și nu introduceți dispozitive electrice în compartimentele aparatului dacă acestea nu sunt de tipul autorizat în mod expres de către producător.

⚠ AVERTISMENT: Dispozitivele pentru producerea gheții și/sau distribuitorii de apă care nu sunt conectate direct la rețeaua de alimentare cu apă trebuie să fie umplute doar cu apă potabilă.

⚠ AVERTISMENT: Dispozitivele automate pentru producerea gheții și/sau distribuitorii de apă trebuie să fie conectate la o rețea de alimentare cu apă ce furnizează în exclusivitate apă potabilă, cu o presiune a apei din rețea cuprinsă între 0,17 și 0,81 Mpa (1,7 și 8,1 bar).

⚠ Nu depozitați în acest aparat substanțe explozive, cum ar fi cutii de aerosoli, cu un agent de propulsie inflamabil.

⚠ Nu înghițiți conținutul (netoxic) al pachetelor de gheață (furnizate la unele modele). Nu mâncați cuburi de gheață sau înghețată pe băț imediat după scoaterea lor din congelator deoarece acestea ar putea provoca arsuri reci.

⚠ La produsele proiectate să utilizeze un filtru de aer în interiorul unui capac ventilator accesibil, filtrul trebuie să fie întotdeauna instalat în poziție atunci când frigiderul funcționează.

⚠ Nu păstrați recipiente de sticlă cu lichide în congelator, deoarece se pot sparge. Nu blocați ventilul (dacă există) cu alimente. După introducerea alimentelor, verificați dacă ușa compartimentelor se închid bine, în special ușa congelatorului.

⚠ Garniturile deteriorate trebuie înlocuite cât mai repede posibil.

⚠ Folosiți compartimentul frigider doar pentru conservarea alimentelor proaspete, iar compartimentul congelator doar pentru conservarea alimentelor înghețate, congelarea alimentelor proaspete și producerea cuburilor de gheață.

⚠ Evitați păstrarea de alimente neambalate în contact direct cu suprafețele interne ale compartimentelor frigiderului sau congelatorului. Aparatele pot avea compartimente speciale (compartimentul pentru alimente proaspete, cutia cu zero grade etc.). Cu excepția cazului în care se specifică în broșura specifică a produsului, acestea pot fi scoase, menținând performanțe echivalente.

### INSTALAREA

⚠ Aparatul trebuie deplasat și instalat de două sau mai multe persoane - risc de rănire. Utilizați mănuși de protecție pentru a despacheta și instala - risc de tăieturi.

⚠ Instalarea, inclusiv alimentarea cu apă (dacă există), conexiunile electrice și reparațiile trebuie efectuate de un tehnician calificat. Nu reparați și nu înlocuiți nicio piesă a aparatului, dacă acest lucru nu este indicat în mod expres în manualul de utilizare. Țineți copiii la distanță de locul de instalare.

După despachetarea aparatului, asigurați-vă că acesta nu a fost deteriorat în timpul transportului. În caz de probleme, contactați distribuitorul sau Serviciul de Asistență Tehnică cel mai apropiat. Odată instalate, deșeurile de ambalaje (plastic, bucăți de polistiren etc.) nu trebuie lăsate la îndemâna copiilor - risc de sufocare. Aparatul trebuie să fie deconectat de la rețeaua electrică înainte de a efectua orice operație de instalare - risc de electrocutare. În timpul instalării, aveți grijă ca aparatul să nu deterioreze cablul de alimentare - risc de incendiu sau electrocutare. Activați aparatul numai după terminarea instalării.

⚠ În timpul deplasării aparatului, aveți grijă să nu deteriorați podeaua (de ex. parchetul). Instalați aparatul pe o podea sau pe un suport care să poată susține greutatea sa și într-o încăpere adecvată pentru dimensiunile și utilizarea sa. Asigurați-vă că aparatul nu este aproape de o sursă de căldură și că cele patru picioare sunt stabile și se sprijină pe podea, ajustându-le după cum este necesar și verificați cu o nivelă cu bulă de aer dacă aparatul este așezat perfect uniform. Așteptați cel puțin două ore înainte de a pune în funcțiune aparatul, pentru a lăsa timp circuitului de răcire să devină perfect eficient.

⚠ Pentru a garanta o ventilație adecvată, lăsați un spațiu pe ambele laturi și deasupra aparatului. Distanța între partea din spate a aparatului și peretele din spatele aparatului trebuie să fie de 50 mm, pentru a evita accesul la suprafețele fierbinți. O reducere a acestui spațiu va mări consumul de energie al aparatului.

⚠ **AVERTISMENT:** Pentru a evita orice fel de pericol datorită instabilității, poziționarea sau fixarea aparatului trebuie efectuată în conformitate cu instrucțiunile producătorului. Este interzisă amplasarea frigiderului în așa fel încât furtunul metalic al aragazului, țevile metalice de gaz, conductele de apă sau firele electrice să intre în contact cu peretele din spatele frigiderului (bobina condensatorului).

⚠ Dacă este necesar să înlocuiți ușile, contactați Centrul de asistență tehnică.

### **AVERTISMENTE ELECTRICE**

⚠ Trebuie să fie posibil să deconectați aparatul de la sursa de alimentare prin scoaterea acestuia din priză dacă este accesibilă fișa sau printr-un comutator multipolar instalat în amonte de priză în conformitate cu normele de cablare, iar aparatul trebuie legat la pământ în conformitate cu normele naționale de siguranță electrică.

⚠ Nu utilizați prelungitoare, prize multiple sau adaptoare. După terminarea instalării, componentele electrice nu trebuie să mai fie accesibile pentru utilizator. Nu utilizați aparatul când sunteți uzi sau desculți. Nu utilizați acest aparat dacă are un cablu de alimentare sau o fișă deteriorată, dacă nu funcționează corect sau în caz de defectare sau cădere.

⚠ În cazul în care cablul de alimentare este deteriorat, acesta trebuie înlocuit cu unul identic de către producător, de reprezentantul său de service sau de persoane calificate în mod similar, pentru a evita pericolele - risc de electrocutare.

⚠ **AVERTISMENT:** Atunci când poziționați aparatul, asigurați-vă că nu este blocat sau deteriorat cablul de alimentare.

⚠ **AVERTISMENT:** Nu amplasați mai multe prize portabile sau surse de alimentare portabile în partea din spate a aparatului.

### **CURĂȚAREA ȘI ÎNTREȚINEREA**

⚠ **AVERTISMENT:** Asigurați-vă că aparatul este oprit și deconectat de la sursa de alimentare înainte de a efectua orice operațiune de întreținere; nu folosiți niciodată echipament de curățare cu aburi - pericol de electrocutare.

⚠ Pentru curățarea componentelor din plastic, interiorului și căptușelilor de ușă sau garniturilor, nu utilizați substanțe de curățare abrazive sau aspre, cum ar fi spray-uri de geamuri, detergenți de curățat, lichide inflamabile, ceruri de curățare, detergenți concentrați, înălbitori sau detergenți care conțin produse petroliere. Nu utilizați prosoape de hârtie, bureți de sârmă sau alte unelte de curățare dure.


### **ARUNCĂREA MATERIALELOR DE AMBALARE**

Materialul de ambalare este reciclabil 100% și este marcat cu simbolul reciclării ♻.

Diferitele componente ale ambalajului trebuie eliminate în mod responsabil, respectând reglementările autorităților locale privind eliminarea deșeurilor.

### **ARUNCAREA LA GUNOI A APARATELOR ELECTROCASNICE**

Acest aparat este fabricat cu materiale reciclabile sau reutilizabile. Aruncați-l în conformitate cu normele locale referitoare la eliminarea deșeurilor. Pentru informații ulterioare referitoare la eliminarea, valorificarea și reciclarea aparatelor electrocasnice, contactați autoritățile locale, serviciul de eliminare a deșeurilor menajere sau magazinul de unde ați cumpărat aparatul. Acest aparat este marcat în conformitate cu Directiva Europeană 2012/19/UE privind deșeurile echipamentelor electrice și electronice (WEEE - Waste Electrical and Electronic Equipment). Asigurându-vă că acest produs este eliminat în mod corect, contribuiți la prevenirea potențialelor consecințe negative asupra mediului înconjurător și sănătății persoanelor.

Simbolul  de pe produs sau de pe documentele care îl însoțesc indică faptul că acesta nu poate fi aruncat împreună cu deșeurile menajere, ci trebuie predat la punctul de colectare corespunzător, pentru reciclarea aparatelor electrice și electronice.

## RECOMANDĂRI PENTRU ECONOMISIREA ENERGIEI

Instalați aparatul într-o încăpere uscată, bine aerisită, la distanță de orice fel de sursă de căldură (de exemplu radiator, aragaz etc.) și într-un loc care nu este expus direct la razele soarelui. Dacă este nevoie, utilizați o placă izolatoare.

Pentru a asigura o ventilație adecvată, respectați instrucțiunile de instalare. Ventilarea insuficientă în partea din spate a aparatului mărește consumul de energie și reduce eficiența la răcire.

Deschiderea frecventă a ușilor poate determina o creștere a consumului de energie. Temperatura din interiorul aparatului și consumul de energie pot fi afectate de temperatura ambiantă, precum și de amplasarea aparatului. Setarea de temperatură trebuie să țină cont de acești factori. Reduceți deschiderea la minim a ușilor.

Atunci când dezghețați alimente congelate, puneți-le în frigider. Temperatura redusă a produselor congelate răcește alimentele din frigider. Lăsați alimentele și băuturile calde să se răcească înainte de a le pune în aparat.

Poziționarea rafturilor în frigider nu are impact asupra utilizării eficiente a energiei. Alimentele trebuie așezate pe rafturi astfel încât să se asigure circulația corespunzătoare a aerului (alimentele nu trebuie să se atingă unele de altele și trebuie menținută distanța dintre alimente și pereții din spate).

Puteți mări capacitatea de depozitare a alimentelor congelate prin scoaterea coșurilor și, dacă există, raftului cu oprirea înghețării.

Nu vă faceți griji cu privire la zgomotele provenite de la compresor, care sunt descrise ca zgomote normale în Ghidul de utilizare rapidă al acestui produs.



## Eliminarea corespunzătoare a frigiderului vechi

### **! AVERTISMENT**

#### Pericol de sufocare

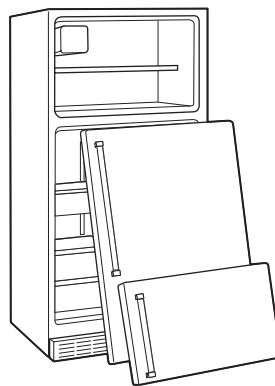
**Scoateți ușile de la frigiderul vechi.**

**Nerespectarea poate duce la deces sau leziuni ale creierului.**

**IMPORTANT:** Trebuie să se evite blocarea și sufocarea copiilor. Frigiderele aruncate sau abandonate sunt încă periculoase, chiar dacă acestea vor sta „numai câteva zile.” Dacă aruncați frigiderul vechi, vă rugăm să urmați aceste instrucțiuni pentru a evita accidentele.

#### Înainte de a arunca frigiderul sau congelatorul vechi:

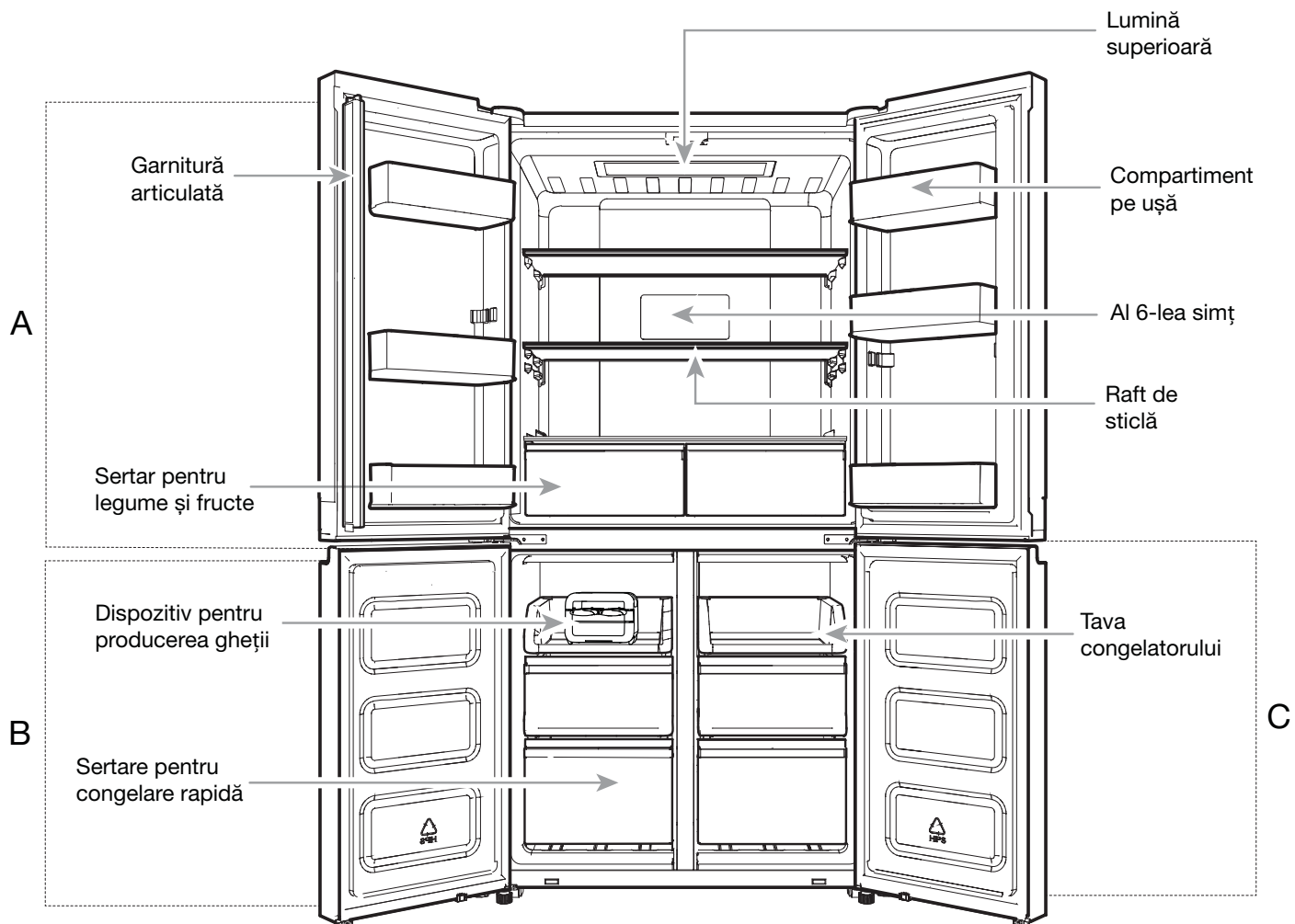
- Scoateți ușile.
- Lăsați rafturile în poziție astfel încât copiii să nu se poată urca ușor înăuntru.



#### Informații importante pe care trebuie să le cunoașteți despre eliminarea agenților refrigeranți:

Eliminați frigiderul în conformitate cu reglementările naționale și locale. Agenții refrigeranți trebuie evacuați de un tehnician de refrigerare autorizat, în conformitate cu proceduri stabilite.

# COMPONENTE ȘI CARACTERISTICI



- A . Frigider
- B . Congelator
- C . Congelare flexibilă (numai la WQ9 B1L, 6WM591NIHAS și WQ70900SXX)

# INSTRUCȚIUNI DE INSTALARE

## Noțiuni de bază

### LISTA DE VERIFICARE LA INSTALARE

#### ✓ Energie electrică

## ⚠ AVERTISMENT



### Pericol de electrocutare

- Conectați la o priză împământată.
- Nu scoateți știftul de împământare.
- Nu utilizați un adaptor.
- Nu utilizați un cablu prelungitor.
- Nerespectarea acestor instrucțiuni poate duce la deces, incendiu sau electrocutare.

- Conectați frigiderul la o priză împământată.

#### ✓ Ușile

- Dacă ușile trebuie scoase pe durata instalării, consultați secțiunile „Scoaterea și punerea la loc a ușilor de frigider” și „Scoaterea și punerea la loc a părților frontale ale ușilor de congelator”.
- Ușile se închid etanș.
- Frigiderul este vertical. Reglați picioarele de nivelare, astfel încât acestea să fie fixate pe podea.
- Ușile sunt uniforme în partea de sus. (Utilizați funcția de aliniere a ușilor, dacă este necesar).

#### ✓ Verificări finale

- Îndepărtați toate materialele de ambalare.
- Setați comenzile de temperatură la valorile recomandate.
- Păstrați instrucțiunile și întreaga documentație.
- Pentru a primi o asistență mai completă, vă rugăm să înregistrați produsul la [www.whirlpool.eu/register](http://www.whirlpool.eu/register).

## Despachetarea frigiderului

## ⚠ AVERTISMENT

### Pericol datorită greutatei excesive

Este nevoie de două sau mai multe persoane pentru a deplasa și instala frigiderul.

Nerespectarea poate duce la leziuni ale spatelui sau de alt tip.

### Livrarea frigiderului

Este nevoie de o deschidere minimă a ușii de 838 mm. Dacă deschiderea ușii este de 914 mm sau mai puțin, atunci este necesară scoaterea ușilor, sertarului și balamalelor.

Introduceți frigiderul din lateral la toate deschiderile de ușă.

### Atunci când deplasați frigiderul:

Frigiderul dvs. este greu. Când deplasați frigiderul pentru curățare sau întreținere, aveți grijă să acoperiți podeaua cu carton sau PFL pentru a evita deteriorarea podelei. Trageți întotdeauna frigiderul drept atunci când îl deplasați. Nu răsuciți și nu „pășiți” cu frigiderul atunci când încercați să îl deplasați, pentru că se poate deteriora podeaua.

### Îndepărtarea ambalajelor

- Îndepărtați resturile de bandă și adeziv de pe suprafețe înainte de a porni frigiderul. Frecați cu degetele o cantitate mică de detergent lichid pe adeziv. Ștergeți cu apă caldă și uscați.
- Nu utilizați instrumente ascuțite, alcool pentru frecții, lichide inflamabile sau produse de curățare abrazive pentru a îndepărta banda sau adezivul. Aceste produse pot deteriora suprafața frigiderului.
- Eliminați/reciclați toate materialele de ambalare.

### Curățarea înainte de utilizare

După ce îndepărtați toate materialele de ambalare, curățați interiorul frigiderului înainte de utilizare. Consultați instrucțiunile de curățare din secțiunea „Îngrijirea frigiderului”.

### Informații importante de știut despre rafturi și capace de sticlă:

Nu spălați rafturile sau capacele de sticlă cu apă caldă atunci când acestea sunt reci. Rafturile și capacele se pot sparge dacă sunt expuse la modificări bruște de temperatură sau la impact, cum ar fi lovirea.

Sticla securizată este proiectată să se spargă în multe bucăți mici, de dimensiunea pietrișului. Acest lucru este normal. Rafturile și capacele din sticlă sunt grele. Utilizați ambele mâini atunci când le scoateți pentru a evita căderea.

## Cerințe privind locația

### ⚠️ AVERTISMENT



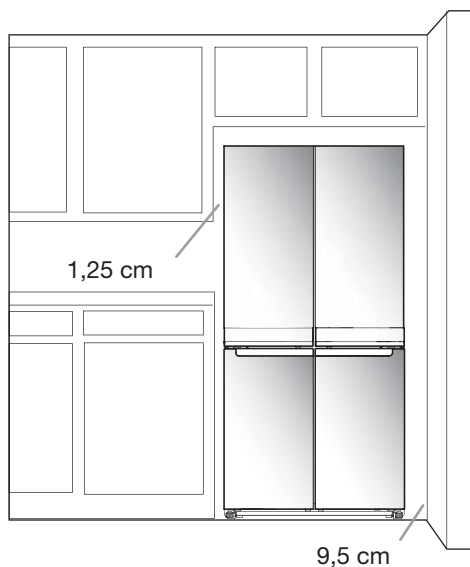
#### Pericol de explozie

Păstrați materialele și vaporii inflamabili, cum ar fi benzina, departe de frigider.

Nerespectarea poate duce la deces, explozie sau incendiu.

Pentru a asigura ventilarea corespunzătoare a frigiderului, lăsați un spațiu de 1,25 cm pe fiecare parte și în partea de sus. Lăsați o distanță de 5 cm în spatele frigiderului. Dacă frigiderul este prevăzut cu un dispozitiv de produs gheață, lăsați spațiu suplimentar în partea din spate pentru racordurile conductei de apă. Atunci când instalați aparatul lângă un perete fix, lăsați un spațiu minim de 9,5 cm între frigider și perete pentru a permite deschiderea ușii.

**NOTĂ:** Acest frigider este destinat utilizării într-o locație în care temperatura variază de la minimum 10°C până la maximum 43°C. Domeniul preferat pentru temperatura camerei pentru o performanță optimă, care reduce consumul de energie electrică și asigură o răcire superioară, este între 15°C și 32°C. Se recomandă să nu instalați frigiderul lângă o sursă de căldură, cum ar fi un cuptor sau un radiator.



## Cerințe electrice

### ⚠️ AVERTISMENT



#### Pericol de electrocutare

Conectați la o priză împământată.

Nu scoateți știftul de împământare.

Nu utilizați un adaptor.

Nu utilizați un cablu prelungitor.

Nerespectarea acestor instrucțiuni poate duce la deces, incendiu sau electrocutare.

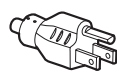
**IMPORTANT:** Instalarea și conectarea electrică trebuie efectuate de către un tehnician calificat în conformitate cu instrucțiunile producătorului și cu reglementările locale de siguranță.

- Frigiderul este proiectat să funcționeze într-un circuit separat de 220-240 V, 10 A, 50/60 Hz.
- Asigurați-vă că tensiunea indicată pe plăcuța cu caracteristici tehnice corespunde cu cea a locuinței dvs.
- Trebuie să fie posibilă deconectarea aparatului de la sursa de alimentare prin debransarea acestuia sau prin intermediul unui comutator principal cu doi poli, instalat în amonte de priză.
- În cazul în care cablul de alimentare este deteriorat, acesta trebuie înlocuit de către producător, de reprezentantul său de service sau de persoane calificate în mod similar, pentru a evita pericolele.

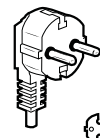
Înainte de a deplasa frigiderul în locația sa finală, este important să vă asigurați că aveți o conexiune electrică corespunzătoare:

#### Metoda de împământare recomandată

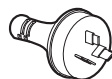
Este necesară numai o sursă de alimentare electrică împământată de 220-240 V 50 Hz, 220 V 60 Hz sau 230/240 V 50 Hz CA și cu siguranță fuzibilă de 10 A.



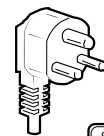
Tipul B



Tipul E și F



Tipul I



Tipul M



Tipul G

#### Pentru Australia și Noua Zeelandă:

Noul dvs. aparat a fost special fabricat astfel încât să îndeplinească toate condițiile și standardele australiene.

Unele notații din instrucțiunile de instalare pot face referire la cerințe electrice din alte țări, așa încât vă atragem atenția cu privire la aceste note specifice.

Aparatul dvs. trebuie conectat numai la o priză de 230/240 V, 50 Hz CA, 10 A cu împământare.

## Cerințe electrice (numai Marea Britanie și Irlanda)

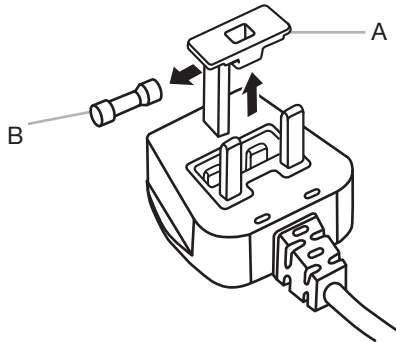
**IMPORTANT:** Frigiderul trebuie împământat.

### Înlocuirea siguranței fuzibile

În cazul în care cablul de alimentare de la rețea al acestui frigider este dotat cu o fișă cu siguranță fuzibilă încorporată BS1363A de 13 A, pentru a schimba siguranța la acest tip de fișă, folosiți o siguranță omologată de A.S.T.A., tip BS 1362, și procedați după cum urmează:

1. Scoateți capacul siguranței fuzibile (A) și siguranța fuzibilă (B).
2. Montați siguranța fuzibilă de 13 A în capacul siguranței.
3. Reintroduceți atât siguranța fuzibilă cât și capacul acesteia în fișă.

**IMPORTANT:** Capacul siguranței fuzibile trebuie pus la loc atunci când se schimbă o siguranță. În cazul pierderii capacului, fișa nu trebuie utilizată până când nu se montează un capac înlocuitor potrivit. Un înlocuitor potrivit poate fi identificat prin insertul colorat sau un „cuvânt” al culorii gravat la baza fișei. Capace de rezervă pentru siguranțe fuzibile sunt disponibile la magazinul dvs. local de articole electrice.



A. Capac siguranță fuzibilă  
B. Siguranță fuzibilă

### Pentru Republica Irlanda (numai):

Informațiile furnizate cu privire la Marea Britanie se vor aplica frecvent, dar se utilizează și un al treilea tip de fișă și priză, tipul cu 2 pini și împământare laterală.

### Prize de curent/Fișe (valabile pentru ambele țări):

Dacă fișa montată nu este potrivită pentru priza dvs., contactați Serviciul de Asistență Tehnică pentru informații suplimentare. Vă rugăm nu încercați să schimbați dvs. fișa. Această procedură trebuie efectuată de către un tehnician calificat în conformitate cu instrucțiunile producătorului și reglementările de siguranță standard curente.

## Temperatura

Acest frigider este proiectat pentru a funcționa în locuri unde temperatura se încadrează în următoarele limite, în funcție de clasa climatică indicată pe plăcuța cu caracteristici tehnice. Este posibil ca frigiderul să nu funcționeze corect dacă este lăsat timp îndelungat la o temperatură în afara domeniului specificat.

**NOTĂ:** Se recomandă să nu instalați frigiderul lângă o sursă de căldură, cum ar fi un cuptor sau un radiator.

Clasa climatică	T. amb. (°C)	T. amb. (°F)
SN	De la 10 la 32	De la 50 la 90
N	De la 16 la 32	De la 61 la 90
ST	De la 16 la 38	De la 61 la 100
T	De la 16 la 43	De la 61 la 110

## Scoaterea și punerea la loc a ușilor de frigider

**NOTĂ:** Măsurați lățimea deschiderii ușii pentru a vedea dacă trebuie sau nu să scoateți ușile frigiderului pentru a muta frigiderul în locuință. Dacă este necesară scoaterea ușilor, țineți cont de instrucțiunile următoare.

**IMPORTANT:** Dacă frigiderul a fost instalat anterior și îl scoateți din locuință, opriți comenzile frigiderului înainte de a începe să scoateți ușile. Scoateți frigiderul din priză sau deconectați alimentarea electrică. Scoateți alimentele și ușa reglabilă sau cutiile de ușă.

Pregătiți uneltele necesare și citiți toate instrucțiunile înainte de a scoate ușile.

**UNELTE NECESARE:** Cheie tubulară de 6 mm, cheie tubulară de 5 mm și șurubelniță cu capul în cruce nr.2.



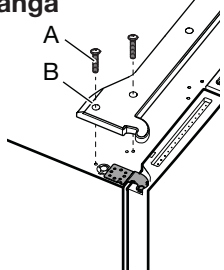
### ⚠ AVERTISMENT

Pericol de electrocutare

Deconectați alimentarea înainte de a scoate ușile.

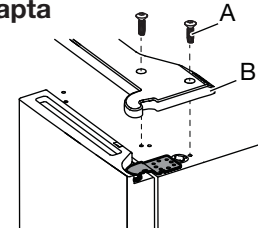
Nerespectarea poate duce la deces sau electrocutare.

#### Capac balama superioară stânga



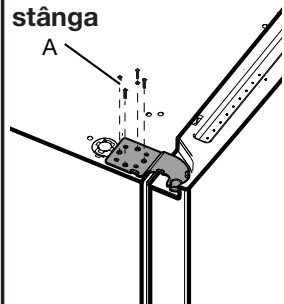
- A. Șuruburi capac balama superioară
- B. Capac balama superioară

#### Capac balama superioară dreapta



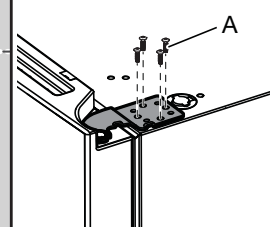
- A. Șuruburi capac balama superioară
- B. Capac balama superioară

#### Balama superioară stânga



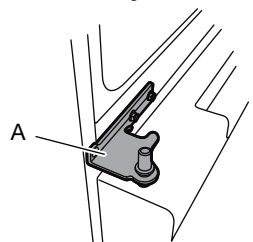
- A. Șuruburi cu locaș hexagonal de 5 mm

#### Balama superioară dreapta



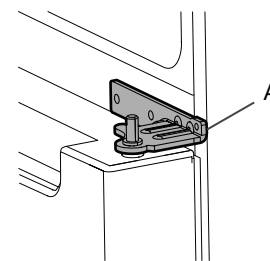
- A. Șuruburi cu locaș hexagonal de 5 mm

#### Balama mijlocie stânga



- A. Balama

#### Balama mijlocie dreapta



- A. Balama



## **⚠️ AVERTISMENT**

**Pericol datorită greutatei excesive**

Ușa frigiderului trebuie ridicată de două sau mai multe persoane.

Nerespectarea poate duce la leziuni ale spatelui sau de alt tip.

### Scoaterea ușilor frigiderului

## **⚠️ AVERTISMENT**



**Pericol de electrocutare**

Deconectați alimentarea înainte de a scoate ușile.

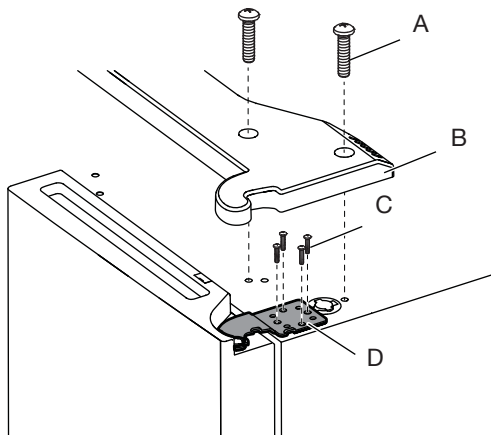
Nerespectarea poate duce la deces sau electrocutare.

### Scoaterea ușii din dreapta

1. Scoateți frigiderul din priză sau deconectați alimentarea electrică.
2. Păstrați ușile frigiderului închise până când sunteți gata să le ridicați de la cabinet.

**NOTĂ:** Asigurați sprijin suplimentar pentru ușa frigiderului în timp ce balamalele sunt înlăturate. Nu vă bazați pe magnetii garniturilor de ușă pentru a ține ușa în poziție în timp ce lucrați.

3. Folosind o șurubelniță cu capul în cruce, scoateți capacul de la balamaua superioară.
4. Folosind o cheie tubulară de 5 mm, scoateți patru șuruburi de la balamaua superioară și puneți-le deoparte.



A. Șurub capac balama superioară

B. Capac balama superioară

C. Șuruburi cu locaș hexagonal de 5 mm

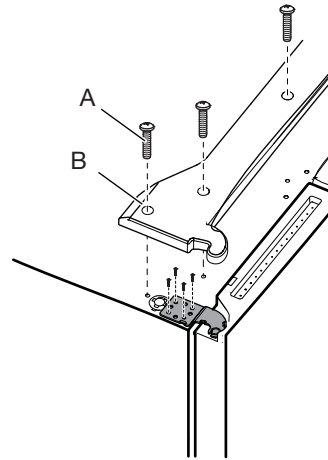
D. Balama superioară

5. Ridicați ușa frigiderului de pe știftul balamalei mijlocii. Balamaua superioară va ieși împreună cu ușa.

### Scoaterea ușii din stânga

**IMPORTANT:** Cablajul pentru interfața cu utilizatorul trece prin blamaua ușii din stânga, de aceea acesta trebuie deconectat înainte de scoaterea ușii.

1. Folosind o șurubelniță cu capul în cruce, scoateți capacul de la balamaua superioară.

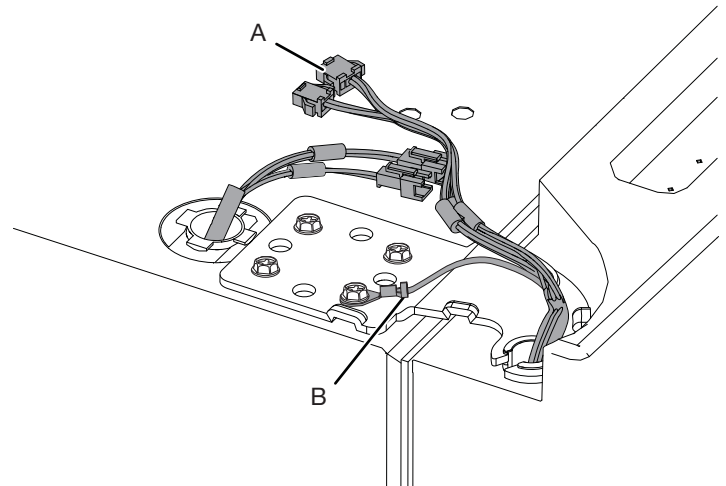


A. Șurub capac balama superioară

B. Capac balama superioară

2. Deconectați două fișe de conectare aflate în partea de sus a balamalei de ușă.

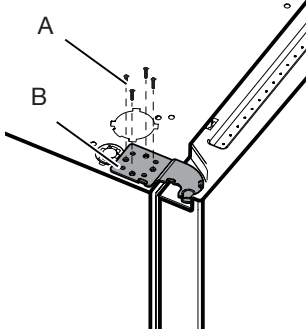
- Apucați fiecare parte a fișelor de conectare. Cu degetul mare stânga, apăsați pentru a elibera dispozitivul de prindere și trageți pentru a separa secțiunile fișelor.



A. Fișă de legătură

B. Conector de împământare

- Folosind o cheie tubulară de 5 mm, scoateți patru șuruburi interne de la balamaua superioară și puneți-le deoparte.



- A. Șuruburi cu locaș hexagonal de 5 mm  
B. Balama superioară

**NOTĂ:** Asigurați sprijin suplimentar pentru ușa frigiderului în timp ce balamalele sunt înlăturate. Nu vă bazați pe magnetii garniturilor de ușă pentru a ține ușa în poziție în timp ce lucrați.

- Ridicați ușa frigiderului de pe știftul balamalei inferioare. Balamaua superioară va ieși împreună cu ușa.

**NOTĂ:** Este posibil să nu fie necesară scoaterea balamalelor inferioare și ansamblurilor picioarelor de frână pentru a deplasa frigiderul printr-o ușă.

- Numai dacă este necesar, utilizați cheia tubulară de 6 mm și șurubelnița cu capul în cruce nr.2 pentru a scoate balama mijlocie.

#### Punerea la loc a ușii din dreapta frigiderului

- Așezați ușa din dreapta pe știftul balamalei mijlocii.
- Introduceți știftul balamalei superioare în gaura deschisă din partea superioară a ușii frigiderului.
- Folosind patru șuruburi cu locaș hexagonal de 5 mm, fixați balamaua de cabinet. Nu strângeți complet șuruburile.

#### Punerea la loc a ușii din stânga frigiderului

- Așezați ușa din stânga pe știftul balamalei mijlocii.
- Folosind patru șuruburi cu locaș hexagonal de 5 mm, fixați balamaua de cabinet. Nu strângeți complet șuruburile.
- Reconectați cablajul electric.
  - Împingeți împreună cele două secțiuni ale fișei de conectare.
  - Reconectați firul de împământare la șurubul balamalei.

#### Pașii finali

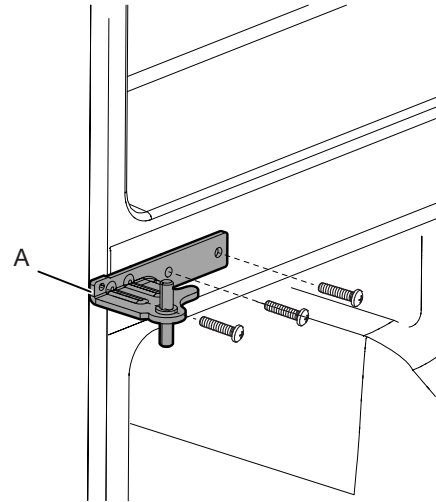
- Strângeți complet opt șuruburi cu locaș hexagonal de 5 mm.
- Puneți la loc capacele balamalei superioare.

## Scoaterea și punerea la loc a ușii congelatorului/copartimentului de congelare flexibilă

- Păstrați ușile congelatorului închise până când sunteți gata să le ridicați de la cabinet.

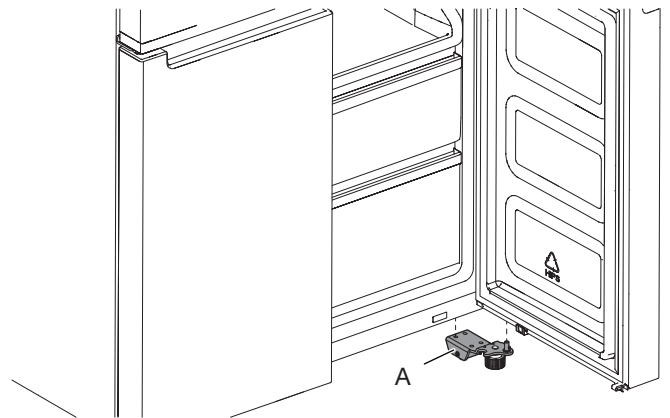
**NOTĂ:** Asigurați sprijin suplimentar pentru ușa congelatorului în timp ce balamalele sunt înlăturate. Nu vă bazați pe magnetii garniturilor de ușă pentru a ține ușa în poziție în timp ce lucrați.

- Utilizați o șurubelnița cu capul în cruce nr.2 și o cheie tubulară de 6 mm pentru a scoate balamaua mijlocie de la cabinet.



A. Balama mijlocie

- Ridicați ușa congelatorului de pe știftul balamalei inferioare.



A. Balama inferioară

## **⚠️ AVERTISMENT**



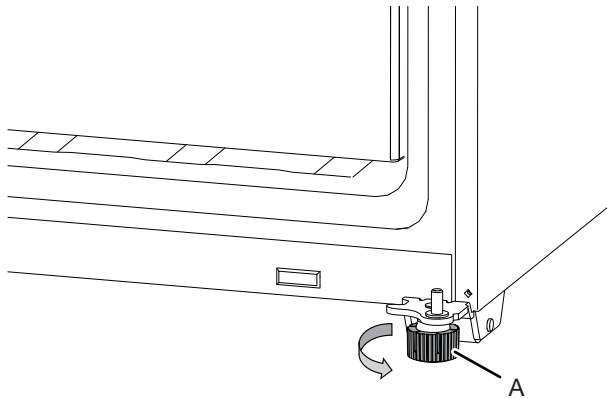
### **Pericol de electrocutare**

- Conectați la o priză împământată.**
- Nu scoateți știftul de împământare.**
- Nu utilizați un adaptor.**
- Nu utilizați un cablu prelungitor.**
- Nerespectarea acestor instrucțiuni poate duce la deces, incendiu sau electrocutare.**

1. Conectați la o priză împământată.
2. Puneți la loc toate componentele detașabile și alimentele în sertare.

## **Așezarea uniformă a frigiderului**

1. Deplasați frigiderul în locația sa finală.
2. Cu mâna, rotiți picioarele de frână. Rotiți-le în sens antiorar până când rolele nu mai ating podeaua și ambele picioare de frână sunt fixate pe podea. Acest lucru împiedică frigiderul să se rostogolească înainte atunci când se deschid ușile.



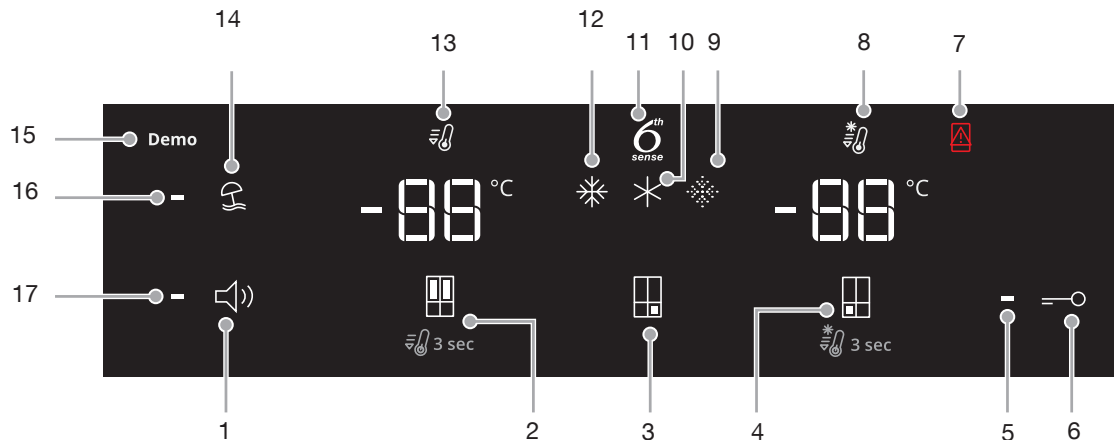
A. Picioare de frână

**IMPORTANT:** Dacă trebuie să efectuați alte reglaje care implică picioarele de frână, trebuie să rotiți ambele picioare de frână cu aceeași valoare pentru a păstra frigiderul la același nivel.

3. Utilizați o nivelă pentru a vă asigura că frigiderul este așezat uniform pe orizontală stânga-dreapta și față-spate.

## Utilizarea comenzilor

Comenzile activate prin atingere se află pe ușa din stânga frigiderului. Panoul de comandă conține informații despre diferite butoane și indicatoare. Indicatoarele pentru temperatura frigiderului și a congelatorului arată ultima valoare setată pentru temperatură.



1. Buton pentru activarea/dezactivarea sunetului
2. Buton pentru temperatura frigiderului (țineți apăsat 3 secunde pentru răcire rapidă)
3. Buton pentru temperatura presetată a congelării flexibile (numai la WQ9 B1L, 6WM591NIHAS și WQ70900SXX)
4. Buton pentru temperatura congelatorului (țineți apăsat 3 secunde pentru congelare rapidă)
5. Indicator blocare taste
6. Buton pentru blocarea tastelor
7. Indicator ușă deschisă
8. Indicator congelare rapidă
9. Indicator congelare ușoară (numai la WQ9 B1L, 6WM591NIHAS și WQ70900SXX)
10. Indicator congelare medie (numai la WQ9 B1L, 6WM591NIHAS și WQ70900SXX)
11. Indicator funcție al 6-lea simț
12. Indicator congelare puternică (numai la WQ9 B1L, 6WM591NIHAS și WQ70900SXX)
13. Indicator răcire rapidă
14. Buton modul Vacanță
15. Indicator modul Demo (numai la WQ9 B1L, 6WM591NIHAS și WQ70900SXX)
16. Indicator modul Vacanță
17. Indicator sunet

Panoul de comandă se va opri automat după un minut de inactivitate. Pentru a activa panoul de comandă, apăsați orice tastă.

### - 88 Vizualizarea și reglarea punctelor setate pentru temperatură

#### Reglarea temperaturii compartimentului frigiderului și congelatorului:

Pentru confortul dvs., comenzile frigiderului și congelatorului sunt presetate în fabrică.

La prima instalare a frigiderului, verificați comenzile dacă sunt reglate la punctele de setare recomandate. Punctele setate recomandate din fabrică sunt 3°C pentru frigider și -18°C pentru congelator.

Apăsarea butonului pentru temperatura frigiderului sau a congelatorului va parcurge setările de temperatură în grade Celsius (°C)

#### IMPORTANT:

- Așteptați 24 de ore înainte de a pune alimente în frigider. Dacă adăugați alimente înainte ca frigiderul să se răcească complet, acestea se pot strica.  
**NOTĂ:** Reglarea punctelor setate la o valoare mai rece decât cea recomandată nu va răci mai rapid compartimentele.
- Dacă temperatura este prea caldă sau prea rece în frigider sau congelator, mai întâi verificați gurile de aerisire pentru a vă asigura că nu sunt blocate înainte de a regla comenzile.
- Setările recomandate trebuie să fie corecte pentru utilizarea casnică normală. Comenzile sunt setate corect atunci când laptele sau sucul este rece așa cum vă place și înghețata este solidă.  
**NOTĂ:** Zonele cum ar fi un garaj, un subsol sau un pridvor pot avea umiditate mai mare sau temperaturi extreme. Pentru a face față unor asemenea condiții, poate fi necesar să modificați temperatura față de setările recomandate.
- Așteptați cel puțin 24 de ore între reglaje. Verificați din nou temperaturile înainte de a efectua alte reglaje.

### Comanda congelării și păstrării proaspătății cu funcția al 6-lea simț

Senzorul pentru păstrarea proaspătății cu funcția al 6-lea simț asigură controlul precis și consistent al temperaturii pentru a păstra alimentele proaspete un timp mai îndelungat, în modul cel mai natural. După detectarea unei variații de temperatură, senzorul activează un compresor care restabilește rapid temperatura inițială.

Senzorul pentru congelarea cu funcția al 6-lea simț minimizează fluctuațiile de temperatură în interiorul congelatorului, datorită unui sistem inovator de gestiune a temperaturii. Arsurile prin congelare se reduc pentru conservarea calității și culorii alimentelor.

#### Setarea Congelare flexibilă (numai la WQ9 B1L, 6WM591NIHAS și WQ70900SXX)

Funcția de congelare flexibilă vă permite să comutați temperatura presetată pentru compartimentul cu congelare flexibilă.

Simbol	Funcție	Temperatura
☼	Congelare obișnuită	-18°C
✱	Congelare medie	-12°C
☼	Congelare ușoară	-7°C

\* Pentru a activa/dezactiva setarea cea mai rece (-20°C), apăsați butonul pentru temperatura presetată a congelării flexibile timp de 3 secunde.

## Reglarea setării de temperatură multiple

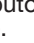
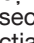
- Congelare obișnuită (-18°C): Alimente deja congelate și alimente proaspete (maximum 12 luni)
- Congelare medie (-12°C): Alimente deja congelate (maxim 1 lună)
- Congelare ușoară (-7°C): Alimente deja congelate (maxim 1 săptămână)

**Atunci când reglați punctele setate pentru temperatură, țineți cont de tabelul următor:**

SITUAȚIE	SETAREA TEMPERATURII
Frigider prea rece	Setare frigider cu 1° mai mult
Frigider prea cald	Setare frigider cu 1° mai puțin
Congelator prea rece	Setare congelator cu 1° mai mult
Congelator prea cald/prea puțină gheață	Setare congelator cu 1° mai puțin


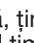
### Răcire rapidă

Funcția Răcire rapidă ajută în perioade de utilizare intensivă a frigiderului, încărcare la maxim cu alimente, sau temperaturi temporare mari ale încăperii.

- Pentru a activa funcția Răcire rapidă, țineți apăsat butonul pentru temperatura frigiderului  timp de 3 secunde. Când funcția este activată, simbolul Răcire rapidă va fi aprins. Funcția Răcire rapidă va rămâne activă timp de 2 ore, dacă nu este oprită manual.
- Pentru a dezactiva manual funcția Răcire rapidă, țineți apăsat butonul pentru temperatura frigiderului  timp de 3 secunde. Simbolul Răcire rapidă se va stinge atunci când funcția nu este activată.
- Reglarea temperaturii frigiderului va dezactiva automat funcția Răcire rapidă.

### Congelare rapidă

Cantitatea de alimente proaspete (în kg) care poate fi congelată în 24 de ore este specificată pe plăcuța cu datele tehnice ale aparatului.

- Apăsați butonul pentru temperatura congelatorului  timp de 3 secunde (până când indicatorul de congelare rapidă se aprinde), cu 24 de ore înainte de a introduce alimente proaspete în congelator. După ce ați introdus alimentele proaspete în frigider, în general sunt suficiente aproximativ 24 de ore cu funcția Congelare rapidă. După 50 de ore, funcția Congelare rapidă se dezactivează în mod automat.
- Pentru a dezactiva manual funcția Congelare rapidă, țineți apăsat butonul pentru temperatura congelatorului  timp de 3 secunde. Simbolul pentru Congelare rapidă se va stinge.
- Reglarea temperaturii congelatorului va dezactiva automat funcția Congelare rapidă.

### Modul Vacanță

Acest mod este proiectat pentru a evita ca aparatul să irosească energia în perioadele în care nu este utilizat în mod regulat (de exemplu, când sunteți în vacanță).

Prin selectarea acestei funcții, temperatura compartimentului frigider va fi setată automat la cel mai cald punct de setare.

- Pentru a utiliza modul Vacanță, apăsați butonul pentru mod până când indicatorul modului Vacanță se aprinde pe afișaj.
- Pentru a ieși din modul Vacanță, apăsați butonul pentru mod până când pe afișaj nu se mai aprinde niciun simbol pentru mod.
- Reglarea temperaturii frigiderului va dezactiva automat funcția modului Vacanță.

**IMPORTANT: Dacă acest mod este selectat, toate alimentele și băuturile trebuie să fie scoase din compartimentul frigiderului.**

## Activarea-Dezactivarea sunetului

Apăsați butonul pentru a activa/dezactiva feedback-ul sunetului.

### Blocarea tastelor

- Țineți apăsat butonul de blocare timp de 3 secunde pentru a activa funcția de blocare.
- Pentru a dezactiva blocarea, țineți apăsat butonul de blocare timp de 3 secunde.

Funcția de blocare va ignora întreaga interacțiune cu panoul de comandă până când utilizatorul deblochează panoul de comandă. Această caracteristică este menită să evite modificarea neintenționată a setărilor.

### **Modul Demo (numai la WQ9 B1L, 6WM591NIHAS și WQ70900SXX)**


Acest mod este utilizat atunci când frigiderul este expus într-un magazin de vânzare cu amănuntul sau dacă doriți să opriți răcirea și să dezactivați toate celelalte funcții (cu excepția iluminatului interior).

Modul Demo poate fi utilizat la plecarea în vacanță prelungită. Vedeți secțiunea „Îngrijirea pe perioada vacanțelor și mutărilor” pentru pașii necesari în cazul lăsării frigiderului în acest mod perioade lungi de timp.

- Dacă activați modul Demo, simbolul modului Demo se va aprinde pe afișaj.
- Intrați și ieșiți din modul Demo prin ținerea apăsată simultan timp de 3 secunde pe butoanele Sunet activat sau dezactivat și Blocare.

## Caracteristici suplimentare

### Alarmă ușă deschisă

- Alarma Ușă deschisă sună și simbolul pentru „Ușă deschisă”  clipește atunci când oricare dintre cele patru uși este deschisă timp de 2 minute sau mai mult.
- Alarma se va repeta la fiecare 5 minute. Închideți toate ușile pentru a o opri.

**NOTĂ:** Pentru a opri alarma sonoră în timp ce mențineți ușile deschise, de exemplu pe durata curățării interiorului frigiderului, atingeți orice buton de pe panoul de comandă. Sunetul de alarmă va fi oprit temporar, dar pe panoul de comandă va fi afișat simbolul Ușă deschisă.

## Iluminarea frigiderului

Frigiderul are o lumină interioară care se aprinde de fiecare dată când ușa este deschisă.

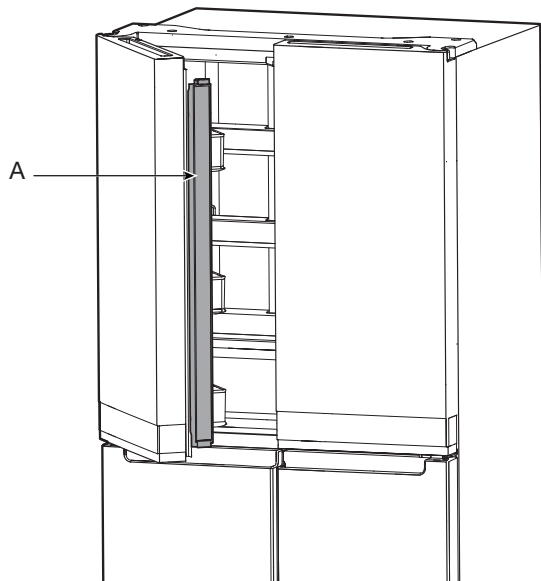
**NOTĂ:** Lumina este de tipul cu LED-uri care nu necesită înlocuire. Dacă LED-urile nu se aprind atunci când ușa se deschide, apăsați la service pentru înlocuire.

# UTILIZAREA FRIGIDERULUI

## Deschiderea și închiderea ușilor

Compartimentul frigider are două uși. Ușile pot fi deschise și închise separat sau împreună. Pe ușa din stânga frigiderului există o garnitură verticală articulată.

- Atunci când ușa din stânga este deschisă, garnitura articulată se pliază automat în interior astfel încât să nu stea în cale.
- Atunci când ambele uși sunt închise, garnitura articulată formează automat o etanșare între cele două uși.

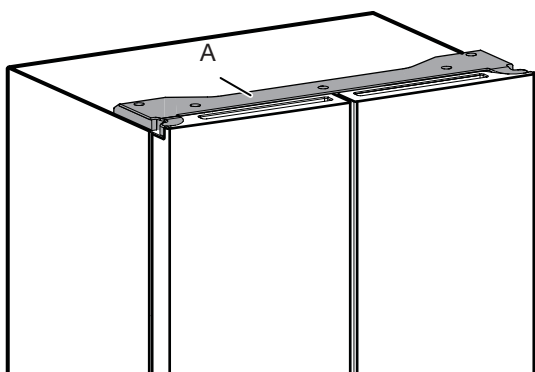


A. Garnitură articulată

Comutatorul ușii compartimentului frigider se află în capacul balamalei din stânga și dreapta sus.

- Pentru congelator și zona cu temperaturi multiple, comutatorul de ușă este amplasat pe separatorul inferior.
- Comutatorul de ușă utilizează un magnet pentru a sesiza deschiderea/inchiderea ușii.
- Asigurați-vă că nu există magneți sau dispozitive electronice (difuzor, Coolvox® etc.) pe o rază de 7,62 cm de capacul balamalei.

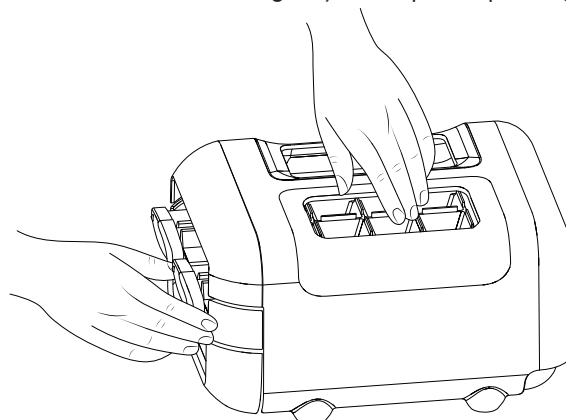
**NOTĂ:** Lumina nu se va aprinde dacă nu se detectează deschiderea ușii.



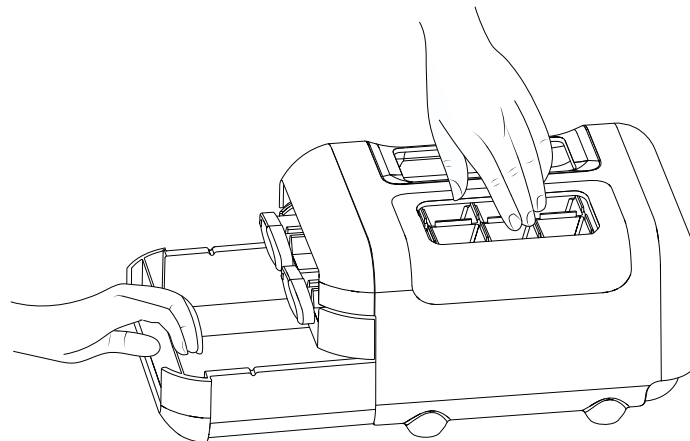
A. Capac balama

## Dispozitivul de produs gheață

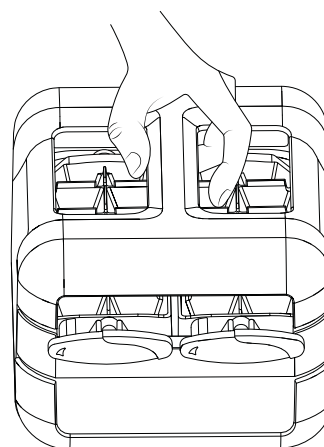
- Pentru a face gheață, umpleți tava pentru gheață cu apă purificată și așezați dispozitivului manual de produs gheață pe raftul superior al congelatorului. Așteptați până se formează gheața și după ce gheața este gata, rotiți butoanele în sens orar pentru a scoate cuburile de gheață în recipientul pentru gheață.



- Ridicați ușor recipientul pentru gheață și scoateți-l afară pentru a avea acces la cuburi de gheață.



Ansamblul dispozitivului manual de produs gheață poate fi scos din congelator atunci când gheața nu este necesară, pentru a face mai mult loc în congelator.



## Păstrarea alimentelor

### Păstrarea ouălor

Se recomandă păstrarea ouălor la o temperatură consistentă pentru a-și menține prospețimea, astfel încât cel mai bine este să le păstrați în frigider, pe raftul din mijloc.

# RAFTURI, CUTII ȘI SERTARE

## Informații importante de știut despre rafturi și capace de sticlă:

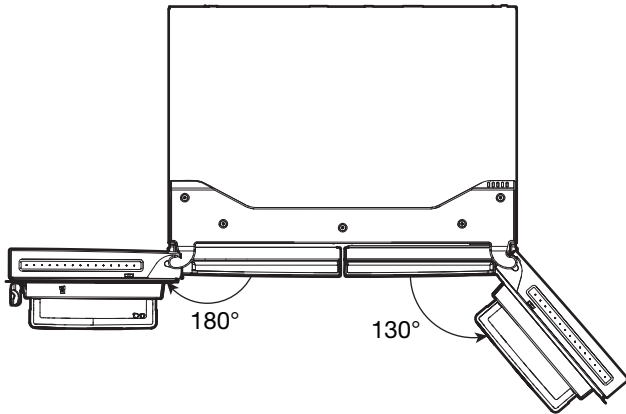
Nu spălați rafturile sau capacele de sticlă cu apă caldă atunci când acestea sunt reci. Rafturile și capacele se pot sparge dacă sunt expuse la modificări bruște de temperatură sau la impact, cum ar fi lovirea.

Sticla securizată este proiectată să se spargă în multe bucăți mici, de dimensiunea pietrișului. Acest lucru este normal. Rafturile și capacele din sticlă sunt grele. Utilizați ambele mâini atunci când le scoateți pentru a evita căderea.

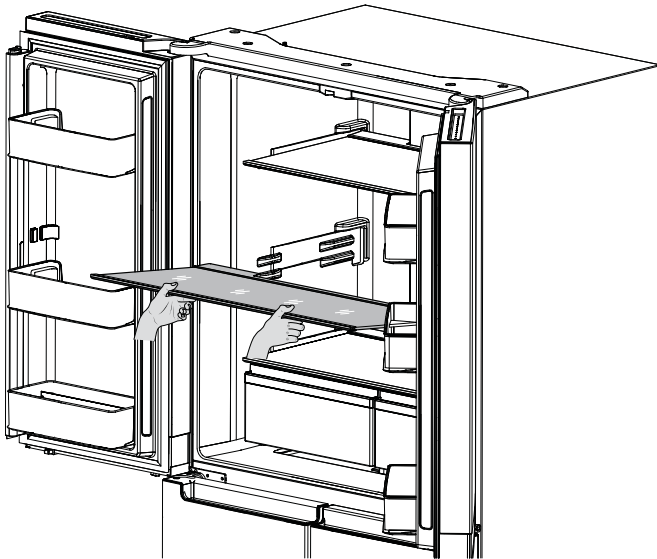
## Reglarea pe înălțime a rafturilor

Înălțimea rafturilor poate fi reglată prin schimbarea locației de la suportul inferior la suportul superior și invers

- Deschideți ușa din dreapta la maxim.
- Deschideți ușa din stânga la maxim și apoi ridicați ușa din stânga pentru a o deschide la 180°.



- Scoateți raftul din frigider și puneți-l în poziția dorită de montare.



- Asigurați-vă că raftul este așezat corespunzător pe suporturile rafturilor.

## Rafturi și rame de rafturi

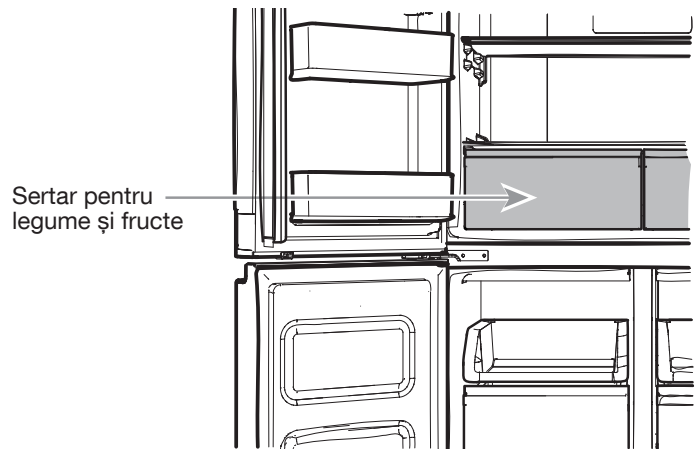
Rafturile frigiderului sunt reglabile pentru a face față cerințelor dvs. individuale de depozitare.

Depozitarea la un loc în frigider a alimentelor similare și reglarea rafturilor pentru a se potrivi diferitelor înălțimi ale articolelor vor ușura găsirea cu precizie a acestora. Va reduce de asemenea perioada de timp cât ușa frigiderului este deschisă și economisește energie.

### Pentru a scoate și a pune la loc rafturile:

1. Deschideți ușa din dreapta la maxim și ușa din stânga la maxim și ridicați ușa din stânga pentru a o deschide la 180°.
2. Scoateți raftul mijlociu sau raftul de sus prin tragerea acestuia în sus și afară de pe suporturile de raft. Apoi trageți raftul înainte și înclinați-l în jos într-o poziție verticală. Rotiți raftul la un unghi și trageți-l afară din frigider.
3. Scoateți raftul inferior prin tragerea acestuia în sus și afară de pe suporturile de raft. Apoi trageți raftul înainte și înclinați-l în sus într-o poziție verticală. Rotiți raftul la un unghi și trageți-l afară din frigider.
4. Puneți la loc rafturile din mijloc și de sus prin așezarea acestora în frigider în unghi cu partea din față a raftului în jos. Ridicați partea frontală a raftului și glisați până când partea din spate a raftului cade în suporturile raftului. Coborâți partea din față a raftului și asigurați-vă că raftul se află în poziție.
5. Puneți la loc raftul inferior prin așezarea acestuia în frigider în unghi cu raftul în sus. Ridicați partea frontală a raftului și glisați până când partea din spate a raftului cade în suporturile raftului. Coborâți partea din față a raftului și asigurați-vă că raftul se află în poziție.

## Sertare pentru legume și fructe

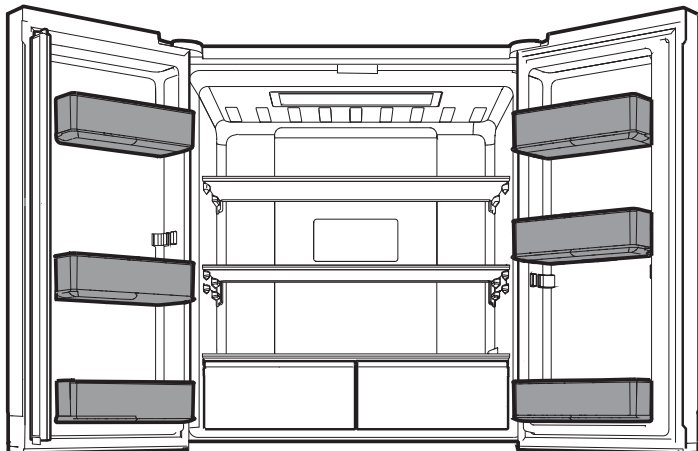


### Pentru a scoate și a pune la loc sertarele pentru legume și fructe:

1. Apucați mânerul sertarului pentru legume și fructe și glisați-l până când trece de opritor. Ridicați sertarul pentru legume și fructe de pe ghidajul inferior.
2. Puneți la loc sertarul pentru legume și fructe prin așezarea acestuia pe ghidajul inferior al sertarului pentru legume și fructe și împingerea în poziție până când trece de opritorul sertarului pentru legume și fructe.

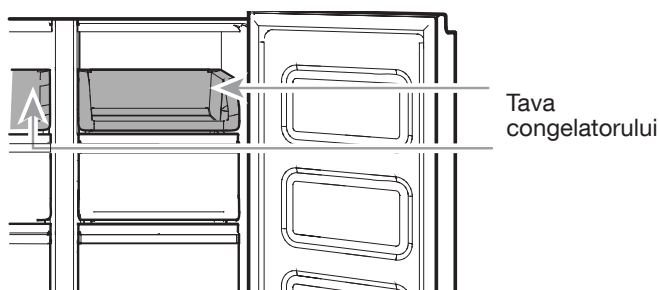
## Compartimentele de pe ușa frigiderului

Compartimentele de pe ușa frigiderului sunt reglabile pentru a face față cerințelor dvs. individuale de depozitare.



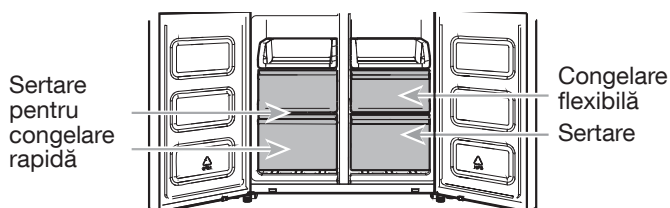
## Compartimentele de depozitare ale congelatorului

### Tava congelatorului



Tava congelatorului este utilă pentru a accesa cu ușurință produsele utilizate frecvent, pentru a congela sau pentru a stoca mâncarea rămasă sau articole mici.

### Sertarele congelatorului



### Compartimentul de congelare rapidă

- Sertarele cu congelare rapidă vă permit să stocați în mod convenabil articole cu volum mare.
- Opțiunea Congelare rapidă vă permite să depozitați toate alimentele congelate în siguranță și transparent.

### Compartimentul pentru congelare flexibilă (numai la WQ9 B1L, 6WM591NIHAS și WQ70900SXX)

Compartimentul pentru congelare flexibilă vă permite să selectați unul din cele trei niveluri ale temperaturii congelatorului:  $-7^{\circ}\text{C}$ ,  $-12^{\circ}\text{C}$  și  $-18^{\circ}\text{C}$  pentru a asigura cele mai bune condiții de păstrare pentru diferite tipuri de alimente.

Pentru a beneficia de capacitatea maximă a congelatorului, puteți scoate sertarul congelatorului pentru a expune raftul congelatorului.

### Pentru a scoate sertarul superior:

1. Apucați mânerul sertarului și glisați sertarul până când trece de opritor. Ridicați sertarul de pe ghidajul inferior.
2. Puneți la loc sertarul prin așezarea acestuia pe ghidajul inferior al sertarului și împingerea în poziție până când trece de opritorul sertarului.

### Raftul congelatorului (numai la WQ9 E1L și WQ9 B1L)

Pentru a maximiza capacitatea congelatorului, puteți scoate sertarul mijlociu pentru a expune raftul congelatorului de dedesubt. Puteți apoi păstra sertarul superior și așezați alimente direct pe partea superioară a raftului.

## Referință audio

### Atribuirea tonurilor

Numele tonului	Exemple de utilizare
Alimentare pornită	Sistemul de răcire este pornit de fiecare dată când aparatul este pornit.
Apăsare tastă	Utilizatorul apasă un buton valid.
Incorect (eroare)	Utilizatorul apasă două sau mai multe butoane în același timp. Întreruperea numărării inverse pentru butoanele cu apăsare și ținere apăsată.
Cuplare	Confirmarea intrării în orice mod.
Decuplare	Confirmarea ieșirii din orice mod.
Alertă	Alertă ușă întredeschisă.

Acest tabel este doar pentru referință rapidă. Consultați secțiunile respective pentru detalii. În caz de inconsecvență, vor prevala detaliile secțiunii.

## Accesorii

Pentru a comanda accesorii, contactați distribuitorul de la care ați cumpărat frigiderul.

## Asistență sau service

Înainte de a apela la serviciul de asistență sau de service, consultați secțiunea „Depanarea”. Aceasta vă poate economisi costul unui apel la service. Dacă totuși aveți nevoie de ajutor, urmați instrucțiunile de mai jos.

### Dacă aveți nevoie de piese de schimb

Pentru a afla unde puteți găsi piese de schimb recomandate de fabrică în zona dvs., contactați distribuitorul de la care ați cumpărat frigiderul.

### Garanția

Contactați distribuitorul de la care ați cumpărat frigiderul pentru informații despre garanție.

**Păstrați această broșură împreună cu factura de achiziție pentru consultarea viitoare. Trebuie să furnizați dovada achiziției sau a datei de instalare pentru a beneficia de servicii în garanție.**

Notați următoarele informații despre aparatul dvs. pentru a vă ajuta să obțineți asistență sau servicii dacă aveți vreodată nevoie. Va trebui să cunoașteți numărul complet al modelului și numărul de serie. Puteți găsi aceste informații pe eticheta cu modelul și numărul de serie, aflată pe perețele interior al compartimentului frigider.

Numele distribuitorului \_\_\_\_\_  
Numărul de serie \_\_\_\_\_  
Adresa \_\_\_\_\_  
Numărul de telefon \_\_\_\_\_  
Numărul modelului \_\_\_\_\_  
Data achiziționării \_\_\_\_\_



# ÎNGRIJIREA FRIGIDERULUI

## Curățarea

### AVERTISMENT



#### Pericol de explozie

Utilizați un produs de curățare neinflamabil.

Nerespectarea poate duce la deces, explozie sau incendiu.

Toate compartimentele din frigider, congelator și cele cu congelare flexibilă (numai la WQ9 B1L, 6WM591NIHAS și WQ70900SXX) se dezghează automat. Cu toate acestea, curățați toate secțiunile aproximativ o dată pe lună pentru a evita acumularea de mirosuri. Ștergeți imediat scurgerile.

### Curățarea exterioară

Consultați informațiile cu privire la curățarea exterioară specifice modelului dvs.

#### Stilul 1 – Ușă netedă

**IMPORTANT:** Deteriorările la finisajul neted datorate utilizării necorespunzătoare a produselor de curățare sau utilizării de produse de curățare nerecomandate nu sunt acoperite de garanție. Instrumentele ascuțite sau contondente vor lăsa urme pe finisaj.

UTILIZAȚI	NU UTILIZAȚI
✓ Cârpe moi, curate	✗ Cârpe abrazive ✗ Prosoape de hârtie sau hârtie de ziar ✗ Bureți de sârmă
✓ Apă caldă cu săpun sau un detergent slab	✗ Pulberi sau lichide abrazive ✗ Spray-uri de ferestre ✗ Amoniac ✗ Produse de curățat pe bază de acid sau oțet ✗ Produse de curățat cuptoare ✗ Lichide inflamabile

**NOTĂ:** Șervețelele de hârtie zgârie și pot afecta luciul stratului transparent al ușii vopsite. Pentru a evita posibilele deteriorări, utilizați numai cârpe moi și curate pentru a lustrui și șterge ușile.

#### Stilul 2 – oțel inoxidabil

##### IMPORTANT:

- Utilizați numai cârpe și produse de curățat oțel inoxidabil recomandate. Deteriorările la finisajul din oțel inoxidabil datorate utilizării necorespunzătoare a produselor de curățare sau utilizării de produse de curățare nerecomandate nu sunt acoperite de garanție.
- Evitați expunerea aparatelor din oțel inoxidabil la elemente caustice sau corozive, cum ar fi medii cu conținut ridicat de sare, umezeală sau umiditate. Deteriorările cauzate de expunerea la aceste elemente nu sunt acoperite de garanție.

UTILIZAȚI	NU UTILIZAȚI
✓ Cârpe moi, curate	✗ Cârpe abrazive ✗ Prosoape de hârtie sau hârtie de ziar ✗ Bureți de sârmă
✓ Apă caldă cu săpun sau un detergent slab	✗ Pulberi sau lichide abrazive ✗ Amoniac ✗ Produse de curățat pe bază de citrice ✗ Produse de curățat pe bază de acid sau oțet ✗ Produse de curățat cuptoare
✓ Pentru murdărie rezistentă, utilizați numai produse de curățat destinate aparatelor din oțel inoxidabil. Pentru a comanda produsul de curățare, contactați distribuitorul de la care ați cumpărat frigiderul.	✗ Produsul de curățare a oțelului inoxidabil este numai pentru componentele din oțel inoxidabil. Nu permiteți ca produsul de curățare și lustruire a oțelului inoxidabil să intre în contact cu nicio componentă din material plastic, cum ar fi ornamentele, capacele dozatorului sau garniturile de ușă.

#### Stilul 3 – Oțel rezistent la amprente

##### IMPORTANT:

- Evitați expunerea aparatelor din oțel inoxidabil la elemente caustice sau corozive, cum ar fi medii cu conținut ridicat de sare, umezeală sau umiditate. Deteriorările cauzate de expunerea la aceste elemente nu sunt acoperite de garanție.

UTILIZAȚI	NU UTILIZAȚI
✓ Cârpe moi, curate	✗ Cârpe abrazive ✗ Prosoape de hârtie sau hârtie de ziar ✗ Bureți de sârmă
✓ Apă caldă cu săpun sau un detergent slab	✗ Pulberi sau lichide abrazive ✗ Spray-uri de ferestre ✗ Amoniac ✗ Produse de curățat pe bază de acid sau oțet ✗ Produse de curățat cuptoare ✗ Lichide inflamabile

##### NOTE:

- În cazul contactului neintenționat, curățați componenta din plastic cu un burete și un detergent slab cu apă caldă. Uscați bine cu o cârpă moale.
- Doar pentru că un produs de curățare este lichid nu înseamnă că este neabraziv. Multe produse de curățare lichide, concepute pentru a fi delicate pe dale și suprafețe netede, afectează totuși oțelul inoxidabil.
- Acidul citric decolorează permanent oțelul inoxidabil.
- Pentru a evita deteriorarea finisajului frigiderului din oțel inoxidabil:

##### Nu permiteți acestor substanțe să rămână pe finisaj:

- ✗ Muștar
- ✗ Sosuri pe bază de citrice
- ✗ Suc de roșii
- ✗ Produse pe bază de citrice
- ✗ Sos marinara

---

## Curățarea interioară

---

1. Scoateți frigiderul din priză sau deconectați alimentarea electrică.
2. Spălați manual, clătiți și uscați bine componentele detașabile și suprafețele interioare. Utilizați un burete curat sau o cârpă moale și un detergent slab cu apă caldă.  
**NOTĂ:** Pentru curățarea componentelor din plastic, interiorului și căptușelilor de ușă sau garniturilor, nu utilizați substanțe de curățare abrazive sau aspre, cum ar fi spray-uri de geamuri, detergenți de curățat, lichide inflamabile, ceruri de curățare, detergenți concentrați, înălbitori sau detergenți care conțin produse petroliere.
3. Introduceți în priză sau reconectați alimentarea electrică.

---

## Curățarea aparatului frigorific

---

Acest frigider are aparat frigorific montat pe ambii pereți laterali ai frigiderului. Este normal să se simtă cald pe părțile laterale.

---

## Luminile

Luminile din compartimentele frigider și congelator sunt LED-uri care nu trebuie înlocuite. Dacă luminile nu se aprind atunci când se deschide ușa, contactați distribuitorul de la care ați cumpărat frigiderul.

---

## Îngrijirea pe perioada vacanțelor și mutărilor

---

### Vacanțe

---

#### Dacă alegeți să lăsați frigiderul pornit cât timp sunteți plecați:

1. Folosiți produsele perisabile și congelați-le pe celelalte.
2. Dacă frigiderul dvs. are un dispozitiv automat de produs gheață și este conectat la alimentarea cu apă de uz casnic, opriți alimentarea cu apă a frigiderului. Pot apărea deteriorări ale bunurilor dacă alimentarea cu apă nu este oprită.
3. Dacă aveți un dispozitiv automat de produs gheață, opriți-l.
  - Apăsați comutatorul pe poziția Oprit (O) la dispozitivul de produs gheață de pe ușă.
4. Goliți cutia pentru gheață.

#### Dacă alegeți să opriți frigiderul înainte de a pleca:

**NOTĂ:** În timp ce sunteți plecați în vacanță, puneți frigiderul în modul Demo. Consultați secțiunea „Utilizarea comenzilor”.

1. Scoateți toate alimentele din frigider.
2. Dacă frigiderul dvs. este echipat cu un dispozitiv de produs gheață:
  - Opriți alimentarea cu apă la dispozitivul de produs gheață cu cel puțin 1 zi înainte.
  - În momentul în care cade ultima încărcătură de gheață, apăsați comutatorul pe poziția Oprit (O) pentru ca afișajul să fie stins în partea superioară din interiorul frigiderului, în funcție de model.
3. Goliți cutia pentru gheață.
4. Dezactivați comenzile de temperatură. Consultați secțiunea „Utilizarea comenzilor”.
5. Curățați frigiderul, ștergeți-l și uscați-l bine.
6. Fixați cu bandă blocuri de cauciuc sau de lemn în partea de sus a ambelor uși pentru a le bloca în poziție suficient de deschise pentru ca aerul să pătrundă înăutru. Acest lucru împiedică formarea de miros și mucegai.

---

## Mutarea

---

Atunci când mutați frigiderul la o nouă locuință, efectuați pașii următori pentru a-l pregăti pentru mutare.

1. Dacă frigiderul dvs. este echipat cu un dispozitiv de produs gheață:
  - Opriți alimentarea cu apă la dispozitivul de produs gheață cu cel puțin 1 zi înainte.
  - Deconectați conducta de apă din partea din spate a frigiderului.
  - În momentul în care cade ultima încărcătură de gheață, apăsați comutatorul pe poziția Oprit (O) fie de la dispozitivul de produs gheață, fie de la butonul de comandă, în funcție de model.
2. Scoateți toate alimentele din frigider și împachetați toate alimentele congelate în gheață uscată.
3. Goliți cutia pentru gheață.
4. Scoateți din priză frigiderul.
5. Curățați, ștergeți și uscați bine.
6. Scoateți toate piesele detașabile, înfășurați-le bine și lipiți-le împreună cu bandă, astfel încât să nu se miște și să facă zgomot în timpul mișcării.
7. În funcție de model, ridicați partea frontală a frigiderului astfel încât să se rotească mai ușor sau ridicați șuruburile de nivelare astfel încât să nu zgârie podeaua. Consultați secțiunile „Reglarea ușilor” și „Așezarea la nivel a frigiderului și închiderea ușilor”.
8. Înfășurați cu bandă ușile în poziție închisă și înfășurați cu bandă cablul de alimentare în partea din spate a frigiderului.

Atunci când ajungeți la noua locuință, puneți totul la loc și consultați secțiunea Instrucțiuni de instalare pentru operațiile pregătitoare. De asemenea, dacă frigiderul dvs. este echipat cu un dispozitiv automat de produs gheață, nu uitați să reconectați alimentarea cu apă la frigider.

# DEPANAREA

Încercați mai întâi soluțiile recomandate aici pentru a evita un eventual apel la service.

## ⚠️ AVERTISMENT



### Pericol de electrocutare

**Conectați la o priză împământată.**

**Nu scoateți știftul de împământare.**

**Nu utilizați un adaptor.**

**Nu utilizați un cablu prelungitor.**

**Nerespectarea acestor instrucțiuni poate duce la deces, incendiu sau electrocutare.**

În cazul în care	Cauze posibile	Soluție
<b>Funcționarea frigiderului</b>		
Frigiderul nu funcționează.	Verificați alimentarea electrică.	Introduceți cablul de alimentare într-o priză împământată. Nu utilizați un cablu prelungitor. Asigurați-vă că există curent electric la priză. Introduceți o lampă în priză pentru a vedea dacă priza funcționează. Resetați un întrerupător de circuit declanșat. Înlocuiți toate siguranțele fuzibile arse. <b>NOTĂ:</b> Dacă problemele continuă, luați legătura cu un electrician.
	Verificați comenzile.	Verificați comenzile dacă sunt pornite. Consultați secțiunea „Utilizarea comenzilor”.
	Instalare nouă	Așteptați 24 de ore după instalare pentru ca frigiderul să se răcească de tot. <b>NOTĂ:</b> Reglarea comenzilor de temperatură la cea mai rece setare nu va răci niciun compartiment mai repede.
	Comanda frigiderului este în modul Demo (la unele modele).	Dacă frigiderul se află în modul Demo, răcirea este oprită și pe panoul de comandă se va aprinde cuvântul „Demo”. Consultați secțiunea „Utilizarea comenzilor” pentru mai multe informații.
Motorul pare a funcționa prea mult.	Compresorul și ventilatoarele cu eficiență ridicată	Frigiderele mai mari și mai eficiente funcționează mai mult la viteze mai mici, mai eficiente din punct de vedere energetic.
	Temperatura încăperii sau cea exterioară este mare.	În aceste condiții, este normal ca frigiderul să funcționeze mai mult. Pentru performanțe optime, amplasați frigiderul într-un mediu de interior, cu temperatură controlată. Consultați secțiunea „Cerințe privind locația”.
	A fost adăugată recent o cantitate mare de alimente calde.	Alimentele calde determină funcționarea un timp mai îndelungată a frigiderului până când aerul se răcește la temperatura dorită.
	Ușile sunt deschise prea des sau prea mult timp.	Intrarea de aer cald în frigider cauzează funcționarea mai îndelungată. Deschideți ușa mai rar.
	Ușa frigiderului sau sertarul congelatorului este deschis.	Asigurați-vă că frigiderul este vertical. Consultați secțiunea „Așezarea la nivel a frigiderului și închiderea ușilor”. Nu permiteți ca alimentele și containerele să blocheze ușa.
	Comanda frigiderului este setată la o valoare prea rece.	Reglați comanda frigiderului la o setare mai puțin rece până când temperatura frigiderului este cea dorită.
	Garnitura ușii sau sertarului este murdară, uzată sau fisurată.	Curățați sau înlocuiți garnitura. Scurgeri la etanșarea ușii vor cauza funcționarea mai îndelungată a frigiderului pentru a menține temperaturile dorite.

# DEPANAREA

Încercați mai întâi soluțiile recomandate aici pentru a evita un eventual apel la service.

În cazul în care	Cauze posibile	Soluție
Luminile nu funcționează.	Frigiderul este echipat cu iluminat cu LED-uri care nu necesită înlocuire.	Dacă frigiderul este alimentat cu energie electrică și luminile nu se aprind la deschiderea unei uși sau a unui sertar, apălați la service sau asistență.
	Ușile au fost deschise mai mult de 10 minute.	Închideți ușile și sertarul pentru a reseta și deschideți pentru a relua activitatea care presupune iluminatul.
	Comutatorul ușii nu detectează deschiderea ușii.	Asigurați-vă că nu există magneți sau dispozitive electronice pe o rază de 7,62 cm de capacul balamalei.
Interfața cu utilizatorul pentru comenzile de temperatură nu pornește.	Interfața cu utilizatorul pentru comenzile de temperatură a intrat în repaus.	Apăsați orice buton de la interfața cu utilizatorul pentru comenzile de temperatură pentru a o reactiva.
	Butoanele interfeței cu utilizatorul pentru comenzile de temperatură nu funcționează bine.	Încercați pornirea și oprirea alimentării cu energie electrică a frigiderului pentru a reseta butoanele. Dacă problema continuă, apălați la service sau asistență.
	Interfața cu utilizatorul pentru comenzile de temperatură nu primește energie.	Verificați cablajul de la balamaa ușii.
Nu se poate ajusta setarea la interfața cu utilizatorul pentru comenzile de temperatură.	Ușa este deschisă și este activată alarma pentru ușă întredeschisă.	Închideți ușa.
<b>Zgomot neobișnuit</b>		
Pentru a asculta sunetele obișnuite ale frigiderului, accesați secțiunea Ajutor / Întrebări frecvente despre produs de pe site-ul web al mărcii și căutați „sunete normale”. Mai jos sunt enumerate câteva sunete normale împreună cu explicații.		
Frigiderul pare zgomotos.	Compresorul din noul dvs. frigider reglează temperatura mai eficient în timp ce utilizează mai puțină energie și funcționează silențios.	Datorită acestei reduceri a zgomotului de funcționare, este posibil să constatați zgomote nefamiliare, dar care sunt normale.
Sunetul compresorului care funcționează mai mult timp decât se aștepta.	Compresorul și ventilatoarele cu eficiență ridicată.	Frigiderule mai mari și mai eficiente funcționează mai mult la viteze mai mici, mai eficiente din punct de vedere energetic.
Pulsație/Zbârânit	Reglarea ventilatoarelor/compresoarelor pentru a optimiza performanța pe durata funcționării normale a compresorului.	Acest lucru este normal.
Pocnitură	Contractia/extinderea pereților interiori, în special pe durata răcirii inițiale.	Acest lucru este normal.
Sâsâit/Picurare	Curgerea agentului frigorific sau a uleiului în compresor.	Acest lucru este normal.
Vibrații	Este posibil ca frigiderul să nu fie stabil.	Reglați șuruburile de nivelare și coborâți picioarele de nivelare astfel încât să stea ferm pe podea. Consultați secțiunea „Așezarea la nivel a frigiderului și închiderea ușilor”.
Huruit/Clănțănit	Deplasarea conductelor de apă înspre cabinetul frigiderului sau a articolelor așezate deasupra cabinetului frigider.	Îndepărtați conducta de apă în exces de cabinetul frigiderului sau fixați conducta în exces de cabinet. Consultați secțiunea „Racordarea la alimentarea cu apă” sau îndepărtați articolele din partea de sus a frigiderului.
Sfârâit	Apa care picură pe încălzitor în timpul ciclului de dezghețare.	Acest lucru este normal.
Curgere de apă/Gâlgâit	Poate fi auzit atunci când gheața se topește în timpul ciclului de dezghețare și apa intră în tava de scurgere.	Acest lucru este normal.

# DEPANAREA

Încercați mai întâi soluțiile recomandate aici pentru a evita un eventual apel la service.

În cazul în care	Cauze posibile	Soluție
<b>Temperatura și umezeala</b>		
Temperatura este prea caldă.	Frigiderul tocmai a fost instalat.	Așteptați 24 de ore după instalare pentru ca frigiderul să se răcească de tot.
	Comenzile nu sunt setate corect pentru condițiile înconjurătoare.	Reglați comenzile la o setare mai rece. Verificați temperatura în 24 de ore. Consultați secțiunea „Utilizarea comenzilor”.
	Ușile sunt deschise des sau nu sunt închise de tot. În acest fel se permite intrarea de aer cald în frigider.	Reduceți la minim deschiderile de ușă și țineți ușile închise de tot.
	O cantitate mare de alimente a fost introdusă de curând.	Așteptați câteva ore pentru ca frigiderul să revină la temperatura normală.
	Modul Demo este activat.	Dezactivați modul Demo. Consultați secțiunea „Utilizarea comenzilor”.
	Modul Vacanță este activat.	Dezactivați modul Vacanță. Consultați secțiunea „Utilizarea comenzilor”.
Temperatura este prea rece în frigider/sertar.	Gurile de aerisire de la frigider sunt blocate.	Dacă gura de aer aflată în mijlocul părții din spate a compartimentului frigider este blocată de articole așezate direct în fața sa, frigiderul va deveni prea rece. Îndepărtați articolele de la gura de aerisire.
	Comenzile nu sunt setate corect pentru condițiile înconjurătoare.	Reglați comenzile la o setare mai caldă. Verificați temperatura în 24 de ore. Consultați secțiunea „Utilizarea comenzilor”.
	Cutia de depozitare a gheții nu este în poziția corectă.	Consultați secțiunea „Dispozitivul de produs gheață și cutia de depozitare a gheții”.
Temperatura este prea rece în sertarul cu temperatură controlată.	Comanda nu este setată corect pentru articolele păstrate în sertar.	Reglați setarea de temperatură. Consultați „Utilizarea comenzilor” în secțiunea „Utilizarea frigiderului”.
Se acumulează umiditate în interior. <b>NOTĂ:</b> Este normal să se formeze puțină umezeală.	Încăperea este umedă.	Un mediu umed contribuie la formarea de umezeală.
	Ușile sunt deschise des sau nu sunt închise de tot. În acest fel se permite intrarea de aer umed în frigider.	Reduceți la minim deschiderile de ușă și închideți ușile de tot.
	Ușile sunt blocate în poziția deschisă.	Îndepărtați pachetele cu alimente de ușă.
	O cutie sau un raft stă în cale.	Împingeți cutia sau raftul înapoi în poziția corectă.
	Păstrarea lichidelor în recipiente deschise.	Aceasta duce la creșterea umidității în interiorul frigiderului. Păstrați toate recipientele acoperite în mod etanș.
În compartimentul congelator se formează gheață.	Ușa este deschisă des sau este lăsată deschisă.	Reduceți la minim deschiderea ușii și închideți sertarele de tot după utilizare.
	Ușa are o etanșare necorespunzătoare.	Asigurați-vă că garniturile de ușă sunt în contact complet cu cabinetul frigiderului pentru a permite o etanșare adecvată.
	Comenzile pentru temperatură nu sunt setate în mod corect.	Consultați secțiunea „Utilizarea comenzilor” pentru setările recomandate de temperatură.

# DEPANAREA

Încercați mai întâi soluțiile recomandate aici pentru a evita un eventual apel la service.

<b>⚠ AVERTISMENT</b>

<b>Pericol de explozie</b>
<b>Utilizați un produs de curățare neinflamabil.</b>
<b>Nerespectarea poate duce la deces, explozie sau incendiu.</b>

Pentru a vedea o animație care arată modul de reglare și aliniere a ușilor, consultați secțiunea Ajutor/Întrebări frecvente despre produse de pe site-ul web al mărcii și căutați „Închiderea ușilor și alinierea ușilor”.

În cazul în care	Cauze posibile	Soluție
<b>Ușile</b>		
Ușile nu se închid de tot.	Ușa este blocată în poziția deschisă.	Îndepărtați pachetele cu alimente de ușă.
	O cutie sau un raft stă în cale.	Împingeți cutia sau raftul înapoi în poziția corectă.
	Instalare recentă	Îndepărtați toate materialele de ambalare.
Ușile se deschid greu.	Garniturile de ușă sunt murdare sau lipicioase.	Curățați garniturile și suprafețele de contact cu săpun și apă caldă. Clățiți și uscați cu o cârpă moale.
Ușile par a fi neuniforme.	Ușile trebuie alinate sau frigiderul trebuie așezat vertical.	Dacă trebuie să aliniați ușa, apelați la service.
Frigiderul este instabil sau se rotește înainte când deschideți și închideți ușile.	Picioarele de frână ale frigiderului nu sunt strânse pe podea.	Rotiți ambele picioare de frână (câte unul pe fiecare parte) în sens antiorar, cu aceeași valoare, până când se fixează pe podea. Consultați secțiunea „Așezarea la nivel a frigiderului și închiderea ușilor”.

# İçindekiler

<b>BUZDOLABI GÜVENLİĞİ.....</b>	<b>152</b>
Eski Buzdolabınızın Uygun Şekilde Bertarafı .....	155
<b>PARÇALAR VE ÖZELLİKLER.....</b>	<b>156</b>
<b>MONTAJ TALİMATLARI.....</b>	<b>157</b>
Başlangıç.....	157
Buzdolabının Ambalajından Çıkartılması .....	157
Konum Gereklilikleri .....	158
Elektriksel Gereklilikler .....	158
Buzdolabı Kapaklarının Çıkarılması ve Değiştirilmesi.....	160
Dondurucu/Flexi Dondurucu Kapısının Sökülmesi ve Takılması..	162
Buzdolabının Düzlük Ayarlaması.....	163
Kumandaların Kullanımı .....	164
Buzdolabının Aydınlatması.....	165
<b>BUZDOLABI KULLANIMI .....</b>	<b>166</b>
Kapakların Açılması ve Kapatılması .....	166
Yiyeceklerin Saklanması .....	166
<b>RAFLAR, BÖLMELER VE ÇEKMECELER .....</b>	<b>167</b>
Dondurucu Saklama Bölmeleri.....	168
Ses Referansı .....	168
Aksesuarlar .....	168
Yardım veya Servis.....	168
<b>BUZDOLABI BAKIMI .....</b>	<b>169</b>
Temizlik.....	169
Lambalar .....	170
Tatil ve Taşınma Bakımı.....	170
<b>SORUN GİDERME.....</b>	<b>171</b>

# BUZDOLABI GÜVENLİĞİ

## Sizin ve başkalarının güvenliği büyük önem taşır.

Bu kılavuzda ve cihazınızda birçok önemli güvenlik mesajları vermiş bulunmaktayız. Tüm güvenlik mesajlarını daima okuyun ve bunlara riayet edin.



Bu, güvenlik uyarısı sembolüdür.

Bu sembol, sizin veya başkalarının yaralanmasına veya ölümüne neden olabilecek potansiyel tehlikelere karşı sizi uyarır.

Güvenlik mesajlarının tümünün başında, güvenlik alarmı sembolü veya "TEHLİKE" ya da "UYARI" kelimesi bulunur.

Bu kelimelerin anlamı:

 **TEHLİKE**

Talimatlara derhal uymamanız halinde ölümünüz veya ciddi bir yaralanmanızla sonuçlanabilir.

 **UYARI**

Talimatlara uymamanız halinde ölümünüz veya ciddi bir yaralanmanızla sonuçlanabilir.

Güvenlik mesajlarının tümü size potansiyel tehlikenin ne olduğunu, yaralanma tehlikesini nasıl azaltabileceğinizi ve talimatlara uyulmaması halinde nelerin meydana gelebileceğini açıklayacaktır.



Cihazı kullanmadan önce, bu güvenlik talimatlarını okuyun. İleride sonra başvurmak için yakın bir yerde bulundurun. Bu talimatlar ve cihazın kendisi, her zaman uyulması gereken önemli güvenlik mesajları içermektedir. Üretici firma, bu güvenlik talimatlarına uyulmamasından, cihazın uygunsuz kullanımından veya kumandaların hatalı ayarlanmasından kaynaklanacak sorunlardan sorumlu tutulamaz.

⚠ Çok küçük yaştaki çocuklar (0-3 yaş) cihazdan uzak tutulmalıdır. Küçük yaştaki çocuklar (3-8 yaş) devamlı gözetim altında değilse ise cihazdan uzak tutulmalıdır. Yaşı 8 veya daha üstü olan çocuklar ve kısıtlı fiziksel, duyuşsal veya zihinsel kapasiteye sahip olan veya yeterli bilgi ve deneyimi olmayan kişiler, bu cihazı sadece gözetim altında olduklarında veya cihazın güvenli bir şekilde kullanımı konusunda bilgilendirildikten ve ilgili tehlikeleri anladıktan sonra kullanılabilir. Çocuklar cihazla oynamamalıdır. Temizlik ve kullanıcının yapacağı bakım işlemleri, gözetim altında olmadıkları sürece çocuklar tarafından yapılmamalıdır.

## İZİN VERİLEN KULLANIM

⚠ DİKKAT: Cihaz, zamanlayıcı veya ayrı bir uzaktan kumanda sistemi gibi harici bir araç ile çalıştırılabilecek şekilde tasarlanmamıştır.

⚠ Bu cihaz, evde ve benzer uygulamalarda kullanım için tasarlanmıştır, örneğin: mağazalardaki, ofislerdeki ve diğer çalışma ortamlarındaki personel mutfaklarında; oteller, moteller, pansiyonlar ve diğer konaklama ortamlarında müşteriler tarafından kullanım için.

⚠ Bu cihaz profesyonel kullanım için değildir. Cihazı dış mekanda kullanmayınız.

⚠ Cihaz, anma değerleri plakasında belirtilen iklim sınıfına göre belirli ortam sıcaklığı aralıklarında çalışmak üzere tasarlanmıştır. Cihaz belirtilen değer aralığının dışındaki bir sıcaklıkta uzun süre kalırsa, düzgün bir şekilde çalışmayabilir.

İklim Sınıfı Ortam Sıcaklığı (°C)

SN: 10 ile 32 °C arası; N: 16 ile 32 °C arası

ST: 16 ile 38 °C arası; T: 16 ile 43 °C arası

⚠ Bu cihaz CFC gazları içermez. Soğutma devresi R600a (HC) içerir. İzobütan (R600a) içeren cihazlar: izobütan çevreye zararı olmayan doğal bir gazdır, ancak yanıcıdır. Bu nedenle, özellikle soğutma devresini boşaltırken soğutma devresi borusunun hasarlı olmadığından emin olun.

⚠ UYARI: Cihazın soğutucu devresinin borularına zarar vermeyin.

⚠ UYARI: Cihazın mahfazasında veya gövdesinde bulunan havalandırma deliklerini açık tutun.

⚠ UYARI: Buz çözme sürecini hızlandırmak amacıyla üretici şirket tarafından önerilenlerin dışında mekanik, elektriksel veya kimyasal bir yöntem kullanmayın.

⚠ UYARI: Üretici firma tarafından özel olarak izin verilmiş türde değilse, elektrikli cihazları buzdolabının içine koymayın ve içinde kullanmayın.

⚠ UYARI: Su beslemesine doğrudan bağlanmamış olan buz makineleri ve/veya su pınarları, sadece içme suyu ile doldurulmalıdır.

⚠ UYARI: Otomatik buz makinesi veya su pınarları, sadece içme suyu veren bir su beslemesine bağlanmalıdır, şebeke suyunun basıncı 0,17 ile 0,81 Mpa (1,7 ile 8,1 bar) arasında olmalıdır.

⚠ Bu cihazın içerisinde aerosol kutuları veya tutuşabilir yakıtlar gibi patlayıcı maddeler saklamayın.

⚠ Buz torbalarının içeriklerini (toksik değildir) yutmayın (bazı modellerde). Soğuk yanıklarına neden olabileceğinden, buz küplerini veya buzlu şekerleri dondurucudan çıkardıktan hemen sonra yemeyin.

⚠ Erişilebilir bir fan kapağının içinde bir hava filtresi kullanacak şekilde tasarlanmış ürünler için, buzdolabı çalışırken filtre daima yerinde/takılı olmalıdır.

⚠ Kırılabilir için, içi sıvı dolu cam kapları dondurucu bölmesine koymayın. Fanı (varsa) yiyeceklerle kapatmayın. Yiyecekleri yerleştirdikten sonra, özellikle dondurucu kapağı olmak üzere bölmelerin kapaklarının düzgün şekilde kapandığından emin olun.

⚠ Hasarlı contalaren kısız zamanda değiştirilmelidir.

⚠ Soğutucu bölmesini sadece taze yiyecekleri saklamak için, dondurucu bölmesini ise sadece donmuş yiyeceklerin saklanması, taze yiyeceklerin dondurulması ve buz küplerinin yapılması için kullanın.

⚠ Sarılmamış olan yiyecekleri, soğutucu veya dondurucu bölmesinin iç yüzeylerine direk temas edecek şekilde yerleştirmekten kaçının. Cihazlarda özel bölmeler (Taze Yiyecek Bölmesi, Sıfır Derece Kutusu, vb) olabilir. Bu bölmeler, ürün kitapçığında belirtilmedikçe, eşdeğer performans seviyelerini koruyarak çıkartılabilir.

## KURULUM

⚠ Cihaz, iki veya daha fazla kişi ile kaldırılmalı ve monte edilmelidir - yaralanma riski. Ambalajından çıkartırken ve monte ederken koruyucu eldiven kullanın - kesilme riski.

⚠ Su beslemesi (varsa) ve elektrik bağlantıları da dahil kurulum işlemi ve tamir işlemleri, kalifiye bir teknisyen tarafından yapılmalıdır. Kullanıcı kılavuzunda özellikle belirtilmedikçe, cihazın hiçbir parçasını tamir etmeyin veya değiştirmeyin. Çocukları montaj alanından uzak tutun.

Cihazın ambalajını açtıktan sonra, cihazın nakliye sırasında hasar görmemiş olduğundan emin olun. Sorunla karşılaşmanız halinde, satıcınız veya size en yakın yetkili servisle temasa geçin. Kurulum yapıldıktan sonra, ambalaj atıkları (plastik parçalar, köpükler, vs.) çocukların ulaşamayacağı bir yere kaldırılmalıdır - boğulma tehlikesi. Herhangi bir montaj işleminden önce, cihazın fişi elektrik prizinden çekilmelidir - elektrik çarpması riski. Kurulum işlemi esnasında, cihazın elektrik kablosuna hasar vermemesine dikkat edin - yangın veya elektrik çarpması riski. Cihazı sadece kurulum işlemi tamamlandıktan sonra çalıştırın.

⚠ Cihazı hareket ettirirken zemine (parkelere vb.) hasar vermemeye dikkat edin. Cihazı, ağırlığını taşıyacak kadar güçlü bir zemin veya destek üzerine ve ebadına ve kullanım amacına uygun bir yere kurun. Cihazı ısı kaynaklarının yakınına yerleştirmeyin ve dört ayağını gerektiği şekilde ayarlayarak dengeli hale getirin ve zemine basmasını sağlayın ve bir su terazisi kullanarak cihazın düz durumda olduğunu kontrol edin. Soğutucu devresinin tam etkinlik kazanması için, cihazı çalıştırmadan önce en az iki saat bekleyin.

⚠ Yeterli miktarda havalandırma sağlandığından emin olmak için, cihazın her iki tarafında boşluk bırakın. Sıcak yüzeylere erişimi önlemek için, cihazın arkası ile arkasında kalan duvar arasındaki mesafe 50mm olmalıdır. Bu boşluğun daha az olması, ürünün enerji tüketimini artıracaktır.

⚠ UYARI: Dengesizlik nedeniyle olabilecek bir tehlikeden kaçınmak için, cihazın konumlandırılması ve sabitlenmesi üreticinin talimatlarına uygun olarak yapılmalıdır. Buzdolabının, gazlı ocağın metal borusu, metal gaz veya su boruları ya da elektrik kabloları buzdolabının arka paneline (yoğuşturucu devresi) temas edecek şekilde yerleştirilmesi yasaktır.

⚠ Kapıların değiştirilmesi gerekirse, lütfen Teknik Destek Servisi ile temasa geçin.

### **ELEKTRİKLE İLGİLİ UYARILAR**

⚠ Cihazı, eğer fişi erişilebilir durumdaysa fişini prizden çekmek suretiyle veya priz girişine takılı ve kablo tesisatı kurallarına uygun çok kutuplu bir şalter vasıtasıyla güç kaynağından bağlantısını kesmek mümkün olmalıdır ve cihaz ulusal elektrik güvenlik standartlarına uygun olarak topraklanmalıdır.

⚠ Uzatma kabloları, çoklu prizler veya adaptörler kullanmayın. Montaj işleminden sonra elektrikli aksamlar kullanıcı tarafından erişilebilir olmamalıdır. Vücudunuz ıslak veya ayağınız çıplak haldeyken cihazı kullanmayın. Eğer elektrik kablosu veya fiş hasarlıysa, cihaz gerektiği gibi çalışmıyorsa veya hasar görmüş veya yere düşürülmüşse, bu cihazı çalıştırmayın.

⚠ Eğer elektrik kablosu hasarlı ise, tehlikeden kaçınmak amacıyla imalatçı, yetkili servis veya benzer kalifiye kişiler tarafından eşdeğer bir yenisi ile değiştirilmelidir - elektrik çarpması riski.

⚠ UYARI: Cihazı konumlandırırken, elektrik kablosunun sıkışmadığından veya hasar görmediğinden emin olun.


⚠ UYARI: Cihazın arka kısmına çoklu priz uzatması veya güç kaynakları yerleştirmeyin.

### **TEMİZLİK VE BAKIM**

⚠ UYARI: Herhangi bir bakım işlemi yapmadan önce, cihazın kapatılmış olduğundan ve fişinin prizden çekilmiş olduğundan emin olun; buharlı temizleme aygıtları asla kullanmayın - elektrik çarpması riski.

⚠ Plastik parçaları, iç ve kapak kaplamalarını veya contaları temizlemek için cam spreylere, ovarak temizleme maddeleri, yanıcı sıvılar, temizlik cilaları, konsantre deterjanlar, ağartıcılar ya da petrol ürünleri içeren temizleyiciler gibi aşındırıcı veya sert temizleyiciler kullanmayın. Kağıt havlu, ovalama pedleri veya diğer sert temizleme malzemeleri kullanmayın.


### **AMBALAJ MALZEMELERİNİN BERTARAFI**

Ambalaj malzemesi %100 dönüştürülebilir ve geri dönüştürme simgesi  ile işaretlenmiştir.

Bu nedenle, ambalajın çeşitli parçaları, çöplerin imhasına yönelik yerel yönetmeliklere tümüyle uygun ve sorumlu bir şekilde atılmalıdır.

### **ELEKTRİKLİ EV ALETLERİNİN BERTARAFI**

Bu cihaz geri dönüştürülebilir veya yeniden kullanılabilir malzemelerle üretilmiştir. Yerel atık imha yönetmeliklerine uygun olarak çöpe atılmalıdır. Elektrikli ev eşyalarının muameleleri, geri kazanımı ve geri dönüşümüyle ilgili ayrıntılı bilgi için, ilgili yerel makamlarınızla, ev atıklarını toplama hizmetleriyle veya cihazı satın aldığınız satıcı ile temasa geçin. Bu cihaz, Atık Elektrik ve Elektronik Cihazlar (WEEE) ile ilgili 2012/19/EU Avrupa Yönergesine uygun olarak işaretlenmiştir. Bu cihazın doğru şekilde imha edilmesine yardımcı olmakla, çevre ve insan sağlığı üzerindeki potansiyel olumsuz sonuçların önlenmesine yardımcı olabilirsiniz.

Cihaz veya dokümanlar üzerindeki  simgesi, bu ürünün ayrıştırılmamış belediye çöprü olarak atılmaması, WEEE'ye uygun işlenmek üzere özel bir toplama noktasına götürülmesi gerektiğini belirtir.

### **ENERJİ TASARRUFU İLE İLGİLİ İPUÇLARI**

Cihazı kuru, iyi havalandırılan bir odaya ve her hangi bir ısı kaynağından (örn. kalorifer peteği, ocak, vs.) uzağa ve doğrudan güneş ışığı almayan bir yere yerleştirin. Gerekirse, bir kalıtım plakası kullanın.

Uygun havalandırma sağlamak için, montaj talimatlarına riayet edin. Ürünün arka tarafında havalandırmanın yetersiz olması enerji tüketimini artırır ve soğutma verimini düşürür.

Kapının sıkıcaılması, Enerji Tüketimini artırabilir. Cihazın iç sıcaklığı ve Enerji Tüketimi, ortam sıcaklığından ve cihazın konumundan da etkilenebilir. Sıcaklık ayarı yaparken bu faktörler göz önünde bulundurulmalıdır.

Kapı açma sıklığını minimuma düşürün.

Donmuş yiyeceklerin buzunu çözerken, buzdolabına koyun. Donmuş ürünlerin düşük ısı, buzdolabındaki yiyecekleri soğutur. Sıcak yiyecekleri ve içecekleri cihaza koymadan önce soğumalarını bekleyin.

Rafların buzdolabına yerleştirilmesinin enerjinin etkin kullanımı üzerinde bir etkisi yoktur. Yiyecekler, uygun hava devridaimi sağlanacak şekilde raflara yerleştirilmelidir (yiyecekler birbirine temas etmemelidir ve yiyeceklerle cihazın arka paneli arasında belirli bir mesafe boşluk bırakılmalıdır).

Sepetleri ve eğer varsa Stop Frost (Donmuş Yiyecek) rafını çıkartarak donmuş yiyecekleri depolama kapasitesini artırabilirsiniz.

Bu ürünün Hızlı Kılavuzunda normal gürültü olarak tanımlanan kompresör gürültüleri konusunda endişelenmeyin.



## Eski Buzdolabınızın Uygun Şekilde Bertarafı

### ! UYARI

#### Boğulma Tehlikesi

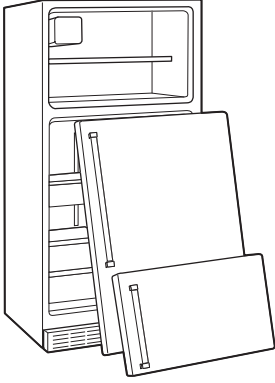
Eski buzdolabınızın kapaklarını çıkartın.

Aksi halde, ölüm veya beyin hasarı ile sonuçlanabilir.

**ÖNEMLİ:** Çocukların buzdolabında kilitli kalması ve boğulması geçmişte kalan bir sorun değildir. Atılmış veya hurdaya çıkarılmış buzdolapları, “sadece birkaç günlüğüne” bile olsa halen tehlike arz etmektedir. Eğer eski buzdolabınızı elden çıkartıyorsanız, kazaları önlemek için lütfen aşağıdaki talimatlara uyunuz.

#### Eski Buzdolabınızı veya Dondurucunuzu Atmadan Önce:

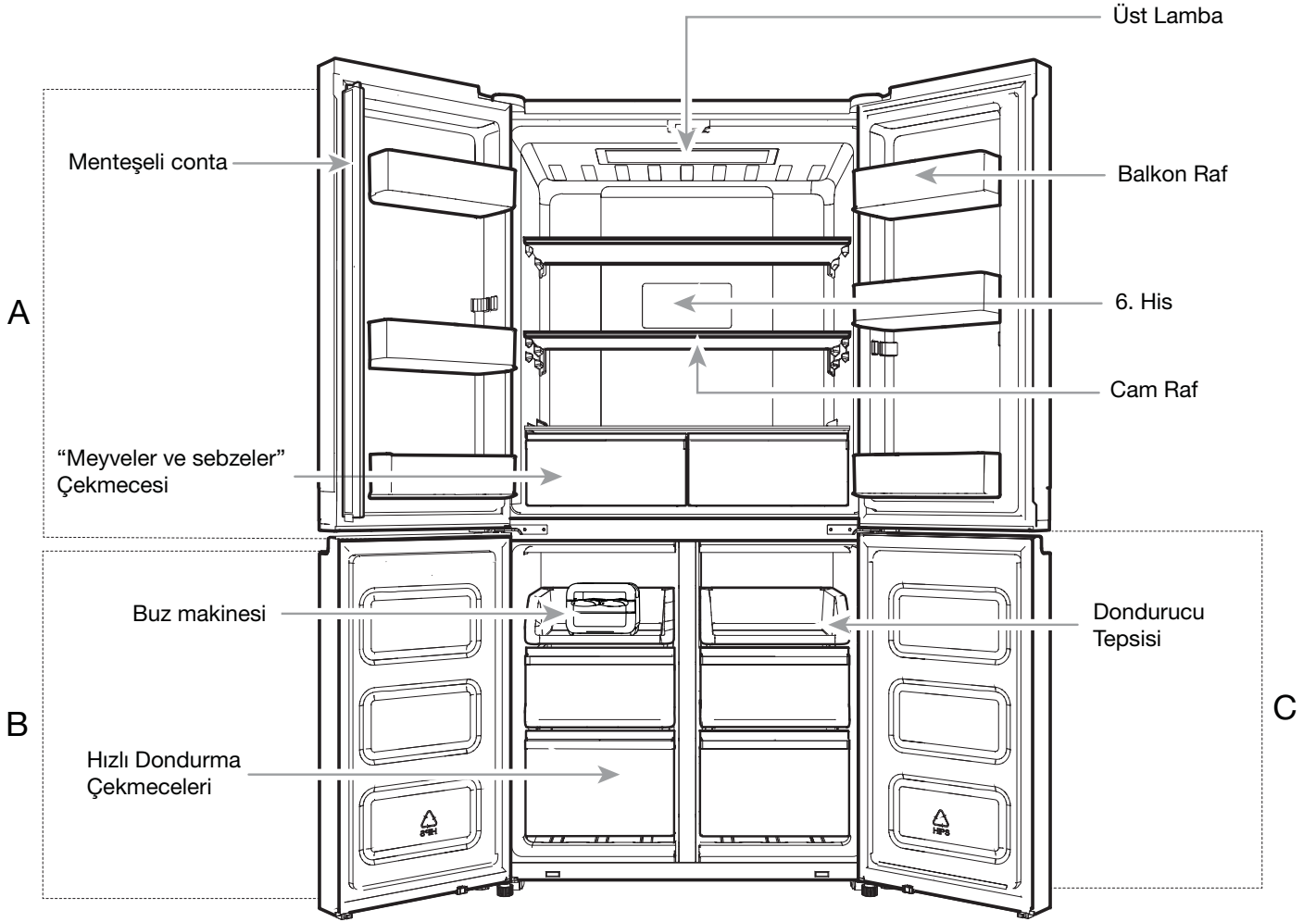
- Kağılarını çıkartın.
- Çocukların, içine kolayca girmelerini önlemek için buzdolabı raflarını yerinde bırakın.



#### Soğutucu maddelerin imhası hakkında bilmeniz gereken önemli bilgiler:

Buzdolabını Federal ve Yerel kanunlara uygun olarak imha/bertaraf edin. Soğutucu maddeler, lisanslı bir soğutucu teknisyeni tarafından, belirlenmiş prosedürlere uygun olarak tahliye edilmelidir.

## PARÇALAR VE ÖZELLİKLER




- A . Soğutucu
- B . Dondurucu
- C . Flexi Dondurucu (sadece WQ9 B1L, 6WM591NIHAS ve WQ70900SXX modellerinde)

# MONTAJ TALİMATLARI

## Başlangıç MONTAJ KONTROL LİSTESİ

### ✓ Elektrik Gücü

**⚠ UYARI**



**Elektrik Çarpması Tehlikesi**  
**Topraklaması olan (topraklı) bir prize takın.**  
**Toprak hattını çıkartmayın.**  
**Bir adaptör kullanmayın.**  
**Bir uzatma kablosu kullanmayın.**  
**Bu talimatlara uyulmaması, ölüm, yangın veya elektrik çarpması ile sonuçlanabilir.**

- Buzdolabının fişini topraklı bir prize takın.

### ✓ Kapılar

- Montaj esnasında kapıların çıkartılması gerekirse, "Buzdolabı Kapılarının Çıkartılması ve Değiştirilmesi" ve "Dondurucu Kapı Önlerinin Çıkartılması ve Değiştirilmesi" bölümlerine bakın.
- Kapılar tam kapanıyor.
- Buzdolabı düz. Düzleme ayaklarını, zemine tam basacak şekilde ayarlayın.
- Kapıların üst kısımları eşit seviyede. (Gerekirse kapı hizalama özelliğini kullanın).

### ✓ Son Kontroller

- Tüm nakliye malzemelerini çıkartın.
- Sıcaklık kumandalarını önerilen değerlere ayarlayın.
- Talimatları ve diğer kitapçıkları saklayın.
- Daha iyi ve eksiksiz bir yardım almak için, lütfen ürününüzü kaydedin: [www.whirlpool.eu/register](http://www.whirlpool.eu/register).

## Buzdolabının Ambalajından Çıkartılması

### ⚠ UYARI

#### Aşırı Ağırlık Tehlikesi

**Buzdolabını taşımak ve monte etmek için iki veya daha fazla kişi kullanın.**

**Aksi halde beliniz veya başka bir yeriniz sakatlanabilir.**

### Buzdolabı Teslimatı

En az 838 mm'lik (33") bir kapı açıklığı gereklidir. Eğer kapı açıklığı 914 mm (36") veya daha az ise, kapıların, çekmecenin ve menteşelerin çıkartılması gerekir.

Buzdolabını tüm kapı açıklıkları için buzdolabını yan kısımdan taşıyın.

### Buzdolabınızı Taşırken:

Buzdolabınız ağırdır. Temizlik veya servis için buzdolabını taşırken, zeminin zarar görmemesi için zemine karton veya elyaf levhası koyun. Buzdolabını taşırken daima düz bir şekilde çekin. Buzdolabını taşımaya çalışırken buzdolabını değişik hareketlerle oynatmayın veya "yürütmeyin", aksi halde zemin zarar görebilir.

### Ambalajdan Çıkartma

- Buzdolabını çalıştırmadan önce, yüzeylerindeki bant ve tutkal kalıntılarını temizleyin. Az miktarda sıvı bulaşık deterjanını parmaklarınızla yapışkanlı yüzeye uygulayarak ovun. Ilık su ile silin ve kurulayın.
- Bant veya tutkal kalıntılarını temizlemek için keskin aletler, temizleme alkolü, yanıcı sıvılar veya aşındırıcı temizleyiciler kullanmayın. Bu ürünler, buzdolabınızın yüzeyine zarar verebilir.
- Tüm ambalaj malzemelerini imha edin/geri dönüşüme gönderin.

### Kullanım Öncesi Temizlik

Tüm ambalaj malzemelerini çıkarttıktan sonra, buzdolabınızı kullanmadan önce içini temizleyin. "Buzdolabı Bakımı" bölümündeki temizlik talimatlarına bakın.

### Cam raflar ve kapaklar hakkında önemli bilgiler:

Cam raflar veya kapaklar soğuk haldeyken ılık su ile temizlemeyin. Ani ısı değişimlerine veya darbe gibi etkilere maruz kalmaları halinde raflar ve kapaklar kırılabilir. Tavlı cam, birçok küçük ve çakıl boyutunda parçalara ayrılacak şekilde tasarlanmıştır. Bu normaldir. Cam raflar ve kapaklar ağırdır. Düşmemeleri için, bunları çıkartırken her iki elinizi de kullanın.

## Konum Gereklilikleri

### ⚠ UYARI



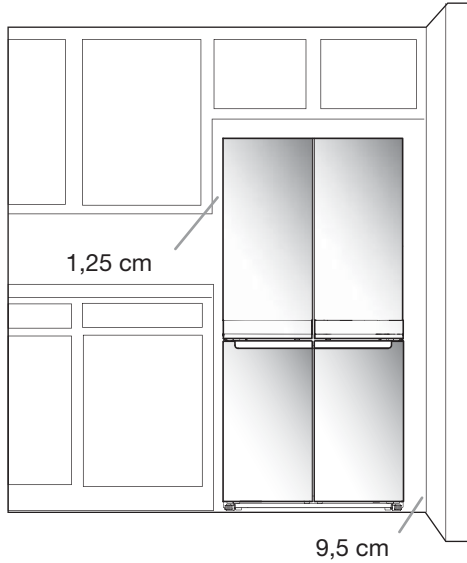
#### Patlama Tehlikesi

Benzin gibi yanıcı maddeleri ve buharları buzdolabından uzak tutun.

Aksi halde, ölüm, patlama veya yangın ile

Buzdolabınızın uygun şekilde havalandırılması için, buzdolabının her iki yanında ve üst kısmında 1.25 cm boşluk bırakın. Buzdolabının arka kısmında 5 cm'lik bir boşluk bırakın. Buzdolabınızın buz makinesi özelliği varsa, su hattı bağlantıları için arka kısımda ekstra boşluk bırakın. Buzdolabınızı sabit bir duvarın yanına monte ederken, kapağının açılabilmesi için buzdolabı ile duvar arasında en az 9.5 cm boşluk bırakın.

**NOT:** Bu buzdolabı, sıcaklığın minimum 10°C ile maksimum 43°C arasında olduğu bir yerde kullanılmak üzere tasarlanmıştır. Cihazın en uygun performansı göstermesi, elektrik tüketiminin azaltılması ve üstün soğutma kalitesi elde edilmesi için, tercih edilen oda sıcaklığı aralığı 15°C ila 32°C'dir. Buzdolabını, bir fırın veya kalorifer peteği gibi bir ısı kaynağının yakınına monte etmemeniz önerilir.



## Elektriksel Gereklilikler

### ⚠ UYARI



#### Elektrik Çarpması Tehlikesi

Topraklaması olan (topraklı) bir prize takın.

Toprak hattını çıkartmayın.

Bir adaptör kullanmayın.

Bir uzatma kablosu kullanmayın.

**Bu talimatlara uyulmaması, ölüm, yangın veya elektrik çarpması ile sonuçlanabilir.**

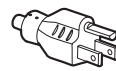
**ÖNEMLİ:** Montaj ve elektrik bağlantısı, kalifiye bir teknisyen tarafından, üretici firmanın talimatlarına ve yerel güvenlik mevzuatlarına uygun bir şekilde yapılmalıdır.

- Buzdolabı, 220-240 Volt, 10 A, 50/60 Hz'lik ayrı bir hat üzerinde çalışmak üzere tasarlanmıştır.
- Bilgi etiketinde belirtilen gerilim değerinin, evinizdeki gerilime uygun olup olmadığını kontrol edin.
- Cihazın elektrik bağlantısını, fişini prizden çekmek suretiyle veya prize takılacak iki kutuplu bir anahtar vasıtasıyla kesmek mümkün olmalıdır.
- Eğer elektrik kablosu hasarlı ise, tehlikeden kaçınmak amacıyla imalatçı, yetkili servis veya benzer kalifiye kişiler tarafından değiştirilmelidir.

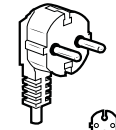
Buzdolabınızı nihai konumuna taşımadan önce, uygun bir elektrik bağlantısına sahip olduğunuzdan emin olmak önemlidir:

#### Önerilen Topraklama Yöntemi

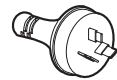
220-240 Volt 50 Hz, 220 Volt 60 Hz veya 230/240 Volt 50 Hz AC sadece 10 A sigortalı ve topraklı elektrik beslemesi gereklidir.



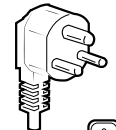
B Tipi



E ve F Tipi



I Tipi



M Tipi



G Tipi

#### Avustralya ve Yeni Zelanda için:

Yeni cihazınız, tüm Avustralya Standartlarına ve Koşullarına uygun olacak şekilde özel olarak üretilmiştir.

Montaj talimatındaki bazı gösterimler/bildirimler, diğer ülkelerdeki elektrik gerekliliklerini işaret ediyor olabilir, dolayısıyla dikkatinizi özellikle bu özel notlara çekmek isteriz.

Cihazınızın bir 230/240 Volt 50 Hz AC sadece 10 A topraklı prize takılması gerekir.

## Elektriksel Gereklilikler (sadece İngiltere ve İrlanda için)

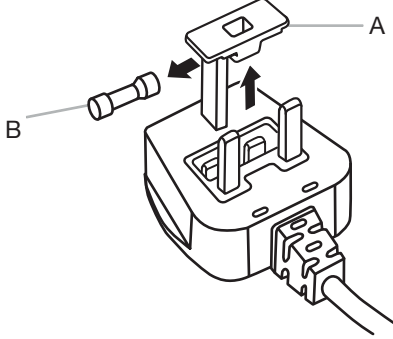
**ÖNEMLİ:** Bu buzdolabı topraklanmalıdır.

### Sigortanın Değiştirilmesi

Buzdolabının elektrik kablosu BS1363A, 13 A sigortalı fişle donatılmıştır; bu tip bir fişin sigortasını değiştirmek için, A.S.T.A. onaylı BS 1362 tipi bir sigorta kullanın ve aşağıdaki işlemleri yapın:

1. Sigorta kapağını (A) ve sigortayı (B) çıkartın.
2. Yedek 13 A sigortayı sigorta kapağının içine takın.
3. Hem sigortayı hem de kapağını tekrar fişe monte edin.

**ÖNEMLİ:** Sigorta kapağı, sigortayı değiştirirken geri takılmalıdır. Eğer sigorta kapağı kaybolursa, doğru tip kapak takılana kadar fiş kullanılmamalıdır. Doğru değiştirme işlemi, fişin taban kısmına işlenmiş renk baskısı veya renkli "kelime" ile belirlenir. Yedek sigorta kapaklarını bölgenizdeki elektrik ürünleri satan dükkanlardan temin edebilirsiniz.



A. Sigorta kapağı  
B. Sigorta

### (Sadece) İrlanda Cumhuriyeti için:

İngiltere ile ilgili olarak verilen bilgiler çoğunlukla geçerlidir, fakat üçüncü bir fiş ve priz tipi de kullanılmaktadır; 2-pimli, yan taraftan topraklı tip.

### Priz/Fiş (her iki ülke için de geçerli):

Eğer takılan fiş prizinize uygun değilse, daha fazla bilgi için Yetkili Servisle İLETİŞİME GEÇİN. Fişi kendi başınıza değiştirmeye çalışmayın. Bu prosedürün, üreticinin talimatlarına ve geçerli standart güvenlik kanunlarına uygun olarak kalifiye bir teknisyen tarafından uygulanması gerekir.

## Sıcaklık

Bu buzdolabı, anma değerleri plakasında belirtilen iklim sınıfına göre belirli sıcaklık aralıklarında çalışmak üzere tasarlanmıştır. Buzdolabı, değer aralığının dışındaki bir sıcaklıkta uzun süre kalırsa, düzgün bir şekilde çalışmayabilir.

**NOT:** Buzdolabını, bir fırın veya kalorifer peteği gibi bir ısı kaynağının yakınına monte etmemeniz önerilir.

İklim Sınıfı	Ortam Sıcaklığı (°C)	Ortam Sıcaklığı (°F)
SN	10 ile 32 arası	50 ile 90 arası
N	16 ile 32 arası	61 ile 90 arası
ST	16 ile 38 arası	61 ile 100 arası
T	16 ile 43 arası	61 ile 110 arası

## Buzdolabı Kapaklarının Çıkarılması ve Değiştirilmesi

**NOT:** Buzdolabınızı evinize taşımak için kapılarını sökmeniz gerekip gerekmeyeceğini anlamak için, kapı açıklığının genişliğini ölçün. Eğer kapının sökülmesi gerekirse, aşağıdaki talimatları takip edin.

**ÖNEMLİ:** Buzdolabı daha önceden monte edilmiş ve onu evinizden çıkartacaksınız, kapılarını çıkartmadan önce buzdolabı kumandalarını kapalı duruma getirin. Buzdolabının fişini çekin veya elektriğini kesin. Yiyecekleri, ayarlanabilir kapağı veya kapaklardaki malzeme çekmecelerini çıkartın.

Kapıları sökmeden önce gerekli aletleri alın ve tüm talimatları okuyun.

**GEREKLİ ALETLER:** 6 mm altıgen başlı somun anahtarı, 5 mm altıgen başlı somun anahtarı ve #2 yıldız tornavida.



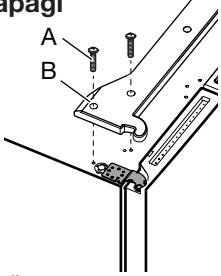
### ⚠ UYARI

#### Elektrik Çarpması Tehlikesi

Kapakları çıkartmadan önce elektriği kesin.

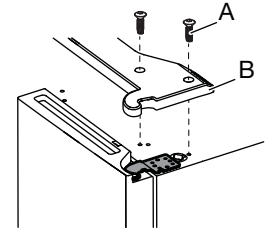
Aksi halde, ölüm veya elektrik çarpması ile sonuçlanabilir.

#### Üst Sol Menteşe Kapağı



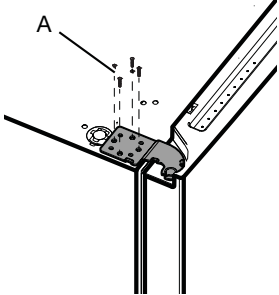
- A. Üst Menteşe Kapağı Vidaları
- B. Üst Menteşe Kapağı

#### Üst Sağ Menteşe Kapağı



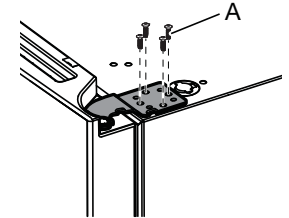
- A. Üst Menteşe Kapağı Vidaları
- B. Üst Menteşe Kapağı

#### Üst Sol Menteşe



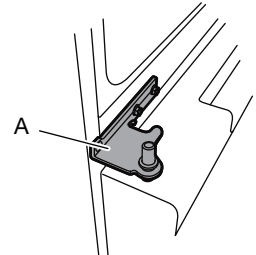
- A. 5 mm altıgen başlı vidalar

#### Üst Sağ Menteşe



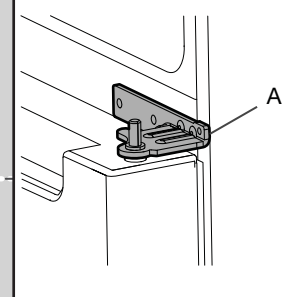
- A. 5 mm altıgen başlı vidalar

#### Orta Sol Menteşe



- A. Menteşe

#### Orta Sağ Menteşe



- A. Menteşe



## ⚠ UYARI

### Aşırı Ağırlık Tehlikesi

Buzdolabının kapısını kaldırmak için iki veya daha fazla kişi gereklidir.

Aksi halde beliniz veya başka bir yeriniz sakatlanabilir.

### Buzdolabı Kapılarının Çıkarılması

## ⚠ UYARI



### Elektrik Çarpması Tehlikesi

Kapakları çıkartmadan önce elektriği kesin.

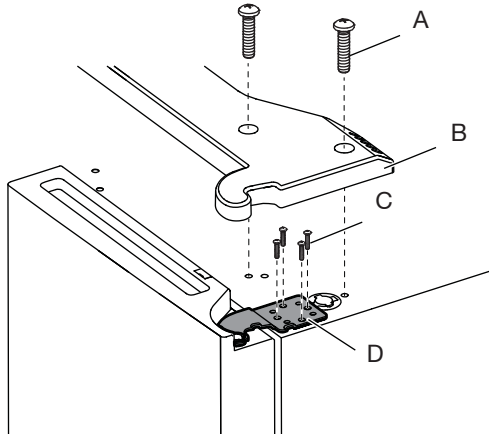
Aksi halde, ölüm veya elektrik çarpması ile sonuçlanabilir.

### Sağ Kapının Çıkarılması

1. Buzdolabının fişini çekin veya elektriğini kesin.
2. Kabininden çıkartıp kaldırmaya hazır olana kadar buzdolabının kapaklarını kapalı tutun.

**NOT:** Menteşeleri çıkartırken, buzdolabı kapağına ek destek sağlayın. Çalışma esnasında kapağı yerinde tutması için sadece kapak conta mıknatıslarına güvenmeyin.

3. Bir yıldız tornavida kullanarak üst menteşenin kapağını çıkartın.
4. 5 mm altıgen başlı somun anahtarı ile, üst menteşedeki dört vidayı sökün ve bir kenara koyun.



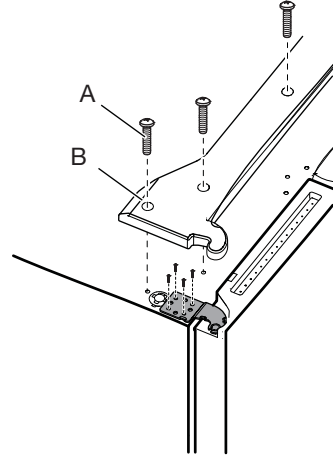
- A. Üst menteşe kapağı vidası  
B. Üst menteşe kapağı  
C. 5 mm altıgen başlı vidalar  
D. Üst menteşe

5. Buzdolabı kapağını orta menteşe piminden kaldırın. Üst menteşe, kapı ile birlikte çıkacaktır.

### Sol Kapının Çıkarılması

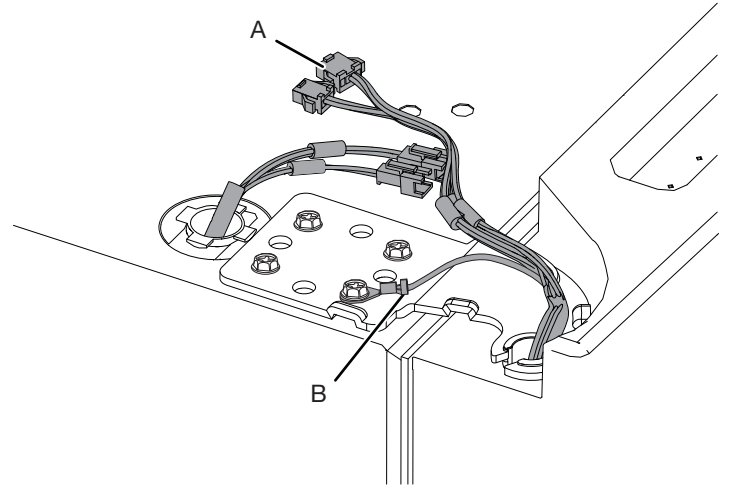
**ÖNEMLİ:** Kullanıcı arayüzü kabloları sol kapı menteşesinin içinden geçmektedir, dolayısıyla kapı çıkartılmadan önce bunların bağlantısı sökülmalıdır.

1. Bir yıldız tornavida kullanarak üst menteşenin kapağını çıkartın.



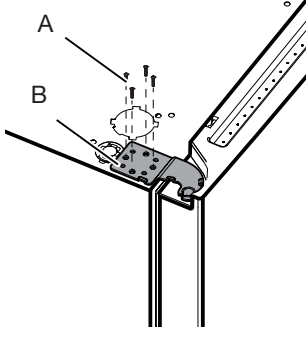
- A. Üst menteşe kapağı vidası  
B. Üst menteşe kapağı

2. Kapı menteşesinin üstünde bulunan iki kablo soketini çıkartın.
  - Kablo soketlerini iki yanından tutun. Başparmağınızla bastırarak kilidinden kurtarın ve soketlerini çekerek ayırın.



- A. Kablo Soketi  
B. Toprak (topraklama) konnektörü

- 5 mm altıgen başlı somun anahtarı ile, üst menteşedeki dört dahili vidayı sökün ve bir kenara koyun.



A. 5 mm altıgen başlı vidalar  
B. Üst Menteşe

**NOT:** Menteşeleri çıkartırken, buzdolabı kapağına ek destek sağlayın. Çalışma esnasında kapağı yerinde tutması için sadece kapak conta mıknatıslarına güvenmeyin.

- Buzdolabı kapağını alt menteşe piminden kaldırın. Üst menteşe, kapı ile birlikte çıkacaktır.

**NOT:** Buzdolabını bir kapıdan geçirmek için, alt menteşeleri ve fren ayaklarını çıkartmak gerekebilir.

- Sadece gerekirse, orta menteşeyi çıkartmak için 6 mm altıgen başlı somun anahtarı ve #2 yıldız tornavida kullanın.

#### Sağ Buzdolabı Kapısının Değiştirilmesi

- Sağ kapıyı orta menteşe pimine geçirin.
- Üst menteşe pimini buzdolabı kapısının üstündeki açık deliğe geçirin.
- Dört adet 5 mm altıgen başlı vida kullanarak, menteşeyi kabine sabitleyin. Vidaları sonuna kadar sıkmayın.

#### Sol Buzdolabı Kapısının Değiştirilmesi

- Sol kapıyı orta menteşe pimine geçirin.
- Dört adet 5 mm altıgen başlı vida kullanarak, menteşeyi kabine sabitleyin. Vidaları sonuna kadar sıkmayın.
- Elektrik kablolarını bağlayın.
  - Kablo soketlerini birbirine doğru itin.
  - Toprak kablosunu menteşe vidasına geri bağlayın.

#### Son İşlemler

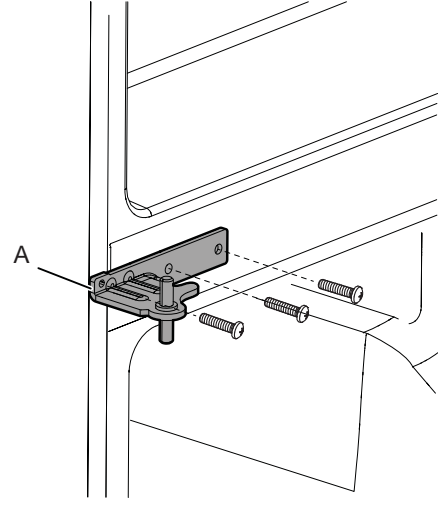
- Sekiz adet 5 mm altıgen başlı vidayı tam olarak sıkın.
- Üst menteşe kapaklarını takın.

## Dondurucu/Flexi Dondurucu Kapısının Sökülmesi ve Takılması

- Kabininden çıkartıp kaldırmaya hazır olana kadar, dondurucunun kapaklarını kapalı tutun.

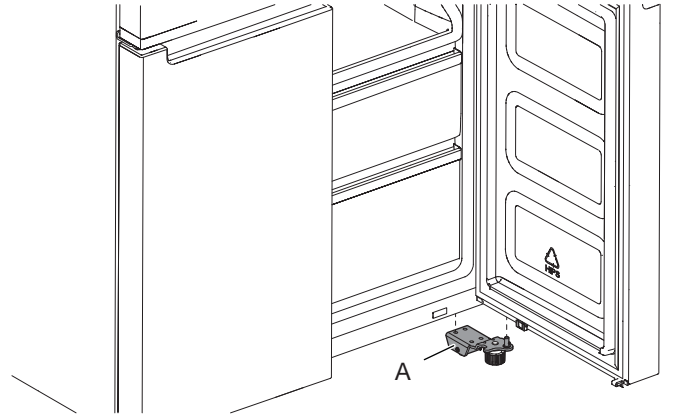
**NOT:** Menteşeleri çıkartırken, dondurucu kapağına ek destek sağlayın. Çalışma esnasında kapağı yerinde tutması için sadece kapak conta mıknatıslarına güvenmeyin.

- Bir #2 yıldız tornavida ve 6 mm altıgen başlı somun anahtarı kullanarak, orta menteşeyi kabinde çıkartın.



A. Orta menteşe

- Dondurucu kapağını alt menteşe piminden kaldırın.



A. Alt menteşe

## ⚠ UYARI



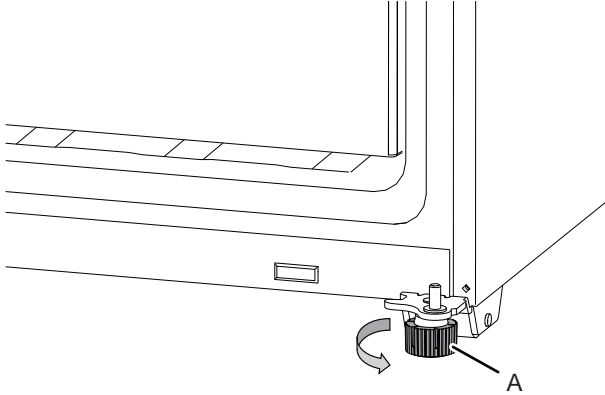
### Elektrik Çarpması Tehlikesi

- Topraklaması olan (topraklı) bir prize takın.
- Toprak hattını çıkartmayın.
- Bir adaptör kullanmayın.
- Bir uzatma kablosu kullanmayın.
- Bu talimatlara uyulmaması, ölüm, yangın veya elektrik çarpması ile sonuçlanabilir.

1. Topraklaması olan (topraklı) bir prize takın.
2. Tüm portatif aksesuarları geri takın ve yiyecekleri çekmecelere yerleştirin.

## Buzdolabının Düzlük Ayarlaması

1. Buzdolabını nihai konumuna yerleştirin.
2. Fren ayaklarını elinizle döndürün. Tekerleklerin zeminle teması kesilene ve her iki fren ayağı da yere oturana kadar bunları saatin tersi yönde döndürün. Bu işlem, kapılarını açtığınızda buzdolabının öne doğru hareket etmesini önler.



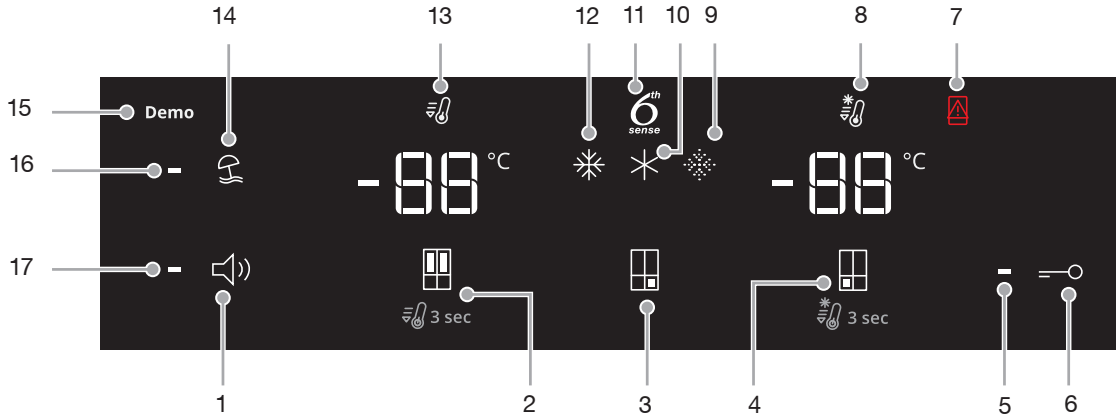
A. Fren ayakları

**ÖNEMLİ:** Fren ayakları ile daha fazla ayarlama yapmanız gerekirse, buzdolabının düz kalması için her iki fren ayağını da aynı miktarda döndürmelisiniz.

3. Buzdolabının yanlara ve öne/arkaya doğru düz durduğundan emin olmak için bir terazi kullanın.

## Kumandaların Kullanımı

Dokunmatik kumandalar, buzdolabının sol kapısının üstünde bulunmaktadır. Kontrol paneli, çeşitli düğmeler ve göstergeler hakkında bilgiler içerir. Soğutucu ve dondurucu bölme sıcaklığı göstergeleri, son sıcaklık ayar noktasını gösterir.



1. Ses AÇMA/KAPAMA Düğmesi
2. Soğutucu Sıcaklık Düğmesi (Hızlı Soğutma için 3 sn basılı tutun)
3. Flexi Dondurucu Ön-ayarlı Sıcaklık Düğmesi (sadece WQ9 B1L, 6WM591NIHAS ve WQ70900SXX modellerinde)
4. Dondurucu Sıcaklık Düğmesi (Hızlı Dondurma için 3 sn basılı tutun)
5. Tuş Kilidi Göstergesi
6. Tuş Kilidi Düğmesi
7. Kapı Açık Göstergesi
8. Hızlı Dondurma Göstergesi
9. Soft Dondurucu Göstergesi (sadece WQ9 B1L, 6WM591NIHAS ve WQ70900SXX modellerinde)
10. Mild Dondurucu Göstergesi (sadece WQ9 B1L, 6WM591NIHAS ve WQ70900SXX modellerinde)
11. 6. His Göstergesi
12. Hard Dondurucu Göstergesi (sadece WQ9 B1L, 6WM591NIHAS ve WQ70900SXX modellerinde)
13. Hızlı Soğutma Göstergesi
14. Tatil Modu Düğmesi
15. Demo Modu Göstergesi (sadece WQ9 B1L, 6WM591NIHAS ve WQ70900SXX modellerinde)
16. Tatil Modu Göstergesi
17. Ses Göstergesi

Kontrol Paneli, bir dakika işlem yapılmadığında otomatik olarak sönecektir. Kontrol panelini aktive etmek için herhangi bir tuşa basın.

### -88 Sıcaklık ayar Noktalarının Görüntülenmesi ve Ayarlanması

#### Soğutucu ve Dondurucu Bölmesi Sıcaklığının Ayarlanması:

Rahatlığınız için, soğutucu ve dondurucu kumandalarının ön ayarı fabrikada yapılmıştır.

Buzdolabınızı ilk kez monte ettiğinizde, kumandaların önerilen ayar noktalarına ayarlı durumda olduğundan emin olun. Fabrika tarafından önerilen ayar noktaları, soğutucu için 3°C ve dondurucu için -18°C'dir.

Soğutucu veya Dondurucu Sıcaklık düğmesine basıldığında, sıcaklık ayar noktaları Celsius (°C) cinsinden gösterilir.

#### ÖNEMLİ:

- Buzdolabına yiyecek koymadan önce 24 saat bekleyin. Yiyecekleri buzdolabı tam olarak soğumadan önce koyarsanız yiyecekleriniz bozulabilir.  
**NOT:** Ayar noktalarının önerilen ayardan daha soğuk bir değere ayarlanması, bölmelerin daha hızlı soğumasını sağlamaz.
- Eğer buzdolabı veya dondurucudaki ısı çok sıcaksa veya çok soğuksa, kumandaları ayarlamadan önce hava menfezlerini kontrol ederek tıkanmamış olduklarından emin olun.
- Önerilen değerler normal ev içi kullanım için doğru olmalıdır. Süt veya meyve suları istediğiniz şekilde soğuk hale gelmişse ve dondurma tam kıvamında ise, kumandalar doğru ayarlanmış demektir.  
**NOT:** Garaj, bodrum veya veranda gibi alanlar, daha yüksek nem oranına veya aşırı sıcaklıklara sahip olabilir. Bu koşullara uyum sağlamak açısından, sıcaklık ayarını önerilen ayarlardan daha farklı değerlere ayarlamamız gerekebilir.
- Ayarlamalar arasında en az 24 saat bekleyin. Diğer ayarları yapmadan önce, sıcaklıkları yeniden kontrol edin.

### 6. His Tazelik Kilidi ve Dondurma Kontrolü

6. HİS Tazelik Kilidi sensörü, taze yiyecekleri daha uzun süre ve en doğal şekilde korumak için hassas ve istikrarlı sıcaklık kontrolü sağlar. Bir sıcaklık değişimi tespit edildiğinde, sensör, hızlı bir şekilde eski sıcaklığı döndürmeyi sağlayan bir kompresörü aktive eder.
6. HİS Dondurma sensörü, yenilikçi bir sıcaklık yönetim sistemi sayesinde dondurucudaki sıcaklık dalgalanmalarını minimuma indirir. Yiyeceklerin kalitesini ve rengini korumak için, don yanıkları azaltılır.

### \* \* \* Flexi Dondurucu Ayarı (sadece WQ9 B1L, 6WM591NIHAS ve WQ70900SXX modellerinde)

Flexi Dondurucu fonksiyonu, Flexi dondurma bölümü için ön-ayarlı sıcaklığa geçiş yapmanızı sağlar.

Sembol	Fonksiyon	Sıcaklık
❄️	Geleneksel dondurucu	-18°C
❄️	Mild dondurucu	-12°C
❄️	Soft dondurucu	-7°C

\* En soğuk ayarı (-20°C) aktive etmek/devre dışı bırakmak için, Flexi Dondurucu Ön-Ayar Sıcaklığı Düğmesine 3 saniye basılı tutun.

### Çoklu Sıcaklık Ayarının Yapılması

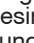
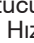
- Geleneksel dondurucu (-18°C): Hali hazırda donmuş yiyecekler ve taze yiyecekler (maks. 12 ay)
- Mild dondurucu (-12°C): Hali hazırda donmuş yiyecekler (maks. 1 ay)
- Soft dondurucu (-7°C): Hali hazırda donmuş yiyecekler (maks. 1 hafta)

**Sıcaklık ayar noktalarını ayarlarken, rehber olarak aşağıdaki tabloyu kullanın:**

KOŞUL	SICAKLIK AYARI
Buzdolabı çok soğuk	Buzdolabı ayarı 1° yüksek
Buzdolabı çok sıcak	Buzdolabı ayarı 1° düşük
Dondurucu çok soğuk	Dondurucu ayarı 1° yüksek
Dondurucu çok sıcak/ çok az buz var	Dondurucu ayarı 1° düşük



### Hızlı Soğutma

Hızlı Soğutma özelliği, buzdolabı çok kullanıldığında, sebzelik tam dolu olduğunda veya geçici sıcak oda koşullarında yardımcı olur.

- Hızlı Soğutma özelliğini aktive etmek için, Soğutucu Sıcaklık düğmesine  basın ve 3 saniye basılı tutun. Özellik aktif olduğunda, Hızlı Soğutma simgesi yanacaktır. Hızlı Soğutma özelliği, manuel olarak kapatılmadığı sürece 2 saat boyunca aktif kalacaktır.
- Hızlı Soğutma özelliğini manuel olarak kapatmak için, Soğutucu Sıcaklık düğmesine  basın ve 3 saniye basılı tutun. Hızlı Soğutma simgesi, özellik aktif olmadığında sönmek olacaktır.
- Soğutucu sıcaklığının ayarlanması, Hızlı Soğutma özelliğini otomatik olarak devre dışı bırakacaktır.

### Hızlı Soğutma

24 Saat içerisinde dondurulabilecek taze yiyeceklerin miktarı (kg olarak), cihazın bilgi etiketinde gösterilmiştir.

- Taze yiyecekleri dondurucu bölmesine yerleştirmeden 24 saat önce, Dondurucu Sıcaklık düğmesine  3 saniye basılı tutun (Hızlı Dondurma Göstergesi yanana kadar). Taze yiyecekleri dondurucuya yerleştirdikten sonra, Hızlı Dondurma fonksiyonunun 24 saat çalışması yeterlidir; Hızlı dondurma fonksiyonu 50 saatlik çalışmanın ardından otomatik olarak kapanır.
- Hızlı Dondurma özelliğini manuel olarak kapatmak için, Dondurucu Sıcaklık düğmesine  basın ve 3 saniye basılı tutun. Hızlı Dondurma simgesi sönecektir.
- Dondurucu sıcaklığının ayarlanması, Hızlı Dondurma özelliğini otomatik olarak devre dışı bırakacaktır.

### Tatil Modu

Bu mod, cihazınız düzenli kullanılmadığında (örneğin siz tatildeyken) enerjinin boşa harcanmasını önlemek için tasarlanmıştır.

Bu fonksiyonu seçtiğinizde, soğutucu bölmesinin sıcaklığı (RC) otomatik olarak en sıcak ayar noktasına ayarlanacaktır.

- Tatil modunu kullanmak için, Tatil modu göstergesi ekranda yanana kadar mod düğmesine basılı tutun.
- Tatil modundan çıkmak için, mod simgesi ekrandan kaybolana kadar mod düğmesine basılı tutun.
- Soğutucu sıcaklığının ayarlanması, Tatil Modu özelliğini otomatik olarak devre dışı bırakacaktır.

**ÖNEMLİ: Bu mod seçilirse, tüm yiyeceklerin ve içeceklerin soğutucu bölmesinden çıkartılması gereklidir.**

### Ses AÇMA-KAPATMA

Sesli Bildirimi açmak/kapatmak için düğmeye basın.

### Tuş Kilidi

- Kilit özelliğini aktive etmek için, Kilit düğmesine basın ve 3 saniye basılı tutun.
- Kilidi devre dışı bırakmak için, Kilit düğmesine basın ve 3 saniye basılı tutun.

Kullanıcı kontrol panelinin kilidini açana kadar, kilit özelliği kontrol paneli ile tüm etkileşimi göz ardı edecektir. Bu özellik, ayarların kazara değiştirilmesini önlemek içindir.

### **Demo Modu (yalnızca WQ9 B1L, 6WM591NIHAS ve WQ70900SXX)**

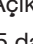
Bu mod, bir perakende mağazada vitrinde sergilenirken veya soğutmayı kapatmak ve diğer tüm fonksiyonları (iç aydınlatma hariç) devre dışı bırakmak istediğinizde kullanılır.

Demo modu, uzun bir tatile giderken kullanılabilir. Buzdolabınızı uzun bir süre bu modda bırakmakla ilgili bilgi için, "Tatil ve Taşınma Bakımı" bölümüne bakın.

- Demo modunu aktive ederseniz, ekranda "Demo" simgesi yanacaktır.
- Ses Açma veya Kapatma düğmesine ve Kilit düğmesine aynı anda basıp 3 saniye basılı tutarak Demo moduna geçebilir veya Demo modundan çıkabilirsiniz.

### **Ek özellikler**

#### Kapı Açık Alarmı

- Kapı Açık Alarmı dört kapaktan herhangi biri 2 dakika veya daha fazla açık kaldığında sesli bir alarm verilmesini ve "Kapı Açık" simgesinin  yanıp sönmelerini sağlar.
- Alarm 5 dakikada bir çalar. Susturmak için tüm kapakları kapatın.

**NOT:** Kapılar açıkken, örneğin buzdolabının içini temizlerken, sesli alarmın sesini kesmek için, kontrol panelindeki herhangi bir düğmeye dokununuz. Alarm sesi geçici olarak kesilecektir, fakat Kapı Açık simgesi kontrol panelinin ekranında görüntülenmeye devam edecektir.

### **Buzdolabının Aydınlatması**

Buzdolabı, kapısı her açıldığında yanan bir dahili lamba ile donatılmıştır.

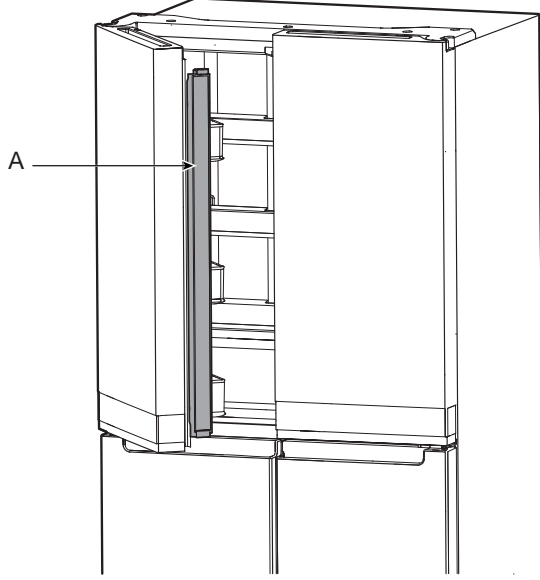
**NOT:** Lamba, değiştirilmesi gerekmeyen bir LED lambadır. Kapı açıldığında LED yanmazsa, değiştirmesi için servisi arayın.

# BUZDOLABI KULLANIMI

## Kapakların Açılması ve Kapatılması

İki buzdolabı bölmesi kapağı modeli mevcuttur. Kapaklar, birbirinden bağımsız veya birlikte açılıp kapatılabilir. Sol buzdolabı kapağında, dikey menteşeli bir conta mevcuttur.

- Sol kapak açıldığında, menteşeli conta otomatik olarak içeriye doğru katlanır, böylece engel teşkil etmez.
- Her iki kapak da kapatıldığında, menteşeli conta iki kapak arasında otomatik olarak bir conta görevi görür.

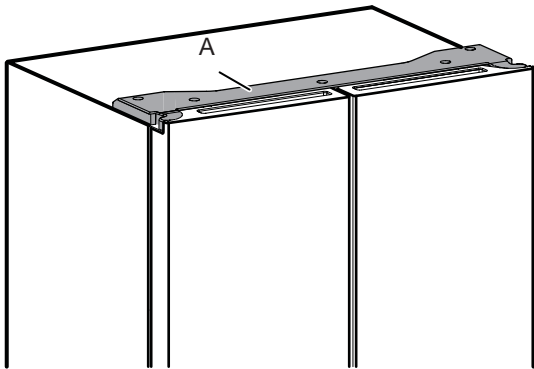


A. Menteşeli conta

Soğutucu bölmesi kapı sivici, üst sol ve sağ menteşe kapağında bulunmaktadır.

- Dondurucu ve Çoklu Sıcaklık Bölgesi için, kapı sivici alt tirizde bulunur.
- Kapı sivici, kapının açıldığını/kapandığını algılamak için mıknatıs kullanır.
- Menteşe kapağının 7.62 cm yakınında hiçbir mıknatıs veya elektronik cihaz (Hoparlör, Coolvox® vs.) bulunmadığından emin olun.

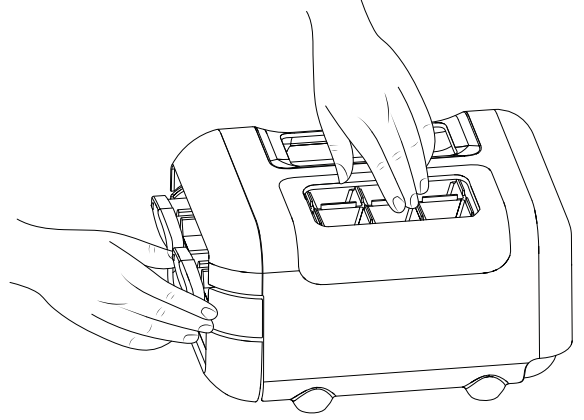
**NOT:** Lamba, kapının açılması tespit edilmezse yanmayacaktır.



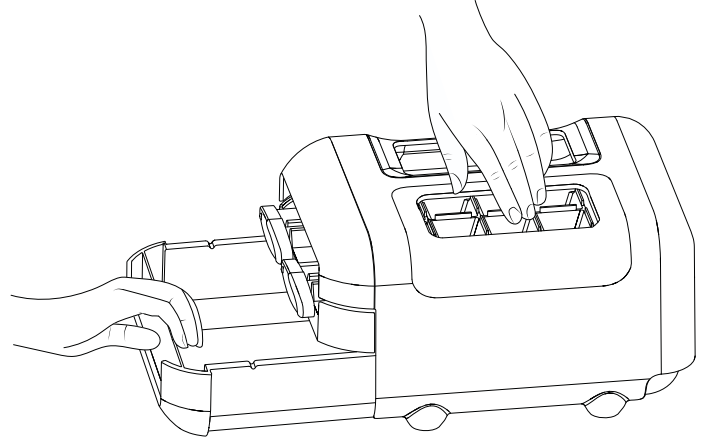
A. Menteşe kapağı

## Buz Makinesi

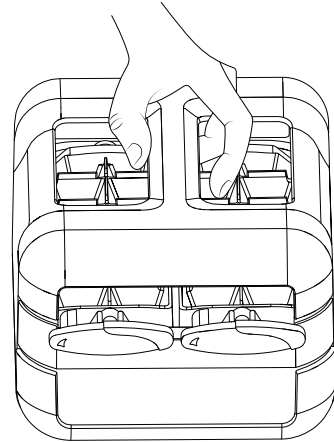
- Buz yapmak için, buz kabına arıtılmış su doldurun ve Manuel Buz makinesini Dondurucunun üst rafına yerleştirin. Buz oluşana kadar bekleyin ve buz hazır olduğunda, buz küplerinin buz kabına çıkartılması için düğmelerini saat yönünde döndürün.



- Buz küplerine erişmek için, buz kabını hafifçe kaldırın ve buz kabını çekip çıkartın.



Manuel buz makinesi, buz gerekmediğinde dondurucudan çıkartılarak dondurucuda daha fazla alan elde edilebilir.



## Yiyeceklerin Saklanması

### Yumurta Saklama

Tazeliklerini korumak amacıyla yumurtaların sabit bir sıcaklıkta muhafaza edilmesi önerilir, dolayısıyla yumurtaları soğutucunun orta rafında tutmak en iyi yöntemdir.

# RAFLAR, BÖLMELER VE ÇEKMECELER

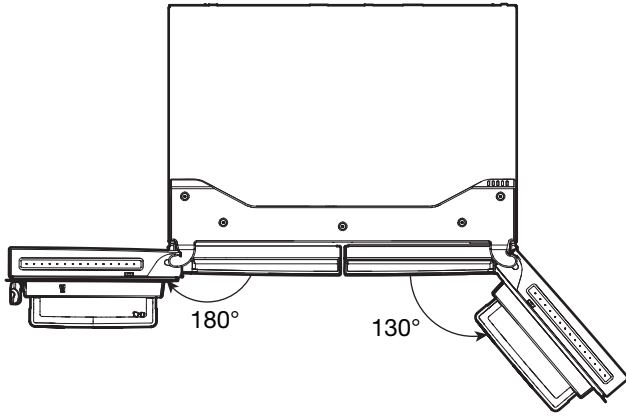
## Cam raflar ve kapaklar hakkında önemli bilgiler:

Cam raflar veya kapaklar soğuk haldeyken ılık su ile temizlemeyin. Ani ısı değişimlerine veya darbe gibi etkilere maruz kalmaları halinde raflar ve kapaklar kırılabilir. Tavlı cam, birçok küçük ve çakıl boyutunda parçalara ayrılacak şekilde tasarlanmıştır. Bu normaldir. Cam raflar ve kapaklar ağırdır. Düşmemeleri için, bunları çıkartırken her iki elinizi de kullanın.

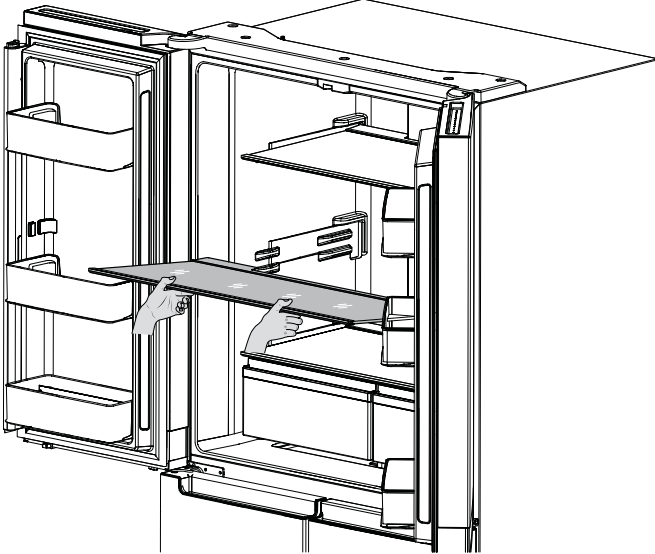
## Raf Yüksekliğinin Ayarlanması

Raf yüksekliği, yerini alt destekten üst desteğe çıkartarak (ve tersini yaparak) ayarlanabilir.

- Sağ kapıyı sonuna kadar açın.
- Sol kapıyı sonuna kadar açın ve sonra 180° açmak için yukarı kaldırın.



- Rafi buzdolabından çıkartın ve istediğiniz konuma yerleştirin.



- Rafın raf desteklerine tam oturduğundan emin olun.

## Raflar ve Raf Çerçevesi

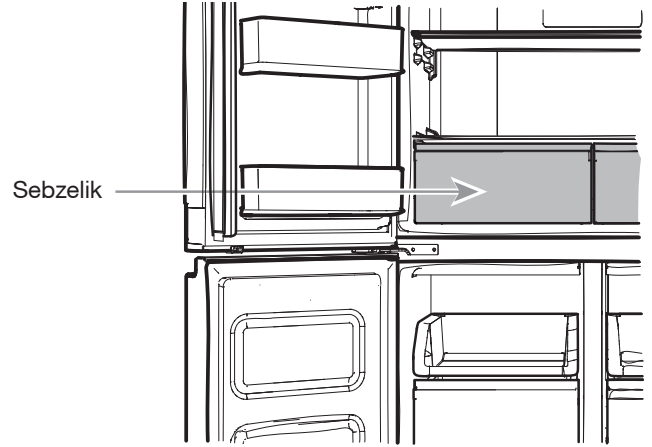
Buzdolabınızdaki raflar, kişisel muhafaza ihtiyaçlarınıza göre ayarlanabilir.

Benzer yiyecekleri buzdolabınızda bir arada muhafaza etmek ve rafları farklı yiyecek/kap yüksekliklerine göre ayarlamak, istediğiniz şeyi bulmayı kolaylaştıracaktır. Ayrıca buzdolabınızın kapısının açık kalma süresini azaltacak ve enerjiden tasarruf sağlayacaktır.

## Rafların Çıkartılması ve Yerleştirilmesi:

1. Sağ kapıyı sonuna kadar açın ve sol kapıyı da sonuna kadar açın ve 180° açmak için sol kapıyı yukarı kaldırın.
2. Orta rafı veya üst rafı, raf desteklerinden kaldırarak çıkartın. Daha sonra, rafı ileri doğru çekin ve aşağı eğerek dikey bir konuma getirin. Rafa bir açı verin ve buzdolabından çekip çıkartın.
3. Alt rafı, raf desteklerinden kaldırarak çıkartın. Daha sonra, rafı ileri doğru çekin ve yukarı doğru eğerek dikey bir konuma getirin. Rafa bir açı verin ve buzdolabından çekip çıkartın.
4. Orta ve üst rafları, rafın ön kısmı aşağı bakacak şekilde buzdolabına bir açı ile koyarak yerleştirin. Rafın ön kısmını yukarı kaldırın ve rafın arka kısmı raf desteklerinin üstüne oturana kadar kaydırın. Rafın ön kısmını aşağı indirin ve rafın yerine oturduğundan emin olun.
5. Alt rafı, yukarı bakacak şekilde bir açı ile buzdolabına koyun. Rafın ön kısmını yukarı kaldırın ve rafın arka kısmı raf desteklerine oturana kadar kaydırın. Rafın ön kısmını aşağı indirin ve rafın yerine oturduğundan emin olun.

## Sebzelikler

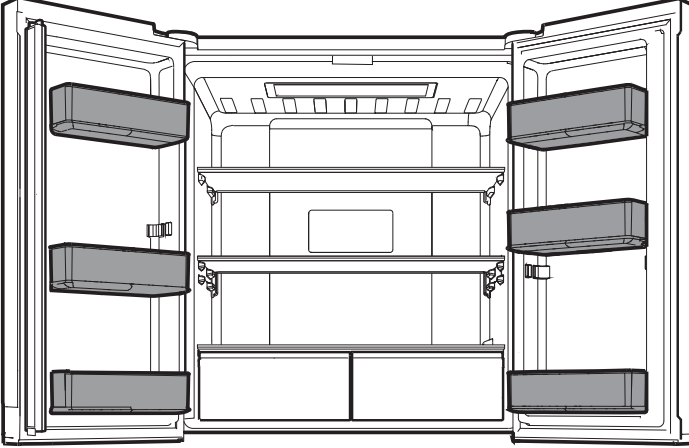


## Sebzeliklerin Çıkartılması ve Yerleştirilmesi:

1. Sebzeliğin kulpundan tutun ve Sebzeliği durana kadar doğru çekin. Sebzeliği kaldırıp alt kılavuzundan kurtarın.
2. Sebzeliği, alt sebzelik kılavuzunun üzerine koyarak ve durana kadar yerine doğru iterek geri yerleştirin.

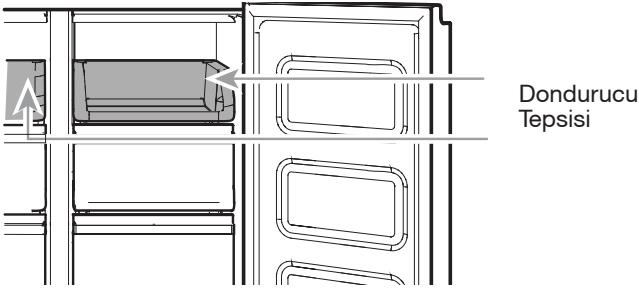
## Buzdolabı Balkon Rafları

Buzdolabınızın kapısındaki balkon raf, kişisel muhafaza ihtiyaçlarınıza göre ayarlanabilir.



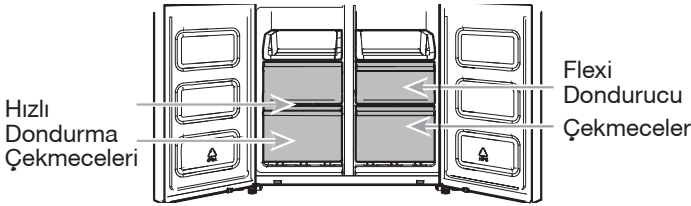
## Dondurucu Saklama Bölmeleri

### Dondurucu Tepsisi



Dondurucu tepsisi, sık kullanılan şeylere kolayca erişebilmek, artan yemekleri veya küçük yiyecekleri dondurmak veya basit bir şekilde saklamak için faydalıdır.

### Dondurucu Çekmeceleri



### Hızlı Dondurma bölümü

- Hızlı Dondurucu çekmeceleri, büyük hacimli yiyecekleri/kapları rahatça yerleştirmenizi sağlar.
- Hızlı Dondurma seçeneği, tüm dondurulmuş yiyeceklerinizi güvenle ve şeffaf bir şekilde muhafaza etmenizi sağlar.

### Flexi Dondurucu Bölmesi (sadece WQ9 B1L, 6WM591NIHAS ve WQ70900SXX modellerinde)

Flexi Dondurucu Bölmesi, üç dondurucu sıcaklığı seviyesinden birini seçmenize imkan tanır: Farklı yiyecek tipleri için en iyi saklama koşullarını sağlayan -7°C, -12°C ve -18°C.

Maksimum dondurucu kapasitesi elde etmek için, dondurucu çekmeceğini çıkartarak dondurucu rafını açığa çıkartabilirsiniz.

### Üst çekmeceyi çıkartmak için:

1. Çekmeceğin kulpundan tutun ve çekmeceyi durana kadar dışarı doğru çekin. Çekmeceyi kaldırıp alt kılavuzundan kurtarın.
2. Çekmeceyi, alt çekmece kılavuzunun üzerine koyarak ve durana kadar yerine doğru iterek geri yerleştirin.

### Dondurucu Rafı (sadece WQ9 E1L ve WQ9 B1L modellerinde)

Dondurucu kapasitesini maksimuma çıkarmak için, orta çekmeceyi çıkartarak altındaki dondurucu rafını açığa çıkartabilirsiniz. Daha sonra üst çekmeceyi koyabilir ve yiyecekleri doğrudan rafın üstüne yerleştirebilirsiniz.

## Ses Referansı

### Ton Ataması

Ton Adı	Kullanım Örnekleri
Güçü Açma	Cihazın gücü her açıldığında, soğutma sisteminin de gücü açılır.
Tuşa Basma	Kullanıcı geçerli bir düğmeye bastığında.
Geçersiz (Hata)	Kullanıcı iki veya daha fazla sayıda geçerli düğmeye aynı anda bastığında. Bas-ve-baslı tut tipindeki düğmeler için geri sayım kesintisi.
Aktivasyon	Herhangi bir moda girildiğinin teyidi.
Devre dışı bırakma	Herhangi bir moddan çıkıldığının teyidi.
İkaz	Kapı Aralık ikazı.

Bu tablo hızlı başvuru içindir. Ayrıntılar için ilgili bölümlere bakın. Tutarsızlık olması halinde, ilgili bölümdeki bilgiler geçerlidir.

## Aksesuarlar

Aksesuarlar sipariş etmek için, buzdolabınızı satın aldığınız satıcıyı arayın.

## Yardım veya Servis

Yardım veya yetkili servisi aramadan önce, "Arıza giderme" bölümüne bakın. Sizi bir servis çağırma maliyetinden kurtarabilir. Eğer halen yardıma ihtiyacınız varsa, aşağıdaki talimatları izleyin.

### Yedek parça gerekiyorsa

Fabrika tanımlı yedek parçaları bölgenizde bulabilmek için, buzdolabınızı satın aldığınız satıcı ile iletişime geçin.

### Garanti

Garanti bilgileri için buzdolabınızı satın aldığınız satıcı ile iletişime geçin.

**Bu kitapçığı ve satın alma faturanızı ileride kullanmak üzere saklayın. Garanti hizmeti için satın alma ve montaj tarihini kanıtlamanız gerekir.**

İhtiyacınız olması halinde yardım ve servis konusunda size yardımcı olması için aşağıdaki bilgileri yazın. Tam model numarasını ve seri numarasını bilmeniz gerekecektir. Bu bilgileri, buzdolabı bölmesinin iç paneline iliştirilmiş model ve seri numarası etiketinde bulabilirsiniz.

Satıcı adı \_\_\_\_\_

Seri numarası \_\_\_\_\_

Adres \_\_\_\_\_

Telefon numarası \_\_\_\_\_

Model numarası \_\_\_\_\_

Satın alma tarihi \_\_\_\_\_



# BUZDOLABI BAKIMI

## Temizlik

### ⚠ UYARI



#### Patlama Tehlikesi

Yanıcı olmayan temizlik maddesi kullanın.  
Aksi halde, ölüm, patlama veya yangın ile sonuçlanabilir.

Soğutucu, Dondurucu ve Flexi dondurucu (sadece WQ9 B1L, 6WM591NIHAS ve WQ70900SXX modellerinde) bölümlerinin tamamı otomatik buz çözme yapar. Ancak, koku birikimini önlemek için tüm bölümleri yaklaşık ayda bir kez temizleyin. Dökülen maddeleri hemen silin.

### Dış Temizlik

Lütfen modelinizle ilgili dair dış temizlik bilgilerine bakın.

#### Tarz 1 – Pürüzsüz Kapı

**ÖNEMLİ:** Temizlik ürünlerinin hatalı kullanımından veya önerilmeyen temizlik ürünlerinin kullanılmasından ötürü pürüzsüz kaplamanın hasar görmesi, garanti kapsamına girmez. Keskin veya kör aletler kaplamaya zarar verir.

KULLANIN	KULLANMAYIN
✓ Yumuşak, temiz bez	✗ Aşındırıcı bezler ✗ Kağıt havlular veya gazete kağıdı ✗ Çelik yünü pedler
✓ İlik, yumuşak bir deterjanla karıştırılmış sabunlu su	✗ Aşındırıcı tozlar veya sıvılar ✗ Pencere spreyleri ✗ Amonyak ✗ Asidik veya sirke bazlı temizleyiciler ✗ Fırın temizleyicileri ✗ Yanıcı sıvılar

**NOT:** Kağıt havlular, boyalı kapının kaplamasını içebilir ve matlaşmasına neden olabilir. Olası hasarları önlemek için, kapıları parlatmak ve silmek için sadece yumuşak, temiz bezler kullanın.

#### Tarz 2 – Paslanmaz Çelik

##### ÖNEMLİ:

- Sadece önerilen paslanmaz çelik temizleyicilerini ve bezleri kullanın. Temizlik ürünlerinin hatalı kullanımından veya önerilmeyen temizlik ürünlerinin kullanılmasından ötürü paslanmaz çelik kaplamanın hasar görmesi, garanti kapsamına girmez.
- Paslanmaz çelik cihazlara, yüksek tuzlu, yüksek nemli veya yüksek rutubetli ortamlar gibi kostik veya paslandırıcı maddelerin temas etmesini önleyin. Bu maddelere temastan kaynaklanan hasar, garanti kapsamına girmez.

KULLANIN	KULLANMAYIN
✓ Yumuşak, temiz bez	✗ Aşındırıcı bezler ✗ Kağıt havlular veya gazete kağıdı ✗ Çelik yünü pedler
✓ İlik, yumuşak bir deterjanla karıştırılmış sabunlu su	✗ Aşındırıcı tozlar veya sıvılar ✗ Amonyak ✗ Narenciye bazlı temizleyiciler ✗ Asidik veya sirke bazlı temizleyiciler ✗ Fırın temizleyicileri
✓ Ağır kirler için, sadece bu tip cihazlar için özel üretilmiş paslanmaz çelik temizleyici kullanın. Temizleyici sipariş etmek için, buzdolabınızı satın aldığınız satıcıyı arayın.	✗ Paslanmaz çelik temizleyici, sadece paslanmaz çelik parçalar içindir. Paslanmaz çelik temizleyicinin veya cıvaların kenar/pervaz parçaları, dağıtıcı kapakları veya kapı contaları gibi plastik parçalara temas etmesine izin vermeyin.

#### Tarz 3 – Parmak İzi Tutmayan Paslanmaz

##### ÖNEMLİ:

- Paslanmaz çelik cihazlara, yüksek tuzlu, yüksek nemli veya yüksek rutubetli ortamlar gibi kostik veya paslandırıcı maddelerin temas etmesini önleyin. Bu maddelere temastan kaynaklanan hasar, garanti kapsamına girmez.

KULLANIN	KULLANMAYIN
✓ Yumuşak, temiz bez	✗ Aşındırıcı bezler ✗ Kağıt havlular veya gazete kağıdı ✗ Çelik yünü pedler
✓ İlik, yumuşak bir deterjanla karıştırılmış sabunlu su	✗ Aşındırıcı tozlar veya sıvılar ✗ Pencere spreyleri ✗ Amonyak ✗ Asidik veya sirke bazlı temizleyiciler ✗ Fırın temizleyicileri ✗ Yanıcı sıvılar

##### NOTLAR:

- Eğer kazara bir temas olursa, plastik parçaları bir sünger ve yumuşak deterjan katılmış ılık su ile temizleyin. Yumuşak bir bezle iyice kurulayın.
- Bir temizleyicinin sıvı formunda olması, aşındırıcı olmadığı anlamına gelmez. Seramik ve yumuşak yüzeylerde hassas/nazik olacak şekilde formüle edilmiş birçok sıvı temizleyici, paslanmaz çeliğe zarar verebilir.
- Sitrik asit paslanmaz çeliğin rengini kalıcı olarak soldurur.
- Paslanmaz çelik buzdolabınızın kaplamasının hasar görmesini önlemek için:

##### Aşağıdaki maddelerin kaplama üzerinde kalmasına izin vermeyin:

- ✗ Hardal
- ✗ Domates suyu
- ✗ Domatesli makarna sosu
- ✗ Narenciye içerikli soslar
- ✗ Narenciye içerikli ürünler

## İç Temizlik

1. Buzdolabının fişini çekin veya elektriğini kesin.
2. Çıkarılabilir parçaları ve iç yüzeyleri elinizle iyice yıkayın, durulayın ve kurutun. Temiz bir sünger veya yumuşak bir bez ve nazik/yumuşak deterjanlı ılık su kullanın.  
**NOT:** Plastik parçaları, iç ve kapak kaplamalarını veya contaları temizlemek için cam spreylere, oarak temizleme maddeleri, yanıcı sıvılar, temizlik cilaları, konsantre deterjanlar, ağartıcılar ya da petrol ürünleri içeren temizleyiciler gibi aşındırıcı veya sert temizleyiciler kullanmayın.
3. Buzdolabının fişini takın veya elektriğini açın.

## Yoğuşturucu Temizliği

Bu buzdolabının her iki yanında ince yoğuşturucu devresi bulunur. Yan taraflarda sıcaklık hissetmek normaldir.

## Lambalar

Hem soğutucu hem de dondurucu bölmesinin lambaları, değiştirilmesi gerekmeyen LED lambalardır. Kapı açıldığında lambalar yanmazsa, buzdolabınızı satın aldığınız satıcıyı arayın.

## Tatil ve Taşınma Bakımı

### Tatiller

#### Siz Uzaktayken Buzdolabınızı Çalışır Halde Bırakacaksınız:

1. Bozulabilecek yiyecekleri tüketin ve diğerlerini de dondurun.
2. Buzdolabınızda otomatik buz makinesi varsa ve evin su besleme sistemine bağlı haldeyse, buzdolabına gelen su beslemesini kesin. Su beslemesi kapatılmazsa, eşyalarınız zarar görebilir.
3. Eğer otomatik buz makineniz varsa, buz makinesini kapatın.
  - Buz makinesini kapatmak için Kapatma (O) düğmesine basın.
4. Buz haznesini boşaltın.

#### Evden Ayrılmadan Buzdolabını Kapatacaksınız:

**NOT:** Tatildeyken buzdolabının Demo Modunu aktive edin. "Kumandaların Kullanımı" bölümüne bakın.

1. Buzdolabındaki tüm yiyecekleri çıkartın.
2. Buzdolabınızın otomatik buz makinesi varsa:
  - Buz makinesine gelen su beslemesini en az 1 gün önceden kesin.
  - Son buz düştüğünde, cihazınızın modeline bağlı olarak, buzdolabının üst iç kısmındaki ekranın sönmeye için Kapatma (O) düğmesine basın.
3. Buz haznesini boşaltın.
4. Sıcaklık kontrollerini kapatın. "Kumandaların Kullanımı" bölümüne bakın.
5. Buzdolabını temizleyin, silin ve iyice kurulayın.
6. Her iki kapağın da üstüne, içlerine hava girmesini sağlamak amacıyla açık bırakmak için kauçuk veya ahşap bloklar koyun. Bu sayede, koku ve küf oluşmaz.

## Taşınma

Buzdolabınızı yeni evinize taşıırken, taşınmaya hazırlık için aşağıdaki işlemleri yapın.

1. Buzdolabınızın otomatik buz makinesi varsa:
  - Buz makinesine gelen su beslemesini en az 1 gün önceden kesin.
  - Buzdolabının arkasından su hortumunu çıkartın.
  - Son buz düştüğünde, cihazınızın modeline bağlı olarak, buz makinesinin veya kontrol kısmının üstünde bulunan Kapatma (O) düğmesine basın.
2. Buzdolabındaki tüm yiyecekleri çıkartın ve tüm dondurulmuş yiyecekleri kuru buz paketinin içine koyun.
3. Buz haznesini boşaltın.
4. Buzdolabının fişini çekin.
5. İyice temizleyin, silin ve kurulayın.
6. Tüm portatif parçaları çıkartın, güzelce sarın ve taşınma esnasında kaymamaları ve çarpmamaları için birbirlerine bantlayın.
7. Modele bağlı olarak, daha rahat taşımak için buzdolabının önünü kaldırın veya zemine sürtünmemesi için seviye ayarlama vidalarını kaldırın. "Kapıların Ayarlanması" veya "Buzdolabının Düzlük Ayarlanması ve Kapının Kapanması" bölümüne bakın.
8. Kapakları kapalı halde bantlayın ve elektrik kablosunu buzdolabının arkasına bantlayın.

Yeni evinize taşındıktan sonra, her şeyi eski yerine koyun ve hazırlama işlemleri için "Montaj Talimatları" bölümüne bakın. Ayrıca, buzdolabınızda otomatik buz makinesi özelliği varsa, buzdolabına su beslemesini bağlamayı unutmayın.

# SORUN GİDERME

Bir servisi aramadan önce, burada verilen çözüm önerilerini deneyin.

## ⚠ UYARI



### Elektrik Çarpması Tehlikesi

Topraklaması olan (topraklı) bir prize takın.

Toprak hattını çıkartmayın.

Bir adaptör kullanmayın.

Bir uzatma kablosu kullanmayın.

**Bu talimatlara uyulmaması, ölüm, yangın veya elektrik çarpması ile sonuçlanabilir.**

Karşılaşılabilecek Sorun	Olası Nedenler	Çözüm
<b>Buzdolabının Çalışması</b>		
Buzdolabı çalışmıyor.	Elektrik beslemesini kontrol edin.	Elektrik kablosunu topraklı bir prize takın. Uzatma kablosu kullanmayın. Prizde elektrik olduğundan emin olun. Prizin çalışıp çalışmadığını anlamak için bir lamba takın. Atmış sigorta varsa kaldırın. Yanmış sigorta varsa değiştirin. <b>NOT:</b> Sorun devam ederse bir elektrikçi arayın.
	Kumandaları kontrol edin.	Kumandaların açık olduğundan emin olun. "Kumandaların Kullanımı" bölümüne bakın.
	Yeni montaj.	Buzdolabının tam olarak soğuması için kurulumun ardından 24 saat bekleyin. <b>NOT:</b> Sıcaklık kontrollerinin en soğuk ayara ayarlanması, bölmenin daha hızlı soğumasını sağlamayacaktır.
	Buzdolabı kumandası Demo modundadır (bazı modellerde).	Buzdolabı Demo modunda ise, soğutma fonksiyonu kapanır ve "Demo" mesajı kontrol panelinde görüntülenecektir. Daha fazla bilgi için "Kumandaların Kullanımı" bölümüne bakın.
	Motor çok fazla çalışıyor gibi görünüyor.	Yüksek verimli kompresörler ve fan. Oda veya dış ortam sıcaklığı yüksektir. Kısa bir süre önce büyük miktarda ılık/sıcak yiyecek/yemek konmuştur. Kapı(lar), sıkça açılıyordur veya uzun süre açık kalıyordur. Buzdolabı kapısı veya dondurucu çekmecesini açtıkça. Buzdolabı kumandası çok soğuğa ayarlanmıştır. Kapı veya çekmece sepeti kirli, aşınmış veya çatlıktır.

# SORUN GİDERME

Bir servisi aramadan önce, burada verilen çözüm önerilerini deneyin.

Karşılaşılabilecek Sorun	Olası Nedenler	Çözüm
Lambalar çalışmıyor.	Buzdolabınız, değiştirilmesi gerekmeyen LED aydınlatma ile donatılmıştır.	Eğer buzdolabına elektrik gelmesine rağmen bir kapı veya çekmece açıldığında lambalar yanmıyorsa, yardım merkezini veya servisi arayın.
	Kapılar, 10 dakikadan daha uzun bir süredir açıktır.	Resetlemek için kapıları ve çekmeceyi kapatın ve yanması için geri açın.
	Kapı sivici, kapının açıldığını algılamıyordur.	Menteşe kapağının 7.62 cm (3") yakınında hiçbir mıknatıs veya elektronik cihaz bulunmadığından emin olun.
Sıcaklık Kontrolü Kullanıcı Arayüzü çalışmıyor.	Sıcaklık Kontrolü Kullanıcı Arayüzü uyku moduna geçmiştir.	Sıcaklık Kontrolü Kullanıcı Arayüzünü uyandırmak için, Kullanıcı Arayüzü üzerindeki herhangi bir düğmeye basın.
	Sıcaklık Kontrolü Kullanıcı Arayüzü düğmeleri iyi çalışmıyordur.	Düğmelerin resetlenebilmesi için buzdolabının gücünü kapatıp geri açın. Eğer sorun devam ederse, servisi veya yardım merkezini arayın.
	Sıcaklık Kontrolü Kullanıcı Arayüzüne elektrik gelmiyordur.	Kapı menteşesindeki elektrik bağlantısını kontrol edin.
Sıcaklık Kontrolü Kullanıcı Arayüzünde ayar yapılamıyor.	Kapı açıktır ve Kapı aralık alarmı aktive edilmiştir.	Kapıyı kapatın.
<b>Olağandışı Ses</b>		
Normal buzdolabı seslerini dinlemek için, markanın web sitesindeki Product Help/FAQ (Ürün Yardımı/Sık Sorulan Sorular) bölümünü ziyaret edin ve "normal sounds" (normal sesler) aramasını yapın. Aşağıda, bazı normal sesler açıklamalarıyla verilmiştir.		
Buzdolabı gürültülü çalışıyor.	Yeni buzdolabınızdaki kompresör, daha az enerji kullanırken sıcaklığı daha etkin bir şekilde ayarlamakta ve sessiz çalışmaktadır.	Çalışma gürültüsündeki bu azalmadan ötürü, aslında normal olan olağandışı sesler fark edebilirsiniz.
Beklenenden daha uzun süre çalışan kompresör sesi.	Yüksek verimli kompresörler ve fanlar.	Boyutu ve verimi yüksek buzdolapları, enerji verimi yüksek düşük hızlarda daha uzun süre çalışır.
Titreme Sesi/Vızıltı	Kompresörün normal çalışması esnasında fanlar/kompresör performansı optimize etmek için ayarlamalar yapıyordur.	Bu normaldir.
Tıkırtı	İç panellerin büzülmesi/genleşmesi, özellikle ilk soğutma esnasında.	Bu normaldir.
Islık/Damlama Sesi	Kompresördeki soğutucu madde akışı veya yağ akışı.	Bu normaldir.
Titreşim	Buzdolabı dengeli durumda olmayabilir.	Seviye düzleme vidalarından ayarlayın ve düzleme ayağını yere tam basacak şekilde alçaltın. "Buzdolabının Düzlük Ayarlaması ve Kapının Kapanması" bölümüne bakın.
Tıklama/Vurma Sesi	Su hatlarındaki/borularındaki hareketin buzdolabı kabininde çıkardığı veya buzdolabı kabininin üstüne konulan eşyaların çıkardığı ses.	Aşırı suyu buzdolabı kabininden uzaklaştırın veya gevşek boruları kabine sabitleyin. "Su Beslemesi Bağlantısı" bölümüne bakın veya buzdolabının üstündeki eşyaları kaldırın.
Cızırtı	Buz çözme işlemi esnasında suyun ısıtıcı üzerine damlaması.	Bu normaldir.
Su akma sesi/Lıkırtı	Buz çözme esnasında buz erirken ve su tahliye tepsisine akarken işitilebilir.	Bu normaldir.

# SORUN GİDERME

Bir servisi aramadan önce, burada verilen çözüm önerilerini deneyin.

Karşılaşılabilecek Sorun	Olası Nedenler	Çözüm
<b>Sıcaklık ve Nem</b>		
Sıcaklık çok yüksek.	Buzdolabı henüz yeni monte edilmiştir.	Buzdolabının tam olarak soğuması için kurulumun ardından 24 saat bekleyin.
	Kumandalar, ortam koşullarına uygun olarak ayarlanmamıştır.	Kumandaları bir kademe daha soğuk ayara getirin. Sıcaklığı 24 saat içinde kontrol edin. “Kumandaların Kullanımı” bölümüne bakın.
	Kapı(lar) sıkça açılıyordur veya tam olarak kapanmamıştır. Sıcak havanın buzdolabına girmesine neden olur.	Kapak açma miktarını minimuma indirin ve kapakları tam kapalı halde tutun.
	Kısa bir süre önce büyük miktarda sıcak yiyecek/ yemek konmuştur.	Buzdolabının normal sıcaklığa gelmesi için birkaç saat bekleyin.
	Demo modu aktiftir.	Demo modunu kapatın. “Kumandaların Kullanımı” bölümüne bakın.
	Tatil modu aktiftir.	Tatil modunu kapatın. “Kumandaların Kullanımı” bölümüne bakın.
Buzdolabındaki/sebzelikteki ısı çok soğuk.	Buzdolabı havalandırma menfez(ler)i tikalıdır.	Soğutucu bölmesinin arka orta kısmında bulunan hava menfezi doğrudan önüne konulan eşyalar nedeniyle tıkanmışsa/kapanmışsa, buzdolabı çok soğuk olacaktır. Bu eşyaları hava menfezinden uzaklaştırın.
	Kumandalar, ortam koşullarına uygun olarak ayarlanmamıştır.	Kumandaları bir kademe daha sıcak ayara getirin. Sıcaklığı 24 saat içinde kontrol edin. “Kumandaların Kullanımı” bölümüne bakın.
	Buz saklama kabı doğru konumda değildir.	“Buz Makinesi ve Buz Saklama Kabı” bölümüne bakın.
Sıcaklık kontrollü çekmecedeki ısı çok soğuk.	Kumanda, çekmeceye saklanan yiyecekler için doğru ayarlanmamıştır.	Sıcaklık ayarını yapın. “Buzdolabı Kullanımı” bölümündeki “Kumandaların Kullanımı” başlığına bakın.
İç kısımda yoğuşma birikimi var. <b>NOT:</b> Bazı nem oluşumları normaldir.	Oda/ortam nemlidir.	Nemli bir ortam, yoğuşma oluşumuna katkı yapar.
	Kapı(lar) sıkça açılıyordur veya tam olarak kapanmamıştır. Nemli havanın buzdolabına girmesine neden olmaktadır.	Kapıları açma sıklığını azaltın ve kapıları tam olarak kapatın.
	Kapının (kapıların) kapanması engelleniyordur.	Yiyecek paketlerini kapıdan uzaklaştırın.
	Bir kap veya raf yerinde değildir.	Kapı veya rafı doğru konumuna getirin.
	Sıvıların ağzı açık kaplarda saklanması.	Bu, buzdolabının içindeki nemi artırır. Tüm kapları sıkıca kapalı tutun.
Dondurucu bölümünde kar/ buz oluşumu var.	Kapı sık açılıyordur veya açık kalıyordur.	Kapıları açma sıklığını azaltın ve kullandıktan sonra çekmeceyi tam olarak kapatın.
	Kapının contası kötü durumdadır.	Kapı contalarının, uygun bir sızdırmazlık sağlamak üzere buzdolabı kabine tam temas ettiğinden emin olun.
	Sıcaklık kumandaları doğru ayarlanmamıştır.	Önerilen sıcaklık ayarları için “Kumandaların Kullanımı” bölümüne bakın.

# SORUN GİDERME

Bir servisi aramadan önce, burada verilen çözüm önerilerini deneyin.

**! UYARI**



**Patlama Tehlikesi**  
**Yanıcı olmayan temizlik maddesi kullanın.**  
**Aksi halde, ölüm, patlama veya yangın ile sonuçlanabilir.**

Kapıların nasıl ayarlanacağını ve hizalanacağını gösteren bir animasyon izlemek için, markanın web sitesindeki Product Help/FAQ (Ürün Yardımı/Sık Sorulan Sorular) bölümünü ziyaret edin ve “Door Closing and Door Alignment” (Kapının Kapanması ve Kapı Hizalaması) aramasını yapın

Karşılaşılabilecek Sorun	Olası Nedenler	Çözüm
<b>Kapılar</b>		
Kapılar tam kapanmıyor.	Kapının kapanması engelleniyordur.	Yiyecek paketlerini kapıdan uzaklaştırın.
	Bir kap veya raf yerinde değildir.	Kapı veya rafı doğru konumuna getirin.
	Yeni monte edilmiştir	Tüm ambalaj malzemelerini çıkartın.
Kapılar zor açılıyor.	Kapı contaları kirli veya yapışkan haldedir.	Contaları ve temas yüzeylerini nazik sabun ve ılık su çözeltisiyle silin. Durulayın ve yumuşak bezle kurulayın.
Kapılar hizalı görünmüyor.	Kapıların hizalanması veya buzdolabının düz hale getirilmesi gereklidir.	Eğer kapıların hizalanması gerekiyorsa, lütfen servisi arayın.
Buzdolabı dengede değil veya kapıları açarken ve kapatırken ileri doğru hareket ediyor.	Buzdolabının fren ayakları zemine tam basmıyordur.	Her iki fren ayağını da (her yanda bir tane), zemine tam basana kadar saatin tersi yönde ve aynı miktarda döndürün. “Buzdolabının Düzlük Ayarlaması ve Kapının Kapanması” bölümüne bakın.

# Inhoud

<b>VEILIG GEBRUIK VAN DE KOELKAST</b> .....	<b>176</b>
Op de juiste manier afvoeren van uw oude koelkast .....	179
<b>ONDERDELEN EN KENMERKEN</b> .....	<b>180</b>
<b>INSTALLATIE-INSTRUCTIES</b> .....	<b>181</b>
Aan de slag .....	181
De koelkast uitpakken .....	181
Vereisten m.b.t. de locatie .....	182
Elektrische vereisten .....	182
Deuren van de koelkast verwijderen en terugplaatsen .....	184
De vriezerdeur/Flexi Freeze-deur verwijderen en terugplaatsen .....	186
De koelkast waterpas zetten .....	187
Gebruik van het bedieningspaneel.....	188
Verlichting van de koelkast .....	189
<b>GEBRUIK VAN DE KOELKAST</b> .....	<b>190</b>
De deuren openen en sluiten.....	190
Bewaren van voedsel.....	190
<b>SCHAPPEN, VAKKEN EN LADES</b> .....	<b>191</b>
Bewaarvakken in de vriezer .....	192
Betekenis van geluidssignalen .....	192
Accessoires.....	192
Assistentie of onderhoud.....	192
<b>ONDERHOUD VAN DE KOELVRIEZER</b> .....	<b>193</b>
Reiniging .....	193
Verlichting.....	194
Verzorging bij vakantie en verhuizing .....	194
<b>PROBLEMEN OPLOSSEN</b> .....	<b>195</b>

# VEILIG GEBRUIK VAN DE KOELKAST

## Uw veiligheid en die van anderen is van het grootste belang.

Daarom hebben wij in deze handleiding en op het apparaat een groot aantal belangrijke veiligheidswaarschuwingen opgenomen. Lees altijd alle veiligheidswaarschuwingen en houd u hieraan.



Dit symbool staat voor een veiligheidswaarschuwing.

Het wijst u op gevaren met mogelijk ernstige of dodelijke gevolgen voor u en anderen.

Alle veiligheidsberichten staan achter het waarschuwingssymbool en het woord "GEVAAR" of het woord "WAARSCHUWING."

Die woorden hebben de volgende betekenis:

 **GEVAAR**

**U kunt gedood worden of ernstig gewond raken als u de aanwijzingen niet onmiddellijk opvolgt.**

 **WAARSCHUWING**

**U kunt gedood worden of ernstig gewond raken als u de aanwijzingen niet opvolgt.**

Alle veiligheidsberichten vertellen u om welk potentieel gevaar het gaat, hoe de kans op letsel te beperken en wat de gevolgen kunnen zijn als u de aanwijzingen niet opvolgt.



## VEILIGHEIDSINSTRUCTIES

Lees deze veiligheidsinstructies voordat u het apparaat gebruikt. Houd ze bij de hand voor raadpleging in de toekomst. Deze instructies en het apparaat zelf bevatten belangrijke veiligheidswaarschuwingen die te allen tijde moeten worden nageleefd. De fabrikant wijst elke aansprakelijkheid af bij niet-naleving van deze veiligheidsinstructies, bij oneigenlijk gebruik van het apparaat of een verkeerde instelling van de bedieningselementen.

⚠ Zeer jonge kinderen (0-3 jaar) moeten uit de buurt van het apparaat worden gehouden. Jonge kinderen (3-8 jaar) moeten uit de buurt van het apparaat worden gehouden, tenzij ze voortdurend onder toezicht staan. Kinderen van 8 jaar en ouder en personen met verminderde lichamelijke, zintuigelijke of geestelijke vermogens of gebrek aan ervaring en kennis mogen dit apparaat alleen gebruiken als ze onder toezicht staan of als ze instructies hebben gekregen over veilig gebruik en de gevaren van het gebruik begrijpen. Kinderen mogen niet spelen met het apparaat. Reiniging en onderhoud mogen niet door kinderen zonder toezicht worden uitgevoerd.

### TOEGESTAAN GEBRUIK

⚠ LETOP: Het apparaat is niet bedoeld om te worden gebruikt via een externe schakelapparaat, zoals een timer, of een apart systeem met afstandsbediening.

⚠ Dit apparaat is bedoeld voor gebruik in huishoudelijke en vergelijkbare toepassingen zoals: personeelskeukens in winkels, kantoren en andere werkomgevingen; boerderijen; door klanten in hotels, motels, bed & breakfasts en andere verblijfsomgevingen.

⚠ Dit apparaat is niet bedoeld voor professioneel gebruik. Gebruik het apparaat niet buiten.

⚠ Het apparaat is ontworpen voor gebruik op plaatsen met een omgevingstemperatuur binnen de volgende grenswaarden, overeenkomstig de op het typeplaatje vermelde klimaatklasse. Bij langdurige blootstelling aan temperaturen buiten de vermelde grenswaarden werkt het apparaat mogelijk niet naar behoren.

Klimaatklasse omg. temp. (°C)

SN: Van 10 tot 32 °C; N: Van 16 tot 32 °C

ST: Van 16 tot 38 °C; T: Van 16 tot 43 °C

⚠ Dit apparaat bevat geen CFK's. Het koelcircuit bevat R600a (HC). Apparaten met isobutaan (R600a): isobutaan is een aardgas dat geen effect op het milieu heeft maar wel ontvlambaar is. Zorg er daarom voor dat de leidingen van het koelcircuit niet beschadigd worden, vooral bij het legen van het koelcircuit.

⚠ WAARSCHUWING: Beschadig de leidingen van het koelcircuit niet.

⚠ WAARSCHUWING: Houd ventilatieopeningen, in de behuizing van het apparaat of in het inbouwmeubel, vrij van obstakels.

## BELANGRIJK OM TE LEZEN EN OP TE VOLGEN

⚠ WAARSCHUWING: Gebruik alleen door de fabrikant aanbevolen mechanische, elektrische of chemische middelen om het ontdooien te bespoedigen.

⚠ WAARSCHUWING: Gebruik of plaats geen elektrische apparaten in het apparaat, tenzij ze van een type zijn dat uitdrukkelijk is goedgekeurd door de fabrikant.

⚠ WAARSCHUWING: Ijsblokjesmakers en/of waterdispensers die niet rechtstreeks op de waterleiding zijn aangesloten, mogen alleen worden gevuld met drinkwater.

⚠ WAARSCHUWING: Automatische ijsblokjesmakers en/of waterdispensers mogen alleen worden aangesloten op een waterleiding met drinkwater, met een waterdruk tussen de 0,17 en 0,81 MPa (1,7 en 8,1 bar).

⚠ Bewaar geen explosievestoffen zoals spuitbussen met een brandbaar drijfgas in dit apparaat.

⚠ Slikde (niet-giftige) inhoud van de koelelementen (bijgeleverd bij sommige modellen) niet in. Consumeer ijsklontjes of ijslollies die zojuist uit de vriezer komen niet direct, dit om bevroeringsletsel te voorkomen.

⚠ Bij producten die ontworpen zijn met een luchtfilter binnen een toegankelijke ventilatieafdekking, moet het filter altijd op zijn plaats zitten als de koelkast in gebruik is.

⚠ Bewaar geen glazen potten met vloeistoffen in de vriezer, omdat deze kunnen breken. Zet geen voedsel voor de ventilator (indien aanwezig). Controleer na het plaatsen van voedsel of de deur van de vakken goed sluit, vooral de deur van de vriezer.

⚠ Beschadigde deurrubbers moeten zo snel mogelijk worden vervangen.

⚠ Gebruik de koelkast alleen voor het bewaren van vers voedsel en de vriezer alleen voor het bewaren van diepvriesproducten, het invriezen van vers voedsel en het maken van ijsblokjes.

⚠ Bewaar geen onverpakt voedsel in direct contact met de binnenste oppervlakken van de koelkast of vriezer. Apparaten hebben mogelijk speciale vakken (vak voor vers voedsel, nulgradenbox enz.). Tenzij anders aangegeven in het bijbehorende boekje bij het product kunnen deze worden verwijderd, waarbij de prestaties van het apparaat behouden blijven.

### INSTALLATIE

⚠ Het apparaat moet worden verplaatst en geïnstalleerd door twee of meer personen - risico van letsel. Draag beschermende handschoenen bij het uitpakken en installeren - risico van snijwonden.

△ Installatie, met inbegrip van de wateraansluiting (indien aanwezig) en de elektrische aansluitingen en reparaties moeten worden uitgevoerd door een erkende monteur. Repareer of vervang geen enkel deel van het apparaat, tenzij dit specifiek vermeld is in de gebruikershandleiding. Houd kinderen uit de buurt van de installatieplaats.

Controleer na het uitpakken van het apparaat of het niet beschadigd is tijdens transport. Neem bij problemen contact op met de leverancier of met de dichtstbijzijnde Klantenservice. Na de installatie moet het verpakkingsafval (plastic, piepschuim enz.) buiten het bereik van kinderen worden bewaard - gevaar voor verstikking. Het apparaat moet worden losgekoppeld van de netvoeding voordat het geïnstalleerd wordt - gevaar voor elektrische schok. Zorg tijdens de installatie dat het apparaat de stroomkabel niet beschadigt - gevaar voor brand of elektrische schok. Zet het apparaat pas aan als de installatie voltooid is.

△ Wees voorzichtig zodat u de vloeren niet beschadigt (bv. parket) wanneer het u apparaat verplaatst. Installeer het apparaat op een vloer of steun die sterk genoeg is om het gewicht te kunnen dragen, en op een plaats die geschikt is voor de afmetingen en het gebruik. Zorg dat het apparaat niet in de buurt staat van een warmtebron en dat de vier poten stabiel staan en op de vloer rusten. Stel ze indien nodig af, en controleer of het apparaat perfect waterpas staat met behulp van een waterpas. Wacht ten minste twee uur voordat u het apparaat inschakelt, om te zorgen dat het koelcircuit volledig efficiënt werkt.

△ Laat ruimte aan beide kanten en boven het apparaat vrij om voldoende ventilatie te garanderen. De afstand tussen de achterkant van het apparaat en de muur achter het apparaat moet 50 mm zijn om toegang tot warme oppervlakken te vermijden. Een vermindering van deze afstand verhoogt het energieverbruik van het product.

△ **WAARSCHUWING:** Om gevaarlijke situaties als gevolg van instabiliteit te vermijden, moet de plaatsing of bevestiging van het apparaat plaatsvinden in overeenstemming met de instructies van de fabrikant. Het is verboden om de koelkast zodanig te plaatsen dat de metalen slang van een gasfornuis, metalen gas- of waterleidingen of elektrische kabels in contact komen met de achterwand van de koelkast (spoel van de condensator).

△ Als de deuren vervangen moeten worden, neem dan contact op met het Technische assistentiecentrum.

## **WAARSCHUWINGEN M.B.T. ELEKTRICITEIT**

△ Het moet mogelijk zijn om het apparaat van de netvoeding af te sluiten door de stekker uit het stopcontact te trekken als deze toegankelijk is, of via een meerpolige schakelaar die bovenstrooms van het stopcontact geïnstalleerd is in overeenstemming met de bedradingsvoorschriften. Het apparaat moet worden geaard in overeenstemming met de nationale elektrische veiligheidsnormen.

△ Gebruik geen verlengsnoeren, stekkerdozen of adapters. De elektrische onderdelen mogen niet toegankelijk zijn voor de gebruiker na installatie. Gebruik het apparaat niet als u nat bent of op blote voeten loopt. Gebruik dit apparaat niet als de stroomkabel of stekker beschadigd zijn, als het niet goed werkt of als het beschadigd of gevallen is.

△ Als het netsnoer beschadigd is, moet dit worden vervangen door een identiek exemplaar door de fabrikant, zijn vertegenwoordiger of gekwalificeerd personeel om gevaarlijke situaties te voorkomen - gevaar voor elektrische schok.

△ **WAARSCHUWING:** Zorg ervoor dat het netsnoer niet vast komt te zitten of beschadigd wordt tijdens het plaatsen van het apparaat.


△ **WAARSCHUWING:** Plaats geen meervoudige draagbare stekkerdozen of draagbare stroomvoorzieningen aan de achterkant van het apparaat.

## **REINIGING EN ONDERHOUD**

△ **WAARSCHUWING:** Zorg dat het apparaat uitgeschakeld en losgekoppeld is van de netvoeding voordat u onderhoudswerkzaamheden uitvoert; gebruik nooit stoomreinigers - gevaar van elektrische schok.

△ Gebruik voor de plastic onderdelen, de binnenkant en deurrubbers geen schurende of agressieve schoonmaakmiddelen zoals ruitensprays, schuurmiddelen, ontvlambare vloeistoffen, reinigende was, geconcentreerde reinigers, bleekmiddelen of schoonmaakmiddelen met aardolieproducten. Gebruik geen papieren handdoeken, schuursponsjes of andere agressieve reinigingshulpmiddelen.


## **AFVOEREN VAN VERPAKKINGSMATERIALEN**

Het verpakkingsmateriaal is 100% recyclebaar en is gemarkeerd met het recycle-symbool .

De verschillende onderdelen van de verpakking moeten daarom op verantwoorde wijze worden afgevoerd en in overeenstemming met de plaatselijke voorschriften voor afvalverwijdering.

## AFVOEREN VAN HUISHOUDELIJKE APPARATEN

Dit apparaat is gemaakt met recycleerbare of herbruikbare materialen. Voer het af overeenkomstig de plaatselijke voorschriften voor afvalverwijdering. Voor meer informatie over de behandeling, terugwinning en recycling van elektrische huishoudelijke apparaten kunt u terecht bij uw plaatselijke instantie, de dienst inzameling huishoudelijk afval of de winkel waar u het apparaat hebt gekocht. Dit apparaat is gemarkeerd conform Europese Richtlijn 2012/19/EU betreffende afgedankte elektrische en elektronische apparatuur (AEEA). Door ervoor te zorgen dat dit product op de juiste manier wordt afgevoerd, helpt u negatieve gevolgen voor het milieu en de volksgezondheid te voorkomen.

Het symbool  op het apparaat, of op de bijbehorende documenten, geeft aan dat het niet moet worden behandeld als huishoudelijk afval maar naar een geschikt inzamelcentrum voor de recycling van elektrische en elektronische apparatuur moet worden gebracht.

### TIPS VOOR ENERGIEBESPARING

Installeer het apparaat op een droge, goedgeventileerde ruimte, uit de buurt van warmtebronnen (bv. verwarming, fornuis enz.) en op een plaats waar het niet in direct zonlicht staat. Gebruik indien nodig een isolatieplaat.

Volg de installatie-instructies om een goede ventilatie te garanderen. Onvoldoende ventilatie aan de achterkant van het product verhoogt het energieverbruik en verlaagt de koefficiëntie.

Het vaak openen van de deur kan tot een verhoging van het energieverbruik leiden. De binnentemperatuur van het apparaat en het energieverbruik kan ook worden beïnvloed door de omgevingstemperatuur, evenals door de plaats van het apparaat. Bij het instellen van de temperatuur moet rekening worden gehouden met deze factoren.

Doe de deur zo min mogelijk open.

Leg bevroren voedsel in de koelkast als u het wilt ontdooien. Door de lage temperatuur van de bevroren producten wordt het voedsel in de koelkast gekoeld. Laat warm voedsel en warme dranken afkoelen voordat u ze in het apparaat zet.

De plaatsing van de schappen in de koelkast heeft geen invloed op het efficiënte gebruik van energie. Voedsel moet zodanig op de schappen worden geplaatst dat de lucht goed kan circuleren (het voedsel mag elkaar niet raken en er moet een afstand tot de achterwand worden aangehouden).

U kunt de bewaarcapaciteit van ingevroren voedsel verhogen door manden en indien aanwezig het Stop Frost-schap te verwijderen.

Maak u geen zorgen over geluiden die uit de compressor komen; deze worden in de Beknopte handleiding van dit product als normale geluiden beschreven.



## Op de juiste manier afvoeren van uw oude koelkast

### ⚠ WAARSCHUWING

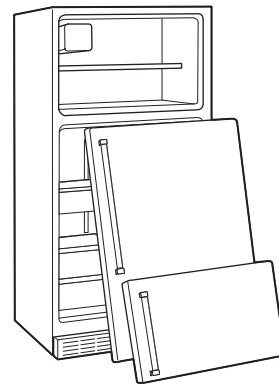
#### Gevaar voor verstikking

**Verwijder de deuren van uw oude koelvriezer. Anders bestaat er gevaar voor verstikking of hersenbeschadiging.**

**BELANGRIJK:** Voorkom dat kinderen worden blootgesteld aan het risico van beknelling of verstikking. Afgedankte of achtergelaten koelkasten vormen altijd een gevaar—ook als het om “maar een paar dagen” gaat. Volg daarom deze aanwijzingen bij het afvoeren van uw oude koelkast om ongelukken te helpen voorkomen.

**Doe het volgende voordat u uw oude koelkast of vriezer afvoert:**

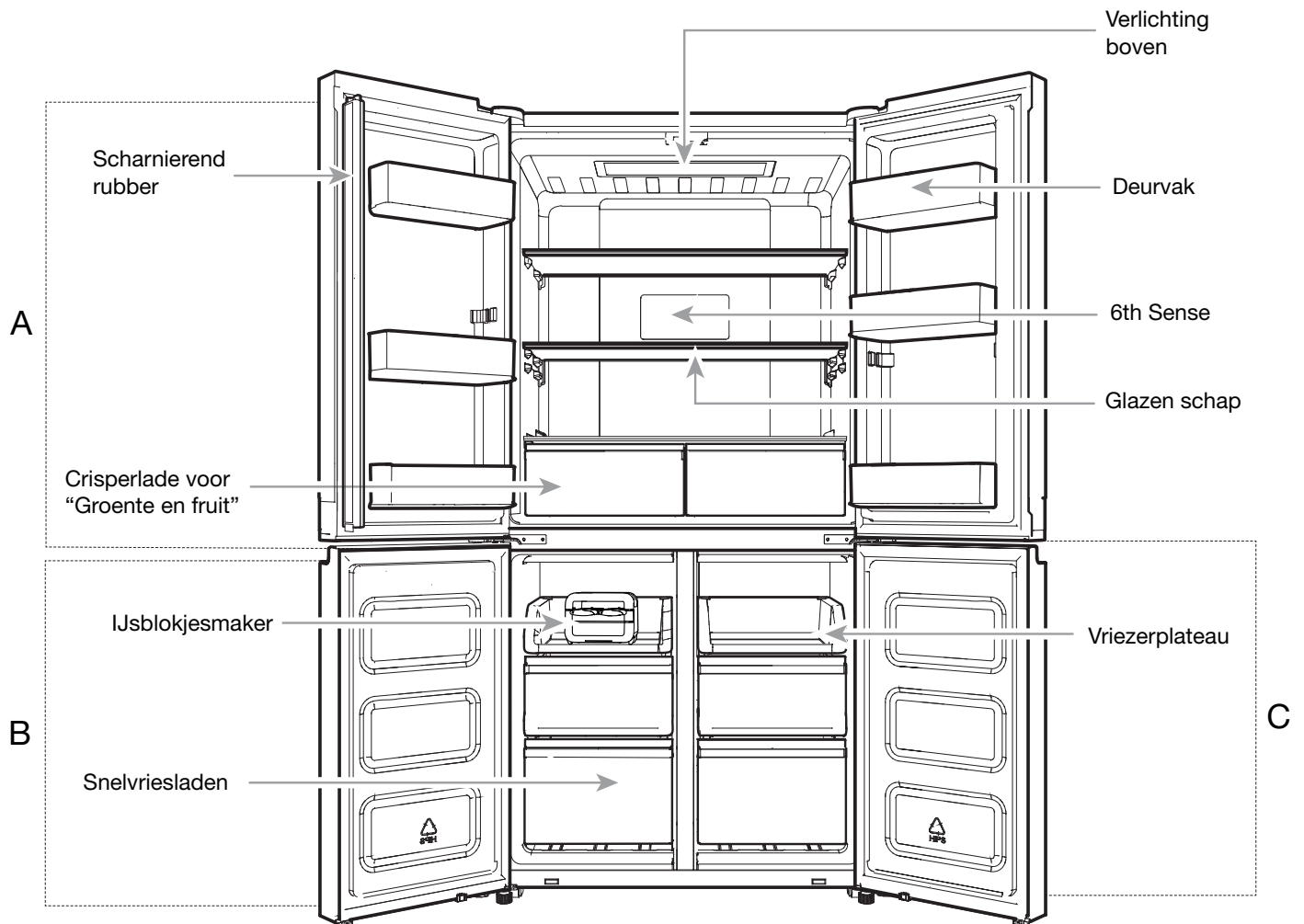
- Verwijder de deuren.
- Laat de schappen op hun plaats: zo maakt u het kinderen lastiger om naar binnen te klimmen.



#### Belangrijke informatie over de afvoer van koelmiddelen:

Voer koelmiddel af overeenkomstig de nationale en plaatselijke voorschriften. Koelmiddelen moeten door een bevoegde technicus worden afgevoerd overeenkomstig de voorgeschreven procedures.

# ONDERDELEN EN KENMERKEN



- A . Koelkast
- B . Vriezer
- C . Flexi Freeze (alleen bij WQ9 B1L, 6WM591NIHAS en WQ70900SXX)

# INSTALLATIE-INSTRUCTIES

## Aan de slag CHECKLIST INSTALLATIE

### ✓ Elektrische stroom

## ⚠ WAARSCHUWING



### Gevaar voor elektrische schok

**Sluit het apparaat aan op een geaard stopcontact.**

**Verwijder het aardcontact niet.**

**Gebruik geen adapter.**

**Gebruik geen verlengsnoer.**

**Het niet opvolgen van deze instructies kan leiden tot overlijden, brand of een elektrische schok.**

- Sluit de koelkast aan op een geaard stopcontact.
- ✓ **Deuren**
  - Zie de paragrafen “Deuren van de koelkast verwijderen en terugplaatsen” en “Front van de vrieslade verwijderen en terugplaatsen”.
  - De deuren sluiten volledig af.
  - Het apparaat staat waterpas. Draai de stelvoetjes tot ze stevig contact maken met de vloer.
  - De deuren lopen aan bovenzijde gelijk. (Gebruik zo nodig de uitlijnfunctie).
- ✓ **Eindcontroles**
  - Verwijder al het verpakkingsmateriaal.
  - Stel de temperatuur in op de aanbevolen waarde.
  - Bewaar de aanwijzingen en overige documentatie.
  - Om volledige assistentie te krijgen, gelieve uw product te registreren op [www.whirlpool.eu/register](http://www.whirlpool.eu/register).

## De koelkast uitpakken

## ⚠ WAARSCHUWING

### Gevaarlijk gewicht

**Verplaats en installeer de koelvriezer met twee of meer mensen.**

**Doet u dit niet, dan kan rugletsel of ander letsel het gevolg zijn.**

### Bezorging van het apparaat

De deuropening dient minimaal 838 mm te zijn. Bij een deuropening van 914 mm of minder moeten de deuren, de lade en de scharnieren worden verwijderd.

Rijd de koelvriezer zijwaarts door alle deuropeningen.

### Het verplaatsen van uw koelvriezer:

Uw koelvriezer is een zwaar apparaat. Bij verplaatsing voor schoonmaak of onderhoud dient u de vloer af te dekken met karton of hardboard om de vloer niet te beschadigen. Trek het apparaat altijd in rechte lijn van zijn plaats. Probeer het niet te verplaatsen door het heen en weer te bewegen of te kantelen, omdat de vloer dan kan beschadigen.

### Verwijder al het verpakkingsmateriaal

- Verwijder alle achtergebleven tape- en lijmresten van het apparaat voordat u het aanzet. Wrijf met uw vingers een klein beetje afwasmiddel over de lijm. Veeg af met warm water en droog na.
- Gebruik geen scherpe voorwerpen, alcohol, ontvlambare vloeistoffen of schurende reinigingsmiddelen om tape of lijm te verwijderen. Daarmee kunt u het oppervlak van uw koelvriezer beschadigen.
- Voer alle verpakkingsmaterialen af of bestem ze voor hergebruik.

### Reinigen voor eerste gebruik

Maak nadat u al het verpakkingsmateriaal hebt verwijderd, de binnenkant van de koelvriezer schoon voordat u hem in gebruik neemt. Zie de aanwijzingen voor reiniging onder “Onderhoud van de koelvriezer”.

### Belangrijke informatie over glazen plateaus en afdekplaten:

Reinig glazen plateaus en afdekplaten niet met warm water wanneer zij koud zijn. Plateaus en afdekplaten kunnen kapotgaan als zij plotseling van temperatuur veranderen of hard in aanraking komen met voorwerpen.

Gehard glas is zo gemaakt dat het bij breuk uiteenvalt in een groot aantal kleine stukjes ter grootte van een kiezelsteen. Dit is normaal. Glazen plateaus en afdekplaten zijn zwaar. Houd ze bij het uitnemen met beide handen vast om te voorkomen dat u ze laat vallen.

## Vereisten m.b.t. de locatie

### ⚠ WAARSCHUWING



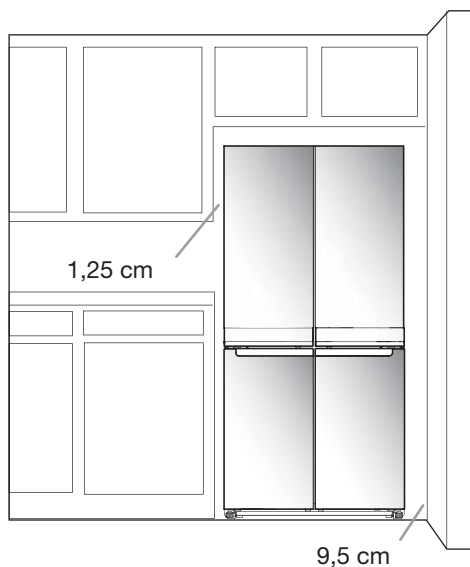
#### Gevaar voor ontploffing

Houd ontvlambare materialen en dampen, zoals benzine, uit de buurt van de koelvriezer.

Anders bestaat er gevaar voor ontploffing en/of brand met mogelijk fatale gevolgen.

Aan weerszijden en boven het apparaat moet ten minste 1,25 cm vrij worden gelaten om te zorgen voor voldoende ventilatie. Aan de achterzijde moet de vrije ruimte minimaal 5 cm bedragen. Als uw koelvriezer voorzien is van een ijsmaker, dient u aan de achterzijde extra ruimte vrij te laten voor de wateraansluiting. Bij installatie tegen een vaste wand moet de ruimte tussen het apparaat en de wand minimaal 9,5 cm bedragen, zodat de deur goed kan worden geopend.

**OPMERKING:** Deze koelvriezer is bedoeld voor gebruik op een locatie waar de temperatuur tussen minimaal 10°C en maximaal 43°C ligt. Het aanbevolen temperatuurbereik voor optimale prestaties, waarbij het elektriciteitsverbruik verminderd wordt en superieure koeling wordt geleverd, is tussen de 15°C en 32°C. Het verdient aanbeveling de koelvriezer niet in de nabijheid van een oven, radiator of andere warmtebron te plaatsen.



## Elektrische vereisten

### ⚠ WAARSCHUWING



#### Gevaar voor elektrische schok

Sluit het apparaat aan op een geaard stopcontact.

Verwijder het aardcontact niet.

Gebruik geen adapter.

Gebruik geen verlengsnoer.

Het niet opvolgen van deze instructies kan leiden tot overlijden, brand of een elektrische schok.

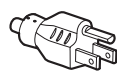
**BELANGRIJK:** De installatie en de elektrische aansluitingen moeten door een gekwalificeerde monteur worden uitgevoerd volgens de aanwijzingen van de fabrikant en de plaatselijke veiligheidsvoorschriften.

- De koelkast moet worden aangesloten op een netvoeding van 220-240 volt, 10 A, 50/60 Hz.
- Zorg ervoor dat de spanning op het typeplaatje overeenkomt met de netspanning bij u thuis.
- Het moet mogelijk zijn het apparaat los te koppelen van de stroomvoorziening door de stekker uit het stopcontact te halen of met een tweepolige schakelaar vóór het stopcontact.
- Als het netsnoer beschadigd is, moet dit worden vervangen door de fabrikant, zijn vertegenwoordiger of gekwalificeerd personeel om gevaarlijke situaties te voorkomen.

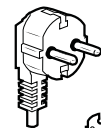
Voordat het apparaat op zijn definitieve plaats komt te staan, is het belangrijk te controleren of de elektrische aansluiting geschikt is:

#### Aanbevolen aardingsmethode

Een geaarde netvoeding van 220-240 volt 50 Hz, 220 volt 60 Hz of 230/240 volt 50 Hz, alleen wisselstroom met een zekering van 10 A is vereist.



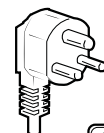
Type B



Type E en F



Type I



Type M



Type G

### Voor Australië en Nieuw-Zeeland:

Uw nieuwe apparaat is speciaal zo gemaakt dat het voldoet aan alle Australische normen en voorwaarden.

Sommige opmerkingen in de aanwijzingen voor installatie kunnen verwijzen naar elektrische vereisten in andere landen, zodat we u daar uitdrukkelijk op wijzen.

Uw apparaat mag alleen worden aangesloten op een geaard stopcontact van 230/240 volt 50 Hz, alleen wisselstroom, 10 A.

### Elektrische vereisten (alleen Groot-Brittannië en Ierland)

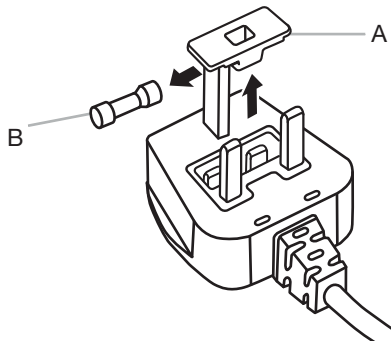
**BELANGRIJK:** Dit apparaat moet geaard zijn.

#### De zekering vervangen

Als het netsnoer van deze koelvriezer voorzien is van een stekker van het type BS1363A met een zekering van 13 A, gebruik dan een door A.S.T.A. goedgekeurde zekering voor het type BS 1362 om een zekering in dit type stekker te vervangen en ga als volgt te werk:

1. Verwijder het afdekkapje (A) en de zekering (B).
2. Plaats de nieuwe 13 A zekering in het afdekkapje.
3. Plaats het afdekkapje met de zekering terug in de stekker.

**BELANGRIJK:** Bij vervanging van een zekering moet ook het afdekkapje worden teruggeplaatst. Als het afdekkapje kwijtraakt, mag de stekker pas worden gebruikt nadat een ander passend afdekkapje is aangebracht. Of een afdekkapje geschikt is, kan worden vastgesteld aan de hand van de kleur of het gekleurde "woord" aan de onderzijde van de stekker. Nieuwe afdekkapjes zijn te koop bij uw plaatselijke elektriciteitswinkel.



A. Afdekkapje zekering

B. Zekering

### (Alleen) voor Ierland:

De voor Groot-Brittannië gegeven informatie is veelal van toepassing maar er is nog een derde type stekker en stopcontact in gebruik: het 2-polige type met randaarde.

#### Stopcontact/stekker (geldt voor beide landen):

Als de gemonteerde stekker niet geschikt is in uw stopcontact, kunt u contact opnemen met Aftersales voor nadere aanwijzingen. Probeer de stekker niet zelf te verwisselen. Dat moet worden gedaan door een gekwalificeerde monteur overeenkomstig de aanwijzingen van de fabrikant en de vigerende standaardveiligheidsvoorschriften.

### Temperatuur

Dit apparaat is ontworpen voor gebruik op plaatsen met een temperatuur binnen de volgende grenswaarden, overeenkomstig de op het typeplaatje vermelde klimaatklasse. Bij langdurige blootstelling aan temperaturen buiten de vermelde grenswaarden werkt de koelvriezer mogelijk niet naar behoren.

**OPMERKING:** Het verdient aanbeveling de koelvriezer niet in de nabijheid van een oven, radiator of andere warmtebron te plaatsen.

Klimaatklasse	Omg. temp. (°C)	Omg. temp. (°F)
SN	10 - 32	50 - 90
N	16 - 32	61 - 90
ST	16 - 38	61 - 100
T	16 - 43	61 - 110

## Deuren van de koelkast verwijderen en terugplaatsen

**OPMERKING:** Meet hoe breed uw deuropening is om na te gaan of het nodig is de deuren van de koelkast te verwijderen voordat hij bij u thuis naar binnen kan. Mocht het nodig zijn de deuren van het apparaat te verwijderen, volg dan onderstaande aanwijzingen.

**BELANGRIJK:** Als het apparaat al was geïnstalleerd en u het wilt overbrengen naar een plaats buiten uw huis, zet u allereerst de thermostaat van de koelkast op nul. Haal de stekker uit het stopcontact of schakel de stroom uit. Haal de levensmiddelen en verstelbare vakken uit de deuren.

Houd het benodigde gereedschap bij de hand en lees alle aanwijzingen door voordat u de deuren verwijdert.

**BENODIGD GEREEDSCHAP:** Dopsleutel van 6 mm, dopsleutel van 5 mm en een kruiskopschroevendraaier nr. 2.



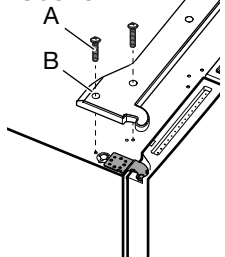
### ⚠ WAARSCHUWING

Gevaar voor elektrische schok

Haal de stekker uit het stopcontact voordat u de deuren verwijdert.

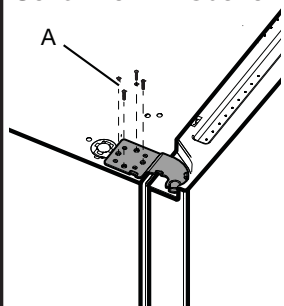
Anders bestaat er gevaar voor elektrische schok met mogelijk fatale gevolgen.

#### Afdekking scharnier linksboven



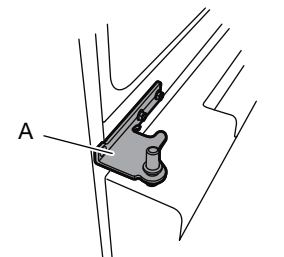
- A. Schroeven van afdekking bovenscharnier
- B. Afdekking bovenscharnier

#### Scharnier linksboven



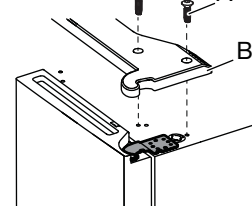
- A. Inbusschroeven van 5 mm

#### Scharnier links midden



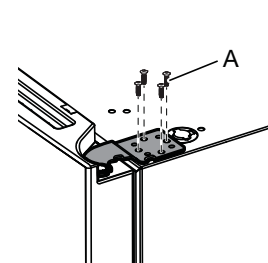
- A. Scharnier

#### Afdekking scharnier rechtsboven



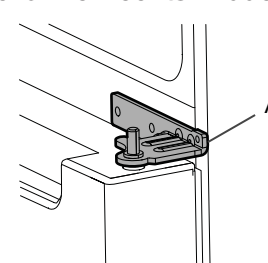
- A. Schroeven van afdekking bovenscharnier
- B. Afdekking bovenscharnier

#### Scharnier rechtsboven



- A. Inbusschroeven van 5 mm

#### Scharnier rechts midden



- A. Scharnier



## **WAARSCHUWING**

### **Gevaarlijk gewicht**

Til de koelkastdeur met twee of meer mensen.

Doet u dit niet, dan kan rugletsel of ander letsel het gevolg zijn.

### Deuren van de koelkast verwijderen

## **WAARSCHUWING**



### **Gevaar voor elektrische schokken**

Haal de stekker uit het stopcontact voordat u de deuren verwijdert.

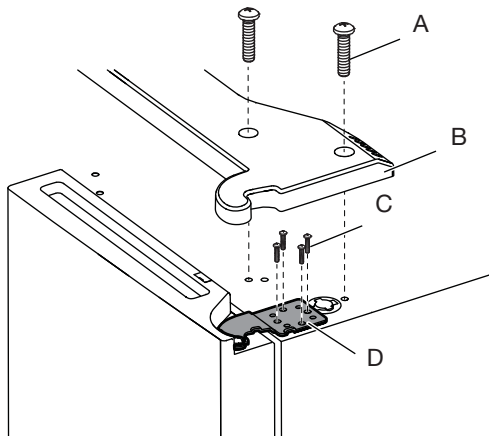
Anders bestaat er gevaar voor elektrische schok met mogelijk fatale gevolgen.

### Rechterdeur verwijderen

1. Haal de stekker uit het stopcontact of schakel de stroom uit.
2. Houd de deuren van de koelkast gesloten tot u klaar bent om ze ervan af te tillen.

**OPMERKING:** Zorg voor extra ondersteuning van de deur wanneer u bezig bent de scharnieren te verwijderen. De magneten van de deurrubbers zijn onvoldoende om de deuren dan op hun plaats te houden.

3. Verwijder de afdekkap van het bovenscharnier met een kruiskopschroevendraaier.
4. Verwijder de vier schroeven van het bovenscharnier met een dopsleutel van 5 mm en leg ze opzij.



A. Schroef van afdekkap bovenscharnier

B. Afdekkap van bovenscharnier

C. Inbusschroeven van 5 mm

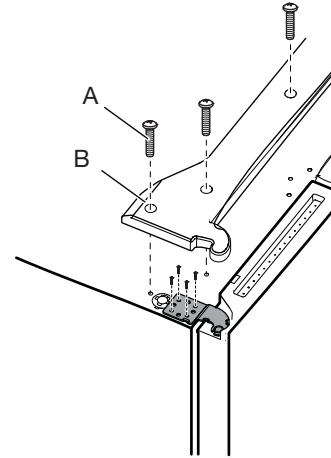
D. Bovenscharnier

5. Til de koelkastdeur van de middelste scharnieren. Het bovenscharnier komt samen met de deur los.

### Linkerdeur verwijderen

**BELANGRIJK:** Omdat de bedrading van de gebruikersinterface door het scharnier van de linkerdeur lopen, moet u deze losmaken voordat u de deur verwijdert.

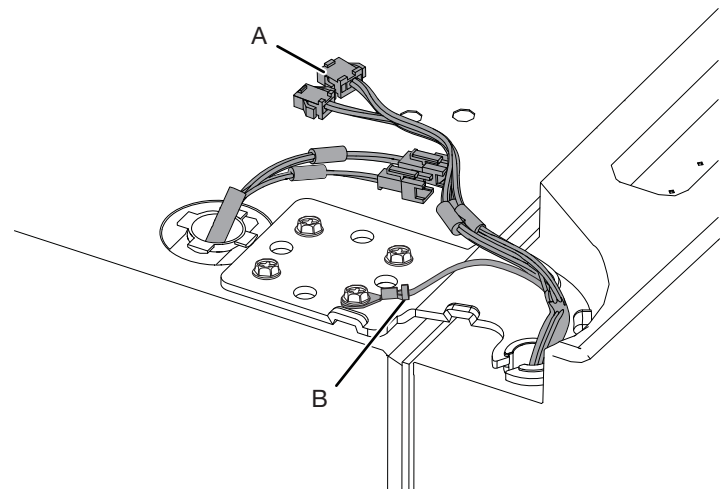
1. Verwijder de afdekkap van het bovenscharnier met een kruiskopschroevendraaier.



A. Schroef van afdekkap bovenscharnier

B. Afdekkap van bovenscharnier

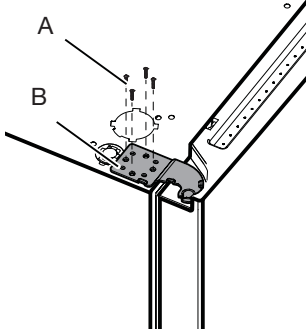
2. Maak de twee bedradingspluggen op het scharnier los.
  - Pak de bedradingspluggen aan beide zijden vast. Druk de plug met uw linkerduim in om de vergrendeling los te maken en trek beide helften van de pluggen van elkaar.



A. Bedradingsplug

B. Aardaansluiting

3. Verwijder de vier binnenste schroeven van het bovenscharnier met een dopsleutel van 5 mm en leg ze opzij.



A. Inbusschroeven van 5 mm  
B. Bovenscharnier

**OPMERKING:** Zorg voor extra ondersteuning van de deur wanneer u bezig bent de scharnieren te verwijderen. De magneten van de deurrubbers zijn onvoldoende om de deuren dan op hun plaats te houden.

4. Til de koelkastdeur van de onderste scharnieren. Het bovenscharnier komt samen met de deur los.

**OPMERKING:** Het is niet altijd nodig de onderscharnieren en remvoeten te verwijderen om de koelvriezer door de deur te krijgen.

- Gebruik alleen als het nodig is een dopsleutel van 6 mm en een kruiskopschroevendraaier nr. 2 om het middelste scharnier te verwijderen.

#### De rechterdeur van de koelkast terugplaatsen

1. Plaats de rechterdeur op de middelste scharnieren.
2. Steek de bovenscharnieren in de opening bovenin de deur van de koelkast.
3. Bevestig het scharnier aan de behuizing met vier inbusschroeven van 5 mm. Draai de schroeven niet helemaal aan.

#### De linkerdeur van de koelkast terugplaatsen

1. Plaats de linkerdeur op de middelste scharnieren.
2. Bevestig het scharnier aan de behuizing met vier inbusschroeven van 5 mm. Draai de schroeven niet helemaal aan.
3. Sluit de elektrische bedrading weer aan.
  - Duw beide helften van de bedradingsplug samen.
  - Sluit de aardedraad weer aan op de scharnierschroef.

#### Laatste handelingen

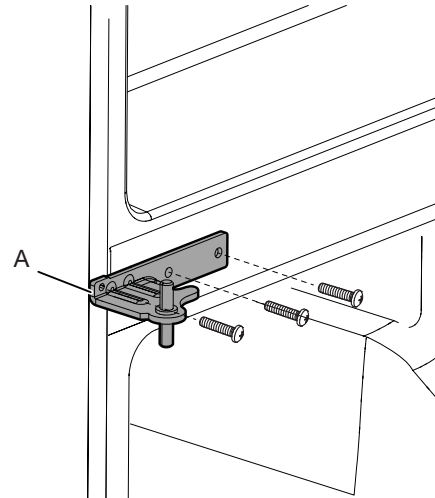
1. Draai de acht inbusschroeven van 5 mm volledig aan.
2. Plaats de afdekkappen van de bovenscharnieren terug.

## De vriezerdeur/Flexi Freeze-deur verwijderen en terugplaatsen

1. Houd de deuren van de vriezer gesloten tot u klaar bent om ze ervan af te tillen.

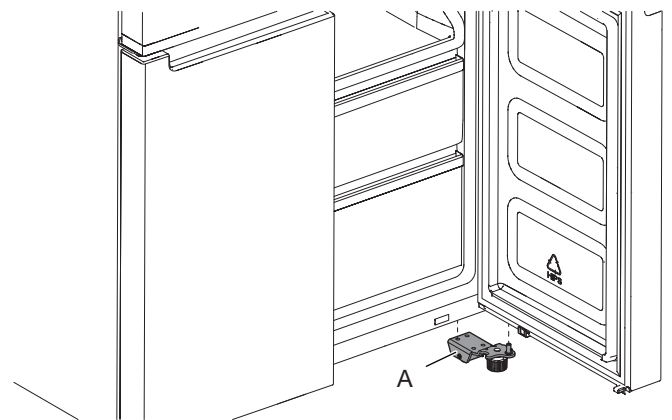
**OPMERKING:** Zorg voor extra ondersteuning van de deur wanneer u bezig bent de scharnieren te verwijderen. De magneten van de deurrubbers zijn onvoldoende om de deuren dan op hun plaats te houden.

- Verwijder het middelste scharnier van de behuizing met een kruiskopschroevendraaier nr. 2 en een dopsleutel van 6 mm.



A. Middelste scharnier

- Til de vriezerdeur van de onderscharnieren.



A. Onderscharnier

## ⚠ WAARSCHUWING



### Gevaar voor elektrische schok

Sluit het apparaat aan op een geaard stopcontact.

Verwijder het aardcontact niet.

Gebruik geen adapter.

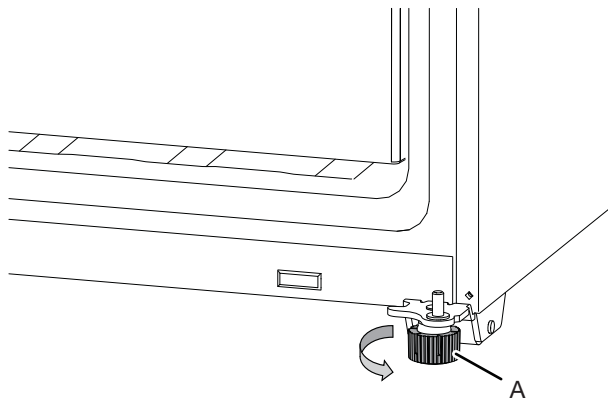
Gebruik geen verlengsnoer.

Het niet opvolgen van deze instructies kan leiden tot overlijden, brand of een elektrische schok.

1. Sluit het apparaat aan op een geaard stopcontact.
2. Plaats alle verwijderbare onderdelen en levensmiddelen terug in de lade.

## De koelkast waterpas zetten

1. Zet de koelkast op zijn definitieve plaats.
2. Draai de remvoeten met de hand. Draai ze naar links tot de rollen van de vloer zijn en beide remvoeten tegen de vloer drukken. Dit voorkomt dat de koelvriezer naar voren rijdt wanneer u de deuren opent.



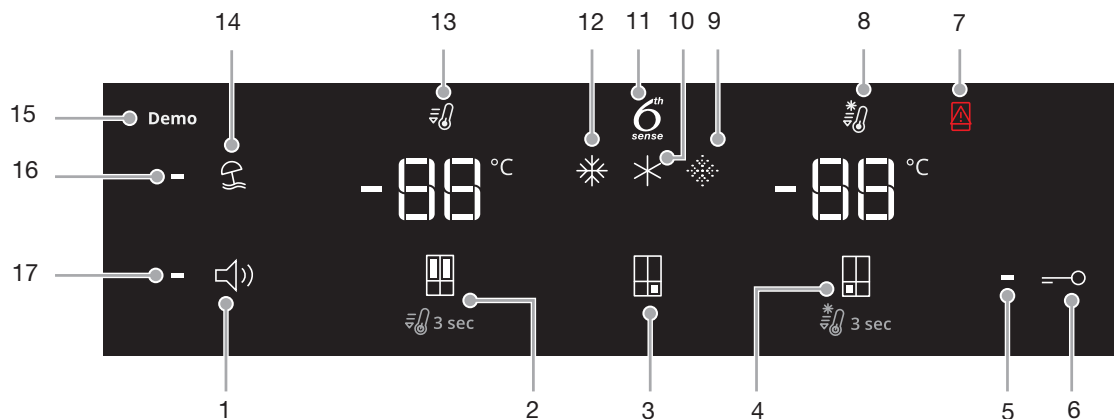
A. Remvoeten

**BELANGRIJK:** Als u de remvoeten nog verder moet afstellen, houd het apparaat dan waterpas door beide remvoeten gelijkmatig te verdraaien.

3. Gebruik een waterpas om ervoor te zorgen dat de koelkast waterpas staat, zowel van zijkant naar zijkant als van achterkant naar voorkant.

## Gebruik van het bedieningspaneel

De aanraaktoetsen bevinden zich op de linkerkant van de koelkastdeur. Het bedieningspaneel bevat informatie over verschillende knoppen en indicatielampjes. De temperatuurindicatoren van de koelkast en vriezer tonen de laatst ingestelde temperaturen.



1. Toets geluid AAN/UIT
2. Temperatuurtoets koelkast (3 sec. ingedrukt houden voor snelkoelen)
3. Temperatuurtoets Flexi Freeze (alleen bij WQ9 B1L, 6WM591NIHAS en WQ70900SXX)
4. Temperatuurtoets vriezer (3 sec. ingedrukt houden voor snelvriezen)
5. Indicatielampje toetsenblokkering
6. Toets toetsenblokkering
7. Indicatielampje deur open
8. Indicatielampje snelvriezen
9. Indicatielampje zacht vriezen (alleen bij WQ9 B1L, 6WM591NIHAS en WQ70900SXX)
10. Indicatielampje mild vriezen (alleen bij WQ9 B1L, 6WM591NIHAS en WQ70900SXX)
11. Indicatielampje 6th Sense
12. Indicatielampje hard vriezen (alleen bij WQ9 B1L, 6WM591NIHAS en WQ70900SXX)
13. Indicatielampje snelkoelen
14. Toets vakantiemodus
15. Indicatielampje demo-modus (alleen bij WQ9 B1L, 6WM591NIHAS en WQ70900SXX)
16. Indicatielampje vakantiemodus
17. Indicatielampje geluid

Het bedieningspaneel wordt automatisch uitgeschakeld nadat er één minuut niet op een toets is gedrukt. Druk op een willekeurige toets om het bedieningspaneel in te schakelen.

### -88 Temperatuurinstellingen bekijken en wijzigen

#### De temperatuur van de koelkast en de vriezer wijzigen:

De temperatuurwaarden zijn in de fabriek vooringesteld om het u gemakkelijker te maken.

Controleer bij eerste installatie van uw koelvriezer of de instellingen nog steeds overeenkomen met de aanbevolen waarden. De door de fabrikant aanbevolen instelwaarden zijn 3°C voor de koelkast en -18°C voor de vriezer.

Door op de temperatuurtoets voor de koelkast of vriezer te drukken loopt u door de temperatuurinstellingen in graden Celsius (°C).

#### BELANGRIJK:

- Wacht 24 uur voordat u levensmiddelen in de koelkast zet. Als u producten in de koelkast bewaart voordat de ingestelde temperatuur is bereikt, kunnen uw levensmiddelen bederven.  
**OPMERKING:** Instelling van de temperatuur onder de aanbevolen waarde leidt niet tot een snellere temperatuuurddaling.
- Als de temperatuur in de koelkast of de vriezer te hoog of te laag is, controleer dan of de ventilatieopeningen niet verstopt zijn voordat u een andere waarde instelt.
- De aanbevolen instellingen zouden geschikt moeten zijn voor normaal huishoudelijk gebruik. De temperatuur is goed ingesteld als melk of sap in de koelkast zo koud is als u dat wilt en consumptiejs stevig is wanneer u het uit de vriezer haalt.  
**OPMERKING:** Ruimten zoals een garage, een kelder of een overdekte ruimte buiten kunnen vochtiger en veel warmer of kouder zijn. In dat geval kan het nodig zijn de temperatuur anders in te stellen dan de aanbevolen waarden.
- Wacht ten minste 24 uur voordat u weer een andere waarde instelt. Controleer de temperatuur voordat u opnieuw iets verandert.


### 6<sup>th</sup> Sense Fresh Lock en vriesbediening

De 6<sup>th</sup> SENSE Fresh Lock-sensor zorgt voor een nauwkeurige en constante temperatuurregeling om vers voedsel langer te kunnen bewaren, op de meest natuurlijke manier. Zodra er een temperatuurschommeling gedetecteerd wordt, activeert de sensor een compressor die de oorspronkelijke temperatuur snel herstelt. De 6<sup>th</sup> SENSE vriessensor beperkt temperatuurschommelingen in de vriezer tot een minimum dankzij een innovatie temperatuurbeheersysteem. Vriesbrandwonden worden verminderd en de kwaliteit en kleur van het voedsel blijven behouden.

#### \* \* \* Flexi Freeze-instelling (alleen bij WQ9 B1L, 6WM591NIHAS en WQ70900SXX)

Met de Flexi Freeze-functie kunt u de vooraf ingestelde temperatuur voor het Flexi Freeze-vak instellen.

Symbol	Functie	Temperatuur
✱	Traditionele vriezer	-18°C
✱	Milde vriezer	-12°C
✱	Zachte vriezer	-7°C

\* Om de koudste instelling (-20°C) in of uit te schakelen, houdt u de Flexi Freeze-temperatuurtoets  gedurende 3 seconden ingedrukt.

## Multi-temperatuurinstelling wijzigen



- Traditionele vriezer (-18°C): Reeds bevroren voedsel en vers voedsel (max. 12 maanden)
- Milde vriezer (-12°C): Reeds bevroren voedsel (max. 1 maand)
- Zachte vriezer (-7°C): Reeds bevroren voedsel (max. 1 week)

Onderstaande tabel dient als richtlijn bij het veranderen van de instelwaarden:

CONDITIE	TEMPERATUURVERANDERING
Koelkast te koud	Instelling koelkast 1° hoger
Koelkast te warm	Instelling koelkast 1° lager
Vriezer te koud	Instelling vriezer 1° hoger
Vriezer te warm/te weinig ijs	Instelling vriezer 1° lager



### Snelkoelen

De snelkoelfunctie is handig wanneer de koelkast veel in gebruik en/of volledig gevuld is of wanneer het tijdelijk warm is in de ruimte waarin de koelkast staat.

- Om de functie Snelkoelen in te schakelen houdt u de temperatuurtoets voor de koelkast  3 seconden ingedrukt. Als de functie ingeschakeld is, gaat het symbool Snelkoelen branden. De functie Snelkoelen blijft 2 uur in werking, tenzij u de functie handmatig eerder uitschakelt.
- Om de functie Snelkoelen handmatig uit te schakelen houdt u de temperatuurtoets voor de koelkast  3 seconden ingedrukt. Het symbool Snelkoelen gaat uit als de functie niet ingeschakeld is.
- Bij wijziging van de koelkasttemperatuur wordt de functie Snelkoelen automatisch uitgeschakeld.

### Snelvriezen

De hoeveelheid vers voedsel (in kg) die in 24 uur kan worden ingevroren staat aangegeven op het typeplaatje van het apparaat.

- Houd de temperatuurtoets voor de vriezer  3 seconden ingedrukt (tot het indicatielampje snelvriezen gaat branden), 24 uur voordat u vers voedsel in de vriezer legt. Na het plaatsen van vers voedsel in de vriezer is 24 uur met de snelvriesfunctie over het algemeen voldoende; na 50 uur wordt de snelvriesfunctie automatisch uitgeschakeld.
- Om de functie Snelvriezen handmatig uit te schakelen houdt u de temperatuurtoets voor de vriezer  3 seconden ingedrukt. Het symbool Snelvriezen gaat uit.
- Bij wijziging van de vriestemperatuur wordt de functie Snelvriezen automatisch uitgeschakeld.

### Vakantiemodus

Deze modus is ontworpen zodat uw apparaat geen energie verspilt in periodes waarin het niet wordt gebruikt (bijvoorbeeld wanneer u op vakantie bent).

Door deze functie te selecteren wordt de temperatuur van de koelkast automatisch ingesteld op de warmste temperatuur.

- Om de vakantiemodus te gebruiken houdt u de modustoets ingedrukt tot het indicatielampje Vakantiemodus gaat branden op het display.
- Om de vakantiemodus uit te schakelen houdt u de modustoets ingedrukt tot het indicatielampje niet meer brandt op het display.
- Bij wijziging van de koelkasttemperatuur wordt de functie Vakantiemodus automatisch uitgeschakeld.

**BELANGRIJK:** Als deze modus geselecteerd wordt, moeten al de levensmiddelen en dranken uit de koelkast worden gehaald.

### Geluid AAN-UIT

Druk op de toets om de geluidstonen in of uit te schakelen.

## Toetsenblokkering

- Houd de blokkeringstoets 3 seconden ingedrukt om de toetsenblokkering in te schakelen.
- Om de blokkering uit te schakelen houdt u de blokkeringstoets 3 seconden ingedrukt.

De blokkeringsfunctie negeert alle interactie met het bedieningspaneel tot de gebruiker het bedieningspaneel deblokkeert. Deze functie is bedoeld om onbedoelde verandering van de instellingen te voorkomen.

### Demo-modus (alleen bij WQ9 B1L, 6WM591NIHAS en WQ70900SXX)


Deze modus wordt gebruikt wanneer het apparaat tentoongesteld is in een winkel of als u de koeling wilt uitzetten. Met uitzondering van de binnenverlichting staan alle overige functies dan uit.

De Demo-modus kan gebruikt worden als u langere tijd op vakantie gaat. Zie de paragraaf "Vakantie en verhuizing" voor de te volgen stappen om uw koelvriezer langere tijd in deze modus te laten.

- Als u de Demo-modus inschakelt, gaat op het scherm het symbool "Demo" branden.
- U kunt de Demo-modus in- of uitschakelen door de toetsen Geluid AAN-UIT en de blokkeringstoets tegelijkertijd 3 seconden ingedrukt te houden.

## Extra functies

### Alarm deur open

- Bij de functie Alarm deur open gaat er een alarm af en knippert het symbool "Deur open"  als een van de vier deuren langer dan 2 minuten open is.
- Het alarm gaat elke 5 minuten af. Sluit alle deuren om het alarm uit te schakelen.

**OPMERKING:** Wanneer de deuren langere tijd openstaan omdat u bijvoorbeeld de koelkast van binnen schoonmaakt, kunt u de alarmtoon uitschakelen door een willekeurige toets op het bedieningspaneel aan te raken. De alarmtoon gaat dan tijdelijk uit, maar het symbool Deur open op het bedieningspaneel blijft branden.

## Verlichting van de koelkast

De koelkast is voorzien van binnenverlichting die elke keer aangaat wanneer de deur wordt geopend.

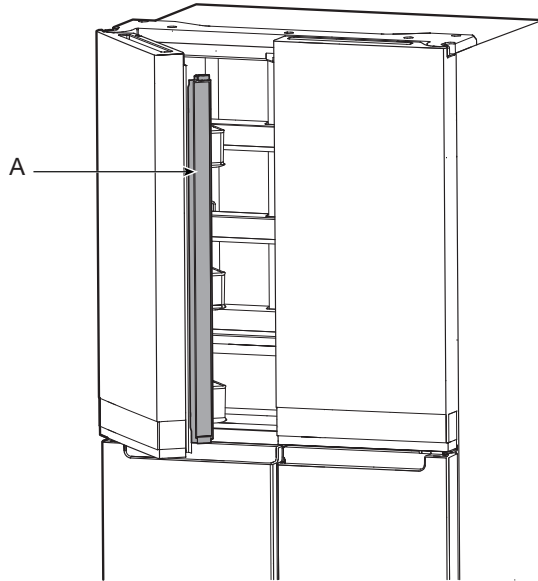
**OPMERKING:** Het licht komt van een ledlampje dat niet hoeft te worden vervangen. Als het ledlampje niet brandt wanneer de deur openstaat, moet u de klantenservice bellen om het te laten vervangen.

# GEBRUIK VAN DE KOELKAST

## De deuren openen en sluiten

De koelkast heeft twee deuren. De deuren kunnen afzonderlijk of tegelijk worden geopend en gesloten. De linkerdeur van de koelkast is voorzien van een verticaal scharnierend afdichtingsrubber.

- Wanneer de linkerdeur wordt geopend, draait het rubber automatisch naar binnen zodat het niet in de weg zit.
- Wanneer beide deuren gesloten zijn, vormt het rubber automatisch een afdichting tussen de twee deuren.

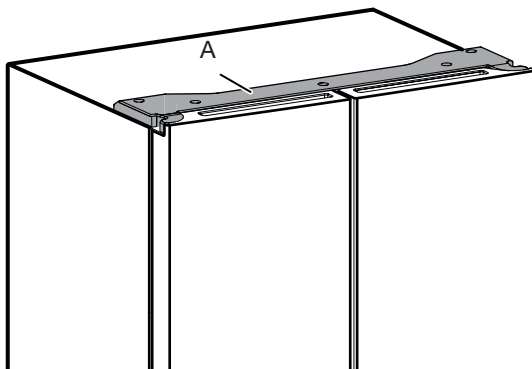


A. Scharnierend rubber

De deurschakelaar van de koelkast bevindt zich in de bovenste scharnierafdekking links en rechts.

- Bij de vriezer en de multi-temperatuurzone zit de deurschakelaar in het onderste scharnier.
- De deurschakelaars maken gebruik van magnetisme om te herkennen of de deur open of gesloten is.
- Zorg er daarom voor dat zich binnen 7,62 cm van de afdekkap van de scharnieren geen magneten of elektronische apparaten (speakers, CoolVox® etc.) bevinden.

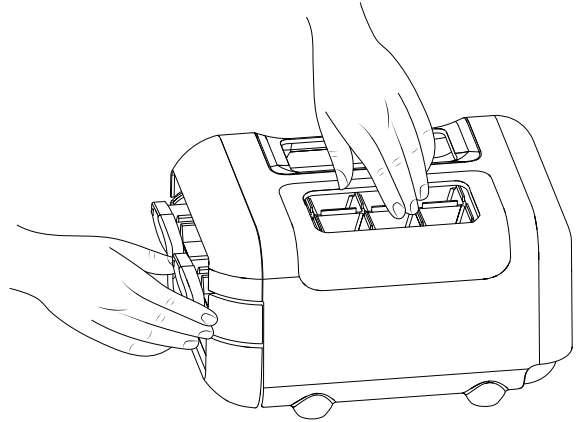
**OPMERKING:** De verlichting gaat niet aan als de schakelaar niet herkent dat de deur geopend is.



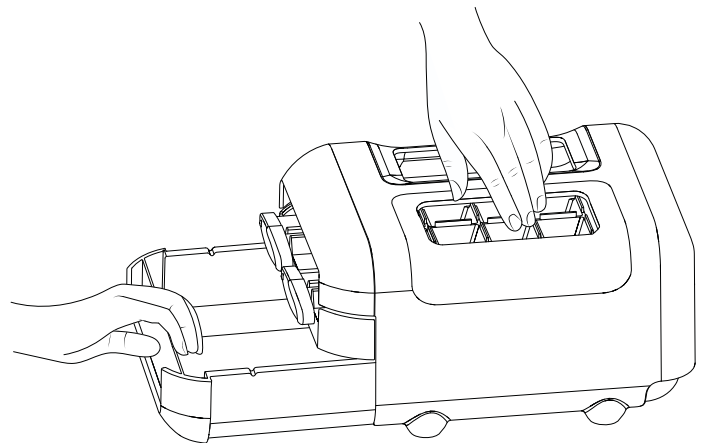
A. Afdekkap scharnier

## Ijsblokjesmaker

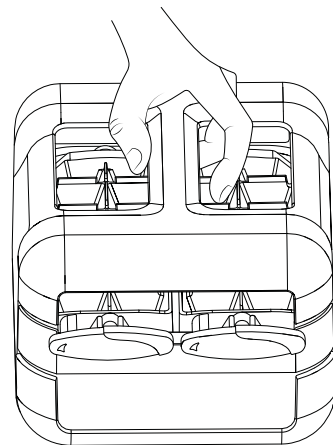
- Om ijsblokjes te maken vult u het ijsplateau met gezuiverd water en zet u de handmatige ijsblokjesmaker op het bovenste schap van de vriezer. Wacht tot het water bevroren is. Als het ijs klaar is, draait u de knoppen naar rechts om ijsblokjes in de ijsbak te laten vallen.



- Til de ijsbak een beetje op en trek hem naar buiten om bij de ijsblokjes te komen.



De handmatige ijsblokjesmaker kan uit de vriezer worden gehaald als u geen ijsblokjes nodig heeft, om meer ruimte te krijgen in de vriezer.



## Bewaren van voedsel

### Bewaren van eieren

Het wordt aanbevolen om eieren bij een constante temperatuur te bewaren om ze vers te houden, dus het is het best om ze op het middelste schap van de koelkast te bewaren.

# SCHAPPEN, VAKKEN EN LADES

## Belangrijke informatie over glazen plateaus en afdekplaten:

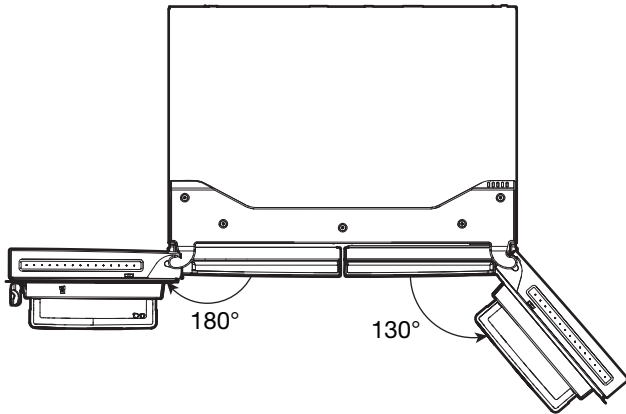
Reinig glazen plateaus en afdekplaten niet met warm water wanneer zij koud zijn. Plateaus en afdekplaten kunnen kapotgaan als zij plotseling van temperatuur veranderen of hard in aanraking komen met voorwerpen.

Gehard glas is zo gemaakt dat het bij breuk uiteenvalt in een groot aantal kleine stukjes ter grootte van een kiezelsteen. Dit is normaal. Glazen plateaus en afdekplaten zijn zwaar. Houd ze bij het uitnemen met beide handen vast om te voorkomen dat u ze laat vallen.

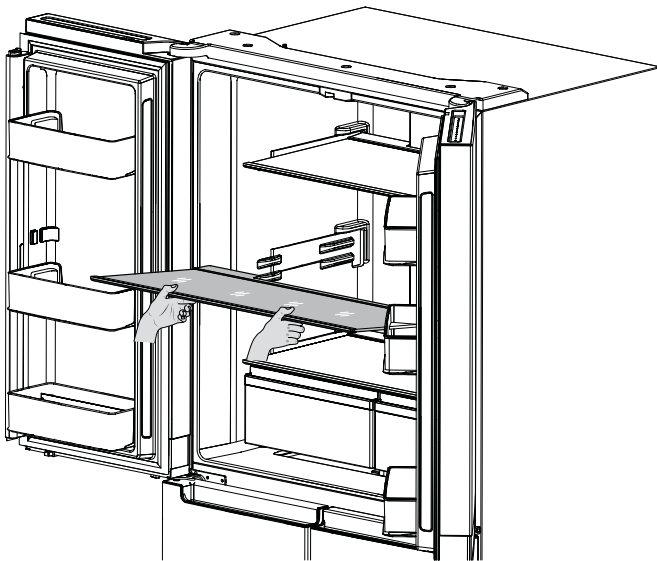
## Hoogte van de schappen aanpassen

De hoogte van de schappen kan worden aangepast door ze van de onderste steun op de bovenste steun te plaatsen en andersom

- Open de rechterdeur helemaal.
- Open de linkerdeur helemaal en til de deur op zodat hij 180° geopend is.



- Haal het schap uit de koelkast en plaats het op de gewenste hoogte.



- Zorg dat het schap goed op de steunen rust.

## Schappen en schapframes

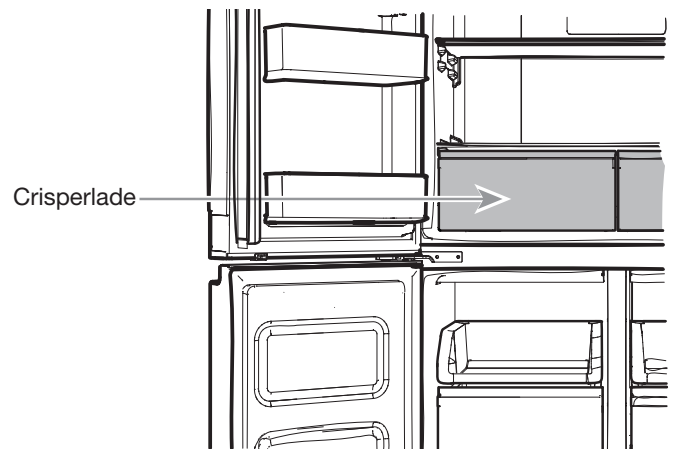
De schappen in uw koelkast zijn verstelbaar zodat u ze naar behoefte kunt aanpassen.

Door soortgelijke producten bij elkaar te bewaren en de schappen aan te passen aan de afmetingen van de verschillende artikelen, vindt u het gewenste product sneller terug. De deur van de koelkast zal dan ook minder lang openstaan, zodat u energie bespaart.

## Schappen verwijderen en terugplaatsen:

1. Open de rechter- en linkerdeur helemaal en til de linkerdeur op tot hij 180° geopend is.
2. Verwijder het middelste of bovenste schap door het van de steunen op te tillen. Trek het schap naar u toe en kantel het omlaag in een verticale positie. Draai het schap onder een hoek en trek het uit de koelkast.
3. Neem het onderste schap eruit door het van de steunen op te tillen. Trek het schap naar u toe en kantel het omhoog in een verticale positie. Draai het schap onder een hoek en trek het uit de koelkast.
4. Plaats het middelste en het bovenste schap terug door het onder een hoek in de koelkast te brengen, met de voorzijde omlaag. Breng de voorzijde omhoog en schuif het schap naar achteren tot de achterkant in de steunen valt. Leg de voorzijde neer en controleer of het schap goed ligt.
5. Plaats het onderste schap terug door het onder een hoek in de koelkast te brengen, met het schap omhoog. Breng de voorzijde omlaag en schuif het schap naar achteren tot het in de steunen valt. Leg de voorzijde neer en controleer of het schap goed ligt.

## Crisperladen

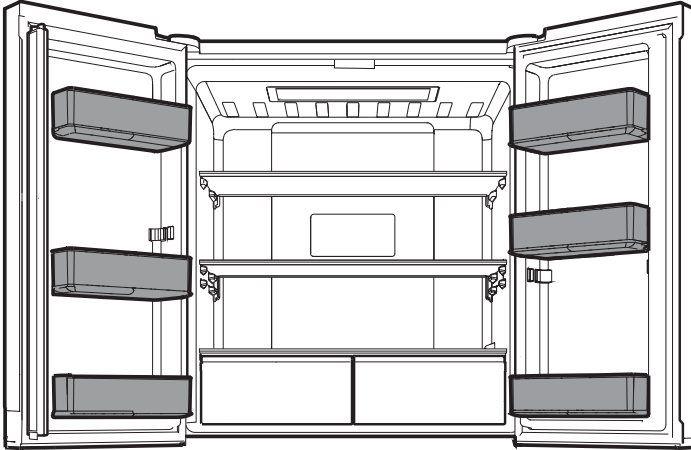


## De crisperlades verwijderen en terugplaatsen:

1. Pak de handgreep van de crisperlade en sluit hem recht naar buiten tot hij niet verder kan. Til de crisperlade van de onderste geleider.
2. Voor het terugplaatsen legt u de crisperlade op de onderste geleider en duwt u hem voorbij de stop op zijn plaats.

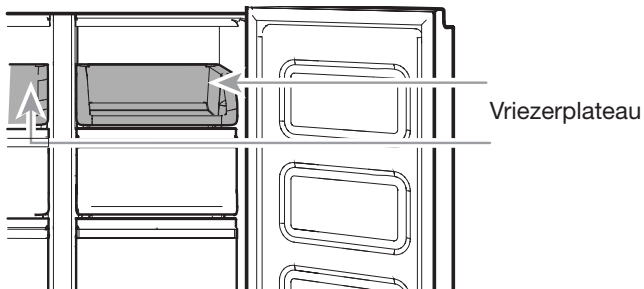
## Deurvakken van de koelkast

De vakken in de deuren van de koelkast zijn verstelbaar, zodat u ze naar behoefte kunt aanpassen.



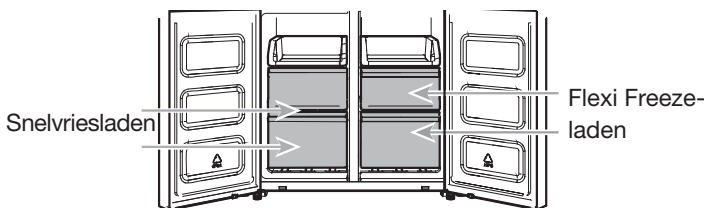
## Bewaarvakken in de vriezer

### Vriezerplateau



Het vriezerplateau is handig om snel toegang te hebben tot veelgebruikte producten, voor het invriezen of bewaren van restjes of kleine producten.

### Laden van de vriezer



### Vak voor snelvriezen

- Met de snelvriesladen kunt u makkelijk levensmiddelen met een groot volume opslaan.
- Met de snelvriesoptie kunt u al uw diepvriesproducten veilig en transparant opslaan.

### Flexi Freeze-vak (alleen bij WQ9 B1L, 6WM591NIHAS en WQ70900SXX)

Met het Flexi Freeze-vak kunt u een van drie vriezertemperaturen kiezen:  $-7^{\circ}\text{C}$ ,  $-12^{\circ}\text{C}$  en  $-18^{\circ}\text{C}$  om de beste opslagcondities voor verschillende soorten voedsel te bieden.

Voor een maximale capaciteit van de vriezer kunt u de vriezerlade verwijderen, zodat het vriesplateau vrij komt te liggen.

### De bovenste lade verwijderen:

1. Pak de handgreep van de lade en sluit hem recht naar buiten tot hij niet verder kan. Til de lade van de onderste geleider.
2. Voor het terugplaatsen legt u de lade op de onderste geleider en duwt u hem voorbij de stop op zijn plaats.

### Vriezerplateau (alleen bij WQ9 E1L en WQ9 B1L)

Om de capaciteit van de vriezer zo groot mogelijk te maken, kunt u de middelste lade verwijderen, zodat het vriesplateau eronder vrij komt te liggen. Bewaar de bovenste lade voor eventueel later gebruik en leg uw producten direct op het plateau.

## Betekenis van geluidssignalen

### Toewijzing geluidstonen

Naam toon	Voorbeeld toepassing
Apparaat aan	Elke keer wanneer het apparaat wordt aangezet.
Op knop drukken	Er wordt op een geldige knop gedrukt.
Ongeldig (fout)	Er is gelijktijdig op twee of meer geldige knoppen gedrukt. Onderbreking van aftelling bij drukken op en vasthouden van knoppen.
Geactiveerd / klaar	Bevestiging dat een modus is ingeschakeld.
Gedeactiveerd	Bevestiging dat een modus is uitgeschakeld.
Waarschuwing	Alarm deur open.

Bovenstaande tabel is alleen voor snelle naslag bedoeld. Zie voor gedetailleerde informatie de desbetreffende paragrafen. Bij tegenstrijdigheid prevaleert de informatie in de paragrafen.

## Accessoires

Neem voor de bestelling van accessoires contact op met de dealer bij wie u uw koelvriescombinatie hebt gekocht.

## Assistentie of onderhoud

Kijk voordat u belt voor assistentie of onderhoud onder "Probleemoplossing" hierna. Dat kan u de kosten van een servicebezoek besparen. Als u toch hulp nodig blijkt te hebben, volg dan onderstaande aanwijzingen.

### Als u vervangingsonderdelen nodig heeft

De dealer bij wie u uw koelvriescombinatie hebt gekocht kan u vertellen waar u in de buurt terecht kunt voor door de fabriek opgegeven vervangingsonderdelen.

### Garantie

Neem voor informatie over de garantie contact op met de dealer bij wie u de koelvriescombinatie heeft gekocht.

**Bewaar deze handleiding en uw aankoopbon samen voor toekomstig gebruik. Voor service binnen de garantietermijn moet u kunnen aantonen wanneer u het product hebt gekocht of geïnstalleerd.**

Noteer de volgende gegevens van uw apparaat voor het geval u later een beroep moet doen op assistentie of service. U zult dan het volledige modelnummer en serienummer moeten weten. Die gegevens vindt u op het typeplaatje met het modelnummer en het serienummer, aan de binnenkant van het koelgedeelte.

Naam dealer \_\_\_\_\_

Serienummer \_\_\_\_\_

Adres \_\_\_\_\_

Telefoonnummer \_\_\_\_\_

Modelnummer \_\_\_\_\_

Aankoopdatum \_\_\_\_\_



# ONDERHOUD VAN DE KOELVRIEZER

## Reiniging

### ⚠ WAARSCHUWING



#### Gevaar voor ontploffing

Gebruik een niet-ontvlambaar reinigingsmiddel.

Anders bestaat er gevaar voor ontploffing en/of brand met mogelijk fatale gevolgen.

Alle gedeelten van de koelkast, de vriezer en de Flexi Freeze-gedeeltes (alleen bij WQ9 B1L, 6WM591NIHAS en WQ70900SXX) worden automatisch ontdooid. Reinig alle vakken echter eenmaal per maand om geurtjes te voorkomen. Neem gemorste producten direct op met een doekje.

#### Schoonmaken van de buitenkant

Zie de voor uw model specifieke informatie over het schoonmaken van de buitenkant.

#### Uitvoering 1 – Gladde deur

**BELANGRIJK:** Beschadiging van de gladde afwerking van de deuren wegens onjuist gebruik van reinigingsproducten of gebruik van niet-aanbevolen reinigingsproducten valt niet onder de garantie. Scherpe of botte voorwerpen laten sporen achter op de deur.

WEL GEBRUIKEN	NIET GEBRUIKEN
✓ Zachte, schone doek	✗ Schurende doeken ✗ Keukenpapier of kranten ✗ Sponsjes van staalwol
✓ Warm water met zachte zeep	✗ Schuurpoeders of schuurmiddelen ✗ Ruitenreinigers ✗ Ammonia ✗ Zure of azijnhoudende reinigingsmiddelen ✗ Ovenreinigers ✗ Ontvlambare vloeistoffen

**OPMERKING:** Met keukenpapier maakt u krassen en kan de heldere coating van de gelakte deur dof worden. Om beschadiging te voorkomen, gebruikt u het best alleen zachte, schone doeken om voor het poetsen en afvegen.

#### Uitvoering 2 – Roestvrij staal

##### BELANGRIJK:

- Gebruik uitsluitend voor rvs aanbevolen schoonmaakmiddelen en doeken. Beschadiging van de rvs afwerking wegens onjuist gebruik van reinigingsproducten of gebruik van niet-aanbevolen reinigingsproducten valt niet onder de garantie.
- Vermijd contact tussen rvs apparatuur en bijtende of corrosieve elementen, zoals in omgevingen die een hoog zoutgehalte hebben of heel vochtig zijn. Beschadiging wegens blootstelling aan dergelijke elementen valt niet onder de garantie.

WEL GEBRUIKEN	NIET GEBRUIKEN
✓ Zachte, schone doek	✗ Schurende doeken ✗ Keukenpapier of kranten ✗ Sponsjes van staalwol
✓ Warm water met zachte zeep	✗ Schuurpoeders of schuurmiddelen ✗ Ammonia ✗ Reinigingsmiddelen op basis van citroensap ✗ Zure of azijnhoudende reinigingsmiddelen ✗ Ovenreinigers
✓ Gebruik bij sterke verontreiniging uitsluitend een voor huishoudelijke apparatuur ontwikkelde rvs-reiniger. Neem voor de bestelling van het schoonmaakmiddel contact op met de dealer bij wie u uw koelvriescombinatie hebt gekocht.	✗ Rvs-reiniger is alleen voor rvs-onderdelen. Zorg ervoor dat rvs-reinigers en rvs-poetsmiddelen niet in contact komen met plastic onderdelen zoals de afwerkingselementen, dispenserkapjes of deurrubbers.

#### Uitvoering 3 – Vingerafdrukbestendig roestvrij staal

##### BELANGRIJK:

- Vermijd contact tussen rvs apparatuur en bijtende of corrosieve elementen, zoals in omgevingen die een hoog zoutgehalte hebben of heel vochtig zijn. Beschadiging wegens blootstelling aan dergelijke elementen valt niet onder de garantie.

WEL GEBRUIKEN	NIET GEBRUIKEN
✓ Zachte, schone doek	✗ Schurende doeken ✗ Keukenpapier of kranten ✗ Sponsjes van staalwol
✓ Warm water met zachte zeep	✗ Schuurpoeders of schuurmiddelen ✗ Ruitenreinigers ✗ Ammonia ✗ Zure of azijnhoudende reinigingsmiddelen ✗ Ovenreinigers ✗ Ontvlambare vloeistoffen

## OPMERKINGEN:

- Als er per ongeluk toch contact ontstaat, kunt u het plastic afvegen met een spons en een zacht sopje. Droog goed na met een zachte droge doek.
- Ook een vloeibaar reinigingsmiddel kan een schurend effect hebben. Veel vloeibare middelen die ontwikkeld zijn voor tegelwerk en andere gladde ondergronden, zijn evengoed schadelijk voor roestvrij staal.
- Zo zal rvs bij gebruik van citroenzuur onherstelbaar verkleuren.
- Om beschadiging van de rvs-deuren van uw apparaat te voorkomen:

### Dient u de volgende stoffen zo snel mogelijk van de deur te verwijderen:

- |               |   |
|---------------|---|
| ✗ Mosterd     | ✗ Sauzen op basis van citrusvruchten    |
| ✗ Tomatensap  | ✗ Producten op basis van citrusvruchten |
| ✗ Marinarsaus |   |

---

### Schoonmaken van de binnenkant

---

1. Haal de stekker uit het stopcontact of schakel de stroom uit.
2. Maak alle verwijderbare onderdelen en inwendige vlakken grondig schoon met de hand, daarna afspoelen en goed afdrogen. Gebruik een schone spons of zachte doek en een zacht sopje.

**OPMERKING:** Gebruik voor de plastic onderdelen, de binnenkant en deurrubbers geen schurende of agressieve schoonmaakmiddelen zoals ruitensprays, schuurmiddelen, ontvlambare vloeistoffen, reinigende was, geconcentreerde reinigers, bleekmiddelen of schoonmaakmiddelen met aardolieproducten.

3. Doe de stekker in het stopcontact of schakel de stroom weer in.

---

### De condensator schoonmaken

---

Deze koelvriezer heeft een condensator aan beide kanten van de koelkast. Het is normaal dat deze aan de zijkanten warm aanvoelt.

---

## Verlichting

De verlichting in de koelkast en in de vriezer bestaat uit ledlampjes die niet hoeven te worden vervangen. Neem contact op met de dealer bij wie u de koelvriezer heeft gekocht als de verlichting uit blijft bij het openen van de deur.

---

## Verzorging bij vakantie en verhuizing

---

### Vakantie

---

#### Als u de koelvriezer aan wilt laten terwijl u weg bent:

1. Maak alles wat beperkt houdbaar is op en vries de overige producten in.
2. Sluit de watertoevoer naar de koelkast af als uw koelkast een automatische ijsmaker heeft en is aangesloten op de waterleiding bij u thuis. Als de watertoevoer niet is afgesloten, kan er materiële schade ontstaan.
3. Zet de ijsmaker uit als u een automatische ijsmaker hebt.
  - Zet de schakelaar voor de ijsmaker in de deur op Off (O).
4. Leeg de ijsvoorraadbak.

#### Als u de koelvriezer aan wilt laten terwijl u weg bent:

**OPMERKING:** Zet het apparaat in de Demo-modus als u op vakantie bent. Zie de paragraaf "Gebruik van het bedieningspaneel".

1. Haal alle levensmiddelen uit de koelvriezer.
2. Als uw koelkast een automatische ijsmaker heeft:
  - Sluit minstens 1 dag van tevoren de watertoevoer naar de ijsmaker af.
  - Zet nadat het laatste lading ijsblokjes is gevallen de schakelaar op Off (O), zodat het scherm uitgaat bovenin de koelkast, afhankelijk van uw model.
3. Maak de ijsvoorraadbak leeg.
4. Zet de temperatuurregeling uit. Zie de paragraaf "Gebruik van het bedieningspaneel".
5. Maak het apparaat schoon, veeg het af en droog goed na.
6. Plak met tape rubber of houten blokken vast aan de bovenkant van beide deuren, zodat ze op een kier blijven en er lucht naar binnen kan. Zo voorkomt u geurtjes en schimmelgroei.

---

### Verhuizen

---

Tref de volgende voorbereidingen wanneer u de koelvriezer gaat verhuizen.

1. Als uw koelkast een automatische ijsmaker heeft:
  - Sluit minstens 1 dag van tevoren de watertoevoer naar de ijsmaker af.
  - Sluit de watertoevoer af aan de achterzijde van de koelkast.
  - Zet nadat het laatste lading ijsblokjes is gevallen de schakelaar op Off (O) op de ijsblokjesmaker of het bedieningspaneel, afhankelijk van het model.
2. Haal alle levensmiddelen uit de koelvriezer en verpak alle ingevroren artikelen in droogijs.
3. Maak de ijsvoorraadbak leeg.
4. Haal de stekker uit het stopcontact.
5. Maak het apparaat schoon, veeg het af en droog het goed na.
6. Neem alle verwijderbare onderdelen uit het apparaat, pak ze goed in en doe er tape omheen zodat ze tijdens het vervoer niet verschuiven en rammelen.
7. Afhankelijk van het model tilt u het apparaat aan de voorzijde iets op om het beter te kunnen verrijden of draait u de stelbouten in zodat ze niet over de vloer schrapen. Zie de paragrafen "De deuren afstellen" of "Waterpas zetten en het sluiten van de deuren".
8. Tape de deuren dicht en tape het netsnoer vast aan de achterkant van het apparaat.

Doe op de plaats van bestemming alles terug op zijn plaats en raadpleeg daarbij "Aanwijzingen voor installatie". Heeft uw koelkast een automatische ijsmaker, vergeet dan niet de watertoevoer naar de koelkast aan te sluiten.

# PROBLEMEN OPLOSSEN

Probeer eerst de hier voorgestelde oplossingen om zo mogelijk bezoek van een service-medewerker te vermijden.

## ⚠ WAARSCHUWING



### Gevaar voor elektrische schok

**Sluit het apparaat aan op een geaard stopcontact.**

**Verwijder het aardcontact niet.**

**Gebruik geen adapter.**

**Gebruik geen verlengsnoer.**

**Het niet opvolgen van deze instructies kan leiden tot overlijden, brand of een elektrische schok.**

Probleem	Mogelijke oorzaken	Oplossing
<b>Werking van de koelkast</b>		
De koelkast doet het niet.	Controleer de elektrische aansluiting.	Steek de stekker in een geaard stopcontact. Gebruik geen verlengsnoer. Zorg ervoor dat er stroom staat op het stopcontact. Controleer of het stopcontact werkt door er een lamp op aan te sluiten. Zet een geactiveerde stroomonderbreker terug. Vervang doorgebrande zekeringen. <b>OPMERKING:</b> Neem contact op met een monteur als het probleem aanhoudt.
	Controleer het bedieningspaneel.	Zorg ervoor dat het bedieningspaneel aanstaat. Zie de paragraaf "Gebruik van het bedieningspaneel".
	Nieuwe installatie.	Na installatie duurt het 24 uur voordat de koelkast volledig koelt. <b>OPMERKING:</b> De temperatuur in de vriezer en de koelkast daalt niet sneller als u in het bedieningspaneel de laagste stand instelt.
	De koelkast staat in de Demo-modus (op sommige modellen).	Als de koelkast in de Demo-modus staat, is de koelfunctie uitgeschakeld en brandt "Demo" op het bedieningspaneel. Zie "Gebruik van het bedieningspaneel" voor meer informatie.
De motor lijkt te veel te draaien.	Uiterst efficiënte compressor en ventilatoren.	Grotere, efficiëntere koelkasten draaien langer op lagere, energiezuiniger snelheden.
	Het is erg warm in de kamer of buiten.	Onder die omstandigheden is het normaal dat de koelkast langer werkt. De koelkast werkt optimaal in een binnenruimte met temperatuurregeling. Zie de paragraaf "Vereisten m.b.t. de locatie".
	Er zijn recentelijk veel warme levensmiddelen bewaard.	Als u warme levensmiddelen in de koelkast bewaart, draait de koelkast langer door om de lucht terug op de juiste temperatuur te brengen.
	De deuren gaan te vaak open of staan te lang open.	De koelkast moet extra draaien als er warme lucht in komt. Open de deur minder vaak.
	De deur van de koelkast of de lade van de vriezer is open.	Controleer of de koelkast waterpas staat. Zie de paragraaf "Waterpas zetten en het sluiten van de deuren". Zorg ervoor dat er niets tussen de deur kan komen.
	De koeltemperatuur is te laag ingesteld.	Stel de koeltemperatuur in op een minder lage waarde tot de gewenste temperatuur is bereikt.
	Het deur- of laderubber is vuil, versleten of gebarsten.	Reinig of vervang het rubber. Bij lekkage langs de rubbers van de deuren of lade draait het apparaat langer om de gewenste temperaturen te handhaven.

# PROBLEMEN OPLOSSEN

Probeer eerst de hier voorgestelde oplossingen om zo mogelijk bezoek van een service-medewerker te vermijden.

Probleem	Mogelijke oorzaken	Oplossing
De verlichting doet het niet.	Uw koelkast is voorzien van ledverlichting die niet hoeft te worden vervangen.	Als de verlichting niet aangaat wanneer u een deur of de lade opent, terwijl de koelkast wel stroom heeft, bel dan om assistentie.
	De deuren hebben langer dan 10 minuten opengestaan.	Sluit de deuren en de lade om de instelling terug te zetten. Bij opnieuw openen van deur of lade werkt verlichting weer.
	De deurschakelaar merkt niet op wanneer een deur opengaat.	Zorg ervoor dat zich binnen 7,62 cm van de scharnierafdekkap geen magneten of elektronische apparaten bevinden.
Het bedieningspaneel voor temperatuurregeling gaat niet aan.	De temperatuurregeling is in de slaapstand gegaan.	Druk op een willekeurige toets op het bedieningspaneel om de temperatuurregeling te activeren.
	De toetsen van de temperatuurregeling werken niet goed.	Probeer de koelkast uit en weer aan te zetten om de toetsen te resetten. Bel de Klantenservice als het probleem aanhoudt.
	Het bedieningspaneel voor temperatuurregeling ontvangt geenxstroom.	Controleer de bedrading in het deurscharnier.
De instelling op het bedieningspaneel voor de temperatuurregeling kan niet aangepast worden.	De deur is open en het alarm Deur open is actief.	Sluit de deur.
<b>Ongebruikelijke geluiden</b>		
Als u op de website van Whirlpool onder Product Help/FAQ (Producthulp/FAQ) zoekt op “normal sounds” (“normale geluiden”), kunt u luisteren naar de geluiden die gewoon zijn voor uw koelvriezer. Hieronder volgen enkele gewone geluiden met een toelichting.		
De koelkast lijkt veel geluid te maken.	De compressor in uw nieuwe apparaat regelt de temperatuur efficiënter, gebruikt minder energie en werkt stiller.	Daardoor kan het zijn dat u voor u onbekende geluiden opmerkt die normaal zijn.
Geluid van langer dan verwacht draaiende compressor.	Uiterst efficiënte compressor en ventilatoren.	Grotere, efficiëntere koelkasten draaien langer op lagere, energiezuiniger snelheden.
Pulseren/zoemen	De ventilatoren/compressor die zich instellen op optimale prestaties tijdens normale werking van de compressor.	Dit is normaal.
Ploffen	Krimpen/uitzetten van binnenwanden, vooral tijdens eerste afkoeling.	Dit is normaal.
Ruisen/druppelen	Stroming van koelmiddel of olie in de compressor.	Dit is normaal.
Trillen	De koelvriezer staat niet stabiel.	Draai aan de stelschroeven en draai de stelvoet stevig tegen de vloer. Zie de paragraaf “Waterpas zetten en het sluiten van de deuren”.
Tikken/kloppen	Beweging van de waterleiding tegen de koelkast of van op de koelkast geplaatste voorwerpen.	Plaats de waterafvoerleiding verder van de koelkast of maak de leiding eraan vast. Zie de paragraaf “De watertoevoer aansluiten” of haal de op de koelkast geplaatste voorwerpen weg.
Sissen	Waterdruppels die op de verw warmer vallen tijdens het ontdooien.	Dit is normaal.
Lopend/borrele water	Kan te horen zijn wanneer tijdens het ontdooien smeltijs in de afvoerbak loopt.	Dit is normaal.

# PROBLEMEN OPLOSSEN

Probeer eerst de hier voorgestelde oplossingen om zo mogelijk bezoek van een service-medewerker te vermijden.

Probleem	Mogelijke oorzaken	Oplossing
<b>Temperatuur en vocht</b>		
Temperatuur is te hoog.	De koelkast is nog maar net geïnstalleerd.	Na installatie duurt het 24 uur voordat de koelkast volledig koelt.
	De temperatuur is niet ingesteld op de omgevingstemperatuur.	Stel de temperatuur in op een lagere waarde. Controleer de temperatuur na 24 uur. Zie de paragraaf "Gebruik van het bedieningspaneel".
	De deur gaat te vaak open of gaat niet helemaal dicht. Zo kan er warme lucht de koelkast inkomen.	Open de deuren zo min mogelijk en doe ze goed dicht.
	Er zijn recentelijk veel levensmiddelen bewaard.	Geef de koelkast een paar uur de tijd om weer de normale temperatuur te bereiken.
	Demo-modus is ingeschakeld.	Schakel de Demo-modus uit. Zie "Gebruik van het bedieningspaneel".
	Vakantiemodus is ingeschakeld.	Schakel de Vakantiemodus uit. Zie "Gebruik van het bedieningspaneel".
Temperatuur in de koelkast/groentela is te laag.	De ventilatieopening van de koelkast is verstopt.	Als er producten direct voor de ventilatieopening in het midden van de achterwand van de koelkast staan, wordt de koelkast te koud. Haal de producten voor de ventilatieopening weg.
	De temperatuur is niet ingesteld op de omgevingstemperatuur.	Stel de temperatuur in op een hogere waarde. Controleer de temperatuur na 24 uur. Zie de paragraaf "Gebruik van het bedieningspaneel".
	De ijsvoorraadbak is verkeerd geplaatst.	Zie de paragraaf "Ijsmaker en voorraadbak".
Temperatuur in de lade met temperatuurregeling is te laag.	De temperatuur is niet goed ingesteld voor de artikelen in de la.	Stel de temperatuur bij. Zie de paragraaf "Gebruik van het bedieningspaneel" in de paragraaf over "Gebruik van de koelkast".
Er is vochtophoping aan de binnenkant. <b>OPMERKING:</b> Enige vochtophoping is normaal.	De kamer is vochtig.	Een vochtige omgeving draagt bij tot vochtophoping.
	De deur gaat te vaak open of gaat niet helemaal dicht. Zo kan er vochtige lucht de koelkast inkomen.	Open de deuren zo min mogelijk en doe ze goed dicht.
	Er zit iets tussen de deur(en).	Zet verpakkingen verder bij de deur vandaan.
	Een vak of schap zit in de weg.	Duw het vak of schap terug in de juiste positie.
	Bewaren van vloeistoffen zonder ze af te sluiten.	Dit verhoogt de vochtigheid in de koelkast. Sluit alle verpakkingen goed af.
Er hoopt zich ijs op in de vriezer.	De vrieslade gaat te vaak open of blijft openstaan.	Open de vrieslade zo min mogelijk en doe de lade na gebruik goed dicht.
	De deur heeft een slechte afdichting.	Zorg ervoor dat de deurrubbers overal volledig aandrukken tegen de koelkast, zodat een goede afdichting wordt bereikt.
	De temperatuur is niet goed ingesteld.	Zie "Gebruik van het bedieningspaneel" voor aanbevolen temperatuurinstellingen.

# PROBLEMEN OPLOSSEN

Probeer eerst de hier voorgestelde oplossingen om zo mogelijk bezoek van een service-medewerker te vermijden.

**⚠ WAARSCHUWING**



**Gevaar voor ontploffing**  
**Gebruik een niet-ontvlambaar reinigingsmiddel.**  
**Anders bestaat er gevaar voor ontploffing en/of brand met mogelijk fatale gevolgen.**

Als u op de website van Whirlpool onder Product Help/FAQ (Producthulp/FAQ) zoekt op “Door Closing and Door Alignment” (“Sluiten en uitlijnen van de deuren”), vindt u een animatie over het stellen en uitlijnen van de deuren.

Probleem	Mogelijke oorzaken	Oplossing
<b>Deuren</b>		
De deuren gaan niet goed dicht.	Er zit iets tussen de deur.	Zet verpakkingen verder bij de deur vandaan.
	Een vak of schap zit in de weg.	Duw het vak of schap terug in de juiste positie.
	Recentelijk geïnstalleerd	Verwijder al het verpakkingsmateriaal.
De deuren gaan moeilijk open.	De deurrubbers zijn vuil of plakkerig.	Maak de rubbers en de rand waar ze tegenaan komen, schoon met een zacht warm sopje. Spoel af en droog na met een zachte doek.
De deuren staan niet gelijk.	De deuren moeten worden uitgelijnd of de koelvriezer moet waterpas worden gezet.	Bel voor het laten uitlijnen van de deur met de Klantenservice.
De koelvriezer wiebelt of rolt naar voren bij het openen en sluiten van de deuren.	De remvoeten van de koelvriezer drukken niet op de vloer.	Draai beide remvoeten (aan weerszijden) evenveel naar links tot ze tegen de vloer drukken. Zie de paragraaf “Waterpas zetten en het sluiten van de deuren”.

# Innehållsförteckning

<b>SÄKERHET FÖR KYLSKÅP</b> .....	<b>200</b>
Korrekt kassering av ditt gamla kylskåp .....	203
<b>DELAR OCH FUNKTIONER</b> .....	<b>204</b>
<b>INSTALLATIONSANVISNINGAR</b> .....	<b>205</b>
Komma igång.....	205
Packa upp kylskåpet .....	205
Placeringskrav.....	206
Elektriska krav .....	206
Demontera och montera kylskåpsdörrar .....	208
Demontera och montera Freezer/Flexi Freeze-dörr .....	210
Avvägning av kylskåp .....	211
Använda kontrollerna .....	212
Kylskåpets belysning .....	213
<b>ANVÄNDNING AV KYLSKÅP</b> .....	<b>214</b>
Öppning och stängning av dörrar .....	214
Förvaring av mat .....	214
<b>HYLLOR, FACK OCH LÅDOR</b> .....	<b>215</b>
Frysavdelningar.....	216
Ljudreferens .....	216
Tillbehör.....	216
Assistans eller Service .....	216
<b>VÅRD AV KYLSKÅPET</b> .....	<b>217</b>
Rengöring.....	217
Belysning.....	218
Vård vid semester och flyttning .....	218
<b>FELSÖKNING</b> .....	<b>219</b>

# SÄKERHET FÖR KYLSKÅP

## Din och andras säkerhet är mycket viktig.

Du finner många viktiga säkerhetsmeddelanden i denna handbok och på din apparat. Läs och följ alltid alla säkerhetsmeddelanden.



Detta är varningssymbolen beträffande säkerhet.

Denna symbol varnar dig om potentiella risker som kan döda eller skada dig och andra.

Alla säkerhetsmeddelanden följer varningssymbolen beträffande säkerhet med antingen ordet "FARA" eller "VARNING". Dessa ord innebär att:

**⚠ FARA**

Du kan dödas eller skadas allvarligt om du inte omedelbart följer instruktionerna.

**⚠ VARNING**

Du kan dödas eller skadas allvarligt om du inte följer instruktionerna.

Alla säkerhetsmeddelanden talar om för dig vad den potentiella risken är, hur du ska reducera skaderisken och vad som kan hända om instruktionerna inte följs.



## SÄKERHETSFÖRESKRIFTER

Läs noga igenom dessa säkerhetsföreskrifter innan du använder produkten. Förvara dem nära till hands för framtida referens. Dessa föreskrifter och själva produkten ger viktiga säkerhetsvarningar som alltid måste observeras. Tillverkaren ansvarar inte för underlåtenhet att observera dessa säkerhetsföreskrifter, olämplig användning av produkten eller felaktiga inställningar av kontroller.

⚠ Mycket unga barn (0-3 år) bör hållas på säkert avstånd från produkten. Unga barn (3-8 år) bör hållas på säkert avstånd från produkten såvida de inte övervakas av en vuxen person. Barn över 8 år och personer med reducerad fysisk, sensorisk eller mental kapacitet, eller saknar erfarenhet och kunskap, kan använda denna produkt endast om de övervakas eller har erhållit instruktioner om en säker användning och förstår riskerna med att använda produkten. Barn får inte leka med produkten. Rengöring och användarens underhåll får inte utföras av barn utan överinseende av en vuxen person.

### TILLÅTEN ANVÄNDNING

⚠ FÖRSIKTIGHET: Produkten är inte avsedd att användas med en extern omkopplingsenhet, såsom en timer, eller ett separat fjärrkontrollsystem.

⚠ Denna produkt är avsedd att användas i hushåll och liknande applikationer såsom: köksområden i affärer, kontor och andra arbetsmiljöer, lantgårdsbyggnader, av kunder på hotell, motell, "bed & breakfast" och andra bostadsmiljöer.

⚠ Denna produkt är inte avsedd för professionell användning. Använd inte denna produkt utomhus.

⚠ Produkten är avsedd att användas på platser där omgivningstemperaturen ligger inom följande områden, enligt den klimatklass som anges på typskylten. Produkten kanske inte fungerar korrekt om den lämnas vid en temperatur utanför det specificerade området under en längre tid.

Klimatklass omgiv. T. (°C)

SN: Från 10 till 32 °C, N: Från 16 till 32 °C

ST: Från 16 till 38 °C, T: Från 16 till 43 °C

⚠ Denna produkt innehåller inte CFC:er. Köldmedelskretsen innehåller R600a (HC). Produkter med isobutan (R600a): isobutan är en naturgas utan miljöpåverkan, men den är antändlig. Se därför till att köldmedelskretsens rörledning inte skadas, särskilt när köldmedelskretsen töms.

⚠ VARNING: Var noga med att inte skada rörledningarna i produktens köldmedelskrets.

⚠ VARNING: Se till att inte blockera ventilationsöppningar i produktens inkapsling eller i den inbyggda strukturen.

## VIKTIGT ATT LÄSA OCH OBSERVERA

⚠ VARNING: Använd inga mekaniska, elektriska eller kemiska medel utöver de som rekommenderas av tillverkaren för att påskynda avfrostningsprocessen.

⚠ VARNING: Använd inte och placera inte elektriska enheter inne i produkten om de inte är av en typ som uttryckligen har godkänts av tillverkaren.

⚠ VARNING: Ismaskiner och/eller vattendispensrar som inte är direkt anslutna till vattenförsörjningen får endast fyllas med dricksvatten.

⚠ VARNING: Automatiska ismaskiner och/eller vattendispensrar får endast anslutas till en vattenförsörjning som levererar dricksvatten, med ett vattentryck i huvudförsörjningen mellan 0,17 och 0,81 MPa (1,7 och 8,1 bar).

⚠ Förvara inte explosiva substanser såsom aerosolburkar med ett antändligt drivmedel i denna produkt.

⚠ Svälj inte innehållet (giftfritt) i kylklamparna (medföljer vissa modeller). Ät inte iskuber eller isglass direkt efter att de har tagits ut från frysen eftersom de kan orsaka kallbrännskador.

⚠ För produkter avsedda att använda ett luftfilter inuti en åtkomlig fläktkåpa måste filtret alltid vara på plats när kylskåpet arbetar.

⚠ Förvara inte glasbehållare med vätskor i frysavdelningen eftersom de kan gå sönder. Blockera inte fläkten (i förekommande fall) med livsmedel. När maten har lagts in, kontrollera att dörrarna till avdelningarna stänger ordentligt, särskilt frysdörren.

⚠ Skadade packningar och tätningar måste snarast bytas ut.

⚠ Använd kylavdelningen endast för förvaring av färsk livsmedel och frysavdelningen endast för förvaring av fryst mat, infrysning av färsk livsmedel och för att göra iskuber.

⚠ Undvik att förvara ej förpackad mat i direkt kontakt med de interna ytorna i kylen eller frysen. Hushållsapparater kan ha speciella avdelningar (avdelning för färsk livsmedel, nollgradig låda, etc.). Såvida inte annat anges i produktens handbok kan de avlägsnas, och upprätthålla motsvarande prestanda.

### INSTALLATION

⚠ Produkten måste hanteras och installeras av två eller fler personer - risk för personskador. Använd skyddshandskar under upppackning och installation - risk för skärskadorna.

⚠ Installation, inklusive vattenförsörjning (i förekommande fall) och elektriska anslutningar samt reparationer måste utföras av en kvalificerad tekniker. Reparera inte och byt inte ut någon del av produkten såvida inte detta uttryckligen anges i användarhandboken. Håll barn på säkert avstånd från installationsplatsen.

När produkten har packats upp, kontrollera att den inte har skadats under transporten. I händelse av problem, kontakta återförsäljaren eller närmaste Kundtjänst. Efter installation måste förpackningsmaterialet (plast, frigolitdelar, etc.) förvaras utom räckhåll för barn - risk för kvävning. Produkten måste kopplas loss från elnätet före alla installationsmoment - risk för elektriska stötar. Under installation, se noga till att produkten inte skadar nätkabeln - risk för brand eller elektriska stötar. Aktivera produkten endast när installationen har slutförts.

⚠ Var försiktig så att golvet (t.ex. parkett) inte skadas när produkten flyttas. Installera produkten på ett golv eller stöd som är starkt nog att bära produktens vikt, och på en plats som är lämplig för produktens storlek och användning. Se till att produkten inte står nära en värmekälla och att de fyra fötterna är stabila och har kontakt med golvet. Justera dem efter behov och kontrollera att produkten är i våg med ett vattenpass. Vänta minst två timmar innan du sätter på produkten, detta för att säkerställa att köldmedelskretsen är fullt effektiv.

⚠ För att säkerställa adekvat ventilation, lämna ett fritt utrymme på båda sidor och över produkten. Avståndet mellan produktens baksida och väggen bakom produkten bör vara minst 50 mm för att undvika kontakt med heta ytor. En minskning av detta utrymme ökar produktens energiförbrukning.

⚠ **VARNING:** För att undvika säkerhetsrisker på grund av instabilitet måste placering eller fixering av produkten utföras enligt tillverkarens instruktioner. Det är förbjudet att placera produkten på ett sådant sätt att metallslangen till en gasugn, metallgasrör eller vattenrör, eller elektriska ledningar har kontakt med kylskåpets bakre vägg (kondensatorspole).

⚠ Om det är nödvändigt att byta dörrarna, kontakta Technical Assistance Center.

### **ELEKTRISKA VARNINGAR**

⚠ Det måste vara möjligt att koppla loss produkten från elnätet genom att koppla loss en åtkomlig stickkontakt, eller med en flerpölig strömbrytare installerad uppströms från eluttaget enligt gällande bestämmelser för ledningsdragning, och produkten måste vara jordad enligt nationella elektriska säkerhetsstandarder.

⚠ Använd inte förlängningskablar, grenuttag eller adaptrar. De elektriska komponenterna får inte vara åtkomliga för användaren efter installationen. Använd inte produkten när du är våt eller barfota. Använd inte denna produkt om den har en skadad nätkabel eller stickkontakt, om den inte fungerar korrekt eller om den har skadats eller tappats.

⚠ Om nätkabeln är skadad måste den ersättas med en identisk nätkabel av tillverkaren, dennes serviceagent eller någon annan kvalificerad person för att undvika säkerhetsrisker - risk för elektriska stötar.

⚠ **VARNING:** När produkten ställs på plats, se till att nätkabeln inte fastnar eller skadas.


⚠ **VARNING:** Placera inte portabla grenuttag eller nätaggregat på baksidan av produkten.

### **RENGÖRING OCH UNDERHÅLL**

⚠ **VARNING:** Se noga till att stänga av produkten och koppla loss den från elnätet innan någon form av underhåll utförs. Använd aldrig ångrengöringsutrustning - risk för elektriska stötar.

⚠ Använd inte abrasiva eller skarpa rengöringsmedel såsom fönstersprayer, skurmedel, brandfarliga vätskor, rengöringsvaxer, koncentrerade tvättmedel, blekmedel, eller rengöringsmedel som innehåller petroleumprodukter, på plastdelar, inre foder och dörrfoder, eller tätningar. Använd inte pappershanddukar, skurkuddar eller andra skarpa rengöringsverktyg.


### **KASSERING AV FÖRPACKNINGSMATERIAL**

Förpackningsmaterialet kan återvinnas till 100 % och är märkt med återvinningsymbolen .

De olika delarna av förpackningen måste därför kasseras på ett ansvarsfullt sätt och enligt lokala bestämmelser om avfallshantering.

### **KASSERING AV HUSHÅLLSAPPARATER**

Denna produkt är tillverkad med återvinningsbara eller återanvändbara material. Kassera produkten enligt lokala avfallsbestämmelser. För ytterligare information om behandlingen och återvinningen av elektriska hushållsapparater, kontakta de lokala myndigheterna, sophanteringstjänsten eller butiken där du köpte produkten. Denna produkt är märkt enligt EU-direktiv 2012/19/EU om Avfall, elektrisk och elektronisk utrustning (WEEE). Genom att se till att denna produkt kasseras på rätt sätt bidrar du till att förhindra negativa konsekvenser för både miljön och vår hälsa.

Symbolen  på produkten, eller i medföljande dokumentation, indikerar att denna produkt inte får hanteras som kommunalt avfall, utan måste lämnas in hos en speciell uppsamlingsstation för återvinning av elektrisk och elektronisk utrustning.

### **TIPS OM ENERGIBESPARING**

Installera produkten i ett torrt, välventilerat rum på säkert avstånd från värmekällor (t.ex. element, spis, etc.) och på en plats som inte exponeras för direkt solsken. Om nödvändigt, använd en isolerplatta.

För att säkerställa en adekvat ventilation, följ noga installationsanvisningarna. Bristfällig ventilation på produktens baksida ökar energiförbrukningen och minskar kylningseffektiviteten.

Frekvent dörröppning kan medföra en ökning i energiförbrukningen. Produktens interna temperatur och energiförbrukning kan också påverkas av omgivningstemperaturen och platsen där produkten placeras. Temperaturinställningen bör ta hänsyn till dessa faktorer.

Reducera dörröppningen till ett minimum.

Vid upptining av fryst mat, lägg in maten i kylskåpet. Den låga temperaturen hos de frysta produkterna kyler maten i kylskåpet. Låt varm mat och drycker kallna innan de ställs in i produkten.

Placeringen av hyllorna i kylskåpet påverkar inte energiförbrukningen. Mat och livsmedel bör placeras på hyllorna så att de tillåter korrekt luftcirkulation (mat/livsmedel bör inte vidröra varandra och ett avstånd mellan mat och den bakre väggen bör upprätthållas).

Du kan öka förvaringskapaciteten för fryst mat genom att avlägsna korgarna och, i förekommande fall, hyllan "Stop Frost".

Oroa dig inte för oljud som kommer från kompressorn, det är oljud som beskrivs som normala buller i denna produkts Snabbguide.



## Korrekt kassering av ditt gamla kylskåp

### **⚠ VARNING**

#### **Risk för kvävning**

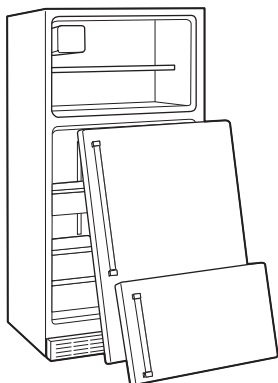
**Avlägsna dörrarna från ditt gamla kylskåp.**

**Underlåtenhet att göra detta kan resultera i dödsfall eller hjärnskador.**

**VIKTIGT:** Barn som blir instängda och kvävs är inte problem som tillhör det förgångna. Skrotade eller övergivna kylskåp är fortfarande farliga - även om de blir stående "endast några få dagar". När du gör dig av med ditt gamla kylskåp, följ dessa instruktioner för att undvika olyckor.

#### **Innan du kastar ditt gamla kylskåp eller frys:**

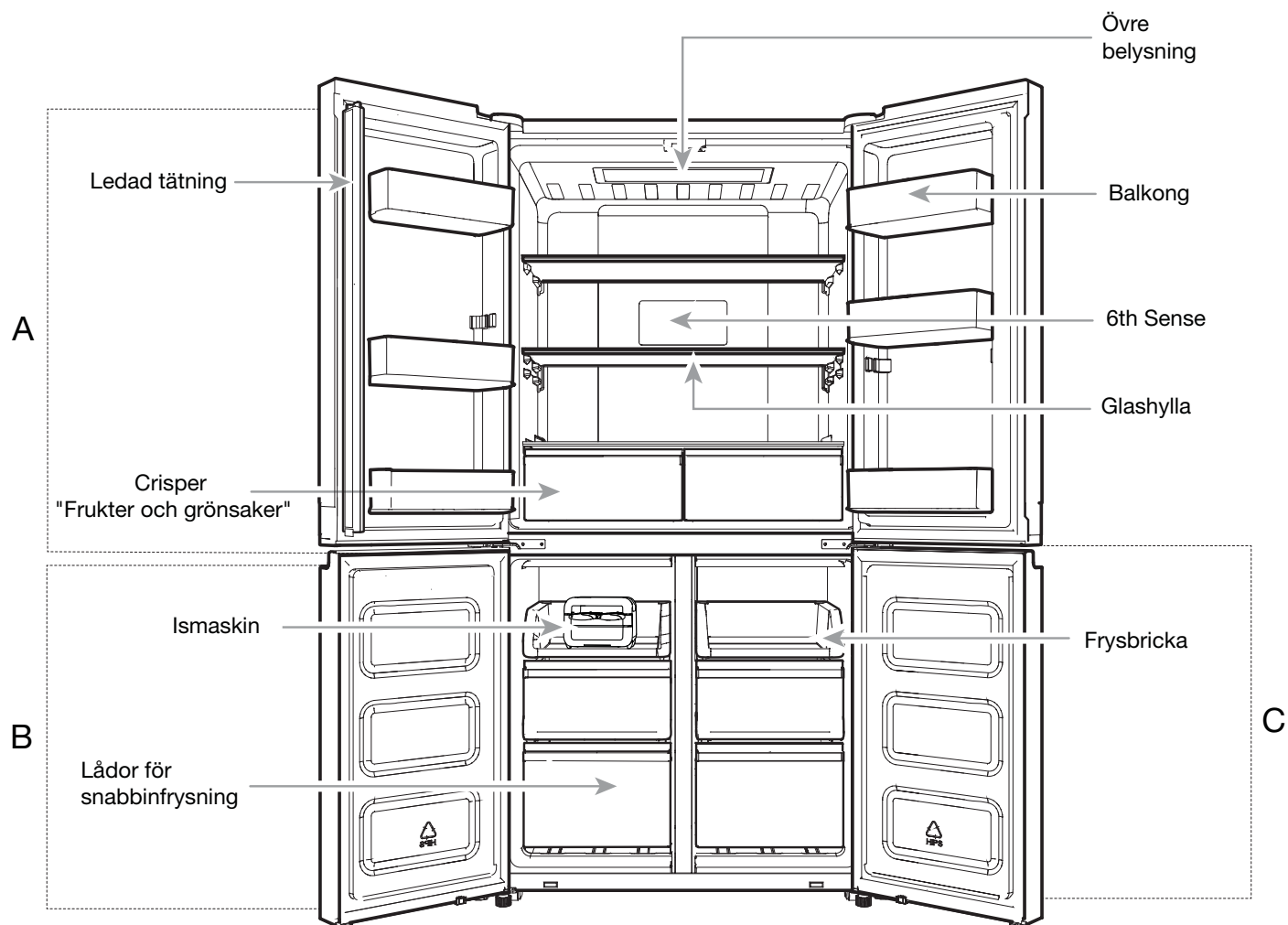
- Ta av dörrarna.
- Lämna hyllorna på plats så att barn inte utan vidare kan klättra in.



#### **Viktig information att känna till om kassering av köldmedel:**

Kassera kylskåpet enligt nationella och lokala bestämmelser. Köldmedel måste evakueras av en licensierad köldmedelstekniker enligt fastställda procedurer.

# DELAR OCH FUNKTIONER



A . Kylskåp

B . Frys

C . Flexi-frys (endast med WQ9 B1L, 6WM591NIHAS och WQ70900SXX)

# INSTALLATIONSANVISNINGAR

## Komma igång INSTALLATION - CHECKLISTA

### ✓ Nätanslutning

### ⚠ VARNING



#### Risk för elektriska stötar

- Anslut till ett jordat eluttag.
- Avlägsna inte jordstiftet.
- Använd inte en adapter.
- Använd ingen förlängningskabel.
- Underlåtenhet att följa dessa anvisningar kan leda till dödsfall, eldsvåda eller elektrisk stöt.

- Anslut kylskåpet till ett jordat eluttag.

### ✓ Dörrar

- Om dörrar behöver avlägsnas under installation, se avsnitten "Demontera och montera kylskåpsdörrar" och "Demontera och montera fryslådans fronter".
- Dörrar sluter helt tätt vid stängning.
- Kylskåpet står i våg. Justera avvägningsfötterna så att de ligger an mot golvet.
- Dörrar är i nivå längs ovansidan. (Använd vid behov funktionen för dörrinriktning.)

### ✓ Slutliga kontroller

- Avlägsna allt förpackningsmaterial.
- Ställ in temperaturkontroller på de rekommenderade värdena.
- Spara instruktioner och övrig litteratur.
- För att erhålla en mer fullständig assistans, registrera din produkt på [www.whirlpool.eu/register](http://www.whirlpool.eu/register).

## Packa upp kylskåpet

### ⚠ VARNING

#### Fara för tung vikt

Använd två eller fler personer för att flytta och installera kylskåpet.

Underlåtenhet att göra detta kan leda till rygg- eller andra personskador.

### Leverans av kylskåp

En min. dörröppning på 838 mm (33") krävs. Om dörröppningen är 914 mm (36") eller mindre måste dörrar, låda och gångjärn avlägsnas.

Transportera kylskåpet från sidan för alla dörröppningar.

### När du flyttar kylskåpet:

Kylskåpet är tungt. När det flyttas för rengöring eller service, var noga med att täcka golvet med kartong eller hårdpapp för att undvika golvsador. Dra alltid kylskåpet rakt ut när det flyttas. Vippa eller "gå" inte med kylskåpet när det flyttas eftersom golvet kan skadas.

### Avlägsna förpackningen

- Avlägsna tejp och limrester från ytor innan kylskåpet sätts på. Gnugga lite flytande diskmedel över limmet med dina fingrar. Torka av med varmt vatten och torka torrt.
- Använd inte vassa instrument, rengörings-sprit, brandfarliga vätskor eller abrasiva rengöringsmedel för att ta bort tejp eller lim. Dessa produkter kan skada kylskåpets yta.
- Kassera eller återvinn allt förpackningsmaterial.

### Rengör före användning

När du har avlägsnat allt förpackningsmaterial, rengör kylskåpet invändigt innan det används. Se instruktionerna för rengöring i avsnittet "Vård av kylskåpet".

### Viktig information att känna till om glashyllor och luckor:

Rengör inte glashyllor och luckor med varmvatten när de är kalla. Glashyllor och luckor kan gå sönder om de exponeras för plötsliga temperaturförändringar eller slag och stötar. Tempererat glas är utformat för att splittras i många små, småstensstora bitar. Detta är normalt. Glashyllor och luckor är tunga. Använd båda händerna när de avlägsnas för att inte tappa dem.

## Placeringskrav

### ⚠ VARNING



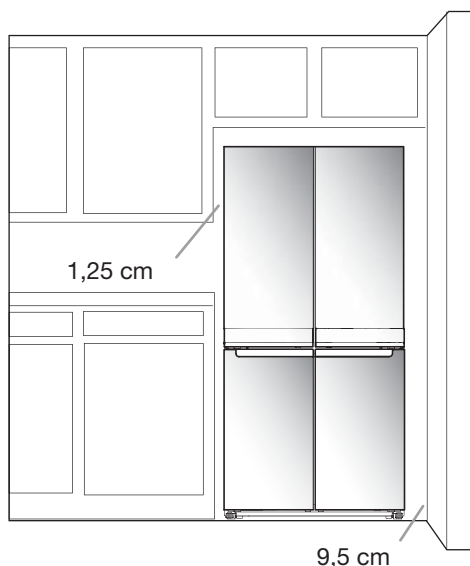
#### Explosionsrisk

Håll brandfarliga material och ångor, såsom bensin, på säkert avstånd från kylskåpet.

Underlåtenhet att göra detta kan resultera i dödsfall, explosion eller brand.

För att säkerställa korrekt ventilation för kylskåpet, se till att det är ett fritt utrymme på minst 1,25 cm på varje sida och på ovasidan. Se till att det är ett fritt utrymme på minst 5 cm bakom kylskåpet. Om kylskåpet har en ismaskin, lämna extra utrymme på baksidan för anslutning av en vattenledning. När kylskåpet installeras intill en fast vägg, lämna minst 9,5 cm fritt utrymme mellan kylskåpet och väggen så att dörren kan svängas upp.

**ANMÄRKNING:** Detta kylskåp är avsett att användas på en plats där temperaturen ligger inom området 10 till 43 °C. Den rekommenderade rumstemperaturen för optimala prestanda, som reducerar elförbrukningen och ger den bästa kylningen, är mellan 15 och 32 °C. Vi rekommenderar att du inte installerar kylskåpet nära en värmekälla, t.ex. en ugn eller ett element.



## Elektriska krav

### ⚠ VARNING



#### Risk för elektriska stötar

Anslut till ett jordat eluttag.

Avlägsna inte jordstiftet.

Använd inte en adapter.

Använd ingen förlängningskabel.

Underlåtenhet att följa dessa anvisningar kan leda till dödsfall, eldsvåda eller elektrisk stöt.

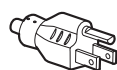
**VIKTIGT:** Installationen och den elektriska anslutningen måste utföras av en kvalificerad tekniker enligt tillverkarens instruktioner och lokala säkerhetsbestämmelser.

- Kylskåpet är avsett att arbeta via en separat nätanslutning på 220-240 Volt, 10 A, 50/60 Hz.
- Kontrollera att spänningen som anges på typskylten överensstämmer med nätspänningen i ditt hem.
- Det måste gå att fränkoppla produkten från elnätet genom att koppla loss den eller med en tvåpolig huvudströmbrytare installerad uppströms från eluttaget.
- Om nätkabeln är skadad måste den bytas ut av tillverkaren, dennes serviceagent eller någon annan kvalificerad person för att undvika säkerhetsrisker.

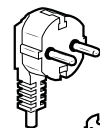
Innan du flyttar kylskåpet till dess slutliga plats är det viktigt att säkerställa att du har en korrekt elektrisk anslutning.

#### Rekommenderad jordningsmetod

220-240 V / 50 Hz, 220 V / 60 Hz, eller 230/240 V / 50 Hz AC, endast 10 A säkring och jordat eluttag krävs.



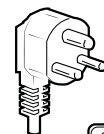
Typ B



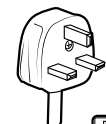
Typ E och F



Typ I



Typ M



Typ G

#### För Australien och Nya Zeeland:

Din nya produkt har speciellt tillverkats för att uppfylla alla australiska standarder och villkor.

Vissa noteringar i installationsanvisningarna kan avse elektriska krav i andra länder, så vi vill rikta din särskilda uppmärksamhet på dessa specifika noteringar.

Din produkt får endast anslutas till ett jordat eluttag på 230/240 V, 10 A, 50 Hz,

## Elektriska krav (endast Storbritannien och Irland)

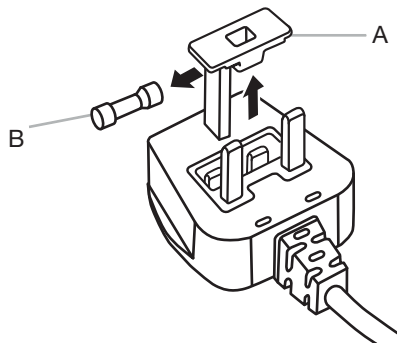
**VIKTIGT:** Detta kylskåp måste jordas.

### Byte av säkring

Om nätkabeln till detta kylskåp är försedd med en BS1363A, 13 A säkrad stickkontakt, ersätt en säkring i denna typ av stickkontakt med en av A.S.T.A. godkänd säkring till typ BS 1362 och gör enligt följande:

1. Avlägsna säkringshållaren (A) och säkringen (B).
2. Sätt i en ny 13 A-säkring i säkringshållaren.
3. Sätt tillbaka både säkringen och dess hållare i kontakten.

**VIKTIGT:** Säkringshållaren måste sättas tillbaka på plats när en säkring byts ut. Om säkringshållaren förloras får kontakten inte användas förrän en korrekt utbyteshållare installeras. En korrekt hållare identifieras genom den färgade insatsen eller ett färgat ord som är präglat på kontaktens bas. Utbyteshållare finns hos din lokala elbutik.



A. Säkringshållare  
B. Säkring

### Endast för republiken Irland:

Informationen som ges avseende Storbritannien gäller i regel, men en tredje typ av kontakt och uttag används också, den 2-poliga typen med sidojord.

### Eluttag/stickkontakt (gäller för båda länderna):

Om den monterade stickkontakten inte passar ditt eluttag, kontakta Kundtjänst för ytterligare instruktioner. Försök inte att byta stickkontakt på egen hand. Denna procedur måste utföras av en kvalificerad tekniker enligt tillverkarens instruktioner och gällande säkerhetsbestämmelser.

## Temperatur

Detta kylskåp är avsett att användas på platser där temperaturen ligger inom följande områden, enligt den klimatklass som anges på typskylten. Kylskåpet kanske inte fungerar korrekt om det lämnas vid en temperatur utanför det specificerade området under en längre tid.

**ANMÄRKNING:** Vi rekommenderar att du inte installerar kylskåpet nära en värmekälla, t.ex. en ugn eller ett element.

Klimatklass	Omgiv. T. (°C)	Omgiv. T. (°F)
SN	Från 10 till 32	Från 50 till 90
N	Från 16 till 32	Från 61 till 90
ST	Från 16 till 38	Från 61 till 100
T	Från 16 till 43	Från 61 till 110

## Demontera och montera kylskåpsdörrar

**ANMÄRKNING:** Mät bredden på din dörröppning för att se hurvida du behöver demontera kylskåpsdörrarna för att flytta in kylskåpet i ditt hem. Om demontering är nödvändig, se följande instruktioner.

**VIKTIGT:** Om kylskåpet har installerats tidigare och du ska flytta ut det från hemmet, stäng av kylskåpskontrollen innan du börjar demontera dörrarna. Koppla loss kylskåpet från elnätet eller frånkoppla strömmen. Avlägsna mat och justerbar dörr eller fack från dörrarna.

Samla ihop de nödvändiga verktygen och läs alla instruktioner innan dörrarna demonteras.

**VERKTYG SOM BEHÖVS:** 6 mm hylsnyckel, 5 mm hylsnyckel och stjärnskruvmejsel nr 2.



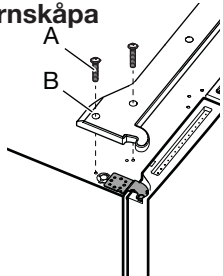
### ⚠ VARNING

Risk för elektriska stötar

Kopp loss kylskåpet från elnätet innan dörrar avlägsnas.

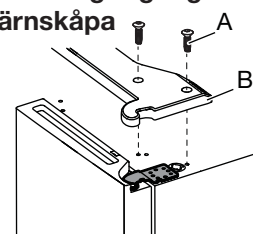
Underlåtenhet att göra detta kan resultera i dödsfall eller elektriska stötar.

#### Övre vänster gångjärnskåpa



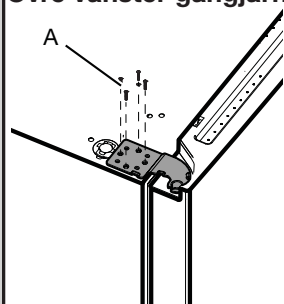
- A. Skruvar för övre gångjärnskåpa
- B. Övre gångjärnskåpa

#### Övre höger gångjärnskåpa



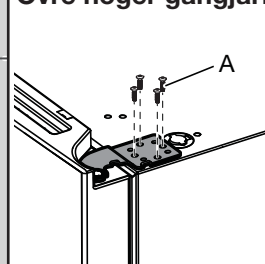
- A. Skruvar för övre gångjärnskåpa
- B. Övre gångjärnskåpa

#### Övre vänster gångjärn



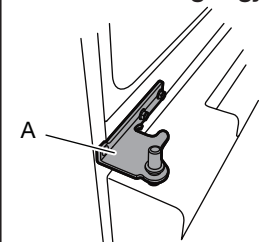
- A. 5 mm sockelskruvar

#### Övre höger gångjärn



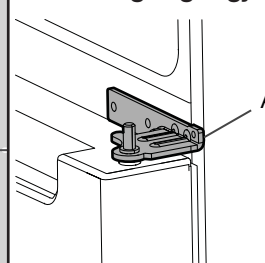
- A. 5 mm sockelskruvar

#### Mittre vänster gångjärn



- A. Gångjärn

#### Mittre höger gångjärn



- A. Gångjärn



## **⚠ VARNING**

### Fara för tung vikt

Var två eller flera personer för att lyfta kylskåpsdörren.  
Underlåtenhet att göra det kan leda till rygg- eller andra personskador.

### Demontera kylskåpsdörrar

## **⚠ VARNING**



### Risk för elektriska stötar

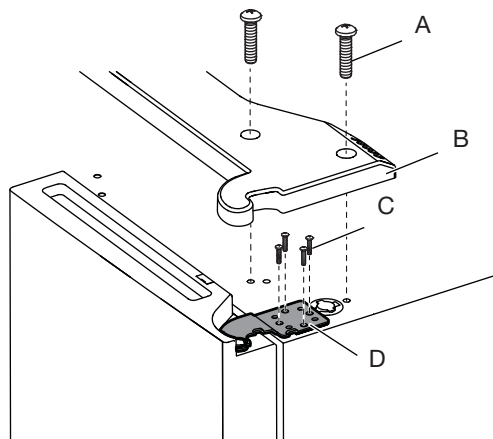
Kopp loss kylskåpet från elnätet innan dörrar avlägsnas.  
Underlåtenhet att göra detta kan resultera i dödsfall eller elektriska stötar.

### Demontera den högra dörren

1. Koppla loss kylskåpet från elnätet eller frånkoppla strömmen.
2. Håll kylskåpsdörrarna stängda tills du är redo att lyfta av dem från skåpet.

**ANMÄRKNING:** Ge kylskåpsdörren ytterligare stöd medan gångjärnen avlägsnas. Lita inte på dörrtätningens magneter för att hålla dörren på plats medan du arbetar.

3. Med en stjärnskruvmejsel, avlägsna kåpan från det övre gångjärnet.
4. Med en 5 mm hylsnyckel, avlägsna fyra skruvar från det övre gångjärnet och lägg dem åt sidan.



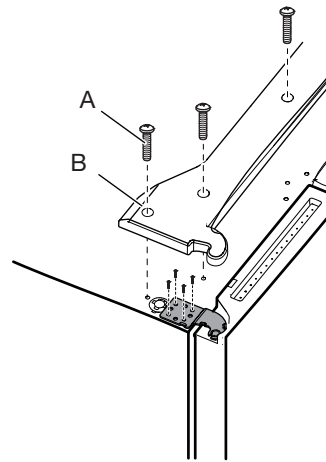
- A. Skruv övre gångjärnskåpa  
B. Övre gångjärnskåpa  
C. 5 mm sockelskruvar  
D. Övre gångjärn

5. Lyft av kylskåpsdörren från den mittre gångjärnsbulten. Det övre gångjärnet lossnar tillsammans med dörren.

### Demontera den vänstra dörren

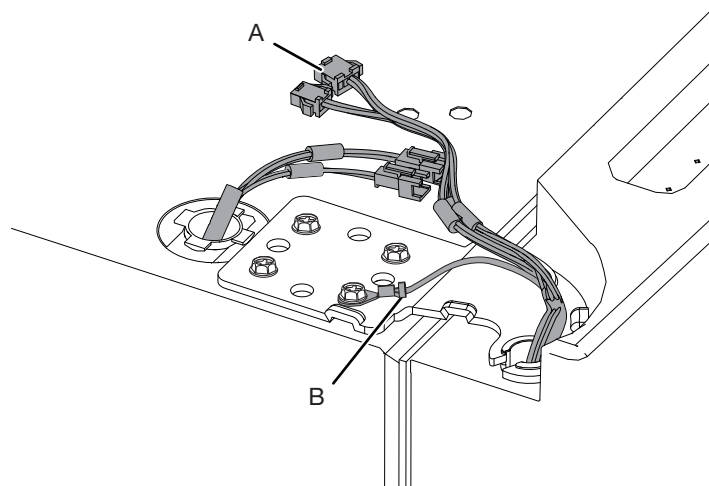
**VIKTIGT:** Ledningsdragningen för UI löper genom den vänstra dörrens gångjärn, så de måste kopplas loss innan dörren demonteras.

1. Med en stjärnskruvmejsel, avlägsna kåpan från det övre gångjärnet.



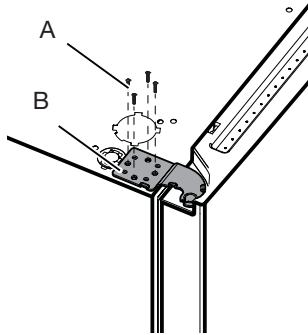
- A. Skruv övre gångjärnskåpa  
B. Övre gångjärnskåpa

2. Koppla loss de två ledningspluggarna som sitter ovanpå dörrgångjärnet.
  - Ta tag på vardera sida av ledningspluggarna. Med vänster tumme, tryck nedåt för att frigöra spärren och dra isär pluggarnas sektioner.



- A. Ledningsplugg  
B. Jordkontakt

- Med en 5 mm hylsnyckel, avlägsna fyra invändiga skruvar från det övre gångjärnet och lägg dem åt sidan.



A. 5 mm sockelskruvar  
B. Övre gångjärn

**ANMÄRKNING:** Ge kylskåpsdörren ytterligare stöd medan gångjärnen avlägsnas. Lita inte på dörrtätningens magneter för att hålla dörren på plats medan du arbetar.

- Lyft av kylskåpsdörren från den nedre gångjärnsbulten. Det övre gångjärnet lossnar tillsammans med dörren.

**ANMÄRKNING:** Det kanske inte är nödvändigt att avlägsna de nedre gångjärnen och bromsfotenheterna för att flytta kylskåpet genom en dörröppning.

- Endast om nödvändigt, använd en 6 mm hylsnyckel och stjärnskruvmejsel nr 2 för att avlägsna det mittere gångjärnet.

#### Montera höger kylskåpsdörr

- Placera den högra dörren på den mittere gångjärnsbulten.
- För in den övre gångjärnsbulten i det öppna hålet i toppen av kylskåpsdörren.
- Med fyra 5 mm sockelskruvar, fäst gångjärnet vid skåpet. Dra inte åt skruvarna helt.

#### Montera vänster kylskåpsdörr

- Placera den vänstra dörren på den mittere gångjärnsbulten.
- Med fyra 5 mm sockelskruvar, fäst gångjärnet vid skåpet. Dra inte åt skruvarna helt.
- Återanslut de elektriska ledningarna.
  - Tryck ihop ledningspluggens två sektioner.
  - Återanslut jordledaren till gångjärnsskruven.

#### Slutliga steg

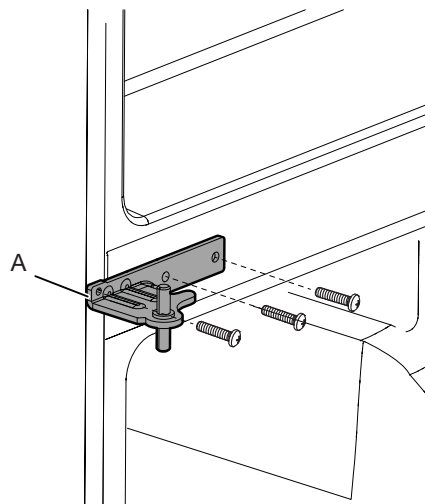
- Dra åt åtta 5 mm sockelskruvar helt.
- Sätt tillbaka de övre gångjärnsskåporna på plats.

## Demontera och montera Freezer/Flexi Freeze-dörr

- Håll frysdörrarna stängda tills du är redo att lyfta av dem från skåpet.

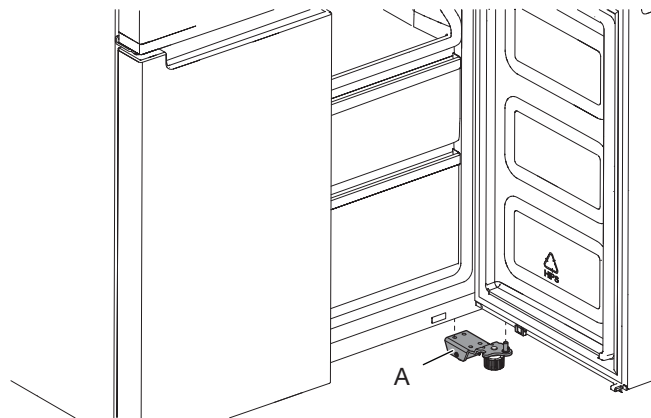
**ANMÄRKNING:** Ge frysdörren ytterligare stöd medan gångjärnen avlägsnas. Lita inte på dörrtätningens magneter för att hålla dörren på plats medan du arbetar.

- Med en stjärnskruvmejsel nr 2 och en 6 mm hylsnyckel, avlägsna det mittere gångjärnet från skåpet.



A. Mittere gångjärn

- Lyft av frysdörren från den nedre gångjärnsbulten.



A. Nedre gångjärn

## ⚠ VARNING



### Risk för elektriska stötar

Anslut till ett jordat eluttag.

Avlägsna inte jordstiftet.

Använd inte en adapter.

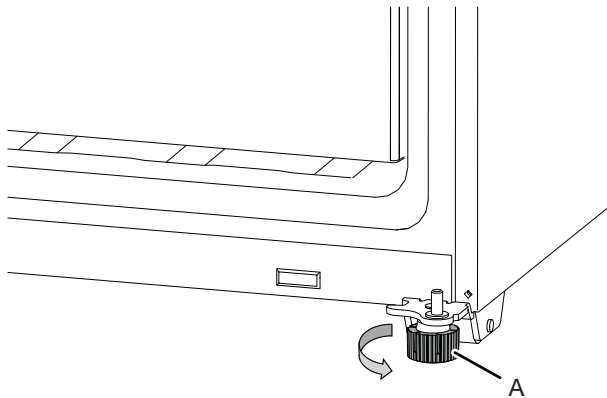
Använd ingen förlängningskabel.

Underlåtenhet att följa dessa anvisningar kan leda till dödsfall, eldsvåda eller elektrisk stöt.

1. Anslut till ett jordat eluttag.
2. Återför alla löstagbara delar och matvaror till lådorna.

## Avvägning av kylskåp

1. Flytta kylskåpet till dess slutliga plats.
2. Vrid bromsfötterna för hand. Vrid dem moturs tills rullarna är ovanför golvet och båda bromsfötterna ligger an mot golvet. Detta hindrar kylskåpet från att rulla framåt när dörrarna öppnas.



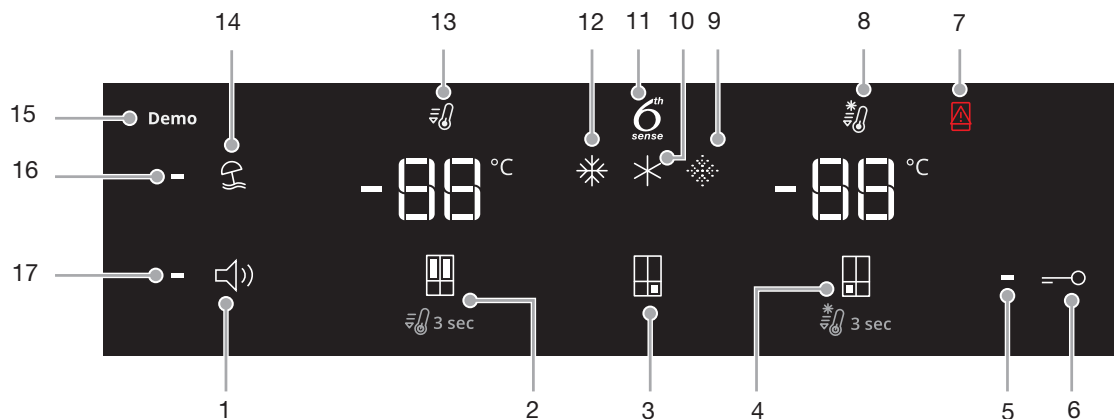
A. Bromsfötter

**VIKTIGT:** Om du behöver göra ytterligare justeringar som innebär bromsfötterna måste du vrida båda bromsfötterna lika mycket för att hålla kylskåpet i våg.

3. Använd ett vattenpass för att säkerställa att kylskåpet är i våg från sida till sida och från framkant till bakkant.

## Använda kontrollerna

De tryckaktiverade kontrollerna sitter på den vänstra kylskåpsdörren. Kontrollpanelen inkluderar information om olika knappar och indikatorer. Indikatorerna för kyl- och frystemperatur visar de senaste temperaturbörvärdena.



1. Sound On/Off-knapp (Ljud På/Av)
2. Knapp för kylskåpstemperatur (håll intryckt i 3 sekunder för Fast Cool)
3. Förinställd temperatur-knapp för Flexi-frys (endast med WQ9 B1L, 6WM591NIHAS och WQ70900SXX)
4. Knapp för frystemperatur (håll intryckt i 3 sekunder för Fast Freeze)
5. Knapplås-indikator
6. Knapplås-knapp
7. Indikator för öppen dörr
8. Fast Freeze-indikator
9. Soft Freeze-indikator (endast med WQ9 B1L, 6WM591NIHAS och WQ70900SXX)
10. Mid Freeze-indikator (endast med WQ9 B1L, 6WM591NIHAS och WQ70900SXX)
11. 6th Sense-indikator
12. Hard Freeze-indikator (endast med WQ9 B1L, 6WM591NIHAS och WQ70900SXX)
13. Fast Cool-indikator
14. Holiday Mode-knapp (Semesterläge)
15. Demo Mode-indikator (endast med WQ9 B1L, 6WM591NIHAS och WQ70900SXX)
16. Holiday Mode-indikator
17. Ljud-indikator

Kontrollpanelen stängs av automatiskt efter en minuts inaktivitet. Tryck på någon knapp för att sätta på kontrollpanelen igen.

### -88 Visning och justering av temperaturbörvärden

#### Justera temperaturen i kyl- och frysavdelningar:

För din bekvämlighet har kontrollerna för ditt kylskåp och din frys förinställts på fabriken.

När du installerar kylskåpet första gången, verifiera att kontrollerna fortfarande är inställda på de rekommenderade börvärdena. Fabrikens rekommenderade börvärden är 3 °C för kylskåpet och -18 °C för frysen.

Genom att trycka på kyl- eller frystemperaturknappen växlar du genom temperaturbörvärdena i grader Celsius (°C).

#### VIKTIGT:

- Vänta 24 timmar innan du lägger in matvaror i kylskåpet. Om du lägger in mat innan kylskåpet har kallnat helt kan maten förstöras.

**ANMÄRKNING:** Att justera börvärdena till en inställning kallare än rekommenderat kylar inte avdelningarna snabbare.

- Om temperaturen är för varm eller för kall i kylskåpet eller frysen, kontrollera först att luftventilationen inte är blockerad innan kontrollerna justeras.
  - De rekommenderade inställningarna bör vara korrekta för normalt hushållsbruk. Kontrollerna är korrekt inställda när mjölk eller juice är så kall som du önskar och isglass är fast.
- ANMÄRKNING:** Platser såsom ett garage, en källare eller en veranda kan ha högre luftfuktighet eller extrema temperaturer. Du kan behöva justera temperaturen utanför de rekommenderade inställningarna för att kompensera för dessa förhållanden.
- Vänta minst 24 timmar mellan justeringar. Kontrollera temperaturerna på nytt innan andra justeringar görs.

### 6<sup>th</sup> SENSE Fresh Lock och fryskontroll

Sensorn 6<sup>th</sup> SENSE Fresh Lock säkerställer en noggrann och konsekvent temperaturkontroll för att bevara färsk mat under en längre tid, på det mest naturliga sättet. När en temperaturvariation detekteras aktiverar sensorn en kompressor som snabbt återställer originaltemperaturen.

Sensorn 6<sup>th</sup> SENSE Freeze minimerar temperaturfluktuationer i frysen tack vare ett innovativt temperaturhanteringssystem. Frysbrännskador reduceras för att bevara matens kvalitet och färg.

### Flexi Freeze-inställning (endast med WQ9 B1L, 6WM591NIHAS och WQ70900SXX)

Med funktionen Flexi Freeze kan du växla den förinställda temperaturen för Flexi Freeze-avdelningen.

Symbol	Funktion	Temperatur
☼	Traditionell frys	-18 °C
✱	Mild frys	-12 °C
☼	Mjuk frys	-7 °C

\* För att aktivera/inaktivera den kallaste inställningen (-20 °C), håll knappen Förinställd Flexi Freeze-temperatur ☼ intryckt i 3 sekunder.

### Justera multitemperaturinställning

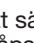
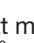
- Traditionell frys (-18 °C): Redan fryst mat och färsk mat (max. 12 månader)
- Mild frys (-12 °C): Redan fryst mat (max. 1 månad)
- Mjuk frys (-7 °C): Redan fryst mat (max. 1 vecka)

När temperaturbörvärden justeras, använd följande tabell som en guide:

FÖRHÅLLANDE	TEMPERATURJUSTERING:
Kyl för kall	Kylinställning 1° högre
Kyl för varm	Kylinställning 1° lägre
Frys för kall	Frysinställning 1° högre
Frys för varm / för lite is	Frysinställning 1° lägre



### Fast Cool

Funktionen Fast Cool hjälper till under perioder med hög kylskåpsanvändning, fulla laster av livsmedel eller tillfälligt varma rumstemperaturer.

- För att sätta på Fast Cool-funktionen, håll knappen Kylskåpstemperatur  intryckt i 3 sekunder. När funktionen aktiveras tänds Fast Cool-ikonen. Funktionen Fast Cool förblir aktiverad i 2 timmar, såvida den inte stängs av manuellt.
- För att manuellt stänga av Fast Cool-funktionen, håll knappen Kylskåpstemperatur  intryckt i 3 sekunder. Fast Cool-ikonen slocknar när funktionen inaktiveras.
- Justering av kylskåpets temperatur stänger automatiskt av Fast Cool-funktionen.

### Fast Freeze

Mängden färsk mat (i kg) som kan frysas in på 24 timmar anges på produktens typskylt.

- Håll knappen Frystemperatur  intryckt i 3 sekunder (tills Fast Freeze-indikatorn tänds), 24 timmar innan du lägger in färsk mat i frysen. När den färska maten har lagts in i frysen räcker det i regel med att ha Fast Freeze-funktionen aktiverad i 24 timmar. Efter 50 timmar inaktiveras Fast Freeze-funktionen automatiskt.
- För att manuellt stänga av Fast Freeze-funktionen, håll knappen Frystemperatur  intryckt i 3 sekunder. Fast Freeze-ikonen slocknar.
- Justering av frysens temperatur stänger automatiskt av Fast Freeze-funktionen.

### Holiday Mode (Semesterläge)

Detta läge är avsett att se till att din produkt inte slösar energi under tidsperioder när produkten inte används regelbundet (t.ex. när du är på semester).

Genom att välja denna funktion ställs temperaturen i kylskåpsavdelningen automatiskt in på det varmaste börvärdet.

- För att använda semesterläget, håll Mode-knappen intryckt tills Holiday Mode-indikatorn tänds på displayen.
- För att gå ur semesterläget, håll Mode-knappen intryckt tills ingen Mode-ikon är tänd på displayen.
- Justering av kylskåpets temperatur stänger automatiskt av Holiday Mode-funktionen.

**VIKTIGT:** När detta läge väljs måste all mat och alla drycker avlägsnas från kylskåpsavdelningen.

### Sound On/Off (Ljud På/Av)

Tryck på denna knapp för att aktivera/inaktivera produktens ljudåtergivning.

### Knapplås

- Håll Lås-knappen intryckt i 3 sekunder för att aktivera låsfunktionen.
- För att inaktivera låset, håll Lås-knappen intryckt i 3 sekunder. Låsfunktionen ignorerar all interaktion med kontrollpanelen tills användaren låser upp kontrollpanelen. Denna funktion är avsedd att förhindra oavsedda ändringar av inställningar.

### Demo Mode (endast med WQ9 B1L, 6WM591NIHAS och WQ70900SXX)


Detta läge används när kylskåpet visas upp i en butik eller om du vill stänga av kylningen och inaktivera alla andra funktioner (utom den invändiga belysningen).

Demo Mode kan användas när du åker på semester. Se avsnittet "Skötsel inför semester och flyttning" för lämpliga steg när du lämnar kylskåpet i detta läge under långa tidsperioder.

- När du aktiverar Demo Mode tänds ikonen "Demo" på displayen.
- Gå in i eller ur Demo Mode genom att hålla Sound On or Off-knappen och Lås-knappen intryckta samtidigt i 3 sekunder.

### Ytterligare funktioner

#### Larm för öppen dörr

- Larmet för öppen dörr ljuder och ikonen "Öppen dörr"  blinkar när någon av de fyra dörrarna är öppen i 2 minuter eller längre.
- Larmet upprepas var 5:e minut. Stäng alla dörrar för att stänga av larmet.

**ANMÄRKNING:** För att stänga av ljudlarmet medan dörrarna hålls öppna, t.ex. under invändig rengöring av kylskåpet, tryck på någon knapp på kontrollpanelen. Larmljudet stängs tillfälligt av, men ikonen Öppen dörr visas fortfarande på kontrollpanelen.

### Kylskåpets belysning

Kylskåpet har en invändig lampa som tänds varje gång dörren öppnas.

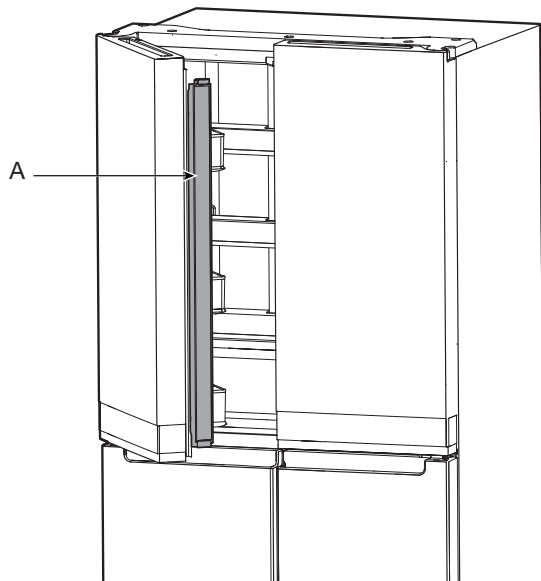
**ANMÄRKNING:** Lampan är en lysdiod (LED) som inte behöver bytas ut. Om lysdioden inte tänds när dörren öppnas, kontakta service för att byta ut lampan.

# ANVÄNDNING AV KYLSKÅP

## Öppning och stängning av dörrar

Det finns två dörrar till kylavdelningen. Dörrarna kan öppnas och stängas separat eller tillsammans. Det sitter en vertikalt ledad tätning på den vänstra kylskåpsdörren.

- När den vänstra dörren öppnas viks tätningen automatiskt inåt så att den inte är i vägen.
- När båda dörrarna är stängda bildar tätningen automatiskt en tätning mellan de två dörrarna.

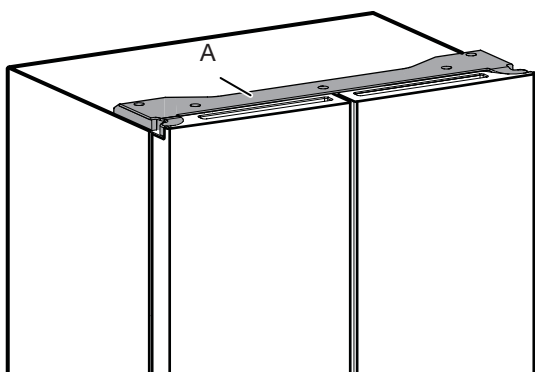


A. Ledad tätning

Kylavdelningens dörrkontakt sitter i övre vänster och höger gångjärnsåpa.

- För frys- och multitemperaturzon sitter dörrkontakten i den nedre spröjsen.
- Dörrkontakten använder en magnet för att avkänna dörröppning/stängning.
- Se till att det inte finns någon magnet eller elektronisk enhet (högtalare, CoolVox®, etc.) inom 7,62 cm från gångjärnsåpan.

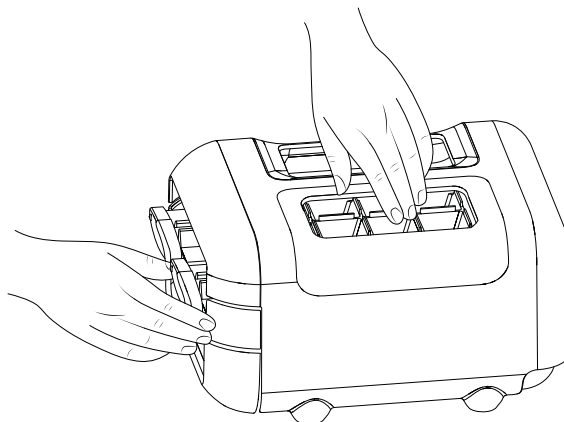
**ANMÄRKNING:** Lampan aktiveras inte om dörröppning inte detekteras.



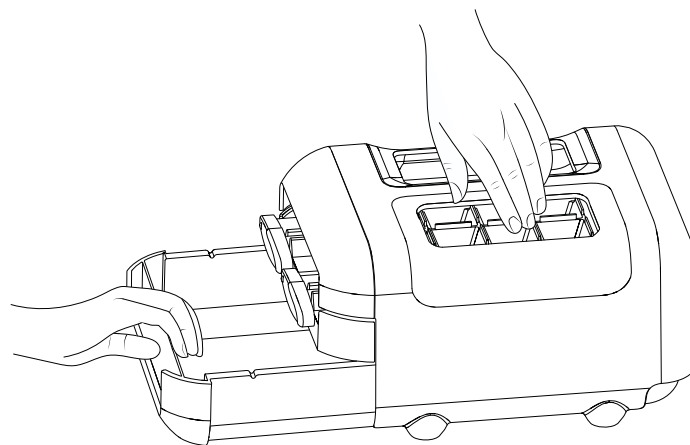
A. Gångjärnsåpa

## Ismaskin

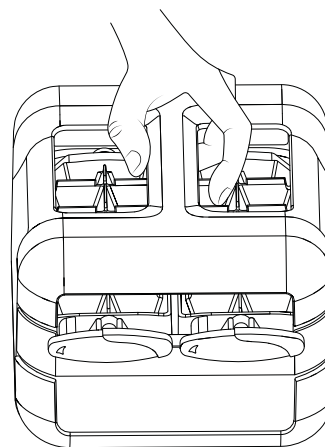
- För att göra is, fyll isbrickan med renat vatten och placera den manuella ismaskinen på frysens övre hylla. Vänta tills is har bildats och när isen är redo, vrid rattarna medurs för att mata ut isbitar i isbehållaren.



- Lyft upp isbehållaren något och dra ut isbehållaren för att komma åt iskuberna.



Den manuella ismaskinen kan tas ut ur frysen när is inte behövs för att skapa mer utrymme i frysen.



## Förvaring av mat

### Förvaring av ägg

Vi rekommenderar att ägg förvaras vid en konsekvent temperatur för att bibehålla äggens fräschhet, så det bästa är att förvara dem i kylan på den mitre hyllan.

# HYLLOR, FACK OCH LÅDOR

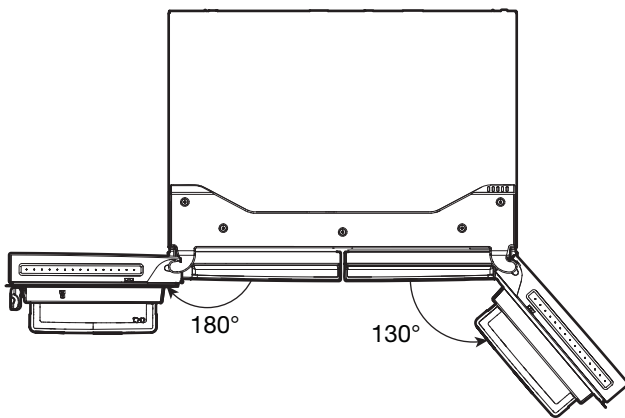
## Viktig information att känna till om glashyllor och luckor:

Rengör inte glashyllor och luckor med varmvatten när de är kalla. Glashyllor och luckor kan gå sönder om de exponeras för plötsliga temperaturförändringar eller slag och stötar. Tempererat glas är utformat för att splittras i många små, småstensstora bitar. Detta är normalt. Glashyllor och luckor är tunga. Använd båda händerna när de avlägsnas för att inte tappa dem.

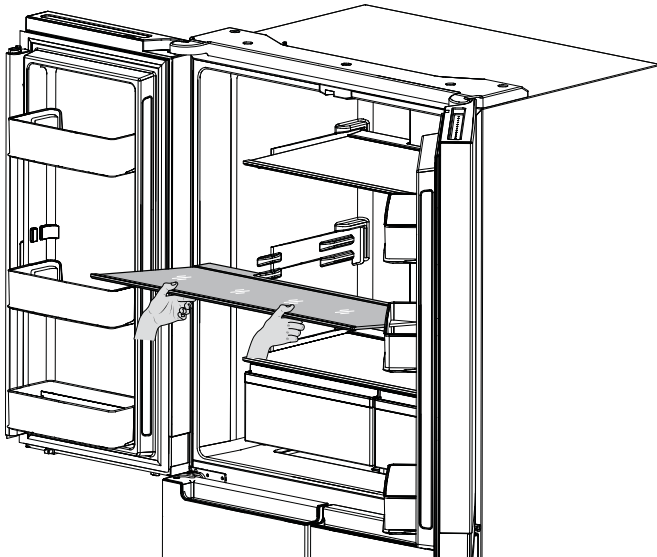
## Justera hyllhöjder

Hyllhöjden kan justeras genom att ändra hyllans placering från det nedre stödet till det övre stödet och vice versa.

- Öppna den högra sidodörren helt.
- Öppna den vänstra sidodörren helt och lyft sedan dörren för att öppna 180°.



- Ta ut hyllan från kylskåpet och placera den i önskad position.



- Se till att hyllan är korrekt placerad på hyllfästena.

## Hyllor och hyllramar

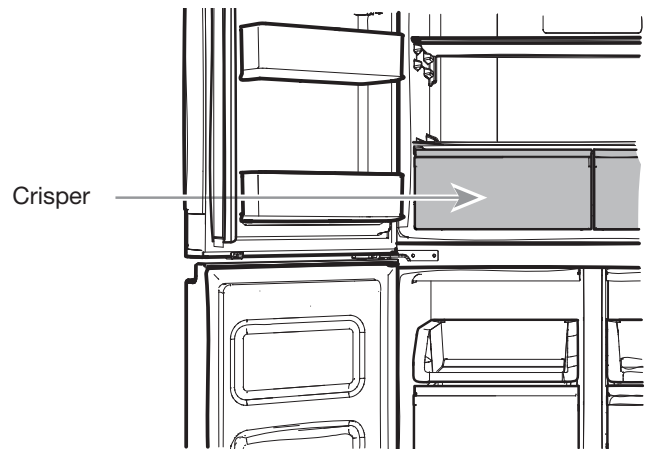
Hyllorna i kylskåpet går att justera för att uppfylla dina personliga förvaringsbehov.

Förvaring av liknande varor tillsammans i kylskåpet och justering av hyllorna för att passa varor med olika höjder gör det enklare att hitta exakt den vara du söker. Detta reducerar också tiden som kylskåpet är öppet, vilket sparar energi.

### För att avlägsna och sätta tillbaka hyllor:

1. Öppna den högra sidodörren helt och öppna den vänstra sidodörren helt och lyft vänster dörr för att öppna 180°.
2. Avlägsna mitten- eller topphyllan genom att lyfta den uppåt och ut från hyllstöden. Dra sedan hyllan framåt och vinkla den nedåt till en vertikal position. Vrid hyllan till en vinkel och dra ut den ur kylskåpet.
3. Avlägsna bottenhyllan genom att lyfta den uppåt och ut från hyllstöden. Dra sedan hyllan framåt och vinkla den uppåt till en vertikal position. Vrid hyllan till en vinkel och dra ut den ur kylskåpet.
4. Sätt tillbaka mitten- och topphyllorna genom att föra in hyllan i kylskåpet i en vinkel med hyllfronten nedåt. Lyft hyllans front uppåt och för in tills hyllans bakre kant faller ned i hyllstöden. Sänk hyllans front och se till att hyllan sitter säkert på plats.
5. Sätt tillbaka bottenhyllan genom att föra in hyllan i kylskåpet i en vinkel med hyllan uppåt. Lyft ned hyllans front och för in tills hyllans bakre kant faller ned i hyllstöden. Sänk hyllans front och se till att hyllan sitter säkert på plats.

## Crisper-lådor

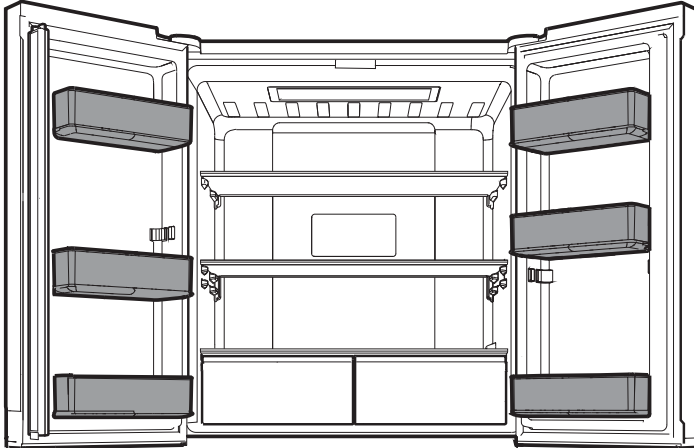


### För att avlägsna och sätta tillbaka crisper-lådorna:

1. Ta tag i crisper-lådans handtag och för lådan rakt ut till stoppet. Lyft av lådan från bottenguiden.
2. Sätt tillbaka crisper-lådan genom att placera den på den nedre crisper-guiden och trycka den förbi crisper-stoppet till dess position.

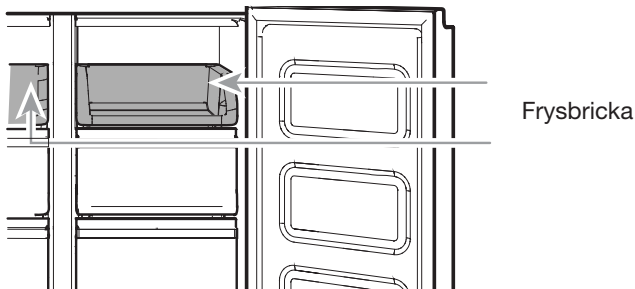
## Kylskåpets balkonger

Balkongen i kylskåpet går att justera för att uppfylla dina personliga förvaringsbehov.



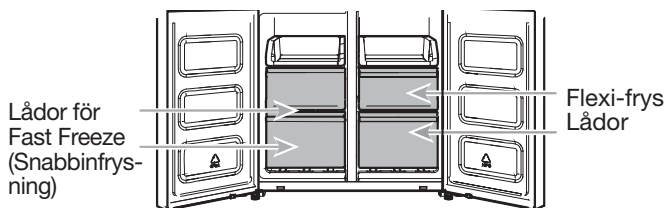
## Frysavdelningar

### Frysbricka



Frysbrickan är användbar för att enkelt komma åt produkter som ofta används, för infrysning eller för att helt enkelt förvara rester eller små matvaror.

### Fryslådor



### Avdelning för Fast Freeze (Snabbinfrysning)

- Fast Freeze-lådorna ger dig möjlighet att förvara stora matvaror på ett praktiskt sätt.
- Med Fast Freeze kan du förvara all din frysta mat säkert och översiktligt.

### Flexi Freeze-avdelning (endast med WQ9 B1L, 6WM591NIHAS och WQ70900SXX)

För Flexi Freeze-avdelningen kan du välja en av tre frystemperaturnivåer: -7 °C, -12 °C och -18 °C för att skapa de bästa förvaringsförhållandena för olika typer av mat.

För maximal fryskapacitet kan du avlägsna fryslådan för att frilägga fryshyllan.

### För att avlägsna den övre lådan:

1. Ta tag i lådans handtag och för lådan rakt ut till stoppet. Lyft av lådan från bottenguiden.
2. Sätt tillbaka lådan genom att placera den på den nedre lådguiden och trycka den förbi lådstoppet till dess position.

### Fryshylla (endast med WQ9 E1L och WQ9 B1L)

För att maximera fryskapaciteten kan du avlägsna den mittle lådan för att frilägga fryshyllan nedanför. Du kan sedan lägga undan den övre lådan för förvaring och lägga mat direkt på hyllan.

## Ljudreferens

### Tontilldelning

Namn på ton	Exempel på användning
Ström På	Kylsystemet aktiveras varje gång produkten sätts på.
Knapptryckning	Användaren trycker på en giltig knapp.
Ogiltig (Fel)	Användaren trycker samtidigt på två eller fler knappar. Nedräkningsavbrott för håll-intrycktknappar.
Engagera	Bekräftelse på ingång i något läge.
Frigör	Bekräftelse på utgång från något läge.
Varning	Varning om dörr på glänt

Denna tabell är endast en snabbreferens. Se motsvarande sektioner för detaljer. I händelse av motstridighet gäller informationen i respektive avsnitt.

## Tillbehör

För att beställa tillbehör, kontakta återförsäljaren som du köpte kylskåpet av.

## Assistans eller Service

Innan du ringer för assistans eller service, var god se avsnittet "Felsökning". Det kan bespara dig kostnaden för ett servicesamtal. Om du fortfarande behöver hjälp, följ instruktionerna nedan.

### Om du behöver utbytesdelar

För att lokalisera fabriksspecificerade utbytesdelar i ditt område, kontakta återförsäljaren som du köpte kylskåpet av.

### Garanti

Kontakta återförsäljaren som du köpte kylskåpet av för garantiinformation.

**Förvara denna bok och ditt kassakvitto tillsammans för framtida referens. Du måste kunna bevisa ditt inköp eller installationsdatumet för service under garantin.**

Skriv ned följande information om din produkt för att hjälpa dig erhålla assistans eller service om du skulle behöva detta. Du behöver veta ditt kompletta modellnummer och serienummer. Du hittar denna information på modell- och serienumeretiketten som sitter på den inre väggen i kylavdelningen.

Återförsäljarens namn \_\_\_\_\_

Serienummer \_\_\_\_\_

Adress \_\_\_\_\_

Telefonnummer \_\_\_\_\_

Modellnummer \_\_\_\_\_

Inköpsdatum \_\_\_\_\_



# VÅRD AV KYLSKÅPET

## Rengöring

### VARNING



#### Explosionsrisk

Använd ett icke brandfarligt rengöringsmedel.

Underlåtenhet att göra detta kan resultera i dödsfall, explosion eller brand.

Alla kyl-, frys- och Flexi Freeze-sektioner (endast med WQ9 B1L, 6WM591NIHAS och WQ70900SXX) avfrostas automatiskt. Rengör dock alla sektioner ungefär en gång i månaden för att undvika bildning av odörer. Torka upp spill omedelbart.

### Utvändig rengöring

Var god se informationen om utvärdig rengöring som är specifik för din modell.

#### Stil 1 – Slät dörr

**VIKTIGT:** Skador på slät finish på grund av olämplig användning av rengöringsprodukter eller användning av icke rekommenderade rengöringsprodukter täcks inte av garantin. Vassa eller trubbiga instrument gör märken i finishen.

ANVÄND	ANVÄND INTE
✓ Mjuk och ren duk	✗ Abrasiva dukar ✗ Pappershanddukar eller tidningspapper ✗ Stålull
✓ Varmt tvålatten med ett mildt rengöringsmedel	✗ Abrasiva pulver eller vätskor ✗ Fönstersprayer ✗ Ammoniak ✗ Sura eller ättiksbaseade rengöringsmedel ✗ Ugnrensrengöringsmedel ✗ Antändliga vätskor

**ANMÄRKNING:** Pappershanddukar repar och kan göra den målade dörrens klara beläggning matt. För att undvika risk för skador, använd endast mjuka och rena dukar för att polera och torka av dörrarna.

#### Stil 2 – Rostfritt stål

##### VIKTIGT:

- Använd endast rengöringsmedel och dukar som rekommenderas för rostfritt stål. Skador på finish av rostfritt stål på grund av olämplig användning av rengöringsprodukter eller användning av icke rekommenderade rengöringsprodukter täcks inte av garantin.
- Undvik att exponera hushållsapparater av rostfritt stål för salthaltiga eller fuktiga miljöer. Skador på grund av exponering för dessa miljöer täcks inte av garantin.

ANVÄND	ANVÄND INTE
✓ Mjuk och ren duk	✗ Abrasiva dukar ✗ Pappershanddukar eller tidningspapper ✗ Stålull
✓ Varmt tvålatten med ett mildt rengöringsmedel	✗ Abrasiva pulver eller vätskor ✗ Ammoniak ✗ Citrusbaseade rengöringsmedel ✗ Sura eller ättiksbaseade rengöringsmedel ✗ Ugnrensrengöringsmedel
✓ För svår smuts, använd endast ett rengöringsmedel för rostfritt stål som är avsett för hushållsapparater. För att beställa rengöringsmedlet, kontakta återförsäljaren som du köpte kylskåpet av.	✗ Rengöringsmedel för rostfritt stål är endast avsett för delar av rostfritt stål. Låt inte rengöringsmedel och polermedel för rostfritt stål komma i kontakt med plastdelar såsom trimdelar, dispenseråpor eller dörrtätningar.

#### Stil 3 – Fingeravtryck-resistent rostfritt

##### VIKTIGT:

- Undvik att exponera hushållsapparater av rostfritt stål för salthaltiga eller fuktiga miljöer. Skador på grund av exponering för dessa miljöer täcks inte av garantin.

ANVÄND	ANVÄND INTE
✓ Mjuk och ren duk	✗ Abrasiva dukar ✗ Pappershanddukar eller tidningspapper ✗ Stålull
✓ Varmt tvålatten med ett mildt rengöringsmedel	✗ Abrasiva pulver eller vätskor ✗ Fönstersprayer ✗ Ammoniak ✗ Sura eller ättiksbaseade rengöringsmedel ✗ Ugnrensrengöringsmedel ✗ Antändliga vätskor

##### ANMÄRKNINGAR:

- Om oavsiktlig kontakt inträffar, rengör plastdelen med en svamp och ett mildt rengöringsmedel i varmt vatten. Torka noga med en mjuk duk.
- Bara för att ett rengöringsmedel är en vätska innebär inte detta att det inte kan vara abrasivt. Många flytande rengöringsmedel formulerade att vara skonsamma mot kakel och släta ytor kan fortfarande skada rostfritt stål.
- Citronsyra missfärgar permanent rostfritt stål.
- För att inte skada finishen på ditt kylskåp av rostfritt stål:

##### Låt inte dessa ämnen vara kvar på finishen:

- ✗ Senap
- ✗ Citrusbaseade såser
- ✗ Tomatjuice
- ✗ Citrusbaseade produkter
- ✗ Marinadsås

---

## Invändig rengöring

---

1. Koppla loss kylskåpet från elnätet eller frånkoppla strömmen.
2. Handtvätta, skölj och torka löstagbara delar och invändiga ytor noga. Använd en ren svamp eller mjuk duk och ett mildt rengöringsmedel i varmt vatten.

**ANMÄRKNING:** Använd inte abrasiva eller skarpa rengöringsmedel såsom fönstersprayer, skurmedel, brandfarliga vätskor, rengöringsvaxer, koncentrerade tvättmedel, blekmedel, eller rengöringsmedel som innehåller petroleumprodukter, på plastdelar, inre foder och dörrfoder, eller tätningar.

3. Anslut kylskåpet till elnätet eller slå på strömmen.

---

## Rengöring av kondensor

---

Detta kylskåp har en ytkondensor på båda sidor av kylan. Det är normalt att sidorna känns varma.

---

## Belysning

---

Lamporna i både kyl- och frysavdelningarna är lysdioder (LED) som inte behöver bytas ut. Om lamporna inte tänds när dörren öppnas, kontakta återförsäljaren som du köpte kylskåpet av.

---

## Vård vid semester och flyttning

---

### Semester

---

#### Om du väljer att lämna kylskåpet påslaget medan du är borta:

1. Förbruka färskvaror och frys in övriga varor.
2. Om kylskåpet har en automatisk ismaskin och är ansluten till hushållets vattenförsörjning, stäng av vattenförsörjningen till kylskåpet. Materiella skador kan uppstå om vattenförsörjningen inte stängs av.
3. Om du har en automatisk ismaskin, stäng av ismaskinen.
  - Ställ strömbrytaren i läge Av (O) för ismaskinen i dörren.
4. Töm isbehållaren.

#### Om du väljer att stänga av kylskåpet medan du är borta:

**ANMÄRKNING:** Ställ kylskåpet i Demo Mode när du åker på semester. Se avsnittet "Använda kontrollerna".

1. Ta ur all mat från kylskåpet.
2. Om kylskåpet har en automatisk ismaskin:
  - Stäng av vattenförsörjningen till ismaskinen minst 1 dag i förväg.
  - När den sista satsen av is faller, ställ strömbrytaren i läge Av (O) så att displayen inte är tänd på den övre insidan av ditt kylskåp, beroende på din modell.
3. Töm isbehållaren.
4. Stäng av temperaturkontrollerna. Se avsnittet "Använda kontrollerna".
5. Rengör kylskåpet, torka av det och låt det torka ordentligt.
6. Tejpa gummi- eller träblock ovanpå båda dörrarna för att hålla dem öppna så att luft kan komma in. Detta förhindrar bildning av odörer och mögel.

---

## Flyttning

---

När du flyttar kylskåpet till en ny bostad, följ dessa steg för att förbereda kylskåpet för flytten.

1. Om kylskåpet har en automatisk ismaskin:
  - Stäng av vattenförsörjningen till ismaskinen minst 1 dag i förväg.
  - Koppla loss vattenledningen från kylskåpets baksida.
  - När den sista satsen av is faller, ställ strömbrytaren i läge Av (O), antingen på ismaskinen eller kontrollen, beroende på din modell.
2. Ta ur all mat från kylskåpet och packa all fryst mat i torris.
3. Töm isbehållaren.
4. Koppla loss kylskåpet från elnätet.
5. Rengör kylskåpet, torka av det och låt det torka ordentligt.
6. Ta ut alla löstagbara delar, slå in dem väl och tejpa dem tillsammans så att de inte förskjuts och skramlar under flytten.
7. Beroende på modell, höj kylskåpets front så att det rullar lättare eller höj avvägningsskruvarna så att de inte skrapar mot golvet. Se avsnittet "Justera dörrarna" eller "Avvägning av kylskåp och dörrstängning".
8. Tejpa fast dörrarna i stängt läge och tejpa fast nätkabeln på baksidan av kylskåpet.

När du kommer till den nya bostaden, lägg tillbaka allting i kylskåpet och se avsnittet "Installationsanvisningar" för förberedande instruktioner. Om kylskåpet har en automatisk ismaskin, tänk dessutom på att återansluta vattenförsörjningen till kylskåpet.

# FELSÖKNING

Prova först de lösningar som föreslås här för att kanske undvika ett servicesamtal.

**⚠ VARNING**



**Risk för elektriska stötar**

**Anslut till ett jordat eluttag.**

**Avlägsna inte jordstiftet.**

**Använd inte en adapter.**

**Använd ingen förlängningskabel.**

**Underlåtenhet att följa dessa anvisningar kan leda till dödsfall, eldsvåda eller elektrisk stöt.**

Om detta inträffar	Möjliga orsaker	Lösning
<b>Drift av kylskåpet</b>		
Kylskåpet fungerar inte.	Kontrollera strömförsörjningen.	Anslut nätkabeln till ett jordat eluttag.
		Använd inte förlängningskabel.
		Kontrollera att eluttaget har ström. Anslut en lampa för att se om eluttaget fungerar.
		Återställ en utlöst krets brytare. Byt ut eventuellt brända säkringar. <b>ANMÄRKNING:</b> Om problem kvarstår, kontakta en elektriker.
	Kontrollera kontroller.	Se till att kontrollerna är påslagna. Se avsnittet "Använda kontrollerna".
Ny installation.	Vänta 24 timmar efter installationen för att låta kylskåpet kallna helt. <b>ANMÄRKNING:</b> Att justera temperaturkontrollerna till den kallaste inställningen kylv inte avdelningarna snabbare.	
Kylskåpskontroll är i Demo Mode (på vissa modeller).	Om kylskåpet är i Demo Mode stängs kylning av och "Demo" tänds på kontrollpanelen. Se avsnittet "Använda kontrollerna" för mer information.	
Motorn verkar arbeta för mycket	Högeffektiv kompressor och fläktar.	Större, mer effektiva kylskåp arbetar längre vid lägre, mer energieffektiva hastigheter.
	Rums- eller utomhustemperaturen är hög.	Det är normalt för kylskåpet att arbeta längre under dessa förhållanden. För optimala prestanda, placera kylskåpet i en miljö inomhus som är temperaturkontrollerad. Se avsnittet "Placeringskrav".
	En stor mängd varm mat har nyligen lagts in.	Varm mat får kylskåpet att arbeta längre tills luften kallnar till den önskade temperaturen.
	Dörren eller dörrarna öppnas för ofta eller för länge.	Varm luft som kommer in i kylskåpet får det att arbeta mer. Öppna inte dörren så ofta.
	Kylskåpsdörren eller fryslådan är öppen.	Se till att kylskåpet står i våg. Se avsnittet "Avvägning av kylskåp och dörrstängning". Se till att mat och behållare inte blockerar dörren.
	Kylskåpskontrollen är inställd på en för låg nivå.	Justera kylskåpskontrollen till en varmare inställning tills kylskåpstemperaturen är som du önskar.
	Dörr- eller lådtätningen är smutsig, slitna eller sprucken.	Rengör eller byt ut tätningen. Läckor i dörrtätningen får kylskåpet att arbeta längre för att upprätthålla önskade temperaturer.

# FELSÖKNING

Prova först de lösningar som föreslås här för att kanske undvika ett servicesamtal.

Om detta inträffar	Möjliga orsaker	Lösning
Belysningen fungerar inte.	Ditt kylskåp är utrustat med LED-belysning som inte behöver bytas ut.	Om kylskåpet får ström och lamporna inte tänds när en dörr eller låda öppnas, kontakta service eller assistans.
	Dörrar har varit öppna mer än 10 minuter.	Stäng dörrarna och lådan för att återställa och öppna igen för att fortsätta med belysning.
	Dörrens brytare känner inte av dörröppningen.	Se till att det inte finns några magneter eller elektroniska enheter inom 7,62 cm (3") från gångjärnsåpan.
Temperaturkontrollens UI aktiveras inte.	Temperaturkontrollens UI gick in i viloläge.	Tryck på någon UI-knapp för att "väcka" temperaturkontrollens UI.
	Knapparna på temperaturkontrollens UI fungerar inte riktigt som de ska.	Prova med att stänga av och sätta på kylskåpet för att återställa knapparna. Om problem kvarstår, kontakta service eller kundtjänst.
	Temperaturkontrollens UI får ingen ström.	Kontrollera kablaget vid dörrgångjärnet.
Kan inte justera inställningen på temperaturkontrollens UI.	Larm om öppen dörr eller dörr på glänt är aktiverat.	Stäng dörren.
<b>Ovanliga ljud</b>		
För att lyssna efter normala kylskåpsljud, gå till sektionen Produkthjälp/Frågor & Svar på varumärkets webbplats och söker efter "Normala ljud". Nedan listas några normala ljud med förklaringar.		
Kylskåpet verkar bullrigt	Kompressorn i ditt nya kylskåp reglerar temperaturen mer effektivt, samtidigt som mindre energi förbrukas och driften går tystare.	På grund av denna reduktion i driftsljud kan du notera obekanta ljud som är normala.
Ljud från kompressorn som arbetar längre än väntat	Högeffektiv kompressor och fläktar	Större, mer effektiva kylskåp arbetar längre vid lägre, mer energieffektiva hastigheter.
Pulserande / surrande	Fläktar/kompressor justerar för att optimera prestanda under normal kompressordrift.	Detta är normalt.
Poppande	Sammandragning/expansion av inre väggar, särskilt under initial nedkyllning.	Detta är normalt.
Brusande / droppande	Flöde av köldmedel eller olja i kompressorn.	Detta är normalt.
Vibrationer	Kylskåpet kanske inte står stadigt.	Justera avvägningsskruvarna och sänk avvägningfoten ordentligt mot golvet. Se avsnittet "Avvägning av kylskåp och dörrstängning".
Rasslande / bangande	Rörelse hos vattenledningarna mot kylens skåp eller föremål som är placerade ovanpå kylens skåp.	Flytta överflödig vattenledning bort från kylens skåp eller fäst överflödig ledning mot skåpet. Se avsnittet "Anslut vattenförsörjningen" eller flytta undan föremål som står på kylskåpet.
Fräsande	Vatten droppar på värmaren under avfrostningscykel.	Detta är normalt.
Vatten rinner / porlar	Kan höras när is smälter under avfrostningscykeln och vatten rinner ned i tömningspannan.	Detta är normalt.

# FELSÖKNING

Prova först de lösningar som föreslås här för att kanske undvika ett servicesamtal.

Om detta inträffar	Möjliga orsaker	Lösning
<b>Temperatur och fukt</b>		
Temperaturen är för hög.	Kylskåpet har precis installerats.	Vänta 24 timmar efter installationen för att låta kylskåpet kallna helt.
	Kontrollerna är inte korrekt inställda för de omgivande förhållandena.	Justera kontrollerna till en kallare inställning. Kontrollera temperaturen efter 24 timmar. Se avsnittet "Använda kontrollerna".
	Dörren eller dörrarna öppnas för ofta eller stängs inte ordentligt. Låter varm luft komma in i kylskåpet.	Minimera antalet dörröppningar och håll dörrarna helt stängda.
	En stor mängd mat har nyligen lagts in.	Vänta flera timmar så att kylskåpet kan återgå till normal temperatur.
	Demo Mode är aktiverat.	Stäng av Demo Mode. Se avsnittet "Använda kontrollerna".
	Holiday Mode är aktiverat.	Stäng av Holiday Mode. Se avsnittet "Använda kontrollerna".
Temperaturen är för kall i kylskåpet/crispern.	Kylskåpets luftventilation är blockerad.	Om luftventilationen som sitter i mitten på kylavdelningens baksida är blockerad av föremål placerade direkt framför blir kylskåpet för kallt. Flytta undan föremålen från ventilationen.
	Kontrollerna är inte korrekt inställda för de omgivande förhållandena.	Justera kontrollerna till en varmare inställning. Kontrollera temperaturen efter 24 timmar. Se avsnittet "Använda kontrollerna".
	Isbehållaren är inte i korrekt position.	Se avsnittet "Ismaskin och isbehållare".
Temperaturen är för kall i den temperaturkontrollerade lådan.	Kontrollen är inte korrekt inställd för varorna som förvaras i lådan.	Justera temperaturinställningen. Se "Använda kontrollerna" i avsnittet "Användning av kylskåp".
En invändning bildning av fukt föreligger. <b>ANMÄRKNING:</b> En viss bildning av fukt är normal.	Rummet är fuktigt.	En fuktig miljö bidrar till fuktbildning.
	Dörren eller dörrarna öppnas för ofta eller stängs inte ordentligt. Låter fuktig luft komma in i kylskåpet.	Minimera antalet dörröppningar och stäng dörrarna ordentligt.
	Dörren eller dörrarna är blockerade i öppet läge.	Flytta matpaket bort från dörren.
	En ficka eller hylla är i vägen.	Tryck tillbaka fickan eller hyllan i korrekt position.
	Förvaring av vätska i öppna behållare.	Detta tillför fukt invändigt i kylskåpet. Håll alla behållare ordentligt förslutna.
Det är frost/isbildning i frysavdelningen.	Dörren öppnas ofta eller lämnas öppen.	Minimera antalet dörröppningar och stäng lådan ordentligt efter användning.
	Dörren har en dålig dörrtätning.	Se till att dörrtätningarna har full kontakt med kylens skåp för att erhålla en adekvat tätning.
	Temperaturkontrollerna är inte korrekt inställda.	Se avsnittet "Använda kontrollerna" för rekommenderade temperaturinställningar.

# FELSÖKNING

Prova först de lösningar som föreslås här för att kanske undvika ett servicesamtal.

<b>⚠ VARNING</b>

<b>Explosionsrisk</b> <b>Använd ett icke brandfarligt rengöringsmedel.</b> <b>Underlåtenhet att göra detta kan resultera i dödsfall, explosion eller brand.</b>

För att visa en animering om hur du justerar och inriktar dörrar, se sektionen Produkthjälp/Frågor & Svar på varumärkets webbplats och sök "Stängning och inriktning av dörrar".

Om detta inträffar	Möjliga orsaker	Lösning
<b>Dörrar</b>		
Dörrarna stänger inte helt.	Dörren är blockerad i öppet läge.	Flytta matpaket bort från dörren.
	En ficka eller hylla är i vägen.	Tryck tillbaka fickan eller hyllan i korrekt position.
	Nyligen installerade.	Avlägsna allt förpackningsmaterial.
Dörrarna är svåra att öppna.	Dörrtätningarna är smutsiga eller klibbiga.	Rengör tätningar och kontaktytor med mild tvål och varmt vatten. Skölj och torka med en mjuk duk.
Dörrarna verkar vara ojämnta.	Dörrarna behöver inriktas eller kylskåpet behöver avvägas.	Om du behöver inrikta en dörr, kontakta service.
Kylskåpet är ostadigt eller rullar framåt när dörrar öppnas och stängs.	Kylskåpets bromsfötter ligger inte an mot golvet.	Vrid båda bromsfötterna (en på varje sida) lika mycket moturs tills de ligger an mot golvet. Se avsnittet "Avvägning av kylskåp och dörrstängning".

# Indholdsfortegnelse

<b>SIKKER BRUG AF KØLE-/FRYSESKABET .....</b>	<b>224</b>
Korrekt bortskaffelse af det gamle køle-/fryseskab .....	227
<b>OVERSIGT .....</b>	<b>228</b>
<b>OPSTILLINGSVEJLEDNING .....</b>	<b>229</b>
Kom godt i gang .....	229
Pak køle-/fryseskabet ud .....	229
Krav til placeringsstedet .....	230
Krav til strømforsyningen .....	230
Fjern køleafdelingens døre og monter dem igen.....	232
Fjern og genmonter døren til fryseafdelingen/Flexi Freeze.....	234
Nivellering af køle-/fryseskabet .....	235
Brug af betjeningsknapperne .....	236
Belysning i køleafdelingen .....	237
<b>BRUG AF KØLE-/FRYSESKABET .....</b>	<b>238</b>
Åbning og lukning af døre.....	238
Opbevaring af madvarer .....	238
<b>HYLDER, DØRHYLDER OG SKUFFER.....</b>	<b>239</b>
Fryseafdelingens opbevaringsrum .....	240
Lydreference .....	240
Tilbehør .....	240
Assistance eller Service .....	240
<b>VEDLIGEHOLDELSE AF KØLE-/FRYSESKABET .....</b>	<b>241</b>
Rengøring.....	241
Lamper .....	242
Ferie og flytning .....	242
<b>FEJLFINDING .....</b>	<b>243</b>

# SIKKER BRUG AF KØLE-/FRYSESKABET

## Din og andres sikkerhed er meget vigtig.

Denne betjeningsvejledning og selve apparatet er forsynet med vigtige oplysninger om sikkerhed. Sikkerhedsoplysningerne skal altid læses og overholdes.



Dette er symbolet for fare.

Symbolet advarer om mulige risici, der kan føre til personskade eller død for dig og andre.

Dette symbol står foran alle sikkerhedsoplysninger sammen med ordet "FARE" eller "ADVARSEL".

Disse ord betyder:

 **FARE**

En farlig situation, der kan føre til alvorlig skade eller død, hvis anvisningerne ikke straks følges.

 **ADVARSEL**

En farlig situation, der kan føre til død eller alvorlig skade, hvis anvisningerne ikke følges.

Alle sikkerhedsoplysninger vil specificere den mulige fare og angive, hvordan risikoen for skader kan mindskes, samt hvad der kan ske ved manglende overholdelse af angivelserne.



## SIKKERHEDSREGLER

Læs disse sikkerhedsregler, inden apparatet tages i brug. Gem vejledningen til eventuel senere brug. Denne vejledning og selve apparatet er forsynet med vigtige oplysninger om sikkerhed, der altid skal overholdes. Producenten fralægger sig ethvert ansvar for manglende overholdelse af disse sikkerhedsregler, for ukorrekt brug af apparatet eller forkert indstilling af betjeningsknapperne.

△ Små børn (0-3 år) skal holdes væk fra apparatet. Mindre børn (3-8 år) skal holdes væk fra apparatet, medmindre de er under konstant opsyn. Børn på 8 år og derover samt personer, der er fysisk, sensorisk og mentalt funktionshæmmede eller uden forudgående erfaring og viden, må udelukkende betjene apparatet, hvis de er under opsyn eller har fået den nødvendige oplæring i sikker brug af apparatet samt forstår farerne ved forkert brug. Børn må ikke lege med apparatet. Rengøring og vedligeholdelse må ikke foretages af børn, medmindre de er under opsyn.

### TILLADT BRUG

△ FORSIGTIG: Apparatet er ikke beregnet til at blive startet ved hjælp af en ekstern tilkobling, som f.eks. en timer, eller en separat fjernbetjening.

△ Dette apparat er beregnet til husholdningsbrug samt: i køkkenet på arbejdspladser, kontorer og forretninger, på landbrugsejendomme samt på hoteller, moteller, bed & breakfast og ferielejligheder til brug for den enkelte gæst.

△ Dette apparat er ikke egnet til professionel brug. Anvend ikke apparatet udendørs.

△ Apparatet er beregnet til drift i omgivelser med rumtemperaturer inden for følgende intervaller, der svarer til den klimakategori, som er angivet på typepladen. Apparatet kan ikke fungere korrekt, hvis det i en længere periode får lov til at stå i en temperatur over eller under det angivne interval. Klimakategori, rumtemp. (°C)

SN: Fra 10 til 32 °C; N: Fra 16 til 32 °C

ST: Fra 16 til 38 °C; T: Fra 16 til 43 °C

△ Dette apparat indeholder ikke CFC. Kølesystemet indeholder R600a (HC). Apparatet indeholder isobutan (R600a): Isobutan er en naturlig gasart, der ikke påvirker miljøet, men den er brændbar. Sørg derfor for, at kølesystemet ikke er defekt, specielt når kølesystemet tømmes.

△ ADVARSEL: Sørg for ikke at beskadige apparatets kølesystem.

△ ADVARSEL: Sørg for, at ventilationsåbningerne i apparatets kabinet eller inde i skabet ikke blokeres eller tildækkes.

## VIGTIGT, SKAL LÆSES OG OVERHOLDES

△ ADVARSEL: Brug aldrig andre mekaniske, elektriske eller kemiske anordninger til at fremskynde afrimningen end dem, der anbefales af producenten.

△ ADVARSEL: Brug eller anbring aldrig andet elektrisk udstyr i apparatet end det, der er udtrykkeligt autoriseret af producenten.

△ ADVARSEL: Is- og/eller vandmaskiner, der ikke er sluttet direkte til vandforsyningen, må udelukkende fyldes med drikkevand.

△ ADVARSEL: Automatiske ismaskiner og/eller vandautomater skal sluttet til en vandhane, der udelukkende leverer drikkevand (med et tryk på mellem 0,17 og 0,81 Mpa (1,7 og 8,1 bar)).

△ Opbevar aldrig produkter med eksplosive stoffer, som f.eks. aerosolspray med brændbare drivmidler, i dette apparat.

△ Den ugiftige væske i fryseelementerne (findes i visse modeller) må ikke indtages. Isterninger og sodavandsis må ikke indtages umiddelbart efter, at de er taget ud af fryseren, da de kan give frostskafer.

△ Apparatet, der er beregnet til brug med et luftfilter inden i ventilatordækslet, skal altid have filteret monteret korrekt, når køle-/fryseskabet er i drift.

△ Glasflasker med væsker må ikke anbringes i fryseafdelingen, da de kan gå i stykker. Bloker ikke ventilatoren (hvis den findes) med madvarer. Kontroller, at dørene lukker korrekt (specielt fryserdøren), når du har anbragt madvarer i apparatet.

△ Beskadigede kurve skal udskiftes så hurtigt som muligt.

△ Brug kun køleafdelingen til opbevaring af friske madvarer og fryseafdelingen til opbevaring af frostvarer, indfrysning af friske madvarer samt fremstilling af isterninger.

△ Opbevar ikke uindpakkede madvarer i direkte kontakt med køle- eller fryseafdelingens indvendige overflader. Apparatet har muligvis specielle afdelinger (afdeling til friske madvarer, rummet Nul grader osv.). De kan fjernes (medmindre andet er angivet i den specifikke brugervejledning til produktet), uden at apparatets funktion påvirkes.

### OPSTILLING

△ Flytning og opstilling af apparatet skal foretages af to eller flere personer - risiko for personskade. Brug beskyttelseshandsker, når emballagen fjernes, og når apparatet opstilles - risiko for snitsår.

△ Opstilling, herunder tilslutning til vandforsyning (hvis relevant) og elektriske tilslutninger og reparationer skal udføres af en autoriseret tekniker. Reparer eller udskift ikke nogen af apparatets dele, medmindre det kræves specifikt i brugervejledningen. Hold børn væk fra installationsstedet.

Kontroller, at apparatet ikke er blevet beskadiget under transporten. I tilfælde af problemer kontaktes forhandleren eller den nærmeste serviceafdeling. Når apparatet er opstillet, skal emballagematerialerne (plast, polystyrenskum osv.) opbevares uden for børns rækkevidde - risiko for kvælning. Tag stikket ud af stikkontakten før enhver form for installation - risiko for elektrisk stød. Under opstillingen skal det kontrolleres, at apparatet ikke beskadiger elkablet - risiko for brand eller elektrisk stød. Apparatet må ikke aktiveres, før opstillingen er helt færdig.

⚠ Vær forsigtig i forbindelse med flytninger, så gulvet ikke bliver beskadiget (f.eks. parketgulv). Opstil apparatet på et gulv, som kan modstå vægten, og på et passende anvendelsessted. Sørg for, at apparatet ikke opstilles i nærheden af en varmekilde, og at alle fire fødder står godt og sikkert på gulvet. Juster eventuelt fødderne, og kontroller, at apparatet er helt i vater ved hjælp af et vaterpas. Det anbefales at vente mindst to timer efter opstilling med at starte apparatet, således at kølesystemet fungerer perfekt.

⚠ Der skal være fri plads på begge sider og over apparatet for at sikre tilstrækkelig ventilation. Afstanden mellem apparatets bagside og væggen bag apparatet skal være mindst 50 mm for at undgå varme overflader. Hvis denne afstand reduceres, øges produktets energiforbrug.

⚠ ADVARSEL: Apparatet skal opstilles eller fastgøres i overensstemmelse med anvisningerne, så risici forbundet med manglende stabilitet undgås. Apparatet må ikke anbringes, så dets bagvæg (kondensator) er i kontakt med en metalslange på gaskomfur, metal gas- eller vandrør eller elektriske ledninger.

⚠ Kontakt det tekniske servicecenter, hvis dørene skal vendes.

### ADVARSLER VEDRØRENDE ELEKTRICITET

⚠ Strømforsyningen skal kunne afbrydes enten ved at tage stikket ud, hvis dette er muligt, eller ved hjælp af en flerpolet afbryder, der er anbragt før stikkontakten, i overensstemmelse med gældende lokale standarder for elektrisk sikkerhed.

⚠ Brug ikke forlængerledninger, multistikdåser eller adaptere. Efter endt installation må der ikke være direkte adgang til de elektriske dele. Rør ikke ved apparatet, når du er våd eller har bare fødder. Anvend ikke dette apparat, hvis netledningen eller stikproppen er beskadiget, hvis det ikke fungerer korrekt, eller hvis det er beskadiget eller har været tabt på gulvet.

⚠ Hvis ledningen er beskadiget, skal den udskiftes med en af samme type af en autoriseret tekniker eller af en tilsvarende kvalificeret person for at undgå personskade - risiko for elektrisk stød.

⚠ ADVARSEL: Sørg for, at netledningen ikke kommer i klemme eller bliver beskadiget, når apparatet opstilles.


⚠ ADVARSEL: Brug ikke multistikdåser på bagsiden af apparatet.

### RENGØRING OG VEDLIGEHOLDELSE

⚠ ADVARSEL: Før enhver form for vedligeholdelse eller rengøring skal der slukkes for apparatet, og stikket skal tages ud af stikkontakten. Brug aldrig damprensere - risiko for elektrisk stød.


⚠ Anvend ikke kraftige eller slibende rengøringsmidler, som f.eks. rengøringsmidler til vinduer, skurende rengøringsmidler, brændbare væsker, rengøringsvoks, koncentrerede rengøringsmidler, blegemidler eller rengøringsmidler, der indeholder petroleum, på plastdele, skabets indersider og dørtætninger eller pakninger. Anvend ikke køkkenrulle, skuresvampe eller slibende rengøringsredskaber.

### BORTSKAFFELSE AF EMBALLAGEN

Emballagen kan genbruges 100% og er mærket med genbrugssymbolet . Emballagen skal derfor bortskaffes i overensstemmelse med gældende lokale regler for affaldshåndtering.

### BORTSKAFFELSE AF HUSHOLDNINGSAPPARATER

Apparatet er fremstillet af materialer, der kan genbruges. Det skal skrottes i henhold til gældende lokale miljøregler for bortskaffelse af affald. For yderligere oplysninger om behandling, genvinding og genbrug af elektriske husholdningsapparater skal du kontakte de lokale myndigheder, renovationsselskabet eller forretningen, hvor apparatet er købt. Dette apparat er i overensstemmelse med EU-direktiv 2012/19/EF, Affald af elektrisk og elektronisk udstyr (WEEE). Ved at sikre, at dette produkt bortskaffes korrekt, hjælper du med til at forhindre negative konsekvenser for miljøet og folkesundheden.

Symbolet  på produktet eller den ledsagende dokumentation angiver, at dette produkt ikke må bortskaffes som husholdningsaffald, men at det skal afleveres på nærmeste opsamlingscenter for genbrug af elektrisk og elektronisk udstyr.

### ENERGISPARERÅD

Opstil apparatet et tørt sted med god ventilation og langt væk fra varmekilder (f.eks. radiator, komfur osv.), hvor det ikke udsættes for direkte sollys. Hvis det er nødvendigt, kan du bruge en isoleringsplade. Følg anvisningerne i opstilling for at sikre passende ventilation. Utilstrækkelig ventilation på apparatets bagside fører til øget energiforbrug og forringet afkølingseffektivitet.

Hypig åbning af dørene kan føre til et forøget energiforbrug. Apparatets indvendige temperatur og energiforbruget påvirkes desuden af rumtemperaturen og apparatets placering. Disse faktorer skal tages i betragtning ved indstillingen af temperaturen.

Lad dørene stå åbne så kort tid som muligt.

Optø frosne madvarer i køleafdelingen. De frosne madvarers lave temperatur afkøler madvarerne i køle-/fryseskabet. Lad varme madvarer og drikke køle ned, før de anbringes i apparatet.

Hyldernes placering i køle-/fryseskabet påvirker ikke energiforbruget. Madvarerne skal anbringes på hylderne, så luften kan cirkulere korrekt (madvarerne må ikke berøre hinanden eller bagvæggen).

Fryseafdelingens opbevaringskapacitet kan udvides ved at fjerne kurvene og, hvis den findes, hylden Stop frost.

Vær ikke bekymret over kompressorlyde, der beskrives som normale lyde i den hurtige vejledning til dette produkt.



## Korrekt bortskaffelse af det gamle køle-/fryseskab

### **⚠ ADVARSEL**

#### **Risiko for kvælning**

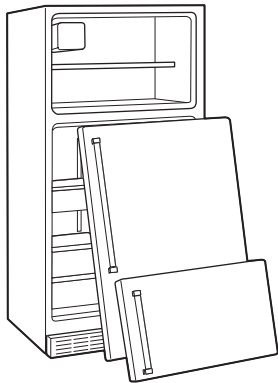
**Tag dørene af dit gamle køle-/fryseskab.**

**I modsat fald udgør apparatet en risiko for død eller hjerneskade.**

**VIGTIGT:** Der vil altid være risiko for, at børn kan blive lukket inde og kvalt i apparatet. Et kasseret eller uovervåget køle-/fryseskab kan være en farlig legeplads også selv om køle-/fryseskabet kun er uovervåget i få dage. Følg nedenstående forholdsregler, når du kasserer dit gamle køle-/fryseskab, så uheld undgås.

#### **Gør følgende, inden et køleskab eller en fryser kasseres:**

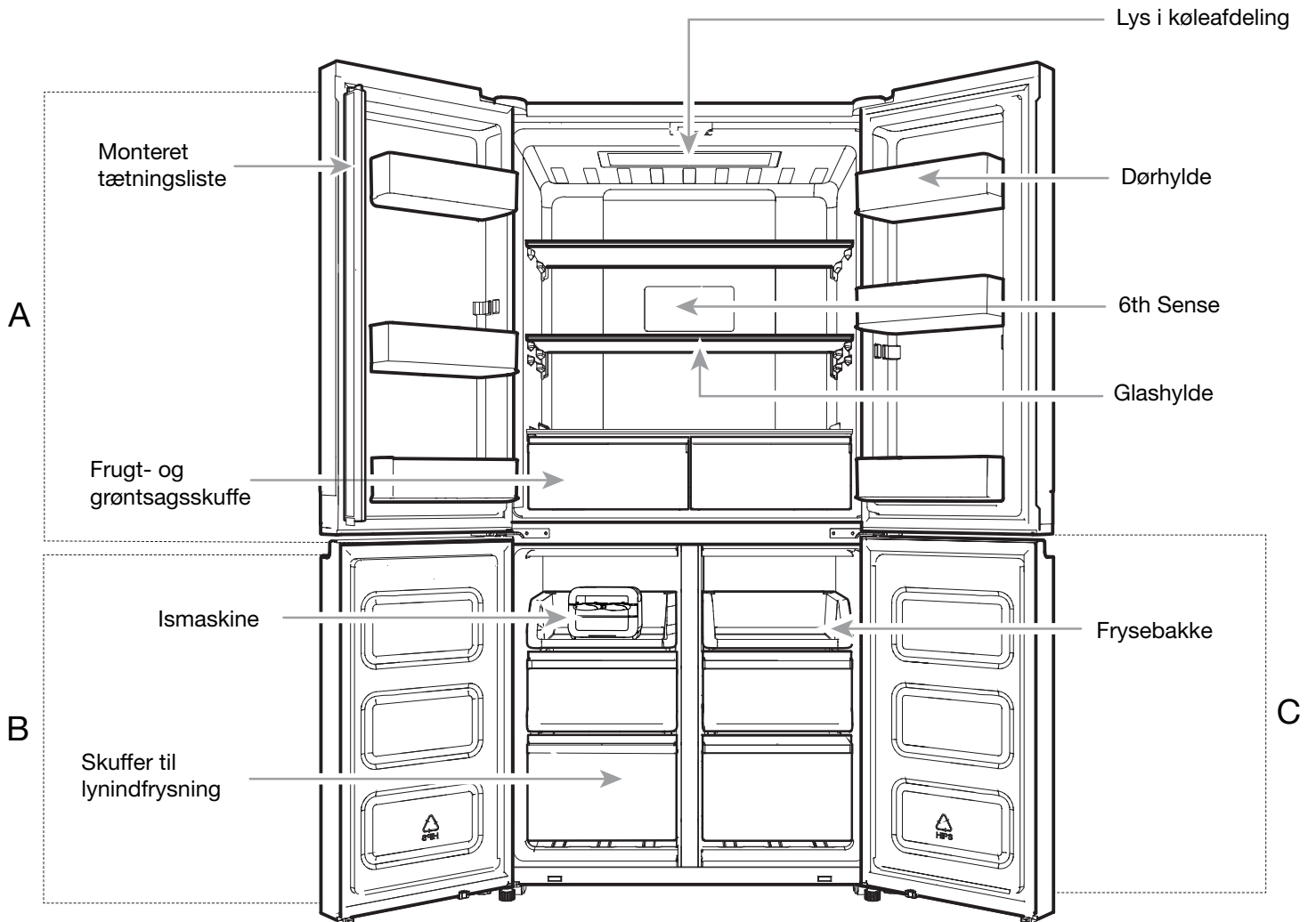
- Tag dørene af.
- Efterlad hylderne på plads, så børn ikke nemt kan kravle ind i apparatet.



#### **Vigtige oplysninger om bortskaffelse af kølemidler:**

Bortskaf køle-/fryseskabet i overensstemmelse med gældende nationale og lokale bestemmelser. Kølemidler skal tømmes ud af en autoriseret tekniker i overensstemmelse med fastlagte procedurer.

# OVERSIGT



- A . Køleafdeling
- B . Fryseafdeling
- C . Flexi Freeze (kun med WQ9 B1L, 6WM591NIHAS og WQ70900SXX)

# OPSTILLINGSVEJLEDNING

## Kom godt i gang INSTALLATIONSTJEKLISTE

### ✓ Elektrisk strøm

#### ⚠ ADVARSEL



#### Risiko for elektrisk stød

Sæt stikket i en stikkontakt med jordforbindelse.

Fjern ikke jordforbindelsesstikket.

Brug ikke en adapter.

Brug ikke forlængerledninger.

Hvis anvisningerne ikke følges, kan det resultere i død, brand eller elektrisk stød.

- Slut køle-/fryseskabet til en stikkontakt med jordforbindelse.

### ✓ Døre

- Se afsnittene "Fjern og genmonter køleafdelingens døre" og "Fjern og genmonter fryserdøren", hvis dørene skal fjernes under opstillingen.
- Dørene lukker helt tæt.
- Køle-/fryseskabet er i vater. Juster nivelleringsfødderne, så de hviler på gulvet.
- Dørene sidder lige langs toppen. (Brug om nødvendigt dørjusteringsfunktionen).

### ✓ Afsluttende kontroller

- Fjern al forsendelsesmateriale.
- Sæt betjeningsknapperne for temperatur på den anbefalede indstilling.
- Gem brugervejledningen og anden dokumentation.
- For at modtage en mere komplet assistance bedes du registrere dit produkt på [www.whirlpool.eu/register](http://www.whirlpool.eu/register).

## Pak køle-/fryseskabet ud

#### ⚠ ADVARSEL

#### Meget tung - fare

Lad to eller flere personer løfte køleskabsdøren.

Hvis dette ikke overholdes, kan det resultere i rygskade eller andre skader.

### Efter levering af køle-/fryseskabet

En minimum døråbning på 838 mm er nødvendig. Hvis døråbningen er 914 mm eller mindre, skal døre, skuffe og hængsler fjernes.

Kør køle-/fryseskabet sidelæns ind, uanset døråbningens størrelse.

#### Flytning/transport af køle-/fryseskabet:

Køle-/fryseskabet er tungt. Dæk gulvet til med pap eller fiberplader, så det ikke bliver beskadiget, når køle-/fryseskabet skal flyttes med henblik på rengøring eller service. Træk altid køle-/fryseskabet lige ud, når det flyttes. Vrik ikke køle-/fryseskabet, når det flyttes, da dette kan beskadige gulvet.

### Fjern emballagen

- Fjern tape- og limrester, inden du tænder for apparatet. Fjern klæbemidlet ved at gnide på det med lidt flydende opvaskemiddel. Skyl med varmt vand, og tør efter.
- Brug ikke skarpe redskaber, sprit, brændbare væsker eller slibende rengøringsmidler til at fjerne tape eller lim. Disse produkter kan beskadige køle-/fryseskabets overflade.
- Bortskaf/genbrug al emballage.

### Rengør inden ibrugtagning

Når al emballagen er fjernet, skal apparatet rengøres indvendigt, før det tages i brug. Se anvisninger i rengøring i afsnittet "Vedligeholdelse af køle-/fryseskabet".

#### Vigtig information om glashylder og -låg:

Glashylder og -låg må ikke rengøres med varmt vand, når de er kolde. Pludselige temperaturudsving og stød eller bump kan få dem til at gå i stykker. Hærdet glas splintres i mange små stykker på støtelse med små sten. Det er helt normalt. Glashylder og -låg er tunge. Brug begge hænder, når de skal flyttes, så du ikke taber dem.

## Krav til placeringsstedet

### ⚠ ADVARSEL



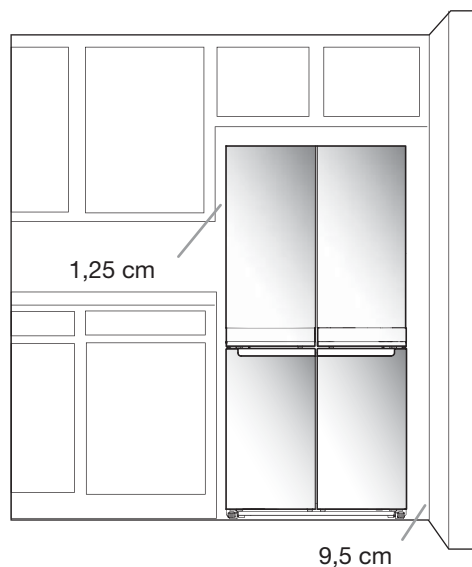
#### Eksplisionsfare

Hold brændbare materialer og dampe, som f.eks. benzin, væk fra køle-/fryseskabet.

I modsat fald er der risiko for død, eksplosion eller brand.

For at sikre korrekt ventilation skal der være 1,25 cm fri plads ved hver side af og over apparatet. Der skal være 5 cm fri plads bagved apparatet. Hvis dit køle-/fryseskab har en ismaskine, skal der være ekstra plads bagved skabet til vandforsyningsslangens forbindelser. Hvis køle-/fryseskabet opstilles ved siden af en væg, skal der være mindst 9,5 cm fri plads mellem skabet og væggen, så døren kan åbnes.

**BEMÆRK:** Dette køle-/fryseskab er beregnet til brug et sted med temperaturer på min. 10°C og maks. 43°C. Det foretrukne temperaturområde for optimal drift, som reducerer energiforbruget og giver den bedste køling, er mellem 15°C og 32°C. Det frarådes at opstille køle-/fryseskabet i nærheden af en varmekilde, som f.eks. en ovn eller radiator.



## Krav til strømforsyningen

### ⚠ ADVARSEL



#### Risiko for elektrisk stød

Sæt stikket i en stikkontakt med jordforbindelse.

Fjern ikke jordforbindelsesstikket.

Brug ikke en adapter.

Brug ikke forlængerledninger.

Hvis anvisningerne ikke følges, kan det resultere i død, brand eller elektrisk stød.

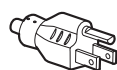
**VIGTIGT:** Den elektriske installation og tilslutning skal udføres af en autoriseret installatør i overensstemmelse med producentens anvisninger og gældende lovgivning.

- Køle-/fryseskabet er beregnet til drift ved 220-240 volt, 10 A, 50/60 Hz.
- Kontroller, at spændingen på typepladen svarer til spændingen i hjemmet.
- Strømforsyningen skal kunne afbrydes enten ved at tage stikket ud eller ved hjælp af en 2-polet afbryder, der er anbragt før stikkontakten.
- Eventuel udskiftning af ledningen skal foretages af en autoriseret tekniker eller af en tilsvarende kvalificeret person, for at undgå fare for personskade.

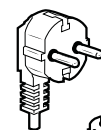
Inden køle-/fryseskabet opstilles på den endelige placering, er det vigtigt at kontrollere, at du har den korrekte elektriske forbindelse:

#### Anbefalet metode for ekstrabeskyttelse

Der kræves en elforsyning på 10 A med sikring og ekstrabeskyttelse (jordforbindelse), 220-240 volt, 50 Hz, 220 volt, 60 Hz eller 230/240 volt, 50 Hz.



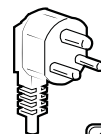
Type B



Type E og F



Type I



Type M



Type G

#### Kun for Australien og New Zealand:

Dit nye apparat er specifikt fremstillet til at opfylde alle australske standarder og betingelser.

Nogle bemærkninger i installationsanvisningerne refererer muligvis til elektriske krav i andre lande, og det er grunden til, at vi beder dig være specielt opmærksom på disse specifikke oplysninger.

Dit apparat skal sluttes til en udgang med jordforbindelse med 10 A, 230/240 volt, 50 Hz.

## Elektriske krav (kun for Storbritannien og Irland)

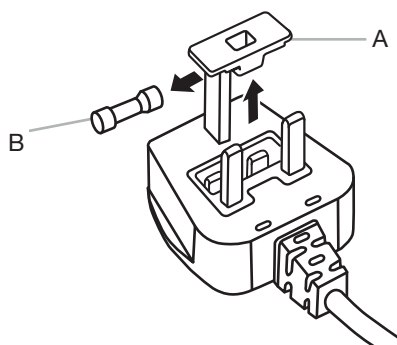
**VIGTIGT:** Dette apparat skal ekstrabeskyttes!

### Udskiftning af sikring

Hvis dette apparats ledning er udstyret med et BS1363A, 13 A beskyttet stik, skal sikringen udskiftes med en A.S.T.A. godkendt type, der er i overensstemmelse med BS 1362. Det gøres på denne måde:

1. Fjern sikringsdækslet (A) og sikringen (B).
2. Sæt den nye 13 A sikring i dækslet.
3. Sæt sikringen og dækslet på plads i stikket.

**VIGTIGT:** Sikringsdækslet skal sættes på plads igen efter udskiftning af en sikring. Hvis sikringsdækslet beskadiges, må stikket ikke anvendes, før sikringsdækslet er blevet skiftet ud med et nyt af korrekt type. Korrekt udskiftning kan kendes på den farvede indsats eller farven på det ord, der er præget på stikkets bund. Erstatningsdæksler fås i en forretning med elartikler.



A. Sikringsdæksel  
B. Sikring

### Kun for Irland:

Oplysningerne for Storbritannien vil ofte være gældende, men der anvendes også en tredje type stik og stikkontakt, 2-bens, med jordforbindelse i siden.

### Stikkontakt/stik (gælder begge lande):

Kontakt venligst Service for at få yderligere oplysninger, hvis det monterede stik ikke passer til stikkontakten. Prøv ikke på selv at skifte stikket. Dette indgreb skal udføres af en autoriseret tekniker i henhold til producentens anvisninger og gældende lovgivning.

## Temperatur

Apparatet er beregnet til drift i omgivelser med rumtemperaturer inden for følgende intervaller, der svarer til den klimakategori, som er angivet på typepladen. Køle-/fryseskabet kan ikke fungere korrekt, hvis det i en længere periode får lov til at stå i en temperatur over eller under det angivne interval.

**BEMÆRK:** Det frarådes at opstille køle-/fryseskabet i nærheden af en varmekilde, som f.eks. en ovn eller radiator.

Klimakategori	Rumtemp. (°C)	Rumtemp. (°F)
SN	Fra 10 til 32	Fra 50 til 90
N	Fra 16 til 32	Fra 61 til 90
ST	Fra 16 til 38	Fra 61 til 100
T	Fra 16 til 43	Fra 61 til 110

## Fjern køleafdelingens døre og monter dem igen

**BEMÆRK:** Mål døråbningens bredde for at se, om det er nødvendigt at afmontere dem for at flytte apparatet ind i dit hjem. Se følgende anvisninger, hvis det er nødvendigt at fjerne dørene.

**VIGTIGT:** Hvis apparatet blev opstillet tidligere, og du skal flytte det ud af dit hjem, skal du slukke for apparatet, inden du begynder at fjerne dørene. Tag stikket ud af stikkontakten, eller afbryd strømforsyningen. Fjern madvarer og justerbare dørlåger eller -hylder.

Find det nødvendige værktøj frem, og læs anvisningerne, inden du fjerner dørene.

**NØDVENDIGT VÆRKTØJ:** 6 mm skruenøgle, 5 mm skruenøgle og nr. 2 Phillips-skruetrækker.



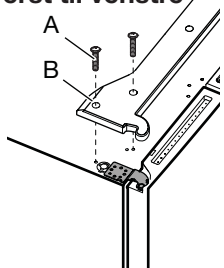
### ADVARSEL

Risiko for elektrisk stød

Tag stikket ud af stikkontakten, inden dørene fjernes.

I modsat fald er der risiko for død eller elektrisk stød.

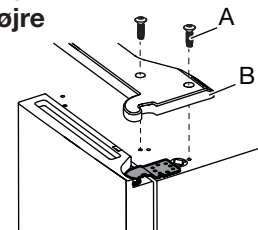
#### Hængselsdæksel øverst til venstre



A. Øverste hængselsdækselskrue

B. Øverste hængselsdæksel

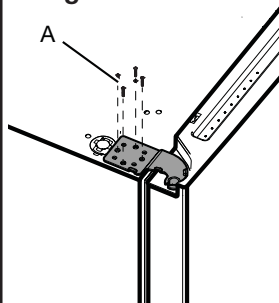
#### Hængselsdæksel øverst til højre



A. Øverste hængselsdækselskrue

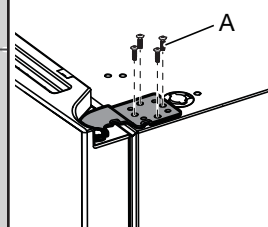
B. Øverste hængselsdæksel

#### Hængsel øverst til venstre



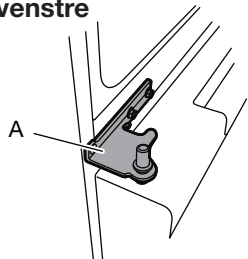
A. 5 mm unbrakoskrue

#### Hængsel øverst til højre



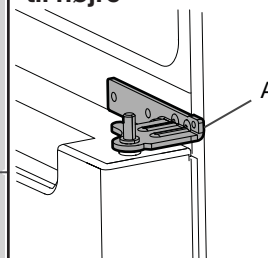
A. 5 mm unbrakoskrue

#### Midterste hængsel til venstre



A. Hængsel

#### Midterste Hængsel til højre



A. Hængsel



## ⚠ ADVARSEL

Meget tung - fare

Lad to eller flere personer løfte køleskabsdøren.

Hvis dette ikke overholdes, kan det resultere i rygskade eller andre skader.

### Fjern køleafdelingens døre

## ⚠ ADVARSEL



Risiko for elektrisk stød

Tag stikket ud af stikkontakten, inden dørene fjernes.

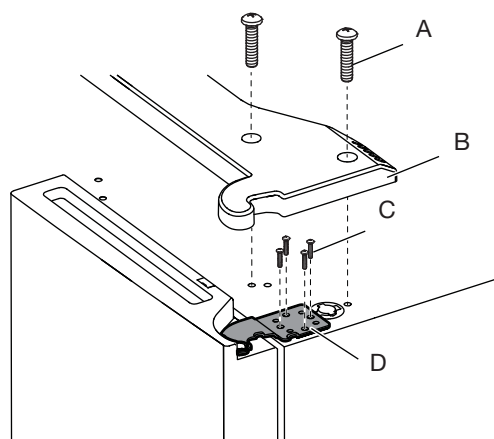
I modsat fald er der risiko for død eller elektrisk stød.

### Fjern døren i højre side

1. Tag stikket ud af stikkontakten, eller afbryd strømforsyningen.
2. Hold køleafdelingens døre lukkede, indtil du er klar til at løfte dem af kabinettet.

**BEMÆRK:** Sørg for at støtte døren yderligere, mens hængslerne fjernes. Stol ikke udelukkende på, at dørmagneterne kan holde døren på plads, mens du arbejder.

3. Fjern dækslet fra det øverste hængsel ved hjælp af en Phillips-skruetrækker.
4. Brug en 5 mm skruenøgle til at fjerne de fire skruer fra det øverste hængsel, og læg dem til side.



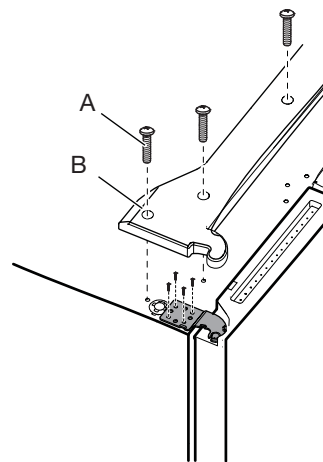
- A. Øverste hængseldækselskrue      C. 5 mm unbrakoskruer  
B. Øverste hængseldæksel          D. Øverste hængsel

5. Løft køleafdelingens dør af den midterste hængselstap. Det øverste hængsel kommer af sammen med døren.

### Fjern døren i venstre side

**VIGTIGT:** Temperaturkontrolpanelets ledninger føres gennem dørhængslet til venstre, så de skal frakobles, inden døren fjernes.

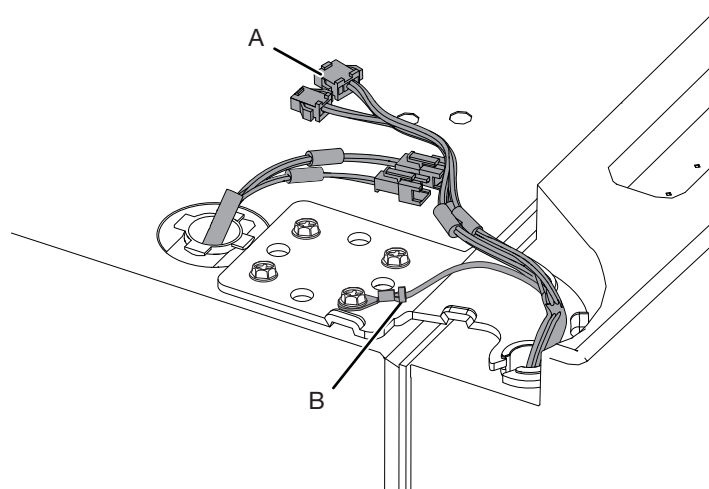
1. Fjern dækslet fra det øverste hængsel ved hjælp af en Phillips-skruetrækker.



- A. Øverste hængseldækselskrue  
B. Øverste hængseldæksel

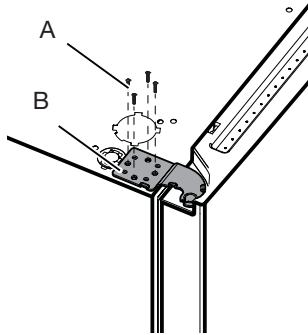
2. Frakobl de to ledningsstik placeret øverst på dørhængslet.

- Grib fat i hver side af ledningsstikkene. Tryk ned med venstre tommelfinger for at frigøre låsemekanismen og trække stikkene dele fra hinanden.



- A. Ledningsstik  
B. Jordforbindelsesledning

3. Brug en 5 mm skruenøgle til at fjerne de fire indvendige skruer fra det øverste hængsel, og læg dem til side.



- A. 5 mm unbrakoskruer  
B. Øverste hængsel

**BEMÆRK:** Sørg for at støtte køleafdelingens dør yderligere, mens hængslerne fjernes. Stol ikke udelukkende på, at dørmagneterne kan holde døren på plads, mens du arbejder.

4. Løft køleafdelingens dør af den nederste hængselstap. Det øverste hængsel kommer af sammen med døren.

**BEMÆRK:** Det er muligvis ikke nødvendigt at fjerne de nederste hængsler og bremsefødder for at flytte køle-/fryseskabet gennem en døråbning.

- Hvis det er nødvendigt, kan det midterste hængsel fjernes ved hjælp af en 6 mm skruenøgle og en nr. 2 Phillips-skruestrækker.

#### Genmonter køleafdelingens dør i højre side

1. Sæt døren i højre side på den midterste hængselstap.
2. Sæt den øverste hængselstap ind i det åbne hul i toppen af køleafdelingens dør.
3. Fastgør hængslet til kabinettet med brug af fire 5 mm unbrakoskruer. Spænd ikke skruerne helt.

#### Genmonter køleafdelingens dør i venstre side

1. Sæt døren i venstre side på den midterste hængselstap.
2. Fastgør hængslet til kabinettet med brug af fire 5 mm unbrakoskruer. Spænd ikke skruerne helt.
3. Tilslut de elektriske forbindelser igen.
  - Skub ledningsstikkets to dele sammen.
  - Slut jordledningen til hængselskruen.

#### Afsluttende trin

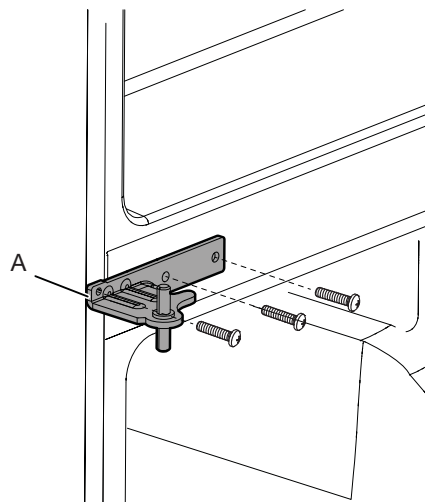
1. Fastspænd de otte 5 mm unbrakoskruer helt.
2. Monter de øverste hængseldæksler igen.

## Fjern og genmonter døren til fryseafdelingen/Flexi Freeze

1. Hold fryseafdelingens døre lukkede, indtil du er klar til at løfte dem af kabinettet.

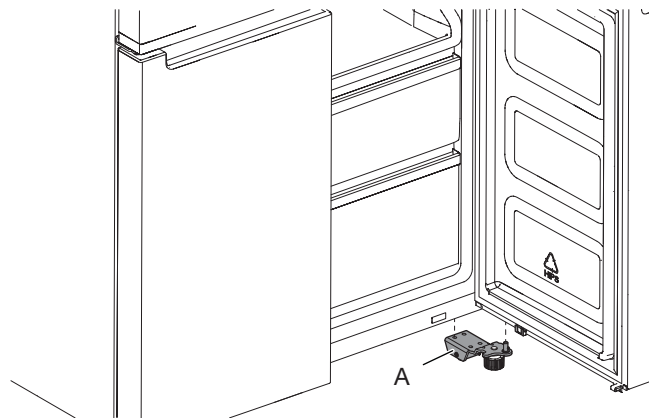
**BEMÆRK:** Sørg for at støtte fryserdøren yderligere, mens hængslerne fjernes. Stol ikke udelukkende på, at dørmagneterne kan holde døren på plads, mens du arbejder.

- Brug en nr. 2 Phillips-skruestrækker og en 6 mm skruenøgle til at fjerne det midterste hængsel fra kabinettet.



A. Midterste hængsel

- Løft fryseafdelingens dør af den nederste hængselstap.



A. Nederste hængsel

## ⚠ ADVARSEL



### Risiko for elektrisk stød

Sæt stikket i en stikkontakt med jordforbindelse.

Fjern ikke jordforbindelsesstikket.

Brug ikke en adapter.

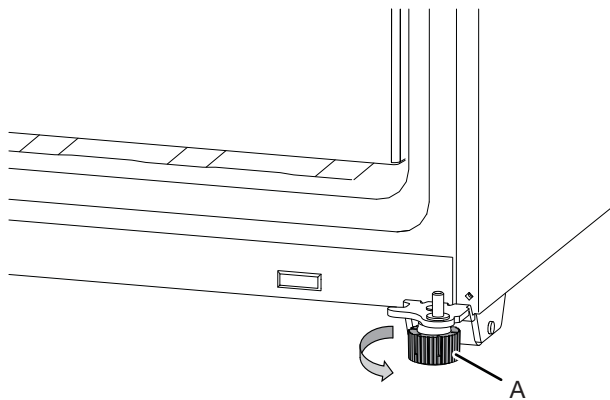
Brug ikke forlængerledninger.

Hvis anvisningerne ikke følges, kan det resultere i død, brand eller elektrisk stød.

1. Sæt stikket i en stikkontakt med jordforbindelse.
2. Sæt alle udtagelige dele og madvarerne på plads i skufferne.

## Nivellering af køle-/fryseskabet

1. Flyt apparatet til det sted, hvor det skal stå.
2. Drej bremsefoden med hånden. Drej dem mod uret, indtil rullerne ikke er i kontakt med gulvet, og begge bremsefødder hviler på gulvet. På denne måde kan køle-/fryseskabet ikke rulle fremad, når dørene åbnes.



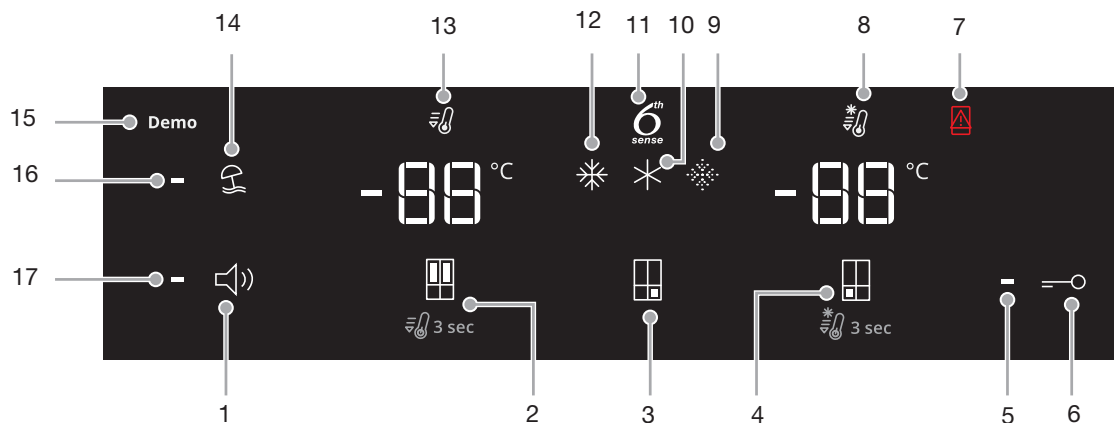
A. Bremsefod

**VIGTIGT:** Hvis du skal udføre yderligere justeringer, der omfatter bremsefødderne, skal de to bremsefødder drejes lige meget, så apparatet forbliver i vater.

3. Brug et vaterpas til at sikre, at køle-/fryseskabet er plant fra side til side og forside til bagside.

## Brug af betjeningsknapperne

Fingertouch-knapperne er anbragt på køleafdelingens venstre dør. Kontrolpanelet omfatter oplysninger om forskellige knapper og indikatorer. Indikatorerne for temperatur i køleafdelingen og fryseafdelingen viser de sidst indstillede temperaturværdier.



1. Til/fra-knap for lyd
2. Knap for temperatur i køleafdelingen (hold inde i 3 sek for Fast Cool)
3. Knap til forudindstillet Flexi Freeze-temperatur (kun med WQ9 B1L, 6WM591NIHAS og WQ70900SXX)
4. Knap for temperatur i fryseafdelingen (hold inde i 3 sek for Fast Freeze)
5. Indikator for Tastelås
6. Knappen Tastelås
7. Indikator for åben dør
8. Indikator for Fast Freeze
9. Indikator for mild frysertemperatur (kun med WQ9 B1L, 6WM591NIHAS og WQ70900SXX)
10. Indikator for middel frysertemperatur (kun med WQ9 B1L, 6WM591NIHAS og WQ70900SXX)
11. Indikator for 6th Sense
12. Indikator for kraftig frysertemperatur (kun med WQ9 B1L, 6WM591NIHAS og WQ70900SXX)
13. Indikator for Fast Cool
14. Knap for Ferie-funktion
15. Indikator for Demo-funktion (kun med WQ9 B1L, 6WM591NIHAS og WQ70900SXX)
16. Indikator for feriefunktion
17. Indikator for lyd

Kontrolpanelet slukker automatisk efter et minuts inaktivitet. Kontrolpanelet tændes ved at trykke på en af tasterne.

### - Visning og justering af temperaturindstillinger

#### Justering af temperaturen i køleafdelingen og i fryseafdelingen:

Køleskabets og fryserens betjeningsknapper er forudindstillet på fabrikken.

Kontroller, at betjeningsknapperne stadig er indstillet til de anbefalede indstillinger, når du opstiller apparatet første gang. Den anbefalede temperaturindstilling er 3°C for køleafdelingen og -18°C for fryseafdelingen.

Når der trykkes på knappen for temperatur i køle- eller fryseafdelingen, skiftes der mellem temperaturindstillingerne i celsius (°C).

#### VIGTIGT:

- Vent 24 timer, inden der anbringes madvarer i køle-/fryseskabet. Hvis der lægges madvarer i køle-/fryseskabet, inden det er helt koldt, kan madvarerne blive ødelagt.  
**BEMÆRK:** Indstilling til en koldere temperatur end den anbefalede vil ikke give en hurtigere nedkøling.
- Hvis temperaturen er for høj eller for lav i køle- eller fryseafdelingen, skal du kontrollere, om ventilationsåbningerne er blokerede, før du ændrer indstillingerne.
- De anbefalede indstillinger skulle være passende til normal husholdningsbrug. Betjeningsknapperne er indstillet korrekt, når mælk eller juice har den ønskede temperatur, og fløede is er stiv.  
**BEMÆRK:** Områder som for eksempel en garage, kælder eller veranda kan have højere luftfugtighed eller ekstreme temperaturer. Det kan blive nødvendigt at justere temperaturen til en anden end den anbefalede for at tage højde for disse tilstande.
- Vent mindst 24 timer mellem justeringer. Kontroller temperaturerne igen, inden du justerer den igen.

### 6<sup>th</sup> Sense Fresh Lock og Freeze

Sensoren 6<sup>th</sup> SENSE Fresh Lock sørger for præcis og ensartet temperaturstyring, så friske madvarer opbevares i længere tid på den mest naturlige måde. Når en temperaturvariation registreres, aktiverer sensoren en kompressor, der hurtigt genopretter den originale temperatur.

Sensoren 6<sup>th</sup> SENSE Freeze reducerer temperaturudsving i fryseafdelingen til et minimum takket være et nyskabende temperaturstyringssystem. Frostskafer reduceres, så madvarernes kvalitet og farve bevares.

### Flexi Freeze-indstilling (kun med WQ9 B1L, 6WM591NIHAS og WQ70900SXX)

Funktionen Flexi Freeze gør det muligt at skifte mellem forudindstillede temperaturer for Flexi Freeze-afdelingen.

Symbol	Funktion	Temperatur
	Traditionel frysertemperatur	-18°C
	Middel frysertemperatur	-12°C
	Mild frysertemperatur	-7°C

\* For at aktivere/deaktivere den koldeste indstilling (-20°C) skal du trykke på knappen for forudindstillede Flexi Freeze-temperaturer i 3 sekunder.

### Justering af multitemperaturindstilling



- Traditionel frysertemperatur (-18°C): Allerede indfrosne madvarer og friske madvarer (maks. 12 måneder)
- Middel frysertemperatur (-12°C): Allerede indfrosne madvarer (maks. 1 måned)
- Mild frysertemperatur (-7°C): Allerede indfrosne madvarer (maks. 1 uge)

Brug nedenstående skema som en vejledning, når indstillede temperaturværdier justeres:

TILSTAND	REGULERING AF TEMPERATUREN
Køleafdelingen er for kold	Indstilling for køleafdeling 1° højere
Køleafdelingen er for varm	Indstilling for køleafdeling 1° lavere
Fryseafdelingen er for kold	Indstilling for fryseafdeling 1° højere
Fryseafdelingen er for varm/for lidt is	Indstilling for fryseafdeling 1° lavere



### Fast Cool

Funktionen Fast Cool hjælper i perioder med stor brug af køleafdelingen, overfyldning af madvarer eller midlertidige varme rumtemperaturer.

- Funktionen Fast Cool aktiveres ved at trykke på knappen for temperatur i køleafdelingen  i 3 sekunder. Når funktionen aktiveres, lyser ikonet for Fast Cool. Funktionen Fast Cool forbliver aktiv i 2 timer, medmindre den deaktiveres manuelt.
- Funktionen Fast Cool deaktiveres manuelt ved at trykke på knappen for temperatur i køleafdelingen og holde den nede  i 3 sekunder. Ikonet for Fast Cool er slukket, når funktionen ikke er aktiveret.
- Hvis temperaturen i køleafdelingen justeres, deaktiveres funktionen Fast Cool automatisk.

### Fast Freeze

Mængden af friske madvarer (i kg), der kan indfrys på 24 timer, er angivet på typepladen.

- Tryk på knappen for temperatur i fryseafdelingen  i 3 sekunder (indtil indikatoren for Fast Freeze tænder) 24 timer før, der anbringes friske madvarer i fryseafdelingen. Når der anbringes friske madvarer i fryseafdelingen, er 24 timer med funktionen Fast Freeze normalt tilstrækkeligt. Funktionen deaktiveres automatisk efter 50 timer.
- Funktionen Fast Freeze deaktiveres manuelt ved at trykke på knappen for temperatur i fryseafdelingen og holde den nede  i 3 sekunder. Ikonet for Fast Freeze slukker.
- Hvis frysertemperaturen justeres, deaktiveres funktionen Fast Freeze automatisk.

### Funktionen Ferie

Denne funktion er beregnet til at undgå, at dit apparat bruger unødvendig energi i perioder, hvor det ikke bruges normalt (som for eksempel når du er på ferie).

Når denne funktion vælges, bliver temperaturen i køleafdelingen automatisk sat til den varmeste indstilling.

- Funktionen Ferie bruges ved at trykke på knappen Ferie, indtil indikatoren for funktionen Ferie lyser på displayet.
- Funktionen Ferie afsluttes ved at trykke på knappen Ferie, indtil der ikke lyser et funktionsikon på displayet.
- Hvis temperaturen i køleafdelingen justeres, deaktiveres funktionen Ferie automatisk.

**VIGTIGT: Hvis denne funktion er valgt, skal alle mad- og drikkevarer fjernes fra køleafdelingen.**

### Lyd TIL/FRA

Tryk på knappen for at aktivere/deaktivere lyd.

### Tastelås

- Tryk på og hold knappen Lås nede i 3 sekunder for at aktivere låsefunktionen.
- Låsen deaktiveres ved at trykke på knappen Lås og holde den nede i 3 sekunder.

Låsefunktionen vil ignorere al betjening af kontrolpanelet, indtil brugeren låser kontrolpanelet op. Denne funktion forhindrer utilsigtede ændringer af indstillinger.

### Demo-funktion (kun med WQ9 B1L, 6WM591NIHAS og WQ70900SXX)


Denne funktion bruges, når apparatet udstilles hos forhandleren, eller hvis du vil slukke for afkøling og deaktivere alle andre funktioner (undtagen den indvendige belysning).

Demo-funktionen kan bruges, når du skal på ferie i længere tid. Se de korrekte trin for anbringelse af apparatet i denne funktion i længere perioder i afsnittet "Ferie og flytning".

- Hvis du aktiverer Demo-funktionen, lyser ikonet for Demo-funktion på displayet.
- Demo-funktionen aktiveres og deaktiveres ved at trykke samtidigt på knappen Lyd til eller fra og knappen Lås i 3 sekunder.

### Andre funktioner

#### Alarm for åben dør

- Alarmen for åben dør afgiver et lydsignal, og ikonet "Dør åben" blinker , når en af de fire døre har stået åbne i 2 minutter eller mere.
- Lydsignalet gentages hver 5. minut. Deaktiver lydsignalet ved at lukke dørene.

**BEMÆRK:** Lydsignalet kan desuden deaktiveres, mens dørene er åbne under for eksempel rengøring af apparatet ved at røre ved en knap på kontrolpanelet. Lydsignalet deaktiveres midlertidigt, men ikonet Dør åben bliver fortsat vist på kontrolpanelet.

### Belysning i køleafdelingen

Køleafdelingen har en indvendig lampe, der tænder, hver gang døren åbnes.

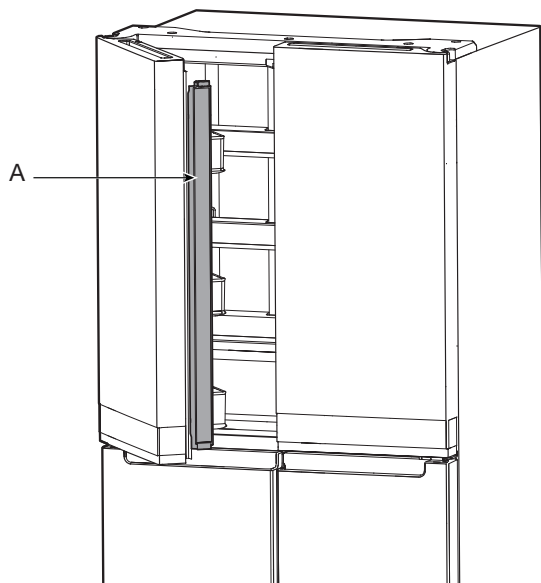
**BEMÆRK:** Lampen er et LED-lys, der ikke skal udskiftes. Hvis LED-lampen ikke tænder, når døren åbnes, tilkaldes Service for at få lampen udskiftet.

# BRUG AF KØLE-/FRYSESKABET

## Åbning og lukning af døre

Der er to køleafdelingsdøre. Dørene kan åbnes og lukkes separat eller sammen. Der er en vertikalt monteret tætningsliste på den venstre køleafdelingsdør.

- Når døren i venstre side åbnes, foldes den monterede tætningsliste automatisk indad, så den ikke er i vejen.
- Når begge døre er lukkede, danner den monterede tætningsliste automatisk en forsegling mellem de to døre.

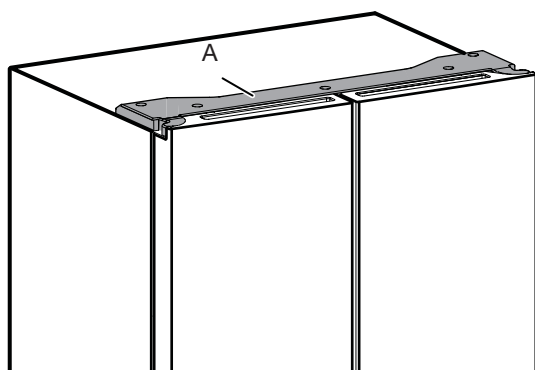


A. Monteret tætningsliste

Køleafdelingens dør har to kontakter, én øverst i venstre side og én øverst i højre side.

- Fryseafdelingens og multitemperaturzonens dørkontakt befinder sig i den nederste vinduessprosse.
- Dørkontakten bruger en magnet til at registrere døråbning/-lukning.
- Sørg for, at der ikke befinder sig magneter eller elektronisk udstyr (højttalere, Coolvox® osv.) mindre end 7,62 cm fra hængseldækslet.

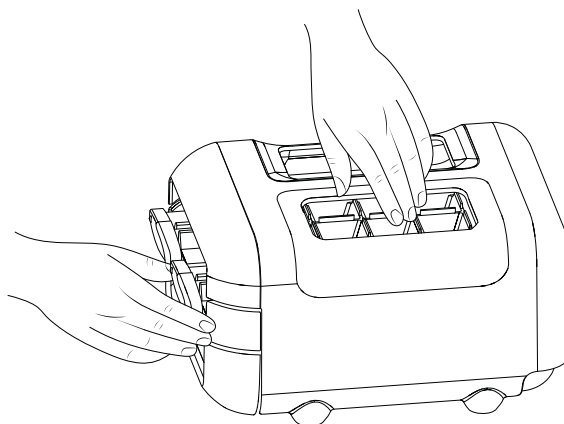
**BEMÆRK:** Lyset tænder ikke, hvis døråbningen ikke registreres.



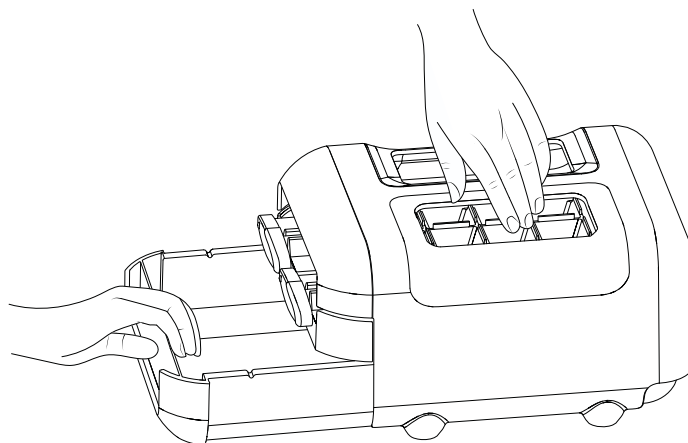
A. Hængseldæksel

## Ismaskine

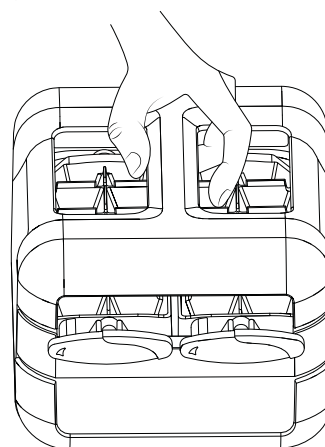
- For at lave is skal isbakken fyldes med rent vand, hvorefter den manuelle ismaskine anbringes på fryseafdelingens øverste hylde. Lad der gå tilstrækkelig tid til, at isen er færdig, og drej derefter håndtagene med uret, så isterningerne kommer ind i isbeholderen.



- Løft isbeholderen lidt, og træk den ud, så der bliver adgang til isterningerne.



Den manuelle ismaskineenhed kan tages ud af fryseafdelingen, når der ikke er brug for is, så der bliver mere plads i fryseafdelingen.



## Opbevaring af madvarer

### Opbevaring af æg

Det anbefales at opbevare æg ved en konstant temperatur, så de bevarer deres friskhed. De opbevares bedst på den midterste hylde i køleafdelingen.

# HYLDER, DØRHYLDER OG SKUFFER

## Vigtig information om glashylder og -låg:

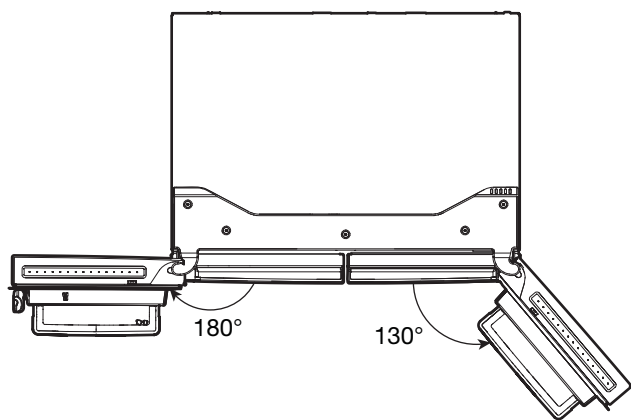
Glashylder og -låg må ikke rengøres med varmt vand, når de er kolde. Pludselige temperaturudsving og stød eller bump kan få dem til at gå i stykker.

Hærdet glas splintres i mange små stykker på størrølse med små sten. Det er helt normalt. Glashylder og -låg er tunge. Brug begge hænder, når de skal flyttes, så du ikke taber dem.

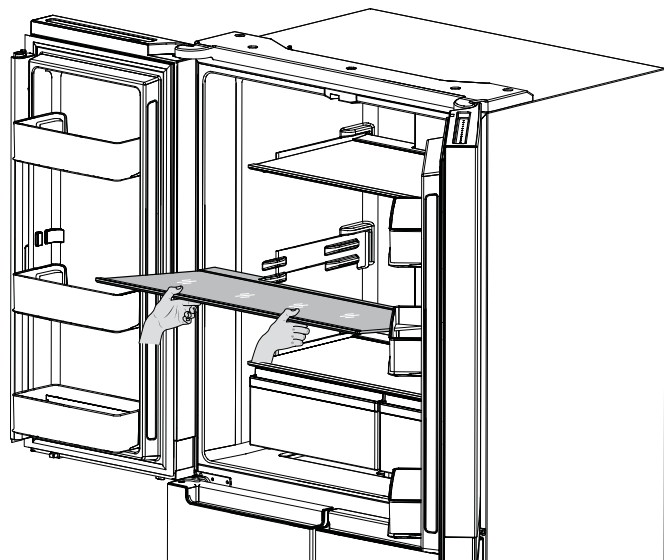
## Justering af hyldehøjde

Hyldehøjden kan justeres ved at ændre hyldens placering fra den nederste holder til den øverste holder og omvendt.

- Åbn døren i højre side helt.
- Åbn døren i venstre side helt, og løft derefter døren, så den åbner 180°.



- Tag hylde ud af køleafdelingen, og anbring den i den ønskede monteringsposition.



- Sørg for, at hylde er korrekt placeret på hylde monteringerne.

## Hylde og hyldeammer

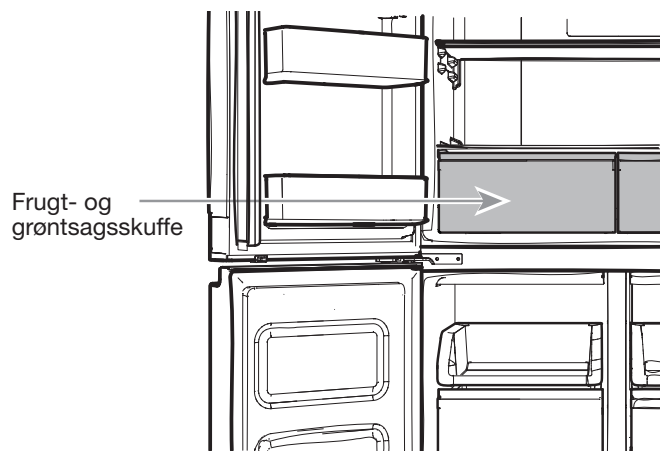
Hyldeerne i køleafdelingen er justerbare, så de kan opfylde dine opbevaringsbehov.

Opbevaring sammen af ens madvarer i køleafdelingen og justering af hyldeerne, så der kan anbringes madvarer med forskellige højder, gør det lettere at finde lige den madvare, du ønsker. Det reducerer også den tid, køleafdelingens dør står åben og sparer energi.

## Fjernelse og montering af hylde:

1. Åbn døren i højre side helt, og åbn døren i venstre side helt, og løft den venstre dør, så den åbner 180°.
2. Fjern den midterste hylde eller den øverste hylde ved at løfte den op og ud af hyldeholderne. Træk derefter hylde fremad, og tip den nedad til en lodret position. Drej hylde til en passende vinkel, og træk den ud af køleafdelingen.
3. Fjern den nederste hylde ved at løfte den op og ud af hyldeholderne. Træk derefter hylde fremad, og tip den opad til en lodret position. Drej hylde til en passende vinkel, og træk den ud af køleafdelingen.
4. Sæt den midterste og den øverste hylde på plads igen ved at sætte hylde ind i køleafdelingen i en passende vinkel med hyldens forreste del nedad. Løft hyldens forreste del op, og skyd den ind, indtil hyldens bagside falder ind i hyldeholderne. Sænk hyldens forreste del, og sørg for, at hylde sidder korrekt.
5. Sæt den nederste hylde på plads igen ved at sætte hylde ind i køleafdelingen i en passende vinkel med hyldens forreste del opad. Løft hyldens forreste del, og skyd den ind, indtil hyldens bagside falder ind i hyldeholderne. Sænk hyldens forreste del, og sørg for, at hylde sidder korrekt.

## Frugt- og grøntsagsskuffer

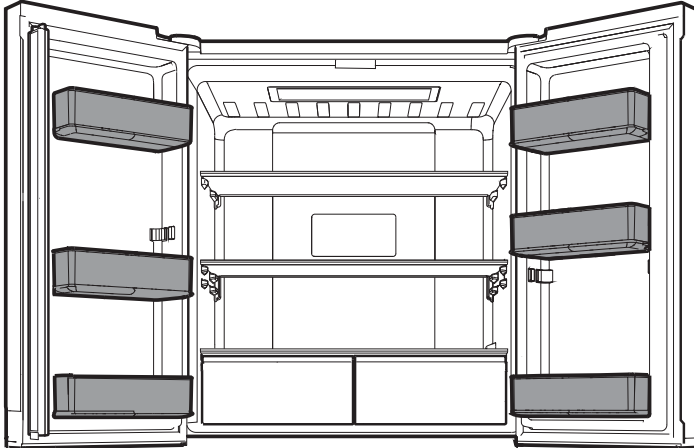


## For at fjerne skufferne og sætte dem på plads igen:

1. Grib fat i frugt- og grøntsagsskuffens håndtag, og skyd skuffen lige ud til stoppet. Løft frugt- og grøntsagsskuffen af den nederste skinne.
2. Sæt frugt- og grøntsagsskuffen på plads igen ved at anbringe den på den nederste skuffeskinne og skubbe den på plads forbi skuffestopet.

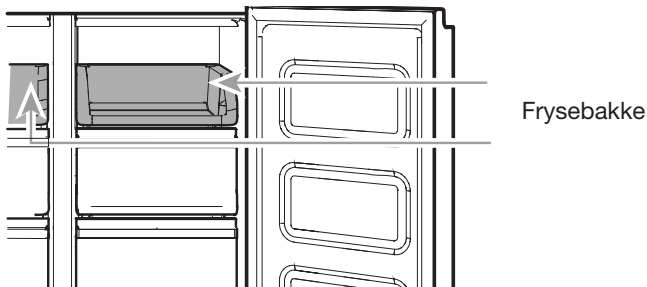
## Køleafdelingens dørhylder

Køleafdelingens dørhylder er justerbare, så de kan opfylde dine opbevaringsbehov.



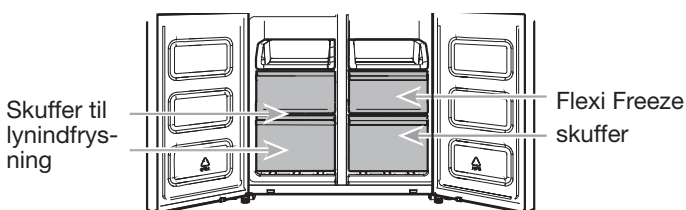
## Fryseafdelingens opbevaringsrum

### Frysebakke



Frysebakken er velegnet til at få let adgang til produkter, der bruges ofte, til indfrysning og opbevaring af madrester eller små madvarer.

### Fryseafdelingens skuffer



### Afdeling til lynindfrysning (Fast Freeze)

- I skufferne til lynindfrysning kan du opbevare store stykker madvarer.
- Fast Freeze-funktionen giver dig mulighed for at opbevare alle dine frosne madvarer sikkert og synligt.

### Afdeling til fleksibel indfrysning (Flexi Freeze) (kun med WQ9 B1L, 6WM591NIHAS og WQ70900SXX)

Afdelingen til fleksibel indfrysning giver dig mulighed for at vælge et ud af tre temperaturniveauer:  $-7^{\circ}\text{C}$ ,  $-12^{\circ}\text{C}$  og  $-18^{\circ}\text{C}$  for at give de bedste betingelser for opbevaring for forskellige typer af madvarer.

For at få maksimal indfrysningskapacitet kan fryseskuffen fjernes, så hele fryserhylden kan anvendes.

### Fjernelse af den øverste skuffe:

1. Grib fat i skuffens håndtag, og skyd skuffen lige ud til stoppet. Løft skuffen af den nederste skinne.
2. Sæt skuffen på plads igen ved at anbringe den på den nederste skuffeskinne og skubbe den på plads forbi skuffestoppet.

### Fryserhylde (kun med WQ9 E1L og WQ9 B1L)

For at få maksimal indfrysningskapacitet kan den midterste skuffe fjernes, så hele fryserhylden under den kan anvendes. Du kan opbevare den øverste skuffe, og anbringe madvarer direkte oven på hylden.

## Lydreference

### Tonetildeling

Tonenavn	Eksempler på brug
Effekt slået til	Kølesystemet tændes, hver gang produktet tændes.
Tastetryk	Brugeren trykker på en gyldig knap.
Ugyldig (fejl)	Brugeren trykker samtidigt på to eller flere gyldige knapper. Nedtælling for knapper, der skal trykkes på og holdes nede, afbrudt.
Aktivering	Bekræftelse af aktivering af en funktion.
Deaktivering	Bekræftelse af deaktivering af en funktion.
Advarsel	Advarsel for åben dør.

Denne tabel er kun beregnet som en oversigt. Se detaljerede oplysninger i de tilsvarende afsnit. I tilfælde af uoverensstemmelse, gælder oplysningerne i de relevante afsnit.

## Tilbehør

Kontakt den forhandler, du købte køle-/fryseskabet af, for at bestille tilbehør.

## Assistance eller Service

Forsøg selv at rette fejlen ved hjælp af anvisningerne i afsnittet "Fejlfinding", inden du kontakter Service. På denne måde kan du måske spare udgifterne for service. Følg anvisningerne herunder, hvis du stadig har brug for hjælp.

### Reserve dele

Kontakt den forhandler, du købte køle-/fryseskabet af, for at få oplyst, hvor du kan købe originale reservedele.

### Garanti

Kontakt den forhandler, du købte køle-/fryseskabet af, for at få oplysninger om garantien.

**Opbevar denne brugervejledning og kvitteringen sammen til senere brug. Den originale kvittering eller installationsdato er påkrævet i forbindelse med service inden for garantien.**

Notér følgende oplysninger om dit apparat, hvis du får brug for Service. Modelnummeret og serienummeret. Disse oplysninger findes på mærkatens på køleafdelingens væg.

Forhandlerens navn \_\_\_\_\_

Serienummer \_\_\_\_\_

Adresse \_\_\_\_\_

Telefonnummer \_\_\_\_\_

Modelnummer \_\_\_\_\_

Købsdato \_\_\_\_\_



# VEDLIGEHOJDELSE AF KØLE-/FRYSESKABET

## Rengøring

### ⚠ ADVARSEL



#### Ekspløsiønsfare

Brug ikke brændbare rengøringsmidler.

I modsat fald er der risiko for død, eksplosion eller brand.

Alle køleafdelings, fryseafdelings og den fleksible indfrysningssafdelings sektioner (kun med WQ9 B1L, 6WM591NIHAS og WQ70900SXX) har automatisk afrimning. Alle afdelinger skal dog rengøres en gang om måneden for at undgå ubehagelige lugte. Tør straks spildte madvarer op.

### Udvendig rengøring

Se de specifikke oplysninger om udvendig rengøring af din model.

#### Stil 1 – Glat dør

**VIGTIGT:** Beskadigelse af glat finish pga. forkert brug af rengøringsprodukter eller brug af ikke-anbefalede rengøringsprodukter dækkes ikke af garantien. Skarpe eller stumpe instrumenter laver mærker i finishen.

BRUG	BRUG IKKE
✓ Blød, ren klud	<ul style="list-style-type: none"> <li>✗ Slibende klude</li> <li>✗ Køkkenrulle eller avispapir</li> <li>✗ Stålundssvampe</li> </ul>
✓ Varmt sæbevand med mildt rengøringsmiddel	<ul style="list-style-type: none"> <li>✗ Skurepulver eller -creme</li> <li>✗ Rengøringsmidler til vinduer</li> <li>✗ Ammoniak</li> <li>✗ Syreholdige eller eddikebaserede rengøringsmidler</li> <li>✗ Ovnrens</li> <li>✗ Brændbare væsker</li> </ul>

**BEMÆRK:** Køkkenrulle ridser og kan gøre dørens klare belægning mat. For at undgå risikoen for beskadigelse må der kun bruges bløde, rene klude til at polere og tørre dørene.

#### Stil 2 – Rustfrit stål

##### VIGTIGT:

- Brug kun anbefalede rengøringsmidler til rustfrit stål og klude. Beskadigelse af finish af rustfrit stål pga. forkert brug af rengøringsprodukter eller brug af ikke-anbefalede rengøringsprodukter dækkes ikke af garantien.
- Apparater af rustfrit stål må ikke udsættes for kaustiske eller ætsende elementer, som f.eks. miljøer med høj saltholdighed eller høj fugtighed. Beskadigelse forårsaget af disse elementer dækkes ikke af garantien.

BRUG	BRUG IKKE
✓ Blød, ren klud	<ul style="list-style-type: none"> <li>✗ Slibende klude</li> <li>✗ Køkkenrulle eller avispapir</li> <li>✗ Stålundssvampe</li> </ul>
✓ Varmt sæbevand med mildt rengøringsmiddel	<ul style="list-style-type: none"> <li>✗ Skurepulver eller -creme</li> <li>✗ Ammoniak</li> <li>✗ Citrusbaserede rengøringsmidler</li> <li>✗ Syreholdige eller eddikebaserede rengøringsmidler</li> <li>✗ Ovnrens</li> </ul>
✓ Stærk tilsmudsning må kun fjernes ved hjælp af et rengøringsmiddel beregnet til apparater af rustfrit stål. Kontakt den forhandler, du købte køle-/fryseskabet af, for at bestille rengøringsmidlet.	<ul style="list-style-type: none"> <li>✗ Rengøringsmidler til rustfrit stål må kun bruges på dele af rustfrit stål. Rengøringsmidler til rustfrit stål og pudsemidler må ikke komme i kontakt med dele af plast, som f.eks. pyntepaneldele, automatdæksler eller dørpakninger.</li> </ul>

#### Stil 3 – Rustfrit stål, der er modstandsdygtigt over for fingeraftryk

##### VIGTIGT:

- Apparater af rustfrit stål må ikke udsættes for kaustiske eller ætsende elementer, som f.eks. miljøer med høj saltholdighed eller høj fugtighed. Beskadigelse forårsaget af disse elementer dækkes ikke af garantien.

BRUG	BRUG IKKE
✓ Blød, ren klud	<ul style="list-style-type: none"> <li>✗ Slibende klude</li> <li>✗ Køkkenrulle eller avispapir</li> <li>✗ Stålundssvampe</li> </ul>
✓ Varmt sæbevand med mildt rengøringsmiddel	<ul style="list-style-type: none"> <li>✗ Skurepulver eller -creme</li> <li>✗ Rengøringsmidler til vinduer</li> <li>✗ Ammoniak</li> <li>✗ Syreholdige eller eddikebaserede rengøringsmidler</li> <li>✗ Ovnrens</li> <li>✗ Brændbare væsker</li> </ul>

##### BEMÆRK:

- Hvis midlerne ved et uheld kommer i kontakt med plastdele, skal de rengøres med en svamp og et mildt rengøringsmiddel opløst i varmt vand. Tør omhyggeligt efter med en blød klud.
- Flydende rengøringsmidler kan også være slibende. Mange flydende rengøringsmidler, der er beregnet til at være skånsomme på fliser og glatte overflader, kan alligevel beskadige rustfrit stål.
- Citronsyre misfarver rustfrit stål permanent.
- For at undgå at beskadige finishen på dit apparat af rustfrit stål:

##### Lad ikke nedenstående blive siddende på finishen:

- ✗ Sennep
- ✗ Citrusbaserede sovs
- ✗ Tomatsaft
- ✗ Citrusbaserede produkter
- ✗ Marinade

---

## Indvendig rengøring

---

1. Tag stikket ud af stikkontakten, eller afbryd strømforsyningen.
2. Rengør, skyl og tør udtagelige dele og de indvendige overflader omhyggeligt. Brug en ren svamp eller en blød klud fugtet med et mildt rengøringsmiddel opløst i varmt vand.  
**BEMÆRK:** Anvend ikke kraftige eller slibende rengøringsmidler, som f.eks. rengøringsmidler til vinduer, skurende rengøringsmidler, brændbare væsker, rengøringsvoks, koncentrerede rengøringsmidler, blegemidler eller rengøringsmidler, der indeholder petroleum, på plastdele, skabets indersider og dørtætninger eller pakninger.
3. Sæt stikket i stikkontakten igen, eller tænd for strømforsyningen.

---

## Rengøring af kondensatoren

---

Dette apparat har en kondensator på begge sider af køle-/fryseskabet. Det er helt normalt, at apparatets sider føles varme.

---

## Lamper

Lamperne i både køle- og fryseafdelingen er LED-lamper, der ikke skal udskiftes. Hvis lamperne ikke lyser, når døren åbnes, skal du kontakte den forhandler, du købte køle-/fryseskabet af.

---

## Ferie og flytning

---

---

### Ferier

---

**Hvis du vælger at lade køle-/fryseskabet være tændt, mens du er på ferie:**

1. Anvend letfordærlige madvarer, og frys andre madvarer.
2. Hvis apparatet har en automatisk ismaskine og er forbundet med vandforsyningen, skal der slukkes for vandforsyningen til apparatet. Der kan forekomme materiel skade, hvis der ikke slukkes for vandforsyningen.
3. Hvis du har en automatisk ismaskine, skal der slukkes for ismaskinen.
  - Tryk kontakten til positionen for Off (O) for ismaskinen i døren.
4. Tøm isbeholderen.

**Hvis du vælger at slukke for køle-/fryseapparatet, inden du rejser:**

**BEMÆRK:** Sæt apparatet i Demo-funktion, når du er på ferie. Se afsnittet "Brug af betjeningsknapperne".

1. Tøm apparatet for madvarer.
2. Hvis køle-/fryseskabet har en automatisk ismaskine:
  - Sluk for vandforsyningen til ismaskinen mindst 1 dag før.
  - Når den sidste is falder ud, trykkes kontakten til positionen for Fra (O), så displayet øverst inde i apparatet (afhængigt af model) slukker.
3. Tøm isbeholderen.
4. Sluk betjeningsknapperne for temperatur. Se afsnittet "Brug af betjeningsknapperne".
5. Rengør apparatet, tør efter, og lad det tørre helt.
6. Tape gummi- eller træblokke fast til toppen af begge døre for at holde dem åbne nok til, at der kan komme luft ind. Dette hindrer dannelse af lugt og mug.

---

## Flytning

---

Når du skal flytte apparatet til et nyt hjem, skal du følge nedenstående trin for at gøre det klart til flytningen.

1. Hvis køle-/fryseskabet har en automatisk ismaskine:
  - Sluk for vandforsyningen til ismaskinen mindst 1 dag før.
  - Tag vandforsyningsslangen på apparatets bagside af.
  - Når den sidste is falder ud, trykkes kontakten til positionen for Fra (O) på enten ismaskinen eller betjeningsknappen, afhængigt af modellen.
2. Tøm apparatet for madvarer, og pak alle frosne madvarer i tøris.
3. Tøm isbeholderen.
4. Tag stikket ud af stikkontakten.
5. Rengør, tør efter, og lad tørre helt.
6. Tag alle udtagelige dele ud, pak dem godt ind, og tape dem sammen, så de ikke falder omkring og larmer under flytningen.
7. Afhængigt af modellen hæves køle-/fryseskabets forside, så det ruller lettere, eller hæv nivelleringskruerne, så de ikke skraber mod gulvet. Se afsnittet "Justering af dørene" eller "Nivellering af køle-/fryseskabet og dørlukning".
8. Luk dørene fast med tape, og tape strømforsyningskablet fast til køle-/fryseskabets bagside.

Når du kommer til dit nye hjem, sætter du alting på plads igen. Se afsnittet "Opstillingsvejledning" angående anvisninger i klargøring. Hvis dit køle-/fryseskab har en automatisk ismaskine, skal du desuden huske at forbinde vandforsyningen til skabet.

# FEJLFINDING

Prøv først de løsninger, der foreslås her, måske er det ikke nødvendigt at kontakte Service.

## ⚠ ADVARSEL



### Risiko for elektrisk stød

Sæt stikket i en stikkontakt med jordforbindelse.

Fjern ikke jordforbindelsesstikket.

Brug ikke en adapter.

Brug ikke forlængerledninger.

Hvis anvisningerne ikke følges, kan det resultere i død, brand eller elektrisk stød.

Problem	Mulige årsager	Løsning
<b>Køle-/fryseskabets drift</b>		
Køle-/fryseskabet fungerer ikke.	Kontroller strømforsyningen.	Sæt strømforsyningskablet i en stikkontakt med jordforbindelse. Brug ikke forlængerledninger. Kontrollér, om der er strømtilførsel til stikkontakten. Forbind en lampe til stikkontakten for at se, om stikkontakten fungerer. Nulstil en aktiveret effektafbryder. Udskift eventuelle defekte sikringer. <b>BEMÆRK:</b> Kontakt en elektriker, hvis problemet fortsætter.
	Kontroller betjeningsknapperne.	Sørg for at betjeningsknapperne er tændte. Se afsnittet "Brug af betjeningsknapperne".
	Netop opstillet.	Efter opstillingen tager det 24 timer, inden apparatet er helt koldt. <b>BEMÆRK:</b> Justering af betjeningsknapperne for temperatur til den koldeste indstilling medfører ikke, at afdelingerne bliver hurtigere kolde.
	Køle-/fryseskabet er i Demo-funktion (på visse modeller).	Hvis køle-/fryseskabet er i Demo-funktion, er afkøling deaktiveret, og "Demo" lyser på kontrolpanelet. Se yderligere oplysninger i afsnittet "Brug af betjeningsknapperne".
Motoren synes at køre for meget.	Højeffektiv(e) kompressor og ventilatorer.	Store og mere effektive køle-/fryseskabe kører i længere tid ved lavere og mere strømbesparende hastigheder.
	Rumtemperaturen eller den udendørs temperatur er for varm.	Det er normalt, at køle-/fryseskabet kører i længere tid under disse forhold. For at få en optimal funktion skal køle-/fryseskabet opstilles i et temperaturstyret indemiljø. Se afsnittet "Krav til placeringsstedet".
	En større mængde varme madvarer er lagt i køle-/fryseskabet for kort tid siden.	Varme madvarer får køle-/fryseskabet til at køre i længere tid, indtil luften er afkølet til den ønskede temperatur.
	Døren(e) åbnes ofte eller står åbne i lang tid.	Varm luft, der trænger ind i køle-/fryseskabet, medfører, at det kører mere. Åbn dørene mindre hyppigt.
	Køleafdelingens dør eller fryseraskuffen er åben.	Sørg for, at køle-/fryseskabet er i vater. Se afsnittet "Nivellering af køle-/fryseskabet og dørlukning". Sørg for, at madvarer og beholdere ikke blokerer døren.
	Køleafdelingen er indstillet til en for kold temperatur.	Sæt temperaturen til en mindre kold indstilling, indtil temperaturen er som ønsket.
	Dør- eller skuffepakningen er snavset, slidt eller revnet.	Rengør eller udskift pakningen. Utætheder i dørpakningen medfører, at køle-/fryseskabet kører i længere tid for at opretholde de ønskede temperaturer.

# FEJLFINDING

Prøv først de løsninger, der foreslås her, måske er det ikke nødvendigt at kontakte Service.

Problem	Mulige årsager	Løsning
Lyset virker ikke.	Dit køle-/fryseskab har LED-lys, der ikke skal udskiftes.	Hvis der er strøm til køle-/fryseskabet, og lamperne ikke tænder, når døren eller skuffen åbnes, skal du kontakte Service.
	Dørene har været åbne i mere end 10 minutter.	Luk dørene og skuffen for at nulstille, og åbn igen for at aktivere belysning.
	Dørkontakten registrerer ikke døråbningen.	Sørg for, at der ikke befinder sig magneter eller elektronisk udstyr mindre end 7,62 cm fra hængselsdækslet.
Temperaturkontrolpanelet tænder ikke.	Temperaturkontrolpanelet er i standby.	Tryk på en af brugergrænsefladens knapper for at vække temperaturkontrolpanelet.
	Temperaturkontrolpanelets knapper fungerer ikke korrekt.	Prøv at slukke for køle-/fryseskabet og tænde for det igen, så knapperne nulstilles. Hvis problemet vedvarer, tilkaldes service eller assistance.
	Temperaturkontrolpanelet modtager ikke strøm.	Kontroller ledningsbundet ved dørhængslet.
Kan ikke justere indstilling på temperaturkontrolpanelet.	Døren er åben, og alarmeren for åben dør er aktiveret.	Luk døren.
<b>Usædvanlige lyde</b>		
Du kan lytte til køle-/fryseskabets normale lyde ved at gå til <a href="#">Produkt Hjælp</a> /Ofte stillede spørgsmål på varemærkets websted og søge på "normale lyde." Herunder er der anført nogle normale lyde og årsagen til dem.		
Apparatet støjer.	Kompressoren i dit nye køle-/fryseskab regulerer temperaturen mere effektivt, samtidigt med at det bruger mindre energi og støjer mindre.	På grund af denne reduktion i kendt driftsstøj kan du blive opmærksom på andre ukendte lyde, som er helt normale.
Kompressoren lyder længere end forventet.	Højeffektiv(e) kompressor og ventilatorer.	Store og mere effektive køle-/fryseskabe kører i længere tid ved lavere og mere strømbesparende hastigheder.
Vibrerende/snurrende	Ventilatorerne/kompressoren justerer for at optimere funktionen under normal kompressordrift.	Det er helt normalt.
Smældende	Sammentrækning/udvidelse af de indvendige vægge, specielt under den første afkøling.	Det er helt normalt.
Hvislende/dryppende	Flow af kølemiddel eller flow af olie i kompressoren.	Det er helt normalt.
Vibration	Køle-/fryseskabet er muligvis ikke i vater.	Juster nivelleringsskrueene, og sænk nivelleringsfoden, så den hviler på gulvet. Se afsnittet "Nivellering af køle-/fryseskabet og dørlukning".
Raslende/smækkende	Bevægelse af vandslangerne mod køle-/fryseskabets kabinet eller fra genstande, der er anbragt oven på apparatet.	Flyt overskydende vandslange væk fra køle-/fryseskabets kabinet, eller fastgør overskydende slanger til kabinettet. Se afsnittet "Tilslut vandforsyningen", eller flyt genstandene væk fra apparatets top.
Hvislende	Vand, der drypper på varmelegemet under afrimning.	Det er helt normalt.
Løbende/gurglende vand	Kan høres, når is smelter under afrimning, og vandet løber ind i beholderen til afrimningsvand.	Det er helt normalt.

# FEJLFINDING

Prøv først de løsninger, der foreslås her, måske er det ikke nødvendigt at kontakte Service.

Problem	Mulige årsager	Løsning
<b>Temperatur og fugt</b>		
Temperaturen er for høj.	Køle-/fryseskabet er lige blevet opstillet.	Efter opstillingen tager det 24 timer, inden apparatet er helt koldt.
	Betjeningsknapperne er ikke indstillet korrekt i forhold til de omgivende forhold.	Juster betjeningsknapperne til en koldere indstilling. Kontroller temperaturen om 24 timer. Se afsnittet "Brug af betjeningsknapperne".
	Døren(e) åbnes ofte, eller lukker ikke helt. Varm luft trænger derfor ind i køle-/fryseskabet.	Åbn dørene mindre hyppigt, og hold dørene helt lukket.
	En større mængde madvarer er lagt i køle-/fryseskabet for nylig.	Vent i adskillige timer, til køle-/fryseafdelingen vender tilbage til normal temperatur.
	Demo-funktion er aktiveret.	Deaktiver Demo-funktionen. Se afsnittet "Brug af betjeningsknapperne".
	Funktionen Ferie er aktiveret.	Deaktiver funktionen Ferie. Se afsnittet "Brug af betjeningsknapperne".
Temperaturen er for kold i køleafdelingen/frugt- og grøntsagsskuffen.	Køleafdelingens ventilationsrist(e) er blokeret.	Hvis ventilationsristen midt i køleafdelingens bagvæg blokeres af madvarer, der placeres lige foran den, bliver køleafdelingen for kold. Flyt madvarerne væk fra ventilationsristen.
	Betjeningsknapperne er ikke indstillet korrekt i forhold til de omgivende forhold.	Juster betjeningsknapperne til en varmere indstilling. Kontroller temperaturen om 24 timer. Se afsnittet "Brug af betjeningsknapperne".
	Isbeholderen er ikke i den korrekte position.	Se afsnittet "Ismaskine og isbeholder".
Temperaturen er for kold i den temperaturstyrede skuffe.	Betjeningsknappen er ikke indstillet korrekt for de madvarer, der opbevares i skuffen.	Juster temperaturindstillingen. Se "Brug af betjeningsknapperne" i afsnittet "Brug af køleafdelingen".
Der er fugtakkumulering. <b>BEMÆRK:</b> Lidt fugt er helt normalt.	Rummet er fugtigt.	Fugtige omgivelser medvirker til akkumulering af fugt.
	Døren(e) åbnes ofte, eller lukker ikke helt. Fugtig luft trænger derfor ind i køleafdelingen.	Åbn dørene mindre hyppigt, og hold dørene helt lukket.
	Døren(e) er blokeret, så de(n) står åben.	Flyt madvarerne væk fra døren.
	En dørhylde eller hylde sidder i vejen.	Skub dørhylden eller hylden på plads.
	Opbevaring af væsker i åbne beholdere.	Dette øger fugtigheden inde i køleafdelingen. Hold alle beholdere tæt tildækket.
Der er ophobning af frost/is i fryseafdelingen.	Døren åbnes ofte eller er åben i lang tid.	Åbn døren mindre hyppigt, og luk skuffen helt efter brug.
	Døren har en dårlig dørpakning.	Kontroller, at dørpakningen er helt i kontakt med køleafdelingens kabinet, så der er en passende forsegling.
	Betjeningsknapperne for temperatur er ikke indstillet korrekt.	Se de anbefalede temperaturindstillinger i afsnittet "Brug af betjeningsknapperne".

# FEJLFINDING

Prøv først de løsninger, der foreslås her, måske er det ikke nødvendigt at kontakte Service.

**⚠ ADVARSEL**



**Eksplodingsfare**

**Brug ikke brændbare rengøringsmidler.**

**I modsat fald er der risiko for død, eksplosion eller brand.**

Du kan se en animation, der viser, hvordan døre justeres, under Produkthjælp/Ofte stillede spørgsmål på varemærkets websted og søge på "Dørlukning og Justering af døre."

Problem	Mulige årsager	Løsning
<b>Døre</b>		
Dørene lukker ikke helt.	Døren er blokeret, så den står åben.	Flyt madvarerne væk fra døren.
	En dørhylde eller hylde sidder i vejen.	Skub dørhylden eller hylde på plads.
	Monteret for nylig	Fjern alle forsendelsesmaterialer.
Det er vanskeligt at åbne døren.	Dørpakningerne er snavsede og klæber.	Rengør pakninger og kontaktoverflader med varmt, mildt sæbevand. Skyl og tør grundigt med en blød klud.
Dørene ser ikke ud til at være lige.	Dørene skal justeres, eller køle-/fryseskabet skal nivelleres.	Kontakt service, hvis dørene skal justeres.
Køle-/fryseskabet er ustabil, eller det ruller fremad, når dørene åbnes og lukkes.	Køle-/fryseskabets bremsefødder hviler ikke på gulvet.	Drej begge bremsefødder (én i hver side) lige meget mod uret, indtil de hviler på gulvet. Se afsnittet "Nivellering af køle-/fryseskabet og dørlukning".

# Innholdsfortegnelse

<b>KJØLESKAPETS SIKKERHET .....</b>	<b>248</b>
Riktig avfallshåndtering av det gamle kjøleskapet .....	251
<b>DELER OG FUNKSJONER .....</b>	<b>252</b>
<b>INSTALLASJONSINSTRUKSJONER .....</b>	<b>253</b>
Komme i gang .....	253
Pakke ut kjøleskapet .....	253
Krav til plassering .....	254
Strømkrav .....	254
Fjerne og sette på plass kjøleskapsdørene .....	256
Fjerne og sette på plass fryserdøren/Flexi Freeze-døren .....	258
Innjustering av kjøleskapet .....	259
Bruke kontrollene .....	260
Belysning på kjøleskapet .....	261
<b>BRUK AV KJØLESKAPET .....</b>	<b>262</b>
Åpne og lukke dører .....	262
Oppbevaring av mat .....	262
<b>HYLLER, BOKSER OG SKUFFER.....</b>	<b>263</b>
Fryserlagringsrom .....	264
Lydreferanse .....	264
Tilbehør .....	264
Hjelp eller service .....	264
<b>PLEIE AV KJØLESKAPET.....</b>	<b>265</b>
Rengjøring .....	265
Lys .....	266
Pleie ved ferie og flytting.....	266
<b>FEILSØKING.....</b>	<b>267</b>

# KJØLESKAPETS SIKKERHET

## Din egen og andres sikkerhet er svært viktig.

Vi har gitt mange viktige sikkerhetsadvarsler i denne håndboken og på selve apparatet. Les og overhold alle sikkerhetsmeldinger.



Dette er sikkerhetsvarslingssymbolet.

Dette symbolet varsler deg om potensielle faremomenter som kan drepe eller skade deg eller andre personer.

Alle sikkerhetsmeldinger vil følge sikkerhetsvarslingssymbolet og enten ordet "FARE" eller "ADVARSEL".

Disse ordene betyr:

 **FARE**

**Dersom du ikke følger instruksjonene umiddelbart, kan dette føre til dødsfall eller alvorlige skader.**

 **ADVARSEL**

**Dersom du ikke følger instruksjonene, kan dette føre til dødsfall eller alvorlige skader.**

Alle sikkerhetsmeldinger vil fortelle deg hva den potensielle faren er, fortelle deg hvordan du reduserer muligheten for personskade og fortelle deg hva som kan skje hvis instruksjonene ikke følges.



Les nøye gjennom disse sikkerhetsinstruksjonene før bruk av apparatet. Oppbevar dem i nærheten for fremtidig bruk. Disse anvisningene og selve apparatet gir viktige sikkerhetsadvarsler som skal overholdes til enhver tid. Produsenten frasier seg ethvert ansvar for manglende overholdelse av disse sikkerhetsinstruksjonene, for feil bruk av apparatet eller feil innstilling av kontrollinnretninger.

⚠ Svært små barn (0-3 år) skal holdes på avstand fra apparatet. Små barn (3-8 år) skal holdes på avstand fra apparatet, med mindre de overvåkes kontinuerlig. Barn fra 8 år og opp og personer med redusert fysisk, sensorisk eller mental kapasitet eller som mangler erfaring og kunnskap, kan bruke dette apparatet kun dersom de får tilsyn eller instruksjoner om sikker bruk og forstår hvilke farer det kan medføre. Barn må ikke leke med apparatet. Rengjøring og vedlikehold skal ikke gjennomføres av barn uten tilsyn.

### TILLATT BRUK

⚠ FORSIKTIG: Apparatet er ikke beregnet på å settes igang ved hjelp av en ekstern bryterenhet, slik som en timer eller et separat fjernkontrollsystem.

⚠ Dette apparatet er beregnet til bruk i husholdninger og lignende bruksområder, slik som: personalkjøkken i butikker, på kontorer eller i andre arbeidsmiljøer; bondegårder; av klienter på hoteller, moteller, pensjonater og andre bomiljøer.

⚠ Dette apparatet er ikke beregnet for profesjonell bruk. Ikke bruk apparatet utendørs.

⚠ Apparatet er beregnet til bruk på et sted der omgivelsestemperaturen er innenfor de følgende områdene i henhold til den klimatiske klassen som gis på typeskiltet. Apparatet fungerer kanskje ikke riktig hvis det står i lang tid utenfor det spesifiserte området.

Klimaklasse Amb. T. (°C)

SN: Fra 10 til 32 °C; N: Fra 16 til 32 °C

ST: Fra 16 til 38 °C; T: Fra 16 til 43 °C

⚠ Dette produktet inneholder ikke KFK-er. Kjølekretsen inneholder R600a (HC). Apparatet med isobutan (R600a): isobutan er en naturlig gass uten miljøpåvirkning, men den er antennelig. Se derfor til at kjølekretsrørene ikke er skadet, spesielt ved tømning av kjølekretsen.

⚠ ADVARSEL: Pass på så du ikke skader apparatets kjølekretsrør.

⚠ ADVARSEL: Ikke dekk til ventilasjonsåpningene i kjøleskapskroget eller den innebygde strukturen.

⚠ ADVARSEL: Ikke bruk andre mekaniske, elektriske eller kjemiske metoder enn de som er anbefalt av produsenten for å akselerere avisingsprosessen.

⚠ ADVARSEL: Ikke bruk eller plasser elektriske apparater inne i apparatets deler hvis de ikke er av en type som er uttrykkelig tillatt av produsenten.

⚠ ADVARSEL: Ismaskiner og/eller vanddispensere som ikke er direkte tilkoblet vannforsyningen, må fylles kun med drikkevann.

⚠ ADVARSEL: Automatiske ismaskiner og/eller vanddispensere må kobles til en vannforsyning som leverer kun drikkevann, med nettvanntrykk mellom 0,17 og 0,81 MPa (1,7 og 8,1 bar).

⚠ Ikke lagre eksplosive stoffer som spraybokser med antennelig drivgass i dette apparatet.

⚠ Ikke svelg innholdet (ikke giftig) fra ispakningene (leveres med noen modeller). Ikke spis isbiter eller saftis rett etter at de er tatt ut av fryseren, da de kan forårsake forfrysninger.

⚠ For produktet som er designet til å bruke et luftfilter inne i et tilgjengelig viftedeksel, må filteret alltid være i posisjon når kjøleskapet er i funksjon.

⚠ Ikke plasser glassbeholdere med væske i fryserdelen, da de kan knuses. Ikke forhindre viften (hvis inkludert) med matartikler. Etter plassering av maten kontroller at døren til delene lukker på riktig måte, spesielt fryserdøren.

⚠ Skadede pakninger må skiftes ut så snart som mulig.

⚠ Bruk kjøleskapsdelen kun til lagring av fersk mat og fryserdelen kun til lagring av frossen mat, frysing av mat og lagring av isbiter.

⚠ Unngå å oppbevare uinnpakket mat i direkte kontakt med innvendige overflater på kjøleskapet eller frysedelene. Apparatet skal ha spesielle deler (ferskmatdel, nullgradersboks osv.). Med mindre annet er spesifisert i det spesifikke heftet til produktet, kan de fjernes og likevel opprettholde tilsvarende ytelser.

### INSTALLASJON

⚠ Apparatet må håndteres og installeres av to eller flere personer - fare for skade. Bruk vernehansker for å pakke ut og installere – fare for å skjære seg.

⚠ Installasjon, inkludert vannforsyning (hvis noen) og elektriske tilkoblinger, samt reparasjoner, må utføres av en kvalifisert tekniker. Ikke reparer eller skift ut noen del av apparatet med mindre dette er spesifikt angitt i brukerhåndboken. Hold barn på avstand fra installasjonsstedet.

Etter utpakking av apparatet, se til at det ikke har blitt skadet i løpet av transporten. I tilfelle problemer ta kontakt med forhandleren eller nærmeste Aftersales-service. Etter installasjon må emballasjeavfall (plast, isopordeler osv.) oppbevares utilgjengelig for barn - risiko for kvelning. Apparatet skal kobles fra strømuttaket før noen installasjonsoperasjon - risiko for elektrisk støt. I løpet av installasjonen se til at apparatet ikke skader strømkabelen - risiko for brann eller elektrisk støt. Aktiver kun apparatet når installasjonen har blitt fullført.

⚠ Se til å ikke skade gulvene (f.eks. parketten) ved flytting av apparatet. Installer apparatet på et gulv eller støtte som er sterk nok til å tåle vekten og på en plass som er egnet for størrelse og bruk. Se til at apparatet ikke er i nærheten av en varmekilde og at de fire føttene er stabile og hviler på gulvet, ved å justere dem etter behov, og kontroller at apparatet er perfekt innjustert i henhold til et vater. Vent i minst to timer før du slår på apparatet, for å sikre at kjølekretsen er fullstendig effektiv.

⚠ For å garantere tilstrekkelig ventilasjon la det være en klaring på begge sider av og over apparatet. Avstanden mellom baksiden av apparatet og veggen bak apparatet skal være 50 mm, for å unngå tilgang til varme overflater. En reduksjon av denne klaringen vil øke energiforbruket til produktet.

⚠ ADVARSEL: For å unngå fare på grunn av ustabilitet må apparatet posisjoneres eller festes i samsvar med produsentens anvisninger. Det er forbudt å plassere kjøleskapet på en slik måte at metallslangen til gasskomfyren, gass- eller vannrør i metall, eller elektriske kabler er i kontakt med kjøleskapets bakvegg (kondensatorspole).

⚠ Hvis det er nødvendig å skifte ut dører, ta kontakt med teknisk hjelpesenter.

### **ELEKTRISKE ADVARSLER**

⚠ Det må være mulig å koble apparatet fra strømforsyningen ved å trekke det ut hvis pluggen er tilgjengelig, eller med en flerpolet bryter som er installert oppstrøms for uttaket i samsvar med kablingsreglene, og apparatet må være jordet i samsvar med elektriske standarder.

⚠ Ikke bruk skjøteledninger, multiuttak eller adaptere. De elektriske komponentene må ikke være tilgjengelig for brukeren etter installasjon. Ikke bruk apparatet når du er våt eller barfoot. Ikke bruk dette apparatet hvis det har en skadet strømlledning eller plugg, hvis det ikke fungerer riktig, eller hvis det har blitt skadet eller har falt i gulvet.

⚠ Hvis strømlledningen er skadet, må den skiftes ut med en identisk ledning av produsenten, serviceagenten eller lignende kvalifiserte personer for å unngå en fare - risiko for elektrisk støt.

⚠ ADVARSEL: Når du posisjonerer apparatet, se til at strømlledningen ikke er fastklemt eller skadet.


⚠ ADVARSEL: Ikke finn flere bærbar stikkontakter eller bærbar strømforsyninger i nærheten av apparatet.

### **RENGJØRING OG VEDLIKEHOLD**

⚠ ADVARSEL: Se til at apparatet er slått av og frakoblet strømforsyningen før utføring av en eventuell vedlikeholdsoperasjon; bruk aldri noe teamrengjøringsutstyr - risiko for elektrisk støt.

⚠ Ikke bruk skurende eller aggressive rengjøringsmidler som vindussprayer, skurende rengjøringsmidler, antennelige væsker, rengjøringsvoks, konsentrerte rengjøringsmidler, blekemidler eller rensmidler som inneholder bensinprodukter på plastdeler, interiør og dørføringer eller pakninger. Ikke bruk tørkepapir, skuresvamper eller andre aggressive rengjøringsprodukter.


### **KASTING AV EMBALLASJE**

Innpakningsmaterialet er 100 % resirkulerbart og er merket med resirkuleringssymbolet .

De ulike delene på pakningen må derfor kastes ansvarsfullt og i samsvar med lokale myndigheters forskrifter vedrørende avfallshåndtering.

### **KASTING AV HUSHOLDNINGSAPPARATER**

Dette apparatet er produsert med resirkulerbare eller gjenbrukbare materialer. Skal kastes i henhold til lokale avfallsforskrifter. For mer informasjon om behandling, gjenvinning og resirkulering av elektriske husholdningsapparater, ta kontakt med den lokale myndigheten, renholdsverket eller butikken der du kjøpte apparatet. Dette apparatet er merket i samsvar med EU-direktiv 2012/19/EU om elektrisk og elektronisk utstyrsavfall (WEEE). Ved å sikre at dette produktet avhendes på riktig måte, hjelper du til med å beskytte miljøet og menneskets helse mot negative konsekvenser.

Symbolet  på produktet eller på de medfølgende dokumentene, angir at det ikke skal behandles som husholdningsavfall, men skal leveres til et innsamlingspunkt for resirkulering av elektriske og elektroniske innretninger.

### **ENERGISPARETIPS**

Installer apparatet i et tørt, godt ventilert rom langt borte fra enhver varmekilde (f.eks. radiator, komfyr osv.) og på en plass som ikke utsettes for direkte sollys. Bruk en isolasjonsplate ved behov.

For å garantere tilstrekkelig ventilasjon følg installasjonsinstruksjonene. Utilstrekkelig ventilasjon på baksiden av produktet øker energiforbruket og reduserer kjøleeffekten.

Hyppig døråpning kan forårsake en økning i energiforbruket. Den innvendige temperaturen til apparatet og energiforbruket kan også påvirkes av omgivelsestemperaturen, samt plasseringen av apparatet. Temperaturinnstillingen skal ta hensyn til disse faktorene.

Reduser døråpningen til minimum.

Når du tiner frossen mat, plasser den i kjøleskapet. Den lave temperaturen i de frosne produktene kjøler ned maten i kjøleskapet. La varm mat og drikke kjøle seg ned før de plasseres i kjøleskapet.

Plasseringen av hyllene i kjøleskapet har ingen innvirkning på effektiv bruk av energi. Maten skal plasseres på hyllene på en slik måte at det sikres riktig luftsirkulasjon (matvarer skal ikke berøre hverandre og avstanden mellom mat og bakvegg skal overholdes).

Du kan øke lagringskapasiteten til frossen mat ved å fjerne kurvene og Stop Frost-hyllen, hvis denne finnes.

Ikke bry deg om støy som kommer fra kompressoren, da de er beskrevet som normale lyder i hurtigguiden til dette produktet.



## Riktig avfallshåndtering av det gamle kjøleskapet

### **⚠ ADVARSEL**

#### **Kvelningsfare**

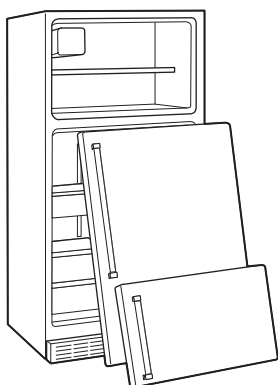
**Fjern dører fra det gamle kjøleskapet.**

**Hvis dette ikke gjøres, kan det medføre død eller hjerneskade.**

**VIKTIG:** Det at barn blir innestengt og kveles er ikke problemer som hører fortiden til. Skrotede eller forlatte kjøleskap er fortsatt farlige – selv om de bare skal “stå der noen få dager”. Hvis du skal kvitte deg med det gamle kjøleskapet ditt, følg disse instruksjonene for å hjelpe til å unngå ulykker.

#### **Før du kaster ditt gamle kjøleskap eller fryser:**

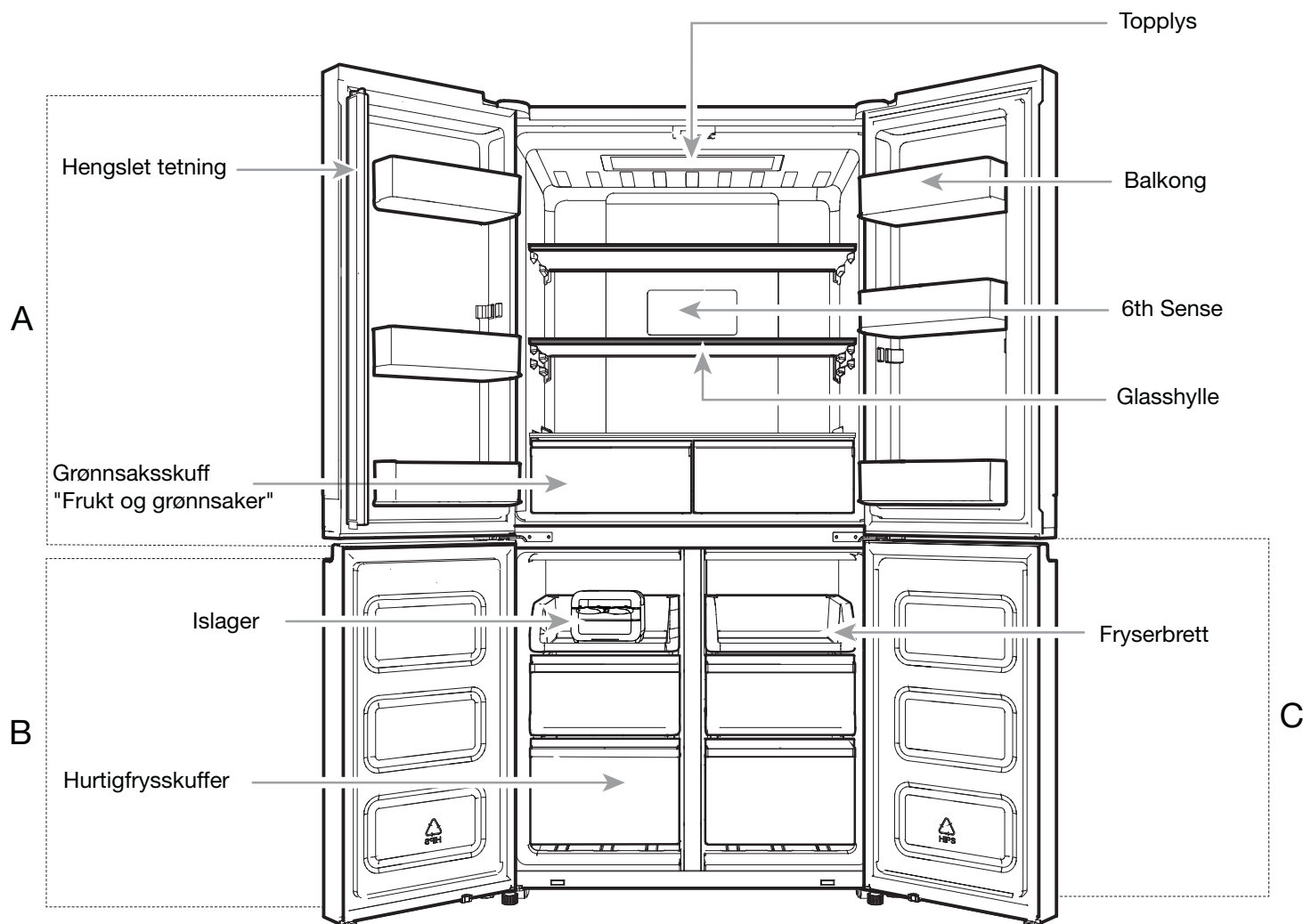
- Ta av dørene.
- La hyllene være på plass, slik at barn ikke enkelt kan klatre på innsiden.



#### **Viktig informasjon om avfallshåndtering av kjølemidler:**

Kjøleskapet skal avfallshåndteres i samsvar med nasjonale og lokale forskrifter. Kjølemidler må evakueres av en autorisert, kjølemiddeltekniker i samsvar med etablerte prosedyrer.

# DELER OG FUNKSJONER



- A . Kjøleskap
- B . Fryser
- C . Flexi Freeze (kun på WQ9 B1L, 6WM591NIHAS og WQ70900SXX)

# INSTALLASJONSINSTRUKSJONER

## Komme i gang

### SJEKKLISTE FOR INSTALLASJON

#### ✓ Elektrisk strøm

## ⚠ ADVARSEL



### Fare for elektrisk støt

Sett støpselet i en jordet stikkontakt.

Du må aldri fjerne jordpinnen.

Adapter skal ikke brukes.

Skjøteledning skal ikke brukes.

Hvis disse anvisningene ikke følges, kan det medføre død, brann eller elektrisk støt.

- Sett støpselet til kjøleskapet i en jordet stikkontakt.

#### ✓ Dører

- Hvis dørene må fjernes under installasjonen, se avsnittene "Fjern og sett på plass kjøleskapsdørene" og "Fjern og sett på plass fryserdørfrontene".
- Dørtetninger er fullstendige.
- Kjøleskapet står i vater. Juster nivelleringsføttene slik at de er tett mot gulvet.
- Dører er i vater på toppen. (Bruk dørinnjusteringsfunksjonen ved behov.)

#### ✓ Endelige kontroller

- Fjern alle forsendelsesmaterialer.
- Sett temperaturkontrollene på den anbefalte innstillingen.
- Ta vare på anvisningene og annen litteratur.
- For å motta en mer fullstendig hjelp registrer produktet ditt på [www.whirlpool.eu/register](http://www.whirlpool.eu/register).

## Pakke ut kjøleskapet

## ⚠ ADVARSEL

### Fare for høy vekt

Det kreves to eller flere personer til å flytte og installere kjøleskapet.

Hvis ikke, kan det medføre ryggskader eller andre skader.

### Levering av kjøleskapet

Minimum døråpning på 838 mm (33") er nødvendig. Hvis døråpningen 914 mm (36") eller mindre, må du fjerne dører, skuffer og hengsler.

Transporter kjøleskapet fra siden for alle døråpninger.

### Når du flytter kjøleskapet:

Kjøleskapet er tungt. Når du flytter kjøleskapet for rengjøring eller service, se til å dekke til gulvet med papp eller harde underlag for å unngå gulvskade. Trekk alltid kjøleskapet rett ut når du flytter det. Ikke rugg eller "gå" med kjøleskapet når du prøver å flytte det, da dette kan forårsake gulvskade.

### Fjern pakningen

- Fjern tape- og limrester fra overflatene før du slår på kjøleskapet. Gni en liten mengde flytende oppvaskmiddel over limet med fingrene. Tørk av med varmt vann og tørk.
- Ikke bruk skarpe instrumenter, rensealkohol, antenkelige væsker eller skurende rengjøringsmidler for å fjerne tape eller lim. Disse produktene kan skade overflaten på kjøleskapet.
- Kast/resirkuler alle pakningsmaterialer.

### Rengjør før bruk

Etter at du fjerner alle pakningsmaterialene, rengjør innsiden av kjøleskapet før bruk. Se rengjøringsanvisningene i avsnittet "Pleie av kjøleskapet".

### Viktig informasjon om glasshyller og deksler:

Ikke rengjør glasshyller eller deksler med varmt vann når de er kalde. Hyller og deksler kan knuses hvis de utsettes for plutselige temperaturendringer eller støt, slik som sammenstøt.

Temperert glass er designet til å knuses i mange små stykker på størrelse av småsteiner. Dette er normalt. Glasshyller og deksler er tunge. Bruk begge hender når du flytter dem for å unngå å miste dem.

## Krav til plassering

### ⚠ ADVARSEL



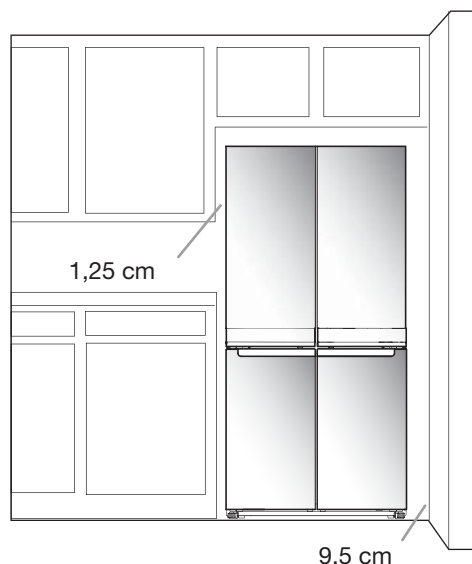
#### Eksplisjonsfare

Hold antenkelige materialer og damper, som bensin, på avstand fra kjøleskapet.

Hvis dette ikke gjøres, kan det medføre død, eksplosjon eller brann.

For å sikre riktig ventilasjon for kjøleskapet la det være 1,25 cm plass på hver side og på toppen. La det være 5 cm plass bak kjøleskapet. Hvis kjøleskapet har en ismaskin, la det finnes ekstra plass på baksiden for vannlinjetilkoblingene. Ved installering av kjøleskapet ved siden av en fast vegg, la det være en 9,5 cm minimal plass mellom kjøleskapet og veggen for at det skal være mulig å svinge opp døren for å åpne det.

**MERK:** Dette kjøleskapet er beregnet til bruk på et sted der temperaturen strekker seg fra et minimum på 10 °C til et maksimum på 43 °C. Det foretrukne området til romtemperaturen for optimal ytelse, som reduserer strømforbruket og gir overlegen kjøling, er mellom 15 °C og 32 °C. Det anbefales at du ikke installerer kjøleskapet i nærheten av en varmekilde, slik som en ovn eller en radiator.



## Strømkrav

### ⚠ ADVARSEL



#### Fare for elektrisk støt

Sett støpselet i en jordet stikkontakt.

Du må aldri fjerne jordpinnen.

Adapter skal ikke brukes.

Skjøteledning skal ikke brukes.

Hvis disse anvisningene ikke følges, kan det medføre død, brann eller elektrisk støt.

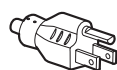
**VIKTIG:** Installasjon og en elektriske tilkoblingen må utføres av en kvalifisert tekniker i henhold til produsentens anvisninger og i samsvar med de lokale sikkerhetsforskriftene.

- Kjøleskapet er designet til å fungere på en separat 220-240 V, 10 A, 50/60 Hz krets.
- Se til at spenningen som er spesifisert på typeskiltet tilsvarer den for hjemmet.
- Det må være mulig å koble apparatet fra strømforsyningen ved å trekke det ut eller med en topols bryter som er installert oppstrøms for uttaket.
- Hvis forsyningsledningen er skadet, må den skiftes ut av produsenten, serviceagenten eller lignende kvalifiserte personer for å unngå en fare.

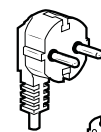
Før du flytter kjøleskapet til endelig plassering, er det viktig å sørge for at du har riktig elektrisk tilkobling.

#### Anbefalt jordingsmetode

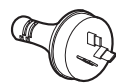
220-240 volt 50 Hz, 220 volt 60 Hz eller 230/240 volt 50 Hz AC kun 10 A sikret og jordet elektrisk forsyning kreves.



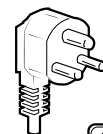
Type B



Type E og F



Type I



Type M



Type G

#### For Australia og New Zealand:

Det nye apparatet har blitt spesielt produsert for å oppfylle alle australske standarder og betingelser.

Noen merknader i installasjonsinstruksjonene kan henvise til elektriske krav i andre land, så vi kan trekke den spesielle oppmerksomheten til disse spesifikke merknadene.

Apparatet må plugges inn i et 230/240 volt, 50 Hz AC, kun 10 A jordet uttak.

---

## Strømkrav (Storbritannia og Nord-Irland)

---

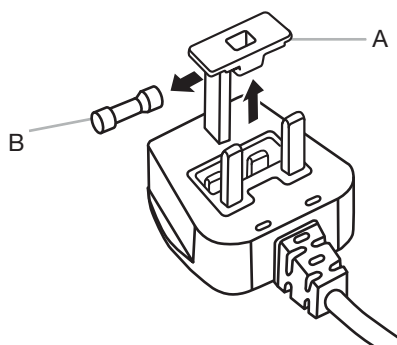
**VIKTIG:** Kjøleskapet må jordes.

### Skifte av sikring

Hvis hovedledningen til dette kjøleskapet er montert med en BS1363A, 13 A sikret plugg, for å skifte ut en sikring i denne typen plugg, bruk en A.S.T.A.-godkjent sikring av typen BS 1362 og gå frem som følger:

1. Fjern sikringdekselet (A) og sikringen (B).
2. Monter en ny 13 A sikring i sikringsdekselet.
3. Sett inn både sikringen og dekselet i pluggen igjen.

**VIKTIG:** Sikringsdekselet må monteres ved utskiftning av en sikring. Hvis du mister sikringsdekselet, må pluggen ikke brukes inntil et riktig reservedeksel er montert. Et riktig reservedeksel identifiseres gjennom fargeinnlegget eller et farget ord som er integrert på basen av pluggen. Reservedeksler er tilgjengelige fra den lokale elektriske forhandleren.



A. Sikringsdeksel  
B. Sikring

### For Irland (kun):

Informasjonen som er gitt for Storbritannia vil ofte gjelde, men det brukes også en tredje type plugg og kontakt, 2-pins, sidejordnet type.

### Uttak/plugg (gyldig for begge land):

Hvis den monterte pluggen ikke er egnet for uttaket. Ta kontakt med ettersalgsservice for ytterligere anvisninger. Ikke gjør forsøk på å bytte pluggen selv. Denne prosedyren må utføres av en kvalifisert tekniker i henhold til produsentens anvisninger og aktuelle sikkerhetsstandarder.

---

## Temperatur

---

Kjøleskapet er beregnet til bruk på et sted der temperaturen er innenfor de følgende områdene i henhold til den klimatiske klassen som vises på typeskiltet. Kjøleskapet fungerer kanskje ikke riktig hvis det står i lang tid utenfor det spesifiserte området.

**MERK:** Det anbefales at du ikke installerer kjøleskapet i nærheten av en varmekilde, slik som en ovn eller en radiator.

Klimaklasse	Omg. T. (°C)	Omg. T. (°F)
SN	Fra 10 til 32	Fra 50 til 90
N	Fra 16 til 32	Fra 61 til 90
ST	Fra 16 til 38	Fra 61 til 100
T	Fra 16 til 43	Fra 61 til 110

## Fjerne og sette på plass kjøleskapsdørene

**MERK:** Mål bredden på døråpningen for å se om du trenger å fjerne kjøleskapsdørene eller ikke for å flytte kjøleskapet inn i hjemmet. Hvis det er nødvendig å fjerne dørene, se følgende anvisninger.

**VIKTIG:** Hvis kjøleskapet var installert tidligere og u flytter det ut av hjemmet, slå av kjøleskapskontrollen før du begynner å ta av dørene. Trekk ut støpselet til kjøleskapet eller koble fra strømmen. Fjern mat og justerbar dør eller oppbevaringsbeholdere fra dørene.

Hent de nødvendige verktøyene og les alle anvisningene før du fjerner dørene.

**NØDVENDIGE VERKTØY:** 6 mm skift nøkkel, 5 mm skift nøkkel og nr. 2 Phillips skrutrekker.



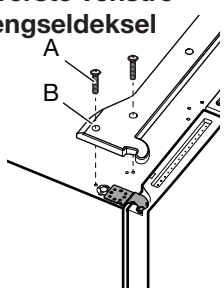
### ⚠ ADVARSEL

Fare for elektrisk støt

Koble fra strømmen før fjerning av dører.

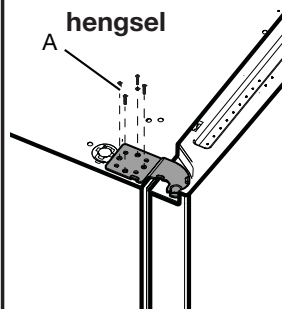
Hvis dette ikke gjøres, kan det medføre død eller elektrisk støt.

#### Øverste venstre hengseldeksel



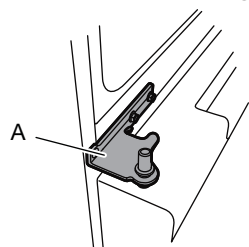
- A. Øverste hengseldekselskruer
- B. Øverste hengseldeksel

#### Øverste venstre hengsel



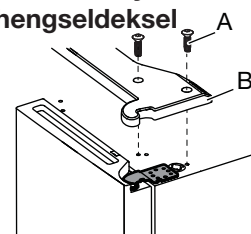
- A. 5 mm sokkelskruer

#### Midtre venstre hengsel



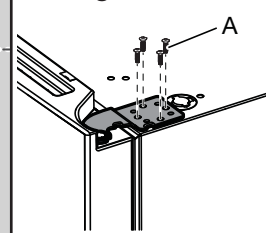
- A. Hengsel

#### Øverste høyre hengseldeksel



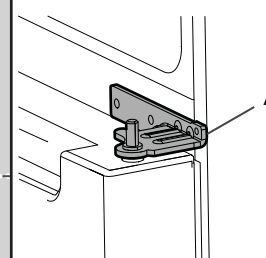
- A. Øverste hengseldekselskruer
- B. Øverste hengseldeksel

#### Øverste høyre hengsel



- A. 5 mm sokkelskruer

#### Midtre høyre hengsel



- A. Hengsel



## **⚠ ADVARSEL**

### Fare for høy vekt

Bruk to eller flere personer til å løfte kjøleskapet.  
Hvis ikke, kan det medføre ryggskader eller andre skader.

### Ta av kjøleskapsdører

## **⚠ ADVARSEL**



### Fare for elektrisk støt

Koble fra strømmen før fjerning av dører.

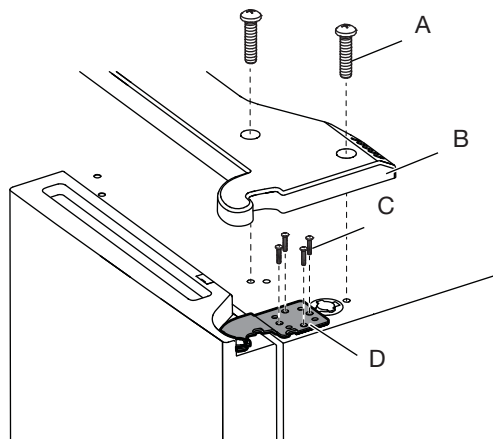
Hvis dette ikke gjøres, kan det medføre død eller elektrisk støt.

### Ta av høyre dør

1. Trekk ut støpselet til kjøleskapet eller koble fra strømmen.
2. Hold kjøleskapsdørene lukket inntil du er klar til å løfte dem av fra skapet.

**MERK:** Sørg for ekstra støtte for kjøleskapsdøren mens hengslene fjernes. Ikke stol på at dørpakkingsmagnetene holder døren på plass mens du jobber.

3. Bruk et Phillips skrujern for å fjerne dekselet fra den øverste hengselen.
4. Bruk 5 mm skiftenøkkel, fjern fire skruer fra topphengselen og legg dem til side.



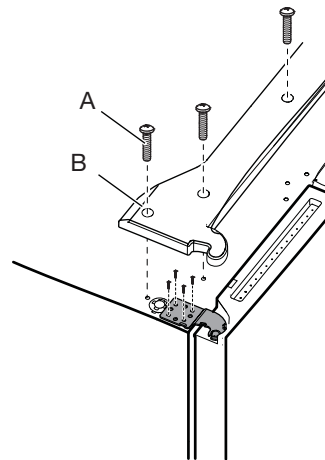
- A. Øverste hengseldekselskrue      C. 5 mm sokkelskruer  
B. Øverste hengseldeksel      D. Øverste hengsel

5. Løft kjøleskapsdøren fra den midterste hengselpinnen. Den øverste hengselen vil komme av med døren.

### Ta av venstre dør

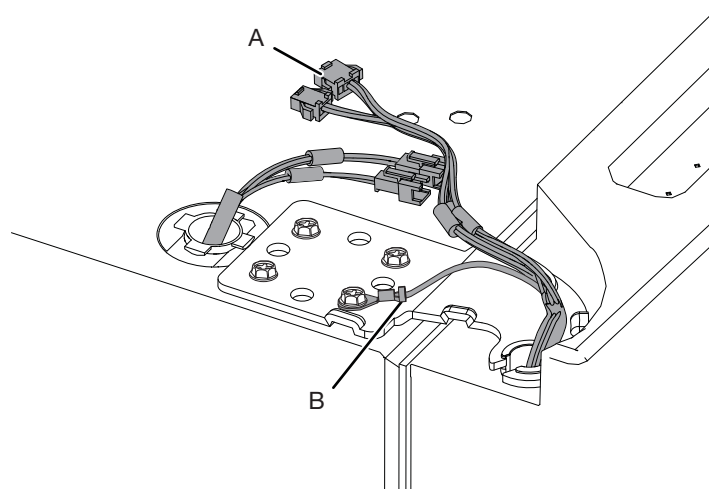
**VIKTIG:** Kablingen for brukergrensesnittet går gjennom går gjennom venstre dørhengsel, så det må kobles fra før døren fjernes.

1. Bruk et Phillips skrujern for å fjerne dekselet fra den øverste hengselen.



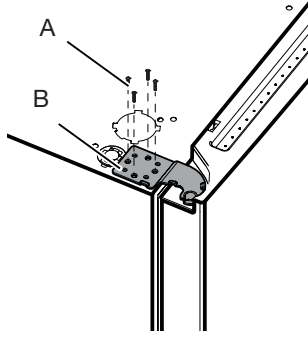
- A. Øverste hengseldekselskrue  
B. Øverste hengseldeksel

2. Koble fra de to kablingspluggene som finnes oppå dørhengselen.
  - Grip hver side av kablingspluggene. Med venstre tommel trykker du ned for å frigjøre låsen og trekker pluggdelene fra hverandre.



- A. Kablingsplugg  
B. Jordtilkobling

3. Bruk 5 mm skiftenøkkel, fjern fire innvendige skruer fra topphengselen og legg dem til side.



A. 5 mm sokkelskruer  
B. Tophengsel

**MERK:** Sørg for ekstra støtte for kjøleskapsdøren mens hengslene fjernes. Ikke stol på at dørpakningsmagnetene holder døren på plass mens du jobber.

4. Løft kjøleskapsdøren fra den nederste hengselinnen. Den øverste hengselen vil komme av med døren.

**MERK:** Det er kanskje ikke nødvendig å fjerne bunnhengslene og bremsefotenhetene for å flytte kjøleskapet gjennom en dør.

- Kun ved behov bruk 6 mm skiftenøkkel og nr. 2 Phillips skrutrekker for å fjerne midtre hengsel.

#### Sett på plass høyre kjøleskapsdør

1. Sett høyre dør på den midterste hengselinnen.
2. Sett inn den øverste hengselinnen i det åpne hullet øverst i kjøleskapsdøren.
3. Bruk fire 5 mm sokkelskruer, fest hengselet til kabinettet. Ikke stram skruene helt.

#### Sett på plass venstre kjøleskapsdør

1. Sett venstre dør på den midterste hengselinnen.
2. Bruk fire 5 mm sokkelskruer, fest hengselet til kabinettet. Ikke stram skruene helt.
3. Koble til de elektriske ledningene igjen.
  - Skyv sammen de to delene av kablingspluggen.
  - Koble til jordingskabelen til hengselskruen.

#### Endelige trinn

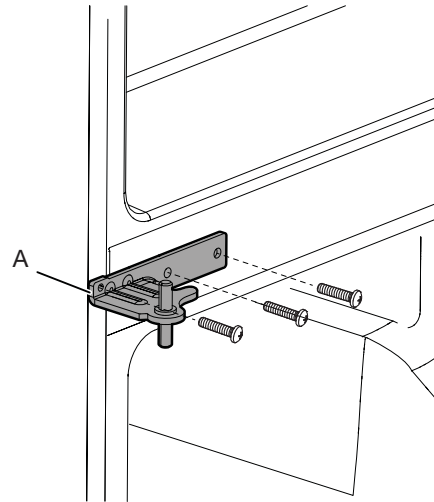
1. Stram til de åtte 5 mm sokkelskruene helt.
2. Sett på plass de øverste hengseldekslene.

## Fjerne og sette på plass fryserdøren/ Flexi Freeze-døren

1. Hold fryserdørene lukket inntil du er klar til å løfte dem av fra skapet.

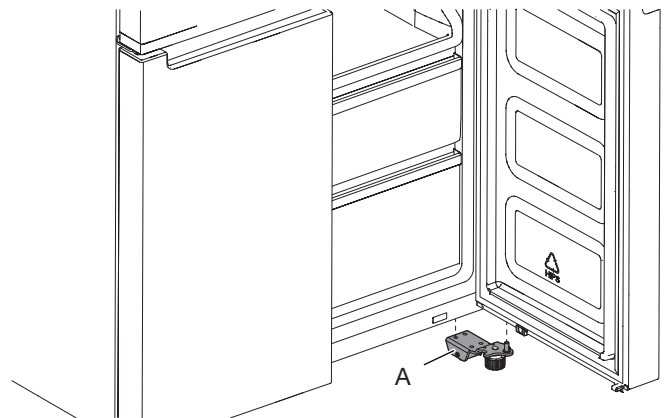
**MERK:** Sørg for ekstra støtte for fryserdøren mens hengslene fjernes. Ikke stol på at dørpakningsmagnetene holder døren på plass mens du jobber.

- Bruk en nr. 2 Phillips skrujern og 6 mm skiftenøkkel for å fjerne midtre hengsel fra kabinettet.



A. Midtre hengsel

- Løft fryserdøren fra den nederste hengselinnen.



A. Nedre hengsel

## **⚠ ADVARSEL**



### **Fare for elektrisk støt**

**Sett støpselet i en jordet stikkontakt.**

**Du må aldri fjerne jordpinnen.**

**Adapter skal ikke brukes.**

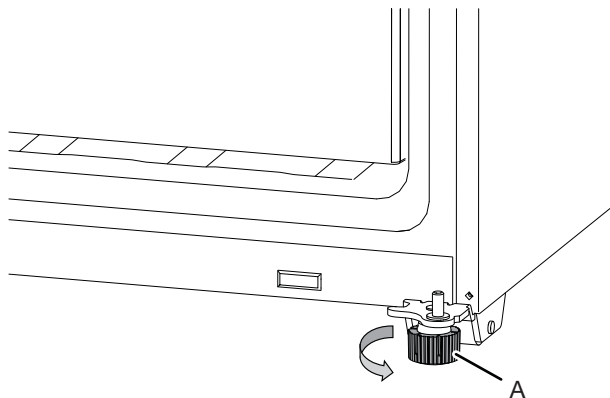
**Skjøteledning skal ikke brukes.**

**Hvis disse anvisningene ikke følges, kan det medføre død, brann eller elektrisk støt.**

1. Sett støpselet i en jordet stikkontakt.
2. Returner alle avtakbare deler og mat til skuffene.

## **Innjustering av kjøleskapet**

1. Flytt kjøleskapet til den endelige plasseringen.
2. Bruk hånden og roter bremseføttene. Skru dem mot klokka inntil rullene løftes fra gulvet og begge bremseføttene er tett mot gulvet. Dette forhindrer at kjøleskapet ruller fremover når du åpner dørene.



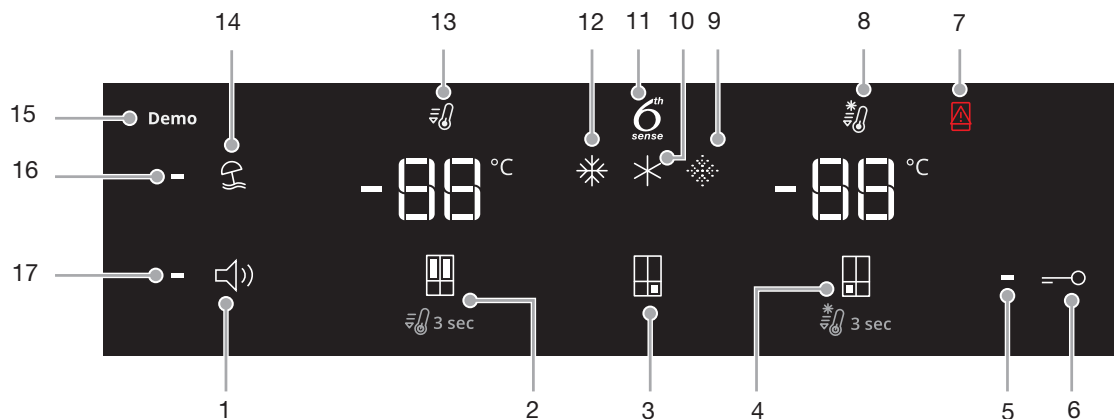
A. Bremseføtter

**VIKTIG:** Hvis du trenger å gjøre ytterligere justeringer som involverer bremseføttene, må du dreie begge bremseføttene like mye for å holde kjøleskapet i vater.

3. Bruk et vater for å sørge for at kjøleskapet står i vater side til side, og foran og bak.

## Bruke kontrollene

De berøringsaktiverede kontrollene befinner seg på venstre kjøleskapsdør. Kontrollpanelet inkluderer informasjon om ulike knapper og indikatorer. Kjøleskapets og fryserens temperaturindikator viser siste temperatursettpunkt.



1. Lyd PÅ/AV-knapp
2. Kjøleskapets temperaturknapp (hold 3 sek for Fast Cool)
3. Flexi Freeze forhåndsinnstilt temperaturknapp (kun på WQ9 B1L, 6WM591NIHAS og WQ70900SXX)
4. Frysertemperaturknapp (hold 3 sek for Fast Freeze)
5. Nøkkellåsindikator
6. Nøkkellåsknapp
7. Dør åpen-indikator
8. Hurtigfrysindikator
9. Soft Freeze-indikator (kun på WQ9 B1L, 6WM591NIHAS og WQ70900SXX)
10. Mid Freeze-indikator (kun på WQ9 B1L, 6WM591NIHAS og WQ70900SXX)
11. 6th Sense-indikator
12. Hard Freeze-indikator (kun på WQ9 B1L, 6WM591NIHAS og WQ70900SXX)
13. Fast Cool-indikator
14. Feriemodusknapp
15. Demomodusindikator (kun på WQ9 B1L, 6WM591NIHAS og WQ70900SXX)
16. Feriemodusindikator
17. Lydindikator

Kontrollpanelet vil slå seg av automatisk etter 1 minutt inaktivitet. For å slå på kontrollpanelet trykk hvilken som helst tast.

### - Vise og justere temperatursettpunktene

#### Justere kjøleskaps- og fryserdelens temperatur:

For din beileilighet er kjøleskaps- og fryserkontrollene forhåndsinnstilt ved fabrikkens.

Når du først installerer kjøleskapet, se til at kontrollene er stilt til de anbefalte settpunktene. De fabrikk anbefalte settpunktene er 3 °C for kjøleskapet og -18 °C for fryseren.

Trykk på kjøleskapets eller fryserens temperaturknapp vil bytte gjennom temperatursettpunktene i celsius (°C).

#### VIKTIG:

- Vent i 24 timer før du legger mat inn i kjøleskapet. Hvis du legger inn mat før kjøleskapet har kjølt seg helt ned, kan det hende at maten blir ødelagt.  
**MERK:** Justering av settpunktene til en kaldere innstilling enn det som er anbefalt, vil ikke kjøle ned kjølerommene noe hurtigere.
- Hvis temperaturen er for varm eller for kald i kjøleskapet eller fryseren, kontroller først luftventilene for å forsikre deg om at de ikke er blokkert før du justerer kontrollene.
- De anbefalte innstillingene skal være riktig for normal husholdningsbruk. Kontrollene er stilt riktig når melk eller juice er så kald som du liker deg og når iskrem er fast.  
**MERK:** Områder som garasje, kjeller eller terrasse kan ha høyere luftfuktighetsnivå eller ekstreme temperaturer. Du kan ha behov for å justere temperaturen bort fra de anbefalte innstillingene for å håndtere disse betingelsene.
- Vent i minst 24 timer mellom justeringene. Kontroller temperaturene på nytt før det gjøres noen andre justeringer.

### 6<sup>th</sup> Sense Fresh Lock og Freeze Control

6<sup>th</sup> SENSE Fresh Lock-sensoren sikrer presis og kontinuerlig temperaturkontroll for å bevare ferskmat lenger, på den mest naturlige måte. Når en temperaturvariasjon er oppdaget, aktiverer sensoren en kompressor som hurtig gjenoppretter den originale temperaturen.

6<sup>th</sup> SENSE Freeze-sensoren minimerer temperatursvingninger i fryseren takket være et innovativt administrasjonssystem. Fryserforbrenninger reduseres for å bevare kvalitet og farge på maten.

### Flexi Freeze-innstilling (kun på WQ9 B1L, 6WM591NIHAS og WQ70900SXX)

Flexi Freeze-funksjonen gjør at du kan bytte mellom forhåndsinnstilte temperaturer for Flexi Freeze-delen.

Symbol	Funksjon	Temperatur
	Tradisjonell fryser	-18 °C
	Mild fryser	-12 °C
	Myk fryser	-7 °C

\* For å aktivere/deaktivere den kjøligste innstillingen (-20 °C) trykk på Flexi Freeze forhåndsinnstilt temperaturknapp i 3 sekunder.

### Justere multitemperaturinnstillingen



- Tradisjonell fryser (-18 °C): Mat allerede frosset og fersk mat (maks 12 måneder)
- Mild fryser (-12 °C): Mat allerede frosset (maks 1 måned)
- Myk fryser (-7 °C): Mat allerede frosset (maks 1 uke)

Når du justerer temperatursettpunktene, bruk følgende oversikt som en veiledning:

TILSTAND	TEMPERATURJUSTERING
Kjøleskap for kaldt	Kjøleskapsinnstilling 1° høyere
Kjøleskap for varmt	Kjøleskapsinnstilling 1° lavere
Fryser for kald	Fryserinnstilling 1° høyere
Fryser for varm / for lite is	Fryserinnstilling 1° lavere



### Fast Cool

Fast Cool-funksjonen hjelper med perioder med stor bruk av kjøleskapet, fulle laster med dagligvarer eller midlertidig varme romtemperaturer.

- For å slå på Fast Cool-funksjonen trykk og hold nede kjøleskapets temperaturknapp  i 3 sekunder. Når funksjonen er aktivert, vil Fast Cool-ikonet tennes. Fast Cool-funksjonen vil være på i 2 timer med mindre den slås av manuelt.
- For å manuelt slå av Fast Cool-funksjonen trykk og hold nede kjøleskapets temperaturknapp  i 3 sekunder. Fast Cool-ikonet vil slå seg av når funksjonen ikke er aktivert.
- Justering av kjøleskapstemperaturen vil automatisk slå av Fast Cool-funksjonen.

### Fast Freeze

Mengden fersk mat (i kg) som kan fryses på 24 timer er indikert på apparatets typeskilt.

- Trykk på fryserens temperaturknapp  i 3 sekunder (inntil Fast Freeze-indikatoren tennes), 24 timer før plassering av fersk mat i fryseren). Etter at du har plassert fersk mat i fryseren, er vanligvis 24 på Fast Freeze-funksjonen generelt tilstrekkelig. Etter 50 timer deaktiveres hurtigfrysfunksjonen automatisk.
- For å manuelt slå av Fast Freeze-funksjonen trykk og hold nede fryserens temperaturknapp  i 3 sekunder. Fast Freeze-ikonet vil slås av.
- Justering av frysertemperaturen vil automatisk slå av Fast Freeze-funksjonen.

### Feriemodus

Denne modusen er designet for å unngå at apparatet sløser med energi i løpet av tider det ikke er i vanlig bruk (for eksempel når du er på ferie).

Ved å velge denne funksjonen vil temperaturen til kjøleskapsdelen (RC) automatisk stilles til varmeste settpunkt.

- For å bruke feriemodusen trykk på modusknappen inntil feriemodusindikatoren er tent på displayet.
- For å avslutte feriemodusen trykk på modusknappen inntil feriemodusikonet ikke er tent på displayet.
- Justering av kjøleskapstemperaturen vil automatisk slå av feriemodusfunksjonen.

**VIKTIG:** Hvis denne modusen er valgt, må all mat og drikke fjernes fra kjøleskapsdelen.

### Lyd PÅ-AV

Trykk på knappen for å aktivere/deaktivere lydfeedback.

### Tastelås

- Trykk og hold inne låseknappen i 3 sekunder for å aktivere låsefunksjonen.
- For å deaktivere låsen trykk og hold låseknappen ned i 3 sekunder.

Låsefunksjonen vil ignorere all interaksjon med kontrollpanelet inntil brukeren låser opp kontrollpanelet. Denne funksjonen er beregnet til å unngå utilsiktet endring av innstillinger.

### Demomodus (kun på WQ9 B1L, 6WM591NIHAS og WQ70900SXX)


Denne modusen brukes når kjøleskapet skal stilles ut hos en forhandler eller hvis du ønsker å slå av kjølingen og deaktivere alle andre funksjoner (unntatt innvendig belysning).

Demomodus kan brukes når du drar på en lengre ferie. Se avsnittet "Pleie ved ferie og flytting" for riktige trinn når du forlater kjøleskapet i denne modusen over lang tid.

- Hvis du slår på demomodus vil ikonet "Demo" vises på displayet.
- Gå inn i eller avslutt demomodusen ved å trykke og holde nede lyd på- eller av-knappen og låseknappen samtidig i 3 sekunder.

### Tilleggsfunksjoner

#### Alarm for åpen dør

- Alarmfunksjonen for dør åpen avgir en alarm og ikonet "Dør åpen" blinker  når en av de fire dørene er åpne i 2 minutter eller mer.
- Alarmen blir gjentatt hvert 5. minutt. Lukk alle dører for å slå den av.

**MERK:** For å dempe den hørbare alarmen mens dørene står åpne, slik som mens du rengjør inne i kjøleskapet, berør en hvilken som helst knapp på kontrollpanelet. Alarmlyden vil slås av midlertidig, men Dør åpen-ikonet vil fortsatt vises på kontrollpanelet.

### Belysning på kjøleskapet

Kjøleskapet har ett innvendig lys som tennes hver gang døren åpnes.

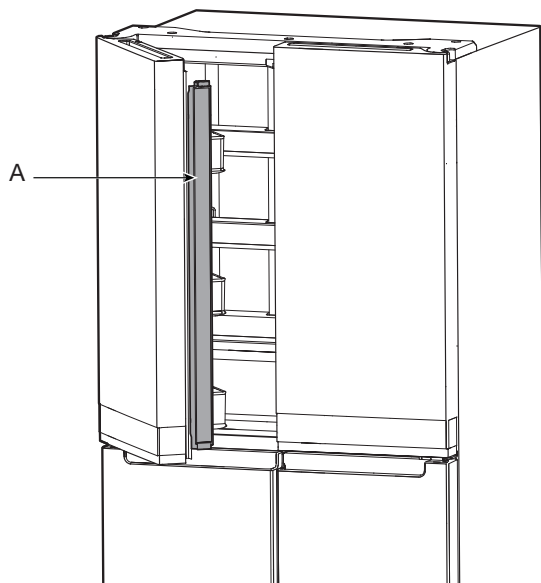
**MERK:** Lyset er en LED som ikke trenger å skiftes ut. Hvis LED-en ikke tennes når døren åpnes, ring service for å skifte lyset.

# BRUK AV KJØLESKAPET

## Åpne og lukke dører

Det finnes to kjøleskapsdører. Dørene kan åpnes og lukkes enten sammen eller hver for seg. Det finnes en vertikalt hengslet tetning på venstre kjøleskapsdør.

- Når venstre sidedør åpnes, foldes den hengslede tetningen automatisk innover, slik at den ikke er i veien.
- Når begge dørene er lukket, danner den hengslede tetningen automatisk en tetning mellom de to dørene.

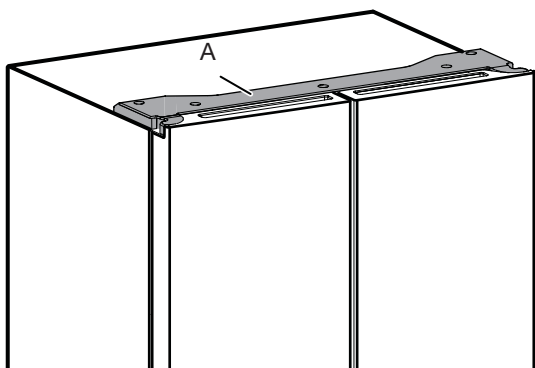


A. Hengslet tetning

Kjøleromsdørens bryter finnes øverst i venstre og høyre hengseldekslet.

- For fryser og multitemperatursone finnes dørbryteren i bunnstolpen.
- Dørbryteren bruker en magnet til å spore døråpning/-lukking.
- Se til at det ikke finnes noen magnet eller noen elektroniske enheter (høytalere, Coolvox® osv.) innenfor 7,62 cm for hengselokket.

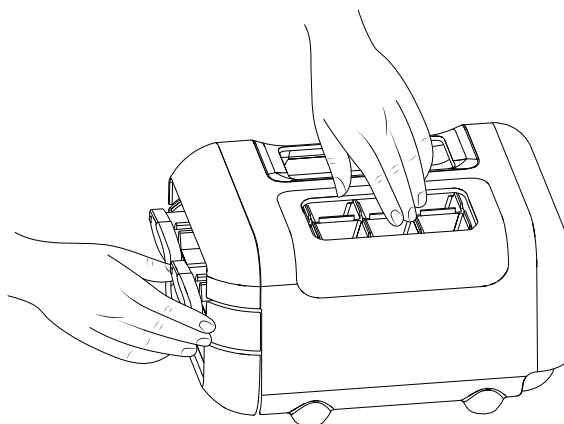
**MERK:** Lyset vil ikke slå seg på hvis døråpningen ikke detekteres.



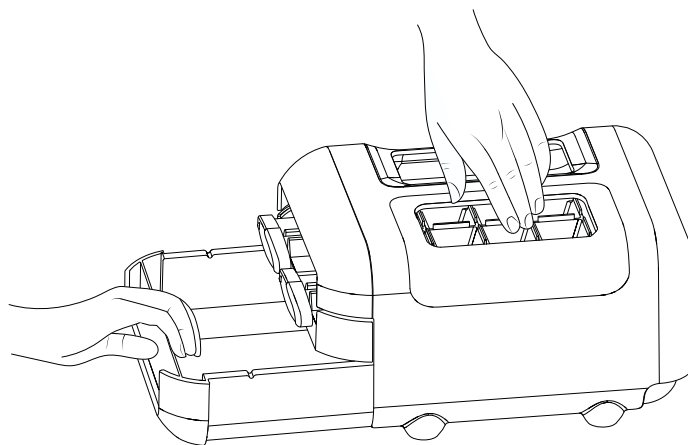
A. Hengseldeksel

## Ismaskinen

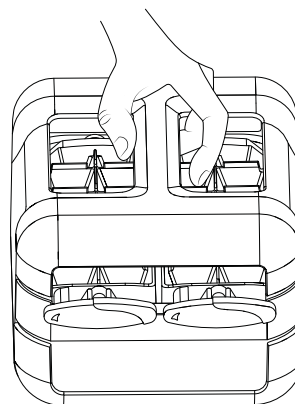
- For å lage is fyll isbrettet med rensset vann, og plasser den manuelle Ismaskinen i fryserens topphylle. La det gå tid til isen blir dannet, og når den er klar, drei knottene med klokka for å støte ut isbitene i isbeholderen.



- Løft isbeholderen litt og trekk ut isbeholderen for å gå tilgang til isbitene.



Den manuelle ismaskinenheten kan tas ut av fryseren når isen ikke er nødvendig for å gi mer plass i fryseren.



## Oppbevaring av mat

### Oppbevaring av egg

Det anbefales å oppbevare egg ved en jevn temperatur for å beholde ferskheten, slik at det er best å oppbevare dem i kjøleskapet på midtre hylle.

# HYLLER, BOKSER OG SKUFFER

## Viktig informasjon om glasshyller og deksler:

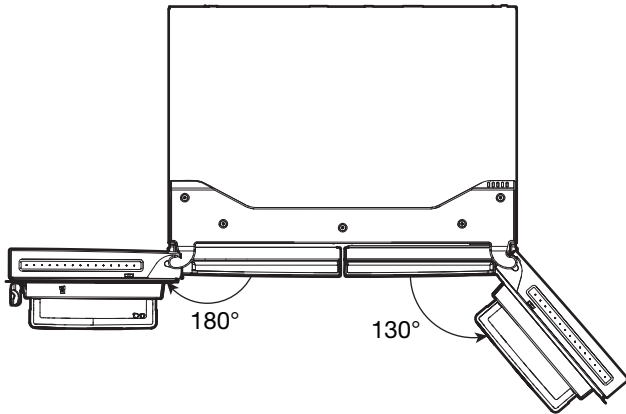
Ikke rengjør glasshyller eller deksler med varmt vann når de er kalde. Hyller og deksler kan knuses hvis de utsettes for plutselige temperaturendringer eller støt, slik som sammenstøt.

Temperert glass er designet til å knuses i mange små stykker på støtrelse av småsteiner. Dette er normalt. Glasshyller og deksler er tunge. Bruk begge hender når du flytter dem for å unngå å miste dem.

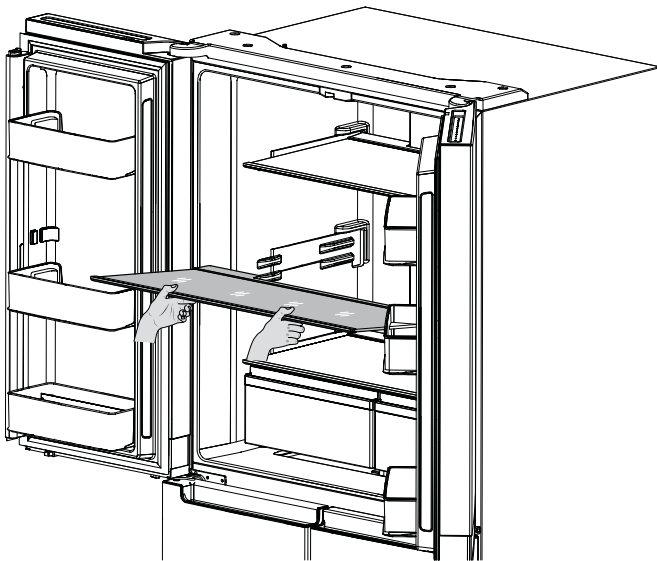
## Justering av hyllehøyde

Hyllehøyden kan justeres ved å endre plassering fra nedre støtte til øvre støtte og omvendt.

- Åpne høyre sidedør så langt som mulig.
- Åpne venstre sidedør så langt som mulig og løft døren for å åpne 180°.



- Ta hyllen ut av kjøleskapet og plasser den på ønsket monteringsposisjon.



- Sørg for at hyllen er satt inn riktig på hyllemontasjene.

## Hyller og hyllerammer

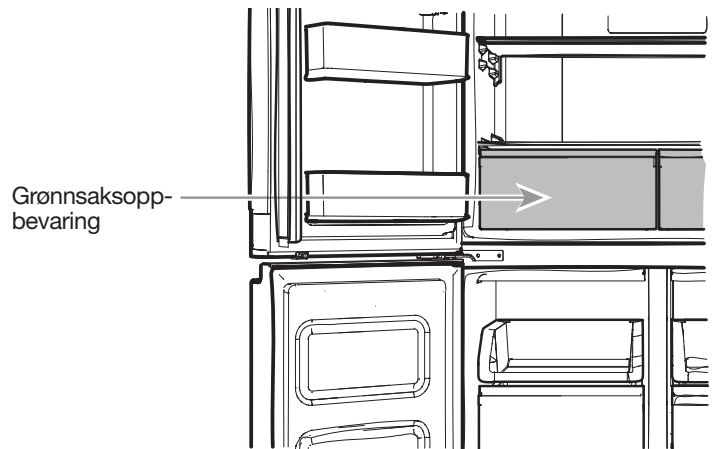
Hyllene i kjøleskapet kan justeres for å oppfylle dine individuelle oppbevaringsbehov.

Oppbevaring av lignende matvarer sammen i kjøleskapet og justere hyllene for å passe til gjenstander i ulike høyder vil gjøre det lettere å finne akkurat den varen du ønsker. Det vil også redusere mengden tid kjøleskapsdøren er åpen og spare energi.

### Ta ut og sette på plass hyller:

1. Åpne høyre sidedør så langt som mulig og åpne venstre sidedør så langt som mulig og løft venstre dør for å åpne 180°.
2. Fjern den midterste hyllen eller topphyllen ved å løfte den opp og ut av hyllestøttene. Trekk deretter hyllen fremover og vipp den ned til vertikal posisjon. Vend hyllen i vinkel og trekk den ut av kjøleskapet.
3. Fjern hyllen ved å løfte den opp og ut av hyllestøttene. Trekk deretter hyllen fremover og vipp den opp til vertikal posisjon. Vend hyllen i vinkel og trekk den ut av kjøleskapet.
4. Sett på plass de midterste og øverste hyllene ved å legge hyllen i kjøleskapet i vinkel med hyllefronten ned. Løft fronten av hyllen opp og skyv den inn inntil bakre hylle faller inn i hyllestøttene. Senk fronten på hyllen og se til at hyllen er på plass.
5. Sett på plass bunnhyllen i kjøleskapet i vinkel med hyllen opp. Løft fronten av hyllen ned og skyv den inn inntil bakre hylle faller inn i hyllestøttene. Senk fronten på hyllen og se til at hyllen er på plass.

## Grønnsaksskuffer

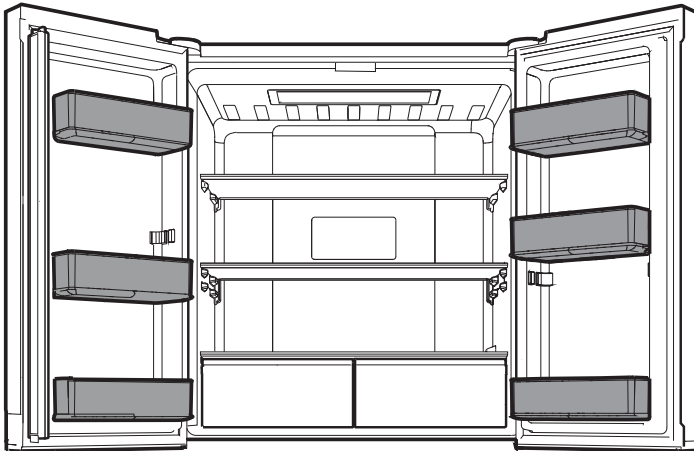


### Fjerne og sette på plass grønnsaksskuffene:

1. Grip håndtaket på grønnsaksskuffen og skyv grønnsaksskuffen rett ut til stopp. Løft grønnsaksskuffen av bunnføringsen.
2. Sett på plass/plasser skuffen ved å sette den på bunnskuffeføringsen og skyve den forbi skuffstoppen til stilling.

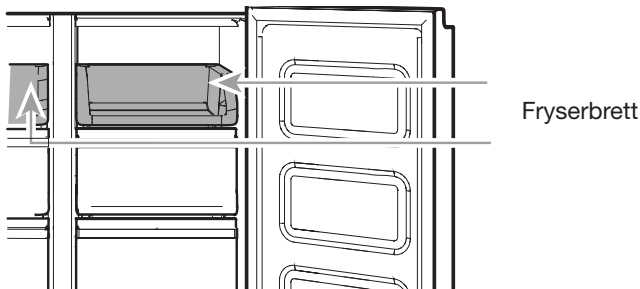
## Kjøleskapbalkonger

Balkongen på kjøleskapets dør er justerbar for å oppfylle dine individuelle oppbevaringsbehov.



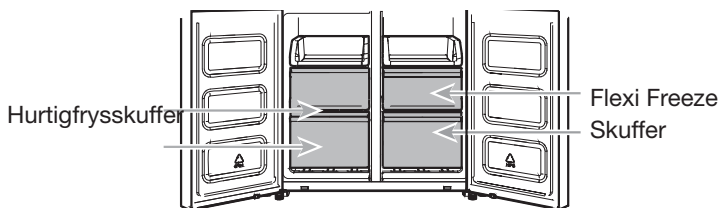
## Fryserlagringsrom

### Fryserbrett



Fryserbrettet er nyttig for å få enkel tilgang til hyppig brukte produkter, til å fryse eller ganske enkelt oppbevare matrester eller mindre artikler.

### Fryserkuffer



### Hurtigfrysingsdel

- Hurtigfrysings-skuffene gjør at du praktisk kan oppbevare artikler med stort volum.
- Hurtigfrysalternativet gjør at du praktisk kan lagre all maten på sikker og transparent måte.

### Flexi Freeze-del (kun på WQ9 B1L, 6WM591NIHAS og WQ70900SXX)

Flexi Freeze-delen gjør at du kan velge ett av de tre frysertemperaturnivåene:  $-7\text{ }^{\circ}\text{C}$ ,  $-12\text{ }^{\circ}\text{C}$  og  $-18\text{ }^{\circ}\text{C}$  for å gi best mulige oppbevaringsforhold for ulike typer mat.

For maksimal fryserkapasitet kan du fjerne fryserkuffen for å eksponere fryserhyllen.

### For å fjerne den øvre skuffen:

1. Grip håndtaket på skuffen og skyv skuffen rett ut til stopp. Løft skuffen av bunnføringen.
2. Sett på plass/plasser skuffen ved å plassere den på bunnskuffeføringen og skyve på plass det forbi skuffstoppen.

### Fryserhylle (kun med WQ9 E1L og WQ9 B1L)

For maksimal fryserkapasitet kan du fjerne midtre skuff for å eksponere fryserhyllen som finnes under denne. Deretter kan du lagre den øvre skuffen og laste mat direkte oppå hyllen.

## Lydreferanse

### Tonetilordning

Tonenavn	Brukseksempler
Strøm på	Kjølesystem slås på hver gang produktet slås på.
Tastetrykk	Bruker trykker en gyldig knapp.
Ugyldig (feil)	Brukeren trykker to eller flere gyldige knapper samtidig. Nedtellingsavbrudd for trykk-og-hold-knapper.
Aktivere	Bekreftelse for å gå inn i en hvilken som helst modus.
Deaktivere	Bekreftelse for å ut av en modus.
Varsel	Alarm for dør på gløtt.

Denne tabellen er kun for hurtigreferanse. Se tilhørende avsnitt for detaljer. I tilfelle uoverensstemmelse, vil avsnittsdetaljer ha prioritet.

## Tilbehør

For å bestille tilbehør ta kontakt med forhandleren som du kjøpte kjøleskapet fra.

## Hjelp eller service

Før du ringer for hjelp eller service, sjekk avsnittet "Feilsøking". Da kan du kanskje spare deg kostnadene med å kontakte service. Hvis du fortsatt trenger hjelp, følg instruksjonene nedenfor.

### Hvis du trenger reservedeler

For å finne de fabrikkspesifiserte reservedelene i ditt område ta kontakt med forhandleren som du kjøpte kjøleskapet fra.

### Garanti

Ta kontakt med forhandleren som du kjøpte kjøleskapet fra for garantiinformasjon.

**Oppbevar denne boken og salgskvitteringen sammen for fremtidig bruk. Du må fremlegge kjøpskvittering eller installasjonsdato for service innen garantien.**

Skriv ned følgende informasjon om apparatet for å hjelpe deg til å få hjelp eller service hvis du noen gang skulle ha behov for det. Du må vite fullstendig modellnummer og serienummer. Du kan finne denne informasjonen på modell- og serienummermerket, som befinner seg på veggen inne i kjøleskapsrommet.

Forhandlerens navn \_\_\_\_\_

Serienummer \_\_\_\_\_

Adresse \_\_\_\_\_

Telefonnummer \_\_\_\_\_

Modellnummer \_\_\_\_\_

Kjøpsdato \_\_\_\_\_



# PLEIE AV KJØLESKAPET

## Rengjøring

### **ADVARSEL**



#### Eksplisjonsfare

**Bruk et ikke-antennelig rengjøringsmiddel.**

**Hvis dette ikke gjøres, kan det medføre død, eksplosjon eller brann.**

Hele kjøleskapet, fryseren og Flexi Freeze-delene (kun på WQ9 B1L, 6WM591NIHAS og WQ70900SXX ) avises automatisk. Men rengjør alle delene omtrent én gang i måneden for å unngå dannelse av lukter. Tørk opp eventuelt søl umiddelbart.

#### Utvendig rengjøring

Se den utvendige rengjøringsinformasjonen som er spesifikk for modellen.

#### Stil 1 – glatt dør

**VIKTIG:** Skade på den glatte finishen på grunn av feil bruk av rengjøringsprodukter eller bruk av ikke anbefalte rengjøringsprodukter er ikke dekket under garantien. Skarpe eller butte instrumenter vil markere finishen.

BRUK FØLGENDE	BRUK IKKE FØLGENDE
✓ Myk, ren klut	✗ Skurekluter ✗ Papirhåndklær eller avis ✗ Stålullputer
✓ Varmt såpevann med et mildt rengjøringsmiddel	✗ Skurepulver eller -væsker ✗ Vindusprayer ✗ Ammoniakk ✗ Syre- eller eddikbaserte rengjøringsmidler ✗ Ovnsrensere ✗ Antennelige væsker

**MERK:** Papirhåndklær riper opp og kan gjøre de klare belegget på den lakkerte døren matt. For å unngå mulig skade bruk kun myke, rene kluter til å polere og tørke av dørene.

#### Stil 2 – Rustfritt stål

##### VIKTIG:

- Bruk kun anbefalte rengjøringsmidler for rustfritt stål og kluter. Skade på den rustfrie stålfinishen på grunn av feil bruk av rengjøringsprodukter eller bruk av ikke anbefalte rengjøringsprodukter er ikke dekket under garantien.
- Unngå å eksponere rustrie stålapparater for kaustiske eller korrosive elementer som miljøer med høyt saltinnhold, høy fuktighet eller høy luftfuktighet. Skade på grunn av eksponering overfor disse elementene er ikke dekket under garantien.

BRUK FØLGENDE	BRUK IKKE FØLGENDE
✓ Myk, ren klut	✗ Skurekluter ✗ Papirhåndklær eller avis ✗ Stålullputer
✓ Varmt såpevann med et mildt rengjøringsmiddel	✗ Skurepulver eller -væsker ✗ Ammoniakk ✗ Sitrusbaserte rengjøringsmidler ✗ Syre- eller eddikbaserte rengjøringsmidler ✗ Ovnsrensere
✓ For kraftig smuss, bruk kun et rengjøringsmiddel som er beregnet på rustfritt stål for apparater. For å bestille rengjøringsmiddel ta kontakt med forhandleren som du kjøpte kjøleskapet fra.	✗ Rengjøringsmiddel for rustfritt stål er kun for deler av rustfritt stål. Ikke la rengjøringsmidler for rustfritt stål og poleringsmiddel komme i kontakt med plastdeler som listestykker, dispenserlokk eller dørpakninger.

#### Stil 3 – Fingeravtrykksresistent rustfritt stål

##### VIKTIG:

- Unngå å eksponere rustrie stålapparater for kaustiske eller korrosive elementer som miljøer med høyt saltinnhold, høy fuktighet eller høy luftfuktighet. Skade på grunn av eksponering overfor disse elementene er ikke dekket under garantien.

BRUK FØLGENDE	BRUK IKKE FØLGENDE
✓ Myk, ren klut	✗ Skurekluter ✗ Papirhåndklær eller avis ✗ Stålullputer
✓ Varmt såpevann med et mildt rengjøringsmiddel	✗ Skurepulver eller -væsker ✗ Vindusprayer ✗ Ammoniakk ✗ Syre- eller eddikbaserte rengjøringsmidler ✗ Ovnsrensere ✗ Antennelige væsker

##### MERKNADER:

- Hvis det oppstår utilsiktet kontakt, rengjør plastdelen med en svamp og mildt rengjøringsmiddel i varmt vann. Tørk grundig med en myk klut.
- Bare på grunn av at et rengjøringsmiddel er flytende, betyr det ikke at det ikke er skurende. Mange flytende rengjøringsmidler er utformet til å være skånsomme på fliser og glatte overflater, men kan fortsatt skade rustfritt stål.
- Sitrusyre misfarger rustfritt stål permanent.
- For å unngå å skade finishen på kjøleskapet i rustfritt stål:

##### Ikke la disse stoffene bli værende på finishen:

- ✗ Sennep
- ✗ Tomatjuice
- ✗ Marinarasaus
- ✗ Sitrusbaserte sauser
- ✗ Sitrusbaserte produkter

---

## Innvendig rengjøring

---

1. Trekk ut støpselet til kjøleskapet eller koble fra strømmen.
2. Håndvask, skyl og tørk avtakbare deler og innvendige overflater grundig. Bruk en ren svamp eller en myk klut og et mildt rengjøringsmiddel i varmt vann.  
**MERK:** Ikke bruk skurende eller aggressive rengjøringsmidler som vindussprayer, skurende rengjøringsmidler, antenkelige væsker, rengjøringsvoks, konsentrerte rengjøringsmidler, blekemidler eller rensemidler som inneholder bensinprodukter på plastdeler, interiør og dørføringer eller pakninger.
3. Koble til kjøleskapet eller koble til strømmen igjen.

---

## Kondensatorrengjøring

---

Dette kjøleskapet har skallkondensator på begge sider av kjøleskapet. Det er normalt at det kjennes varmt ut på sidene.

---

## Lys

Lysene i både kjøleskapet og fryseren er LED-er som ikke skal skiftes ut. Hvis lysene ikke tennes når døren åpnes, ta kontakt med forhandleren som du kjøpte kjøleskapet fra.

---

## Pleie ved ferie og flytting

---

### Ferier

---

**Hvis du velger å la kjøleskapet være på når du er borte:**

1. Bruk opp fordervelige matvarer og frys andre varer.
2. Hvis kjøleskapet har en automatisk ismaskin og er koblet til husholdningens vannforsyning, slå av vannforsyningen til kjøleskapet. Materielle skader kan oppstå hvis vannforsyningen ikke slås av.
3. Hvis du har en automatisk ismaskin, slå av ismaskinen.
  - Trykk bryteren til Av (O) for ismaskinen i døren.
4. Tøm isboksen.

**Hvis du velger å slå av kjøleskapet før du drar:**

- MERK:** Sett kjøleskapet i demomodus mens du er på ferie. Se avsnittet "Bruke kontrollene".
1. Fjern all mat fra kjøleskapet.
  2. Hvis kjøleskapet har en automatisk ismaskin:
    - Slå av vannforsyningen til ismaskinen minst 1 dag i forveien.
    - Når den siste lasten av is faller, trykk bryteren på Av (O) for at displayet skal være uopplyst på toppen inne i kjøleskapet, avhengig av modellen.
  3. Tøm isboksen.
  4. Slå av temperaturkontrollene. Se avsnittet "Bruke kontrollene".
  5. Rengjør kjøleskapet, tørk det og tørk godt.
  6. Tape gummi- eller treblokker til toppene på begge dører for å holde dem åpne tilstrekkelig for å få inn luft. Dette forhindrer lukt- og muggsoppdannelse.

---

## Flytting

---

Når du flytter kjøleskapet til et nytt hjem, følg disse trinnene for å klargjøre det for forflytningen.

1. Hvis kjøleskapet har en automatisk ismaskin:
  - Slå av vannforsyningen til ismaskinen minst 1 dag i forveien.
  - Koble vannlinjen fra baksiden av kjøleskapet.
  - Når den siste lasten av is faller, trykk på bryteren for å slå Av (O) enten på ismaskinen eller kontrollen, avhengig av modellen.
2. Ta ut all mat fra kjøleskapet og pakk all frossen mat i tørris.
3. Tøm isboksen.
4. Koble fra kjøleskapet.
5. Rengjør, tørk av det og tørk grundig.
6. Ta ut alle avtakbare deler, pakk dem godt inn og tape dem sammen så de ikke beveger seg og skrangler under flyttingen.
7. Avhengig av modell, løft fronten på kjøleskapet så det ruller enklere, eller forhøy nivelleringskruene så de ikke skrapper opp gulvet. Se avsnittet "Juster dørene" eller "Innretting av kjøleskap og lukking av dør".
8. Tape dørene lukket og tape strømledningen til baksiden av kjøleskapet.

Når du kommer til det nye hjemmet, legg alt tilbake og se avsnittet "Installasjonsanvisninger" for klargjøringsanvisninger. Også, hvis kjøleskapet har en automatisk ismaskin, husk på å koble til vannforsyningen til kjøleskapet igjen.

# FEILSØKING

Prøv først de løsningene som er foreslått her for å unngå å ringe service.

**⚠ ADVARSEL**



**Fare for elektrisk støt**

**Sett støpselet i en jordet stikkontakt.**

**Du må aldri fjerne jordpinnen.**

**Adapter skal ikke brukes.**

**Skjøteledning skal ikke brukes.**

**Hvis disse anvisningene ikke følges, kan det medføre død, brann eller elektrisk støt.**

Hvis du opplever	Mulige årsaker	Løsning
<b>Bruk av kjøleskapet</b>		
Kjøleskapet virker ikke.	Kontroller elektrisk tilkobling.	Koble strømledningen til et jordet uttak. Skjøteledning skal ikke brukes. Se til at det er strøm i uttaket. Plugg inn en lampe for å kontrollere at uttaket fungerer. Tilbakestill en utløst kretsbytter. Skift ut eventuelt utbrente sikringer. <b>MERK:</b> Hvis problemet vedvarer, ta kontakt med en elektriker.
	Sjekk kontrollene.	Se til at kontrollene er slått på. Se avsnittet "Bruke kontrollene".
	Ny installasjon.	La det gå 24 timer etter installeringen for at kjøleskapet skal kjøles ned helt. <b>MERK:</b> Justering av temperaturkontrollene til kaldeste innstilling vil ikke kjøle ned noen av kjølerommene hurtigere.
	Kjøleskapets kontroll er i demomodus (på noen modeller).	Hvis kjøleskapet er i demomodus, er kjølingen slått av, og "Demo" vil tennes på kontrollpanelet. Se avsnittet "Bruk av kontrollene" for mer informasjon.
Motoren ser ut til å kjøre for mye.	Høy effektivitets kompressor og vifter.	Større, mer effektive kjøleskap kjører lengre ved lavere, mer energieffektive hastigheter.
	Rom- eller utendørstemperaturen er varm.	Det er normalt at kjøleskapet arbeider lengre under disse forholdene. For optimal ytelse plasser kjøleskapet i et innendørs, temperaturkontrollert miljø. Se avsnittet "Krav til plassering".
	En stor mengde varm mat har nylig blitt lagt inn.	Varm mat vil gjøre at kjøleskapet går over lengre tid inntil luften kjøles ned til ønsket temperatur.
	Døren(e) er åpnet for hyppig eller for lenge.	Varm luft kommer inn i kjøleskapet gjør at kjøleskapet kjører over lang tid. Åpne døren mindre hyppig.
	Kjøleskapsdøren eller fryserskuffen står på gløtt.	Se til at kjøleskapet er i vater. Se avsnittet "Innretting av kjøleskap og lukking av dør". Se til at mat og beholdere ikke blokkerer dørene.
	Kjøleskapskontrollen er stilt inn for kaldt.	Juster kjøleskapets kontroll til en mindre kald innstilling inntil kjøleskapstemperaturen er som ønsket.
	Dør- eller skuffpakningen er tilsmusset, slitt eller sprukket.	Rengjør eller bytt pakningen. Lekkasje i dørtetningen vil gjøre at kjøleskapet går over lengre tid for å opprettholde ønskede temperaturer.

# FEILSØKING

Prøv først de løsningene som er foreslått her for å unngå å ringe service.

Hvis du opplever	Mulige årsaker	Løsning
Lysene virker ikke.	Kjøleskapet er utstyrt med LED-lys som ikke trenger å skiftes ut.	Hvis det er strøm til kjøleskapet og lysene ikke tennes når en dør eller skuff åpnes, ring etter service eller hjelp.
	Dørene har vært åpne i mer enn 10 minutter.	Lukk dørene og skuffen for å tilbakestille og åpne for å gjenoppta belyst oppgave.
	Dørbryteren merker ikke at døren blir åpnet.	Se til at det ikke finnes noen magneter eller noen elektroniske enheter innenfor 7,62 cm (3") for hengsellokket.
Temperaturkontrollgrensesnittet kommer ikke på.	Temperaturkontrollgrensesnittet gikk over i hvilemodus.	Trykk på hvilken som helst knapp for å vekke opp temperaturkontrollgrensesnittet.
	Temperaturkontrollgrensesnittets knapper fungerer ikke så bra.	Prøv å slå kjøleskapet av og på slik at knappene tilbakestilles. Hvis problemet vedvarer, ring service eller hjelp.
	Temperaturkontrollgrensesnittet mottar ikke strøm.	Kontroller kablingsnettets på dørhengselen.
Kan ikke justere innstillingen på temperaturkontrollgrensesnittet.	Døren er åpen og alarmen for dør på gløtt er aktivert.	Lukk døren.
<b>Uvanlig lyd</b>		
For å lytte til normale kjøleskapslyder gå til produkt hjelp/vanlige spørsmål på merkets nettsider og søk etter "normale lyder". Under er noen normale lyder opplistet med forklaringer.		
Kjøleskapet ser ut til å lage støy.	Kompressoren i det nye kjøleskapet regulerer temperaturen mer effektivt ved bruk av mindre energi, og driver stille.	På grunn av denne reduksjonen i driftsstøy kan du merke ukjente støyer som er normale.
Lyden av kompressoren som kjører lenger enn forventet.	Høy effektivitets kompressor og vifter.	Større, mer effektive kjøleskap kjører lengre ved lavere, mer energieffektive hastigheter.
Pulsering/during	Vifter/kompressor justerer for å optimalisere ytelse gjennom normal kompressordrift.	Dette er normalt.
Slaglyder	Sammentrekning/utvidelse av innvendige vegger, spesielt under innledende neckjøling.	Dette er normalt.
Hvesing/drypping	Strøm av kjølemiddel eller strøm av olje i kompressoren.	Dette er normalt.
Vibrasjon	Kjøleskapet er kanskje ikke stabilt.	Juster nivelleringssskruene og senk nivelleringsføttene fast mot gulvet. Se avsnittet "Innretting av kjøleskap og lukking av dør".
Skrangling/banking	Bevegelse av vannlinjene mot kjøleskapets utside eller av gjenstander som er plassert oppå kjøleskapet.	Flytt overflødig vannlinje bort fra kjøleskapet eller fest overflødig rør til skapet. Se avsnittet "Koble til vannforsyningen" eller fjern gjenstander fra toppen av kjøleskapet.
Surring	Vann drypper på varmeren under avisingsprosessen.	Dette er normalt.
Vann som renner / gurglelyder	Kan høres når is smelter under avisingsprosessen og vann renner ned i tømmepannen.	Dette er normalt.

# FEILSØKING

Prøv først de løsningene som er foreslått her for å unngå å ringe service.

Hvis du opplever	Mulige årsaker	Løsning
<b>Temperatur og fuktighet</b>		
Temperaturen er for varm.	Kjøleskapet har akkurat blitt installert.	La det gå 24 timer etter installeringen for at kjøleskapet skal kjøles ned helt.
	Kontrollene er ikke stilt inn riktig for omgivende betingelser.	Justere kontrollene til en innstilling kjøligere. Sjekk temperaturen om 24 timer. Se avsnittet "Bruke kontrollene".
	Døren(e) er åpnet for hyppig eller ikke lukket helt. Gjør at varm luft kommer inn i kjøleskapet.	Minimer døråpningene og hold dørene helt lukket.
	En stor mengde mat har nylig blitt lagt inn.	La det gå flere timer for at kjøleskapet skal oppnå normal temperatur igjen.
	Demomodus er på.	Slå av demomodus. Se avsnittet "Bruke kontrollen".
	Feriemodus er på.	Slå av feriemodus. Se avsnittet "Bruke kontrollen".
Temperaturen er for kald i kjøleskapet/grønnsaksskuffen.	Kjøleskapets luftventil(er) er blokkert.	Hvis luftventilen som finnes i midten bak i kjøleskapsrommet er blokkert av gjenstander som er plassert rett foran denne, vil kjøleskapet blir for kaldt. Flytt gjenstander bort fra luftventilen.
	Kontrollene er ikke stilt inn riktig for omgivende betingelser.	Juster kontrollene til en varmere innstilling. Sjekk temperaturen om 24 timer. Se avsnittet "Bruke kontrollene".
	Isoppbevaringsboksen er ikke i riktig stilling.	Se avsnittet "Ismaskin og isoppbevaringsbeholder".
Temperaturen er for kald i den temperaturkontrollerte skuffen.	Kontrollen er ikke stilt riktig for gjenstandene som er lagret i skuffen.	Juster temperaturinnstillingen. Se avsnittet "Bruke kontrollene" i "Bruk av kjøleskapet".
Det finnes fuktighetsdannelse på innsiden. <b>MERK:</b> Noen fuktighetsdannelse er normalt.	Rommet er fuktig.	Et fuktig miljø bidrar til fuktighetsdannelse.
	Døren(e) er åpnet for hyppig eller ikke lukket helt. Gjør at fuktig luft kommer inn i kjøleskapet.	Minimer døråpningene og lukk dørene helt.
	Døren(e) er blokkert i åpen tilstand.	Flytt matpakninger bort fra døren.
	En boks eller hylle er i veien.	Skyv boksen eller hyllen tilbake i riktig posisjon.
	Oppbevaring av væske i åpne beholdere.	Dette tilfører fuktighet til kjøleskapets innside. Oppbevar alle beholderne godt tildekket.
Det finnes frost/isdannelse i fryseren.	Døren er åpnet ofte eller har stått åpen.	Minimer døråpningene og lukk skuffen helt etter bruk.
	Døren har dårlig dørtetning.	Se til at dørtetningene har fullstendig kontakt med kjøleskapet for å gjøre det mulig med en tilstrekkelig tetning.
	Temperaturkontrollene er ikke stilt riktig.	Se avsnittet "Bruk av kontrollene" for anbefalte temperaturinnstillinger.

# FEILSØKING

Prøv først de løsningene som er foreslått her for å unngå å ringe service.



For å vise en animasjon om hvordan du justerer og innretter dørene se produkthjelp/vanlige spørsmål på merkets nettsider og søk etter "Lukking av dør og dørinnretting".

Hvis du opplever	Mulige årsaker	Løsning
<b>Dører</b>		
Dørene lukkes ikke helt.	Døren er blokkert i åpen tilstand.	Flytt matpakninger bort fra døren.
	En boks eller hylle er i veien.	Skyv boksen eller hyllen tilbake i riktig posisjon.
	Nylig installert	Fjern alle pakningsmaterialer.
Dørene er vanskelige å åpne.	Dørpakningen er tilsmussede eller klebrige.	Rengjør pakningene og kontaktflatene med mild såpe og varmt vann. Skyll og tørk med myk klut.
Dørene ser ut til å være ute av vater.	Dørene må innrettes eller kjøleskapet må stilles i vater.	Hvis du har behov for å innrette døren, ring etter service.
Kjøleskapet er ustabilt eller ruller fremover ved åpning eller lukking av dørene.	Kjøleskapets bremseføtter er ikke tett mot gulvet.	Skru begge bremseføttene (én på hver side) mot klokka, samme mengde, inntil de er tett mot gulvet. Se avsnittet "Innretting av kjøleskap og lukking av dør".

# Índice

<b>SEGURANÇA DO FRIGIRÍFICO .....</b>	<b>272</b>
Eliminação adequada do seu frigorífico antigo .....	275
<b>PEÇAS E FUNCIONALIDADES .....</b>	<b>276</b>
<b>INSTRUÇÕES DE INSTALAÇÃO .....</b>	<b>277</b>
Iniciar .....	277
Desembalar o frigorífico.....	277
Requisitos de localização .....	278
Requisitos elétricos.....	278
Retirar e voltar a colocar as portas do frigorífico .....	280
Retirar e voltar a colocar a porta do congelador/congelação flexível.....	282
Nivelar o frigorífico .....	283
Utilizar os controlos .....	284
Acender o frigorífico.....	285
<b>UTILIZAÇÃO DO FRIGORÍFICO.....</b>	<b>286</b>
Abrir e fechar as portas .....	286
Armazenamento de alimentos.....	286
<b>PRATELEIRAS, COMPARTIMENTOS E GAVETAS.....</b>	<b>287</b>
Compartimentos de armazenamento do congelador .....	288
Referência áudio .....	288
Acessórios.....	288
Assistência ou serviço .....	288
<b>MANUTENÇÃO DO FRIGORÍFICO .....</b>	<b>289</b>
Limpeza.....	289
Luzes .....	290
Cuidados em férias e em mudança .....	290
<b>RESOLUÇÃO DE PROBLEMAS .....</b>	<b>291</b>

# SEGURANÇA DO FRIGIRÍFICO

## A sua segurança e a dos outros é muito importante.

Fornecemos muitas mensagens de segurança importantes neste manual e no aparelho. Leia e cumpra todas as mensagens de segurança.



Este é o símbolo de perigo.

Este símbolo alerta-o para potenciais perigos que podem causar a morte ou ferimentos a si ou a terceiros.

Todas as mensagens de segurança são precedidas pelo símbolo de perigo e a palavra "PERIGO" ou "AVISO".

Estas palavras significam:

**⚠ PERIGO**

**Se não seguir imediatamente estas instruções poderá morrer ou sofrer ferimentos graves.**

**⚠ AVISO**

**Se não seguir estas instruções poderá morrer ou sofrer ferimentos graves.**

Todas as mensagens de segurança dizem-lhe qual é o potencial perigo, dizem-lhe como reduzir a hipótese de ocorrência de lesões e o que pode acontecer se as instruções não forem respeitadas.



## INSTRUÇÕES DE SEGURANÇA

Antes de utilizar o aparelho, leia estas instruções de segurança. Mantenha-as junto do aparelho para uma futura referência. Estas instruções e o próprio aparelho incluem avisos de segurança importantes, os quais deverá cumprir em todas as situações. O fabricante declina qualquer responsabilidade por danos causados pela inobservância destas instruções de segurança, pela utilização inadequada do aparelho ou pela definição errada dos controlos.

⚠ As crianças muito pequenas (0-3 anos) devem ser mantidas afastadas do aparelho. As crianças pequenas (3-8 anos) devem ser mantidas afastadas do aparelho, a menos que estejam sob supervisão permanente. Este aparelho pode ser utilizado por crianças a partir dos 8 anos de idade e por pessoas com capacidades físicas, sensoriais ou mentais reduzidas ou com pouca experiência ou conhecimentos desde que tenham supervisão ou tenham recebido instruções relativas à utilização do aparelho de forma segura e compreendam os riscos inerentes. Não deixe as crianças brincarem com o aparelho. Os procedimentos de limpeza e de manutenção por parte do utilizador não devem ser feitos por crianças sem supervisão.

### UTILIZAÇÃO PERMITIDA

⚠ CUIDADO: O aparelho não se destina a ser operado através de um comutador externo, como um temporizador ou um sistema de comando à distância individual.

⚠ Este aparelho destina-se a ser utilizado em aplicações domésticas ou semelhantes, como: áreas de cozinha de locais de trabalho em lojas, escritórios; quintas; por clientes de hotéis, motéis, hospedarias e restantes ambientes residenciais.

⚠ Este aparelho não se destina à utilização profissional. Não utilize o aparelho no exterior.

⚠ O aparelho foi concebido para funcionar em ambientes com uma temperatura ambiente compreendida entre os seguintes intervalos, de acordo com a classe climática indicada na chapa de características. O aparelho pode não funcionar corretamente se for deixado durante um longo período de tempo a uma temperatura fora do intervalo especificado.

T. amb. classe climática (°C)

SN: De 10 a 32 °C; N: De 16 a 32 °C

ST: De 16 a 38 °C; T: De 16 a 43 °C

⚠ Este aparelho não contém CFCs. O circuito refrigerante contém R600a (HC). Aparelhos com isobutano (R600a): o isobutano é um gás natural sem impacto ambiental, mas é inflamável. Assim sendo, certifique-se de que os tubos do circuito de refrigerante não são danificados, especialmente quando esvaziar o circuito de refrigerante.

⚠ AVISO: Não danifique os tubos do circuito de refrigerante.

⚠ AVISO: Mantenha as aberturas de ventilação, na caixa do aparelho ou na estrutura de encastra, livres de obstruções.

## IMPORTANTE PARA SER LIDO E OBSERVADO

⚠ AVISO: Não utilize meios mecânicos, elétricos ou químicos para acelerar o processo de descongelação, para além dos recomendados pelo fabricante.

⚠ AVISO: Não utilize nem introduza aparelhos elétricos no interior dos compartimentos do aparelho se estes não forem do tipo expressamente autorizado pelo fabricante.

⚠ AVISO: Os geradores de gelo e/ou dispensadores de água, que não estão ligados diretamente à alimentação de água, têm de ser enchidos apenas com água potável.

⚠ AVISO: Os geradores de gelo e/ou dispensadores de água automáticos têm de ser ligados a uma alimentação de água que forneça apenas água potável, com uma pressão da rede hídrica entre 0,17 e 0,81 MPa (1,7 e 8,1 bar).

⚠ Não guarde substâncias explosivas tais como latas de aerossóis com um propulsor inflamável neste aparelho.

⚠ Não ingira o conteúdo (não-tóxico) dos acumuladores de gelo (fornecidos com alguns modelos). Não coma cubos de gelo ou gelados imediatamente depois de os retirar do congelador, pois podem causar queimaduras de frio.

⚠ Para os produtos concebidos para utilizar um filtro de ar dentro de uma tampa de ventoinha acessível, o filtro tem de estar sempre colocado quando o frigorífico estiver a funcionar.

⚠ Não guarde recipientes de vidro com líquidos no compartimento do congelador, pois poderão quebrar. Não obstrua a ventoinha (se existente) com alimentos. Depois de colocar os alimentos, verifique se as portas dos compartimentos fecham bem, especialmente a porta do congelador.

⚠ Se as juntas estiverem danificadas, têm de ser substituídas assim que possível.

⚠ Utilize o compartimento do frigorífico apenas para a conservação de alimentos frescos e o compartimento do congelador apenas para a conservação de alimentos congelados, para a congelação de alimentos frescos e a produção de cubos de gelo.

⚠ Evite guardar alimentos não embrulhados em contacto direto com as superfícies internas dos compartimentos frigorífico ou congelador. Os aparelhos podem ter compartimentos especiais (compartimento para alimentos frescos, caixa zero graus, etc.). Salvo especificação em contrário no folheto específico do produto, estes podem ser retirados, mantendo desempenhos equivalentes.

### INSTALAÇÃO

⚠ A movimentação e a instalação do aparelho devem ser efetuadas por duas ou mais pessoas - risco de ferimentos. Utilize luvas de proteção para o desembalamento e a instalação - risco de cortes.

⚠ A instalação, incluindo a alimentação de água (se necessário) e ligações elétricas, e as reparações devem ser realizadas por um técnico qualificado. Não repare nem substitua nenhuma peça do aparelho salvo indicação específica no manual de utilização. Mantenha as crianças afastadas do local de instalação.

Depois de desembalar o aparelho, certifique-se de que este não foi danificado durante o transporte. Caso surjam problemas, contacte o revendedor ou o Serviço Pós-Venda mais próximo. Quando instalado, os resíduos de embalagem (plástico, peças de esferovite, etc.) têm de ser guardados fora do alcance das crianças - risco de asfixia. O aparelho tem de ser desligado da alimentação de corrente antes de qualquer trabalho de instalação - risco de choque elétrico. Durante a instalação, certifique-se de que o aparelho não danifica o cabo de alimentação - risco de incêndio ou choque elétrico. Ative o aparelho apenas quando a instalação estiver concluída.

⚠ Ao deslocar o aparelho, seja cuidadoso para evitar danificar o chão (por ex. parquet). Instale o aparelho num pavimento ou suporte capaz de sustentar o peso e num ambiente adequado às suas dimensões e à sua utilização. Certifique-se de que o aparelho não está perto de uma fonte de calor e de que os quatro pés estão estáveis e assentes no chão, ajustando-os conforme necessário, e verifique se o aparelho está perfeitamente nivelado utilizando um nível de bolha de ar. Aguarde pelo menos duas horas antes de ligar o aparelho, para garantir que o circuito de refrigeração está totalmente eficiente.

⚠ Deixe um espaço dos dois lados e por cima do aparelho para garantir uma ventilação adequada. A distância entre a traseira do aparelho e a parede atrás do aparelho deve ser de 50mm para evitar o acesso a superfícies quentes. Uma redução deste espaço aumenta o consumo de energia do produto.

⚠ AVISO: Para evitar a ocorrência de perigos devido à instabilidade, o aparelho deve ser posicionado ou fixado de acordo com as instruções do fabricante. É proibido colocar o frigorífico de forma a que a mangueira de metal do gás do forno, os tubos de metal do gás ou da água ou os fios elétricos fiquem em contacto com a parede traseira do frigorífico (bobina do condensador).

⚠ É necessário substituir as portas, entre em contacto com o centro de assistência técnica.

### **AVISOS DE ELETRICIDADE**

⚠ A desativação da alimentação elétrica deve ser possível retirando a ficha da tomada, sendo esta acessível, ou através de um interruptor multipolar, colocado a montante da tomada, em conformidade com os regulamentos de instalação elétrica e o aparelho tem de estar ligado à terra de acordo com as normas de segurança elétrica nacionais.

⚠ Não utilize cabos de extensão, tomadas múltiplas ou adaptadores. Os componentes elétricos não poderão ficar acessíveis ao utilizador após a instalação. Não utilize o aparelho se estiver molhado ou descalço. Não ligue o aparelho se este possuir um cabo ou uma tomada elétrica danificada, se não estiver a funcionar corretamente, se estiver danificado ou se tiver sofrido uma queda.

⚠ Se o cabo de alimentação estiver danificado, tem de ser substituído por um idêntico pelo fabricante, seu agente de assistência ou pessoal com qualificações semelhantes para evitar um perigo - risco de choque elétrico.

⚠ AVISO: Quando posicionar o aparelho, certifique-se de que o cabo de alimentação não está preso ou danificado.


⚠ AVISO: Não coloque várias tomadas portáteis ou fontes de alimentação portáteis na traseira do aparelho.

### **LIMPEZA E MANUTENÇÃO**

⚠ AVISO: Certifique-se de que o aparelho está desligado e desconectado da alimentação de corrente antes de realizar qualquer operação de manutenção; nunca utilize equipamento de limpeza a vapor - risco de choque elétrico.

⚠ Não utilize produtos de limpeza abrasivos ou agressivos, como spays limpa-vidros, esfregões, líquidos inflamáveis, ceras de limpeza, detergentes concentrados, lixívia ou detergentes que contenham derivados do petróleo, em peças plásticas, revestimentos interiores ou de portas ou juntas. Não utilize toalhetes de papel, esfregões abrasivos ou outros instrumentos de limpeza agressivos.


### **ELIMINAÇÃO DOS MATERIAIS DA EMBALAGEM**

O material de embalagem pode ser reciclado a 100% tal como confirmado pelo símbolo de reciclagem .

Assim sendo, as várias partes da embalagem devem ser eliminadas de forma responsável e em conformidade com as normas estabelecidas pelas autoridades locais.

### **ELIMINAÇÃO DE ELETRODOMÉSTICOS**

Este aparelho é fabricado com materiais recicláveis ou reutilizáveis. Elimine-o de acordo com os regulamentos locais relativos à eliminação de resíduos. Para obter mais informações sobre o tratamento, recuperação e reciclagem de eletrodomésticos, contacte as autoridades locais, o serviço de recolhas de resíduos domésticos ou a loja onde adquiriu o aparelho. Este aparelho encontra-se marcado em conformidade com a Diretiva Europeia 2012/19/UE, Resíduos de Equipamentos Elétricos e Eletrónicos (REEE). Ao garantir uma eliminação correta do produto, evitará consequências negativas para o meio ambiente e para a saúde pública.

O símbolo  no produto ou na documentação que o acompanha, indica que este produto não deve ser tratado como resíduo doméstico, mas deve ser entregue num centro de recolha adequado para a reciclagem de equipamento elétrico e eletrónico.

## DICAS DE POUPANÇA DE ENERGIA

Instale o aparelho num local seco e bem ventilado, afastado de qualquer fonte de calor (p. ex. radiador, fogão, etc.) e da exposição direta do sol. Se necessário, utilize uma placa de isolamento.

Siga as instruções de instalação para garantir uma ventilação adequada. Uma ventilação insuficiente na traseira do aparelho aumenta o consumo de energia e reduz a eficiência de refrigeração.

A abertura frequente da porta pode resultar num aumento no consumo de energia. A temperatura interna do aparelho e o consumo de energia podem ser afetados também pela temperatura ambiente e da localização do aparelho. A regulação da temperatura deve ter estes fatores em consideração.

Reduza a abertura da porta ao mínimo.

Quando descongelar alimentos congelados, coloque-os no frigorífico. A temperatura baixa dos produtos congelados arrefece os alimentos no frigorífico. Aguarde que alimentos e bebidas quentes arrefeçam antes de os colocar no aparelho.

O posicionamento das prateleiras no frigorífico não tem qualquer impacto na utilização eficiente da energia. Os alimentos devem ser colocados nas prateleiras de forma a garantir uma circulação de ar adequada (os alimentos não devem tocar uns nos outros e deve ser mantida alguma distância entre os alimentos e a parede traseira).

Pode aumentar a capacidade de armazenamento de alimentos congelados retirando os cestos e, se existente, a prateleira Stop Frost.

Não se preocupe com os ruídos produzidos pelo compressor, estes são ruídos normais, conforme descrito no Guia rápido deste produto.



## Eliminação adequada do seu frigorífico antigo

### **AVISO**

#### Perigo de asfixia

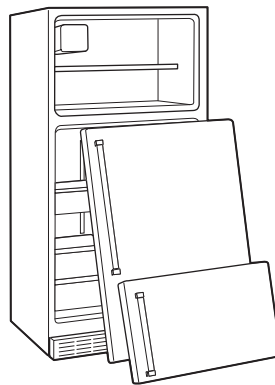
**Retire as portas do seu frigorífico antigo.**

**Não seguir esta instrução pode resultar em morte ou lesões cerebrais.**

**IMPORTANTE:** O apesamento de crianças e a asfixia não são problemas do passado. Os frigoríficos desmantelados ou abandonados ainda são perigosos, mesmo que fiquem durante “apenas alguns dias”. Se estiver a desfazer-se do seu frigorífico antigo, siga estas instruções para ajudar a evitar acidentes.

**Antes de se desfazer do seu frigorífico ou congelador antigo:**

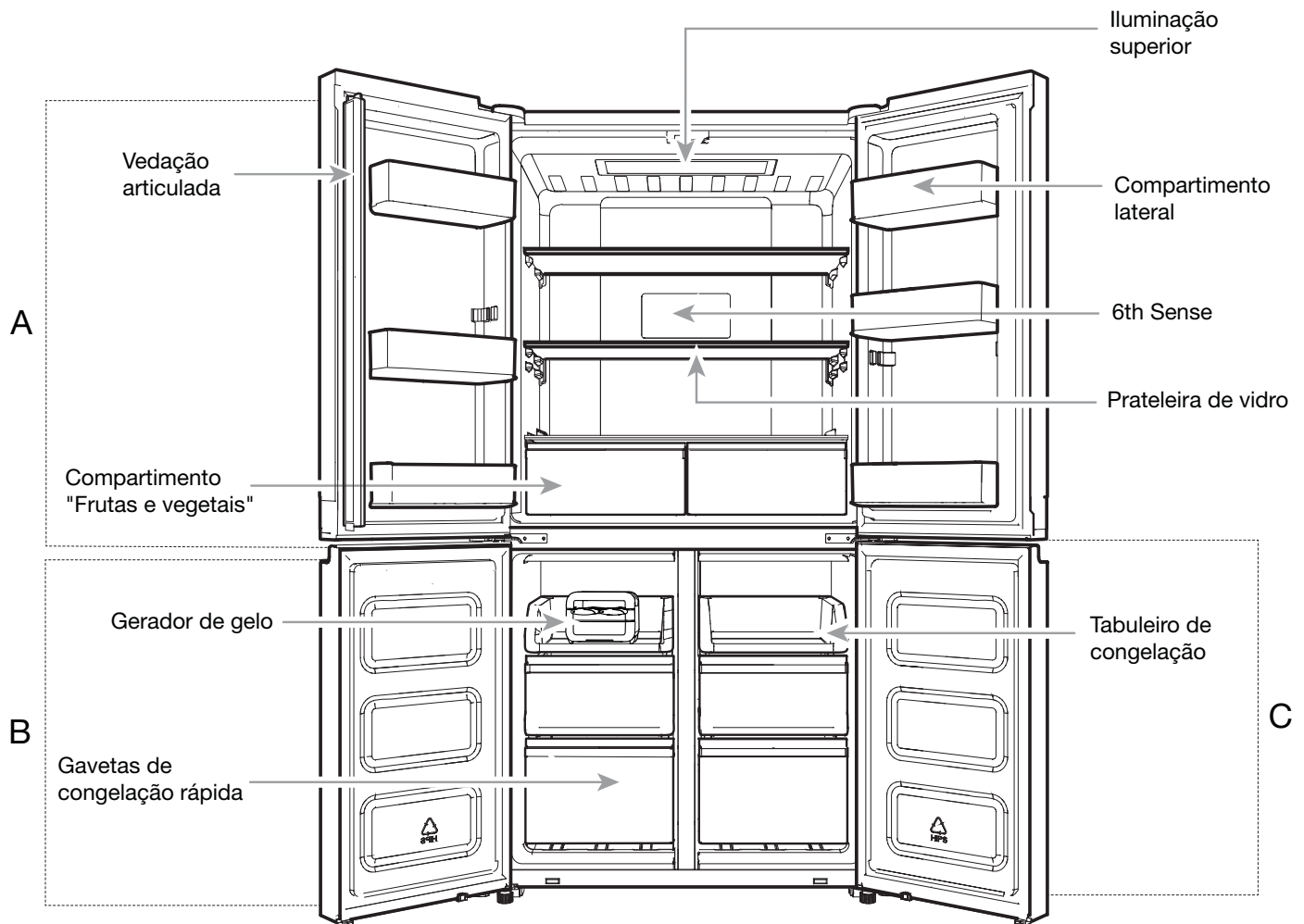
- Retire as portas.
- Deixe as prateleiras no lugar para que não seja fácil para as crianças treparem para dentro do frigorífico.



### Informação importante sobre como eliminar os refrigerantes:

Elimine o refrigerante de acordo com os regulamentos federais e locais. Os refrigerantes têm de ser removidos por um técnico de refrigerantes com licença, de acordo com procedimentos estabelecidos.

# PEÇAS E FUNCIONALIDADES



- A . Frigorífico
- B . Congelador
- C . Congelação flexível (apenas com WQ9 B1L, 6WM591NIHAS e WQ70900SXX)

# INSTRUÇÕES DE INSTALAÇÃO

## Iniciar

### LISTA DE VERIFICAÇÃO DE INSTALAÇÃO

✓ Corrente elétrica

#### ⚠ AVISO



#### Perigo de choque elétrico

Ligue a uma tomada ligada à terra.

Não retire o pino de terra.

Não utilize um adaptador.

Não utilize extensões.

O não cumprimento destas instruções pode resultar em morte, incêndio ou choque elétrico.

■ Ligue o frigorífico a uma tomada ligada à terra.

#### ✓ Portas

■ Se for necessário retirar as portas durante a instalação, consulte as secções “Retirar e voltar a colocar as portas do frigorífico” e “Retirar e voltar a colocar os painéis frontais das portas do congelador”.

■ As portas selam completamente.

■ O frigorífico está nivelado. Ajuste os pés de nivelamento para que assentem bem no chão.

■ As portas estão niveladas no topo. (Use a função de alinhamento das portas, se necessário).

#### ✓ Verificações finais

■ Remova todo o material de transporte.

■ Defina os controlos de temperatura para a regulação recomendada.

■ Guarde as instruções e outra literatura.

■ Para receber uma assistência mais completa, registre o seu produto em [www.whirlpool.eu/register](http://www.whirlpool.eu/register).

## Desembalar o frigorífico

#### ⚠ AVISO

#### Perigo de peso excessivo

Utilize duas ou mais pessoas para deslocar e instalar o frigorífico.

Não seguir esta instrução pode resultar em lesões nas costas ou outros ferimentos.

#### Entrega do frigorífico

É necessária uma abertura mínima da porta de 838 mm (33"). Se a abertura da porta for de 914 mm (36") ou menos, é necessário retirar as portas, a gaveta e as dobradiças.

Transporte o frigorífico de lado para todas as aberturas de porta.

#### Quando deslocar o frigorífico:

O frigorífico é pesado. Quando deslocar o frigorífico para limpar ou fazer a manutenção, certifique-se de que cobre o chão com um cartão ou uma placa cartão duro para evitar danificar o chão. Puxe sempre o frigorífico a direito quando o deslocar. Não o agite nem o desloque alternadamente de cada lado quando o tentar deslocar, pois pode danificar o chão.

#### Remover a embalagem

■ Remova a fita e os resíduos de cola das superfícies antes de ligar o frigorífico. Esfregue um pouco de detergente da loiça líquido sobre o adesivo com os seus dedos. Limpe com água quente e seque.

■ Não utilize instrumentos afiados, álcool, líquidos inflamáveis ou produtos de limpeza abrasivos para remover a fita ou a cola. Estes produtos podem danificar a superfície do seu frigorífico.

■ Elimine/recicle todos os materiais da embalagem.

#### Limpar antes de utilizar

Depois de remover todos os materiais da embalagem, limpe o interior do frigorífico antes de o utilizar. Consulte as instruções de limpeza na secção “Manutenção do frigorífico”.

#### Informação importante sobre prateleiras e coberturas de vidro:

Não limpe as prateleiras ou coberturas de vidro com água morna quando estiverem frias. As prateleiras e as coberturas podem partir se expostas a mudanças repentinas de temperatura ou a impacto, como choque.

O vidro temperado foi concebido para se estilhaçar em muitos pedaços minúsculos. Isto é normal. As prateleiras e coberturas de vidro são pesadas. Use as duas mãos para as retirar para evitar deixá-las cair.

## Requisitos de localização

### ⚠ AVISO



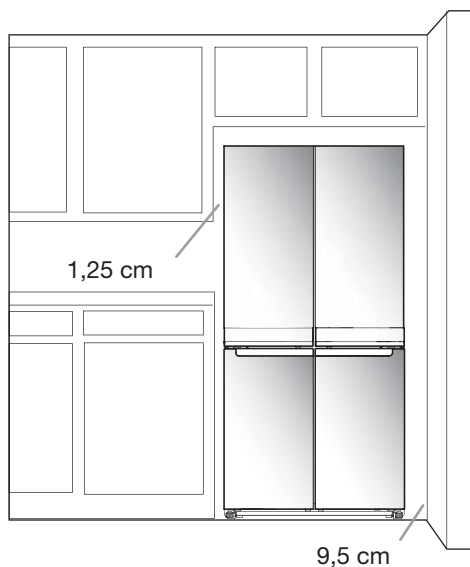
#### Perigo de explosão

Mantenha materiais e vapores inflamáveis, como gasolina, afastados do frigorífico.

O incumprimento pode resultar em morte, explosão ou morte.

Para garantir a ventilação adequada do seu frigorífico, deixe um espaço de 1,25 cm de cada lado e em cima. Deixe um espaço de 5 cm por trás do frigorífico. Se o seu frigorífico tiver um gerador de gelo, deixe um espaço extra na traseira para as ligações da água. Quando instalar o frigorífico junto a uma parede fixa, deixe um espaço mínimo de 9,5 cm entre o frigorífico e a parede para permitir a abertura da porta.

**NOTA:** Este frigorífico destina-se a ser utilizado num local com um intervalo de temperaturas entre um mínimo de 10°C e um máximo de 43°C. A temperatura preferida para o desempenho ideal, que reduz o consumo de eletricidade e proporciona uma refrigeração superior, situa-se entre os 15°C e os 32°C. É recomendado não instalar o frigorífico junto a uma fonte de calor, como um forno ou radiador.



## Requisitos elétricos

### ⚠ AVISO



#### Perigo de choque elétrico

Ligue a uma tomada ligada à terra.

Não retire o pino de terra.

Não utilize um adaptador.

Não utilize extensões.

O não cumprimento destas instruções pode resultar em morte, incêndio ou choque elétrico.

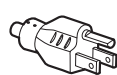
**IMPORTANTE:** A instalação e a ligação elétrica devem ser efetuadas por um técnico qualificado, em conformidade com as instruções do fabricante e com as normas de segurança locais.

- O frigorífico foi concebido para funcionar num circuito separado de 220-240 V, 10 A, 50/60 Hz.
- Certifique-se de que a tensão especificada na chapa de características corresponde à tensão da sua casa.
- Deve ser possível desligar o aparelho da alimentação elétrica, desligando a ficha da tomada ou através de um interruptor principal de dois polos, instalado a montante da tomada.
- Se o cabo de alimentação estiver danificado, tem de ser substituído pelo fabricante, seu agente de assistência ou pessoal com qualificações semelhantes para evitar um perigo.

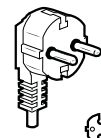
Antes de deslocar o frigorífico para a sua localização final, é importante certificar-se de que tem a ligação elétrica adequada:

#### Método de ligação à terra recomendado

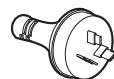
É necessário uma alimentação de corrente ligada à terra de 220-240 V 50 Hz, 220 V 60 Hz ou 230/240 V 50 Hz, apenas AC protegida por fusível de 10 A.



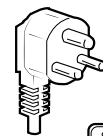
Tipo B



Tipo E e F



Tipo I



Tipo M



Tipo G

#### Para Austrália e Nova Zelândia:

O seu novo aparelho foi especialmente fabricado para cumprir todas as normas e condições australianas.

Algumas notações nas instruções de instalação podem referir-se aos requisitos elétricos noutros países, assim, chamamos a sua especial atenção para estas notas específicas.

O aparelho tem de ser ligado a uma tomada ligada à terra de 230/240 V 50 Hz, apenas AC, protegida por fusível de 10 A.

## Requisitos elétricos (apenas Grã-Bretanha e Irlanda)

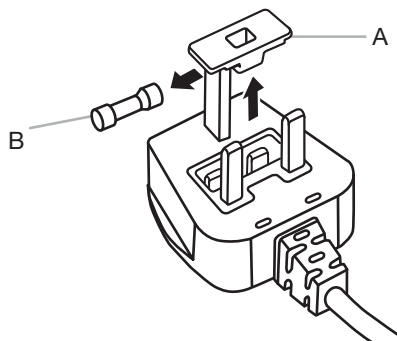
**IMPORTANTE:** Este frigorífico tem de ser ligado à terra.

### Substituição do fusível

Se o cabo de alimentação deste frigorífico estiver equipado com uma ficha com fusível de 13 A, BS1363A, para substituir o fusível neste tipo de fichas, utilize um fusível aprovado pela A.S.T.A. para o tipo BS 1362 e proceda da seguinte forma:

1. Retire a cobertura do fusível (A) e o fusível (B).
2. Instale um fusível de 13 A de substituição na cobertura do fusível.
3. Volte a inserir o fusível e a respetiva cobertura na ficha.

**IMPORTANTE:** A cobertura do fusível tem de ser reinstalada substituir um fusível. Se a cobertura for perdida, a ficha não pode ser utilizada até ser instalada uma cobertura de substituição adequada. Uma substituição correta é identificada pelo inserto colorido ou a “palavra” da cor gravada na base da ficha. As coberturas de fusível de substituição estão disponíveis na sua loja de produtos elétricos local.



A. Tampa do fusível

B. Fusível

### Para a República da Irlanda (apenas):

A informação dada para a Grã-Bretanha aplica-se frequentemente, mas também é usado um terceiro tipo de ficha e tomada, de 2 pinos, com ligação à terra lateral.

### Tomada/ficha (válido para os dois países):

Se a ficha instalada não for adequada para a tomada, contacte o Serviço Pós-Venda para mais instruções. Não tente mudar a ficha sozinho. Este procedimento tem de ser realizado por um técnico qualificado em conformidade com as instruções do fabricante e as normas de segurança em vigor.

## Temperatura

Este frigorífico foi concebido para funcionar em ambientes com uma temperatura compreendida entre os seguintes intervalos, de acordo com a classe climática indicada na chapa de características. O frigorífico pode não funcionar corretamente se for deixado durante um longo período de tempo a uma temperatura fora do intervalo especificado.

**NOTA:** É recomendado não instalar o frigorífico junto a uma fonte de calor, como um forno ou radiador.

Classe climática	Temp. amb. (°C)	Temp. amb. (°F)
SN	De 10 a 32	De 50 a 90
N	De 16 a 32	De 61 a 90
ST	De 16 a 38	De 61 a 100
T	De 16 a 43	De 61 a 110

## Retirar e voltar a colocar as portas do frigorífico

**NOTA:** Meça a largura da abertura da porta para ver se necessita de retirar as portas do frigorífico para o colocar dentro de casa. Se for necessário retirar a porta, consulte as seguintes instruções.

**IMPORTANTE:** Se o frigorífico tiver sido instalado anteriormente e o estiver a retirar de casa, desligue o controlo do frigorífico antes de começar a retirar as portas. Desligue o frigorífico da tomada ou desligue a corrente elétrica. Retire os alimentos e a porta ajustável ou os compartimentos de arrumação das portas.

Reúna as ferramentas necessárias e leia todas as instruções antes de retirar as portas.

**FERRAMENTAS NECESSÁRIAS:** Chave de caixa de 6 mm, chave de caixa de 5 mm e chave Phillips n.º 2.

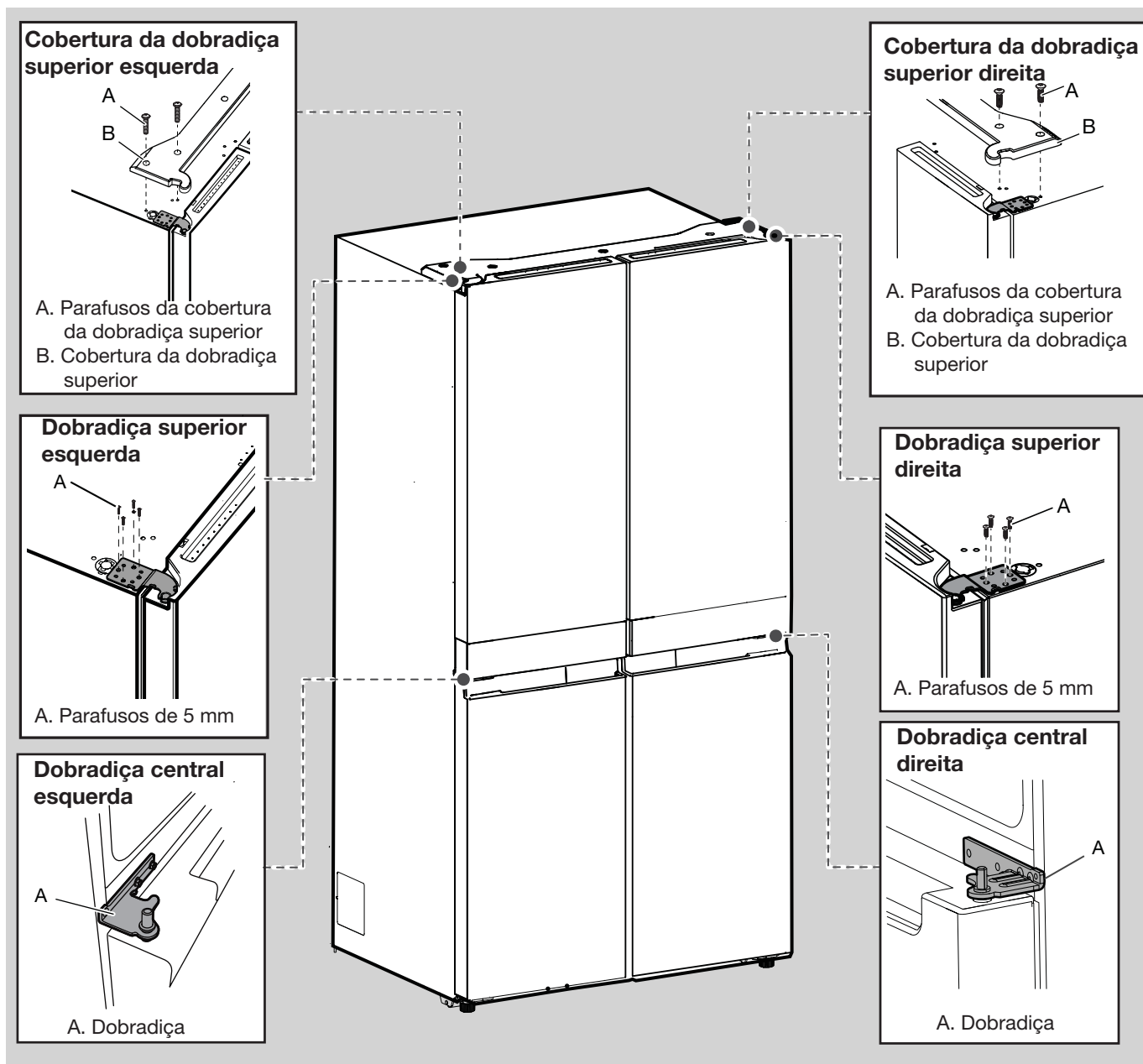


### AVISO

Perigo de choque elétrico

Desligue da corrente antes de retirar as portas.

Não seguir esta instrução pode resultar em morte ou choque elétrico.





## **⚠ AVISO**

### **Perigo de peso excessivo**

Utilize duas ou mais pessoas para elevar a porta do frigorífico.

Não seguir esta instrução pode resultar em lesões nas costas ou outros ferimentos.

### **Retirar as portas do frigorífico**

## **⚠ AVISO**



### **Perigo de choque elétrico**

Desligue da corrente antes de retirar as portas.

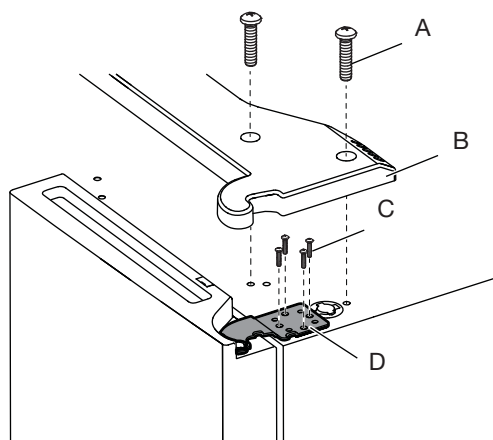
Não seguir esta instrução pode resultar em morte ou choque elétrico.

### **Retirar a porta do lado direito**

1. Desligue o frigorífico da tomada ou desligue a corrente elétrica.
2. Mantenha as portas do frigorífico fechadas até estar pronto para as elevar livremente do armário.

**NOTA:** Proporcione um suporte adicional para a porta do frigorífico enquanto as dobradiças estiverem a ser retiradas. Não dependa nos ímãs das juntas da porta para segurarem a porta no lugar enquanto estiver a trabalhar.

3. Com uma chave Phillips retire a cobertura da dobradiça superior.
4. Com uma chave de caixa de 5 mm retire os quatro parafusos da dobradiça superior e coloque de lado.



A. Parafuso da cobertura da dobradiça superior  
B. Cobertura da dobradiça superior

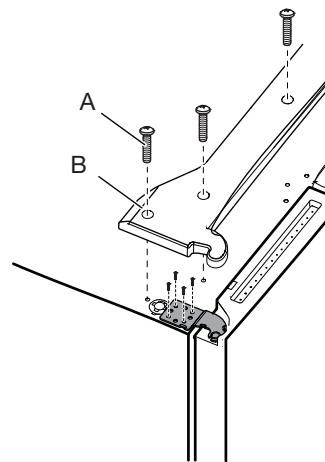
C. Parafusos de 5 mm  
D. Dobradiça superior

5. Eleve a porta do frigorífico do pino da dobradiça central. A dobradiça superior sai com a porta.

### **Retirar a porta do lado esquerdo**

**IMPORTANTE:** A cablagem para a UI passa pela dobradiça da porta do lado esquerdo, por isso, tem de ser desligada antes de retirar a porta.

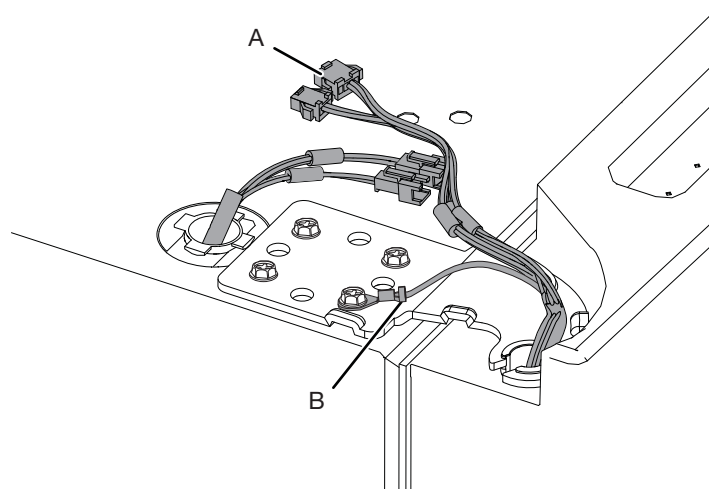
1. Com uma chave Phillips retire a cobertura da dobradiça superior.



A. Parafuso da cobertura da dobradiça superior  
B. Cobertura da dobradiça superior

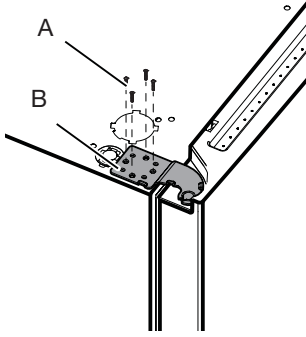
2. Desligue as duas fichas da cablagem localizadas por cima da dobradiça da porta.

- Agarre nos dois lados das fichas. Com o polegar esquerdo pressione para soltar a lingueta e puxe para separar as secções das fichas.



A. Ficha da cablagem  
B. Conector de terra

- Com uma chave de caixa de 5 mm retire os quatro parafusos internos da dobradiça superior e coloque de lado.



A. Parafusos de 5 mm  
B. Dobradiça superior

**NOTA:** Proporcione um suporte adicional para a porta do frigorífico enquanto as dobradiças estiverem a ser retiradas. Não dependa nos ímãs das juntas da porta para segurarem a porta no lugar enquanto estiver a trabalhar.

- Eleve a porta do frigorífico do pino da dobradiça inferior. A dobradiça superior sai com a porta.

**NOTA:** Pode ser necessário retirar as dobradiças inferiores e retirar os pés para passar o frigorífico pela porta.

- Apenas se for necessário, use uma chave de caixa de 6 mm e uma chave Phillips n.º 2 para retirar a dobradiça central.

#### Voltar a colocar a porta do frigorífico do lado direito

- Coloque a porta do lado direito sobre o pino da dobradiça central.
- Insira o pino da dobradiça superior no orifício aberto no topo da porta do frigorífico.
- Com uma chave de caixa de 5 mm fixe a dobradiça ao armário. Não aperte os parafusos totalmente.

#### Voltar a colocar a porta do frigorífico do lado esquerdo

- Coloque a porta do lado esquerdo sobre o pino da dobradiça central.
- Com uma chave de caixa de 5 mm fixe a dobradiça ao armário. Não aperte os parafusos totalmente.
- Volte a ligar a cablagem elétrica.
  - Ligue as duas secções da ficha da cablagem.
  - Volte a ligar o fio de terra ao parafuso da dobradiça.

#### Passos finais

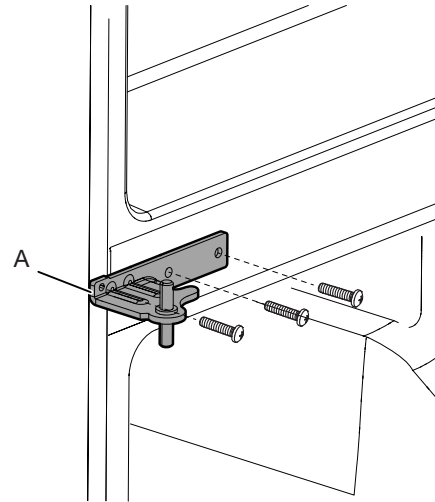
- Aperte totalmente os oito parafusos de 5 mm.
- Volte a colocar as coberturas das dobradiças superiores.

## Retirar e voltar a colocar a porta do congelador/congelação flexível

- Mantenha as portas do congelador fechadas até estar pronto para as elevar livremente do armário.

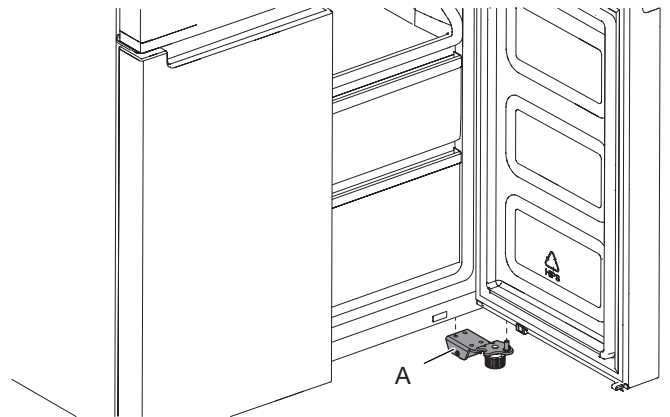
**NOTA:** Proporcione um suporte adicional para a porta do congelador enquanto as dobradiças estiverem a ser retiradas. Não dependa nos ímãs das juntas da porta para segurarem a porta no lugar enquanto estiver a trabalhar.

- Utilize uma chave Phillips n.º 2 e uma chave de caixa de 6 mm para retirar a dobradiça central do armário.



A. Dobradiça central

- Eleve a porta do congelador do pino da dobradiça inferior.



A. Dobradiça inferior

## ⚠ AVISO



### Perigo de choque elétrico

Ligue a uma tomada ligada à terra.

Não retire o pino de terra.

Não utilize um adaptador.

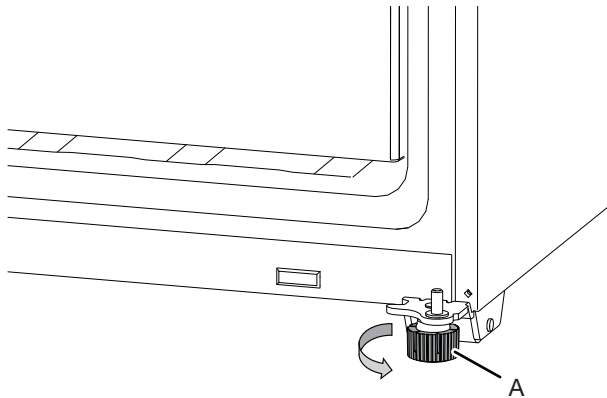
Não utilize extensões.

O não cumprimento destas instruções pode resultar em morte, incêndio ou choque elétrico.

1. Ligue a uma tomada ligada à terra.
2. Volte a colocar todas as peças amovíveis e os alimentos nas gavetas.

## Nivelar o frigorífico

1. Desloque o frigorífico para a sua localização final.
2. Com a mão rode e trave os pés. Rode-os para a esquerda até os roletes estarem afastados do chão e os dois pés de travagem estarem bem encostados ao chão. Isto evita que o frigorífico deslize para a frente quando abrir as portas.



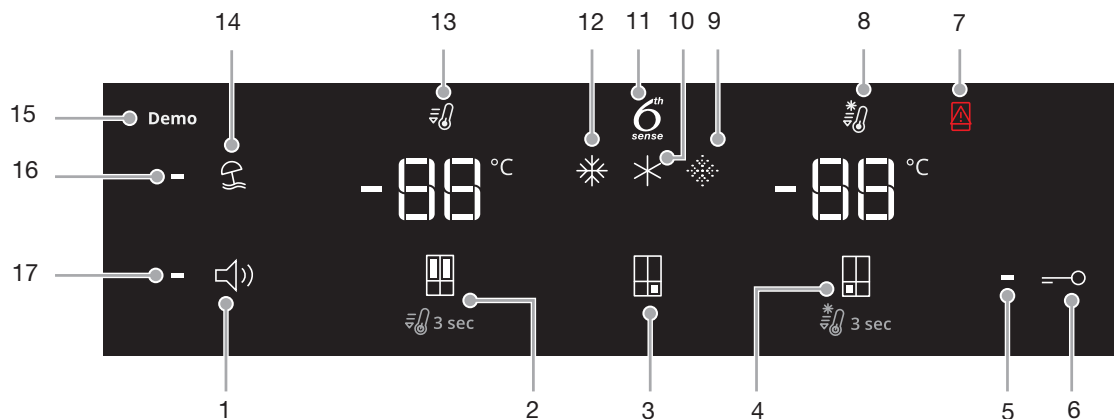
A. Pés de travagem

**IMPORTANTE:** Se necessitar de fazer mais ajustes nos pés de travagem, tem de os rodar as mesmas vezes para manter o frigorífico nivelado.

3. Utilize um nível para se certificar de que o frigorífico está nivelado de lado a lado e da frente para trás.

## Utilizar os controlos

Os controlos ativáveis por toque encontram-se na porta do lado esquerdo. O painel de controlo inclui informação sobre os vários botões e indicadores. Os indicadores da temperatura do frigorífico e do congelador exibem as últimas temperaturas reguladas.



1. Botão para ligar/desligar o som
2. Botão da temperatura do frigorífico (mantenha durante 3 s para arrefecimento rápido)
3. Botão de predefinição da temperatura da congelação flexível (apenas com WQ9 B1L, 6WM591NIHAS e WQ70900SXX)
4. Botão da temperatura do congelador (mantenha durante 3 s para congelação rápida)
5. Indicador de bloqueio do teclado
6. Botão de bloqueio do teclado
7. Indicador de porta aberta
8. Indicador de congelação rápida
9. Indicador de congelação fraca (apenas com WQ9 B1L, 6WM591NIHAS e WQ70900SXX)
10. Indicador de congelação suave (apenas com WQ9 B1L, 6WM591NIHAS e WQ70900SXX)
11. Indicador 6th Sense
12. Indicador de congelação tradicional (apenas com WQ9 B1L, 6WM591NIHAS e WQ70900SXX)
13. Indicador de refrigeração rápida
14. Botão do modo férias
15. Indicador do modo de demonstração (apenas com WQ9 B1L, 6WM591NIHAS e WQ70900SXX)
16. Indicador do modo férias
17. Indicador do som

O painel de controlo desliga automaticamente após um minuto de inatividade. Para ligar o painel de controlo prima uma tecla qualquer.

### - Visualizar e ajustar as temperaturas reguladas

#### Ajustar a temperatura dos compartimentos do frigorífico e do congelador:

Para sua comodidade, os controlos do frigorífico e do congelador são predefinidos de fábrica.

Quando instalar o frigorífico pela primeira vez, certifique-se de os controlos estão ainda regulados para os valores recomendados. Os valores recomendados de fábrica são 3°C para o frigorífico e -18°C para o congelador.

Ao premir o botão da temperatura do frigorífico e do congelador irá alternar pelos valores definidos da temperatura em Celsius (°C).

#### IMPORTANTE:

- Aguarde 24 horas até colocar alimentos no frigorífico. Se colocar alimentos antes de o frigorífico ter arrefecido completamente, os alimentos podem estragar-se.  
**NOTA:** Ajustar para uma temperatura inferior à recomendada não irá arrefecer os compartimentos mais rapidamente.
- Se a temperatura estiver demasiado alta ou baixa no frigorífico ou no congelador, antes de ajustar os controlos, verifique primeiro as aberturas de ventilação para se certificar de que não estão bloqueadas.
- A definição recomendada deve ser a correta para a utilização doméstica normal. Os controlos estão definidos corretamente quando o leite ou o sumo estiver à temperatura desejada e o gelado estiver firme.  
**NOTA:** Áreas como uma garagem, cave ou alpendre podem ter uma humidade mais alta ou temperaturas extremas. Pode ter de ajustar uma temperatura diferente das definições recomendadas para ajustar o aparelho a estas condições.
- Aguarde pelo menos 24 horas entre ajustes. Volte a verificar as temperaturas antes de efetuar outros ajustes.

### 6<sup>th</sup> Sense Fresh Lock e controlo da congelação

O sensor 6<sup>th</sup> SENSE Fresh Lock garante um controlo preciso e consistente da temperatura para manter os alimentos frescos durante mais tempo, da forma mais natural. Assim que for detetada uma variação de temperatura, o sensor ativa um compressor que restaura rapidamente a temperatura original.

O sensor de congelação 6<sup>th</sup> SENSE minimiza as flutuações da temperatura no congelador graças a um sistema de gestão da temperatura inovador. As queimaduras do congelador são reduzidas preservando a qualidade e a cor dos alimentos.

#### Definição de congelação flexível (apenas com WQ9 B1L, 6WM591NIHAS e WQ70900SXX)

A função de congelação flexível permite-lhe alterar a temperatura predefinida para o compartimento de congelação flexível.

Símbolo	Função	Temperatura
	Congelador tradicional	-18°C
	Congelador suave	-12°C
	Congelador fraca	-7°C

\* Para ativar/desativar a definição mais fria (-20°C), prima o botão de predefinição da temperatura da congelação flexível durante 3 segundos.

#### Ajustar a definição de multitemperatura



- Congelador tradicional (-18°C): Alimentos já congelados e alimentos frescos (máx. 12 meses)
- Congelador suave (-12°C): Alimentos já congelados (máx. 1 mês)
- Congelador fraca (-7°C): Alimentos já congelados (máx. 1 semana)

Quando ajustar os valores predefinidos da temperatura, utilize a seguinte tabela como guia:

CONDIÇÃO	AJUSTE DA TEMPERATURA
Frigorífico demasiado frio	Definição do frigorífico 1° mais alta
Frigorífico demasiado quente	Definição do frigorífico 1° mais baixa
Congelador demasiado frio	Definição do congelador 1° mais alta
Congelador demasiado quente/muito pouco gelo	Definição do congelador 1° mais baixo



### **Refrigeração rápida**

A função de refrigeração rápida ajuda em períodos de grande utilização do frigorífico, grandes cargas de alimentos ou temperaturas ambiente temporariamente altas.

- Para ativar a função de refrigeração rápida, mantenha premido o botão de temperatura do frigorífico  durante 3 segundos. Quando a função estiver ativada, o ícone de refrigeração rápida estará aceso. A função de refrigeração rápida fica ativada durante 2 horas, a não ser que seja desligada manualmente.
- Para desligar manualmente a função de refrigeração rápida, mantenha premido o botão de temperatura do frigorífico  durante 3 segundos. O ícone de refrigeração rápida apaga-se quando a função não está ativada.
- Ao ajustar a temperatura do frigorífico desliga automaticamente a função de refrigeração rápida.

### **Congelação rápida**

A quantidade de alimentos frescos (em kg) que é possível congelar em 24 horas encontra-se indicada na chapa de característica.

- Prima o botão de temperatura do congelador  durante 3 segundos (até o indicador de congelação rápida se acender), 24 horas antes de colocar alimentos frescos no congelador. Depois de colocar alimentos frescos no congelador, normalmente é suficiente ter a função de congelação rápida ativada durante 24 horas. Depois de 50 horas, a função de congelação rápida é desativada automaticamente.
- Para desligar manualmente a função de congelação rápida, mantenha premido o botão de temperatura do congelador  durante 3 segundos. O ícone de congelação rápida apaga-se.
- Ao ajustar a temperatura do congelador desliga automaticamente a função de congelação rápida.

### **Modo férias**

Este modo foi concebido para evitar que o seu aparelho desperdice energia durante os tempos em que não estiver em utilização normal (por exemplo, quando estiver em férias).

Selecionando esta função, a temperatura do compartimento do frigorífico (RC) será definida automaticamente para o valor mais quente.

- Para utilizar o modo férias, prima o botão do modo até o indicador do modo férias se acender no visor.
- Para sair do modo férias, prima o botão até o ícone não estar aceso no visor.
- Ao ajustar a temperatura do frigorífico desliga automaticamente a função do modo férias.

**IMPORTANTE:** Se este modo estiver selecionado, todos os alimentos e bebidas têm de ser retirados do compartimento do frigorífico.

### **Ligar/desligar o som**

Prima o botão para ativar/desativar o feedback de som.

### **Bloqueio do teclado**

- Prima e mantenha o botão de bloqueio premido durante 3 segundos para ativar a função de bloqueio.
- Para desativar o bloqueio, mantenha o botão de bloqueio durante premido 3 segundos.

A função de bloqueio ignora todas as interações com o painel de controlo até o utilizador desbloquear o painel de controlo. Esta função destina-se a evitar a alteração acidental das definições.

### **Modo de demonstração (apenas com WQ9 B1L, 6WM591NIHAS e WQ70900SXX)**


Este modo é utilizado quando o frigorífico está em exposição numa loja de retalho ou se desejar desligar a refrigeração e desativar todas as outras funções (exceto a iluminação interior).

O modo de demonstração pode ser utilizado durante umas férias prolongadas. Consulte a secção “Cuidados em férias e em mudança” para consultar os passos adequados para deixar o frigorífico neste modo durante longos períodos de tempo.

- Se ligar o modo de demonstração, o ícone de “demonstração” irá acender-se no visor.
- Entre ou saia do modo de demonstração mantendo o botão para ligar ou desligar o som e o botão de bloqueio premidos em simultâneo durante 3 segundos.

### **Funções adicionais**

#### **Alarme de porta aberta**

- A função de alarme de porta aberta emite um alarme e ativa a intermitência do ícone “Porta aberta”  quando uma das quatro portas estiver aberta durante 2 minutos ou mais.
- O alarme repete-se a cada 5 minutos. Feche todas as portas para o desligar.

**NOTA:** Para silenciar o alarme enquanto as portas estiverem abertas, como durante a limpeza do interior do frigorífico, toque um botão qualquer no painel de controlo. O som de alarme é desligado temporariamente mas o ícone de porta aberta continua visível no painel de controlo.

### **Acender o frigorífico**

O frigorífico tem uma luz interior que se acende quando uma porta é aberta.

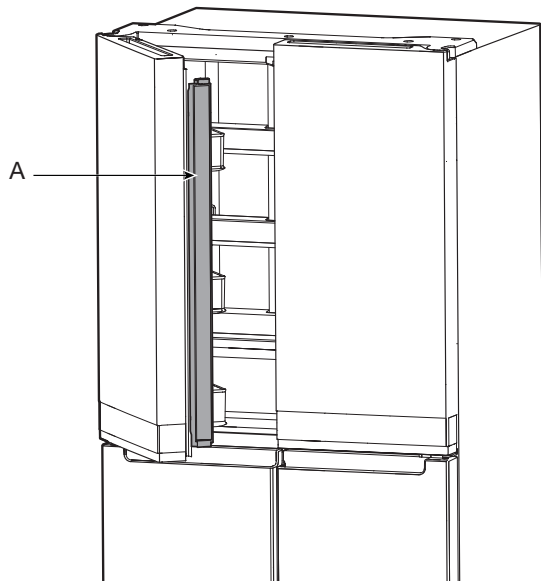
**NOTA:** A luz é de LED e não necessita de ser substituída. Se o LED não se acender quando a porta é aberta, contacte a assistência para substituir a luz.

# UTILIZAÇÃO DO FRIGORÍFICO

## Abrir e fechar as portas

O compartimento do frigorífico tem duas portas. As portas podem ser abertas e fechadas separadamente ou em conjunto. A porta do lado esquerdo tem uma junta articulada na vertical.

- Quando a porta do lado esquerdo é aberta, a junta articulada dobra automaticamente para dentro para que não fique no caminho.
- Quando as duas portas estão fechadas, a junta articulada forma automaticamente uma junta entre as duas portas.

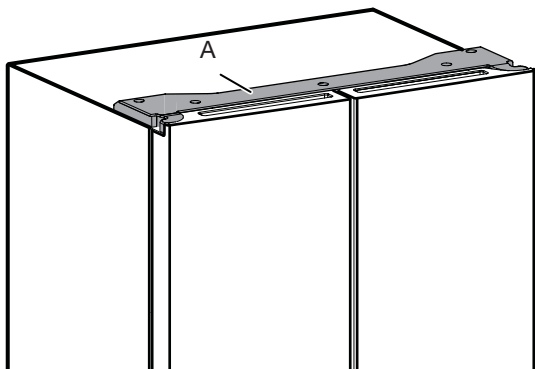


A. Vedação articulada

O interruptor da porta do compartimento do frigorífico encontra-se no topo esquerdo e direito da cobertura da dobradiça.

- Para a zona do congelador e multitemperatura, o interruptor da porta encontra-se na dobradiça inferior.
- O interruptor da porta usa um íman para detetar a abertura/o fecho da porta.
- Certifique-se de que não há ímanes ou dispositivos eletrónicos (altifalante, Coolvox®, etc.) num raio de 7,62 cm da cobertura da dobradiça.

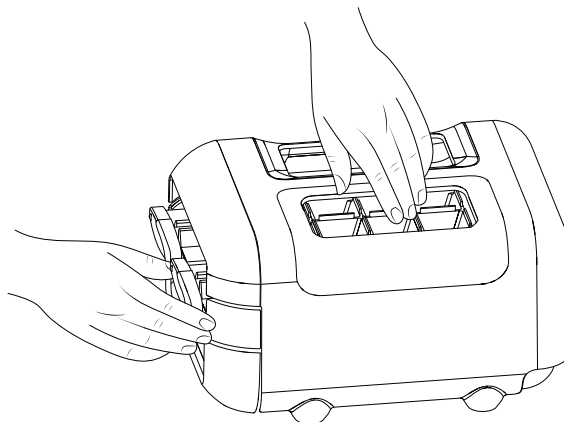
**NOTA:** A luz não se acende se a abertura da porta não for detetada.



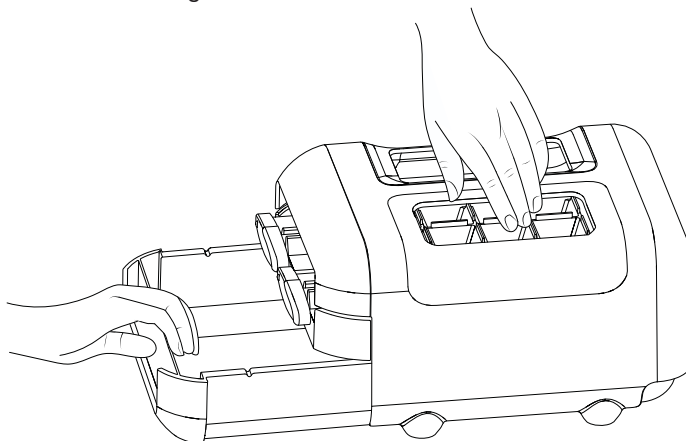
A. Cobertura da dobradiça

## Gerador de gelo

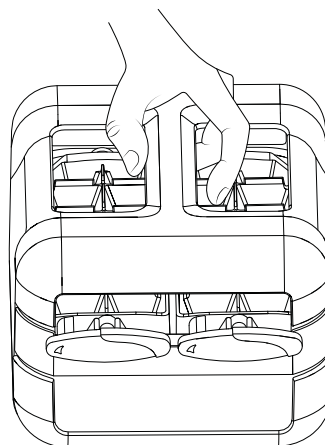
- Para fazer gelo, encha o tabuleiro de gelo com água purificada e coloque o gerador de gelo manual na prateleira superior do congelador. Aguarde até que o gelo se forme e assim que estiver pronto, rode o manipulador para a direita e ejeete os cubos de gelo para o recipiente de gelo.



- Eleve ligeiramente o recipiente do gelo e puxe-o para aceder aos cubos de gelo.



O conjunto do gerador de gelo manual pode ser retirado do congelador quando não é necessário gelo, para haver mais espaço no congelador.



## Armazenamento de alimentos

### Armazenamento de ovos

É recomendado armazenar os ovos a uma temperatura consistente para manter a frescura, assim, é melhor mantê-los no frigorífico na prateleira do meio.

# PRATELEIRAS, COMPARTIMENTOS E GAVETAS

## Informação importante sobre prateleiras e coberturas de vidro:

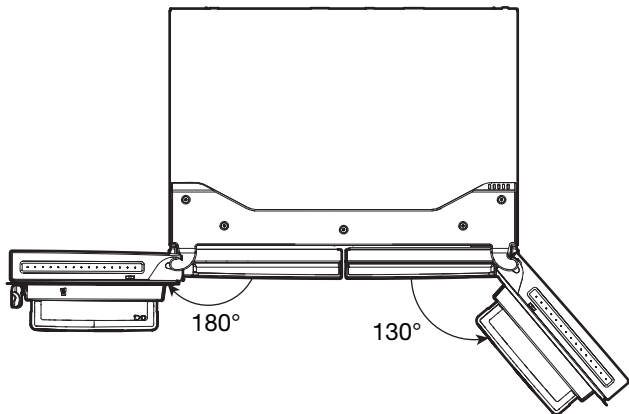
Não limpe as prateleiras ou coberturas de vidro com água morna quando estiverem frias. As prateleiras e as coberturas podem partir se expostas a mudanças repentinas de temperatura ou a impacto, como choque.

O vidro temperado foi concebido para se estilhaçar em muitos pedaços minúsculos. Isto é normal. As prateleiras e coberturas de vidro são pesadas. Use as duas mãos para as retirar para evitar deixá-las cair.

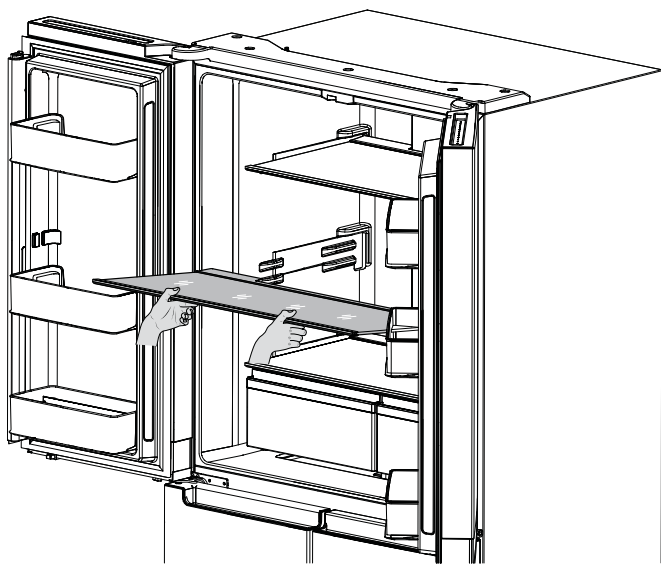
## Ajuste da altura das prateleiras

A altura das prateleiras pode ser ajustada mudando a sua localização do suporte inferior para o superior e vice-versa.

- Abra a porta do lado direito ao máximo.
- Abra a porta do lado esquerdo ao máximo e eleve a porta para obter 180°.



- Retire a prateleira do frigorífico e coloque-a na posição desejada.



- Certifique-se de que a prateleira está assente nos respetivos suportes.

## Prateleiras e respetivas estruturas

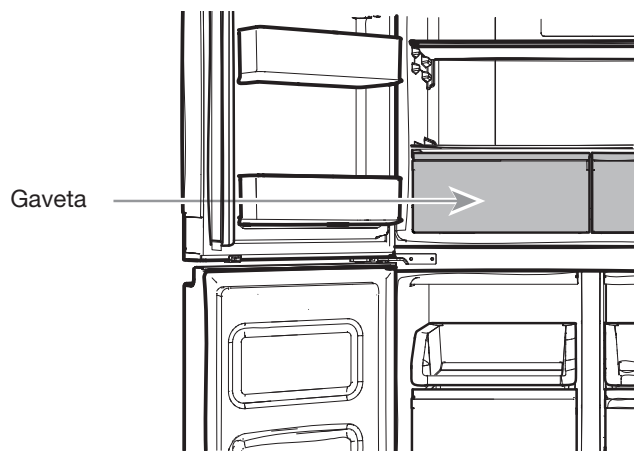
As prateleiras no frigorífico são ajustáveis para se adequem às suas necessidades de armazenamento individuais.

Armazenar os alimentos similares em conjunto no seu frigorífico e ajustar as prateleiras para diferentes alturas, facilita a localização do alimento correto. Também reduz a quantidade de tempo que a porta do frigorífico está aberta, poupando energia.

### Para retirar e voltar a colocar as prateleiras:

1. Abra a porta do lado direito e do lado esquerdo ao máximo e eleve a porta para obter 180°.
2. Retire a prateleira do meio ou superior, levantando-a dos respetivos suportes. A seguir, puxe a prateleira para a frente e incline para baixo para uma posição vertical. Vire a prateleira para formar um ângulo e retire-a do frigorífico.
3. Retire a prateleira inferior, levantando-a dos respetivos suportes. A seguir, puxe a prateleira para a frente e incline para cima para uma posição vertical. Vire a prateleira para formar um ângulo e retire-a do frigorífico.
4. Volte a colocar as prateleiras do meio e superior, inserindo-as no frigorífico em ângulo, com a frente da prateleira para baixo. Levante a parte da frente da prateleira e deslize-a até a parte de trás assentar nos suportes. Baixe a parte da frente da prateleira e certifique-se de que esta está na posição correta.
5. Volte a colocar a prateleira inferior, inserindo-a no frigorífico em ângulo, com a prateleira para cima. Baixe a prateleira e deslize-a até a parte de trás assentar nos suportes. Baixe a parte da frente da prateleira e certifique-se de que esta está na posição correta.

## Gavetas

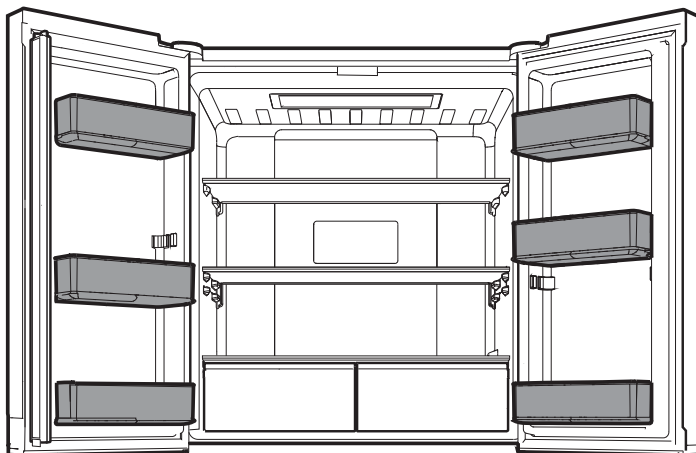


### Para retirar e voltar a colocar as gavetas:

1. Agarre na pega da gaveta e puxe-a para fora a direito até parar. Levante a gaveta da guia inferior.
2. Volte a colocar a gaveta, posicionando-a sobre a guia inferior e empurrando-a para além do batente, até ficar em posição.

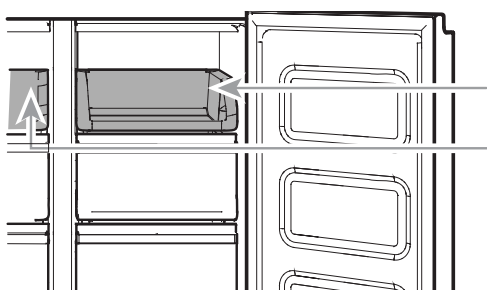
## Compartimentos da porta do frigorífico

Os compartimentos da porta do frigorífico são ajustáveis para se adequar às suas necessidades de armazenamento individuais.



## Compartimentos de armazenamento do congelador

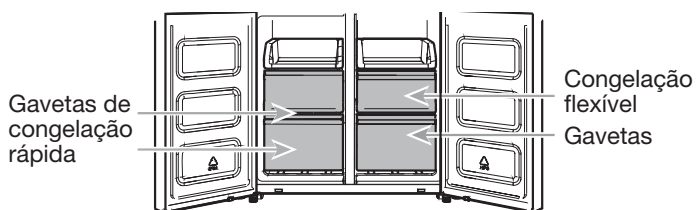
### Tabuleiro de congelação



Tabuleiro de congelação

O tabuleiro de congelação é útil para aceder facilmente a produtos usados com frequência ou para guardar sobras ou itens pequenos.

### Gavetas do congelador



Gavetas de congelação rápida

Congelação flexível  
Gavetas

### Compartimento de congelação rápida

- As gavetas de congelação rápida permitem-lhe guardar alimentos de grandes dimensões.
- A opção de congelação rápida permite-lhe guardar todos os seus alimentos congelador de forma segura e transparente.

### Compartimento de congelação flexível (apenas com WQ9 B1L, 6WM591NIHAS e WQ70900SXX)

O compartimento de congelação flexível permite-lhe seleccionar um de três níveis de temperatura do congelador:  $-7^{\circ}\text{C}$ ,  $-12^{\circ}\text{C}$  e  $-18^{\circ}\text{C}$  para proporcionar as melhores condições de armazenamento para diferentes tipos de alimentos.

Para a máxima capacidade do congelador, pode retirar a gaveta do congelador e expor a prateleira do congelador.

### Para retirar a gaveta superior:

1. Agarre na pega da gaveta e puxe-a para fora a direito até parar. Levante a gaveta da guia inferior.
2. Volte a colocar a gaveta, posicionando-a sobre a guia inferior e empurrando-a para além do batente, até ficar em posição.

### Prateleira do congelador (apenas com WQ9 E1L e WQ9 B1L)

Para maximizar a capacidade do congelador, pode retirar a gaveta central e expor a prateleira por baixo. Pode então armazenar na gaveta superior e colocar alimentos diretamente em cima da prateleira.

## Referência áudio

### Atribuição de som

Nome do som	Exemplos de utilização
Energia ligada	O sistema de refrigeração é ligado de cada vez que o produto é ligado à corrente.
Pressão de tecla	O utilizador prime um botão válido.
Inálido (erro)	O utilizador prime dois ou mais botões válidos ao mesmo tempo. Interrupção de contagem decrescente para premir e manter botões.
Engatar	Confirmação de entrada num modo qualquer.
Desativar	Confirmação de saída de um modo qualquer.
Alerta	Alerta de porta aberta.

Esta tabela destina-se apenas a referência rápida. Consulte as secções correspondentes para mais detalhes. Em caso de inconsistência, prevalecem os detalhes da secção.

## Acessórios

Para encomendar acessórios, contacte o revendedor ao qual comprou o frigorífico.

## Assistência ou serviço

Antes de chamar a assistência ou o serviço, verifique a secção "Resolução de problemas". Pode poupar-lhe o custo de um pedido de assistência. Se ainda necessitar de ajuda, siga as instruções em baixo.

### Se necessitar de peças de substituição

Para localizar as peças de substituição específicas de fábrica na sua área, contacte o revendedor ao qual comprou o frigorífico.

### Garantia

Contacte o revendedor ao qual comprou o frigorífico para obter informação sobre a garantia.

### Guarde este manual e o recibo da compra juntos para referência futura. Tem de apresentar prova da data de compra ou de instalação para o serviço de garantia.

Anote a informação seguinte sobre o aparelho para o ajudar a obter assistência ou serviço, se alguma vez o necessitar. Terá de saber o número de modelo e o número de série completos. Pode encontrar esta informação na etiqueta de modelo e número de série, localizada na parede interior do compartimento do frigorífico.

Nome do revendedor \_\_\_\_\_

Número de série \_\_\_\_\_

Endereço \_\_\_\_\_

Número de telefone \_\_\_\_\_

Número do modelo \_\_\_\_\_

Data de compra \_\_\_\_\_



# MANUTENÇÃO DO FRIGORÍFICO

## Limpeza

**AVISO**



**Perigo de explosão**

Use um produto de limpeza não inflamável.

O incumprimento pode resultar em morte, explosão ou morte.

Todas as secções do frigorífico, do congelador e de congelação flexível (apenas com WQ9 B1L, 6WM591NIHAS e WQ70900SXX) descongelam automaticamente. No entanto, limpe todas as secções cerca de uma vez por mês para evitar a formação de odores. Limpe derramamentos de imediato.

### Limpeza exterior

Consulte a informação de limpeza exterior específica para o seu modelo.

#### Estilo 1 — Porta lisa

**IMPORTANTE:** A danificação do acabamento liso devido à utilização errada de produtos de limpeza ou à utilização de produtos de limpeza não recomendados não é coberta pela garantia. Instrumentos afiados ou rombos irão deteriorar o acabamento.

UTILIZAR	NÃO UTILIZAR
✓ Pano macio e limpo	<ul style="list-style-type: none"> <li>✗ Panos abrasivos</li> <li>✗ Toalhetes de papel ou jornais</li> <li>✗ Esfregões de palha-de-aço</li> </ul>
✓ Água morna com sabão, com um detergente suave	<ul style="list-style-type: none"> <li>✗ Pós ou líquidos abrasivos</li> <li>✗ Sprays limpa-vidros</li> <li>✗ Amoníaco</li> <li>✗ Produtos de limpeza à base de ácido ou vinagre</li> <li>✗ Produtos de limpeza para fornos</li> <li>✗ Líquidos inflamáveis</li> </ul>

**NOTA:** Os toalhetes de papel riscam e podem manchar a camada brilhante da porta pintada. Para evitar possíveis danos, use apenas panos macios e limpos para polir e limpar as portas.

#### Estilo 2 — Aço inoxidável

##### IMPORTANTE:

- Utilize apenas panos e produtos de limpeza recomendados para aço inoxidável. A danificação do acabamento de aço inoxidável devido à utilização errada de produtos de limpeza ou à utilização de produtos de limpeza não recomendados não é coberta pela garantia.
- Evite expor os aparelhos em aço inoxidável a elementos cáusticos ou corrosivos, como ambientes com nível elevado de sal e humidade. Os danos devido à exposição a estes elementos não são cobertos pela garantia.

UTILIZAR	NÃO UTILIZAR
✓ Pano macio e limpo	<ul style="list-style-type: none"> <li>✗ Panos abrasivos</li> <li>✗ Toalhetes de papel ou jornais</li> <li>✗ Esfregões de palha-de-aço</li> </ul>
✓ Água morna com sabão, com um detergente suave	<ul style="list-style-type: none"> <li>✗ Pós ou líquidos abrasivos</li> <li>✗ Amoníaco</li> <li>✗ Produtos de limpeza à base de ácido cítrico</li> <li>✗ Produtos de limpeza à base de ácido ou vinagre</li> <li>✗ Produtos de limpeza para fornos</li> </ul>
✓ Em caso de muita sujidade, utilize apenas um produto de limpeza para aço inoxidável concebido para eletrodomésticos. Para encomendar o produto de limpeza, contacte o revendedor ao qual comprou o frigorífico.	<ul style="list-style-type: none"> <li>✗ O produto de limpeza para aço inoxidável destina-se a limpar apenas as partes em aço inoxidável. Não permita que o produto de limpeza para aço inoxidável e de polimento entre em contacto com qualquer parte de plástico, como peças de decoração, tampas dos dispensadores ou juntas das portas.</li> </ul>

#### Estilo 3 — Aço inoxidável resistente a dedadas

##### IMPORTANTE:

- Evite expor os aparelhos em aço inoxidável a elementos cáusticos ou corrosivos, como ambientes com nível elevado de sal e humidade. Os danos devido à exposição a estes elementos não são cobertos pela garantia.

UTILIZAR	NÃO UTILIZAR
✓ Pano macio e limpo	<ul style="list-style-type: none"> <li>✗ Panos abrasivos</li> <li>✗ Toalhetes de papel ou jornais</li> <li>✗ Esfregões de palha-de-aço</li> </ul>
✓ Água morna com sabão, com um detergente suave	<ul style="list-style-type: none"> <li>✗ Pós ou líquidos abrasivos</li> <li>✗ Sprays limpa-vidros</li> <li>✗ Amoníaco</li> <li>✗ Produtos de limpeza à base de ácido ou vinagre</li> <li>✗ Produtos de limpeza para fornos</li> <li>✗ Líquidos inflamáveis</li> </ul>

##### NOTAS:

- Se ocorrer contacto accidental, limpe a peça de plástico com uma esponja e água morna com detergente suave. Seque bem com um pano macio.
- Por um produto de limpeza ser líquido não quer dizer que não seja abrasivo. Muitos produtos de limpeza líquidos, formulados para serem suaves em ladrilhos e superfícies lisas, danificam, ainda assim, o aço inoxidável.
- O ácido cítrico descolora permanentemente o aço inoxidável.
- Para evitar danificar o acabamento do frigorífico em aço inoxidável:

**Não deixe que estas substâncias entrem em contacto com o acabamento:**

- ✗ Mostarda
- ✗ Sumo de tomate
- ✗ Molho Marinara
- ✗ Molhos à base de citrinos
- ✗ Produtos à base de citrinos

---

## Limpeza interior

---

1. Desligue o frigorífico da tomada ou desligue a corrente elétrica.
2. Lave à mão, enxague e seque bem as peças amovíveis e as superfícies interiores. Utilize uma esponja limpa ou um pano macio e um detergente suave em água morna.  
**NOTA:** Não utilize produtos de limpeza abrasivos ou agressivos, como spays limpa-vidros, esfregões, líquidos inflamáveis, ceras de limpeza, detergentes concentrados, lixívia ou detergentes que contenham derivados do petróleo, em peças plásticas, revestimentos interiores ou de portas ou juntas.
3. Ligue ou volte a ligar o frigorífico à corrente elétrica.

---

## Limpeza do condensador

---

Este frigorífico tem um condensador de ambos os lados do frigorífico. É normal sentir quente nos lados.

---

## Luzes

As luzes nos compartimentos do frigorífico e do congelador são LEDs, que não necessitam de ser substituídos. Se as luzes não acenderem quando a porta é aberta, contacte o revendedor ao qual comprou o frigorífico.

---

## Cuidados em férias e em mudança

---

### Férias

---

#### Se escolher deixar o frigorífico ligado quando estiver fora:

1. Consuma os alimentos perecíveis e congele os restantes.
2. Se o frigorífico tiver um gerador de gelo automático e estiver ligado à alimentação de água doméstica, desligue a alimentação de água ao frigorífico. Podem ocorrer danos materiais se a alimentação de água não for desligada.
3. Se tiver um gerador de gelo automático, desligue-o.
  - Prima o interruptor para desligar (O) o gerador de gelo da porta.
4. Esvazie o recipiente de gelo.

#### Se escolher desligar o frigorífico antes de sair:

**NOTA:** Coloque o frigorífico no modo de demonstração durante as férias. Consulte a secção “Utilizar os controlos”.

1. Retire todos os alimentos do frigorífico.
2. Se o frigorífico tiver um gerador de gelo automático:
  - Desligue a alimentação de água para gerador de gelo, pelo menos, 1 dia antes da data.
  - Quando a última carga de gelo cair, prima o interruptor para desligar (O) o visor no topo, no interior do frigorífico, dependendo do modelo.
3. Esvazie o recipiente de gelo.
4. Desligue os controlos da temperatura. Consulte a secção “Utilizar os controlos”.
5. Lave o frigorífico, limpe e seque bem.
6. Cole blocos de borracha ou madeira com fita aos topos das duas portas, para as manter abertas o suficiente para entrar ar. Isto evita a formação de odores e bolor.

---

## Mudança

---

Quando mudar o frigorífico para uma casa nova siga estes passos para o preparar para a mudança.


1. Se o frigorífico tiver um gerador de gelo automático:
  - Desligue a alimentação de água para gerador de gelo, pelo menos, 1 dia antes da data.
  - Desconecte a linha de água da traseira do frigorífico.
  - Quando a última carga de gelo cair, prima o interruptor para desligar (O) no gerador de gelo ou no controlo, dependendo do modelo.
2. Retire todos os alimentos do frigorífico e embale todos os alimentos congelados em gelo seco.
3. Esvazie o recipiente de gelo.
4. Desligue o frigorífico da tomada.
5. Lave, limpe e seque bem.
6. Retire todas as peças amovíveis, embrulhe-as bem e cole-as com fita para que não se desloquem e batam durante a mudança.
7. Dependendo do modelo, eleve a parte da frente do frigorífico para que se desloque mais facilmente ou levante os parafusos de nivelamento para que não riscuem o chão. Consulte as secções “Ajustar as portas” ou “Nivelar o frigorífico e fechar a porta”.
8. Mantenha as portas fechadas com fita adesiva e fixe o cabo de alimentação com fita à traseira do frigorífico.

Quando chegar à sua casa nova, coloque tudo de volta e consulte a secção “Instruções de instalação” para obter as instruções de preparação. Além disso, se o frigorífico tiver um gerador de gelo automático, lembre-se de voltar a ligar a alimentação de água ao frigorífico.

# RESOLUÇÃO DE PROBLEMAS

Tente primeiro as soluções aqui sugeridas para evitar uma possível chamada da assistência.

**⚠ AVISO**



**Perigo de choque elétrico**

**Ligue a uma tomada ligada à terra.**

**Não retire o pino de terra.**

**Não utilize um adaptador.**

**Não utilize extensões.**

**O não cumprimento destas instruções pode resultar em morte, incêndio ou choque elétrico.**

Sintoma	Causas possíveis	Solução
<b>Funcionamento do frigorífico</b>		
O frigorífico não funciona.	Verifique a alimentação elétrica.	Ligue o cabo de alimentação a uma tomada ligada à terra.
		Não utilize extensões.
		Certifique-se de que a tomada tem corrente. Ligue uma lâmpada para ver se a tomada está a funcionar.
		Reponha um disjuntor disparado. Substitua qualquer fusível queimado. <b>NOTA:</b> Se o problema continuar, contacte um electricista.
	Verifique os controlos.	Certifique-se de que os controlos estão ligados. Consulte a secção “Utilizar os controlos”.
	Instalação nova.	Aguarde 24 horas a seguir à instalação para deixar o frigorífico arrefecer totalmente. <b>NOTA:</b> Ajustar os controlos da temperatura para uma definição mais fria não irá arrefecer os compartimentos mais rapidamente.
	O controlo do frigorífico está no modo de demonstração (em alguns modelos).	Se o frigorífico estiver em modo de demonstração, a refrigeração está desligada e “Demo” está aceso no painel de controlo. Consulte a secção “Utilizar os controlos” para mais informações.
O motor parece funcionar demasiado.	Compressor e ventiladores de alta eficiência.	Os frigoríficos maiores, mais eficientes, funcionam durante mais tempo a velocidades mais baixas e mais eficientes energeticamente.
	A temperatura da divisão ou exterior está quente.	É normal o frigorífico funcionar durante mais tempo sob estas condições. Para um desempenho ideal, coloque o frigorífico num ambiente interior com a temperatura controlada. Consulte a secção “Requisitos de localização”.
	Foram introduzidas grandes quantidades de alimentos recentemente.	Alimentos mornos fazem com que o frigorífico funcione durante mais tempo até o ar arrefecer à temperatura desejada.
	A(s) porta(s) é(são) abertas com demasiada frequência ou durante muito tempo.	O ar morno que entra no frigorífico faz com que funcione durante mais tempo. Abra a porta com menos frequência.
	A porta do frigorífico ou a gaveta do congelador está aberta.	Certifique-se de que o frigorífico está nivelado. Consulte a secção “Nivelar o frigorífico e fechar a porta”. Não deixe alimentos ou recipientes a bloquear a porta.
	O controlo do frigorífico tem uma regulação demasiado fria.	Ajuste o controlo do frigorífico para uma regulação menos fria até ser atingida a temperatura desejada para o frigorífico.
	A junta da porta ou da gaveta está suja, desgastada ou partida.	Limpe ou substitua a junta. Fugas na vedação da porta fazem com que o frigorífico funcione durante mais tempo para manter as temperaturas desejadas.

# RESOLUÇÃO DE PROBLEMAS

Tente primeiro as soluções aqui sugeridas para evitar uma possível chamada da assistência.

Sintoma	Causas possíveis	Solução
As luzes não funcionam.	O frigorífico está equipado com iluminação LED e não necessita de ser substituída.	Se a alimentação de corrente do frigorífico estiver ligada e as luzes não se acenderem quando a porta ou gaveta for aberta, chame a assistência ou serviço.
	As portas estiveram abertas durante mais de 10 minutos.	Feche as portas e a gaveta para fazer um reset e abra para retomar a tarefa com iluminação.
	O interruptor da porta não deteta a abertura da porta.	Certifique-se de que não há ímãs ou dispositivos eletrónicos num raio de 7,62 cm (3") da cobertura da dobradiça.
A UI de controlo da temperatura não se acende.	A UI de controlo da temperatura entrou em hibernação.	Prima um botão qualquer na UI para acordar a UI de controlo da temperatura.
	Os botões da UI de controlo da temperatura não funcionam bem.	Tente desligar e voltar a ligar o frigorífico para que os botões façam reset. Se o problema continuar, chame a assistência ou o serviço.
	A UI de controlo da temperatura não recebe corrente elétrica.	Verifique o chicote de cabos na dobradiça da porta.
Desative para ajustar a definição na UI de controlo da temperatura.	A porta está aberta e é emitido o respetivo alarme.	Feche a porta.
<b>Ruído anormal</b>		
Para ouvir sons normais do frigorífico, consulte a secção Ajuda/FAQ do produto no website da marca e pesquise por "sons normais". Em baixo encontram-se listados alguns sons normais com explicações.		
O frigorífico parece barulhento.	O compressor no seu frigorífico novo regula a temperatura de forma mais eficiente, utilizando menos energia e funcionando mais silenciosamente.	Devido a esta redução do ruído de funcionamento, pode detetar ruídos não familiares que são normais.
O som do compressor funciona durante mais tempo.	Compressor e ventiladores de alta eficiência.	Os frigoríficos maiores, mais eficientes, funcionam durante mais tempo a velocidades mais baixas e mais eficientes energeticamente.
Pulsar/roncar	Ventiladores/compressor a ajustar-se para otimizar o desempenho durante o funcionamento normal do compressor.	Isto é normal.
Estouros	Contração/ expansão das paredes interiores, especialmente durante o arrefecimento inicial.	Isto é normal.
Sibilar/pingar	Fluxo de refrigerante ou de óleo no compressor.	Isto é normal.
Vibração	O frigorífico pode não estar estável.	Ajuste os parafusos de nivelamento e baixe os pés de nivelamento para tocar bem no chão. Consulte a secção "Nivelar o frigorífico e fechar a porta".
Chocalhar/bater	Movimento das linhas de água contra o armário do frigorífico ou de itens colocados no topo do armário do frigorífico.	Afaste a linha de água em excesso do armário do frigorífico ou aperte a tubagem ao armário. Consulte a secção "Ligar a alimentação de água" ou retire itens do topo do frigorífico.
Crepitar	Água a pingar no aquecedor durante o ciclo de descongelação.	Isto é normal.
Água a correr/gorgolejar	Pode ouvir-se quando o gelo derrete durante o ciclo de descongelação e a água corre para o recipiente de recolha.	Isto é normal.

# RESOLUÇÃO DE PROBLEMAS


Tente primeiro as soluções aqui sugeridas para evitar uma possível chamada da assistência.

Sintoma	Causas possíveis	Solução
<b>Temperatura e humidade</b>		
A temperatura está demasiado alta.	O frigorífico acabou de ser instalado.	Aguarde 24 horas a seguir à instalação para deixar o frigorífico arrefecer totalmente.
	Os controlos não estão ajustados corretamente para as condições envolventes.	Ajuste os controlos para uma definição mais fria. Verifique a temperatura após 24 horas. Consulte a secção “Utilizar os controlos”.
	A(s) porta(s) está(ão) aberta(s) ou não está(ão) fechada(s) completamente. Deixa entrar ar morno no frigorífico.	Minimize a abertura das portas e mantenha-as totalmente fechadas.
	Foi introduzida recentemente uma grande quantidade de alimentos.	Aguarde algumas horas para o frigorífico regressar à temperatura normal.
	O modo de demonstração está ligado.	Desligue o modo de demonstração. Consulte a secção “Utilizar os controlos”.
	O modo de férias está ligado.	Desligue o modo de férias. Consulte a secção “Utilizar os controlos”.
A temperatura está demasiado baixa no frigorífico/gaveta.	A(s) abertura(s) de ventilação do frigorífico está(ão) bloqueada(s).	Se a abertura de ventilação localizada a meio da traseira do compartimento do frigorífico estiver bloqueada por itens colocados diretamente à frente, o frigorífico fica demasiado frio. Afaste os itens da abertura de ventilação.
	Os controlos não estão ajustados corretamente para as condições envolventes.	Ajuste os controlos para uma definição mais quente. Verifique a temperatura após 24 horas. Consulte a secção “Utilizar os controlos”.
	O recipiente de armazenamento de gelo não está na posição correta.	Consulte a secção “Gerador de gelo e recipiente de armazenamento de gelo”.
A temperatura está demasiado baixa na gaveta com temperatura controlada.	O controlo não está regulado corretamente para os itens guardados na gaveta.	Ajuste a definição de multitemperatura. Consulte “Utilizar os controlos” na secção “Utilização do frigorífico”.
Há acumulação de humidade interior. <b>NOTA:</b> É normal alguma acumulação de humidade.	A divisão é húmida.	Um ambiente húmido contribui para a acumulação de humidade.
	A(s) porta(s) está(ão) aberta(s) ou não está(ão) fechada(s) completamente. Deixa entrar ar húmido no frigorífico.	Minimize a abertura das portas e feche-as totalmente.
	A(s) porta(s) não pode(m) ser fechada(s).	Afaste as embalagens da porta.
	Um recipiente ou prateleira está no caminho.	Empurre o recipiente ou a prateleira para a posição correta.
	Armazenar líquido em recipientes abertos.	Isto aumenta a humidade dentro do frigorífico. Mantenha todos os recipientes bem fechados.
Há acumulação de gelo no compartimento do congelador.	A porta é aberta com frequência ou é deixada aberta.	Minimize a abertura das portas e feche a gaveta totalmente depois da utilização.
	A porta tem uma vedação fraca.	Certifique-se de que as vedações da porta fazem bom contacto com o armário do frigorífico para permitir uma vedação adequada.
	Os controlos da temperatura não estão regulados corretamente.	Consulte a secção “Utilizar os controlos” para as definições de temperatura recomendadas.

# RESOLUÇÃO DE PROBLEMAS

Tente primeiro as soluções aqui sugeridas para evitar uma possível chamada da assistência.

**⚠ AVISO**



**Perigo de explosão**  
**Use um produto de limpeza não inflamável.**  
**O incumprimento pode resultar em morte, explosão ou morte.**

Para ver uma animação que mostra como ajustar e alinhar as portas, consulte a secção Ajuda/FAQ do produto no website da marca e pesquise por “Fechar e alinhar a porta”.

Sintoma	Causas possíveis	Solução
<b>Portas</b>		
As portas não fecham totalmente.	A porta não pode ser fechada.	Afaste as embalagens da porta.
	Um recipiente ou prateleira está no caminho.	Empurre o recipiente ou a prateleira para a posição correta.
	Instalado recentemente	Remova todo o material de embalagem.
É difícil abrir as portas.	As juntas das portas estão sujas ou pegajosas.	Limpe as juntas e as superfícies de contacto com água morna e sabão suave. Enxague e seque com um pano macio.
As portas parecem estar desniveladas.	As portas têm de ser alinhadas ou o frigorífico tem de ser nivelado.	Se necessitar de alinha as portas, chame a assistência.
O frigorífico não está estável ou desloca-se para a frente quando as portas são abertas e fechadas.	Os pés de travagem do frigorífico não estão bem encostados ao chão.	Rode os dois pés de travagem (um de cada lado) para a esquerda, o mesmo número de vezes, até estarem bem encostados ao chão. Consulte a secção “Nivelar o frigorífico e fechar a porta”.

# Съдържание

<b>БЕЗОПАСНОСТ НА ХЛАДИЛНИКА .....</b>	<b>296</b>
Правилно изхвърляне на Вашия стар хладилник .....	299
<b>ЧАСТИ И ХАРАКТЕРИСТИКИ .....</b>	<b>300</b>
<b>ИНСТРУКЦИИ ЗА ИНСТАЛИРАНЕ.....</b>	<b>301</b>
Първи стъпки.....	301
Разопаковане на хладилника .....	301
Изисквания за разполагане .....	302
Електрически изисквания .....	302
Сваляне и поставяне на място на вратите на хладилника ..	304
Сваляне и поставяне на място на вратата на фризера/ Flexi freeze.....	306
Нивелиране на хладилника.....	307
Използване на устройствата за управление.....	308
Осветление на хладилника .....	310
<b>ИЗПОЛЗВАНЕ НА ХЛАДИЛНИКА .....</b>	<b>311</b>
Отваряне и затваряне на вратичките.....	311
Съхранение на храната.....	311
<b>РАФТОВЕ, КУТИИ И ЧЕКМЕДЖЕТА .....</b>	<b>312</b>
Отделения за съхранение във фризера .....	313
Справка за звуковите сигнали.....	313
Акcesoари .....	313
Техническа помощ или Обслужване .....	313
<b>ГРИЖА ЗА ХЛАДИЛНИКА.....</b>	<b>314</b>
Почистване .....	314
Лампи.....	315
Ваканция и Грижи за преместване.....	315
<b>ОТКРИВАНЕ И ОТСТРАНЯВАНЕ НА НЕИЗПРАВНОСТИ</b>	<b>316</b>

# БЕЗОПАСНОСТ НА ХЛАДИЛНИКА

## Вашата безопасност и тази на другите хора е много важна.

Предоставили сме много важни съобщения за безопасност в това ръководство и на Вашият уред. Винаги четете и спазвайте всички съобщения за безопасност.

Това е символа за сигнал за безопасност.



Този символ Ви предупреждава за потенциални опасности, които могат да убият или наранят, вас или други хора.

Всички съобщения за безопасност ще следват символа за безопасност и една от думите “ОПАСНОСТ” или “ПРЕДУПРЕЖДЕНИЕ.”

Тези думи означават:

 **ОПАСНОСТ**

Може да бъдете убити или сериозно наранени, ако не спазите веднага следните инструкции.

 **ПРЕДУПРЕЖДЕНИЕ**

Може да бъдете убити или сериозно наранени, ако не спазите инструкциите.

Всички съобщения за безопасност ще ви посочат, каква е потенциалната опасност, как да намалите вероятността за нараняване и какво може да се случи, ако не се спазват инструкциите за безопасност.



## ИНСТРУКЦИИ ЗА БЕЗОПАСНОСТ

## ВАЖНО Е ДА ГИ ПРОЧЕТЕ И ДА ГИ СПАЗВАТЕ

Преди използване на уреда, прочетете тези инструкции за безопасност. Съхранявайте ги под ръка за бъдещи справки. В тези инструкции и на самия уред са представени важни предупреждения за безопасност, които трябва да бъдат спазвани през цялото време. Производителят отклонява всякаква отговорност при неспазване на тези инструкции за безопасност, във връзка с неподходяща употреба на уреда или неправилна настройка на устройствата за управление.

⚠ Много малки деца (0-3 години) трябва да стоят далеч от уреда. Малки деца (3-8 години) трябва да стоят далеч от уреда, освен ако не са под постоянно наблюдение. Този уред може да се използва от деца на 8 години и по-големи, както и от лица с ограничени физически, сетивни или умствени възможности или с недостатъчен опит и познания само, ако са под надзор или са им дадени инструкции за безопасно използване на уреда и разбират възможните опасности. Децата не трябва да си играят с уреда. Почистването и поддръжката от потребителя не трябва да се извършва от деца, оставени без надзор.

### ПОЗВОЛЕНА УПОТРЕБА

⚠ ВНИМАНИЕ: Уредът не е предназначен да се задейства посредством външно включващо устройство като таймер или отделна система с дистанционно управление.

⚠ Този уред е предназначен за използване в домашни условия и подобни приложения като: кухненските зони към магазини, офиси и други работни среди; фермерски къщи; от клиенти в хотели, мотели, къщи за гости предлагащи нощувка и закуска (bed & breakfast) и други видове жилищни помещения.

⚠ Този уред не е предназначен за професионална употреба. Не използвайте уреда на открито.

⚠ Уредът е предназначен за употреба на места, където температурата на околната среда е в следните диапазони, в съответствие с климатичния клас, посочен на табелката с номиналните данни. Уредът може да не функционира правилно, ако бъде оставен за продължителен период от време при температура, извън посочения диапазон.

Климатичен клас - Температура на околната среда T (°C)

SN: от 10 до 32 °C; N: от 16 до 32 °C

ST: от 16 до 38 °C; T: от 16 до 43 °C

⚠ Този уред не съдържа хлорофлуоровъглероди (CFCs). Хладилната система съдържа R600a (HC). Уреди с изобутан (R600a): изобутанът е природен газ без въздействие върху околната среда, но е запалим. Поради това се уверявайте, че тръбите на хладилната система не са повредени, особено, когато изпразвате хладилната система.

⚠ ПРЕДУПРЕЖДЕНИЕ: Внимавайте да не повредите тръбите на хладилната система на уреда.

⚠ ПРЕДУПРЕЖДЕНИЕ: Не запушвайте вентилационните отвори в корпуса на уреда или във вградената конструкция.

⚠ ПРЕДУПРЕЖДЕНИЕ: Не използвайте механични, електрически или химически средства, различни от препоръчаните от производителя, за ускоряване на процеса на обезкрежаване.

⚠ ПРЕДУПРЕЖДЕНИЕ: Не използвайте и не поставяйте електрически устройства в отделенията на уреда, ако те не са от вида, изрично одобрен от производителя.

⚠ ПРЕДУПРЕЖДЕНИЕ: Ледогенераторите и/или диспенсърите за вода, които не са директно свързани към водоснабдителната мрежа, трябва да се пълнят само с питейна вода.

⚠ ПРЕДУПРЕЖДЕНИЕ: Автоматичните ледогенератори и/или диспенсърите за вода трябва да бъдат свързани към водоснабдителна мрежа, която подава само питейна вода с налягане между 0,17 и 0,81 МПа (1,7 и 8,1 bar).

⚠ Не съхранявайте в този уред експлозивни вещества, като например аерозолни кутии със запалим пропелант.

⚠ Не поглъщайте съдържанието (нетоксично) на опаковките за лед (предоставени при някои модели). Не консумирайте ледени кубчета или ледени близалки веднага след изваждането им от фризера, тъй като това може да предизвика студени изгаряния.

⚠ За продукти, проектирани да използват въздушен филтър, намиращ се в достъпен капак на вентилатора, филтърът винаги трябва да е поставен, когато хладилникът работи.

⚠ Не съхранявайте стъклени съдове, съдържащи течности, в отделението на фризера, тъй като те могат да се счупят. Не закривайте вентилатора (ако има такъв) с храни. След поставяне на храни, проверете дали вратичката на отделенията се затваря правилно, особено тази на фризера.

⚠ Повредени уплътнения трябва да се сменят възможно най-скоро.

⚠ Използвайте отделението на хладилника само за съхраняване на пресни храни, а отделението на фризера само за съхраняване на замразени храни, замразяване на пресни храни и правене на ледени кубчета.

⚠ Избягвайте съхраняване на необвити храни в пряк контакт с вътрешните повърхности на хладилника или фризера. Уредите може да разполагат със специални отделения (отделение за пресни храни, кутия за нула градуса и т.н.). Ако не е указано друго в съответната брошура за продукта, те могат да се свалят, запазвайки една и съща производителност.

## МОНТИРАНЕ

⚠ Уредът трябва да се транспортира и монтира от двама или повече човека - опасност от нараняване. Използвайте предпазни ръкавици при разопаковането и монтажа на уреда - опасност от порязвания.

⚠ Монтажът, включително захранването с вода (ако е предвидено), електрическите връзки и поправките трябва да се извършват от квалифициран техник. Не поправяйте и не подменяйте части от уреда, ако това не е изрично посочено в ръководството на потребителя. Децата трябва да стоят далеч от мястото на монтиране на уреда.

След разопаковане на уреда се уверете, че не е бил повреден при транспортирането. В случай на проблеми, се свържете с дистрибутора или най-близкият отдел за следпродажбено обслужване. След като уредът бъде монтиран, отпадъците от опаковката (пластмаса, стиропор и др.), трябва да се съхраняват далеч от обсега на деца - опасност от задушаване. Уредът трябва да е изключен от електрическата мрежа преди извършване на каквито и да било монтажни дейности - опасност от електрически удар. По време на монтажа се уверете, че уредът не поврежда захранващия кабел - опасност от пожар или електрически удар. Активирайте уреда едва след завършване на монтажа.

⚠ Внимавайте да не повредите подовите настилки (напр. паркет), когато премествате уреда. Монтирайте уреда върху под или опора, които са достатъчно здрави за поддържане на неговата тежест, както и на място, подходящо за неговия размер и употреба. Уверете се, че уредът не се намира в близост до източник на топлина и четирите крачета са стабилни и опират плътно на пода, като при необходимост ги регулирайте както се изисква; проверете също дали уредът е перфектно нивелиран с помощта на нивелир. Изчакайте поне два часа, преди да включите уреда, за да се гарантира, че хладилната система е напълно функционална.

⚠ За да се гарантира подходяща вентилация, оставете пространство от двете страни и над уреда. Разстоянието между задната част на уреда и стената зад него трябва да е 50 mm, за да се избегне съприкосновение с горещи повърхности. Намаляването на това пространство ще увеличи потреблението на електроенергия на продукта.

⚠ ПРЕДУПРЕЖДЕНИЕ: За да избегнете опасност, дължаща се на нестабилност, позиционирането или фиксирането на уреда трябва да се извърши в съответствие с инструкциите на производителя. Забранено е хладилникът да се поставя по такъв начин, че металният маркуч на газова печка, метални тръби за газ или вода, или електрически жици са в контакт със задната стена на хладилника (намотката на кондензатора).

⚠ Ако е необходимо да смените вратите, моля, свържете се със сервизния център.

## ПРЕДУПРЕЖДЕНИЯ ОТНОСНО ЕЛЕКТРОЗАХРАНВАНЕТО

⚠ Изключването на уреда от електрическата мрежа трябва да е възможно посредством изваждане на щепсела от контакта, ако щепсела е достъпен, или посредством многополюсен прекъсвач, монтиран след контакта, в съответствие с правилата за окабеляване, а уредът трябва да бъде заземен в съответствие с националните стандарти за електрическа безопасност.

⚠ Не използвайте удължители, разклонители с няколко гнезда или адаптери. След приключване на монтирането електрическите компоненти вече не трябва да бъдат достъпни за потребителя. Не използвайте уреда, ако сте с мокри или боси крака. Не използвайте този уред, ако захранващият му кабел или щепсел е повреден, ако не работи правилно или, ако е бил повреден или е паднал.

⚠ Ако захранващият кабел е повреден, той трябва да бъде заменен с идентичен такъв от производителя, негов сервизен техник или лице с подобна квалификация, за да се избегне опасна ситуация - опасност от електрически удар.

⚠ ПРЕДУПРЕЖДЕНИЕ: Когато позиционирате електрическият уред, се уверете, че захранващият кабел не е захванат или повреден.

⚠ ПРЕДУПРЕЖДЕНИЕ: Не поставяйте многополюсни преносими контакти или преносими захранвания отзад на уреда.

## ПОЧИСТВАНЕ И ПОДДРЪЖКА

⚠ ПРЕДУПРЕЖДЕНИЕ: Уверете се, че уредът е изключен и разкачен от електрическата мрежа, преди извършване на каквато и да била операция по поддръжката; никога не използвайте уреди за почистване с пара - опасност от електрически удар.

⚠ Не използвайте абразивни или груби почистващи средства, като спрейове за прозорци, стъргалки, запалими течности, почистващи вакси, концентрирани препарати, белина или почистващи средства, съдържащи петролни продукти, върху пластмасовите части, вътрешността и уплътненията или изолацията на вратичката. Не използвайте хартиени кърпи, стъргалки или други груби почистващи средства.


## ИЗХВЪРЛЯНЕ НА ОПАКОВЪЧНИТЕ МАТЕРИАЛИ

Опаковъчният материал е 100% годен за рециклиране и е маркиран със символа за рециклиране ♻.

Затова различните части на опаковката трябва да се изхвърлят отговорно и в пълно съответствие с наредбите на местните органи за изхвърляне на отпадъци.

## ИЗХВЪРЛЯНЕ НА ИЗЛЕЗЛИ ОТ УПОТРЕБА ДОМАКИНСКИ УРЕДИ

Този уред е произведен с материали, годни за рециклиране или за повторно използване. При изхвърлянето му спазвайте местните разпоредби за изхвърляне на отпадъци. За допълнителна информация относно третирането, оползотворяването и рециклирането на домакински електроуреди се обърнете към компетентните местни органи, службата за битови отпадъци или магазина, откъдето сте закупили уреда. Този уред е маркиран в съответствие с Европейската директива 2012/19/ЕО относно отпадъци от електрическо и електронно оборудване (WEEE). Като се погрижите това изделие да бъде изхвърлено по правилен начин, Вие ще допринесете за предотвратяване на негативни последствия за околната среда и здравето на хората.

Символът , поставен на изделието или придружаващата документация показва, че това изделие не бива да се третира като битов отпадък, а трябва да се предаде в специализиран пункт за събиране и рециклиране на електрическо и електронно оборудване.

### СЪВЕТИ ЗА ИКОНОМИЯ НА ЕНЕРГИЯ

Монтирайте уреда в сухо, добре вентилирано помещение, далеч от каквото и да е източник на топлина (напр. радиатор, готварска печка и т.н.) и на място, което не е изложено на пряка слънчева светлина. Ако е необходимо, използвайте изолационна плоча.

За да се гарантира подходяща вентилация, следвайте инструкциите за монтиране. Недостатъчната вентилация отзад на уреда увеличава потреблението на електроенергия и намалява ефективността на охлаждането.

Честото отваряне на вратичката може да причини увеличаване на потреблението на електроенергия. Вътрешната температура на уреда и потреблението на електроенергия могат да се повлияят от температурата на околната среда, а също така и от местоположението на уреда. При настройването на температурата трябва да се имат предвид тези фактори.

Намалете до минимум отварянето на вратичката.

Когато размразявате замразена храна, поставете я в хладилника. Ниската температура на замразените продукти охлажда храните в хладилника. Оставете топлите храни и напитки да се охладят, преди да ги поставите в уреда.

Позиционирането на рафтовете в хладилника не оказва влияние върху ефективното използване на енергия. Храните трябва да се поставят на рафтовете по такъв начин, че да се гарантира правилна циркулация на въздух (храните не трябва да се допират една в друга и трябва да се оставя разстояние между храните и задната стена).

Можете да увеличите капацитета за съхранение на замразени храни, като отстраните кошниците и, ако е наличен, рафта Stop Frost (спиране на образуването на скреж).

Не бива да се притеснявате от шумовете, издавани от компресора, които са описани като нормални шумове в краткото упътване за този продукт.



## Правилно изхвърляне на Вашия стар хладилник

### ПРЕДУПРЕЖДЕНИЕ

#### Опасност от задушаване

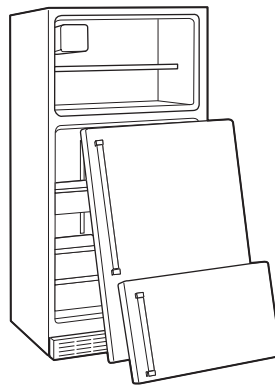
**Свалете вратите от Вашия хладилник.**

**Не спазването на това изискване може да доведе до смърт или увреждане на мозъка.**

**ВАЖНО:** Заклещването и задушаването на деца не са проблеми свързани с миналото. Бракувани или изоставени хладилници все още представляват опасност - дори, ако те бъдат оставени "само за няколко дни". Ако възнамерявате да се освободите от Вашия стар хладилник, моля, следвайте тези инструкции, които ще Ви помогнат да избегнете инциденти.

**Преди да изхвърлите Вашият стар хладилник или фризер:**

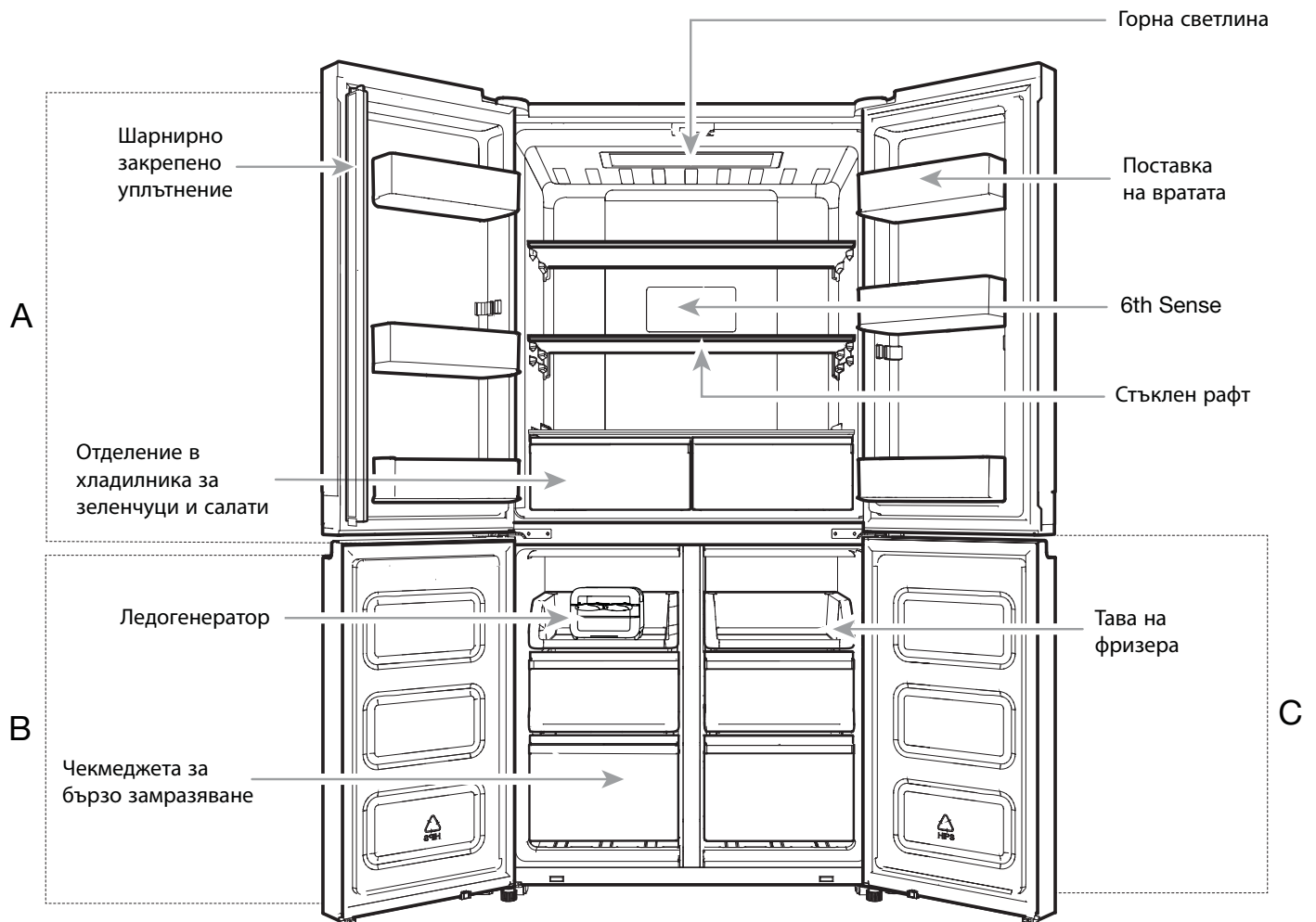
- Свалете вратите.
- Оставете рафтовете на място, по такъв начин деца не могат да се качват лесно в хладилника или фризера.



### Важна информация за изхвърляне на хладилници, която трябва да се знае:

Изхвърлете хладилника в съответствие с федералните и местните разпоредби. Хладилниците трябва да се изхвърлят от лицензирани, хладилни техници, в съответствие с установените процедури.

# ЧАСТИ И ХАРАКТЕРИСТИКИ



- A . Хладилник
- B . Фризер
- C . Отделение Flexi Freeze (само за WQ9 B1L, 6WM591NIHAS и WQ70900SXX)

# ИНСТРУКЦИИ ЗА ИНСТАЛИРАНЕ

## Първи стъпки

### СПИСЪК ЗА ИЗВЪРШВАНЕ НА ПРОВЕРКА НА ИНСТАЛИРАНЕТО

#### ✓ Електрозахранване

## ⚠ ПРЕДУПРЕЖДЕНИЕ



### Опасност от токов удар

Включете в заземен извод.

Да не се сваля разклонението за заземяване.

Да не се използва адаптер.

Да не се използва удължителен шнур.

Неспазването на тези инструкции може да доведе до смърт, пожар или токов удар.

- Включете хладилника в заземен контакт.
- ✓ **Вратички**
- Ако е необходимо да се свалят вратичките по време на инсталиране, вижте за справка разделите "Сваляне и поставяне на вратите на хладилника" и "Сваляне и поставяне на вратите на фризера".
- Вратите са уплътнени изцяло.
- Хладилникът е нивелиран. Регулирайте нивелиращите крака, така че те да са прилегли плътно на пода.
- Вратите са изравнени от край до край откъм горната страна. (Ако е необходимо, използвайте характеристиката за подравняване на вратата).
- ✓ **Крайни проверки**
- Свалете всичкият материал, който е използван по време на транспортирането.
- Настройте регулаторите на температурата на препоръчаните настройки.
- Запазете инструкциите и друга литература.
- За да получите по-пълно съдействие, моля, регистрирайте Вашият продукт в [www.whirlpool.eu/register](http://www.whirlpool.eu/register).

## Разопаковане на хладилника

## ⚠ ПРЕДУПРЕЖДЕНИЕ

### Опасност от прекомерно тегло

Използвайте двама или повече човека, за преместване и монтиране на хладилника.

Неспазването на това изискване може да доведе до нараняване на гърба или друго нараняване.

### Доставка на хладилника

Изисква се минимално отваряне на вратата от 838 mm (33"). Ако отварянето на вратата е 914 mm (36") или по-малко, в такъв случай е необходимо да свалете вратата, чекмеджето и шарнирите.

Транспортирайте хладилника откъм страната за всички отвори на вратите.

### Когато премествате Вашият хладилник:

Вашият хладилник е тежък. Когато премествате хладилника за почистване или обслужване, покрийте пода с твърд картон или талашит, за да се избегне повреждане на пода. Винаги дърпайте хладилника изправен, когато го премествате. Не въртете или "не бутайте" хладилника, когато се опитвате да го местите, тъй като това може да повреди пода.

### Сваляне на опаковката

- Преди да включите хладилника, отстранете остатъците от лепенки и лепило от повърхностите. С помощта на пръстите ви, втрийте малко количество течен детергент за миене на съдове в слепващото вещество. Избършете с топла вода и подсушете.
- Да не се използват остри инструменти, алкохол за триене, запалими течности или абразивни почистващи средства за отстраняване на лепенки или лепило. Тези продукти могат да повредят повърхността на Вашия хладилник.
- Изхвърлете/рециклирайте всички опаковъчни материали.

### Почистете преди използване

След като отстраните всички опаковъчни материали, почистете отвътре Вашият хладилник, преди да го използвате. Вижте за справка инструкциите за почистване в раздел "Грижи за хладилника".

### Важна информация, която трябва да се знае за стъклени рафтове и капаци:

Не почиствайте стъклените рафтове или капаци с топла вода, когато са студени. Рафтовете и капаци могат да се счупят, ако се излагат на резки температурни промени или въздействия, например експлодиране. Закаленото (или темперирано) стъкло може да се раздробява на много малки частици, с размер на камъче. Това е нормално. Стъклените рафтове и капаци са тежки. Когато ги премествате, използвайте и двете ръце, за да избегнете изпускане.

## Изисквания за разполагане

### ⚠ ПРЕДУПРЕЖДЕНИЕ



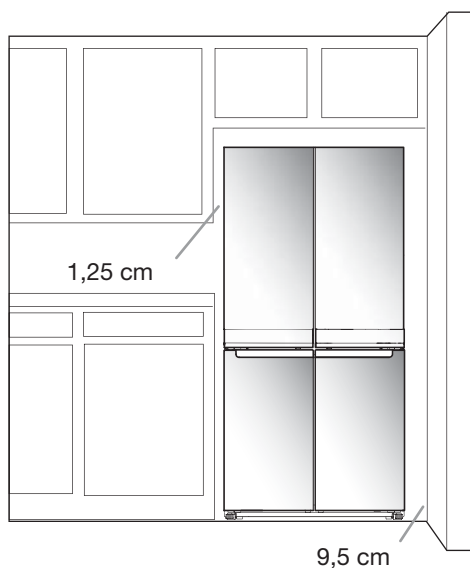
#### Опасност от експлозия

Съхранявайте запалими материали и пари като бензин, далеч от хладилника.

Не спазването на това указание може да доведе до смърт, експлозия или пожар.

За да се осигури подходяща вентилация за Вашия хладилник, оставете пространство от 1,25 cm от всяка страна и отгоре. Зад хладилника оставете пространство от 5 cm. Ако хладилникът е снабден с ледогенератор, оставете допълнително пространство отзад, за връзките на тръбопровода за вода. Когато инсталирате Вашият хладилник в близост до неподвижна стена, между хладилника и стената оставете минимално пространство от 9,5 cm, за да позволите на вратата да се завърти и отвори.

**БЕЛЕЖКА:** Този хладилник е предназначен за използване на място, където температурата варира от минимум 10°C до максимум 43°C. Предпочитаният диапазон на стайната температура за оптимална производителност, при който се намалява потреблението на електроенергия и се осигурява по-високо охлаждане, е между 15°C и 32°C. Препоръчва се да не инсталирате хладилника в близост до източник на топлина като фурна или радиатор.



## Електрически изисквания

### ⚠ ПРЕДУПРЕЖДЕНИЕ



#### Опасност от токов удар

Включете в заземен извод.

Да не се сваля разклонението за заземяване.

Да не се използва адаптер.

Да не се използва удължителен шнур.

Неспазването на тези инструкции може да доведе до смърт, пожар или токов удар.

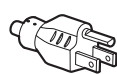
**ВАЖНО:** Инсталирането и електрическото свързване трябва да се извърши от квалифициран техник, съгласно инструкциите на производителя и в съответствие с местните разпоредби за безопасност.

- Хладилникът е предназначен да работи на отделна електрическа верига 220-240 Волта, 10 A, 50/60 Hz.
- Уверете се, че посоченото напрежение на табелката с номиналните данни, отговаря на това във Вашето жилище.
- Трябва да бъде възможно да изключите уреда от електрозахранването като извадите щепсела от контакта или посредством главен двуполюсен прекъсвач, монтиран след контакта.
- Ако захранващият кабел е повреден, той трябва да бъде заменен от производителя, негов сервизен техник или лица с подобна квалификация, за да се избегне всякаква опасност.

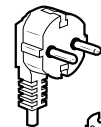
Преди да преместите Вашият хладилник на неговото окончателно място е важно да се уверите, че е извършено правилно електрическо свързване:

#### Препоръчан метод на заземяване

Изисква се заземено електрическо захранване от 220-240 Волта 50 Hz, 220 Волта 60 Hz, или 230/240 Волта 50 Hz AC само 10 A с предпазител.



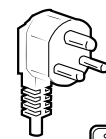
Тип B



Тип E и F



Тип I



Тип M



Тип G

### За Австралия и Нова Зеландия:

Вашият нов уред е специално произведен да отговаря на всички стандарти и условия в Австралия.

Някои нотации в инструкциите за инсталиране могат да се отнасят до изискванията за свързване към електрическата мрежа в други страни, така че привличаме Вашето особено внимание към тези специфични бележки.

Вашият уред трябва да бъде включен в заземен контакт 230/240 Волта 50 Hz AC само 10 А.

### Електрически изисквания (само за Великобритания и Ирландия)

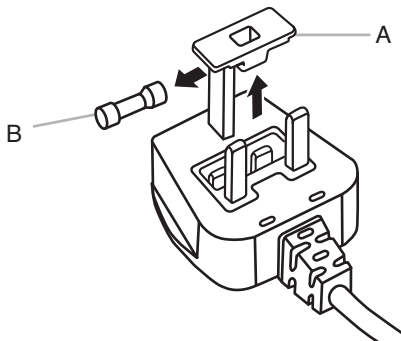
**ВАЖНО:** Хладилникът трябва да бъде заземен.

#### Смяна на предпазител

Ако мрежовият проводник на този хладилник е снабден с щепсел с предпазител BS1363A, 13 А, за да смените предпазителя при този тип щепсел, използвайте одобрен предпазител A.S.T.A. за тип BS 1362 и процедирайте както следва:

1. Свалете капачката на предпазителя (А) и предпазителя (В).
2. Поставете новия предпазител 13 А в капачката на предпазителя.
3. Монтирайте отново и предпазителя и неговата капачка в щепсела.

**ВАЖНО:** Капачката на предпазителя трябва да бъде поставена отново, когато се сменя предпазителя. Ако е загубена капачката на предпазителя, щепселът не трябва да се използва, докато не се постави правилната нова капачка. Правилната резервна част се определя от цвета на вложката или от цвета щампован с думи в основата на щепсела. Резервни части като капачки за предпазители може да намерите в местния магазин за електрочасти.



А. Капачка на предпазител

В. Предпазител

### Само за Република Ирландия:

Информацията, дадена за Великобритания, в повечето случаи е приложима, но се използва и трети тип щепсел и контакт, 2-цифтов, със странично заземяване.

#### Контакт/Щепсел (валидно за двете държави):

Ако поставеният щепсел не е подходящ за Вашия контакт, се свържете с отдела за следпродажбено обслужване, за допълнителни инструкции. Не се опитвайте да сменят щепсела сами. Тази процедура трябва да се извърши от квалифициран електротехник, в съответствие с инструкциите на производителя и текущите разпоредби за безопасност.

### Температура

Този хладилник е проектиран за работа на места, където температурата е в следните диапазони, в съответствие с климатичния клас, посочен на табелката с номиналните данни. Хладилникът може да не функционира правилно, ако бъде оставен за продължителен период от време при температура, извън посочения диапазон.

**БЕЛЕЖКА:** Препоръчва се да не инсталирате хладилника в близост до източник на топлина, като например фурна или радиатор.

Климатичен клас	Температура на околната среда T (°C)	Температура на околната среда T (°F)
SN	От 10 до 32	От 50 до 90
N	От 16 до 32	От 61 до 90
ST	От 16 до 38	От 61 до 100
T	От 16 до 43	От 61 до 110

## Сваляне и поставяне на място на вратите на хладилника

**БЕЛЕЖКА:** Измерете ширината на отваряне на Вашата врата, за да видите дали е необходимо или не, да свалите вратите на хладилника, за да преместите хладилника във Вашето жилище. Ако е необходимо да свалите вратата, вижте за справка следните инструкции.

**ВАЖНО:** Ако хладилникът е бил монтиран по-преди и е необходимо да го изнесете от жилището, изключете устройствата за управление на хладилника, преди да свалите вратите. Извадете щепсела от контакта или изключете захранването. Извадете храната и свалете регулируемата врата или кофичките от вратите.

Съберете необходимите инструменти и прочетете всички инструкции, преди да свалите вратите.

**НЕОБХОДИМИ ИНСТРУМЕНТИ:** 6 mm глух гаечен ключ, 5 mm глух гаечен ключ и #2 отверка Филипс.



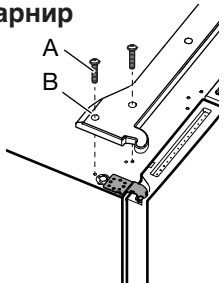
### ⚠ ПРЕДУПРЕЖДЕНИЕ

Опасност от токов удар

Разкачете захранването, преди свалянето на вратите.

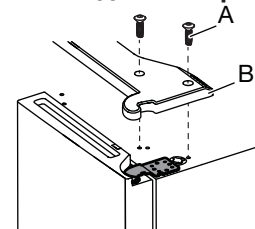
Не спазването на това указание може да доведе до смърт или токов удар.

#### Капачка на горен ляв шарнир



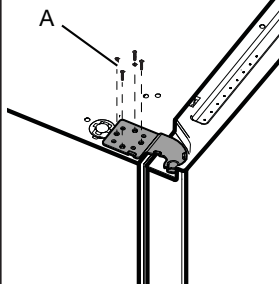
- A. Винтове на капачка на горен шарнир
- B. Капачка на горен шарнир

#### Капачка на десен шарнир



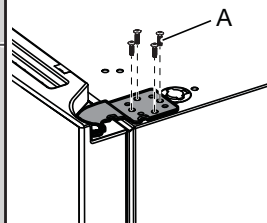
- A. Винтове на капачка на горен шарнир
- B. Капачка на горен шарнир

#### Горен ляв шарнир



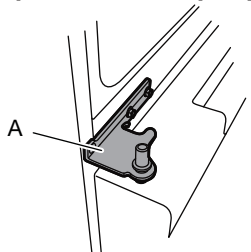
- A. 5 mm винтове с шестоъгълно гнездо

#### Горен десен шарнир



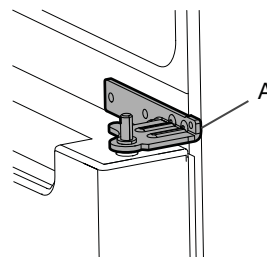
- A. 5 mm винтове с шестоъгълно гнездо

#### Среден ляв шарнир



- A. Шарнир

#### Среден десен шарнир



- A. Шарнир



## ПРЕДУПРЕЖДЕНИЕ

Опасност от прекомерно тегло

Използвайте двама или повече човека за повдигане на вратата на хладилника.

Неспазването на това изискване може да доведе до нараняване на гърба или друго нараняване.

### Сваляне на вратите на хладилника

## ПРЕДУПРЕЖДЕНИЕ



Опасност от токов удар

Разкачете захранването, преди свалянето на вратите.

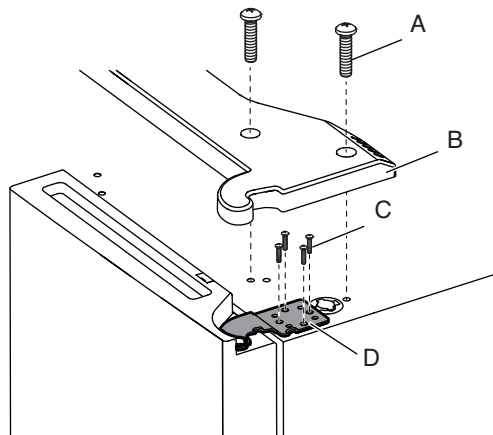
Не спазването на това указание може да доведе до смърт или токов удар.

### Сваляне на дясната врата

1. Извадете щепсела от контакта или изключете захранването.
2. Поддържайте вратите на хладилника затворени, докато станете готови да ги повдигнете свободно от корпуса на хладилника.

**БЕЛЕЖКА:** Осигурете допълнителна опора за вратите на хладилника, докато сваляте шарнирите. Не разчитайте, че магнитите на уплътненията на вратите могат да задържат вратата на място, докато работите.

3. Като използвате отверка Филипс, свалете капачката от горния шарнир.
4. Като използвате 5 mm глух гаечен ключ, свалете четирите винта от горния шарнир и ги поставете настрана.



A. Винт на капачка на горен шарнир

B. Капачка на горен шарнир

C. 5 mm винтове с шестоъгълно гнездо

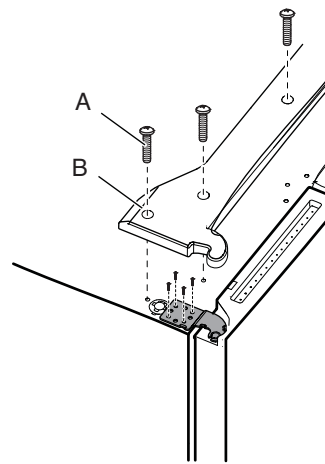
D. Горен шарнир

5. Повдигнете вратата на хладилника от щифта на средния шарнир. Горният шарнир ще излезе с вратата.

### Сваляне на лявата врата

**ВАЖНО:** Окабеляването за UI преминава през шарнира на лявата врата, така че трябва да го разкачите преди да свалите вратата.

1. Като използвате отверка Филипс, свалете капачката от горния шарнир.

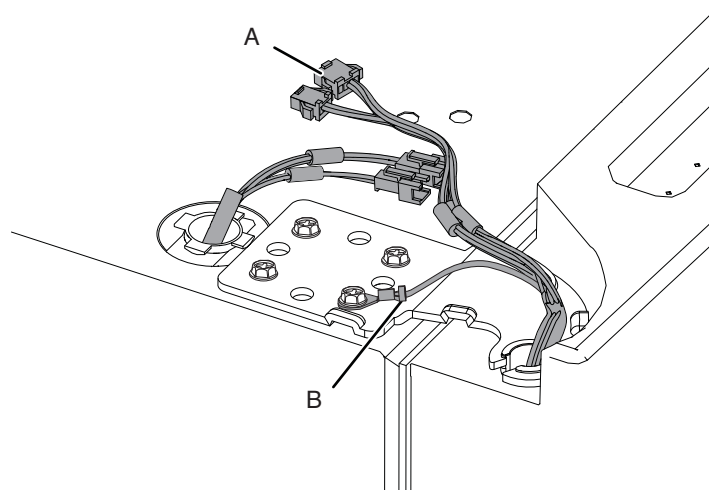


A. Винт на капачка на горен шарнир

B. Капачка на горен шарнир

2. Разкачете двата електрически щепсела, които са разположени в горната част на шарнира на вратата.

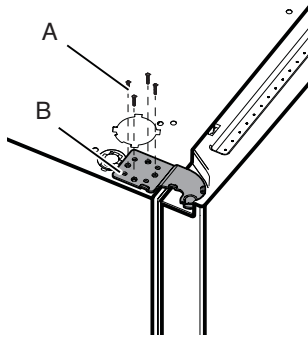
- Хванете всяка страна на електрическите щепсели. Натиснете с Вашия ляв палец, за да освободите застопоряващото устройство и извадете частите на щепселите настрана.



A. Електрически щепсел

B. Конектор за заземяване

3. Като използвате 5 mm глух гаечен ключ, свалете четирите вътрешни винта от горния шарнир и ги поставете настрана.



A. 5 mm винтове с шестоъгълно гнездо  
B. Горен шарнир

**БЕЛЕЖКА:** Осигурете допълнителна опора за вратата на хладилника, докато сваляте шарнирите. Не разчитайте, че магнитите на уплътненията на вратите могат да задържат вратата на място, докато работите.

4. Повдигнете вратата на хладилника от щифта на долния шарнир. Горният шарнир ще излезе с вратата.

**БЕЛЕЖКА:** Може да не е необходимо да сваляте долните шарнири и спирачните крачета, за да преместите хладилника през входа.

- Само ако е необходимо, използвайте 6 mm глух гаечен ключ и отверка Филипс #2, за да свалите средния шарнир.

#### Поставяне на място на дясната врата на хладилника

1. Поставете дясната врата върху щифта на средния шарнир.
2. Вкарайте щифта на горния шарнир в отвора в горната част на вратата на хладилника.
3. Като използвате 5 mm глухи гаечни ключове, затегнете шарнира на корпуса на хладилника. Не затягайте винтовете напълно.

#### Поставяне на място на лявата врата на хладилника

1. Поставете лявата врата върху щифта на средния шарнир.
2. Като използвате 5 mm глухи гаечни ключове, затегнете шарнира на корпуса на хладилника. Не затягайте винтовете напълно.
3. Свържете отново електрическите кабели.
  - Натиснете заедно двете части на електрическия щепсел.
  - Свържете отново кабела за заземяване към винта на шарнира.

#### Последни стъпки

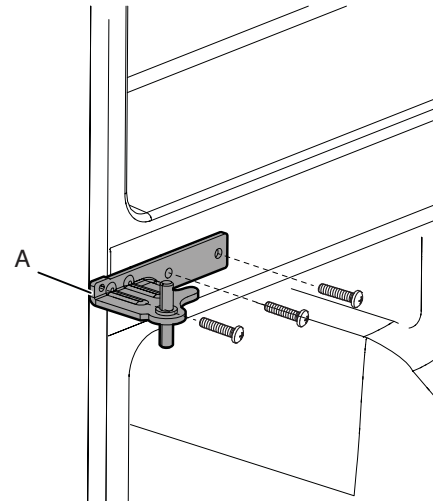
1. Затегнете напълно осемте 5 mm винтове с шестоъгълно гнездо.
2. Поставяне на място на капачките на горния шарнир.

## Сваляне и поставяне на място на вратата на фризера/ Flexi freeze

1. Поддържайте вратите на фризера затворени, докато станете готови да ги повдигнете свободно от корпуса на фризера.

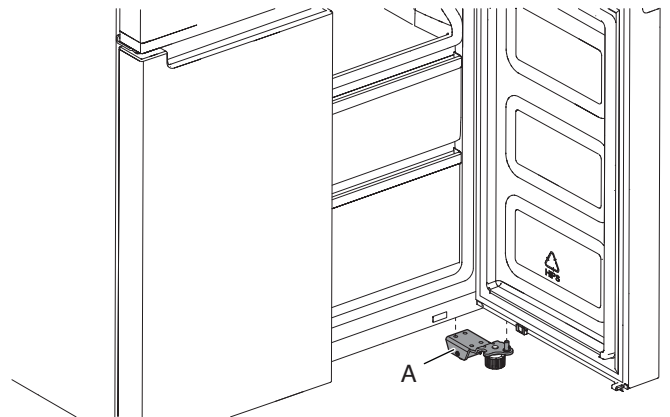
**БЕЛЕЖКА:** Осигурете допълнителна опора за вратата на фризера, докато сваляте шарнирите. Не разчитайте, че магнитите на уплътненията на вратите могат да задържат вратата на място, докато работите.

- Като използвате отверка Филипс #2 и 6 mm глух гаечен ключ, свалете средния шарнир от корпуса на фризера.



A. Среден шарнир

- Повдигнете вратата на фризера от щифта на долния шарнир.



A. Долен шарнир

## ⚠ ПРЕДУПРЕЖДЕНИЕ



### Опасност от токов удар

Включете в заземен извод.

Да не се сваля разклонението за заземяване.

Да не се използва адаптер.

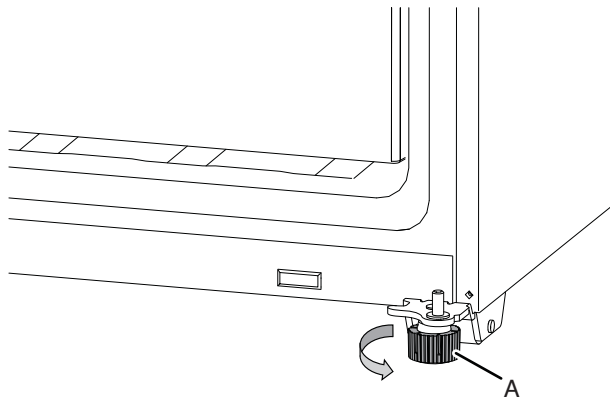
Да не се използва удължителен шнур.

Неспазването на тези инструкции може да доведе до смърт, пожар или токов удар.

1. Включете в заземен контакт.
2. Поставете обратно във фризера всички свалени части, а храната в чекмеджетата.

## Нивелиране на хладилника

1. Преместете хладилника на неговото окончателно място.
2. Като използвате Вашата ръка, завъртете спирачните крачета. Завъртете ги по посока обратна на часовниковата стрелка, докато ролките се отдалечат от пода, а двете спирачни крачета прилегнат плътно на пода. По този начин не се позволява на хладилника да се премества напред, когато се отварят вратите.



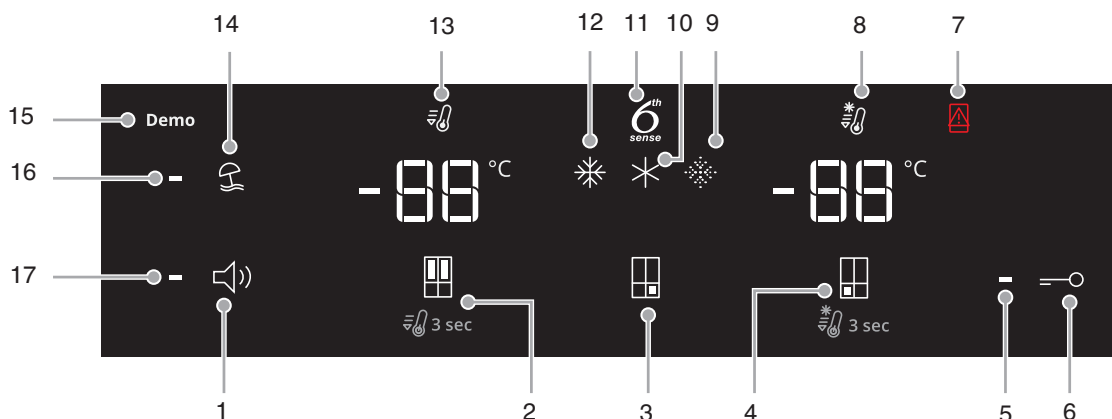
A. Спирачни крачета

**ВАЖНО:** Ако е необходимо да извършите допълнителни регулирания, включително и на спирачните крачета, трябва да завъртите по един и същ начин и двете спирачни крачета, за да се поддържа хладилникът нивелиран.

3. Използвайте нивелир, за да се уверите, че хладилникът е нивелиран от едната страна до другата страна, както и отпред и отзад.

## Използване на устройствата за управление

Сензорните устройства за управление са разположени отляво на вратата на хладилника. Контролният панел включва информация за различните бутони и индикатори. Индикаторът за температура на фризера и хладилника показва последната зададена стойност.



1. Звуков бутон за включване и изключване
2. Бутон за температура на хладилника (задържан за 3 sec за бързо охлаждане)
3. Бутон Flexi Freeze за предварително настройване на температурата (само за WQ9 B1L, 6WM591NIHAS и WQ70900SXX)
4. Бутон за температура на фризера (задържан за 3 sec за ускорено замразяване)
5. Индикатор за заключване на клавиш
6. Бутон за заключване на клавиш
7. Индикатор за отворена врата
8. Индикатор за бързо замразяване
9. Индикатор за меко замразяване (само за WQ9 B1L, 6WM591NIHAS и WQ70900SXX)
10. Индикатор за умерено замразяване (само за WQ9 B1L, 6WM591NIHAS и WQ70900SXX)
11. Индикатор "Шесто чувство" (6th Sense)
12. Индикатор за твърдо замразяване (само за WQ9 B1L, 6WM591NIHAS и WQ70900SXX)
13. Индикатор за бързо охлаждане
14. Бутон за режим на работа "Ваканция"
15. Индикатор за режим "Demo" (само за WQ9 B1L, 6WM591NIHAS и WQ70900SXX)
16. Индикатор за режим на работа "Ваканция"
17. Звуков индикатор

Контролният панел ще се изключи автоматично след една минута бездействие. За да включите контролния панел, натиснете който и да е клавиш.

### - 88 Преглед и регулиране на настройките на температурата

#### Регулиране на температурата на отделението на хладилника и фризера:

За Ваше удобство, устройствата за управление на хладилника и фризера са фабрично настроени.

Когато монтирате Вашият хладилник за първи път, се уверете, че устройствата за управление са все още настроени на препоръчаните настройки. Препоръчаните фабрични настройки са 3°C, за хладилника и -18°C, за фризера.

Като натиснете бутона за температура на хладилника или фризера, се превключва между настройките на температурата в градуси по Целзий (°C).

#### ВАЖНО:

- Изчакайте 24 часа, преди да поставите храна в хладилника. Ако прибавите храна, преди хладилникът да се е охладил напълно, Вашата храна може да се развали.

**БЕЛЕЖКА:** Регулирането на настройките на по-студени от тези препоръчаните, не води до по-бързо охлаждане на отделенията.

- Ако температурата в хладилника или фризера е твърде висока или твърде ниска, първо проверете вентилационните отвори, за да се уверите, че те не са запушени, преди да пристъпите към настройване на устройствата за управление.

- Препоръчаните настройки трябва да бъдат правилни за нормално домашно използване. Устройствата за управление са настроени правилно, когато млякото или плодвите сокове, са толкова студени, колкото желаете.

**БЕЛЕЖКА:** Зони като гаражи, сутерени или веранди, могат да имат по-голяма влажност на въздуха или екстремни температури. Може да е необходимо да регулирате температурата на настройки, различни от тези препоръчаните, за съобразяване с тези условия.

- Изчакайте поне 24 часа между регулиранията. Проверете отново температурата, преди да извършите други регулирания.

### "Шесто чувство Fresh Lock" (6th Sense Fresh Lock) и "Freeze Control" (Управление на замразяването)

Сензорът "6th SENSE Fresh Lock" осигурява прецизно и логично управление на температурата, за запазване на прясната храна за по-дълго време, по най-естествен начин. Щом като се открие вариация в температурата, сензорът активира компресора, който възстановява бързо първоначалната температура.

Благодарение на иновативната система за управление на температурата, сензорът "6th SENSE Freeze" свежда до минимум температурните флукутации във фризера. Изгарянията на фризера са намалени, за запазване на качеството и цвета на храната.



## Настройка "Flexi Freeze" (само за WQ9 B1L, 6WM591N1HAS и WQ70900SXX)

Функцията "Flexi Freeze" Ви позволява да превключвате температура на отделението "Flexi freeze".

Символ	Функция	Температура
	Традиционен фризер	-18°C
	Фризер за умерено замразяване	-12°C
	Фризер за меко замразяване	-7°C

\* За да активирате/деактивирате най-студената настройка (-20°C), натиснете бутона за предварителна настройка на температурата Flexi Freeze в продължение на 3 секунди.

## Регулиране на настройка за мулти-температура

- Традиционен фризер (-18°C): Вече замразена храна и прясна храна (макс. 12 месеца)
- Фризер за умерено замразяване (-12°C): Вече замразена храна (макс. 1 месец)
- Фризер за меко замразяване (-7°C): Вече замразена храна (макс. 1 седмица)

Когато регулирате настройките на температурата, използвайте следната таблица за пътуване:

ВНИМАНИЕ	РЕГУЛИРАНЕ НА ТЕМПЕРАТУРАТА
Твърде студен хладилник	Настройка на хладилника - 1° или по-висока
Твърде топъл хладилник	Настройка на хладилника - 1° или по-ниска
Твърде студен фризер	Настройка на фризера - 1° или по-висока
Твърде топъл фризер/твърде малко лед	Настройка на фризера - 1° или по-ниска

## Бързо охлаждане

Функцията за бързо охлаждане е в помощ при повишено използване на хладилника, както и при работа на пълен режим в бакалници или временно високи стайни температури.

- За да включите функцията за бързо охлаждане, натиснете и задръжте натиснат бутона за температура на хладилника за 3 секунди. Когато функцията е активирана, иконата за бързо охлаждане се осветява. Функцията за бързо охлаждане ще остане включена за 2 часа, освен ако не се изключи ръчно.
- За да изключите ръчно функцията за бързо охлаждане, натиснете и задръжте натиснат бутона за температура на хладилника за 3 секунди. Иконата за бързо охлаждане ще изгасне, когато функцията не е активирана.
- Регулирането на температурата на хладилника, ще изключи автоматично функцията за бързо охлаждане.

## Бързо замразяване

Количеството на пресните храни (в kg), което може да се замразява в продължение на 24 часа, е показано на табелката с номиналните данни на уреда.

- Натиснете бутона "Температура на фризера" за 3 секунди (докато светне индикатора за бързо замразяване), 24 часа преди поставянето на пресни храни във фризера. След поставянето на пресни храни във фризера, обикновено е достатъчно функцията за бързо замразяване да е включена за 24 часа; функцията за бързо замразяване се деактивира автоматично след 50 часа.
- За да изключите ръчно функцията за бързо замразяване, натиснете и задръжте натиснат бутона за температура на фризера за 3 секунди. Иконата за бързо замразяване ще изгасне.
- Регулирането на температурата на фризера, ще изключи автоматично функцията за бързо замразяване.

## Режим на работа "Holiday" ("Ваканция")

Този режим на работа е предназначен за предотвратяване на загуба на електроенергия, когато уредът не се използва, както обикновено (например, когато сте във ваканция).

Избирайки тази функция, температурата на отделението на хладилника (RC), ще се настрой автоматично на най-топлата стойност.

- За да използвате функцията за режим на работа "Holiday", натиснете бутона за избор на режим на работа, докато не светне индикатора на режим "Holiday", който се намира на дисплея.
- За да излезете от режим "Holiday", натиснете бутона за избор на режим на работа, докато не изгасне иконата на режима, която се намира на дисплея.
- Регулирането на температурата на хладилника, ще изключи автоматично функцията за режим на работа "Holiday".

**ВАЖНО:** Ако е избран този режим на работа, всичката храна и напитки трябва да се извадят от отделението на хладилника.

## Звуков сигнал за включване и изключване (ON-OFF)

Натиснете бутона за активиране/деактивиране на звуковата обратна връзка.

## Key Lock (Заклучване на клавиш)

- За да активирате функцията за заключване, натиснете и задръжте натиснат бутона за заключване за 3 секунди.
- За да деактивирате заключването, натиснете и задръжте натиснат бутона за заключване за 3 секунди.

Функцията за заключване ще игнорира всички взаимодействия с контролния панел, докато потребителят не отключи контролния панел. Тази функция е предназначена за предотвратяване на неволна промяна на настройките.

---

## Режим на работа "Demo" (само за WQ9 B1L, 6WM591N1HAS и WQ70900SXX)

---

Този режим се използва, когато хладилникът се визуализира на дисплея в магазин за продажби на дребно или, ако желаете да изключите охлаждането и деактивирате всички други функции (с изключение на вътрешното осветление).

Режимът на работа "Demo" може да се използва, когато отивате на продължителна ваканция. Вижте раздел "Ваканция и Грижи за преместване", за извършване на правилните стъпки за оставяне на Вашия хладилник в този режим на работа за по-дълги периоди от време.


- Ако включите режим на работа "Demo", на дисплея ще светне иконата "Demo".
- Влизането и излизането от режим на работа "Demo" става посредством едновременно натискане и задържане за 3 секунди на звуковия бутон за включване или изключване и бутон за заключване.

### Допълнителни функции

---

#### Аларма за отворена врата

---

- Функцията за аларма за отворена врата издава аларма, а иконата "Отворена врата" премигва , когато която и да е от четирите вратички е оставена отворена за 2 или повече минути.
- Алармата ще се повтаря на всеки 5 минути. За да се изключи алармата, затворете всички вратички.

**БЕЛЕЖКА:** За да заглушите звуковата аларма, докато вратичките са отворени, например, когато почиствате хладилника отвътре, докоснете който и да е бутон на контролния панел. Звукът на алармата ще се изключи временно, но иконата "Отворена врата" ще се визуализира все още на контролния панел.

---

### Осветление на хладилника

Хладилникът е снабден с вътрешно осветление, което светва всеки път, когато се отваря вратата.

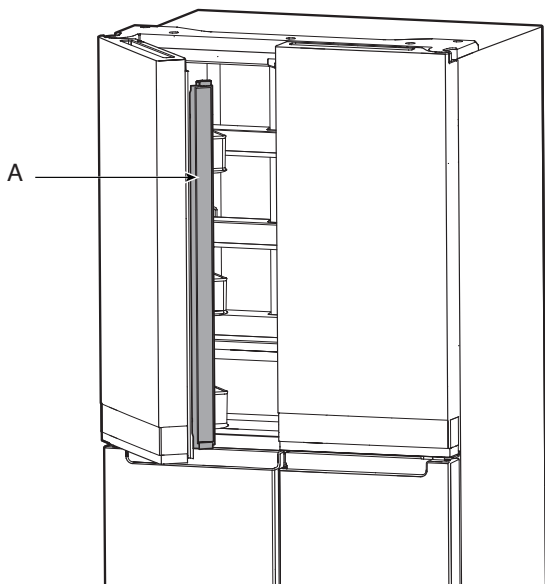
**БЕЛЕЖКА:** Осветлението е светодиодно и не е необходимо да се извършва смяна. Ако светодиодът не светва, когато се отвори вратата, се обадете в сервизния център за смяна на лампата.

# ИЗПОЛЗВАНЕ НА ХЛАДИЛНИКА

## Отваряне и затваряне на вратичките

На отделенията на фризера има две вратички. Вратичките могат да се отворят или поотделно, или заедно. На лявата вратичка на хладилника има шарнирно закрепено във вертикално положение уплътнение.

- Когато е отворена лявата вратичка, шарнирно закрепеното уплътнение се съгва навътре, така че то не пречи.
- Когато и двете вратички са затворени, шарнирно закрепеното уплътнение формира автоматично уплътнение между двете врати.

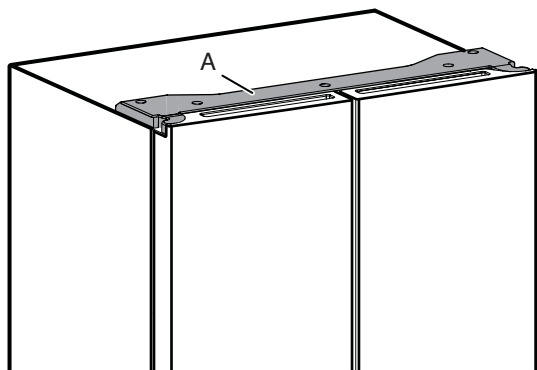


A. Шарнирно закрепено уплътнение

Превключвателят на вратичката на отделениято на хладилника е разположен на горната лява и дясна капачка на шарнира.

- За фризера и мулти-температурната зона, превключвателят на вратичката е разположен на долната шпросна.
- Превключвателят на вратичката използва магнит за възприемане на отварянето/затварянето на вратичката.
- Уверете се, че в рамките на 7,62 cm от капачката на шарнира, няма магнит или електронни устройства (радиоговорител, Coolvox® etc.).

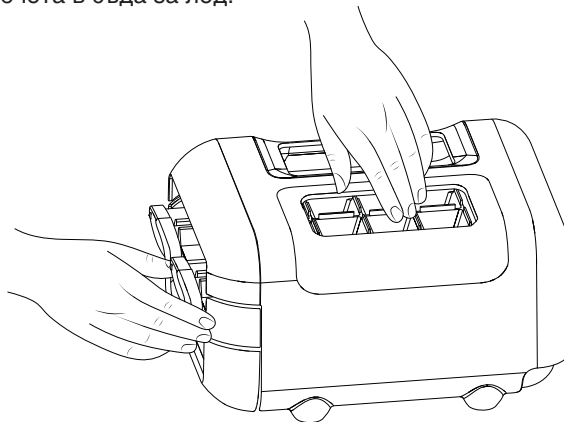
**БЕЛЕЖКА:** Осветлението няма да се включи, ако не се открие отваряне на вратичката.



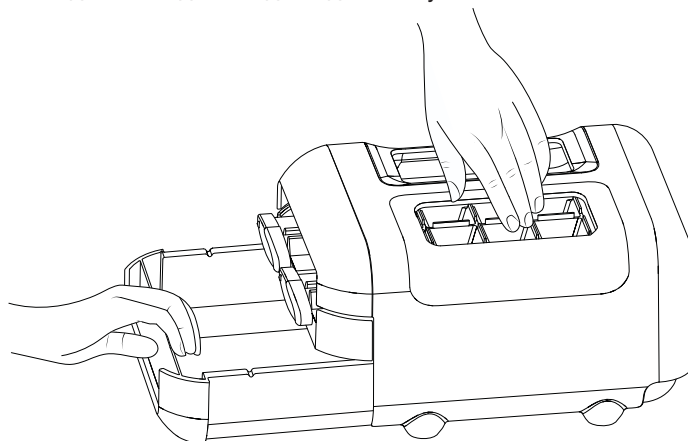
A. Капачка на шарнир

## Ледогенератор

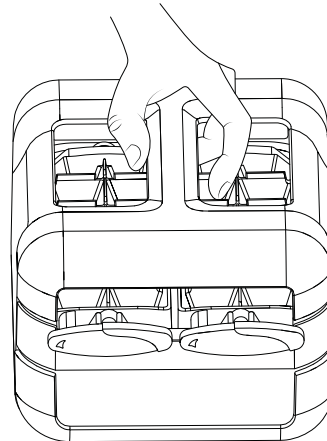
- За произвеждане на лед, напълнете тавата за лед с чиста вода и поставете ръчният ледогенератор на горния рафт на фризера. Изчакайте, докато се формира лед и щом като ледът е готов, завъртете копчетата по посока на часовниковата стрелка, за да изхвърлите ледените кубчета в съда за лед.



- Повдигнете леко съда за лед и изтеглете съда за лед, за да имате достъп до ледените купчета.



Комплектът ръчен ледогенератор може да се извади от фризера, когато не е необходим лед, за да се направи по-голямо място във фризера.



## Съхранение на храната

### Съхранение на яйца

Препоръчва се, яйцата да се съхраняват при постоянна температура, за да се запази тяхната свежест, така че най-добре е да се съхраняват в хладилника, на средния рафт.

# РАФТОВЕ, КУТИИ И ЧЕКМЕДЖЕТА

## Важна информация, която трябва да се знае за стъклени рафтове и капаци:

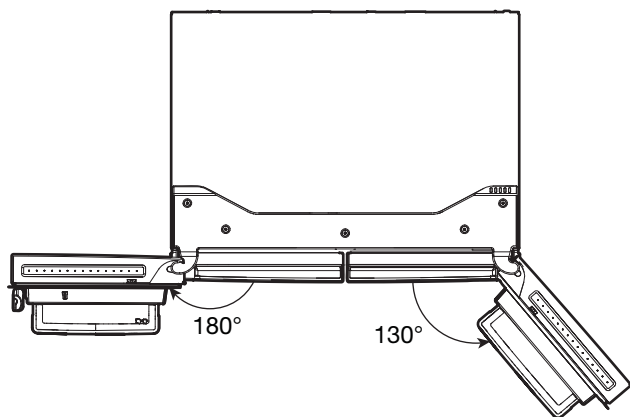
Не почиствайте стъклените рафтове или капаци с топла вода, когато са студени. Рафтовете и капаци могат да се счупят, ако се излагат на резки температурни промени или въздействия, например експлодиране.

Закаленото (или темперирано) стъкло може да се раздробява на много малки частици, с размер на камъче. Това е нормално. Стъклените рафтове и капаци са тежки. Когато ги премествате, използвайте и двете ръце, за да избегнете изпускане.

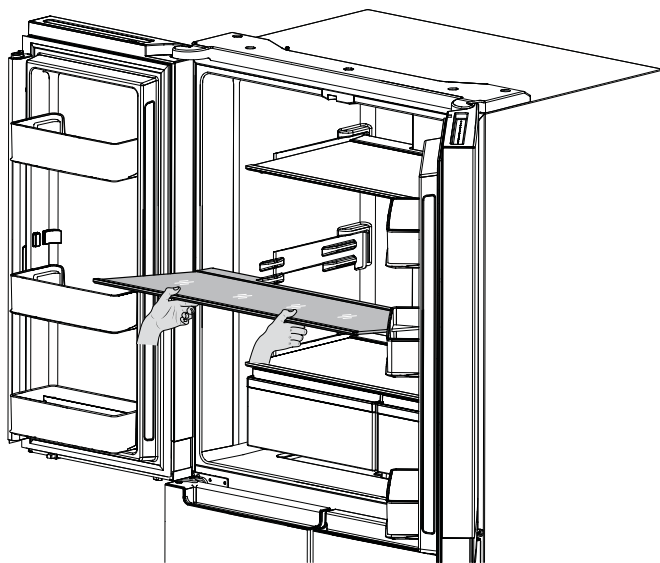
## Регулиране на височината на рафта

Височината на рафта може да се регулира като се промени неговото място от долната опора на горната опора и обратно.

- Отворете напълно дясната вратичка.
- Отворете напълно лявата вратичка и след това повдигнете вратичката, за да я отворите на 180°.



- Извадете рафта от хладилника и го поставете на желаната позиция за монтиране.



- Уверете се, че рафтът е разположен правилно на държачите на рафта.

## Рафтове и рамки на рафтове

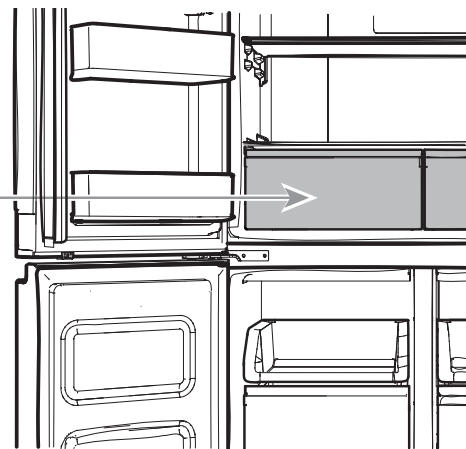
Рафтовете във Вашия хладилник са регулируеми, за да отговарят на Вашите индивидуални нужди за съхраняване. Съхраняването заедно на сходни хранителни продукти във Вашия хладилник и регулирането на рафтовете да отговаря на различните височини на хранителните продукти, ще направи по-лесно откриването на точния продукт. Това също ще намали времето, през което вратичката на хладилника е отворена, като по този начин се спестява електроенергия.

### За сваляне и поставяне на рафтовете:

1. Отворете дясната и лявата вратички напълно и повдигнете и лявата вратичка, за да се отвори на 180°.
2. Сваляте средният или горният рафт, като го повдигнете и извадите от неговите опори. После издърпайте рафта напред и го наклонете надолу, във вертикално положение. Завъртете рафта под ъгъл и го извадете от хладилника.
3. Сваляте долният рафт, като го повдигнете и извадите от неговите опори. После издърпайте рафта напред и го наклонете нагоре, във вертикално положение. Завъртете рафта под ъгъл и го извадете от хладилника.
4. Поставете на място средният и горният рафт като поставите рафта в хладилника под ъгъл с обърната надолу предна част. Повдигнете рафта нагоре и го плъзнете навътре, докато задната част на рафта попадне в опорите на рафта. Снизете предната част на рафта и се уверете, че рафта е поставен на място.
5. Поставете на място долният рафт като поставите рафта в хладилника под ъгъл с повдигнат рафт. Повдигнете предната част на рафта надолу и го плъзнете навътре, докато задната част на рафта попадне в опорите на рафта. Снизете предната част на рафта и се уверете, че рафта е поставен на място.

## Отделения в хладилника за зеленчуци и салати

Отделение в хладилника за зеленчуци и салати



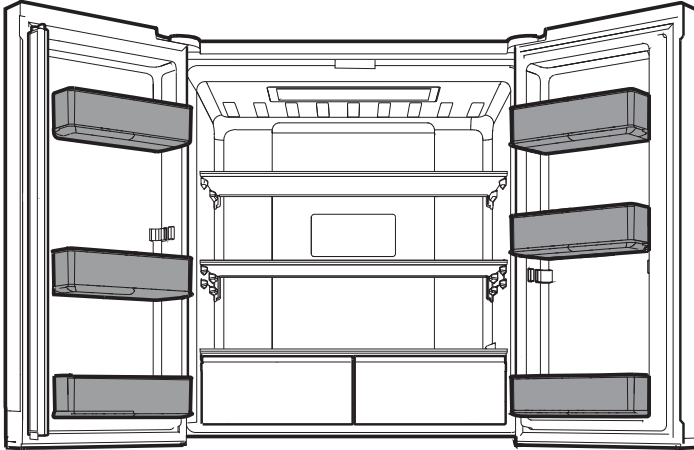
### За да свалите и замените отделения на хладилника за зеленчуци и салати:

1. Хванете дръжката на отделението на хладилника за зеленчуци и салати и го плъзнете докрай. Повдигнете отделението на хладилника за зеленчуци и салати от долния водач.
2. Поставете на място отделението на хладилника за зеленчуци и салати като го поставите на долния водач на отделението и го натиснете, докато застане на своето място.



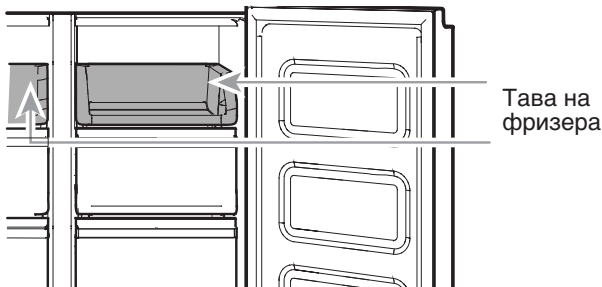
## Поставки на вратата на хладилника

Поставките на вратата на Вашия хладилник са регулируеми, за да отговарят на Вашите индивидуални нужди за съхраняване.



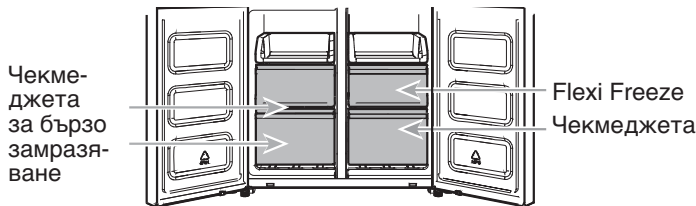
## Отделения за съхранение във фризера

### Тава на фризера



Тавата на фризера е полезна за лесен достъп до често използвани продукти, замразени или просто съхранени остатъци от храни или малки продукти.

### Чекмеджета на фризера



### Отделение за бързо замразяване

- Чекмеджетата на фризера за бързо замразяване Ви позволяват да съхранявате удобно хранителни продукти с голям обем.
- Опцията за бързо замразяване Ви позволява да съхранявате Вашата замразена храна безопасно и открито.

### Отделение Flexi Freeze (само за WQ9 B1L, 6WM591NIHAS и WQ70900SXX)

Отделението Flexi Freeze Ви позволява да изберете едно от трите температурни нива на фризера:  $-7^{\circ}\text{C}$ ,  $-12^{\circ}\text{C}$  и  $-18^{\circ}\text{C}$  за осигуряване на най-добрите условия на съхранение за различни видове храни.

За максимален капацитет на фризера, Вие може да свалите чекмеджето на фризера, за откриване на рафта.

#### За да свалите горното чекмедже:

1. Хванете дръжката на чекмеджето и плъзнете чекмеджето докрай. Повдигнете чекмеджето от долния водач.

2. Поставете на място чекмеджето като го поставите на долния водач на чекмеджето и го натиснете, докато застане на своето място.

### Рафт на фризера (само за WQ9 E1L и WQ9 B1L)

За максимизиране на капацитета на фризера, Вие може да свалите средното чекмедже, за откриване на рафта на фризера. След това, Вие може да съхраните горното чекмедже и да поставите храната направо на горния рафт.

## Справка за звуковите сигнали

### Задание на сигнал

Наименование на тона	Примери на използване
Включено електрозахранване	Охладителната системата се включва всеки път, когато уредът е захранен.
Натискане на клавиш	Потребителят натиска валиден бутон.
Невалиден (Грешка)	Потребителят натиска едновременно два или повече валидни бутона. Прекъсване на отброяване на времето за бутони с натискане и задържане.
Включване	Потвърждаване на влизане във всякакъв режим на работа.
Изключване	Потвърждаване на излизане от всякакъв режим на работа.
Предупредителен сигнал	Предупредителен сигнал за откритата врата.

Тази таблица е само за бърза справка. За повече информация вижте съответния раздел. В случай на противоречивост, ще се вземат предвид описанията, които са посочени в раздела.

## Акcesoари

За поръчка на акcesoари, се свържете с дистрибутора, от който сте закупили Вашият хладилник.

## Техническа помощ или Обслужване

Преди да се обадите за техническа помощ или обслужване, моля, прегледайте раздела "Откриване и отстраняване на неизправности". Това може да Ви спести разхода за телефонното обаждане. Ако все още се нуждаете от помощ, следвайте инструкциите по-долу.

### Ако имате нужда от резервни части

За да откриете от къде може да намерите фабрични резервни части във Вашата зона, свържете се с дистрибутора, от който сте закупили Вашият хладилник.

### Гаранция

За информация относно гаранцията, се свържете се с дистрибутора, от който сте закупили хладилника.

**Съхранявайте заедно тази книжка и Вашата касова бележка, за бъдещи справки. За да получите гаранционно обслужване, Вие трябва да предоставите доказателство за покупката или датата на монтиране.**

Запишете следната информация за Вашия уред, която ще Ви помогне да получите техническа помощ или обслужване, всеки път, когато се нуждаете. Необходимо е да знаете пълният номер на модела и неговият сериен номер. Вие може да намерите тази информация на етикета за модела и серииния номер, който е разположен на вътрешната стена на отделението на хладилника.

Наименование на дистрибутора \_\_\_\_\_

Сериен номер \_\_\_\_\_

Адрес \_\_\_\_\_

Телефонен номер \_\_\_\_\_

Номер на модела \_\_\_\_\_

Дата на закупуване \_\_\_\_\_

# ГРИЖА ЗА ХЛАДИЛНИКА

## Почистване

**ПРЕДУПРЕЖДЕНИЕ**

**Опасност от експлозия**

**Използвайте незапалим миялен препарат.**

**Не спазването на това указание може да доведе до смърт, експлозия или пожар.**

Целият хладилник, фризер и частите Flexi freeze (само за WQ9 B1L, 6WM591N1HAS и WQ70900SXX ) се обезскрежават автоматично. Все пак, почиствайте всички части поне веднъж месечно, за да се избегне натрупване на миризми. Избърсвайте незабавно разлети течности.

### Почистване отвън

Моля, вижте специфична за Вашия модел информация за почистване отвън.

### Стил 1 — Гладка врата

**ВАЖНО:** Повреждането на гладкостта, дължащо се на неправилно използване на продукти за почистване или използване на не препоръчвани продукти за почистване, не се покрива от гаранцията. Остри или притъпени инструменти ще нарушат целостта на гладкостта.

ДА СЕ ИЗПОЛЗВА	ДА НЕ СЕ ИЗПОЛЗВА
<ul style="list-style-type: none"> <li>✓ Мека, чиста кърпа</li> </ul>	<ul style="list-style-type: none"> <li>✗ Абразивки кърпи</li> <li>✗ Хартиени кърпи или вестникарска хартия</li> <li>✗ Стоманени вълнени тампони</li> </ul>
<ul style="list-style-type: none"> <li>✓ Топла, сапунена вода с мек миялен препарат</li> </ul>	<ul style="list-style-type: none"> <li>✗ Абразивни прахове или течности</li> <li>✗ Спрейове за прозорци</li> <li>✗ Амоняк</li> <li>✗ Почистващи препарати на основата на киселина или оцет</li> <li>✗ Почистващи препарати за фурни</li> <li>✗ Запалими течности</li> </ul>

**БЕЛЕЖКА:** Използването на хартиени кърпи предизвиква одраскване и може да доведе до загуба на блясък на светло покритие на боядисана врата. За да се избегне евентуално повреждане, използвайте само меки, чисти кърпи за излъскване и избърсване на вратите.

### Стил 2 — Врата от неръждаема стомана

#### ВАЖНО:

- Използвайте само миялни препарати и кърпи, които се препоръчват за неръждаема стомана. Повреждането на гладкостта на неръждаемата стомана, дължащо се на неправилно използване на продукти за почистване или използване на не препоръчвани продукти за почистване, не се покрива от гаранцията.
- Да се избягва излагане на уреди от неръждаема стомана на разяждащи и корозивни елементи като силно солени и силно влажни среди или среди с повишена влажност. Повреждане дължащо се на излагане на тези елементи, не се покрива от гаранцията.

ДА СЕ ИЗПОЛЗВА	ДА НЕ СЕ ИЗПОЛЗВА
<ul style="list-style-type: none"> <li>✓ Мека, чиста кърпа</li> </ul>	<ul style="list-style-type: none"> <li>✗ Абразивки кърпи</li> <li>✗ Хартиени кърпи или вестникарска хартия</li> <li>✗ Стоманени вълнени тампони</li> </ul>
<ul style="list-style-type: none"> <li>✓ Топла, сапунена вода с мек миялен препарат</li> </ul>	<ul style="list-style-type: none"> <li>✗ Абразивни прахове или течности</li> <li>✗ Амоняк</li> <li>✗ Миялни препарати на основата на цитрусови плодове</li> <li>✗ Почистващи препарати на основата на киселина или оцет</li> <li>✗ Почистващи препарати за фурни</li> </ul>
<ul style="list-style-type: none"> <li>✓ При тежко замърсяване, използвайте само миялен препарат за почистване на неръждаема стомана, предназначен за домакински уреди. За поръчка на миялен препарат, се свържете с дистрибутора, от който сте закупили Вашият хладилник.</li> </ul>	<ul style="list-style-type: none"> <li>✗ Миялен препарат за почистване на неръждаема стомана, трябва да се използва само за почистване на частите от неръждаема стомана. Да не се позволява на миялни препарати за почистване на неръждаема стомана или полиращи препарати за почистване да влизат в контакт с пластмасови части като режещи части, капаци на диспенсъри или уплътнения на вратите.</li> </ul>

### Стил 3 — Неръждаема стомана, устойчива на пръстови отпечатъци

#### ВАЖНО:

- Да се избягва излагане на уреди от неръждаема стомана на разяждащи и корозивни елементи като силно солени и силно влажни среди или среди с повишена влажност. Повреждане дължащо се на излагане на тези елементи, не се покрива от гаранцията.

ДА СЕ ИЗПОЛЗВА	ДА НЕ СЕ ИЗПОЛЗВА
<ul style="list-style-type: none"> <li>✓ Мека, чиста кърпа</li> </ul>	<ul style="list-style-type: none"> <li>✗ Абразивки кърпи</li> <li>✗ Хартиени кърпи или вестникарска хартия</li> <li>✗ Стоманени вълнени тампони</li> </ul>
<ul style="list-style-type: none"> <li>✓ Топла, сапунена вода с мек миялен препарат</li> </ul>	<ul style="list-style-type: none"> <li>✗ Абразивни прахове или течности</li> <li>✗ Спрейове за прозорци</li> <li>✗ Амоняк</li> <li>✗ Почистващи препарати на основата на киселина или оцет</li> <li>✗ Почистващи препарати за фурни</li> <li>✗ Запалими течности</li> </ul>

## БЕЛЕЖКИ:

- Ако възникне неволен контакт, почистете пластмасовите части с гъба и мек миялен препарат, разтворен в топла вода. Подсушете напълно с мека кърпа.
- Само защото миялният препарат е течност, това не означава, че не е абразивен. Много течни миялни препарати, формулирани да бъдат меки по отношение на облицовани и гладки повърхности, все пак могат да повредят части от неръждаема стомана.
- Лимонената киселина обезцветява трайно неръждаемата стомана.
- За да се избегне повреждане на гланца на Вашия хладилник от неръждаема стомана:

### Не позволявайте на тези вещества да останат върху гланца:

- ✗ Горчица
- ✗ Сосове на основата на цитрусови плодове
- ✗ Доматен сок
- ✗ Продукти на основата на цитрусови плодове
- ✗ Маринован сос

## Почистване отвътре

1. Извадете щепсела от контакта или изключете захранването.
2. Старателно измийте на ръка, изплакнете и подсушете напълно сваляемите части и вътрешните повърхности. Използвайте чиста гъба или мека кърпа и мек миялен препарат, разтворен в топла вода.

**БЕЛЕЖКА:** Не използвайте абразивни или груби миялни препарати като спрейове за прозорци, препарати за лъскане, запалими течности, почистващи вакси, концентрирани детергенти, белина или миялни препарати, съдържащи петролни продукти, върху пластмасовите части, вътрешността и уплътненията или изолацията на вратата.

3. Включете хладилника или възстановете електрозахранването.

## Почистване на кондензатора

Този хладилник е снабден със skin кондензатор от двете страни на хладилника. Нормално е да се загрее от двете страни.

## Лампи

Лампите в отделенията на хладилника и фризера са светодиоди, които не се нуждаят от смяна. Ако лампите не светят, когато е отворена вратата, свържете се с дистрибутора, от който сте закупили Вашия хладилник.

## Ваканция и Грижи за преместване

### Ваканции

#### Ако изберете да оставите хладилника включен, когато отсъствате:

1. Изразходвайте докрай каквито и да е лесно развалящи се и замразени храни.
2. Ако Вашият хладилник е снабден с автоматичен ледогенератор и той е свързан към крана на водата за битови нужди, затворете крана. Могат да възникнат материални щети, ако не е спряно подаването на вода.
3. Ако разполагате с автоматичен ледогенератор, изключете го.
  - Натиснете превключвателят в позиция Off (O), за ледогенератора на вратата.
4. Изпразнете кофичката за лед.

#### Ако изберете да изключите хладилника, преди да отидете във ваканция:

**БЕЛЕЖКА:** Докато сте във ваканция, настройте хладилника на режим на работа "Demo". Вижте за справка раздел "Използване и устройствата за управление".

1. Извадете всичката храна от хладилника.
2. Ако Вашият хладилник е снабден с автоматичен ледогенератор:
  - Затворете крана за подаване на вода към ледогенератора, поне 1 ден преди заминаването.
  - Когато последното зареждане с лед се намали, натиснете превключвателят в позиция Off (O), докато дисплей стане неосветен в горната вътрешна страна на хладилника, в зависимост от модела.
3. Изпразнете кофичката за лед.
4. Изключете температурните регулатори. Вижте за справка раздел "Използване и устройства за управление".
5. Почистете хладилника, избършете го и подсушете добре.
6. Залепете гумени или дървени блокчета в горната част на двете врати, за да ги поддържате достатъчно отворени, за да може да влиза въздух. По този начин се спира натрупването на миризми и прах.

## Преместване

Ако възнамерявате да преместите Вашият хладилник в новото Ви жилище, следвайте тези стъпки, за да го подготвите за преместването.

1. Ако Вашият хладилник е снабден с автоматичен ледогенератор:
  - Затворете крана за подаване на вода към ледогенератора, поне 1 ден преди преместването.
  - Разкачете тръбата за подаване на вода от задната част на хладилника.
  - Когато последното зареждане с лед се намали, натиснете превключвателят в позиция Off (O), или на ледогенератора, или на управлението, в зависимост от модела.
2. Извадете всичката храна от хладилника и опаковайте всичката замразена храна в сух лед.
3. Изпразнете кофичката за лед.
4. Извадете щепсела на хладилника от контакта.
5. Почистете, избършете и подсушете напълно.
6. Извадете всички сваляеми части, обвийте ги добре и ги залепете заедно, така че да не се движат и тропат по време на преместване.
7. В зависимост от модела, повдигнете предната част на хладилника, така че да може да се премества лесно, или повдигнете нивелиращите винтове, така че те да не стържат по пода. Вижте за справка разделите "Регулиране на вратите" или "Нивелиране на хладилника и Затваряне на вратата".
8. Поставете тиксо на вратите, за да останат затворени и закрепете захранващият кабел с помощта на тиксо на задната част на хладилника.

Когато пристигнете в новото Ви жилище, поставете всичко обратно и вижте за справка раздел "Инструкции за монтиране". Също така, ако Вашият хладилник е снабден с ледогенератор, не забравяйте да свържете отново водозахранването към хладилника.

# ОТКРИВАНЕ И ОТСТРАНЯВАНЕ НА НЕИЗПРАВНОСТИ

Първо опитайте предложените тук решения, за да избегнете евентуално телефонно обаждане за обслужване.

## ⚠ ПРЕДУПРЕЖДЕНИЕ



### Опасност от токов удар

Включете в заземен извод.

Да не се сваля разклонението за заземяване.

Да не се използва адаптер.

Да не се използва удължителен шнур.

Неспазването на тези инструкции може да доведе до смърт, пожар или токов удар.

Ако претърпите	Възможни причини	Решение
<b>Работа на хладилника</b>		
Хладилникът не работи.	Проверете електрозахранването.	Включете захранващият кабел в заземен контакт. Да не се използва удължителен кабел. Уверете се, че в контакта има ток. Включете лампа в контакта, за да видите дали той работи. Нулирайте изключващият прекъсвач. Сменете всякакви изгорели предпазители. <b>БЕЛЕЖКА:</b> Ако проблема продължава да съществува, свържете се с електротехник.
	Проверете устройствата за управление.	Уверете се, че устройствата за управление са включени. Вижте за справка раздел "Използване на устройствата за управление".
	Ново монтиране.	За пълно охлаждане на хладилника, изчакайте 24 часа след неговото монтиране. <b>БЕЛЕЖКА:</b> Регулирането на температурните регулатори на най-студената настройка, няма да охладят по-бързо нито едно отделение на хладилника.
	Регулатор на хладилника е в режим "Demo" (при някои модели).	Ако хладилникът е в режим "Demo", охлаждането е изключено и "Demo" ще бъде осветен на контролния панел. За повече информация, вижте за справка раздел "Използване и устройствата за управление".

# ОТКРИВАНЕ И ОТСТРАНЯВАНЕ НА НЕИЗПРАВНОСТИ

Първо опитайте предложените тук решения, за да избегнете евентуално телефонно обаждане за обслужване.

Ако претърпите	Възможни причини	Решение
Изглежда, че моторът работи прекалено много.	Високоэффективен компресор и вентилатори.	По-големи, по-ефективни хладилници работят по-дълго на по-ниски, енергийно ефективни обороти.
	Стайната температура или външната температура е висока.	Нормално е хладилникът да работи по-дълго при тези условия. За оптимална производителност, поставете хладилника на закрито, в среда с контролирана температура. Вижте за справка раздел "Изисквания за мястото на монтиране на хладилника".
	Неотдавна в хладилника е сложена голямо количество топла храна.	При слагане на топла храна, хладилникът ще работи по-дълго, докато въздухът се охлади до желаната температура.
	Вратата(ите) се отваря(т) твърде често или за твърде дълго време.	Когато в хладилника е влязъл топъл въздух, той работи по-повече. Отваряйте вратите по-рядко.
	Вратата на хладилника или чекмеджето на фризера е отворена(о).	Уверете, че хладилникът е нивелиран. Вижте за справка раздел "Нивелиране на хладилника и Затваряне на вратата". Разположете храната и съдовете с храна, така че да не блокират вратата.
	Регулаторът на хладилника е настроен на твърде студена температура.	Настройте регулатора на по-малко студена настройка, докато температурата в хладилника стане като тази желаната.
	Уплътнението на вратата или чекмеджето е мръсно, изхабено или напукано.	Почистете или сменете уплътнението. Наличието на течове през уплътнението на вратата, ще предизвика по-дълга работа на хладилника, за да се поддържат желаните температури.
Осветлението не работи.	Вашият хладилник е снабден със светодиодно (LED) осветление и не е необходимо да се извършва смяна.	Ако електрозахранването на хладилника не е изключено и осветлението не свети, когато вратата или чекмеджето е отворена(о), обадете се, за да получите съответното обслужване или помощ.
	Вратата е била отворена повече от 10 минути.	За да възстановите осветлението, затворете вратите и чекмеджето, за да нулирате и отворите отново.
	Превключвателят на вратата не възприема отварянето на вратата.	Уверете се, че няма магнит или електронни устройства в рамките на 7,62 cm (3") от капачката на шарнира.
Температурният регулатор UI не се включва.	Температурният регулатор UI не се задейства.	Натиснете който и да е бутон на UI, за да задействате температурният регулатор UI.
	Бутоните на температурния регулатор UI не работят добре.	Опитайте с циклично захранване на хладилника, за да нулирате бутоните. Ако проблема продължава да съществува, обадете се, за да получите съответното обслужване или помощ.
	Температурният регулатор UI не се захранва.	Проверете кабелите в шарнира на вратата.
Не можете да извършите регулиране на настройката на температурния регулатор UI.	Вратата е отворена и алармата за откритата врата е активирана.	Затворете вратата.

# ОТКРИВАНЕ И ОТСТРАНЯВАНЕ НА НЕИЗПРАВНОСТИ

Първо опитайте предложените тук решения, за да избегнете евентуално телефонно обаждане за обслужване.

Ако претърпите	Възможни причини	Решение
<b>Необичаен шум</b>		
За да чуete нормалните звуци на хладилника, идете в раздел "Помощ за продукта/Често задавани въпроси" ("Product Help/FAQ") на фирмения уебсайт и потърсете "нормални звуци." По-долу са посочени някои нормални звуци със съответните обяснения.		
Хладилникът изглежда шумен.	Компресорът във Вашия нов хладилник регулира температурата по-ефективно, когато използва по-малко енергия и работи тихо.	Поради това намаляване на работния шум, може да забележите непознати шумове, които са нормални.
Звукът на компресора е по-дълъг от очакваното.	Високоэффективен компресор и вентилатори.	По-големи, по-ефективни хладилници работят по-дълго при ни-ниски, енергийно ефективни обороти.
Вибриране/Бръмчене	Регулиране на вентилаторите/компресора, за да се оптимизира производителността по време на нормална работа на компресора.	Това е нормално.
Излизане на пара през предпазен вентил	Свиване/разширяване на вътрешните стени, особено по време на първоначално охлаждане.	Това е нормално.
Свистене/Капене	Поток на охладител или поток на масло в компресора.	Това е нормално.
Вибриране	Хладилникът може да не е стабилен.	Регулирайте нивелиращите винтове и снижете нивелиращият крак солидно спрямо пода. Вижте за справка раздел "Нивелиране на хладилника и Затваряне на вратата".
Тракане/Хлопане	Движение на тръбите за вода срещу корпуса на хладилника или хранителните продукти са поставени в горната част на корпуса на хладилника.	Преместете излишната тръба на водата от корпуса на хладилника или затегнете излишната тръба на корпуса на хладилника. Вижте за справка раздел "Свързване на водозахранването" или махнете хранителни продукти от горната част на хладилника.
Пръцене	Капене на вода върху нагревателя по време на цикъла на обезскрежаване.	Това е нормално.
Течене на вода/Бълбукане	Може да се чуе, когато се топи леда по време на цикъла на обезскрежаване и водата се оттича в тавата за оттичане.	Това е нормално.

# ОТКРИВАНЕ И ОТСТРАНЯВАНЕ НА НЕИЗПРАВНОСТИ

Първо опитайте предложените тук решения, за да избегнете евентуално телефонно обаждане за обслужване.

Ако претърпите	Възможни причини	Решение
<b>Температура и влажност</b>		
Температурата е твърде висока.	Хладилникът е току-що монтиран.	За пълно охлаждане на хладилника, изчакайте 24 часа след неговото монтиране.
	Регулаторите не са настроени правилно за условията на околната среда.	Регулирайте регулаторите на по-студена настройка. Проверявайте температурата през 24 часа. Вижте за справка раздел "Използване на устройствата за управление".
	Вратата(ите) се отварят често и не се затварят напълно. Това позволява влизане на топъл въздух в хладилника.	Сведете до минимум отварянията на вратата и дръжте вратите напълно затворени.
	Напоследък е прибавено голямо количество храна в хладилника.	Изчакайте няколко часа, за да се възстанови нормалната температура в хладилника.
	Включен е режим "Demo".	Изключете режима "Demo". Вижте за справка раздел "Използване и устройствата за управление".
	Включен е режим "Ваканция".	Изключете режима "Ваканция". Вижте за справка раздел "Използване и устройствата за управление".
Температурата в хладилника/отделението за зеленчуци и салати е твърде ниска.	Вентилационният(ите) отвор(и) е(са) блокирани.	Ако вентилационният отвор, разположен по средата отзад на отделението на хладилника, е блокиран от хранителни продукти, които са поставен пред него, хладилникът ще стане прекалено студен. Отместете хранителните продукти от вентилационния отвор.
	Регулаторите не са настроени правилно за условията на околната среда.	Регулирайте регулаторите на по-топла настройка. Проверявайте температурата през 24 часа. Вижте за справка раздел "Използване на устройствата за управление".
	Кофичката за съхранение на лед не е поставена правилно.	Вижте за справка раздел "Ледогенератор и кофичка за съхранение на лед".
Температурата в чекмеджето с контролирана температура е твърде ниска.	Регулаторът не е настроен правилно за храните, които се съхраняват в чекмеджето.	Регулирайте настройката на температурата. Вижте за справка "Използване и устройствата за управление" в раздел "Използване на хладилника".
Има натрупване на влага в хладилника. <b>БЕЛЕЖКА:</b> Натрупване на малко влага е нормално.	Стаята е влажна.	Влажната среда допринася за натрупване на влага.
	Вратата(ите) се отварят често и не се затварят напълно. Това позволява влизане на влажен въздух в хладилника.	Сведете до минимум отварянията на вратата и затваряйте вратите напълно.
	Вратата(и) се блокира(т) в отворено положение.	Отместете опаковките с храна от вратата.
	Блокирането е предизвикано от кофичка или рафт.	Бутнете назад кофичката или рафта, за да се позиционират правилно.
	Съхраняване на течности в отворени съдове.	Това води до увеличаване на влажността в хладилника. Съхранявайте всички съдове плътно покрити.
Има натрупване на скреж/лед в отделението на фризера.	Вратата се отваря често и се оставя отворена.	Сведете до минимум отварянията и затваряйте чекмеджетата напълно след използване.
	Уплътнението на вратата е лошо.	Уверете се, че уплътненията на вратата правят пълен контакт с корпуса на хладилника, за да се позволи подходящо уплътняване.
	Температурните регулатори не са настроени правилно.	За препоръчаните настройки на температурата, вижте за справка раздел "Използване и устройствата за управление".

# ОТКРИВАНЕ И ОТСТРАНЯВАНЕ НА НЕИЗПРАВНОСТИ

Първо опитайте предложените тук решения, за да избегнете евентуално телефонно обаждане за обслужване.

**⚠ ПРЕДУПРЕЖДЕНИЕ**



**Опасност от експлозия**  
**Използвайте незапалим миялен препарат.**  
**Не спазването на това указание може да доведе до смърт, експлозия или пожар.**

За да видите анимация показваща как се извършва регулирането и подравняването на вратите, идете в раздел “Помощ за продукта/Често задавани въпроси” (“Product Help/FAQ”) на фирмения уебсайт и потърсете “Затваряне на вратите и Подравняване на вратите.”

Ако претърпите	Възможни причини	Решение
<b>Врати</b>		
Вратите не се затварят напълно.	Вратата се блокира в отворено положение.	Отместете опаковките с храна от вратата.
	Блокирането е предизвикано от кофичка или рафт.	Бутнете назад кофичката или рафта, за да се позиционират правилно.
	Наскоро монтиран	Свалете всички опаковъчни материали.
Вратите се отварят трудно.	Уплътненията на вратата са мръсни и лепкави.	Почистете уплътненията и контактните повърхности с мек сапун и топла вода. Изплакнете и подсушете с мека кърпа.
Вратите изглеждат не подравнени.	Подравнете вратите или нивелирайте хладилника.	Ако се нуждаете от подравняване на вратата, обадете се в сервиза за обслужване на клиенти.
Хладилникът е нестабилен или се премества напред, когато отваряте и затваряте вратите.	Спирачните крака на хладилника не прилягат плътно на пода.	Завъртете и двата спирачни крака (по един на всяка страна) еднакво по посока на часовниковата стрелка, докато те прилегнат плътно на пода. Вижте за справка раздел “Нивелиране на хладилника и Затваряне на вратата”.



# Sadržaj

<b>SIGURNOST HLADNJAKA</b> .....	<b>322</b>
Pravilno odlaganje vašeg starog hladnjaka .....	325
<b>DIJELOVI I ZNAČAJKE</b> .....	<b>326</b>
<b>UPUTE ZA POSTAVLJANJE</b> .....	<b>327</b>
Početak rada .....	327
Raspakiranje hladnjaka.....	327
Zahtjevi u vezi s položajem .....	328
Električni zahtjevi .....	328
Uklanjanje i zamjena vrata hladnjaka .....	330
Skidanje i vraćanje na mjesto vrata zamrzivača/ značajke Flexi Freeze .....	332
Niveliranje hladnjaka .....	333
Korištenje komandi.....	334
Rasvjeta hladnjaka.....	335
<b>KORIŠTENJE HLADNJAKA</b> .....	<b>336</b>
Otvaranje i zatvaranje vrata .....	336
Čuvanje hrane .....	336
<b>POLICE, POSUDE I LADICE</b> .....	<b>337</b>
Odjeljci za čuvanje u zamrzivaču.....	338
Zvučne obavijesti .....	338
Pribor.....	338
Pomoć ili servis .....	338
<b>ODRŽAVANJE HLADNJAKA</b> .....	<b>339</b>
Čišćenje.....	339
Svjetla.....	340
Održavanje prilikom praznika i selidbe .....	340
<b>OTKLANJANJE POTEŠKOĆA</b> .....	<b>341</b>

# SIGURNOST HLADNJAKA

## Vaša sigurnost i sigurnost drugih osoba vrlo je važna.

U ovom priručniku i na vašem uređaju naveli smo mnogo važnih poruka. Uvijek čitajte i pridržavajte se svih sigurnosnih poruka.



Ovo je sigurnosni simbol upozorenja.

Ovaj vas simbol upozorava na potencijalne opasnosti koje mogu ubiti vas ili druge osobe.

Sve sigurnosne poruke slijedit će sigurnosni simbol upozorenja te riječi „OPASNOST” ili „UPOZORENJE.”

Te riječi znače sljedeće:

**⚠ OPASNOST**

**Možete smrtno stradati ili se ozbiljno ozlijediti ako odmah ne postupite prema uputama.**

**⚠ UPOZORENJE**

**Možete smrtno stradati ili biti ozbiljno ozlijeđeni ako ne postupite prema uputama.**

Sve sigurnosne poruke će vam reći što je potencijalna opasnost i reći će vam kako smanjiti šansu za ozljeđivanje, te što se može dogoditi ako se ne postupi prema uputama.

## SIGURNOSNE UPUTE

Prije korištenja aparata, pročitajte ove sigurnosne upute. Držite ih u svojoj blizini za kasniju uporabu. U ovim se uputama i na samom aparatu nalaze važna sigurnosna upozorenja kojih se je potrebno pridržavati u svakom trenutku. Proizvođač odbacuje svaku odgovornost za nepridržavanje ovih sigurnosnih uputa, za neprimjereno korištenje aparata ili nepravilno određivanje postavki kontrola.

△ Vrlo mala djeca (u dobi od 0 do 3 godine) trebaju se držati podalje od aparata. Djeca mlađeg uzrasta (u dobi od 3 do 8 godina) trebaju se držati podalje od aparata osim ako nisu pod stalnim nadzorom. Ovaj aparat mogu upotrebljavati djeca u dobi od 8 godina i starija te osobe sa smanjenim tjelesnim, osjetnim ili mentalnim sposobnostima ili pomanjkanjem iskustva i znanja samo ako su pod nadzorom ili su dobila upute o sigurnoj upotrebi uređaja te ako razumiju povezane opasnosti. Djeca se ne smiju igrati s aparatom. Djeca ne smiju čistiti i provoditi njegovo korisničko održavanje bez nadzora.

### DOZVOLJENA UPORABA

△ OPREZ: Aparat nije namijenjen za rad pomoću vanjskog rasklopnog uređaja, poput tajmera, ili zasebnog daljinski upravljano sustava.

△ Ovaj aparat namijenjen je za korištenje u kućanstvima i za slične primjene kao što su: kuhinjski prostori za osoblje u prodavaonicama, uredima i ostalim radnim sredinama; farme; jedinice za smještaj klijenata u hotelima, motelima, objektima za noćenje s doručkom i ostalim stambenim sredinama.

△ Ovaj aparat nije namijenjen za profesionalnu uporabu. Aparat ne koristite na otvorenom.

△ Aparat je projektiran za rad na mjestima na kojima se temperatura u okolini kreće unutar sljedećih raspona, u skladu s klimatskim razredom navedenim na nazivnoj pločici. Aparat možda neće pravilno raditi ako je dugo vremena ostavljen na temperaturi izvan navedenog raspona.

Klimatski razred okol. T. (°C)

SN: Od 10 do 32 °C; N: Od 16 do 32 °C

ST: Od 16 do 38 °C; T: Od 16 do 43 °C

△ Ovaj aparat ne sadrži plinove CFC. Krug rashladnog sredstva sadrži R600a (HC). Aparati s izobutanom (R600a): izobutan je prirodni plin bez štetnog utjecaja na okoliš, ali je zapaljiv. Stoga se uvjerite da cijevi kruga rashladnog sredstva nisu oštećene, osobito prilikom pražnjenja kruga s rashladnim sredstvom.

△ UPOZORENJE: Nemojte oštetiti cijevi kruga s rashladnim sredstvom aparata.

△ UPOZORENJE: Ventilacijski otvori na kućištu ili na ugradbenoj strukturi aparata ne smiju biti blokirani.

## OBAVEZNO PROČITAJTE I PRIDRŽAVAJTE SE

△ UPOZORENJE: Ne koristite nikakva mehanička, električna ili kemijska sredstva za ubrzavanje procesa odmrzavanja osim onih koje je preporučio Proizvođač.

△ UPOZORENJE: Ne koristite niti ne stavljajte električne uređaje unutar odjeljaka aparata ako nisu od tipa kojeg je Proizvođač izričito odobrio.

△ UPOZORENJE: Uređaji za pravljenje leda i/ili dozatori vode koji nisu izravno spojeni na dovod vode moraju biti napunjeni samo pitkom vodom.

△ UPOZORENJE: Automatski ledomati i/ili dozatori vode moraju se spojiti na dovod vode koji isporučuje samo pitku vodu, s vodenim tlakom unutar vodovodne mreže u koji iznosi između 0,17 i 0,81 MPa (1,7 i 8,1 bara).

△ U ovom aparatu ne držite eksplozivne tvari kao što su limenke aerosola sa zapaljivim propelantom.

△ Nemojte gutati sadržaj (neotrovan) paketića s ledom (dostavljenih s nekim modelima). Kockice leda ili ledene lizalice ne jedite odmah nakon vađenja iz zamrzivača budući da bi mogli prouzročiti smrzotine.

△ U slučaju proizvoda osmišljenih za korištenje filtra za zrak unutar pristupačnog poklopca ventilatora, filter uvijek mora biti na svojem mjestu dok je hladnjak u funkciji.

△ Staklene spremnike s tekućinama ne čuvajte u odjeljku zamrzivača budući da bi mogli popucati. Ne blokirajte ventilator (ako je uključen u aparat) prehrambenim artiklima. Nakon stavljanja hrane u aparat, provjerite jesu li se vrata pretinaca pravilno zatvorila, osobito vrata zamrzivača.

△ Oštećene brtve moraju se zamijeniti što je prije moguće.

△ Odjeljak hladnjaka koristite samo za čuvanje svježe hrane, a odjeljak zamrzivača samo za čuvanje smrznute hrane, smrznute svježe hrane i pravljenje kockica leda.

△ Izbjegavajte čuvanje nezamotane hrane u izravnom kontaktu s unutarnjim površinama odjeljaka hladnjaka ili zamrzivača. Aparati mogu imati posebne odjeljke (odjeljak za svježu hranu, kutija za nula stupnjeva, itd.). Osim tako nije navedeno u specifičnoj brošuri proizvođača, njih je moguće ukloniti, zadržavajući jednake performanse.

### POSTAVLJANJE

△ Aparatom moraju rukovati i moraju ga postaviti dvije ili više osoba - postoji rizik od ozljede. Tijekom raspakiranja i postavljanja koristite zaštitne rukavice - rizik od posjekotina.

△ Postavljanje, uključujući i dovod vode (ako ga ima) i spajanje električnih priključaka te popravke mora obavljati kvalificirani tehničar. Ne popravljajte niti ne mijenjajte nijedan dio aparata osim ako to nije jasno navedeno u korisničkom priručniku. Djecu držite podalje od mjesta postavljanja.

Nakon raspakiranja aparata provjerite je li se oštetio tijekom prijevoza. U slučaju problema, obratite se trgovcu ili vama najbližoj postprodajnoj službi. Nakon postavljanja aparata, ambalažni otpad (plastiku, dijelove od stiropora itd.) morate pohraniti izvan dohvata djece - postoji rizik od gušenja. Aparat mora biti odvojen od izvora električnog napajanja prije bilo kave radnje postavljanja - postoji rizik od strujnog udara. Pazite da tijekom postavljanja aparat ne ošteti priključni kabel - postoji rizik od požara ili strujnog udara. Aparat aktivirajte tek nakon što ste završili s postavljanjem.

⚠ Pazite da ne oštetite podove (npr. parket) prilikom pomicanja aparata. Aparat postavite na pod ili na podlogu koja je dovoljno jaka da može izdržati njegovu težinu i na mjestu prikladnom za njegovu veličinu i uporabu. Uvjerite se da se aparat ne nalazi u blizini izvora topline, da su njegove četiri nožice stabilne i da su u doticaju s podom, namjestite ih prema potrebi, a zatim pomoću libele s alkoholom provjerite je li aparat savršeno niveliran. Čekajte barem dva sata prije nego što uključite aparat kako biste omogućili da krug s rashladnim sredstvom bude potpuno učinkovit.

⚠ Kako biste zajamčili odgovarajuće ventiliranje, ostavite prazan prostor s obje strane aparata i iznad njega. Razmak stražnjeg dijela aparata i zida iza njega treba biti 50 mm, kako biste onemogućili pristup vrućim površinama. Smanjenje tog prostora povećat će potrošnju energije proizvoda.

⚠ UPOZORENJE: Kako biste izbjegli opasnost koja nastaje zbog nestabilnosti, pozicioniranje ili pričvršćivanje aparata mora se provesti u skladu s uputama proizvođača. Hladnjak je zabranjeno postaviti na takav način da metalno crijevo plinskog štednjaka, metalne plinske ili vodovodne cijevi ili električne žice dolaze u doticaj sa stražnjim zidom hladnjaka (zavojnica kondenzatora).

⚠ Ako je nužno zamijeniti vrata, molimo vas da se javite u Centar za tehničku pomoć.

### **ELEKTRIČNA UPOZORENJA**

⚠ Mora postojati mogućnost isključivanja uređaja iz struje izvlačenjem utikača iz utičnice ako je on dostupan ili to učiniti pomoću višepolne sklopke instalirane uzvodno od utičnice u skladu s pravilima ožičenja, a uređaj se mora uzemljiti u skladu s nacionalnim sigurnosnim standardima za električnu struju.

⚠ Ne koristite produžne kabele, višestruke utičnice ili adaptere. Električne komponente moraju biti dostupne korisniku nakon postavljanja. Aparat ne koristite ako ste mokri ili bosih nogu. Ovaj aparat ne puštajte u rad ako mu je oštećen priključni kabel ili utikač, ili ako ne radi kako treba, ili ako bio oštećen ili je pao.

⚠ Ako je priključni kabel oštećen, proizvođač, njegov servisni predstavnik ili osoba sličnih kvalifikacija ga mora zamijeniti jednakim kako bi se izbjegla opasnost - postoji rizik od strujnog udara.

⚠ UPOZORENJE: Prilikom pozicioniranja aparata, uvjerite se da kabel za mrežni priključak nije uklješten ili oštećen.

⚠ UPOZORENJE: Višestruke prijenosne utičnice li prijenosne izvore napajanja ne postavljajte na stražnji dio aparata.

### **ČIŠĆENJE I ODRŽAVANJE**

⚠ UPOZORENJE: Uvjerite se da je aparat isključen i odvojen od električnog napajanja prije nego što izvršite bilo kakvu radnju održavanja; nikada ne koristite opremu za timsko čišćenje - postoji rizik od strujnog udara.

⚠ Abrazivna ili oštra sredstva za čišćenje kao što su sprejevi za čišćenje prozora, sredstva za ribanje, zapaljive tekućine, voskovi za čišćenje, koncentrirani deterdženti, izbjeljivači ili sredstva za čišćenje koja sadrže proizvode od petroleja ne upotrebljavajte na plastičnim dijelovima, unutarnjim prevlakama i prevlakama na vratima ili na brtvama. Ne upotrebljavajte papirnate ručnike, jastučice za ribanje ili oštra sredstva za čišćenje.

### **ODLAGANJE AMBALAŽNIH MATERIJALA**

Ambalažni materijal moguće je reciklirati 100% i označen je simbolom recikliranja ♻.

Stoga se razni dijelovi ambalaže moraju zbrinuti odgovorno i u potpunosti sukladnosti s lokalnim odredbama nadležnih tijela koja upravljaju odlaganjem otpada.

### **ODLAGANJE KUĆANSKIH APARATA**

Ovaj aparat proizveden je od materijala koje je moguće reciklirati ili ponovno upotrijebiti. Odložite ga na otpad u skladu s državnim i lokalnim odredbama. Da biste dobili dodatne informacije o postupanju, uporabi i recikliranju električnih kućanskih aparata, obratite se svojim lokalnim tijelima vlasti, službi za prikupljanje otpada iz kućanstva ili prodavaonici u kojoj ste kupili aparat. Ovaj aparat označen je u sukladnosti s europskom Direktivom 2012/19/EU o otpadnoj električnoj i elektroničkoj opremi (OEEO). Osiguravanjem pravilnog odlaganja ovog proizvoda, pomoći ćete u sprječavanju negativnih posljedica za okoliš i zdravlje ljudi.

Simbol ♻ na proizvodu ili na pratećoj dokumentaciji pokazuje da s njim ne treba postupati kao s kućanskim otpadom već ga se mora odvesti u odgovarajući centar za zbrinjavanje radi recikliranja električne i elektroničke opreme.

### **SAVJETI ZA UŠTEDU ENERGIJE**

Aparat postavite na suho, dobro provjetreno mjesto udaljeno od svakog izvora topline (npr. radijatora, štednjaka, itd.) i na mjestu koje nije izravno izloženo suncu. Prema potrebi, upotrijebite izolacijsku ploču.

Kako biste zajamčili odgovarajuću ventilaciju, slijedite upute za postavljanje. Nedovoljna ventilacija na stražnjem dijelu proizvoda povećava potrošnju energije i smanjuje učinkovitost hlađenja.

Često otvaranje vrata može prouzročiti povećanje potrošnje energije. Na unutarnju temperaturu aparata i potrošnju energije može utjecati i temperatura okoline, kao i mjesto na kojem se aparat nalazi. Postavka temperature treba uzeti u obzir te čimbenike.

Otvor vrata smanjite na najmanju mjeru.

Kada odmrzavate smrznutu hranu, stavite je u hladnjak. Niska temperatura smrznutih proizvoda hladi hranu u hladnjaku. Dopustite da se topla hrana i pića ohlade prije nego što ih stavite u aparat.

Položaj police u hladnjaku ne utječe na učinkovito korištenje energije. Hranu treba stavljati na police na takav način da se osigura pravilno cirkuliranje zraka (hrana se ne bi smjela međusobno doticati i trebalo bi zadržati razmak između hrane i stražnjeg zida).

Korisnu zapreminu smrznute hrane možete povećati uklanjanjem košara i ako je prisutna, policom Stop Frost.

Ne brinite zbog zvukova buke koji dolaze iz kompresora, a koji su u kratkom vodiču ovog proizvoda opisani kao normalna buka.



## Pravilno odlaganje vašeg starog hladnjaka

### **⚠ UPOZORENJE**

#### Opasnost od gušenja

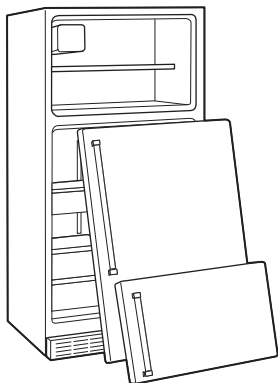
**Skinite vrata sa svojeg starog hladnjaka.**

**U slučaju da to ne učinite, može doći do smrti ili oštećenja mozga.**

**VAŽNO:** Uklještenje i gušenje djece nisu problemi koji pripadaju prošlosti. Rastavljeni ili napušteni hladnjaci su još uvijek opasni— čak i ako će se odložiti na „samo nekoliko dana.“ Ako se rješavate svojeg starog hladnjaka, slijedite upute kako biste spriječili događanje nezgoda.

#### Prije bacanja vašeg starog hladnjaka ili zamrzivača:

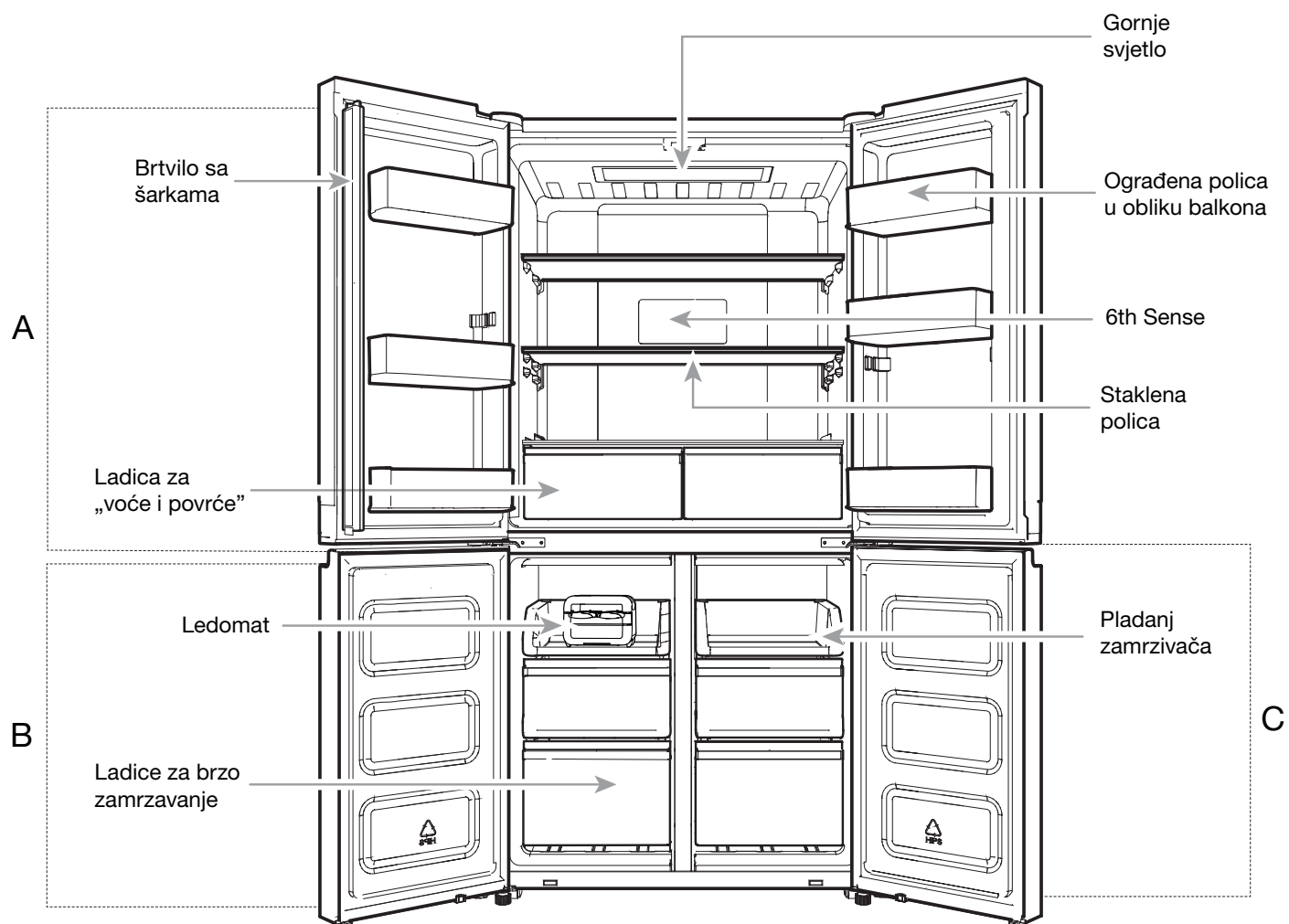
- Skinite vrata.
- Police ostavite na mjestu tako da se djeca ne mogu lako popeti unutra.



#### **Važne informacije koje trebate znati o odlaganju rashladnih sredstava:**

Hladnjak odložite na otpad u skladu s državnim i lokalnim odredbama. Rashladna sredstva mora ispustiti tehničar s licencom za rad s rashladnim sredstvima u skladu s utvrđenim postupcima.

# DIJELOVI I ZNAČAJKE



- A . Hladnjak
- B . Zamrzivač
- C . Flexi Freeze (samo s modelima WQ9 B1L, 6WM591NIHAS i WQ70900SXX)

# UPUTE ZA POSTAVLJANJE

## Početak rada

### KONTROLNI POPIS PRIJE POSTAVLJANJA

- ✓ Električno napajanje

## ⚠ UPOZORENJE



### Opasnost od strujnog udara

Utaknuti u uzemljenu utičnicu.

Ne uklanjajte kontakt za uzemljenje.

Ne koristite adapter.

Ne koristite produžni kabel.

U slučaju nepriodravanja ovih uputa može doći do smrti, požara ili strujnog udara.

- Utikač hladnjaka utaknite u uzemljenu utičnicu.

### ✓ Vrata

- Ako tijekom postavljanja treba skinuti vrata, pogledajte odlomke „Skidanje i vraćanje na mjesto vrata hladnjaka” i „Skidanje i vraćanje na mjesto vrata zamrzivača”.
- Vrata su potpuno hermetički zatvorena.
- Hladnjak je ravan. Nožice za niveliranje namjestite tako da budu prijanjaju na pod.
- Vrata su ravna sve do vrha. (Upotrijebite značajku poravnavanje vrata prema potrebi).

### ✓ Završne provjere

- Uklonite sav materijal pošiljke.
- Komande temperature postavite na preporučenu postavku.
- Spremite upute i ostalu literaturu.
- Kako biste primili još potpuniju pomoć, registrirajte svoj proizvod na adresi [www.whirlpool.eu/register](http://www.whirlpool.eu/register).

## Raspakiranje hladnjaka

## ⚠ UPOZORENJE

### Opasnost od prevelike težine

Za premještanje i postavljanje hladnjaka potrebno je dvoje ljudi.

U slučaju da to ne učinite, može doći do ozljede leđa ili drugih ozljeda.

### Dostava hladnjaka

Zahtijeva se minimalna veličina otvora vrata od 838 mm (33"). Ako veličina otvora vrata iznosi 914 mm (36") ili manje, tada je nužno ukloniti vrata, ladicu i šarke.

Hladnjak kroz sve otvore vrata provlačite bočno.

### Prilikom pomicanja vašeg hladnjaka na umu imajte sljedeće:

Vaš hladnjak je težak. Kada hladnjak pomičete radi čišćenja ili servisiranja, uvjerite se da ste pod pokrili kartonom ili tvrdom pločom kako biste spriječili oštećenje poda. Hladnjak uvijek postavite u uspravan položaj dok ga premješate. Nemojte vući hladnjak ili „hodati” s njim dok ga pokušavate pomaknuti jer bi se pod mogao oštetiti.

### Uklonite ambalažu

- Uklonite ostatke vrpce i ljepila s površina prije uključivanja hladnjaka. U samoljepljivu traku prstima utrljajte malu količinu tekućeg deterdženta za posuđe. Prebrišite je toplom vodom i osušite.
- Za uklanjanje vrpce ili ljepila ne koristite oštre instrumente, izopropilni alkohol, zapaljive tekućine ili abrazivna sredstva za čišćenje. Ti proizvodi mogu oštetiti površinu vašeg hladnjaka.
- Odložite/reciklirajte sve ambalažne materijale.

### Očistite ih prije korištenja

Nakon što ste uklonili sav ambalažni materijal, očistite unutrašnjost svojeg hladnjaka prije korištenja. Upute za čišćenje pogledajte u odjeljku „Održavanje hladnjaka”.

### Informacije koje je važno znati o staklenim policama i poklopcima:

Staklene police ili poklopce ne čistite toplom vodom dok su hladni. Police i poklopci mogli bi se slomiti ako se izlože naglim promjenama temperature ili udarcima, kao što je sudaranje. Temperirano staklo projektirano je tako da se razbije u mnogo malih komadića veličine oblutaka. To je normalno. Staklene police i poklopci su teški. Prilikom njihova vađenja koristite obje ruke kako ih ne bi ispustili.

## Zahtjevi u vezi s položajem

### ⚠ UPOZORENJE



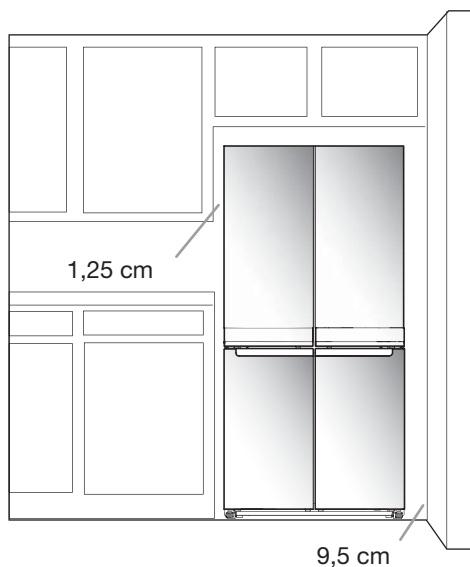
#### Opasnost od eksplozije

Zapaljive materijale i isparenja, poput benzina, držite podalje od hladnjaka.

U slučaju da se to ne učini, može doći do smrti, eksplozije ili požara.

Kako biste osigurali odgovarajuću ventilaciju za svoj hladnjak, ostavite 1,25 cm slobodnog prostora sa svake strane i na vrhu. Ostavite 5 cm slobodnog prostora iza hladnjaka. Ako vaš hladnjak ima uređaj za pravljenje leda, ostavite dodatni prostor straga za priključke cijevi za vodu. Prilikom postavljanja hladnjaka pokraj fiksnog zida, ostavite 9,5 cm minimalnog razmaka od hladnjaka do zida kako biste omogućili otvaranje vrata.

**NAPOMENA:** Ovaj hladnjak namijenjen je za korištenje na mjestima u kojima se temperature kreću od minimalnih 10°C do maksimalnih 43°C. Raspon temperatura u prostoriji koji je najbolji za optimalnu radnu učinkovitost, koji smanjuje potrošnju električne energije i omogućava vrhunsko hlađenje je onaj između 15°C i 32°C. Preporučuje se da hladnjak ne postavljate pokraj izvora topline kao što je pećnica ili radiator.



## Električni zahtjevi

### ⚠ UPOZORENJE



#### Opasnost od strujnog udara

Utaknuti u uzemljenu utičnicu.

Ne uklanjajte kontakt za uzemljenje.

Ne koristite adapter.

Ne koristite produžni kabel.

U slučaju nepridržavanja ovih uputa može doći do smrti, požara ili strujnog udara.

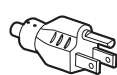
**VAŽNO:** Postavljanje i električno priključivanje mora provesti kvalificirani tehničar u skladu s uputama proizvođača i u skladu s lokalnim sigurnosnim propisima.

- Hladnjak je projektiran za rad na odvojenom strujnom krugu od 220-240 volta, 10 A, 50/60 Hz.
- Uvjerite se da napon naveden na nazivnoj pločici odgovara onom u vašem domu.
- Mora biti omogućeno odvajanje aparata od izvora napajanja putem izvlačenja utikača iz utičnice ili putem dvopolne sklopke postavljene uzvodno od utičnice.
- Ako je priključni kabel oštećen, proizvođač, njegov servisni predstavnik ili osoba sličnih kvalifikacija ga mora zamijeniti kako bi se izbjegla opasnost.

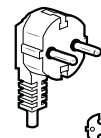
Prije premještanja hladnjaka na njegovu konačnu lokaciju, važno je uvjeriti se da imate odgovarajući električni priključak:

#### Preporučena metoda za uzemljenje

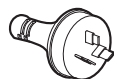
Potrebno je koristiti samo uzemljeno električno napajanje izmjeničnom strujom od 220-240 volta i 50 Hz, 220 volta i 60 Hz, ili 230/240 volta i 50 Hz s osiguračem od 10 A.



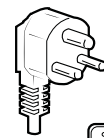
Tip B



Tip E i F



Tip I



Tip M



Tip G

#### Za Australiju i Novi Zeland:

Vaš novi aparat posebno je proizveden za udovoljavanje svim australskim standardima i uvjetima.

Neke napomene u uputama za postavljanje mogu se odnositi na električne zahtjeve u drugim državama, tako napominjemo da osobitu pozornost posvetite tim specifičnim napomenama.

Vaš aparat potrebno je priključiti samo u uzemljenu utičnicu izmjenične struje od 230/240 volta i 50 Hz s osiguračem od 10 A.



## Električni zahtjevi (samo Velika Britanija i Irska)

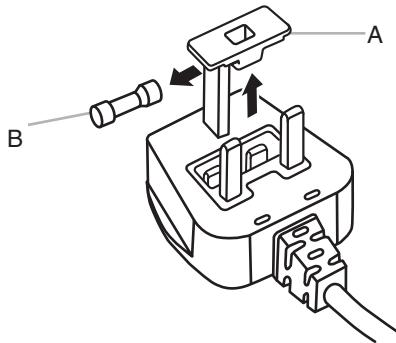
**VAŽNO:** Ovaj hladnjak mora biti uzemljen.

### Zamjena osigurača

Ako je glavni vod napajanja ovog hladnjaka opremljen utikačem BS1363A, s osiguračem od 13 A kako biste zamijenili osigurač u ovoj vrsti utikača, koristite osigurač koji je odobrila A.S.T.A. za tip BS 1362 i postupite na sljedeći način:

1. Skinite poklopac osigurača (A) i osigurač (B).
2. Stavite zamjenski osigurač od 13 A u poklopac osigurača.
3. Ponovno utaknite osigurač i njegov poklopac u utikač.

**VAŽNO:** Poklopac osigurača mora se ponovno montirati prilikom promjene osigurača. Ako se poklopac osigurača izgubi, utikač se ne smije koristiti sve do pričvršćivanja odgovarajućeg zamjenskog poklopca. Pravilna zamjena prepoznaje se po umetku u boji ili boji „riječi” utisnute u podnožje utikača. Zamjenski poklopci osigurača dostupni su u vašoj lokalnoj prodavaonici elektromaterijala.



A. Poklopac osigurača

B. Osigurač

### Za Republiku Irsku (samo za to tržište):

Često će se primjenjivati informacije koje su dane za Veliku Britaniju, ali se koristi i treća vrsta utikača i utičnice, 2-pinska, od tipa s bočnim uzemljenjem.

### Utičnica/utikač (vrijedi za obje države):

Ako priloženi utikač nije prikladan za vašu utičnicu, javite se u postprodajnu službu kako biste dobili dodatne upute. Ne pokušavajte sami zamijeniti utikač. Taj postupak treba provesti kvalificirani tehničar u skladu s uputama proizvođača i trenutnim standardnim sigurnosnim odredbama.

## Temperatura

Ovaj hladnjak je projektiran za rad na mjestima na kojima se temperatura u okolini kreće unutar sljedećih raspona, u skladu s klimatskim razredom prikazanim na nazivnoj pločici. Hladnjak možda neće pravilno raditi ako je dugo vremena ostavljen na temperaturi izvan navedenog raspona.

**NAPOMENA:** Preporučuje se da hladnjak ne postavljate pokraj izvora topline, poput pećnice ili radijatora.

Klimatski razred	Okol. T. (°C)	Okol. T. (°F)
SN	Od 10 do 32	Od 50 do 90
N	Od 16 do 32	Od 61 do 90
ST	Od 16 do 38	Od 61 do 100
T	Od 16 do 43	Od 61 do 110

## Uklanjanje i zamjena vrata hladnjaka

**NAPOMENA:** Izmjerite širinu otvora vaših vrata kako biste vidjeli trebate li ili ne trebate skinuti vrata na hladnjaku kako biste unijeli hladnjak u svoj dom. Ako je skidanje vrata nužno, pogledajte sljedeće upute.

**VAŽNO:** Ako je hladnjak postavljen prije toga, a vi ga iznosite iz svojeg doma, isključite komandu hladnjaka prije nego što počnete skidati vrata. Hladnjak iskopčajte iz struje ili prekinite dovod električne energije. Iz vrata izvadite hranu i prilagodljiva vrata ili upotrebne posude.

Prije skidanja vrata prikupite sav potreban alat i pročitajte sve upute.

**POTREBNI ALATI:** utični ključ od 6 mm, utični ključ od 5 mm i križni odvijač od #2.



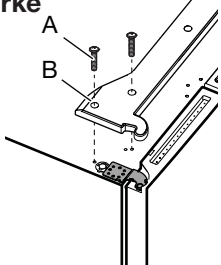
### ⚠ UPOZORENJE

Opasnost od strujnog udara

Prekinite dovod električne energije prilikom skidanja vrata.

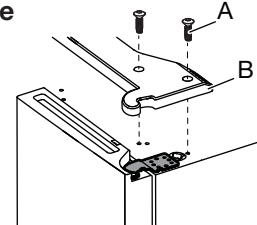
U slučaju da to ne učinite, može doći do smrti ili strujnog udara.

#### Poklopac gornje lijeve šarke



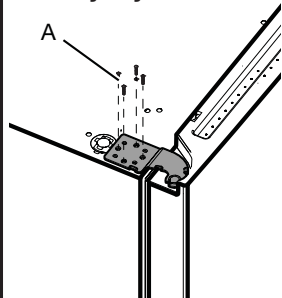
A. Vijci poklopca gornje šarke  
B. Poklopac gornje šarke

#### Poklopac gornje desne šarke



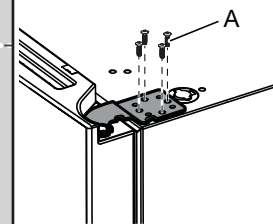
A. Vijci poklopca gornje šarke  
B. Poklopac gornje šarke

#### Gornja lijeva šarka



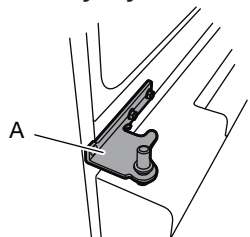
A. Utični vijci od 5 mm

#### Gornja desna šarka



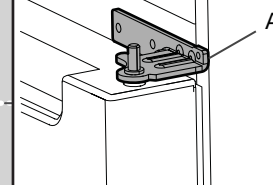
A. Utični vijci od 5 mm

#### Srednja lijeva šarka



A. Šarka

#### Srednja desna šarka



A. Šarka

## **⚠ UPOZORENJE**

### **Opasnost od prevelike težine**

Vrata hladnjaka moraju dizati dvije ili više osoba.

U slučaju da to ne učinite, može doći do ozljede leđa ili drugih ozljeda.

### **Skinite vrata hladnjaka**

## **⚠ UPOZORENJE**



### **Opasnost od strujnog udara**

Prekinite dovod električne energije prilikom skidanja vrata.

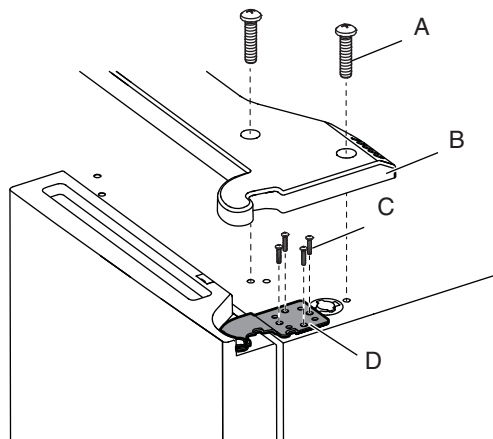
U slučaju da to ne učinite, može doći do smrti ili strujnog udara.

### **Skinite desna vrata**

1. Hladnjak iskopčajte iz struje ili prekinite dovod električne energije.
2. Vrata hladnjaka držite zatvorenima sve dok ne budete spremni da ih dignete i oslobodite od ormarića.

**NAPOMENA:** Osigurajte dodatnu potporu za vrata hladnjaka tijekom skidanja šarki. Ne pouzdajte se u to da će magneti na brtvi vrata držati vrata na mjestu dok radite.

3. Pomoću križnog odvijača skinite poklopac s gornje šarke.
4. Pomoću utičnog ključa od 5 mm skinite četiri vijka sa gornje šarke i stavite ih na stranu.



A. Vijak poklopca gornje šarke

B. Poklopac gornje šarke

C. Utični vijci od 5 mm

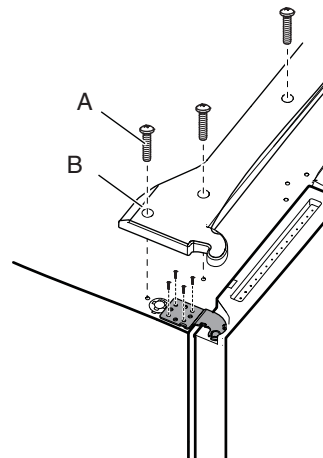
D. Gornja šarka

5. Vrata hladnjaka podignite sa zatika srednje šarke. Gornja šarka skinut će se s vratima.

### **Skinite lijeva vrata**

**VAŽNO:** Ožičenje za korisničko sučelje prolazi kroz šarku lijevih vrata, tako da ih se mora odvojiti prije uklanjanja vrata.

1. Pomoću križnog odvijača skinite poklopac s gornje šarke.

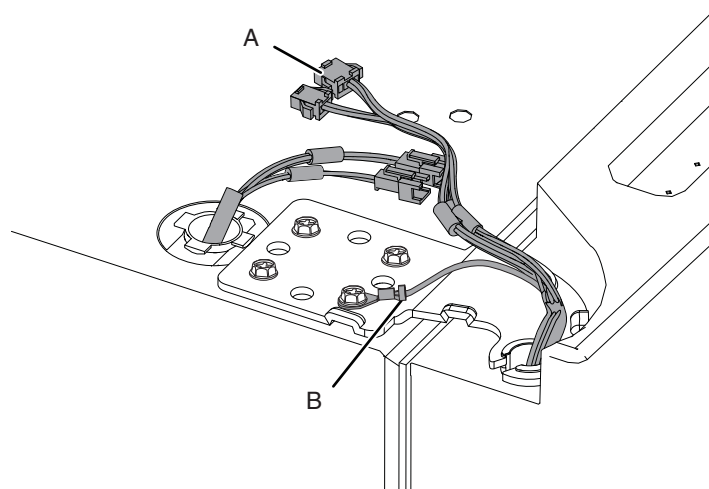


A. Vijak poklopca gornje šarke

B. Poklopac gornje šarke

2. Odvojite dva utikača smještena na vrhu šarke vrata.

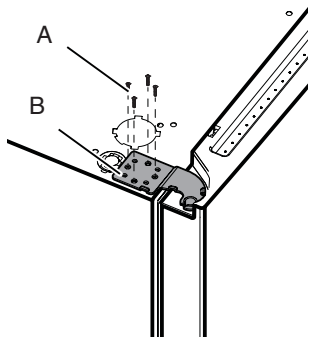
- Utikače ožičenja uhvatite sa svake strane. Lijevim palcem pritisnite prema dolje kako biste oslobodili zapor pa povucite dijelove utikača da biste ih razdvojili.



A. Utikač

B. Konektor uzemljenja

3. Pomoću utičnog ključa od 5 mm skinite četiri unutarnja vijka sa gornje šarke i stavite ih na stranu.



- A. Utični vijci od 5 mm  
B. Gornja šarka

**NAPOMENA:** Osigurajte dodatnu potporu za vrata hladnjaka tijekom skidanja šarki. Ne pouzdajte se u to da će magneti na brtvi vrata držati vrata na mjestu dok radite.

4. Vrata hladnjaka podignite sa zatika donje šarke. Gornja šarka skinut će se s vratima.

**NAPOMENA:** Možda neće biti nužno skinuti donje šarke i sklopove kočnih nožica kako biste hladnjak provukli kroz otvor vrata.

- Samo ako je potrebno, upotrijebite utični ključ od 6 mm i križni odvijač #2 kako biste skinuli srednju šarku.

#### Desna vrata hladnjaka vratite na mjesto

1. Postavite desna vrata na zatik srednje šarke.
2. Zatik gornje šarke umetnite u otvorenu rupu na vrhu vrata hladnjaka.
3. Koristeći četiri utična vijka od 5 mm, pričvrstite šarku za vitrinu. Vijke nemojte potpuno zategnuti.

#### Lijeva vrata hladnjaka vratite na mjesto

1. Postavite lijeva vrata na zatik srednje šarke.
2. Koristeći četiri utična vijka od 5 mm, pričvrstite šarku za vitrinu. Vijke nemojte potpuno zategnuti.
3. Ponovno spojite električno ožičenje.
  - Gurajući spojite dva dijela utikača.
  - Žicu uzemljenja ponovno spojite na vijak za šarke.

#### Završni koraci

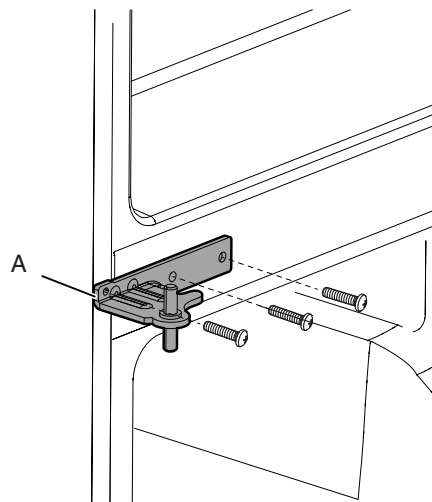
1. Svaki od osam utičnih vijaka od 5 mm zategnite do kraja.
2. Vratite na mjesto poklopce gornje šarke.

## Skidanje i vraćanje na mjesto vrata zamrzivača/ značajke Flexi Freeze

1. Vrata zamrzivača držite zatvorenima sve dok ne budete spremni da ih dignete i oslobodite od ormarića.

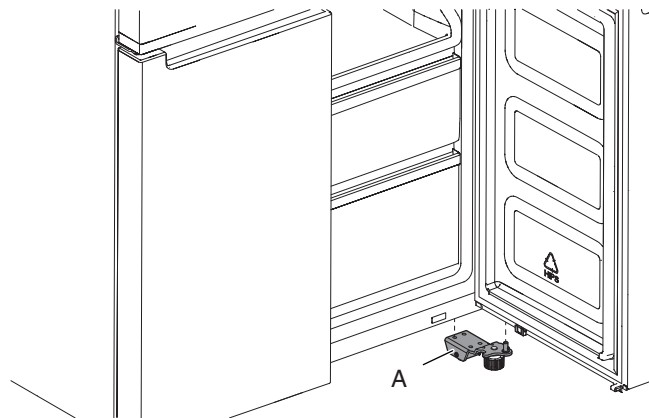
**NAPOMENA:** Osigurajte dodatnu potporu za vrata zamrzivača tijekom skidanja šarki. Ne pouzdajte se u to da će magneti na brtvi vrata držati vrata na mjestu dok radite.

- Pomoću križnog odvijača veličine #2 i utičnog ključa od 6 mm uklonite srednju šarku iz vitrine.



A. Srednja šarka

- Krilo vrata hladnjaka podignite sa zatika donje šarke.



A. Donja šarka

## ⚠ UPOZORENJE



### Opasnost od strujnog udara

Utaknuti u uzemljenu utičnicu.

Ne uklanjajte kontakt za uzemljenje.

Ne koristite adapter.

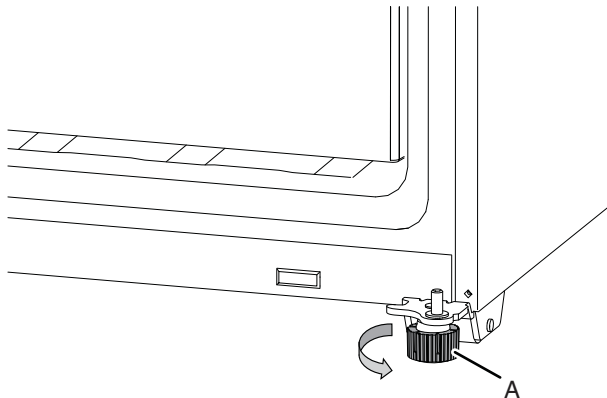
Ne koristite produžni kabel.

**U slučaju nepridržavanja ovih uputa može doći do smrti, požara ili strujnog udara.**

1. Utaknuti u uzemljenu utičnicu.
2. Sve odvojive dijelove i hranu vratite u ladice.

## Niveliranje hladnjaka

1. Premjestite hladnjak na njegovo konačno mjesto.
2. Rukom okrenite kočne nožice. Okrećite ih u smjeru suprotnom od okretanja kazaljki na satu sve dok se kotačići ne podignu od poda a obje nožice ne budu prijanjale na pod. To sprječava prevrtanje hladnjaka prema naprijed prilikom otvaranja vrata.



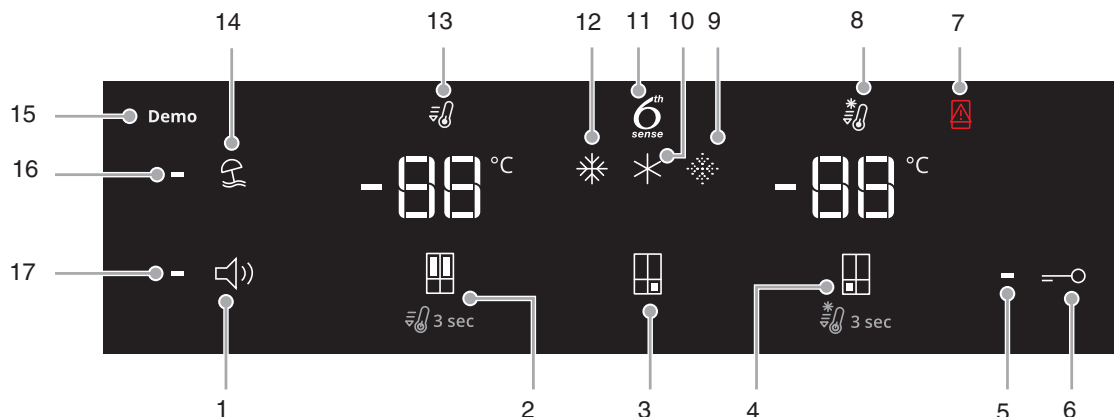
A. Kočne nožice

**VAŽNO:** Trebate li izvršiti dodatne prilagodbe povezane s kočnim nožicama, obje kočne nožice morate okrenuti u istoj mjeri kako bi hladnjak ostao ravan.

3. Upotrijebite libelu kako biste provjerili je li hladnjak ravan s obje bočne strane, te srijeda i straga.

## Korištenje komandi

Komande koje se aktiviraju na dodir nalaze se u lijevim vratima hladnjaka. Upravljačka ploča uključuje informacije o raznim gumbima i indikatorima. Indikator temperature hladnjaka i zamrzivača pokazuje zadnju zadanu vrijednost temperature.



1. Gumb za UKLJUČIVANJE/ISKLJUČIVANJE zvuka
2. Gumb temperature hladnjaka (držite ga pritisnutim 3 s za brzo hlađenje)
3. Gumb zadane postavke temperature Flexi Freeze (samo na modelima WQ9 B1L, 6WM591NIHAS i WQ70900SXX)
4. Gumb temperature zamrzivača (držite ga pritisnutim 3 s za brzo zamrzavanje)
5. Indikator zaključavanja tipke
6. Gumb zaključavanja tipke
7. Indikator otvorenih vrata
8. Indikator brzog zamrzavanja
9. Indikator slabijeg zamrzavanja (samo na modelima WQ9 B1L, 6WM591NIHAS i WQ70900SXX)
10. Indikator umjerenog zamrzavanja (samo na modelima WQ9 B1L, 6WM591NIHAS i WQ70900SXX)
11. Indikator značajke 6th Sense
12. Indikator jakog zamrzavanja (samo na modelima WQ9 B1L, 6WM591NIHAS i WQ70900SXX)
13. Indikator brzog hlađenja
14. Gumb prazničnog načina rada
15. Indikator demo načina rada (samo na modelima WQ9 B1L, 6WM591NIHAS i WQ70900SXX)
16. Indikator prazničnog načina rada
17. Indikator zvuka

Upravljačka ploča će se automatski isključiti nakon jedne minute neaktivnosti. Kako biste uključili upravljačku ploču, pritisnite bilo koju tipku.

### - Pregledavanje i prilagodba zadanih vrijednosti temperature

#### Prilagodba temperature u odjeljcima hladnjaka i zamrzivača:

Radi lakšeg korištenja, komande vašeg hladnjaka i zamrzivača unaprijed su podešene u tvornici.

Prilikom prvog postavljanja hladnjaka uvjerite se da su komande još uvijek postavljene na preporučene zadane vrijednosti. Preporučene tvorničke zadane vrijednosti su 3°C za hladnjak i -18°C za zamrzivač.

Pritiskanjem gumba temperature hladnjaka ili zamrzivača prelaziti ćete između zadanih vrijednosti temperature u stupnjevima Celzija (°C).

#### VAŽNO:

- Pričekajte da prođe 24 sata prije nego što stavite hranu u hladnjak. Ako hranu dodate prije nego što se hladnjak potpuno ohladio, vaša bi se hrana mogla pokvariti.

**NAPOMENA:** Prilagodba zadanih vrijednosti na postavku hladniju od preporučene neće nimalo ubrzati hlađenje odjeljaka.

- Ako je temperatura u hladnjaku ili zamrzivaču previsoka ili preniska, prvo provjerite otvore za zrak kako biste prije prilagodbe komandi bili sigurni da nisu blokirani.
- Preporučene postavke trebaju biti odgovarajuće za normalnu upotrebu u kućanstvu. Komande su pravilno postavljene kada su mlijeko ili sok hladni onoliko koliko želite i kada je sladoled u krutom stanju.

**NAPOMENA:** Područja poput garaže, podruma ili trijema mogu imati višu razinu vlage ili ekstremne temperature. Temperaturu ćete možda trebati namjestiti izvan preporučenih postavki kako biste se prilagodili tim uvjetima.

- Čekajte da prođe barem 24 sata između prilagodbi. Ponovno provjerite temperature prije provođenja ostalih prilagodbi.

### Komanda senzora 6<sup>th</sup> Sense Fresh Lock i zamrzavanja

Senzor 6<sup>th</sup> SENSE Fresh Lock osigurava preciznu i dosljednu kontrolu temperature radi duljeg očuvanja svježine hrane, na najprirodniji način. Nakon detektiranja varijacije temperature, senzor aktivira kompresor koji brzo obnavlja izvornu temperaturu. Senzor 6<sup>th</sup> SENSE Freeze na najmanju mjeru smanjuje fluktuacije temperature u zamrzivaču zahvaljujući inovativnom sustavu upravljanja temperaturom. Smrztotine izazvane zamrzivačem su smanjene radi očuvanja kvalitete i boje hrane.

#### Postavka Flexi Freeze (samo na modelima WQ9 B1L, 6WM591NIHAS i WQ70900SXX)

Funkcija Flexi Freeze omogućava da uključujete i isključujete unaprijed zadanu temperaturu za odjeljak Flexi freeze.

Simbol	Funkcija	Temperatura
	Tradicionalni zamrzivač	-18°C
	Umjereni zamrzivač	-12°C
	Slabiji zamrzivač	-7°C

\* Kako biste aktivirali/deaktivirali najhladniju postavku (-20°C), pritisnite gumb zadane postavke temperature Flexi Freeze u trajanju od 3 sekunde.

## Prilagodba postavke više temperatura



- Tradicionalni zamrzivač (-18°C): Već smrznuta hrana i svježja hrana (maks. 12 mjeseci)
- Umjereni zamrzivač (-12°C): Već smrznuta hrana (maks. 1 mjesec)
- Slabiji zamrzivač (-7°C): Već smrznuta hrana (maks. 1 tjedan)

**Prilikom prilagodbe zadanih vrijednosti temperature, sljedeći grafikon koristite kao smjernicu:**

STANJE	PRILAGODBA TEMPERATURE
Hladnjak je prehladan	Postavka hladnjaka 1° viša
Hladnjak je pretopao	Postavka hladnjaka 1° niža
Zamrzivač je prehladan	Postavka zamrzivača 1° viša
Zamrzivač je pretopao/ pravi premalo leda	Postavka zamrzivača 1° niža



## Brzo hlađenje

Značajka brzog hlađenja pomaže u razdobljima intenzivnog korištenja hladnjaka, s velikim količinama živežnih namirnica ili privremeno visokim temperaturama u prostoriji.

- Kako biste uključili značajku brzog hlađenja, držite pritisnutim gumb temperature hladnjaka  u trajanju od 3 sekunde. Kada se ta značajka aktivira, zasvijetlit će ikona brzog hlađenja. Značajka brzog hlađenja ostat će uključena 2 sata osim ako se ne isključi ručno.
- Kako biste ručno isključili značajku brzog hlađenja, držite pritisnutim gumb temperature hladnjaka  u trajanju od 3 sekunde. Ikona brzog hlađenja će se isključiti kada značajka nije aktivirana.
- Prilagodbom temperature hladnjaka automatski će se isključiti značajka Brzo hlađenje.

## Brzo zamrzavanje

Količina svježje hrane (u kg) koja se može zamrznuti u roku 24 sata navedena je na nazivnoj pločici aparata.

- Držite pritisnutim gumb za određivanje temperature zamrzivača  u trajanju od 3 sekunde (sve dok ne zasvijetli indikator brzog zamrzavanja), 24 sata prije stavljanja svježje hrane u zamrzivač. Nakon stavljanja svježje hrane u zamrzivač, obično je dovoljno da funkcija brzog zamrzavanja radi 24 sata; nakon 50 sati se funkcija brzog zamrzavanja automatski deaktivira.
- Kako biste ručno isključili značajku brzog zamrzavanja, držite pritisnutim gumb temperature zamrzivača  u trajanju od 3 sekunde. Ikona brzog zamrzavanja će se isključiti.
- Prilagodbom temperature zamrzivača automatski će se isključiti značajka Brzo zamrzavanje.

## Praznični način rada

Ovaj način rada osmišljen je kako vaš aparat ne bi bespotrebno trošio energiju u razdobljima neredovite upotrebe (na primjer dok ste na odmoru).

Biranjem ove funkcije, temperatura odjeljka hladnjaka (RC) automatski će se postaviti na najtopliju zadanu vrijednost.

- Da biste koristili praznični način rada, pritisnite gumb načina rada sve dok indikator prazničnog načina rada ne zasvijetli na zaslonu.
- Da biste napustili praznični način rada, pritisnite gumb načina rada sve dok ikona isključenosti načina rada ne zasvijetli na zaslonu.
- Prilagodbom temperature hladnjaka automatski će se isključiti značajka prazničnog načina rada.

**VAŽNO: Ako je izabran ovaj način rada tada se iz pretinca hladnjaka mora izvaditi sva hrana i piće.**

## UKLJUČIVANJE-ISKLJUČIVANJE zvuka

Pritisnite gumba za aktiviranje/deaktiviranje povratnih informacija zvuka.

### Zaključavanje tipke

- Gumb zaključavanja pritisnite i držite pritisnutim 3 sekunde kako biste aktivirali značajku zaključavanja.
- Da biste deaktivirali zaključavanje, gumb zaključavanja pritisnite i držite pritisnutim 3 sekunde.

Značajka zaključavanja zanemarit će svu interakciju s upravljačkom pločom sve dok korisnik ne otključa upravljačku ploču. Ova značajka služi za onemogućavanje nenamjernog mijenjanja postavki.

### Demo način rada (samo na modelima WQ9 B1L, 6WM591NIHAS i WQ70900SXX)


Ovaj način rada koristi se kada je hladnjak izložen u maloprodajnom dućanu ili ako želite isključiti hlađenje i deaktivirati sve ostale funkcije (osim unutarnje rasvjete).

Demo način rada može se koristiti prilikom odlaska na duži odmor. Pogledajte odlomak „Održavanje prilikom praznika i selidbe” kako biste doznali više o odgovarajućim koracima ostavljanja vašeg hladnjaka u ovom načinu rada u dugim vremenskim razdobljima.

- Ako uključite način rada Demo, ikona „Demo” će zasvijetliti na zaslonu.
- Udite ili izađite iz Demo načina rada istovremenim pritiskom na gumb Uključivanje ili Isključivanje gumba i gumba zaključavanja u trajanju od 3 sekunde.

## Dodatne značajke

### Alarm otvorenih vrata

- Značajka alarma otvorenih vrata oglašava se alarmom i trepće ikona „Otvorena vrata”  kada je bilo koje od četiri krila vrata otvoreno 2 minute ili dulje.
- Alarm će se ponavljati svakih 5 minuta. Zatvorite sva vrata kako biste ga isključili.

**NAPOMENA:** Kako biste utišali zvučni alarm dok držite vrata otvorena, na primjer dok čistite unutrašnjost hladnjaka, dotaknite bilo koji gumb na upravljačkoj ploči. Zvuk alarma će se privremeno isključiti, ali ikona otvorenih vrata će još uvijek biti prikazana na upravljačkoj ploči.

## Rasvjeta hladnjaka

Hladnjak ima unutarnje svjetlo koje se uključuje prilikom svakog otvaranja vrata.

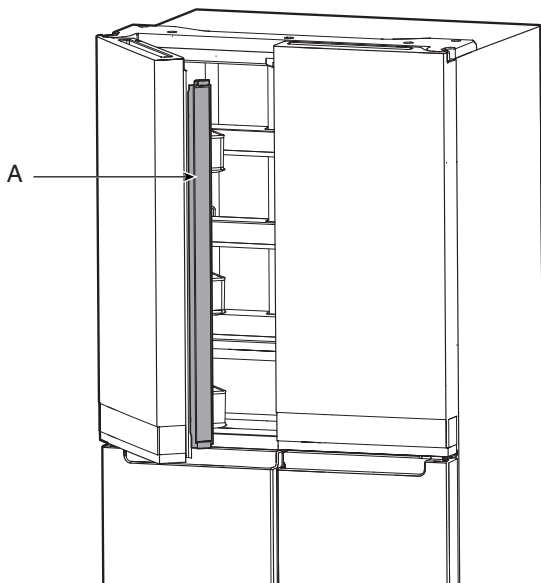
**NAPOMENA:** To je LED svjetlo koje ne treba mijenjati. Ako LED dioda ne zasvijetli kada se vrata otvore, nazovite servis radi zamjene svjetla.

# KORIŠTENJE HLADNJAKA

## Otvaranje i zatvaranje vrata

Postoje dvojna vrata odjeljaka hladnjaka. Vrata se mogu otvoriti i zatvarati kako zasebno tako i zajedno. Postoji okomito brtvilo sa šarkama na lijevom krilu vrata hladnjaka.

- Kada su vrata na lijevoj strani otvorena, brtvilo sa šarkama se automatski presavija unatrag tako da ne pravi smetnje.
- Kada su oba krila vrata zatvorena, brtvilo sa šarkama automatski brtvi prostor između vrata.

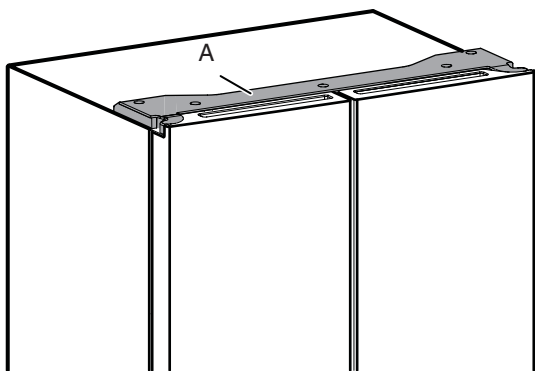


A. Brtvilo sa šarkama

Sklopka odjeljka na vratima hladnjaka nalazi se u gornjem lijevom i desnom poklopcu šarke.

- Na zamrzivaču i u zoni s više temperatura, sklopka na vratima smještena je u donjoj pregradnoj prečki.
- Sklopka na vratima koristi magnet za otkrivanje otvaranja/zatvaranja vrata.
- Uvjerite se da na udaljenosti do 7,62 cm od kapice na šarki nema magneta ili elektroničkih uređaja (zvučnik, Coolvox® itd.).

**NAPOMENA:** Svjetlo se neće upaliti ako nije detektirano otvaranje vrata.



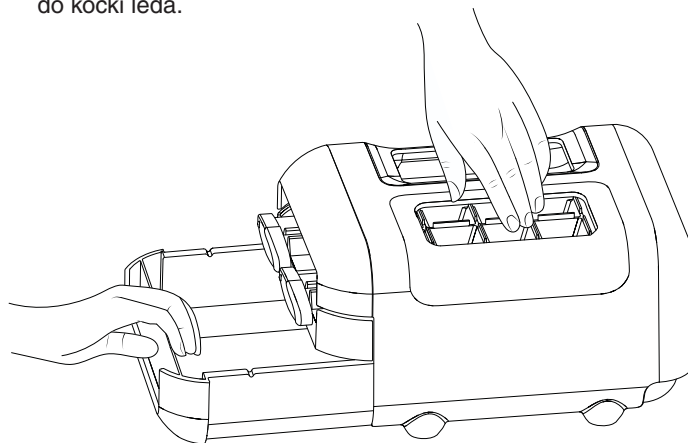
A. Poklopac šarke

## Uređaj za pravljenje leda

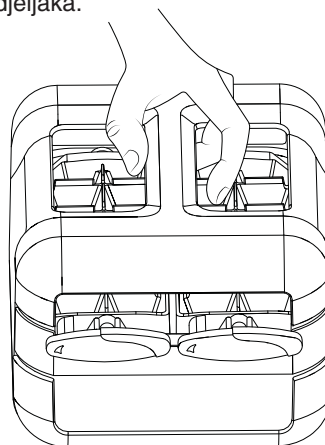
- Da biste napravili led, pliticu s ledom napunite pročišćenom vodom, a uređaj za ručno pravljenje leda stavite na gornju policu zamrzivača. Ostavite dovoljno vremena da se led formira i čim je led spreman, okrugle regulacijske gumbice okrenite u smjeru okretanja kazaljki na satu kako bi se kockice leda izbacile u spremnik za led.



- Blago podignite spremnik s ledom i izvucite ga kako biste došli do kocki leda.



Sklop ručnog uređaja za pravljenje leda može se izvaditi iz zamrzivača kada led nije potreban, kako bi se u zamrzivaču oslobodilo više odjeljaka.



## Čuvanje hrane

### Čuvanje jaja

Preporučuje se da se jaja čuvaju na postojanoj temperaturi kako bi se sačuvala njihova svježina, stoga ih je najbolje držati u hladnjaku na srednjoj polici.



# POLICE, POSUDE I LADICE

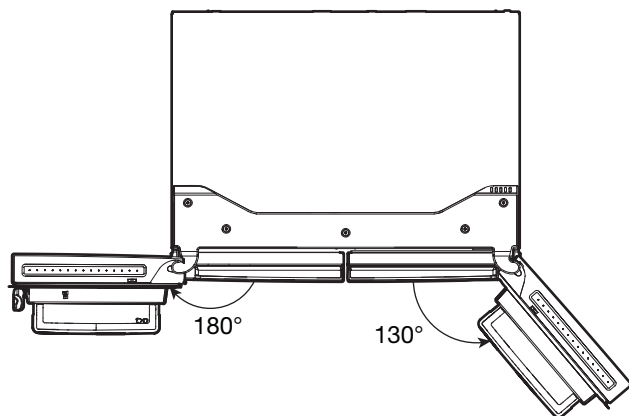
## Informacije koje je važno znati o staklenim policama i poklopcima:

Staklene police ili poklopce ne čistite toplom vodom dok su hladni. Police i poklopci mogli bi se slomiti ako se izlože naglim promjenama temperature ili udarcima, kao što je sudaranje. Temperirano staklo projektirano je tako da se razbije u mnogo malih komadića veličine oblutaka. To je normalno. Staklene police i poklopci su teški. Prilikom njihova vađenja koristite obje ruke kako ih ne bi ispustili.

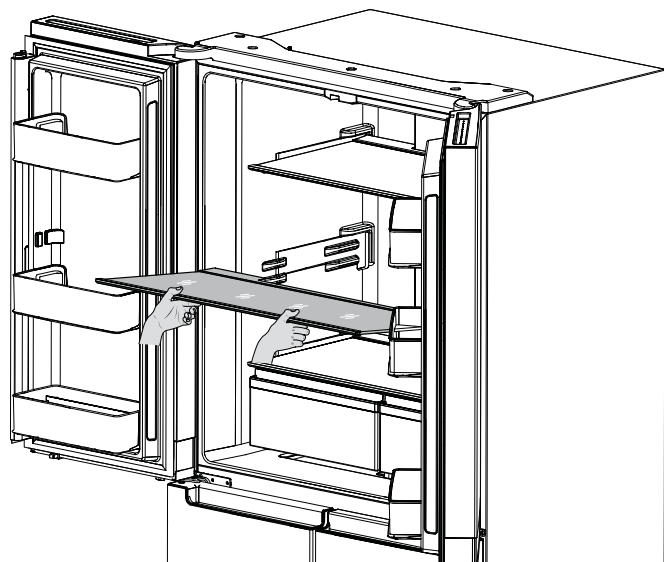
## Prilagodba visine police

Visina police može se prilagoditi mijenjanjem njezinog mjesta od donje potpore prema gornjoj potpori i obratno

- Širom otvorite desna vrata.
- Širom otvorite vrata na desnoj strani, a zatim podignite vrata da se otvore 180°.



- Izvucite policu iz hladnjaka i postavite je u željeni položaj.



- Uvjerite se da polica pravilno leži na nosačima police.

## Police i okviri polica

Police u vašem hladnjaku mogu se prilagoditi tako da udovoljavaju vašim individualnim potrebama čuvanja namirnica.

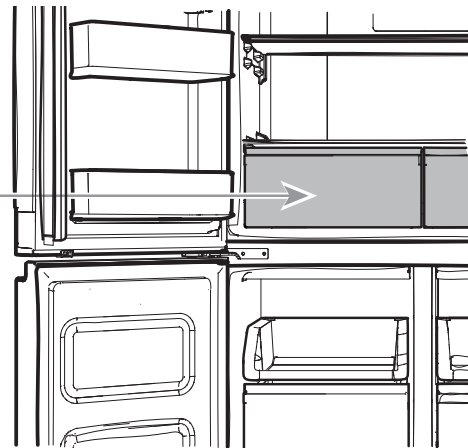
Čuvanje sličnih prehrambenih artikala u vašem hladnjaku i prilagodba polica tako da odgovaraju raznim visinama prehrambenih artikala olakšat će vam nalaženje baš onog artikla kojeg tražite. Time će se i skratiti vrijeme otvaranja vrata hladnjaka i uštedjeti energija.

### Uklanjanje i zamjena polica:

1. Širom otvorite desna vrata, a zatim širom otvorite i lijeva vrata, a zatim podignite lijeva vrata da se otvore 180°.
2. Srednju policu ili gornju policu uklonite podignuvši ih prema gore izvan potpora za police. Zatim policu povucite prema naprijed i nagnite je prema dolje u okomit položaj. Zaokrenite policu pod nekim kutom i izvucite je iz hladnjaka.
3. Donju policu uklonite podignuvši je prema gore izvan potpora za police. Zatim policu povucite prema gore i nagnite je prema dolje u okomit položaj. Zaokrenite policu pod nekim kutom i izvucite je iz hladnjaka.
4. Vratite na mjesto srednju i gornju policu stavljajući police u hladnjak pod kutom s policom nagnutom prema dolje s prednje strane. Podignite prednji dio police prema gore i povucite je tako da klizi sve dok se stražnji dio police ne spusti u nosače police. Spustite prednji dio police i provjerite je li polica na mjestu.
5. Vratite na mjesto donju policu stavljajući policu u hladnjak pod kutom s policom nagnutom prema gore. Podignite prednji dio police prema dolje i povucite je tako da klizi sve dok se stražnja polica ne spusti u nosače police. Spustite prednji dio police i provjerite je li polica na mjestu.

## Ladice za voće i povrće

Ladica za voće i povrće

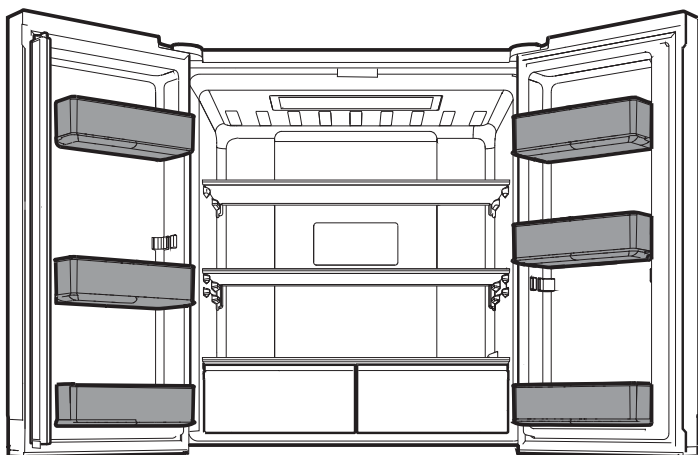


### Uklanjanje i vraćanje ladica za voće i povrće na mjesto:

1. Čvrsto uhvatite ručku ladice za voće i povrće i povucite je tako da ladica klizne ravno iz zaustavljača. Podignite ladicu za voće i povrće s donje vodilice.
2. Ladicu za voće i povrće zamijenite/vratite na mjesto stavivši je na donju vodilicu ladice za voće i povrće i gurajući je sve dok se ladica za voće i povrće ne zaustavi na svojem položaju.

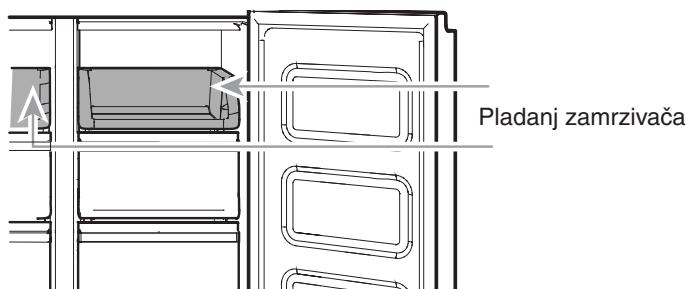
## Ograđene police na vratima hladnjaka

Ograđene police u obliku balkona na vratima vašeg hladnjaka mogu se prilagoditi tako da udovoljavaju vašim individualnim potrebama čuvanja namirnica.



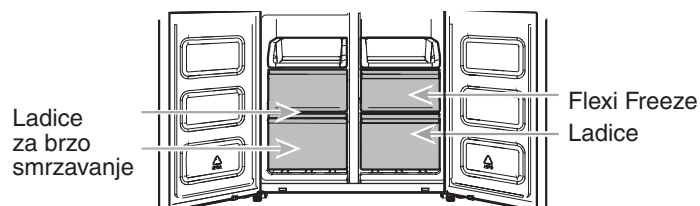
## Odjeljci za čuvanje u zamrzivaču

### Pladanj zamrzivača



Pladanj zamrzivača koristan je za lako pristupanje često korištenim proizvodima, za zamrzavanje ili jednostavno čuvanje ostataka malih artikala.

### Ladice zamrzivača



### Odjeljak za brzo smrzavanje

- Ladice za brzo zamrzavanje omogućuju vam pogodno čuvanje artikala velikog obujma.
- Opcija brzog zamrzavanja omogućava vam da svu svoju smrznutu hranu čuvate sigurno i transparentno.

### Odjeljak Flexi Freeze (samo na modelima WQ9 B1L, 6WM591NIHAS i WQ70900SXX)

Odjeljak Flexi Freeze omogućava vam da odaberete jednu od tri razine temperature zamrzivača:  $-7^{\circ}\text{C}$ ,  $-12^{\circ}\text{C}$  i  $-18^{\circ}\text{C}$  kako biste osigurali najbolje uvjete čuvanja za različite vrste hrane.

Za maksimalno iskorištenje kapaciteta zamrzivača možete izvaditi ladicu zamrzivača kako biste izložili policu zamrzivača.

### Uklanjanje gornje ladice:

1. Čvrsto uhvatite ručku ladice i povucite je tako da ladica klizne ravno iz zaustavljača. Podignite ladicu s donje vodilice.
2. Ladicu zamijenite/vratite na mjesto stavivši je na donju vodilicu ladice i gurajući je sve dok se ladica ne zaustavi na svojem položaju.

### Polica zamrzivača (samo na WQ9 E1L i WQ9 B1L)

Da biste maksimalno povećali kapacitet zamrzivača, možete izvaditi srednju ladicu da biste izložili policu zamrzivača koja se nalazi ispod nje. Zatim možete spremati gornju ladicu i stavljati namirnice izravno na gornji dio police.

## Zvučne obavijesti

### Dodjela tona

Naziv tona	Primjeri korištenja
Uključivanje	Sustav hlađenja se uključuje svaki put kada se proizvod priključi na napajanje.
Pritisak tipke	Korisnik pritišće važeći gumb.
Nevažeći (Pogreška)	Korisnik pritišće dva ili više važećih gumba istovremeno. Prekid odbrojavanja za gumb na pritisak i držanje.
Uključivanje	Priznavanje ulaska u bilo koji način rada.
Isključivanje	Priznavanje izlaska iz bilo kojeg načina rada.
Upozorenje	Upozorenje na odškrinuta vrata.

Ova tablica namijenjena je samo za brzi pregled. Pogledajte odgovarajuće odjeljke za više pojedinosti. U slučaju nedosljednosti, pojedinosti odjeljka će imati prednost.

## Pribor

Kako biste naručili pribor, obratite se trgovcu od kojeg ste kupili svoj hladnjak.

## Pomoć ili servis

Prije nego što pozovete pomoć ili servis, provjerite odjeljak „Otklanjanje poteškoća”. To vam može uštedjeti trošak pozivanja servisa. Ako još uvijek trebate pomoć, slijedite upute u nastavku.

### Ako trebate zamjenske dijelove

Kako biste locirali tvornički navedene zamjenske dijelove u vašoj zoni, javite se trgovcu od kojeg ste kupili svoj hladnjak.

### Jamstvo

Javite se trgovcu od kojeg ste kupili hladnjak radi dobivanja jamstvenih informacija.

**Sačuvajte ovu knjižicu i prodajni račun za kasniju uporabu. Kako biste ostvarili pravo na servis u jamstvenom roku morat ćete pokazati dokaz o kupnji ili datumu postavljanja.**

Zapišite sljedeće informacije o svojem aparatu koje će vam pomoći da dobijete pomoć ili usluge servisa kao ih ikada zatrebate. Trebat će znati cijeli broj modela i serijski broj. Ove informacije možete naći na naljepnici s oznakom modela i serijskog broja, koja se nalazi na unutarnjem zidu pretinca hladnjaka.

Ime trgovca \_\_\_\_\_  
Serijski broj \_\_\_\_\_  
Adresa \_\_\_\_\_  
Broj telefona \_\_\_\_\_  
Broj modela \_\_\_\_\_  
Datum kupnje \_\_\_\_\_

# ODRŽAVANJE HLADNJAKA

## Čišćenje

### UPOZORENJE



#### Opasnost od eksplozije

Koristite nezapaljivo sredstvo za čišćenje.

**U slučaju da se to ne učini, može doći do smrti, eksplozije ili požara.**

Svi odjeljci hladnjaka, zamrzivača i odjeljci sa značajkom Flexi freeze (samo na modelima WQ9 B1L, 6WM591NIHAS i WQ70900SXX) automatski se odmrzavaju. Međutim, sve odjeljke čistite približno jednom mjesečno kako biste spriječili nakupljanje neugodnih mirisa. Odmah obrišite prolivene tekućine.

#### Vanjsko čišćenje

Pogledajte informacije o čišćenju vanjskih površina koje se odnose na vaš model.

#### Stil 1 — Glatka vrata

**VAŽNO:** Oštećenja na glatkoj površini nastala zbog nepravilnog korištenja proizvoda za čišćenje ili korištenja nepreporučenih proizvoda za čišćenje nisu pokrivena jamstvom. Oštri ili tupi instrumenti će oštetiti površinski premaz.

KORISTITE	NE KORISTITE
✓ Meku čistu krpu	✗ Abrazivne krpe ✗ Papirnate ručnike ili novine ✗ Jastučice od čelične vune
✓ Toplu sapunjavu vodu s blagim deterdžentom	✗ Abrazivne praške ili tekućine ✗ Sprejeve za pranje prozora ✗ Amonijak ✗ Sredstva za čišćenje na bazi kiseline ili octa ✗ Sredstva za čišćenje pećnice ✗ Zapaljive tekućine

**NAPOMENA:** Papirnati ručnici grebu i mogu izguliti oblogu obojenih vrata. Kako biste izbjegli moguće oštećenje, koristite samo meku čistu krpu za poliranje i brisanje vrata.

#### Stil 2 — Nehrđajući čelik

##### VAŽNO:

- Koristite samo preporučena sredstva i krpe za čišćenje nehrđajućeg čelika. Oštećenja površini nehrđajućeg čelika nastala zbog nepravilnog korištenja proizvoda za čišćenje ili korištenja nepreporučenih proizvoda za čišćenje nisu pokrivena jamstvom.
- Izbjegavajte izlaganje aparata od nehrđajućeg čelika kaustičnim ili korozivnim elementima kao što su okoline s visokim postotkom soli, vlage ili vlažnosti. Oštećenja koja nastaju zbog izlaganja tim elementima nisu pokrivena jamstvom.

KORISTITE	NE KORISTITE
✓ Meku čistu krpu	✗ Abrazivne krpe ✗ Papirnate ručnike ili novine ✗ Jastučice od čelične vune
✓ Toplu sapunjavu vodu s blagim deterdžentom	✗ Abrazivne praške ili tekućine ✗ Amonijak ✗ Sredstva za čišćenje na bazi agruma ✗ Sredstva za čišćenje na bazi kiseline ili octa ✗ Sredstva za čišćenje pećnice
✓ U slučaju visokog stupnja zaprljanja, koristite samo sredstvo za čišćenje nehrđajućeg čelika osmišljeno za kućanske aparate. Kako biste naručili sredstvo za čišćenje, obratite se trgovcu od kojeg ste kupili svoj hladnjak.	✗ Sredstvo za čišćenje nehrđajućeg čelika namijenjeno je samo za čišćenje dijelova od nehrđajućeg čelika. Nemojte dozvoliti da sredstva za čišćenje i poliranje nehrđajućeg čelika dolaze u doticaj s bilo kojim od plastičnih dijelova kao što su komadi obruba, poklopci dozatora ili brtve na vratima.

#### Stil 3 — Nehrđajući čelik otporan na otiske prstiju

##### VAŽNO:

- Izbjegavajte izlaganje aparata od nehrđajućeg čelika kaustičnim ili korozivnim elementima kao što su okoline s visokim postotkom soli, vlage ili vlažnosti. Oštećenja koja nastaju zbog izlaganja tim elementima nisu pokrivena jamstvom.

KORISTITE	NE KORISTITE
✓ Meku čistu krpu	✗ Abrazivne krpe ✗ Papirnate ručnike ili novine ✗ Jastučice od čelične vune
✓ Toplu sapunjavu vodu s blagim deterdžentom	✗ Abrazivne praške ili tekućine ✗ Sprejeve za pranje prozora ✗ Amonijak ✗ Sredstva za čišćenje na bazi kiseline ili octa ✗ Sredstva za čišćenje pećnice ✗ Zapaljive tekućine

##### NAPOMENE:

- Ako dođe do nenamjernog kontakta, plastični dio operite spužvom natopljenom blagim deterdžentom u toploj vodi. Temeljito osušite mekom krpom.
- Samo zato što je sredstvo za čišćenje u tekućem stanju, to ne znači da nije abrazivno. Mnoga od tekućih sredstava za čišćenje čija je formula blaga prema popločanim i glatkim površinama još uvijek oštećuje nehrđajući čelik.
- Limunska kiselina trajno mijenja boju nehrđajućeg čelika.
- Kako biste spriječili oštećenje površine svojeg hladnjaka od nehrđajućeg čelika:

##### Nemojte dozvoliti da ove tvari ostanu na površini:

- ✗ Senf
- ✗ Sok od rajčice
- ✗ Umak marinara
- ✗ Umaci na bazi agruma
- ✗ Proizvodi na bazi agruma

---

## Unutarnje čišćenje

---

1. Hladnjak iskopčajte iz struje ili prekinite dovod električne energije.
2. Temeljito ručno operite, isperite i osušite odvojive dijelove i njegove unutarnje površine. Koristite čistu spužvu ili meku krpu i blagi deterdžent u toploj vodi.  
**NAPOMENA:** Abrazivna ili oštra sredstva za čišćenje kao što su sprejevi za čišćenje prozora, sredstva za ribanje, zapaljive tekućine, voskovi za čišćenje, koncentrirani deterdženti, izbjeljivači ili sredstva za čišćenje koja sadrže proizvode od petroleja ne upotrebljavajte na plastičnim dijelovima, unutarnjim prevlakama i prevlakama na vratima ili na brtvama.
3. Priključite hladnjak na struju ili ponovno spojite napajanje.

---

## Čišćenje kondenzatora

---

Ovaj hladnjak ima kondenzator ugrađen u zidove s obje strane hladnjaka. Normalno je osjećati toplinu na bočnim stranicama.

---

## Svjetla

---

Svjetla u odjeljcima kako hladnjaka tako i zamrzivača su LED diode koje ne treba mijenjati. Ako se svjetla ne pale kada su vrata otvorena, obratite se trgovcu od kojeg ste kupili svoj hladnjak.

---

## Održavanje prilikom praznika i selidbe

---

---

### Praznici

---

#### Odlučite li se ostaviti hladnjak uključenim dok ste odsutni:

1. Upotrijebite sve pokvarljive namirnice i smrznite ostale artikle.
2. Ako vaš hladnjak ima ledomat i ako je spojen na dovod vode u kućanstvu, isključite dovod vode u hladnjak. Može doći do oštećenja imovine ako dovod vode nije isključen.
3. Ako imate ledomat, isključite ga.
  - Pritisnite prekidač na Isključeno (O) za ledomat na vratima.
4. Ispraznite posudu za led.

#### Odlučite li se isključiti hladnjak prije nego što odete:

**NAPOMENA:** Stavite hladnjak u Demo način rada dok ste na praznicima. Pogledajte odlomak „Korištenje komandi”.

1. Izvadite svu hranu iz hladnjaka.
2. Ako vaš hladnjak ima ledomat:
  - Obustavite dovod vode u ledomat barem 1 dan prije vremena.
  - Nakon ispadanja posljednje količine leda, pritisnite prekidač na Isključeno (O) kako ne bi bio osvijetljen na unutrašnjem gornjem dijelu hladnjaka ovisno o vašem modelu.
3. Ispraznite posudu za led.
4. Isključite komande temperature. Pogledajte odlomak „Korištenje komandi”.
5. Očistite hladnjak, obrišite ga i temeljito osušite.
6. Stavite gumenu traku ili drvene blokove na vrh obaju vrata kako biste ih poduprli tek toliko da se dovoljno otvore da u njih uđe zrak. Time se zaustavlja nakupljanje neugodnih mirisa i plijesni u hladnjaku.

---

## Selidba

---

Prilikom selidbe hladnjaka u novi dom, slijedite ove korake kako biste ga pripremili za preseljenje.


1. Ako vaš hladnjak ima ledomat:
  - Obustavite dovod vode u ledomat barem 1 dan prije vremena.
  - Odvojite cijevi za dovod vode na poleđini hladnjaka.
  - Nakon ispadanja posljednje količine leda, pritisnite prekidač na Isključeno (O) ili na ledomatu ili na komandi, ovisno o vašem modelu.
2. Izvadite svu hranu iz hladnjaka i spakirajte svu smrznutu hranu u suhi led.
3. Ispraznite posudu za led.
4. Iskopčajte hladnjak iz struje.
5. Očistite ga, obrišite i temeljito osušite.
6. Izvadite iz njega sve odvojive dijelove, dobro ih zamotajte i međusobno polijepite trakom tako da se ne pomiču i ne tresu tijekom pomicanja.
7. Ovisno o modelu, podignite prednji dio hladnjaka tako da se lakše kotrlja ili podignite vijke za niveliranje tako da ne grebu pod. Pogledajte odlomke „Prilagodba vrata” ili „Niveliranje hladnjaka i zatvaranje vrata”.
8. Trakom zalijepite zatvorena vrata, a trakom zalijepite i priključni kabel na poleđinu hladnjaka.

Kada stignete u svoj novi dom, sve stavite natrag na mjesto i pogledajte odlomak „Upute za postavljanje” radi uputa o pripremi. Također, ako vaš hladnjak ima ledomat, ne zaboravite ponovno spojiti dovod vode na hladnjak.

# OTKLANJANJE POTEŠKOĆA

Ako je moguće, prvo pokušajte primijeniti ovdje predložena rješenja kako biste izbjegli pozivanje servisa.

**⚠ UPOZORENJE**



**Opasnost od strujnog udara**

**Utaknuti u uzemljenu utičnicu.**

**Ne uklanjajte kontakt za uzemljenje.**

**Ne koristite adapter.**

**Ne koristite produžni kabel.**

**U slučaju nepridržavanja ovih uputa može doći do smrti, požara ili strujnog udara.**

Ako vam se događa sljedeće	Mogući uzroci	Rješenje
<b>Rad hladnjaka</b>		
Hladnjak neće raditi.	Provjerite električno napajanje.	Priključni kabel utaknite u uzemljenu utičnicu.
		Ne koristite produžni kabel.
		Uvjerite se da je utičnica pod naponom. Priključite svjetiljku kako biste vidjeli da li utičnica radi.
		Resetirajte aktivirani prekidač strujnog kruga. Zamijenite sve pregorjele osigurače. <b>NAPOMENA:</b> Ako problemi ne prestaju, obratite se električaru.
	Provjerite komande.	Uvjerite se da su komande uključene. Pogledajte odlomak „Korištenje komandi”.
	Novo postavljanje.	Pustite da proteknu 24 sata nakon postavljanja kako bi se hladnjak potpuno ohladio. <b>NAPOMENA:</b> Prilagodnom komandi temperature na najhladniju postavku neće brže ohladiti nijedan od odjeljaka.
	Komanda hladnjaka nalazi se u Demo načinu rada (na nekim modelima).	Ako je hladnjak u Demo načinu rada, hlađenje je isključeno, a riječ „Demo” će svijetliti na upravljačkoj ploči. Pogledajte odlomak „Korištenje komandi” da biste dobili više informacija.
Čini se da motor previše radi.	Visoko učinkoviti kompresor i ventilatori.	Veći, učinkovitiji hladnjaci rade dulje na nižim, energetski učinkovitijim brzinama.
	Sobna ili vanjska temperatura je visoka.	Normalno je da hladnjak radi dulje u tim uvjetima. Za postizanje optimalnog radnog učinka, hladnjak stavite u unutarnji prostor, u okolinu s kontroliranom temperaturom. Pogledajte odlomak „Zahtjevi lokacije”.
	U hladnjak je nedavno stavljena velika količina tople hrane.	Topla hrana će prouzročiti dulji rad hladnjaka sve dok se zrak ne ohladi na željenu temperaturu.
	Vrata hladnjaka su prečesto ili predugo otvorena.	Topao zrak koji ulazi u hladnjak uzrokuje njegov intenzivniji rad. Vrata otvarajte rjeđe.
	Otvorena su vrata hladnjaka ili ladica zamrzivača.	Uvjerite se da je hladnjak poravnat. Pogledajte odlomak „Niveliranje hladnjaka i zatvaranje vrata”. Pazite da hrana i spremnici ne blokiraju vrata.
	Komanda hladnjaka postavljena je na prenisku temperaturu.	Komandu hladnjaka namjestite na manje hladnu postavku sve dok se ne postigne željena temperatura hladnjaka.
	Brtva na vratima ili na ladici je prljava, istrošena ili napukla.	Očistite ili promijenite brtvu. Propuštanja na brtvi vrata prouzročit će dulji rad hladnjaka radi održavanja željenih temperatura.

# OTKLANJANJE POTEŠKOĆA

Ako je moguće, prvo pokušajte primijeniti ovdje predložena rješenja kako biste izbjegli pozivanje servisa.

Ako vam se događa sljedeće	Mogući uzroci	Rješenje
Svjetla ne rade.	Vaš je hladnjak opremljen LED rasvjetom koju ne treba mijenjati.	Ako se hladnjak napaja električnom energijom, a svjetla se ne pale kada su vrata ili ladica otvoreni, nazovite servis ili službu za pomoć.
	Vrata su bila otvorena dulje od 10 minuta.	Zatvorite vrata i ladicu kako biste resetirali funkciju i nastavili sa osvjetljenim zadatkom.
	Sklopka na vratima ne detektira otvaranje vrata.	Uvjerite se da u krugu od 7,62 cm (3") od poklopca na šarki nema magneta ili elektroničkih uređaja.
Korisničko sučelje komande temperature se ne uključuje.	Korisničko sučelje komande temperature se deaktiviralo.	Pritisnite bilo koji gumb na korisničkom sučelju kako biste aktivirali korisničko sučelje komande temperature.
	Gumbi korisničkog sučelja komande temperature ne rade dobro.	Pokušajte nekoliko puta zaredom uključiti i isključiti hladnjak kako biste resetirali gumb. Ako problem i dalje postoji, nazovite servis ili službu za pomoć.
	Korisničko sučelje komande temperature se nema napajanje.	Provjerite ožičenje na šarki vrata.
Nije moguće podesiti postavku na korisničkom sučelju komande temperature.	Vrata su otvorena, a alarm odškrinutih vrata je aktiviran.	Zatvorite vrata.
<b>Neuobičajena buka</b>		
Kako biste čuli normalne zvukove hladnjaka, idite u odjeljak Pomoć u vezi proizvođača/Često postavljana pitanja na web-mjestu robne marke proizvođača i potražite stavku „normalni zvukovi.” U nastavku je naveden popis nekih normalnih zvukova s objašnjenjima.		
Čini se da je hladnjak bučan.	Kompresor u vašem novom hladnjaku regulira temperaturu učinkovitije dok koristi manje energije i radi tiše.	Zbog tog smanjenja buke pri radu, možete primijetiti nepoznate zvukove, što je normalno.
Zvuk kompresora koji radi dulje nego što se očekuje.	Visoko učinkoviti kompresor i ventilatori.	Veći, učinkovitiji hladnjaci rade dulje na nižim, energetski učinkovitijim brzinama.
Pulsiranje/zujanje	Ventilator/kompresor se prilagođavaju radi optimiziranja radnog učinka tijekom normalnog rada kompresora.	To je normalno.
Praskanje	Stežanje/širenje unutarnjih stjenki, osobito tijekom početnog hlađenja.	To je normalno.
Piskutanje/kapanje	Protok rashladnog sredstva ili protok ulja u kompresoru.	To je normalno.
Vibracija	Hladnjak se možda tresse.	Namjestite vijke za niveliranje i spustite nožicu za niveliranje čvrsto na pod. Pogledajte odlomak „Niveliranje hladnjaka i zatvaranje vrata”.
Zveckanje/lupanje	Pomicanje cijevi za vodu po ormaru hladnjaka ili artikala stavljenih u gornji dio ormara hladnjaka.	Suvišne cijevi za vodu izvadite iz ormara hladnjaka ili ih pritegnite uz ormar. Pogledajte odlomak „Priklučivanje dovoda vode” ili uklonite artikle iz gornjeg dijela hladnjaka.
Cvrčanje	Voda kapa po grijaču tijekom ciklusa odmrzavanja.	To je normalno.
Voda teče/klokoće	Može se čuti kada se led topi tijekom ciklusa odmrzavanja, a voda teče u posudu za ispuštanje.	To je normalno.

# OTKLANJANJE POTEŠKOĆA


Ako je moguće, prvo pokušajte primijeniti ovdje predložena rješenja kako biste izbjegli pozivanje servisa.

Ako vam se događa sljedeće	Mogući uzroci	Rješenje
<b>Temperatura i vlaga</b>		
Temperatura je previsoka.	Hladnjak je tek postavljen.	Pustite da proteknu 24 sata nakon postavljanja kako bi se hladnjak potpuno ohladio.
	Komande nisu postavljene pravilno za okolne uvjete.	Podesite komande na hladnije postavke. Provjeravajte temperaturu tijekom 24 sata. Pogledajte odlomak „Korištenje komandi”.
	Vrata se često otvaraju ili se ne zatvaraju do kraja. To omogućava da topao zrak ulazi u hladnjak.	Otvore na vratima smanjite na najmanju mjeru i potpuno zatvorite vrata.
	U hladnjak je nedavno stavljena velika količina hrane.	Pustite da prođe nekoliko sati kako bi se hladnjak vratio na normalnu temperaturu.
	Uključen je demo način rada.	Isključite demo način rada. Pogledajte odlomak „Korištenje komande”.
	Uključen je praznični način rada.	Isključite praznični način rada. Pogledajte odlomak „Korištenje komande”.
Temperatura u hladnjaku/ladici za voće i povrće je preniska.	Otvor(i) za zrak na hladnjaku su blokirani.	Ako je otvor za zrak koji se nalazi na sredini stražnjeg dijela odjeljka hladnjaka blokirani artiklima koji su postavljeni izravno ispred njega, hladnjak će postati prehladan. Odmaknite artikle od otvora za zrak.
	Komande nisu postavljene pravilno za okolne uvjete.	Podesite komande na topliju postavku. Provjeravajte temperaturu tijekom 24 sata. Pogledajte odlomak „Korištenje komandi”.
	Posuda za čuvanje leda nije u pravilnom položaju.	Pogledajte odlomak „Uređaj za pravljenje leda i posuda za čuvanje”.
Temperatura u ladici s kontroliranom temperaturom je preniska.	Komanda nije podešena pravilno za artikle koji se čuvaju u ladici.	Namjestite postavku temperature. Pogledajte dio „Korištenje komandi” u odlomku „Uporaba hladnjaka”.
Dolazi do nakupljanja vlage u unutrašnjosti. <b>NAPOMENA:</b> Mali porast vlage je normalan.	Prostorija je vlažna.	Vlažna okolina pridonosi porastu vlage.
	Vrata se često otvaraju ili se ne zatvaraju do kraja. To omogućava da vlažan zrak ulazi u hladnjak.	Otvore na vratima smanjite na najmanju mjeru i potpuno zatvorite vrata.
	Vrata su blokirana u otvorenom položaju.	Pakete s hranom odmaknite od vrata.
	Posuda ili policu pravi smetnje.	Posudu ili policu gurnite natrag u pravilan položaj.
	Čuvanje tekućine u otvorenim spremnicima.	Time se dodaje vlaga u unutrašnjost hladnjaka. Dobro zatvorite sve spremnike.
Postoji nakupina mraza/leda u odjeljku zamrzivača.	Vrata su otvorena ili su ostala otvorena.	Otvore na vratima smanjite na najmanju mjeru i potpuno zatvorite ladicu nakon upotrebe.
	Brtvilo na vratima je slabo.	Uvjerite se da brtve na vratima u potpunosti dotiču ormar hladnjaka kako bi se zabrtvile na odgovarajući način.
	Komande temperature nisu pravilno podešene.	Pogledajte odlomak „Korištenje komandi” da biste doznali više o preporučenim postavkama temperature.

# OTKLANJANJE POTEŠKOĆA

Ako je moguće, prvo pokušajte primijeniti ovdje predložena rješenja kako biste izbjegli pozivanje servisa.

**⚠ UPOZORENJE**



**Opasnost od eksplozije**  
**Koristite nezapaljivo sredstvo za čišćenje.**  
**U slučaju da se to ne učini, može doći do smrti, eksplozije ili požara.**

Kako biste pogledali animaciju koja prikazuje kako se namještaju i poravnavaju vrata, idite u odjeljak Pomoć u vezi proizvoda/Često postavljana pitanja na web-mjestu robne marke proizvođača i potražite stavku „Zatvaranje i poravnavanje vrata.”

Ako vam se događa sljedeće	Mogući uzroci	Rješenje
<b>Vrata</b>		
Vrata se ne zatvaraju do kraja.	Vrata su blokirana u otvorenom položaju.	Pakete s hranom odmaknite od vrata.
	Posuda ili policu pravi smetnje.	Posudu ili policu gurnite natrag u pravilan položaj.
	Nedavno postavljeno	Uklonite sav ambalažni materijal.
Vrata se teško otvaraju.	Brtve na vratima su prljave ili ljepljive.	Brtve i kontaktne površine očistite blagim sapunom i toplom vodom. Isperite i osušite mekom krpom.
Čini se da su vrata neravna.	Vrata treba poravnati ili hladnjak treba nivelirati.	Ako trebate poravnati vrata, molimo vas da nazovete servis.
Hladnjak je nestabilan ili se prevrće prema naprijed prilikom otvaranja i zatvaranja vrata.	Kočne nožice hladnjaka ne prijanjaju za pod.	Obje kočne nožice (po jedna sa svake strane) jednak broj puta okrenite u smjeru okretanja kazaljki na satu, sve dok ne prijanjaju na pod. Pogledajte odlomak „Niveliranje hladnjaka i zatvaranje vrata”.



# Obsah

<b>BEZPEČNOST CHLADNIČKY .....</b>	<b>346</b>
Správná likvidace vaší staré chladničky .....	349
<b>DÍLY A FUNKCE .....</b>	<b>350</b>
<b>POKYNY K INSTALACI .....</b>	<b>351</b>
Začínáme .....	351
Vybalení chladničky .....	351
Požadavky na umístění .....	352
Požadavky na elektroinstalaci.....	352
Odstanění a nasazení dveří chladničky .....	354
Odstanění a nasazení dveří mrazničky/Flexi Freeze.....	356
Vyrovňování chladničky .....	357
Používání ovládacích prvků .....	358
Osvětlení chladničky .....	359
<b>POUŽITÍ CHLADNIČKY .....</b>	<b>360</b>
Otevírání a zavírání dveří .....	360
Skladování potravin .....	360
<b>POLICE, NÁDOBY A ZÁSUVKY .....</b>	<b>361</b>
Úložné prostory mrazničky .....	362
Zvukové signály .....	362
Příslušenství .....	362
Asistence nebo servis.....	362
<b>ÚDRŽBA CHLADNIČKY .....</b>	<b>363</b>
Čištění .....	363
Světla.....	364
Dovolená a údržba při stěhování .....	364
<b>ODSTRAŇOVÁNÍ ZÁVAD .....</b>	<b>365</b>

# BEZPEČNOST CHLADNIČKY

## Vaše bezpečnost a bezpečnost dalších osob je velice důležitá.

V tomto návodu a na vašem spotřebiči uvádíme spoustu důležitých bezpečnostních hlášení. Všechny bezpečnostní hlášení si vždy přečtete a dodržujete je.



Toto je symbol bezpečnostního upozornění.

Tento symbol vás upozorňuje na potenciální nebezpečí, které vás či jiné osoby může usmrtit nebo zranit.

Všechna bezpečnostní hlášení budou následovat po uvedení symbolu bezpečnostního upozornění a slovu „NEBEZPEČÍ“ nebo „VAROVÁNÍ“.

Tato slova znamenají:

**⚠ NEBEZPEČÍ**

Pokud nebudete ihned postupovat podle pokynů, může dojít k vašemu usmrcení nebo vážnému zranění.

**⚠ VAROVÁNÍ**

Pokud nebudete postupovat podle pokynů, může dojít k vašemu usmrcení nebo vážnému zranění.

Všechna bezpečnostní hlášení vám sdělí, jaké je potenciální nebezpečí, sdělí vám, jak snížit možnost zranění, a rovněž uvede, co by se mohlo stát, pokud nebudete pokyny dodržovat.

Před používáním spotřebiče si přečtěte tyto bezpečnostní pokyny. Uchovejte je v blízkosti spotřebiče pro budoucí použití. Tyto pokyny a samotný spotřebič poskytují důležitá bezpečnostní varování, která musí být za všech okolností dodržována. Výrobce neodpovídá za nedodržení těchto bezpečnostních pokynů, za nevhodné použití přístroje nebo za nesprávné nastavení ovládacích prvků.

⚠ Velmi malé děti (0-3 let) by měly být mimo dosah spotřebiče. Malé děti (3-8 let) by měly být mimo dosah spotřebiče, pokud nejsou pod neustálým dohledem. Děti od 8 let a starší a osoby se sníženými fyzickými, smyslovými nebo duševními schopnostmi nebo nedostatečnými zkušenostmi a znalostmi mohou používat toto zařízení pouze tehdy, pokud jsou pod dohledem nebo jim byly poskytnuty pokyny pro bezpečné používání a pochopily příslušná rizika. Děti si se spotřebičem nesmějí hrát. Děti nesmějí spotřebič čistit ani provádět jeho údržbu bez dohledu dospělých.

## POVOLENÉ POUŽITÍ

⚠ UPOZORNĚNÍ: Spotřebič není určen k používání pomocí externího spínacího zařízení, např. časovače, nebo samostatného dálkově ovládaného systému.

⚠ Tento spotřebič je určen k použití v domácnosti a podobných prostředích, jako jsou: kuchyňské prostory pro zaměstnance v obchodech, kancelářích a jiných pracovních prostředích; zemědělské budovy; pro klienty v hotelích, motelech, penzionech a jiných obytných prostorách.

⚠ Tento spotřebič není určen pro profesionální použití. Nepoužívejte spotřebič venku.

⚠ Spotřebič je určen pro provoz v místech, kde teplota okolí dosahuje následujících rozsahů, podle klimatické třídy uvedené na typovém štítku. Spotřebič nemusí pracovat správně, pokud je ponechán delší dobu při teplotě mimo stanovený rozsah.

Klimatická třída okol. tepl. (°C)

SN: Od 10 do 32 °C; N: Od 16 do 32 °C

ST: Od 16 do 38 °C; T: Od 16 do 43 °C

⚠ Tento spotřebič neobsahuje CFC. Okruh chladiva obsahuje R600a (HC). Spotřebiče s izobutanem (R600a): izobutan je zemní plyn bez vlivu na životní prostředí, ale je hořlavý. Proto se ujistěte, že potrubí okruhu chladiva není poškozeno, zejména při vypouštění okruhu chladiva.

⚠ VAROVÁNÍ: Nepoškozujte potrubí chladicího okruhu spotřebiče.

⚠ VAROVÁNÍ: Udržujte ventilační otvory v krytu spotřebiče nebo ve vestavěné konstrukci bez překážek.

⚠ VAROVÁNÍ: Nepoužívejte jiné mechanické, elektrické nebo chemické prostředky, než které doporučuje výrobce k urychlení procesu odmrazování.

⚠ VAROVÁNÍ: Nepoužívejte a neumísťujte elektrická zařízení do oddílů spotřebiče, pokud nejsou výslovně schválena výrobcem.

⚠ VAROVÁNÍ: Výrobníky ledu a / nebo dávkovače vody, které nejsou přímo připojeny k přívodu vody, musí být naplněny pouze pitnou vodou.

⚠ VAROVÁNÍ: Automatické výrobníky ledu a / nebo zásobníky vody musí být připojeny k vodovodnímu potrubí, které dodává pouze pitnou vodu, při tlaku vody v rozvodné síti mezi 0,17 a 0,81 MPa (1,7 a 8,1 baru).

⚠ Neukládejte do tohoto spotřebiče výbušné látky, jako například aerosolové plechovky s hořlavým hnacím plynem.

⚠ Nepolykejte obsah (netoxických) balení ledu (dodávané s některými modely). Nejezte kostky ledu ani ledová lízátka ihned po jejich vyjmutí z mrazničky, protože mohou způsobit omrzliny.

⚠ U výrobků určených pro použití vzduchového filtru uvnitř přístupného krytu ventilátoru musí být filtr vždy v poloze, kdy je chladnička v provozu.

⚠ Neskladujte skleněné nádoby s kapalinami v mrazicím prostoru, protože by mohly prasknout. Nezakrývejte ventilátor (pokud je součástí dodávky) potravinami. Po uložení potravin zkontrolujte, zda se dveře oddílu řádně zavrou, zejména dveře mrazničky.

⚠ Poškozená těsnění musí být co nejdříve vyměněna.

⚠ Použijte chladničku pouze pro uchovávání čerstvých potravin a oddíl mrazničky pouze pro skladování zmrazených potravin, zmrazení čerstvých potravin a výrobu kostek ledu.

⚠ Zabraňte skladování nezabaleného jídla v přímém kontaktu s vnitřními plochami chladničky nebo mrazničky. Spotřebiče by mohly mít speciální oddíly (oddíl na pro čerstvé potraviny, schránku s teplotou 0 stupňů apod.). Pokud není uvedeno v konkrétní brožurce k produktu jinak, mohou být odstraněny a zachovány odpovídající výkony.

## INSTALACE

⚠ Se spotřebičem musí manipulovat a instalovat jej dvě nebo více osob - nebezpečí zranění. Používejte ochranné rukavice k rozbalení a instalaci - nebezpečí pořezání.

⚠ Instalace včetně případného přívodu vody (pokud je zapotřebí) a elektrických přípojek a opravy musí prováděny kvalifikovaným technikem. Neopravujte ani nevyměňujte žádnou část spotřebiče, pokud to není výslovně uvedeno v uživatelské příručce. Držte děti mimo místo instalace.

Po vybalení spotřebiče se ujistěte, že během přepravy nebyl poškozen. V případě problému se obraťte na prodejce nebo na nejbližší servis. Po instalaci musí být obalový odpad (plast, polystyrén atd.) uložen mimo dosah dětí - nebezpečí udušení. Před každou instalací musí být spotřebič odpojen od napájecího zdroje - nebezpečí úrazu elektrickým proudem. Během instalace se ujistěte, že spotřebič nepoškodil napájecí kabel - nebezpečí požáru nebo úrazu elektrickým proudem. Spotřebič zapněte až po dokončení instalace.

⚠ Dbejte na to, aby při přemísťování spotřebiče nedošlo k poškození podlah (např. parket). Umístěte spotřebič na podlahu nebo podložku dostatečně silnou, aby unesla jeho hmotnost, a na místě vhodném pro jeho velikost a použití. Ujistěte se, že spotřebič není blízko zdroje tepla a že jeho čtyři nohy jsou stabilní a spočívají na podlaze. Nastavte je podle potřeby a pomocí vodováhy zkontrolujte, zda je spotřebič dokonale vyrovnaný. Před zapnutím spotřebiče počkejte nejméně dvě hodiny, abyste zajistili, že okruh chladiwa bude plně účinný.

⚠ Chcete-li zajistit dostatečné větrání, ponechte prostor na obou stranách a nad spotřebičem. Vzdálenost mezi zadní částí spotřebiče a stěnou za spotřebičem by měla být 50 mm, aby nedošlo k přístupu k horkým plochám. Snížením tohoto prostoru se zvýší spotřeba energie produktu.

⚠ **VAROVÁNÍ:** Aby se zabránilo nebezpečím z důvodu nestability, musí být umístění nebo upevnění spotřebiče provedeno v souladu s pokyny výrobce. Je zakázáno umístit chladničku tak, aby kovová hadice plynového sporáku, kovového plynové nebo vodovodní potrubí nebo elektrické vodiče byly v kontaktu se zadní stěnou chladničky (kondenzátorovou cívkou).

⚠ Pokud je nutné vyměnit dveře, kontaktujte centrum technické asistence.

### **ELEKTRICKÁ UPOZORNĚNÍ**

⚠ Musí být možné odpojit spotřebič od napájení jeho odpojením ze sítě, pokud je zástrčka přístupná, nebo vícepólovým spínačem namontovaným před zásuvkou v souladu s pravidly elektroinstalace a spotřebič musí být uzemněn v souladu s národními bezpečnostními elektrickými normami.

⚠ Nepoužívejte prodlužovací kabely, vícenásobné zásuvky nebo adaptéry. Po instalaci nesmějí být elektrické komponenty uživateli přístupné. Nepoužívejte spotřebič, pokud jste mokří nebo bosí. Nepoužívejte tento spotřebič, pokud má poškozený napájecí kabel nebo zástrčku, pokud nefunguje správně, je poškozen nebo spadl.

⚠ Jestliže je poškozený napájecí kabel, smí ho za identický vyměnit pouze výrobce, servisní technik nebo osoba s podobnou příslušnou kvalifikací, jinak by mohlo dojít k úrazu - nebezpečí úrazu elektrickým proudem.

⚠ **VAROVÁNÍ:** Při umístění spotřebiče se ujistěte, že přívodní kabel není zachycen nebo poškozen.


⚠ **VAROVÁNÍ:** Neumísťujte k zadní straně spotřebiče více přenosných zásuvek nebo přenosných napájecích zdrojů .

### **ČISTĚNÍ A ÚDRŽBA**

⚠ **VAROVÁNÍ:** Před prováděním jakékoli údržby se ujistěte, že je spotřebič vypnutý a odpojený od napájení; nikdy nepoužívejte úklidová zařízení - riziko úrazu elektrickým proudem.

⚠ Nepoužívejte na plastové součásti, vnitřní povrchy a vložky dveří nebo těsnění abrazivní či drsné čisticí prostředky, jako jsou spreje na okna, čisticí písek, hořlavé kapaliny, čisticí vosky, koncentrované čisticí prostředky, bělicí prostředky nebo čisticí prostředky obsahující ropné produkty. Nepoužívejte papírové ručníky, brusné houbičky nebo jiné drsné čisticí nástroje.


### **LIKVIDACE OBALOVÉHO MATERIÁLU**

Obal je ze 100% recyklovatelného materiálu a je označen symbolem recyklace .

Různé části obalového materiálu proto nevyhazujte s domácím odpadem, ale zlikvidujte ho podle platných místních předpisů.

### **LIKVIDACE DOMÁCÍCH SPOTŘEBIČŮ**

Tento spotřebič je vyroben s použitím recyklovatelných nebo opakovaně použitelných materiálů. Zlikvidujte jej v souladu s místními předpisy pro likvidaci odpadů. Další informace o úpravě, využití a recyklaci elektrických domácích spotřebičů získáte od místního úřadu, centra pro sběr domovního odpadu nebo od obchodu, kde jste spotřebič zakoupili. Tento spotřebič je označen v souladu s evropskou směrnicí 2012/19/EU o likvidaci elektrického a elektronického zařízení (WEEE). Zajištěním správné likvidace tohoto spotřebiče pomůžete zabránit negativním následkům pro životní prostředí a lidské zdraví.

Symbol  na spotřebiči nebo přiložených dokumentech udává, že tento spotřebič nepatří do domácího odpadu, ale je nutné ho odvézt do příslušného sběrného místa pro recyklaci elektrických a elektronických zařízení.

### **TIPY NA ÚSPORU ENERGIE**

Instalujte spotřebič na suchém, dobře větraném místě, vzdáleném od zdroje tepla (např. radiátor, sporák apod.) a na místě, které není přímo vystaveno slunci. V případě potřeby použijte izolační desku.

Pro zajištění dostatečného větrání dodržujte pokyny k instalaci. Nedostatečná ventilace na zadní straně výrobku zvyšuje spotřebu energie a snižuje účinnost chlazení.

Časté otevírání dveří může způsobit zvýšení spotřeby energie. Vnitřní teplota spotřebiče a spotřeba energie mohou být ovlivněny také teplotou okolí a umístěním spotřebiče. Nastavení teploty by mělo brát v úvahu tyto faktory. Omezte otevírání dveří na minimum.

Když rozmrazujete zmrazené potraviny, umístěte je do chladničky. Nízká teplota zmrazených produktů ochladí potraviny v chladničce. Před vložením do spotřebiče nechte teplé pokrmy a nápoje vychladnout. Umístění polic v chladničce nemá vliv na efektivní využití energie. Potraviny by měly být umístěny na policích tak, aby byla zajištěna správná cirkulace vzduchu (potraviny by se neměly dotýkat a měla by být zachována vzdálenost mezi potravinami a zadní stěnou).

Můžete zvýšit skladovací kapacitu mražených potravin odstraněním košů a, pokud je k dispozici, pomocí police Stop Frost.

Nedělejte si starosti o zvuky vycházející z kompresoru, které jsou popsány jako normální zvuky v Rychlém průvodci k tomuto produktu.



## Správná likvidace vaší staré chladničky

### **⚠ VAROVÁNÍ**

#### **Nebezpečí zadušení**

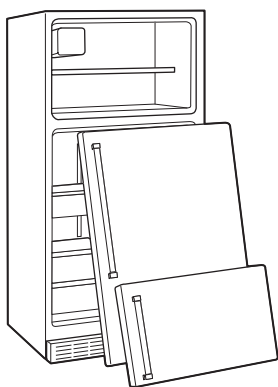
**Ze své staré chladničky odstraňte dveře.**

**V opačném případě může dojít k usmrcení nebo poškození mozku.**

**DŮLEŽITÉ:** Zachycení a udušení dětí nejsou problémy minulosti. Zastaralé nebo opuštěné chladničky jsou stále nebezpečné - i když budou stát na místě „jen pár dní“. Pokud se zbavujete vaší staré chladničky, postupujte podle těchto pokynů, abyste zabránili nehodám.

#### **Než vyhodíte svou starou chladničku nebo mrazničku:**

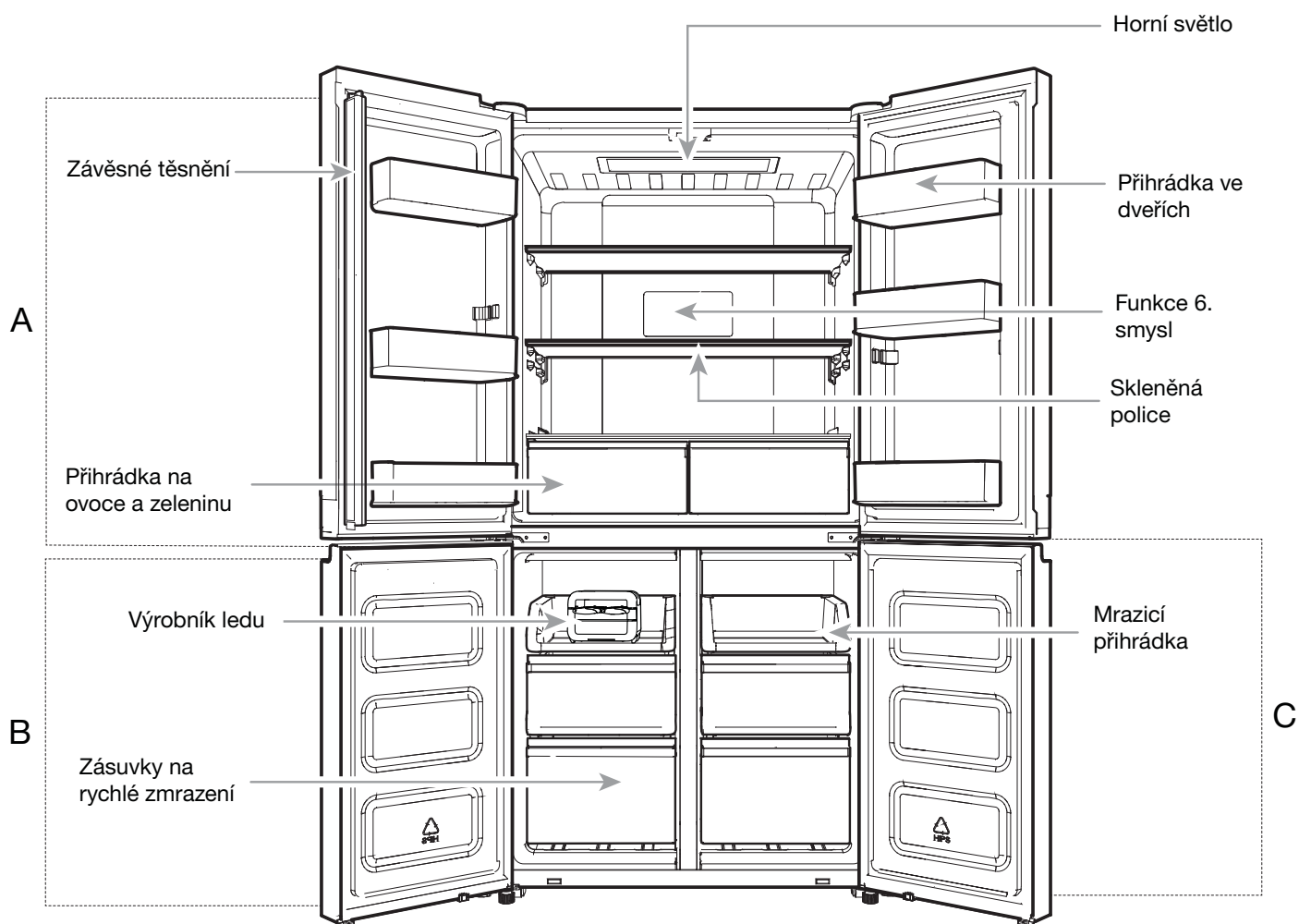
- Odstraňte dveře.
- Nechte police na místě, aby děti nemohly snadno vlézt dovnitř.



#### **Důležité informace k likvidaci chladniček:**

Chladničky likvidujte v souladu s federálními a místními předpisy. Chladničky musí být vypuštěny licencovaným technikem a v souladu se stanovenými postupy.

## DÍLY A FUNKCE



A . Chladnička

B . Mrazák

C . Flexi Freeze (pouze u WQ9 B1L, 6WM591NIHAS a WQ70900SXX)

# POKYNY K INSTALACI

## Začínáme

### KONTROLNÍ SEZNAM INSTALACE

#### ✓ Elektrická energie

## ⚠ VAROVÁNÍ



### Nebezpečí úrazu elektrickým proudem

Zapojte do uzemněné zásuvky.

Neodstraňujte uzemňovací kontakt.

Nepoužívejte adaptér (rozdvojku).

Nepoužívejte prodlužovací kabel.

Nedodržení těchto pokynů může mít za následek smrt, požár nebo úraz elektrickým proudem.

- Připojte chladničku do uzemněné zásuvky.

#### ✓ Dveře

- Pokud jsou během instalace odstraněny dveře, přečtěte si části „Odstranění a výměna dveří chladničky“ a „Odstranění a výměna dveří mrazničky“.
- Dveře jsou zcela utěsněny.
- Chladnička je rovně umístěna. Nastavte vyrovnávací nožky tak, aby spočívaly na podlaze.
- Dveře jsou v horní části rovné. (V případě potřeby použijte funkci zarovnání dveří.)

#### ✓ Závěrečné kontroly

- Odstraňte veškerý přepravní materiál.
- Nastavte ovládací prvky teploty na doporučené nastavení.
- Uložte pokyny a další literaturu.
- Chcete-li získat podrobnější asistenci, zaregistrujte svůj produkt na adrese [www.whirlpool.eu/register](http://www.whirlpool.eu/register).

## Vybalení chladničky

## ⚠ VAROVÁNÍ

### Nebezpečí nadměrné hmotnosti

Při přesouvání a instalaci chladničky pracujte ve dvou nebo více osobách.

V opačném případě může dojít ke zranění zad či jinému zranění.

### Doručení chladničky

Minimální otevření dveří je 838 mm (33"). Pokud je otevření dveří 914 mm (36") nebo méně, je nutné odstranit dveře, zásuvku a panty. Převážejte chladničku ze strany, na které se otvírají dveře.

### Při přemísťování chladničky:

Vaše chladnička je těžká. Při přemísťování chladničky pro čištění nebo údržbu nezapomeňte zakrýt podlahu lepenkou nebo dřevotřískovou deskou, aby nedošlo k poškození podlahy. Při přemísťování vždy chladničku tlačte přímo. Chladničkou nekývejte ani s ní „nechoďte“, když se ji snažíte přesunout, protože by mohlo dojít k poškození podlahy.

### Odstranění obalu

- Před zapnutím chladničky odstraňte z povrchu zbytky lepidla a lepicí pásky. Na prsty si naneste malé množství tekutého prostředku na mytí nádobí a odstraňte lepidlo. Místo otřete teplou vodou a osušte.
- Nepoužívejte ostré nástroje, alkohol, hořlavé kapaliny nebo brusné čisticí prostředky, abyste odstranili lepicí pásku nebo lepidlo. Tyto výrobky mohou poškodit povrch vaší chladničky.
- Zlikvidujte / recyklujte všechny obalové materiály.

### Čištění před použitím

Po odstranění všech obalových materiálů a před použitím chladničku uvnitř vyčistěte. Pokyny pro čištění naleznete v části „Údržba chladničky“.

### Důležité informace o skleněných policích a krytech:

Nečistěte skleněné police nebo kryty teplou vodou, když jsou studené. Police a kryty se mohou zlomit, pokud jsou vystaveny náhlým změnám teploty nebo nárazům. Tvrzené sklo je navrženo tak, aby se rozpadlo na mnoho malých kousků. To je normální. Skleněné police a kryty jsou těžké. Při jejich vyjímání použijte obě ruce, aby nedošlo k pádu.

## Požadavky na umístění

### ⚠ VAROVÁNÍ



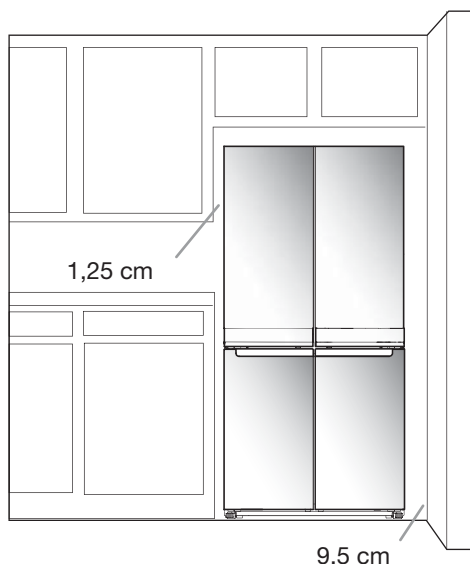
#### Nebezpečí výbuchu

Uchovávejte hořlavé materiály a výpary, jako je benzín, mimo chladničku.

V opačném případě může dojít k úmrtí, výbuchu nebo požáru.

Aby byla zajištěna správná ventilace chladničky, nechte na každé straně a nahoře prostor o rozměrech 1,25 cm. Za chladničkou ponechte prostor 5 cm. Pokud vaše chladnička obsahuje výrobek ledu, nechte na zadní straně spotřebiče prostor na přípojku vodovodního potrubí. Při instalaci chladničky vedle pevné stěny ponechte mezi chladničkou a stěnou minimální prostor o velikosti 9,5 cm, aby se dveře otevřely.

**POZNÁMKA:** Tato chladnička je určena pro použití v místech, kde se teplota pohybuje od minimálně 10 °C do maximálně 43 °C. Preferovaný rozsah pokojové teploty pro optimální výkon, který snižuje spotřebu elektřiny a poskytuje vynikající chlazení, je mezi 15 °C a 32 °C. Nedoporučujeme instalovat chladničku poblíž zdroje tepla, jako je trouba nebo radiátor.



## Požadavky na elektroinstalaci

### ⚠ VAROVÁNÍ



#### Nebezpečí úrazu elektrickým proudem

Zapojte do uzemněné zásuvky.

Neodstraňujte uzemňovací kontakt.

Nepoužívejte adaptér (rozdvojku).

Nepoužívejte prodlužovací kabel.

**Nedodržení těchto pokynů může mít za následek smrt, požár nebo úraz elektrickým proudem.**

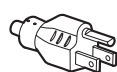
**DŮLEŽITÉ:** Montáž a elektrické připojení musí provádět kvalifikovaný technik podle pokynů výrobce a v souladu s místními bezpečnostními předpisy.

- Chladnička je navržena tak, aby fungovala na samostatném obvodu 220-240 V, 10 A, 50/60 Hz.
- Ujistěte se, že napětí uvedené na typovém štítku odpovídá napětí vaší domácnosti.
- Musí být možné odpojit spotřebič od napájení jeho odpojením ze sítě nebo pomocí hlavního dvupólového spínače nainstalovaného před zásuvkou.
- Jestliže je poškozený napájecí kabel, smí ho vyměnit pouze výrobce, servisní technik nebo osoba s podobnou příslušnou kvalifikací, jinak by mohlo dojít k úrazu.

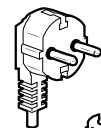
Před přemístěním chladničky do konečné polohy je důležité zajistit správné elektrické připojení:

#### Doporučená metoda uzemnění

Je vyžadováno pouze uzemněné napájení 220-240 V 50 Hz, 220 V 60 Hz nebo 230/240 V 50 Hz, 10 A.



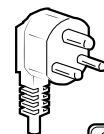
Typ B



Typ E a F



Typ I



Typ M



Typ G

#### Austrálie a Nový Zéland:

Váš nový spotřebič byl speciálně vyroben tak, aby vyhovoval všem australským normám a podmínkám.

Některé poznámky v pokynech k instalaci se mohou týkat elektrických požadavků v jiných zemích, proto těmto konkrétním poznámkám věnujte zvláštní pozornost.

Váš spotřebič musí být zapojen pouze do uzemněné síťové zásuvky 230/240 V 50 Hz, 10 A.



## Elektrické požadavky (pouze Velká Británie a Irsko)

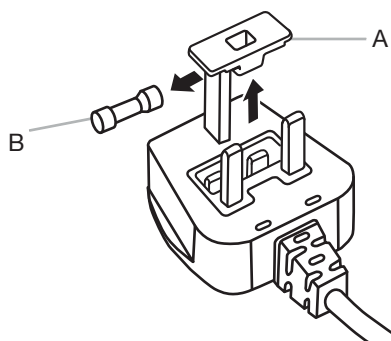
**DŮLEŽITÉ:** Tato chladnička musí být uzemněna.

### Výměna pojistek

Pokud je hlavní kabel této chladničky vybaven zástrčkou s pojistkou BS1363A, 13 A, při výměně pojistky v této zástrčce použijte pojistku schválenou A.S.T.A. podle typu BS 1362 a postupujte následovně:

1. Odmontujte kryt pojistky (A) a pojistku (B).
2. Namontujte náhradní 13A pojistku do krytu pojistky.
3. Opět vložte pojistku i její kryt do zástrčky.

**DŮLEŽITÉ:** Po výměně pojistky musí být kryt pojistky znovu nainstalován. Pokud dojde k ztrátě krytu pojistky, zástrčka nesmí být použita, dokud není nainstalován správný náhradní kryt. Správný náhradní kryt je označen barevnou vložkou nebo barevným „slovem“ vyraženým na spodní straně zástrčky. Náhradní kryty pojistky jsou k dispozici ve vašem místním obchodě s elektrickými spotřebiči.



A. Kryt pojistek  
B. Pojistka

### Irská republika (pouze):

Často platí informace týkající se Velké Británie, ale používá se také třetí typ zástrčky a zásuvky, dvoukolíkový s bočním uzemněním.

### Zásuvka/zástrčka (platí pro obě země):

Není-li nainstalována zástrčka vhodná pro vaši zásuvku, obraťte se na prodejní servis pro další pokyny. Nepokoušejte se měnit zástrčku sami. Tento postup musí být prováděn kvalifikovaným technikem v souladu s pokyny výrobce a současnými standardními bezpečnostními předpisy.

## Teplota

Tato chladnička je určena pro provoz v místech, kde teplota dosahuje následujících rozsahů, podle klimatické třídy uvedené na typovém štítku. Chladnička nemusí pracovat správně, pokud je ponechána delší dobu při teplotě mimo stanovený rozsah.

**POZNÁMKA:** Nedoporučujeme instalovat chladničku poblíž zdroje tepla, jako je trouba nebo radiátor.

Klimatická třída	Okol. tepl. (°C)	Okol. tepl. (°F)
SN	Od 10 do 32	Od 50 do 90
N	Od 16 do 32	Od 61 do 90
ST	Od 16 do 38	Od 61 do 100
T	Od 16 do 43	Od 61 do 110

## Odstranění a nasazení dveří chladničky

**POZNÁMKA:** Změřte šířku otvoru dveří, abyste zjistili, zda potřebujete odstranit dveře chladničky, abyste ji mohli přestěhovat do svého domu či bytu. Je-li nutné demontovat dveře, postupujte podle následujících pokynů.

**DŮLEŽITÉ:** Pokud jste dříve chladničku nainstalovali a stěhujete ji z domova, než začnete odstraňovat dveře, vypněte ovládací prvek chladničky. Odpojte chladničku nebo odpojte napájení. Vyjměte potraviny a nastavitelné dveře nebo zásobníky ze dveří.

Před odstraněním dveří si sežeňte potřebné nástroje a přečtěte si všechny pokyny.

**POTŘEBNÉ NÁSTROJE:** 6mm nástrčný klíč, 5mm nástrčný klíč a křížový šroubovák č. 2.



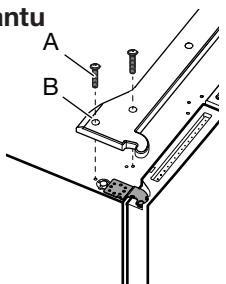
### VAROVÁNÍ

Nebezpečí úrazu elektrickým proudem

Před odstraněním dveří odpojte napájení.

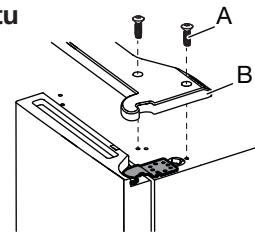
V opačném případě může dojít k úmrtí nebo úrazu elektrickým proudem.

#### Kryt levého horního pantu



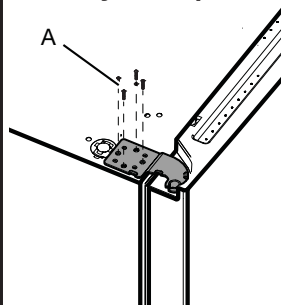
A. Šrouby krytu horního pantu  
B. Kryt horního pantu

#### Kryt pravého horního pantu



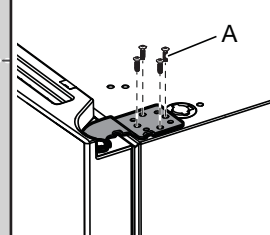
A. Šrouby krytu horního pantu  
B. Kryt horního pantu

#### Levý horní pant



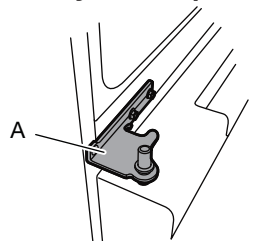
A. 5 mm šrouby

#### Pravý horní pant



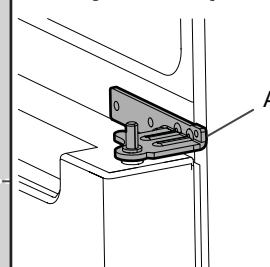
A. 5 mm šrouby

#### Levý střední pant



A. Pant

#### Pravý střední pant



A. Pant

## VAROVÁNÍ

### Nebezpečí nadměrné hmotnosti

Dveře chladničky zvedejte ve dvou nebo více lidech.

V opačném případě může dojít ke zranění zad či jinému zranění.

### Odstranění dveří chladničky

## VAROVÁNÍ



### Nebezpečí úrazu elektrickým proudem

Před odstraněním dveří odpojte napájení.

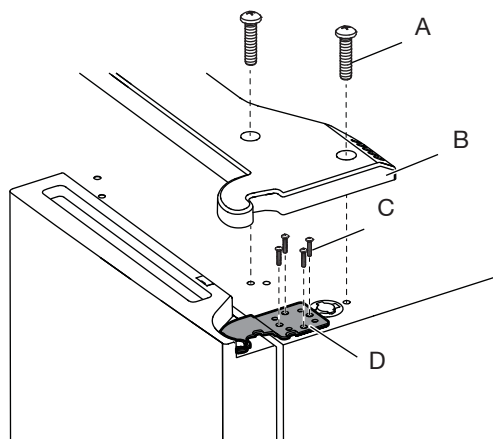
V opačném případě může dojít k úmrtí nebo úrazu elektrickým proudem.

### Odstranění pravých dveří

1. Odpojte chladničku nebo odpojte napájení.
2. Nechejte dveře chladničky zavřené, dokud nebudete připraveni je vyjmout ze skříně.

**POZNÁMKA:** Zajistěte dodatečnou podporu dveří chladničky při odstraňování pantů. Nespolehejte se na magnety těsnění dveří při udržení dveří na místě během práce.

3. Pomocí křížového šroubováku odstraňte kryt z horního pantu.
4. Pomocí 5mm nástrčného klíče odstraňte čtyři šrouby z horního pantu a odložte je stranou.



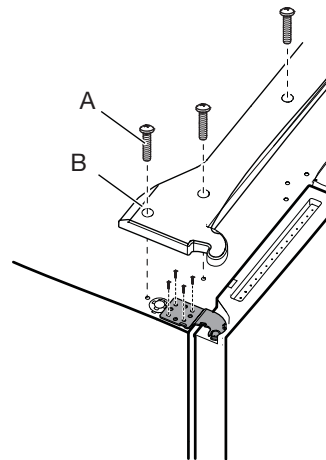
- A. Šroub krytu horního pantu  
B. Kryt horního pantu  
C. 5 mm šrouby  
D. Horní pant

5. Zvedněte dveře chladničky z čepu středního pantu. Horní pant se odpojí spolu s dveřmi.

### Odstranění levých dveří

**DŮLEŽITÉ:** Elektroinstalace pro uživatelské rozhraní prochází pantem levých dveří, a proto je třeba ji před odstraněním dveří odpojit.

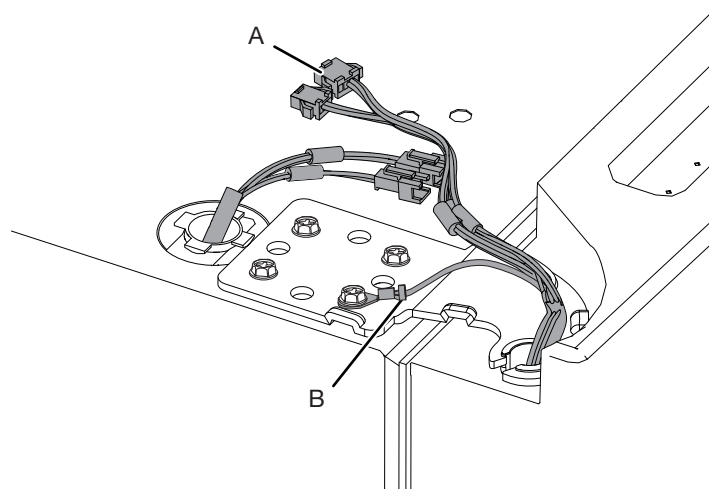
1. Pomocí křížového šroubováku odstraňte kryt z horního pantu.



- A. Šroub krytu horního pantu  
B. Kryt horního pantu

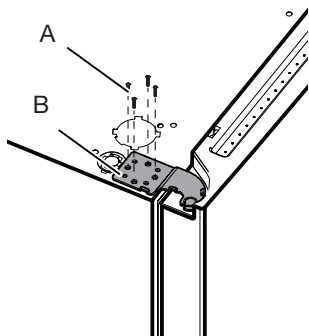
2. Odpojte dvě zástrčky elektroinstalace umístěné na horní straně pantu dveří.

- Uchopte každou stranu zástrček elektroinstalace. Pomocí levého palce zatlačte dolů a uvolněte západku a vytáhněte zástrčky ven.



- A. Elektrická zástrčka  
B. Uzemňovací konektor

3. Pomocí 5mm nástrčného klíče odstraňte čtyři vnitřní šrouby z horního pantu a odložte je stranou.



A. 5 mm šrouby  
B. Horní pant

**POZNÁMKA:** Zajistěte dodatečnou podporu dveří chladničky při odstraňování pantů. Nespoléhejte se na magnety těsnění dveří při udržení dveří na místě během práce.

4. Zvedněte dveře chladničky z čepu spodního pantu. Horní pant se odpojí spolu s dveřmi.

**POZNÁMKA:** Pro přesunutí chladničky přes dveře nemusí být nutné demontovat spodní panty a sestavy brzdných nožiček.

- Pouze v případě potřeby použijte 6mm nástrčný klíč a křížový šroubovák č. 2 pro odstranění středního pantu.

#### Nasazení pravých dveří chladničky

1. Nasadte pravé dveře na čep středního pantu.
2. Vložte čep horního pantu do otevřeného otvoru v horní části dveří chladničky.
3. Pomocí čtyř 5mm šroubů upevněte pant na skříň. Neutahujte šrouby zcela.

#### Nasazení levých dveří chladničky

1. Nasadte levé dveře na čep středního pantu.
2. Pomocí čtyř 5mm šroubů upevněte pant na skříň. Neutahujte šrouby zcela.
3. Zapojte elektrické vedení.
  - Společně zapojte dvě části zástrčky elektroinstalace.
  - Znovu připojte uzemňovací vodič ke šroubu pantu.

#### Závěrečné kroky

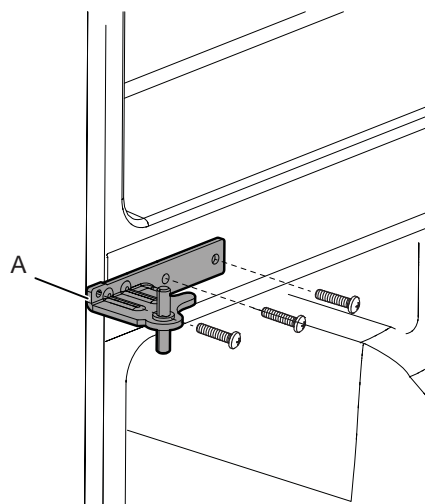
1. Zcela utáhněte osm 5mm šroubů.
2. Nasadte kryty horních pantů.

## Odstranění a nasazení dveří mrazničky/ Flexi Freeze

1. Nechejte dveře mrazničky zavřené, dokud nebudete připraveni je vyjmout ze skříně.

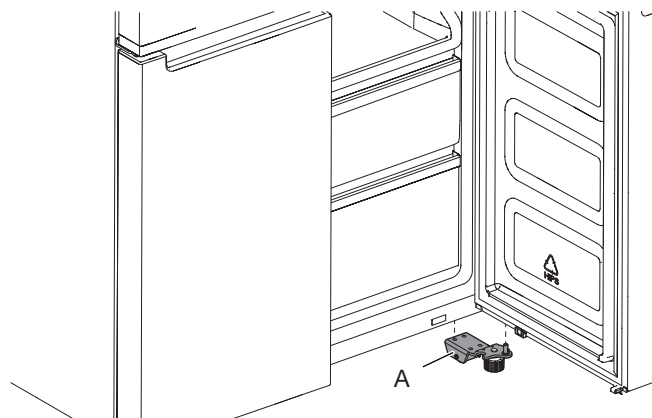
**POZNÁMKA:** Zajistěte dodatečnou podporu dveří mrazničky při odstraňování pantů. Nespoléhejte se na magnety těsnění dveří při udržení dveří na místě během práce.

- Pomocí křížového šroubováku č. 2 a 6mm nástrčného klíče odstraňte střední pant ze skříně.



A. Středový pant

- Zvedněte dveře mrazničky z čepu spodního pantu.



A. Spodní pant

## **⚠ VAROVÁNÍ**



### **Nebezpečí úrazu elektrickým proudem**

**Zapojte do uzemněné zásuvky.**

**Neodstraňujte uzemňovací kontakt.**

**Nepoužívejte adaptér (rozdvojku).**

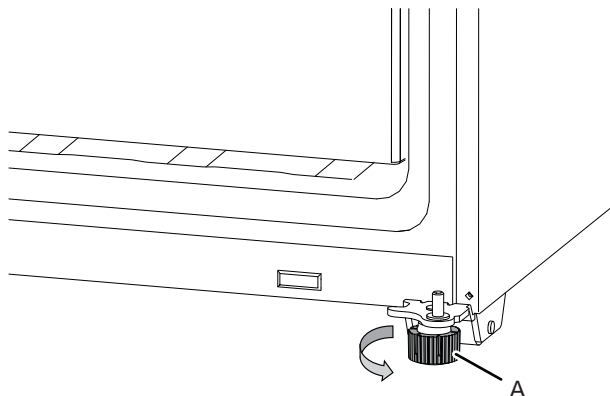
**Nepoužívejte prodlužovací kabel.**

**Nedodržení těchto pokynů může mít za následek smrt, požár nebo úraz elektrickým proudem.**

1. Zapojte spotřebič do uzemněné zásuvky.
2. Vraťte všechny odnímatelné části a potraviny do zásuvek.

## **Vyrovňávání chladničky**

1. Přesuňte chladničku na konečné místo.
2. Rukou otáčejte brzdnými nožkami. Otáčejte jimi proti směru hodin, dokud nebudou pojízdné válečky zvednuté z podlahy a obě brzdné nožky nebudou spočívat na podlaze. Tím se zabrání pohybování chladničky při otevření dveří.



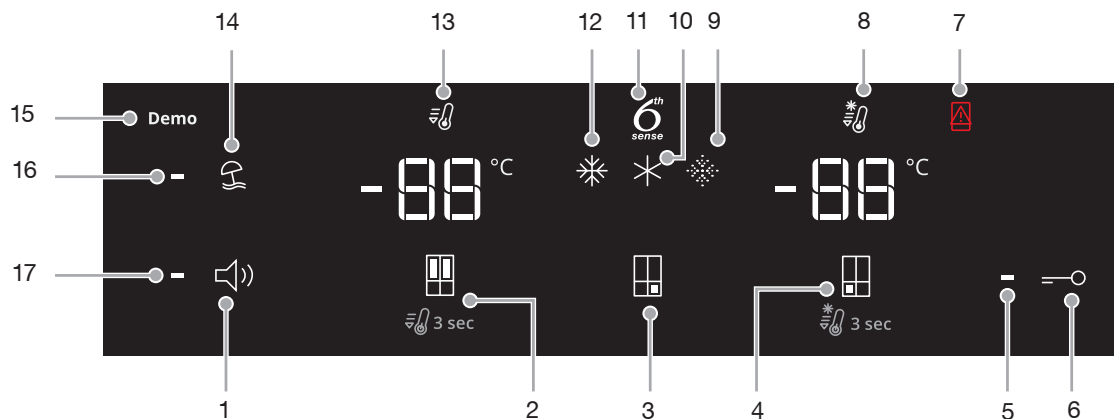
A. Brzdné nožky

**DŮLEŽITÉ:** Pokud potřebujete provést další úpravy týkající se brzdných nožek, musíte obě brzdné nožky otočit o stejný počet otáček, aby byla chladnička vyrovnaná.

3. Použijte vodováhu, abyste se ujistili, že je chladnička je v pravo-levém i předo-zadním směru.

## Používání ovládacích prvků

Dotyková ovládací prvky se nacházejí na levých dveřích chladničky. Ovládací panel obsahuje informace o různých tlačítkách a indikátorech. Indikátory teploty chladničky a mrazničky ukazují poslední nastavené teploty.



1. Tlačítko zapnutí/vypnutí zvuku
2. Tlačítko teploty chladničky (podržte 3 sekundy pro rychlé chlazení)
3. Tlačítko předvolby teploty Flexi Freeze (pouze u WQ9 B1L, 6WM591NIHAS a WQ70900SXX)
4. Tlačítko teploty mrazničky (podržte 3 sekundy pro rychlé zmrazení)
5. Indikátor zámku kláves
6. Tlačítko zámku kláves
7. Indikátor otevření dveří
8. Indikátor rychlého zmrazení
9. Indikátor mírného zmrazení (pouze u WQ9 B1L, 6WM591NIHAS a WQ70900SXX)
10. Indikátor tradičního zmrazení (pouze u WQ9 B1L, 6WM591NIHAS a WQ70900SXX)
11. Indikátor funkce 6. smysl
12. Indikátor tvrdého zmrazení (pouze u WQ9 B1L, 6WM591NIHAS a WQ70900SXX)
13. Indikátor rychlého chlazení
14. Tlačítko režimu „Dovolená“
15. Indikátor demo režimu (pouze u WQ9 B1L, 6WM591NIHAS a WQ70900SXX)
16. Indikátor režimu „Dovolená“
17. Zvukový indikátor

Ovládací panel se po jedné minutě nečinnosti automaticky vypne. Chcete-li zapnout ovládací panel, stiskněte libovolné tlačítko.

### - Zobrazení a úprava nastavené teploty

#### Nastavení teploty chladničky a mrazničky:

Pro vaše pohodlí jsou ovládací prvky chladničky a mrazničky přednastaveny z výroby.

Při první instalaci chladničky se ujistěte, že ovládací prvky jsou stále nastaveny na doporučené hodnoty. Doporučené požadované hodnoty jsou 3 °C pro chladničku a -18 °C pro mrazničku.

Stisknutím tlačítka teploty chladničky nebo mrazničky se přepíná požadovaná teplota ve stupních Celsia (°C)

#### DŮLEŽITÉ:

- Počkejte 24 hodin, než do chladničky vložíte potraviny. Pokud vložíte potraviny dříve, než se chladnička úplně ochladí, vaše jídlo se může zkazit.  
**POZNÁMKA:** Úpravou nastavených teplot na chladnější než doporučené hodnoty se oddily neochladí rychleji.
- Pokud je teplota v chladničce nebo v mrazničce příliš vysoká nebo příliš nízká, před úpravou pomocí ovládacích prvků nejprve zkontrolujte všechny ventilační otvory, zda nejsou zablokované.
- Doporučená nastavení by měla být správná pro běžné použití v domácnosti. Ovládací prvky jsou nastaveny správně, když jsou mléko nebo džus tak chladné, jak chcete, a když je zmrzlina pevná.  
**POZNÁMKA:** Oblasti, jako je garáž, suterén nebo veranda, mohou mít vyšší vlhkost nebo extrémní teploty. Budete možná muset nastavit teplotu mimo doporučená nastavení, abyste těmto podmínkám vyhověli.
- Mezi jednotlivými úpravami počkejte alespoň 24 hodin. Před provedením dalších úprav znovu zkontrolujte teplotu.

### Funkce 6<sup>th</sup> Sense Fresh Lock a Freeze Control

Snímač funkce 6<sup>th</sup> SENSE Fresh Lock zajišťuje přesné a konzistentní řízení teploty pro zachování čerstvosti potravin déle a nejpřirozenější cestou. Jakmile je detekována změna teploty, snímač aktivuje kompresor, který rychle obnoví původní teplotu.

Snímač funkce 6<sup>th</sup> SENSE Freeze minimalizuje kolísání teploty v mrazničce díky inovativnímu systému regulace teploty. Kolísání teploty mrazničky se sníží za účelem zachování kvality a barvy potravin.

### Nastavení Flexi Freeze (pouze u WQ9 B1L, 6WM591NIHAS a WQ70900SXX)

Funkce Flexi Freeze umožňuje přepínat přednastavenou teplotu pro oddíl Flexi Freeze.

Symbol	Funkce	Teplota
	Tradiční mraznička	-18 °C)
	Mírná mraznička	-12 °C)
	Jemná mraznička	-7 °C)

\* Chcete-li aktivovat / deaktivovat nejchladnější nastavení (-20 °C), stiskněte tlačítko předvolby teploty Flexi Freeze na dobu 3 sekund.

### Úprava nastavení více teplot



- Tradiční mraznička (-18 °C): potraviny již zmrazené a čerstvé potraviny (max. 12 měsíců)
- Mírná mraznička (-12 °C): potraviny již zmrazené (max. 1 měsíc)
- Jemná mraznička (-7 °C): potraviny již zmrazené (max. 1 týden)

Při nastavování požadovaných hodnot teploty použijte následující tabulku jako vodítko:

STAV	NASTAVENÍ TEPLoty
Chladnička je příliš chladná	Nastavení chladničky o 1° vyšší
Chladnička je příliš teplá	Nastavení chladničky o 1° nižší
Mraznička je příliš chladná	Nastavení mrazničky o 1° vyšší
Mraznička příliš teplá / příliš málo ledu	Nastavení mrazničky o 1° nižší



### Rychlé chlazení

Funkce Rychlé chlazení pomáhá v obdobích zvýšeného používání chladničky, při plném naplnění potravinami nebo při dočasně teplejších pokojových teplotách.

- Chcete-li zapnout funkci Rychlé chlazení, stiskněte a podržte tlačítko Teplota chladničky  po dobu 3 sekund. Když je funkce aktivována, rozsvítí se ikona rychlého chlazení. Funkce Rychlé chlazení zůstane zapnutá po dobu 2 hodin, pokud není ručně vypnuta.
- Chcete-li ručně vypnout funkci Rychlé chlazení, stiskněte a podržte tlačítko Teplota chladničky  po dobu 3 sekund. Ikona rychlého ochlazení zhasne, když není funkce aktivována.
- Nastavení teploty chladničky automaticky vypne funkci Rychlé chlazení.

### Rychle zmrazení

Množství čerstvých potravin (v kg), které lze zmrazit za 24 hodin, je uvedeno na typovém štítku spotřebiče.

- Stiskněte tlačítko Teplota mrazničky  po dobu 3 sekund (dokud se nerozsvítí kontrolka rychlého zmrazení), a to 24 hodin před vložením čerstvých potravin do mrazničky. Po vložení čerstvých potravin do mrazničky obecně postačuje 24 hodin při rychlém zmrazení; po 50 hodinách se funkce rychlého zmrazení automaticky deaktivuje.
- Chcete-li ručně vypnout funkci Rychlé zmrazení, stiskněte a podržte tlačítko Teplota mrazničky  po dobu 3 sekund. Ikona rychlého zmrazení zhasne.
- Nastavení teploty mrazničky automaticky vypne funkci Rychlé zmrazení.

### Režim „Dovolená“

Tento režim je navržen tak, aby se zabránilo tomu, že váš spotřebič bude plýtvat energií v období, kdy není pravidelně používán (například během dovolené).

Zvolením této funkce bude teplota oddílu chladničky automaticky nastavena na nejteplejší požadovanou hodnotu.

- Chcete-li použít režim „Dovolená“, stiskněte tlačítko režimu, dokud se na displeji nerozsvítí kontrolka režimu „Dovolená“.
- Pro ukončení režimu „Dovolená“ stiskněte tlačítko režimu, dokud ikona režimu na displeji nezhasne.
- Nastavení teploty chladničky automaticky vypne funkci režimu „Dovolená“.

**DŮLEŽITÉ:** Pokud je vybrán tento režim, musí být všechny potraviny a nápoje z chladničky vyjmuty.

### Zapnutí-vypnutí zvuku

Stiskněte tlačítko pro aktivaci / deaktivaci zvukové odezvy.

### Zámek tlačítek

- Stiskněte a podržte tlačítko zámku po dobu 3 sekund, čímž dojde k aktivaci funkce zámku.
- Chcete-li zámek deaktivovat, stiskněte a podržte tlačítko zámku po dobu 3 sekund.

Funkce zámku ignoruje veškerou komunikaci s ovládacím panelem, dokud uživatel ovládací panel znovu neodemkne. Tato funkce má zabránit neúmyslné změně nastavení.

### Demo režim (pouze u WQ9 B1L, 6WM591NIHAS a WQ70900SXX)


Tento režim se používá, když je chladnička vystavena v obchodě, nebo pokud chcete vypnout chlazení a deaktivovat všechny ostatní funkce (kromě vnitřního osvětlení).

Demo režim lze použít při delší dovolené. Viz část „Dovolená a údržba při stěhování“, kde naleznete správné kroky při ponechání chladničky v tomto režimu po delší dobu.

- Pokud zapnete režim Demo, na displeji se rozsvítí ikona „Demo“.
- Zadejte nebo ukončete režim Demo stisknutím a podržením tlačítka Zapnutí nebo vypnutí zvuku a současně tlačítka zámku po dobu 3 sekund.

### Další funkce

#### Alarm otevření dveří

- Funkce alarmu otevření dveří spustí alarm a rozblíká ikonu „Otevřených dveří“ , když jsou některé ze čtyř dveří otevřeny po dobu 2 minut nebo více.
- Alarm se opakuje každých 5 minut. Zavřete všechny dveře a alarm vypne.

**POZNÁMKA:** Chcete-li ztlumit zvukový alarm při zachování otevřených dveří, například při čištění uvnitř chladničky, dotkněte se jakéhokoli tlačítka na ovládacím panelu. Zvuk alarmu se dočasně vypne, ale na ovládacím panelu bude stále zobrazena ikona otevřených dveří.

### Osvětlení chladničky

Chladnička má vnitřní světlo, které se rozsvítí při každém otevření dveří.

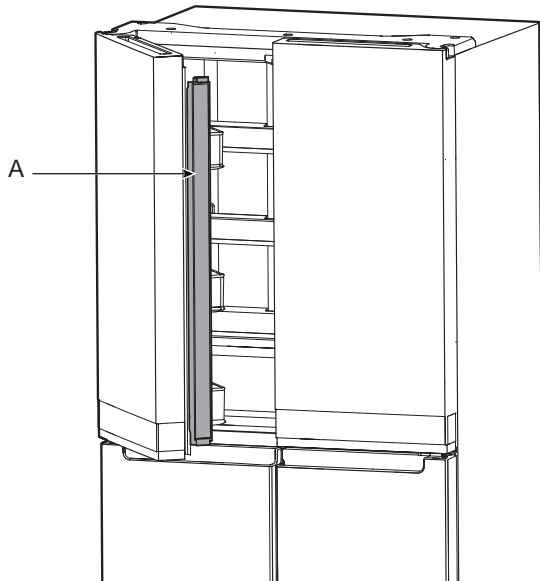
**POZNÁMKA:** Světlo je typu LED a není potřeba jej vyměňovat. Pokud se při otevření dveří LED světlo nerozsvítí, zavolejte servis a nechejte světlo vyměnit.

# POUŽITÍ CHLADNIČKY

## Otevírání a zavírání dveří

K dispozici jsou dvoje dveře chladničky. Dveře lze otevírat a zavírat samostatně nebo společně. Na levých dveřích chladničky je vertikálně zavěšené těsnění.

- Když se otevřou levé dveře, zavěšené těsnění se automaticky sklopí dovnitř, takže nebrání v cestě.
- Když jsou obě dveře zavřené, závěsné těsnění automaticky vytvoří těsnění mezi oběma dveřmi.

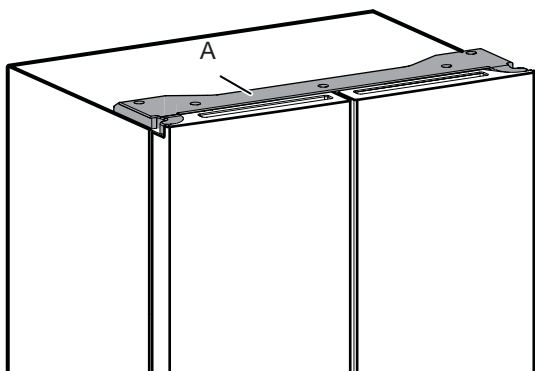


A. Závěsné těsnění

Spínač dveří chladničky je umístěn v krytu horního levého a pravého pantu.

- Pro mrazničku a zónu s více teplotami je spínač dveří umístěn ve spodním sloupku.
- Spínač dveří používá magnet pro snímání otevření / zavření dveří.
- Zajistěte, aby v roztečích 7,62 cm od krytu pantu nebyly žádné magnetické nebo elektronické přístroje (reproduktor, Coolvox® atd.).

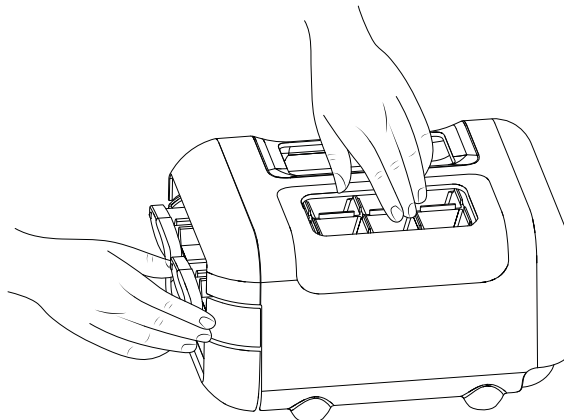
**POZNÁMKA:** Pokud se nezjistí otevření dveří, světlo se nerozsvítí.



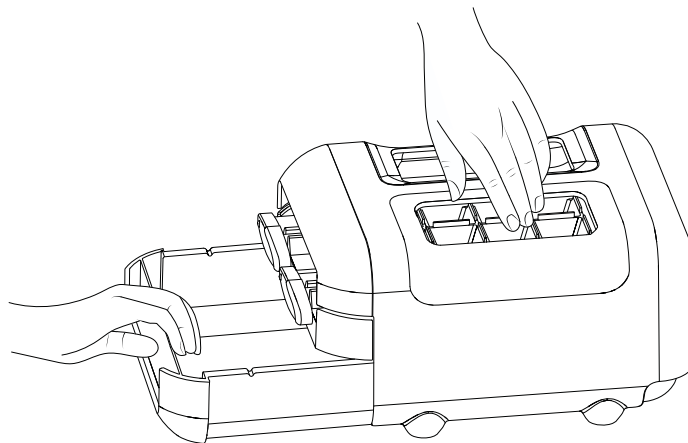
A. Kryt pantu

## Výrobek ledu

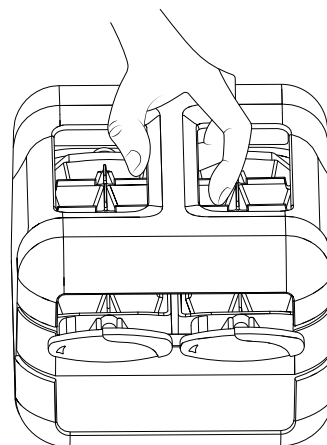
- Chcete-li vyrobit led, naplňte misku na led čistou vodou a vložte výrobek ledu do horní police mrazničky. Nechte vytvořit led a až bude vyroben, otočte knoflíky ve směru hodin, abyste vysunuli kostky ledu do nádoby na led.



- Mírně zvedněte nádobu na led a vytáhněte ji, abyste získali přístup ke kostkám ledu.



Sestava ručního výrobku ledu může být vyjmuta z mrazničky, když nepotřebujete led vyrábět, abyste vytvořili v mrazničce více prostoru.



## Skladování potravin

### Skladování vajec

Doporučuje se skladovat vejce při konzistentní teplotě, aby se zachovala jejich čerstvost, takže je nejlepší uchovávat je v chladničce na prostřední polici.



# POLICE, NÁDOBY A ZÁSUVKY

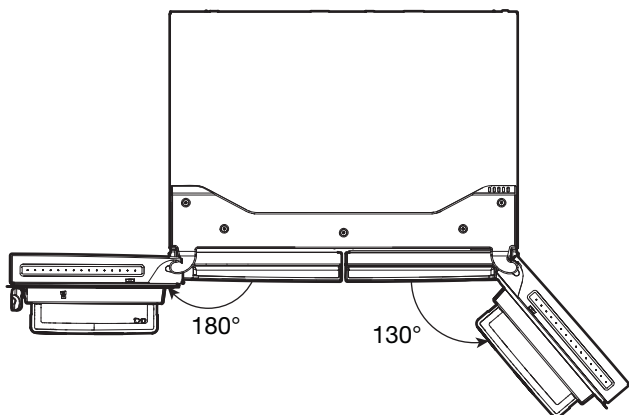
## Důležité informace o skleněných policích a krytech:

Nečistěte skleněné police nebo kryty teplou vodou, když jsou studené. Police a kryty se mohou zlomit, pokud jsou vystaveny náhlým změnám teploty nebo nárazům. Tvrzené sklo je navrženo tak, aby se rozpadlo na mnoho malých kousků. To je normální. Skleněné police a kryty jsou těžké. Při jejich vyjímání použijte obě ruce, aby nedošlo k pádu.

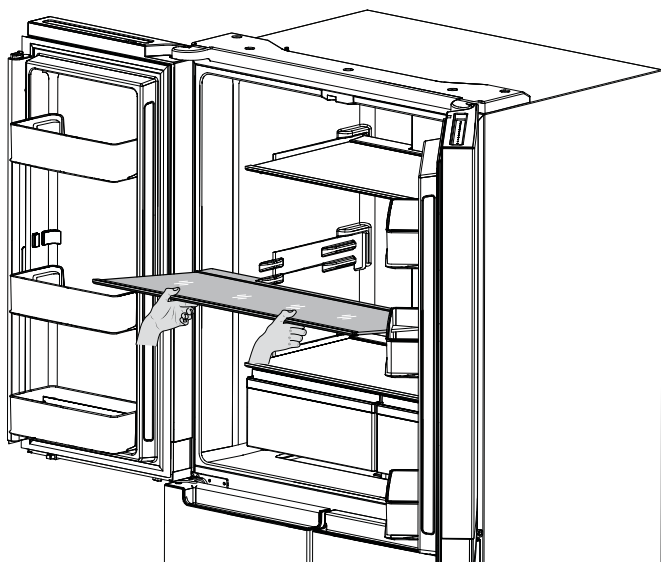
## Nastavení výšky police

Výška police může být nastavena změnou polohy od spodní podpěry k horní podpěře a naopak

- Zcela otevřete pravé boční dveře.
- Zcela otevřete levé boční dveře a poté zvedněte dveře, aby se otevřely na 180°.



- Vyjměte z chladničky polici a umístěte ji do požadované montážní polohy .



- Zajistěte, aby byla police správně usazena na držácích.

## Police a rámy polic

Police ve vaší chladničce jsou nastavitelné tak, aby vyhovovaly vašim individuálním požadavkům na skladování.

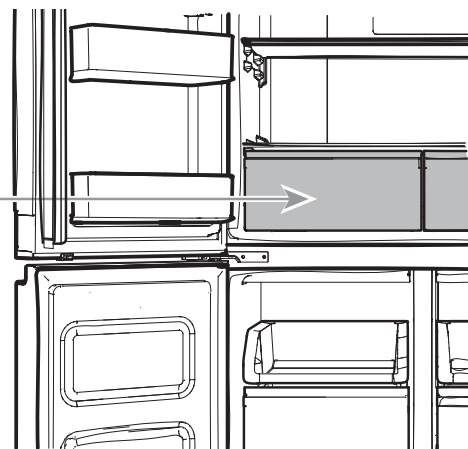
Uložení podobných potravin společně v chladničce a nastavení polic tak, aby vyhovovaly různým výškám potravin, usnadní nalezení přesné potraviny, kterou právě hledáte. Také se tím zkracuje doba, po kterou jsou dveře chladničky otevřené, a šetří se energie.

### Vyjmutí a nasazení polic:

1. Zcela otevřete pravé boční dveře a levé boční dveře a levé dveře zvedněte, aby se otevřely až na 180°.
2. Vyjměte prostřední polici nebo horní polici tak, že je zdvihnete a vysunete z podpěr. Potom vytáhněte polici dopředu a nakloňte ji dolů do svislé polohy. Otočte polici pod úhlem a vysuňte ji z chladničky.
3. Vyjměte dolní polici tak, že ji zdvihnete a vysunete z podpěr. Potom vytáhněte polici dopředu a nakloňte ji nahoru do svislé polohy. Otočte polici pod úhlem a vysuňte ji z chladničky.
4. Nasadte prostřední a horní police položením police do chladničky pod úhlem s přední stranou směřující dolů. Zvedněte přední stranu police nahoru a zasuňte ji, dokud zadní část police nezapadne do podpěr. Snižte přední část police a ujistěte se, že je police správně na místě.
5. Nasadte spodní polici jejím vložení do chladničky pod úhlem s přední stranou směřující vzhůru. Zvedněte přední část police dolů a zasuňte ji, dokud zadní část police nezapadne do podpěr. Snižte přední část police a ujistěte se, že je police správně na místě.

## Příhrádky na ovoce a zeleninu

Příhrádka  
na ovoce  
a zeleninu

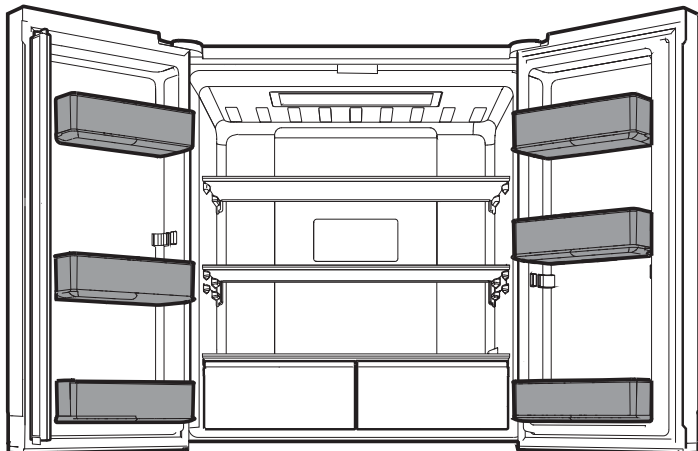


### Vyjmutí a nasazení příhrádek:

1. Uchopte rukojeť příhrádky a vysuňte ji přímo až do zarážky. Zvedněte příhrádku ze spodního vodícího prvku.
2. Nasadte / zasuňte příhrádku tak, že ji umístíte do spodního vodícího prvku a zatlačíte ji přes zarážku až na místo.

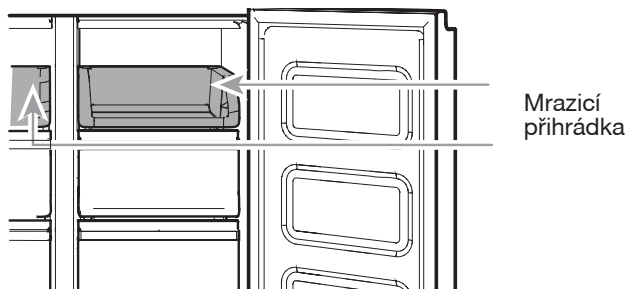
## Příhrádky ve dveřích chladničky

Příhrádka ve dveřích chladničky je nastavitelná tak, aby splňovala vaše individuální požadavky na skladování.



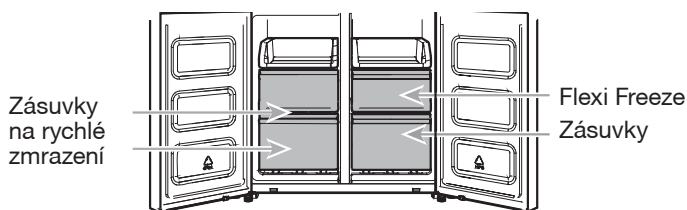
## Úložné prostory mrazničky

### Mrazicí příhrádka



Mrazicí příhrádka je užitečná pro snadný přístup k často používaným produktům, zmrazení nebo jednoduché ukládání zbytků nebo drobných předmětů.

### Zásuvky mrazničky



### Oddíl rychlého zmrazení

- Zásuvky rychlého zmrazení vám umožňují pohodlně ukládat velkoobjemové položky.
- Možnost rychlého zmrazení vám umožňuje bezpečně a transparentně ukládat všechny zmrazené potraviny.

### Oddíl Flexi Freeze (pouze u WQ9 B1L, 6WM591NIHAS a WQ7090SXX)

Oddíl Flexi Freeze vám umožňuje vybrat jednu ze tří úrovní teplot mrazničky: -7 °C, -12 °C a -18 °C, aby se zajistily nejlepší skladovací podmínky pro různé druhy potravin.

Pro získání maximální kapacity mrazničky můžete zásuvku vyjmout, abyste odkryli polici mrazničky.

### Vyjmutí horní zásuvky:

1. Uchopte rukojeť zásuvky a vysuňte zásuvku rovně až na doraz. Zvedněte zásuvku ze spodního vodícího prvku.
2. Vyměňte / zasuňte zásuvku tak, že ji umístíte na spodní vodící prvek a zasunete přes doraz až do správné polohy.

### Police mrazničky (pouze u WQ9 E1L a WQ9 B1L)

Chcete-li maximalizovat kapacitu mrazáku, můžete vyjmout prostřední zásuvku, abyste odkryli police mrazničky pod zásuvkami. Pak můžete horní zásuvku uložit stranou a ukládat potraviny přímo na polici.

## Zvukové signály

### Přiřazení tónů

Název tónu	Příklady použití
Zapnutí	Chladicí systém se zapne při každém zapnutí přístroje.
Stisknutí tlačítka	Uživatel stiskne platné tlačítko.
Neplatné (chyba)	Uživatel stiskne současně dvě nebo více platných tlačítek. Přerušeni odpočtu u tlačítek stisknutí a přidržení.
Aktivace	Potvrzení vstupu do libovolného režimu.
Deaktivace	Potvrzení ukončení libovolného režimu.
Upozornění	Alarm otevření dveří.

Tato tabulka slouží pouze jako rychlý přehled. Podrobné informace naleznete v odpovídajících částech. V případě nesrovnalosti budou mít přednost informace v dané části.

## Příslušenství

Chcete-li si objednat příslušenství, obraťte se na prodejce, od kterého jste koupili chladničku .

## Asistence nebo servis

Než zavoláte servis či asistenční službu, přečtěte si část „Odstraňování závad“. Může vám ušetřit náklady na servisní volání. Pokud potřebujete pomoc, postupujte podle níže uvedených pokynů.

### Pokud potřebujete náhradní díly

Chcete-li ve vaší oblasti vyhledat náhradní díly, které byly stanoveny výrobcem, kontaktujte prodejce, od něhož jste si chladničku zakoupili.

### Záruka

Ohledně informací o záruce se obraťte na prodejce, u něhož jste chladničku zakoupili.

### Uchovávejte tuto knihu a prodejní doklad společně pro budoucí použití. Pro uplatnění záručního servisu musíte předložit doklad o koupi nebo datu instalace.

Zapište si následující informace o vašem spotřebiči, které vám pomohou získat pomoc nebo servis, pokud je někdy budete potřebovat. Budete potřebovat znát celé číslo modelu a sériové číslo. Tyto informace najdete na štítku modelu a sériového čísla umístěném na vnitřní stěně oddílu chladničky.

Jméno prodejce \_\_\_\_\_

Sériové číslo \_\_\_\_\_

Adresa \_\_\_\_\_

Telefonní číslo \_\_\_\_\_

Modelové číslo \_\_\_\_\_

Datum nákupu \_\_\_\_\_

# ÚDRŽBA CHLADNIČKY

## Čištění

### VAROVÁNÍ



#### Nebezpečí výbuchu

Používejte nehořlavý čistič.

V opačném případě může dojít k úmrtí, výbuchu nebo požáru.

Všechny části chladničky, mrazničky a Flexi Freeze (pouze u modelů WQ9 B1L, 6WM591NIHAS a WQ70900SXX) se odmrazují automaticky. Čistěte však všechny části asi jednou za měsíc, abyste zabránili vytváření pachů. Okamžitě utřete rozlité kapaliny.

#### Čištění vnějšího povrchu

Viz informace o čištění vnějšího povrchu specifické pro váš model.

#### Styl 1 - Hladké dveře

**DŮLEŽITÉ:** Na poškození hladké povrchové úpravy způsobené nesprávným použitím čisticích prostředků nebo použitím nedoporučených čisticích prostředků se nevztahuje záruka. Ostré nebo tupé nástroje poškodí povrch.

POUŽÍVAT	NEPOUŽÍVAT
✓ Měkká, čistá tkanina	<ul style="list-style-type: none"> <li>✗ Brusné tkaniny</li> <li>✗ Papírové ručníky nebo novinový papír</li> <li>✗ Drátěnky</li> </ul>
✓ Teplá, mýdlová voda s jemným čisticím prostředkem	<ul style="list-style-type: none"> <li>✗ Abrasivní prášky nebo kapaliny</li> <li>✗ Okenní spreje</li> <li>✗ Amoniak</li> <li>✗ Čisticí prostředky na bázi kyseliny nebo octa</li> <li>✗ Čističe na pečicí trouby</li> <li>✗ Hořlavé kapaliny</li> </ul>

**POZNÁMKA:** Papírové ručníky poškrábou lakovaný povrch a způsobí jeho matný vzhled. Abyste předešli možnému poškození, používejte pouze měkké, čisté látky k leštění a otírání dveří.

#### Styl 2 - Nerezová ocel

##### DŮLEŽITÉ:

- Používejte pouze doporučené čisticí prostředky a utěrky na nerezovou ocel. Na poškození povrchu z nerezové oceli způsobené nesprávným použitím čisticích prostředků nebo použitím nedoporučených čisticích prostředků se nevztahuje záruka.
- Vyvarujte se vystavení nerezových spotřebičů žíravým nebo korozivním prostředím, jako je prostředí s vysokým obsahem soli nebo vysokou vlhkostí. Poškození způsobené vystavením těmto prostředím není kryto zárukou.

POUŽÍVAT	NEPOUŽÍVAT
✓ Měkká, čistá tkanina	<ul style="list-style-type: none"> <li>✗ Brusné tkaniny</li> <li>✗ Papírové ručníky nebo novinový papír</li> <li>✗ Drátěnky</li> </ul>
✓ Teplá, mýdlová voda s jemným čisticím prostředkem	<ul style="list-style-type: none"> <li>✗ Abrasivní prášky nebo kapaliny</li> <li>✗ Amoniak</li> <li>✗ Citrusové čisticí prostředky</li> <li>✗ Čisticí prostředky na bázi kyseliny nebo octa</li> <li>✗ Čističe na pečicí trouby</li> </ul>
✓ U těžkého znečištění používejte pouze čisticí prostředek určený na spotřebiče z nerezové oceli. Chcete-li objednat čisticí prostředek, obraťte se na prodejce, u něhož jste si chladničku zakoupili.	<ul style="list-style-type: none"> <li>✗ Čisticí prostředek na nerezovou ocel je určen pouze pro díly z nerezové oceli. Nedovolte, aby se čisticí prostředek na nerezovou ocel a leštadlo dostaly do kontaktu s plastovými součástmi, jako jsou obložení, kryty dávkovače nebo těsnění dveří.</li> </ul>

#### Styl 3 - Odolný vůči otiskům prstů

##### DŮLEŽITÉ UPOZORNĚNÍ:

- Vyvarujte se vystavení nerezových spotřebičů žíravým nebo korozivním prostředím, jako je prostředí s vysokým obsahem soli nebo vysokou vlhkostí. Poškození způsobené vystavením těmto prostředím není kryto zárukou.

POUŽÍVAT	NEPOUŽÍVAT
✓ Měkká, čistá tkanina	<ul style="list-style-type: none"> <li>✗ Brusné tkaniny</li> <li>✗ Papírové ručníky nebo novinový papír</li> <li>✗ Drátěnky</li> </ul>
✓ Teplá, mýdlová voda s jemným čisticím prostředkem	<ul style="list-style-type: none"> <li>✗ Abrasivní prášky nebo kapaliny</li> <li>✗ Okenní spreje</li> <li>✗ Amoniak</li> <li>✗ Čisticí prostředky na bázi kyseliny nebo octa</li> <li>✗ Čističe na pečicí trouby</li> <li>✗ Hořlavé kapaliny</li> </ul>

##### POZNÁMKY:

- Pokud dojde k neúmyslnému kontaktu, vyčistěte plastovou část houbou a jemným čisticím prostředkem rozpuštěným v teplé vodě. Osušte pečlivě měkkým hadříkem.
- Jen proto, že je čisticí prostředek kapalný, neznamená to, že je neabrasivní. Mnoho kapalných čisticích prostředků, které mají takové složení, aby byly jemné na dlaždicích a hladkých površích, poškozuje nerezovou ocel.
- Kyselina citronová trvale zbarvuje nerezovou ocel.
- Aby nedošlo k poškození povrchu chladničky z nerezové oceli:

##### Nedovolte, aby tyto látky zůstaly na povrchu:

- ✗ Hořčice
- ✗ Omáčky na bázi citrusů
- ✗ Rajčatová šťáva
- ✗ Výrobky na bázi citrusů
- ✗ Marinády

---

## Čištění interiéru

---

1. Odpojte chladničku nebo odpojte napájení.
2. Důkladně ručně umyjte, opláchněte a osušte vyjímatelné části a vnitřní plochy. Používejte čistou houbu nebo měkký hadřík a jemný čisticí prostředek rozpuštěný v teplé vodě.  
**POZNÁMKA:** Nepoužívejte na plastové součásti, vnitřní povrchy a vložky dveří nebo těsnění abrazivní či drsné čisticí prostředky, jako jsou spreje na okna, čisticí písek, hořlavé kapaliny, čisticí vosky, koncentrované čisticí prostředky, bělicí prostředky nebo čisticí prostředky obsahující ropné produkty.
3. Připojte chladničku do sítě nebo zapojte napájení.

---

## Čištění kondenzátoru

---

Tato chladnička má kondenzátor na obou stranách chladničky. Je normální cítit na obou stranách chladničky teplo.

---

## Světla

Světla v chladničce a mrazničce jsou světla typu LED, která se nemusí vyměňovat. Pokud se při otevření dveří světlo nerozsvítí, obraťte se na prodejce, od kterého jste si chladničku zakoupili.

---

## Dovolená a údržba při stěhování

---

### Dovolená

**Pokud se rozhodnete nechat chladničku zapnutou, když jste pryč:**

1. Spotřebujte veškeré potraviny, které se mohou zkazit, a ostatní zmrazte.
2. Pokud je vaše chladnička vybavena automatickým výrobníkem ledu a je připojena k přívodu vody, vypněte přívod vody do chladničky. Pokud není přívod vody vypnutý, může dojít k poškození majetku.
3. Pokud máte automatický výrobek ledu, vypněte jej.
  - Přepněte vypínač výrobku ledu do polohy Vypnuto (O).
4. Vyprázdněte nádobu na led.

**Pokud se rozhodnete vypnout chladničku před odjezdem:**

**POZNÁMKA:** Uved'te chladničku do režimu Demo během dovolené. Viz část „Použití ovládacích prvků“.

1. Vyjměte z chladničky veškeré potraviny.
2. Pokud má vaše chladnička automatický výrobek ledu:
  - Vypněte přívod vody do výrobku ledu nejméně 1 den předem.
  - Po vypnutí posledního ledu stiskněte vypínač do polohy Vypnuto (O), aby displej v horní části chladničky zhasl, a to v závislosti na modelu.
3. Vyprázdněte nádobu na led.
4. Vypněte ovládací prvky teploty. Viz část „Použití ovládacích prvků“.
5. Vyčistěte chladničku, utřete ji a dobře osušte.
6. Přilepte pryžové nebo dřevěné hranoly na obě dveře, aby zůstaly dostatečně otevřené, aby se vzduch mohl dostat dovnitř. Tím se zastaví šíření pachů a plísní.

---

## Stěhování

---

Když stěhujete chladničku do nového domova, připravte ji k přesunu následujícím postupem.

1. Pokud má vaše chladnička automatický výrobek ledu:
  - Vypněte přívod vody do výrobku ledu nejméně 1 den předem.
  - Odpojte přívod vody od zadní části chladničky.
  - Po vypnutí posledního ledu stiskněte vypínač na výrobku ledu nebo ovladači do polohy Vypnuto (O), a to v závislosti na modelu.
2. Vyjměte z chladničky všechny potraviny a všechny zmrazené potraviny pokryjte suchým ledem.
3. Vyprázdněte nádobu na led.
4. Odpojte chladničku.
5. Vyčistěte ji, otřete a důkladně osušte.
6. Vyjměte všechny vyjímatelné součásti, dobře je zabalte a přilepte k sobě tak, aby se během pohybu nepohybovaly a nedrncely.
7. V závislosti na modelu zvedněte přední část chladničky tak, aby se snadněji pohybovala nebo zvedněte vyrovnávací šrouby tak, aby nedošlo k poškrábání podlahy. Viz část „Nastavení dveří“ nebo „Vyrovnání chladničky a zavírání dveří“.
8. Zavřené dveře zalepte a napájecí kabel přilepte k zadní straně chladničky.

Když přijedete do svého nového domova, dejte vše zpět a přečtěte si část „Instalační pokyny“ ohledně přípravy k instalaci. Pokud má vaše chladnička automatický výrobek ledu, nezapomeňte znovu připojit přívod vody k chladničce.

# ODSTRAŇOVÁNÍ ZÁVAD

Nejprve zde vyzkoušejte navrhovaná řešení, abyste se případně vyhnuli servisnímu hovoru.

**⚠ VAROVÁNÍ**



**Nebezpečí úrazu elektrickým proudem**

**Zapojte do uzemněné zásuvky.**

**Neodstraňujte uzemňovací kontakt.**

**Nepoužívejte adaptér (rozdvojku).**

**Nepoužívejte prodlužovací kabel.**

**Nedodržení těchto pokynů může mít za následek smrt, požár nebo úraz elektrickým proudem.**

Pokud se stane	Možné příčiny	Řešení
<b>Provoz chladničky</b>		
Chladnička nefunguje.	Zkontrolujte elektrické napájení.	Zapojte napájecí kabel do uzemněné zásuvky. Nepoužívejte prodlužovací kabel. Ujistěte se, že do zásuvky je přiváděna elektrická energie. Zapojte do zásuvky svítilnu, abyste zjistili, zda je zásuvka funkční. Resetujte sepnutý jistič. Vyměňte všechny vyhořelé pojistky. <b>POZNÁMKA:</b> Pokud problémy přetrvávají, obraťte se na elektrikáře.
	Zkontrolujte ovládací prvky.	Zkontrolujte, zda jsou ovládací prvky zapnuté. Viz část „Použití ovládacích prvků“.
	Nová instalace.	Po instalaci nechte chladničku zcela ochladit po dobu 24 hodin. <b>POZNÁMKA:</b> Nastavení ovladačů teploty na nejchladnější nastavení nebude rychleji ochlazovat ani jeden z oddílů.
	Ovládání chladničky je v režimu Demo (u některých modelů).	Pokud je chladnička v režimu Demo, chlazení se vypne a na ovládacím panelu se rozsvítí „Demo“. Další informace naleznete v části „Použití ovládacích prvků“.
Zdá se, že motor běží příliš rychle.	Vysoce účinný kompresor a ventilátory.	Větší a účinnější chladničky běží delší dobu v nižších a energeticky účinnějších rychlostech.
	Pokojevá nebo venkovní teplota je vysoká.	Při těchto podmínkách je normální, že chladnička bude pracovat déle. Pro dosažení optimálního výkonu umístěte chladničku do vnitřního prostředí s regulovanou teplotou. Viz část „Požadavky na umístění“.
	Nedávno jste do chladničky vložili velké množství teplého jídla.	Teplé potraviny způsobí, že chladnička bude trvat déle, dokud se vzduch nezchladí na požadovanou teplotu.
	Dveře se otevírají příliš často nebo jsou otevřené příliš dlouho.	Teplý vzduch, který vstupuje do chladničky, způsobuje, že se motor více spouští. Otvírejte dveře méně často.
	Dveře chladničky nebo zásuvka mrazničky jsou otevřené.	Ujistěte se, že je chladnička vyrovnaná. Viz část „Vyrovnaní chladničky a zavírání dveří“. Zabraňte tomu, aby potraviny a nádoby blokovaly dveře.
	Ovladač chladničky je nastaven na příliš chladnou teplotu.	Upravte nastavení chladničky na méně chladné nastavení, dokud nebude teplota chladničky podle vašich požadavků.
	Těsnění dveří nebo zásuvky je špinavé, opotřebené nebo prasklé.	Vyčistěte nebo vyměňte těsnění. Netěsnost dveří způsobí, že chladnička bude delší dobu trvat, aby byla udržena požadovaná teplota.

# ODSTRAŇOVÁNÍ ZÁVAD

Nejprve zde vyzkoušejte navrhovaná řešení, abyste se případně vyhnuli servisnímu hovoru.

Pokud se stane	Možné příčiny	Řešení
Světla nefungují.	Vaše chladnička je vybavena osvětlením typu LED, které není třeba vyměňovat.	Pokud je chladnička napájena a světla nesvítí při otevření dveří nebo zásuvky, zavolejte servis nebo pomoc.
	Dveře byly otevřeny déle než 10 minut.	Zavřete dveře a zásuvku a znovu je otevřete, čímž činnost světla aktivujete.
	Spínač dveří nezaznamenává otevření dveří.	Ujistěte se, že ve vzdálenosti 7,62 cm (3") od krytu pantu nejsou žádné magnety nebo elektronická zařízení.
Uživatelské rozhraní regulace teploty se nezapne.	Uživatelské rozhraní regulace teploty přešlo do režimu spánku.	Stiskněte libovolné tlačítko na uživatelském rozhraní, abyste probudili uživatelské rozhraní regulace teploty.
	Tlačítka uživatelského rozhraní regulace teploty nefungují správně.	Zkuste cyklus zapnutí chladničky, aby se tlačítka resetovala. Pokud problém trvá, vyžádejte si servis nebo pomoc.
	Uživatelské rozhraní regulace teploty není napájeno.	Zkontrolujte kabelový svazek na pantu dveří.
Nelze upravit nastavení na uživatelském rozhraní regulace teploty.	Dveře jsou otevřené a je aktivován alarm otevření dveří.	Zavřete dveře.
<b>Neobvyklý hluk</b>		
Aby chladnička vydávala normální zvuky, přejděte na stránku <a href="#">Nápověda k produktu / Často kladené dotazy</a> na webových stránkách značky a vyhledejte heslo „normální zvuky“. Níže jsou uvedeny některé normální zvuky s vysvětlením.		
Chladnička se zdá být hlučná.	Kompresor ve vaší nové chladničce reguluje teplotu efektivněji, spotřebovává méně energie a pracuje tiše.	V důsledku tohoto omezení provozního hluku můžete zaznamenat neobvyklé zvuky, které jsou normální.
Zvuk kompresoru běží déle, než se očekává.	Vysoce účinný kompresor a ventilátory.	Větší a účinnější chladničky běží delší dobu v nižších a energeticky účinnějších rychlostech.
Pulzování / vrčení	Ventilátory / kompresor přizpůsobené pro optimalizaci výkonu při běžném provozu kompresoru.	To je normální.
Praskání	Kontrakce / roztahování vnitřních stěn, zejména při počátečním ochlazení.	To je normální.
Syčení / Odkapávání	Průtok chladiva nebo proudění oleje v kompresoru.	To je normální.
Vibrace	Chladnička nemusí být stabilní.	Nastavte vyrovnávací šrouby a snižte vyrovnávací nožku k podlaze. Viz část „Vyrovnání chladničky a zavírání dveří“.
Rachocení / Bouchání	Pohyb přívodů vody u skříně chladničky nebo předmětů umístěných na horní straně skříně chladničky.	Přesuňte přebytečné vedení vody ze skříně chladničky nebo připevněte vedení ke skříni. Viz část „Připojení přívodu vody“ nebo odstraňte předměty z horní části chladničky.
Syčení	Odkapávání vody na ohřívač během cyklu odmrazování.	To je normální.
Tekoucí voda / Bublání	Můžete slyšet, když taje led v průběhu cyklu odmrazování a voda se dostane do odtokové nádoby.	To je normální.

# ODSTRAŇOVÁNÍ ZÁVAD

Nejprve zde vyzkoušejte navrhovaná řešení, abyste se případně vyhnuli servisnímu hovoru.

Pokud se stane	Možné příčiny	Řešení
<b>Teplota a vlhkost</b>		
Teplota je příliš vysoká.	Chladnička byla právě nainstalována.	Po instalaci nechte chladničku zcela ochladit po dobu 24 hodin.
	Ovládací prvky nejsou nastaveny správně pro okolní podmínky.	Nastavte ovládací prvky na chladnější nastavení. Zkontrolujte teplotu během 24 hodin. Viz část „Použití ovládacích prvků“.
	Dveře jsou často otevírány nebo nejsou zcela zavřené. Umožňuje vniknutí teplého vzduchu do chladničky.	Minimalizujte otevírání dveří a dveře zcela uzavřete.
	Nedávno jste vložili do chladničky velké množství potravin.	Několik hodin nechte ledničku vrátit se na normální teplotu.
	Režim Demo je zapnutý.	Vypněte režim Demo. Viz část „Použití ovládacích prvků“.
	Režim „Dovolená“ je zapnutý.	Vypněte režim „Dovolená“. Viz část „Použití ovládacích prvků“.
Teplota je v chladničce / přihrádce na ovoce a zeleninu příliš nízká.	Ventilační otvory chladničky jsou zablokovány.	Pokud je ventilační otvor umístěn ve střední části zadní části oddílu chladničky zablokovan předměty umístěnými přímo před ním, chladnička bude příliš chladná. Odstraňte předměty od ventilačního otvoru.
	Ovládací prvky nejsou nastaveny správně pro okolní podmínky.	Nastavte ovládací prvky na teplejší nastavení. Zkontrolujte teplotu během 24 hodin. Viz část „Použití ovládacích prvků“.
	Nádoba na led se nenachází ve správné poloze.	Podívejte se do části „Výrobek ledu a nádoba na uskladnění ledu“.
Teplota je v zásuvce s regulovanou teplotou příliš nízká.	Ovládací prvek není nastaven správně pro předměty uložené v zásuvce.	Upravte nastavení teploty. Viz část „Použití ovládacích prvků“ v části „Používání chladničky“.
Vzniká vnitřní vlhkost. <b>POZNÁMKA:</b> Určitá vlhkost je normální.	Místnost je vlhká.	Vlhké prostředí přispívá k vytváření vlhkosti.
	Dveře jsou často otevírány nebo nejsou zcela zavřené. To umožňuje vniknutí vlhkého vzduchu do chladničky.	Minimalizujte otevírání dveří a zcela je zavřete.
	Dveře jsou zablokovány v otevřené poloze.	Přesuňte potraviny pryč od dveří.
	V cestě překáží nádoba nebo police.	Zatlačte nádobu nebo polici zpět do správné polohy.
	Skladování kapalin v otevřených nádobách.	Tím se dostává vlhkost do vnitřku chladničky. Uchovávejte všechny nádoby těsně zakryté.
V oddílu mrazničky se vytváří námraza / led.	Dveře se často otevírají nebo zůstávají otevřené.	Minimalizujte otevírání dveří a po použití zásuvku zcela zavřete.
	Dveře mají špatné těsnění.	Zajistěte, aby těsnění dveří dosáhlo úplného kontaktu s chladicí skříní, aby bylo zajištěno adekvátní utěsnění.
	Regulace teploty není nastavena správně.	Viz část „Použití ovládacích prvků“, kde jsou uvedena doporučená nastavení teploty.

# ODSTRAŇOVÁNÍ ZÁVAD

Nejprve zde vyzkoušejte navrhovaná řešení, abyste se případně vyhnuli servisnímu hovoru.

**⚠ VAROVÁNÍ**



**Nebezpečí výbuchu**

**Používejte nehořlavý čistič.**

**V opačném případě může dojít k úmrtí, výbuchu nebo požáru.**

Chcete-li zobrazit animaci, která ukazuje, jak nastavit a vyrovnat dveře, vyhledejte sekci Nápověda k produktu / Často kladené otázky na stránkách značky a vyhledejte heslo „Zavírání dveří a vyrovnání dveří“.

Pokud se stane	Možné příčiny	Řešení
<b>Dveře</b>		
Dveře se zcela nezavírají.	Dveře jsou zablokované v otevřené poloze.	Přesuňte potraviny pryč od dveří.
	V cestě překáží nádoba nebo police.	Zatlačte nádobu nebo polici zpět do správné polohy.
	Nedávno nainstalováno	Odstraňte všechny obalové materiály.
Dveře se těžko otevírají.	Těsnění dveří jsou špinavá nebo lepkavá.	Očistěte těsnění a kontaktní plochy jemným mýdlem a teplou vodou. Opláchněte je a osušte měkkým hadříkem.
Dveře se zdají být nevyrovnané.	Dveře musí být zarovnané nebo musí být vyrovnána chladnička.	Pokud potřebujete zarovnat dveře, zavolejte servis.
Chladnička je nestabilní nebo se naklání dopředu při otevírání a zavírání dveří.	Brzdné nožky chladničky se nedotýkají podlahy.	Obě brzdné nožky (jedna na každé straně) otáčejte proti směru hodin o stejné množství otáček, dokud se nebudou dotýkat podlahy. Viz část „Vyrovnání chladničky a zavírání dveří“.



# Sisukord

<b>KÜLMIKU OHUTUS .....</b>	<b>370</b>
Vana külmiku nõuetekohane utiliseerimine .....	373
<b>OSAD JA OMADUSED.....</b>	<b>374</b>
<b>PAIGALDUSJUHISED .....</b>	<b>375</b>
Alustamine .....	375
Võtke külmik pakendist välja.....	375
Nõuded asukohale.....	376
Elektrinõuded .....	376
Külmikuuste eemaldamine ja paigaldamine.....	378
Sügavkülmiku/Flexi Freeze'i ukse eemaldamine ja paigaldamine.....	380
Külmiku loodimine .....	381
Nuppude kasutamine.....	382
Külmiku valgustus.....	383
<b>KÜLMIKU KASUTAMINE.....</b>	<b>384</b>
Uste avamine ja sulgemine.....	384
Toiduainete säilitamine.....	384
<b>RIIULID, MAHUTID JA SAHTLID .....</b>	<b>385</b>
Sügavkülmiku sektsioonid.....	386
Seadme töömüra .....	386
Tarvikud .....	386
Müügijärgne teenindus .....	386
<b>KÜLMIKU HOOLDAMINE.....</b>	<b>387</b>
Puhastamine .....	387
Tuled.....	388
Puhkus ja kolimine .....	388
<b>VEAOTSING.....</b>	<b>389</b>

# KÜLMIKU OHUTUS

## Teie ja teiste ohutus on väga oluline.

Selles kasutusjuhendis ja seadmel endal on olulised hoiatused, mida tuleb lugeda ja alati järgida.



See on hoiatussümbol.

Sümbol hoiatab teid võimalike ohtude eest, mis võivad põhjustada kehavigastusi nii teile kui teistele või surmaga lõppeva õnnetuse.

Kõigile hoiatustele järgneb hoiatussümbol ja sõna OHT! või HOIATUS!. Nende sõnade tähendus:

**! OHT**

Tähistab ohtlikku olukorda, mis kohese tähelepanuta jätmise korral võib põhjustada surma või raske vigastusega lõppeva õnnetuse.

**! HOIATUS!**

Juhiste eiramine võib põhjustada surma või raske vigastusega lõppeva õnnetuse.

Kõikides hoiatustes kirjeldatakse võimalikke ohte ja kuidas vähendada vigastusohu ning mis võib juhtuda juhiste eiramise korral.

## OHUTUSJUHISED

Enne seadme kasutamist lugege see ohutusjuhend läbi. Hoidke see edaspidiseks alles. Selles juhendis ja seadmel endal on olulised hoiatused, mida tuleb kogu aeg järgida. Tootja ei vastuta selle eest, kui ohutusnõudeid ei järgita, seadet kasutatakse valesti või seadmel valitakse sobimatud sätted.

⚠ Väga väikesed lapsed (0-3 aastat) tuleb hoida seadmest eemal. Väikelapsed (3-8 aastat) tohivad seadme lähedal viibida vaid juhul, kui nendele on tagatud pidev järelevalve. Lapsed alates 8 eluaastast ja isikud, kes on piiratud füüsiliste, sensoorse või vaimsete võimetega või ilma kogemuste või teadmisteta, võivad seadet kasutada ainult juhul, kui nendele on tagatud järelevalve või nendele on antud juhised seadme ohutuks kasutamiseks ja nad mõistavad seadmest tulenevaid ohte. Jälgige, et lapsed seadmega ei mängiks. Lapsed tohivad seadet hooldada ainult juhul, kui nendele on tagatud järelevalve.

### LUBATUD KASUTAMINE

⚠ TÄHELEPANU! Seade ei ole mõeldud kasutamiseks välise lülitusseadmega, nagu taimer, või eraldi kaugjuhtimissüsteemiga.

⚠ See seade on ette nähtud kasutamiseks kodumajapidamistes ja teistes sarnastes kohtades, nagu kaupluste, kontorite ja teiste töökeskkondade personali köögiladel; talumajapidamistes; klientide poolt hotellides, hotellides, kodumajutusasutustes ja teistes sarnastes kohtades.

⚠ See seade ei ole mõeldud professionaalseks kasutuseks. Ärge kasutage seadet välitingimustes.

⚠ Seade on mõeldud kasutamiseks kohtades, kus keskkonna temperatuur on vahemikus, mis vastab andmeplaadile märgitud kliimaklassile (vt allpool). Seade ei pruugi töötada korralikult, kui see jäetakse pikaks ajaks märgitud vahemikust väljapoole jääva temperatuuriga keskkonda.

Kliimaklass Keskkonnatemp. Temp. (°C)

SN: 10-32 °C;

N: 16-32 °C

ST: 16-38 °C;

T: 16-43 °C

⚠ See seade ei sisalda CFC-sid. Külmutusahel sisaldab külmaainet R600a (HC). Isobutaani (R600a) sisaldavad seadmed: isobutaan on maagaas, millel puudub keskkonnamõju, kuid mis on kergestisüttiv. Seetõttu jälgige, et külmaaineahela torud ei oleks kahjustunud, eriti kui hakkate ahelat tühjaks laskma.

⚠ HOIATUS! Ärge kahjustage seadme külmaaineahela torusid.

⚠ HOIATUS! Veenduge, et seadme korpuses ja konstruktsioonis olevad ventilatsioonivad ei ole blokeeritud.

## OLULINE! LUGEGE LÄBI JA JÄRGIGE HOOLIKALT!

⚠ HOIATUS! Kasutage sulatamise kiirendamiseks ainult tootja soovitatud mehaanilisi, elektrilisi või keemilisi vahendeid.

⚠ HOIATUS! Ärge pange seadme sektsioonidesse elektriseadmeid, mis ei ole tootja poolt selgesõnaliselt lubatud tüüpi.

⚠ HOIATUS! Veevarustusega mitteühendatud jäävalmistajaid ja/või veeautomaate võib täita ainult joogiveega.

⚠ HOIATUS! Automaatsed jäävalmistajad ja/või veeautomaadid tohib ühendada ainult joogiveetorustikuga, mille veesurve on vahemikus 0,17-0,81 mPa (1,7-8,1 bar).

⚠ Ärge hoidke seadmes plahvatusohtlikke aineid, äiteks kergestisüttivaid gaase sisaldavaid aerosoolipurke.

⚠ Ärge neelake (mõne mudeliga kaasasolevate) jääpakkide sisu (mittemürgine). Ärge sööge jääkuubikuid või jääpulki kohe pärast nende sügavkülmikust võtmist, sest need võivad põhjustada külmapõletust.

⚠ Toodetel, mille puhul on nähtud ette õhufiltri kasutamine ligipääsetava ventilaatorikatte sees, peab filter asuma külmiku töötamise ajal alati ettenähtud kohal.

⚠ Ärge hoidke sügavkülmikusektsioonis vedelikega klaasnõusid, sest need võivad puruneda. Ärge blokeeri ventilaatorit (kui see on paigaldatud) toiduainetega. Kontrollige pärast toidu külmikusse asetamist, kas sektsioonide ukсед, eriti sügavkülmiku uks, sulguvad korralikult.

⚠ Kahjustatud tihendid tuleb võimalikult kiiresti välja vahetada.

⚠ Kasutage külmikusektsiooni ainult värsket toidu ja sügavkülmikusektsiooni ainult külmutatud toidu hoidmiseks, värsket toidu külmutamiseks ning jääkuubikute tegemiseks.

⚠ Vältige katmata toidu vahetut kontakti külmi-ku- või sügavkülmikusektsiooni sisepindadega. Seadmel võivad olla spetsiaalsed sektsioonid (värsket toidu sektsioon, nullkraadi kast jms). Kui konkreetsetes tootejuhendis ei ole märgitud teisiti, võib sellised sektsioonid eemaldada seadme toimimisenäitajaid mõjutamata.

### PAIGALDAMINE

⚠ Vigastuseohtu vältimiseks peab seadet tõstma ja paigaldama vähemalt kaks inimest. Lahtipakkimisel ja paigaldamisel kandke kindaid, et vältida sisselõikamisohtu.

⚠ Paigaldustööd, sealhulgas veeühenduse (vajaduse korral) ja elektriühenduse ning parandustööd peab tegema väljaõppinud tehnik. Ärge parandage ega asendage mõnda seadme osa, kui seda kasutusjuhendis otseselt ei soovitata. Hoidke lapsed paigalduskohast eemal.

Veenduge pärast seadme lahtipakkimist, et see ei oleks transportimisel kahjustunud. Probleemide korral võtke ühendust edasimüüja või lähima teenindusega. Kui paigaldus on lõpetatud, tuleb pakkematerjali (kile, vahtplast jms) hoida laste käeulatuses eemal, et vältida lämbumisohu. Enne paigaldamist tuleb seade vooluvõrgust lahti ühendada, et vältida elektrilöögiohtu. Jälgige paigaldamise ajal, et seade ei kahjustaks toitekaablit, kuna vastasel juhul võib tekkida tule- või elektrilöögioht. Käivitage seade alles siis, kui paigaldamine on lõpetatud.

⚠ Olge ettevaatlik, et vältida põrandakattematerjali (nt parketti) kahjustamist. Paigaldage seade selle kaalu arvestades piisavalt tugevale põrandale ning seadme suurusele ja kasutusele vastavasse kohta. Paigaldamisel tuleb veenduda, et seade ei ole soojusallika lähedal ja et selle kõik neli jalga toetuvad kindlalt põrandale. Vajaduse korral reguleerige jalgu ja kontrollige vesiloodiga, kas seade on rõhtloodis. Enne seadme sisselülitamist oodake vähemalt kaks tundi veendumaks, et külmaai-nehel on töövalmis.

⚠ Piisava ventilatsiooni tagamiseks jätke seadme mõlemale küljele ja selle kohale piisavalt vaba ruumi. Seadme tagakülje ja seina vahekaugus peab olema vähemalt 50 mm, et vältida juurdepääsu kuumadele pindadele. Kui see vahe on väiksem, suureneb seadme energiakulu.

⚠ HOIATUS! Vältimaks ebastabiilsusest tulenevaid ohte, tuleb seade paigutada või kinnitada vastavalt tootja juhiste. Külmikut ei tohi paigutada nii, et gaasipiidi metallvoolik või metallist gaasi- või veetorud või elektrijuhtmed puutuksid kokku külmiku tagaseinaga (kondensaatori juhtmega).

⚠ Kui on vaja uksi vahetada, pöörduge tehnilise abi keskuse poole.

### **ELEKTRIGA SEOTUD HOIATUSED**

⚠ Seadet peab olema võimalik vooluvõrgust lahutada kas pistikut seinakontaktist välja tõmmates (kui pistik on juurdepääsetav) või ligipääsetava mitmepooluselise lüliti abil, mis on paigaldatud seinakontaktist ülespoole vastavalt elektripaigalduseeskirjadele, ning seade peab olema maandatud vastavalt riiklikele elektriohutuseeskirjadele.

⚠ Ärge kasutage pikendusjuhtmeid, mitmikpistikupesi ega adaptoreid. Elektriühendus ei tohi pärast paigaldamist olla kasutajale ligipääsetav. Ärge kasutage seadet, kui olete märg või paljajalu. Ärge kasutage seadet, kui selle toitekaabel või pistik on kahjustunud, kui see ei tööta korralikult või kui see on kahjustunud või maha kukkunud.

⚠ Ohu, nt elektrilöögi vältimiseks peab kahjustunud toitekaabli asendama tootja, selle hooldusesindaja või sarnaselt kvalifitseeritud isik.

⚠ HOIATUS! Seadme paigutamisel jälgige, et toitekaabel ei ole kinni jäänud ega kahjustunud.


⚠ HOIATUS! Ärge pange seadme taha mitmikpistikupesi ega teisaldatavaid toiteallikaid.

### **PUHASTAMINE JA HOOLDUS**

⚠ HOIATUS! Enne seadme hoolduse alustamist veenduge, et see oleks välja lülitatud ja toitevõrgust lahti ühendatud. Ärge kasutage aurupuhasteid, sest need põhjustavad elektrilöögiohtu.

⚠ Ärge kasutage plastosade, sisepindade ja uksetihendite puhastamiseks abrasiivseid ja tugeva-toimelisi puhastusaineid nagu klaasipuhastusvedelikud, küürimispastad, tuleohtlikud vedelikud, puhastusvahad, kontsentreeritud pesuained, pleegitusvahendeid või petrooleumi sisaldavad tooted. Ärge kasutage paberkäterätikuid, küürimiskäsnu ega muid karedaid puhastusvahendeid.


### **PAKKEMATERJALI KÕRVALDAMINE**

Pakkematerjal on 100% ringlussevõetav ja tähistatud ringlussevõetusümboliga .

Pakendi osad tuleb kõrvaldada keskkonnasäästlikult ja täies vastavuses kohalike jäätmeäritlusnõuetega.

### **KODUMASINATE JÄÄTMEÄRITLUS**

See seade on toodetud ringlussevõetavatest või taaskasutatavatest materjalidest. Kõrvaldage seade vastavalt kohalikele jäätmeäritluseeskirjadele. Lisateavet elektriliste kodumasinatöötlemise, taaskasutuse ja ringlussevõtmise kohta saate kohalikult omavalitsuselt, majapidamisseadmete kogumispunktist või kauplusest, kust te seadme soetasite. Seade on märgistatud vastavalt Euroopa direktiivile 2012/19/EL elektri ja elektroonikaseadmetest tekkinud jäätmete kohta. Tagades seadme korrektse utiliseerimise, aitate hoida ära potentsiaalseid negatiivseid mõjusid keskkonnale ja inimeste tervisele.

Sümbol  seadmel või seadmega kaasasolevas dokumentatsioonis näitab, et seadet ei tohi käidelda olmejäätmena, vaid et see tuleb toimetada lähimasse elektri- ja elektroonikaseadmete kogumispunkti.

### **NÕUANDED ELEKTRIENERGIA KOKKUHOIDMISEKS**

Paigaldage seade kuiva, hea ventilatsiooniga ruumi, eemale võimalikest kuumusallikatest (näiteks radiaator, pliit jms) ja kohta, mis on kaitstud otsese päikesevalguse eest. Vajaduse korral kasutage isolatsiooniplaati. Järgige paigaldusjuhiseid, et tagada piisav ventilatsioon. Ebapiisav ventilatsioon toote tagaküljel suurendab energiakulu ja vähendab jahutuse tõhusust.

Sage ukse avamine võib energiakulu suurendada. Seadme sisetemperatuuri ja energiakulu võivad mõjutada ka keskkonna temperatuur ja seadme paigutus. Neid tegureid tuleb temperatuuri seadmisel arvesse võtta. Avage ust nii harva kui võimalik.

Külmutatud toidu sulatamiseks pange see külmikusse. Külmutatud toiduainete madal temperatuur jahutab külmikus olevaid toiduaineid. Laske soojal toidul ja jookidel enne seadmesse panemist jahtuda.

Riilite asukoht külmikus ei avalda energia kasutamise tõhususele mingit mõju. Toit tuleb paigutada riilitele nii, et oleks tagatud korralik õhuringlus (toiduained ei tohi puutuda üksteise vastu; samuti tuleb hoida vahet toidu ja tagaseina vahel).

Külmutatud toidu jaoks suurema ruumi tekitamiseks võite välja võtta korvid ja jäätökkeriuli, kui see on olemas.

Ärge muretsege kompressori tekitatavate helide pärast - toote kiirjuhendis kirjeldatakse neid helisid kui täiesti normaalseid.



## Vana külmiku nõuetekohane utiliseerimine

### ⚠ HOIATUS!

#### Lämbumisoht

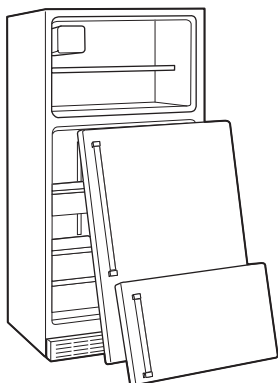
Võtke oma vana külmiku ukсед eest ära.

Selle nõude eiramine võib põhjustada surma või ajukahjustusega lõppeva õnnetuse.

**TÄHTIS!** Laste kinnijäämine ja lämbumine ei ole minevikku jäänud probleemid. Kasutuselt kõrvaldatud ja mahajäetud külmikud on endiselt ohtlikud ka siis, kui neid hoitakse vaid mõned päevad. Kui olete utiliseerimas oma vana külmikut, siis õnnetuste vältimiseks järgige allpool toodud juhiseid.

#### Enne vana külmiku või sügavkülmiku utiliseerimist

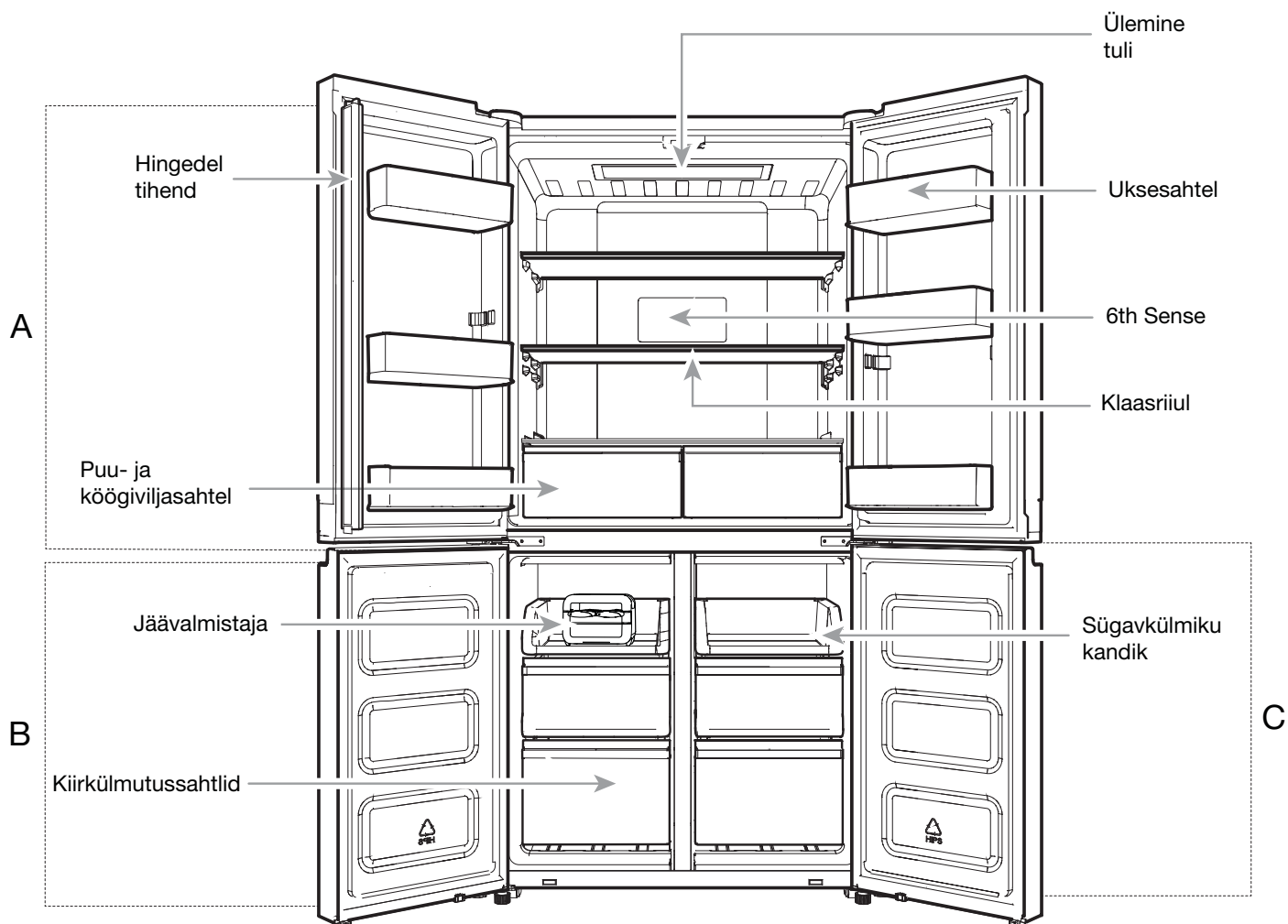
- Eemaldage selle ukсед.
- Jätke riulid külmikusse, et lastel oleks ebamugavam sisse ronida.



#### Oluline teave külmikute kasutuselt kõrvaldamise kohta

Külmiku kasutuselt kõrvaldamisel järgige föderalseid ja kohalikke eeskirju. Külmikut võib kasutuselt kõrvaldada litsentseeritud külmikutehnik kooskõlas kehtestatud eeskirjadega.

# OSAD JA OMADUSED



- A . Külmik
- B . Sügavkülmik
- C . Flexi Freeze (ainult mudelitel WQ9 B1L, 6WM591NIHAS ja WQ70900SXX)

# PAIGALDUSJUHISED

## Alustamine

### PAIGALDAMISE KONTROLL-NIMEKIRI

#### ✓ Elektritoide

## ⚠ HOIATUS!



### Elektrilöögioht

Ühendage maandatud seinakontakti.

Ärge eemaldage maandusühendust.

Ärge kasutage adapterit.

Ärge kasutage pikenduskaablit.

Nende juhiste eiramine võib põhjustada surmaga lõppeva õnnetuse, tulekahju või elektrilöögiohu.

- Ühendage külmiku pistik maandatud pistikupessa.

#### ✓ Uksed

- Kui paigaldamise ajal on vaja uksed eest ära võtta, järgige osades „Külmikuuste eemaldamine ja paigaldamine“ ja „Sügavkülmikuuste eemaldamine ja paigaldamine“ toodud juhiseid.

- Uksed sulguvad tihedalt.

- Külmik on ristloodis. Seadke reguleerjalad nii, et need on tugevalt vastu põrandat.

- Uksed on ülemise osaga tasa. (Vajadusel kasutage uste joondamise omadust).

#### ✓ Lõplik kontroll

- Eemaldage kogu pakkematerjal.

- Seadke temperatuurinupud soovitud sätetele.

- Hoidke juhised ja muu kirjandus alles.

- Põhjalikuma abi saamiseks registreerige oma toode veebilehel [www.whirlpool.eu/register](http://www.whirlpool.eu/register).

## Võtke külmik pakendist välja

## ⚠ HOIATUS!

### Liigsest raskusest tulenev oht

Oht Külmiku teisaldamiseks ja paigaldamiseks on vaja kahte inimest.

Selle nõude eiramine võib põhjustada selja- või muud laadi vigastusi.

### Külmiku transportimine

Ukseava peab olema vähemalt 838 mm laiune. Kui ukseava laius on alla 914 mm, tuleb uksed, sahtlid ja hinged eemaldada.

Ukseavadest läbi minemiseks kallutage külmik küljele.

### Külmiku teisaldamine

Teie külmik on raske. Külmiku teisaldamisel puhastamiseks või hoolduseks kaitske põrandat kindlasti papi või kõva puitkiudplaadiga. Teisaldamisel tõmmake külmikut otse ette. Külmiku teisaldamisel ärge tehke sellega väänlevaid liigutusi ja ärge püüdke külmikuga „kõndida“, sest vastasel juhul on oht kahjustada põrandat.

### Eemaldage pakkematerjal

- Enne külmiku sisse lülitamist eemaldage teip ja puhastage pinnad kõikidest liimijääkidest. Hõõruge sõrmega liimile väike kogus vedelat nõudepesuvahendit. Pühkige sooja veega ja kuivatage.
- Ärge kasutage teibi või liimi eemaldamiseks teravaid tööriistu ja ärge hõõruge alkoholi, tuleohtlike vedelike või abrasiivsete puhastusvahenditega. Need tooted võivad kahjustada teie külmiku pinda.
- Kogu pakkematerjal tuleb kasutuselt kõrvaldada/ringlusse võtta.

### Puhastage enne kasutamist

Kui kogu pakkematerjal on eemaldatud, siis enne külmiku kasutamist puhastage selle sisepinnad. Vt juhiseid osast „Külmiku hooldus“.

### Oluline teave klaasriiulite ja katete kohta

Ärge puhastage klaasriiuleid või -katteid sooja veega, kui need on veel külmad. Riiulid ja katted võivad järsust temperatuurimuutusest või löögist (jõnksutamisest) puruneda. Karastatud klaas puruneb väikesteks graanulisuurusteks tükkideks. See on normaalne. Klaasriiulid ja katted on rasked. Maha pillamise vältimiseks võtke neid kahe käega.

## Nõuded asukohale

### ⚠ HOIATUS!



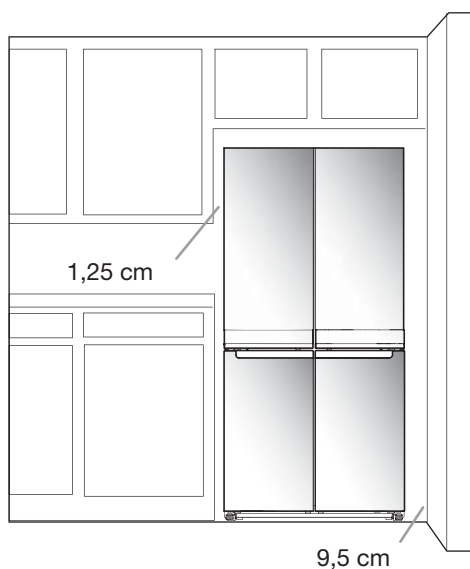
#### Plahvatusoht

**KHoidke plahvatusohtlikud materjalid ja aurud, nt gaas, külmikust eemal.**

**Selle nõude eiramine võib põhjustada surma või plahvatuslega lõppeva õnnetuse või tulekahju.**

Külmiku nõuetekohase tuulutuse tagamiseks peab külgedele ja peale jääma 1,25 cm vaba ruumi. Jätke külmiku taha 5 cm vaba ruumi. Kui teie külmik on varustatud jäävalmistajaga, jätke külmiku taha piisavalt ruumi veeühenduste jaoks. Kui paigaldate külmiku fikseeritud seina kõrvale, jätke ukse avamiseks külmiku ja seina vahele vähemalt 9,5 cm vaba ruumi.

**MÄRKUS.** See külmik on mõeldud kasutamiseks kohas, kus temperatuur püsib vahemikus 10 °C kuni maksimaalselt 43 °C. Eelistatav toatemperatuur külmiku optimaalseks talitluseks ning energiakulu vähendamiseks ja tõhusaks jahutamiseks on vahemikus 15 °C ja 32 °C. Külmikut ei ole soovitatav paigaldada kuumaallikate, näiteks ahju või radiaatori, lähedale.



## Elektrinõuded

### ⚠ HOIATUS!



#### Elektrilöögioht

**Ühendage maandatud seinakontakti.**

**Ärge eemaldage maandusühendust.**

**Ärge kasutage adapterit.**

**Ärge kasutage pikenduskaablit.**

**Nende juhiste eiramine võib põhjustada surmaga lõppeva õnnetuse, tulekahju või elektrilöögiohu.**

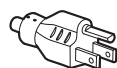
**TÄHTIS!** Külmiku peab paigaldama ja elektriühendused tegema kvalifitseeritud tehnik vastavalt tootja juhistele ja kohalikele ohutusnõuetele.

- Külmik on mõeldud töötama eraldi ahelast 220-240 V, 10 A, 50/60 Hz.
- Veenduge, et seadme andmeplaadile märgitud pinge vastab teie kodus olevale pingele.
- Seadet peab olema võimalik vooluvõrgust lahutada pistiku välja tõmbamise teel seinakontaktist või kahepooluselise lüliti abil, mis on paigaldatud seinakontaktist ülespoole.
- Ohu vältimiseks peab kahjustunud toitekaabli asendama tootja, selle hooldusesindaja või sarnaselt kvalifitseeritud isik.

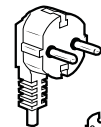
Enne kui panete külmiku selle lõplikku asukohta, on oluline veenduda elektriühenduse õigsuses.

#### Soovitatav maandus

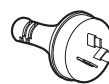
Nõutud on 220-240 V 50 Hz, 220 V 60 Hz, või 230/240 Volt 50 Hz AC ainult 10 A kaitsmega ja maandatud elektritoide.



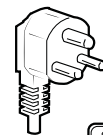
Tüüp B



Tüüp E ja F



Tüüp I



Tüüp M



Tüüp G

#### Austraalia ja Uus-Meremaa jaoks

Teie uus seade vastab kõikidele Austraalia standarditele ja tingimustele.

Kuna mõned paigaldusjuhistes toodud märkused võivad kohalduda teistes riikides kehtivatele elektrinõuetele, juhime teie tähelepanu nendele spetsiifilistele märkustele.

Teie seade tuleb ühendada 10 A kaitsmega varustatud maandatud seinakontakti 230/240 V 50 Hz AC.



## Elektriühendused (ainult Suurbritannia ja Iirimaa jaoks)

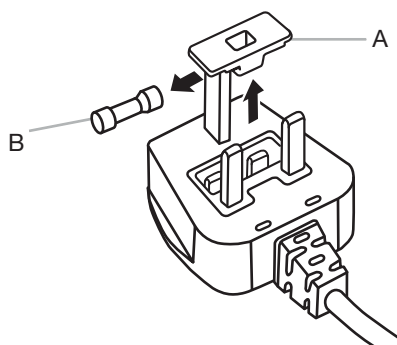
**TÄHTIS!** See külmik peab olema maandatud.

### Kaitsme vahetamine

Kui selle seadme toitekaabel on varustatud BS 1363A 13 A kaitsmega pistikuga, kasutage sellist tüüpi pistikus kaitsme vahetamiseks A.S.T.A. heakskiidetud BS 1362 tüüpi kaitset ja toimige vastavalt järgnevatele juhistele.

1. Eemaldage kaitsme kate (A) ja kaitse (B).
2. Paigaldage 13 A kaitse kaitsmekattes.
3. Pange mõlemad tagasi pistikusse.

**TÄHTIS!** Kaitsmekate tuleb kaitsme vahetamisel tagasi panna. Kaitsmekatte kaotamine korral ei tohi pistikut kasutada enne, kui on paigaldatud õige asendus-kaitsmekate. Õige asendusosa tunnete ära pistiku alusel olevast värvilisest siseosast või värvilisest reljeefsest sõnast. Asendus-kaitsmekatted on saadaval elektritarvete kaupluses.



A. Kaitsme kate  
B. Kaitse

### Ainult Iiri Vabariigi jaoks

Sageli kehtib Suurbritannia kohta käiv teave, kuid kasutatakse ka kolmandat tüüpi pistikut ja seinakontakti, millel on kaks kontakti ja külgmaandus.

#### Seinakontakt / pistik (kohaldub mõlemale riigile):

Kui paigaldatud pistik ei sobi teie seinakontakti, võtke täiendavate juhistega saamiseks ühendust teenindusega. Ärge üritage pistikut ise vahetada. Seda peab tegema kvalifitseeritud tehnik vastavalt tootja juhistele ja kehtivatele ohutusnõuetele.

## Temperatuur

Seade on mõeldud kasutamiseks kohtades, kus temperatuur on vahemikus, mis vastab andmeplaadile märgitud kliimaklassile (vt allpoolt). Külmik ei pruugi töötada korralikult, kui see jäetakse pikaks ajaks märgitud vahemikust väljapoole jääva temperatuuriga keskkonda.

**MÄRKUS.** Ärge paigalage külmikut kuumaallikate, nagu näiteks ahju või radiaatori lähedale.

Kliimaklass	Keskonnatemp. Temp. (°C)	Keskonnatemp. Temp. (°F)
SN	10-32	50-90
N	16-32	61-90
ST	16-38	61-100
T	16-43	61-110

## Külmikuuste eemaldamine ja paigaldamine

**MÄRKUS.** Enne uue külmiku tuppa toomist mõõtko oma ukseava laius, et otsustada, kas külmikuuksed on vaja eemaldada või mitte. Kui üks tuleb eemaldada, toimige vastavalt alljärgnevatele juhistele.

**TÄHTIS!** Kui hakkate teisaldama kodus olevat külmikut, siis enne uste eemaldamist lülitage seade välja. Tõmmake külmiku pistik seinakontaktist välja või lahutage seade vooluvõrgust. Eemaldage toiduained ja reguleeritav uks või ukssel olevad mahutid.

Enne uste eemaldamise alustamist pange valmis vajalikud tööriistad ja lugege läbi kõik juhised.

**VAJALIKUD TÖÖRIISTAD** 6 mm padrunvõti, 5 mm padrunvõti ja #2 ristpeakruvikeeraja.



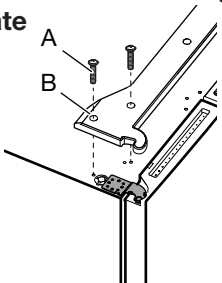
### ⚠ HOIATUS!

#### Elektrilöögihoht

Enne uste eemaldamist lahutage seade vooluvõrgust.

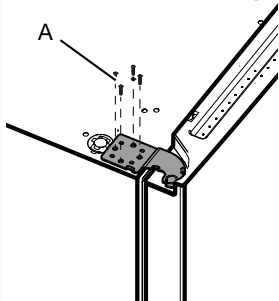
Selle nõude eiramine võib põhjustada surma või elektrilöögiga lõppeva õnnetuse.

#### Ülemise vasaku hinge kate



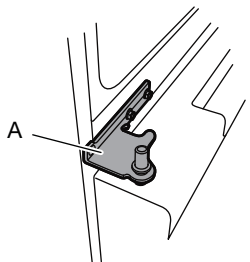
A. Ülemise hinge katte kruvid  
B. Ülemise hinge kate

#### Ülemine vasak hing



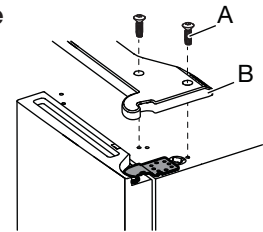
A. 5 mm kuuskantkruvid

#### Keskmine vasak hing



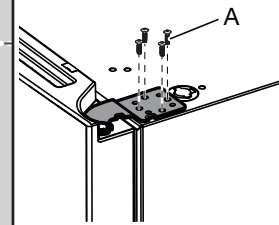
A. Hing

#### Ülemise parema hinge kate



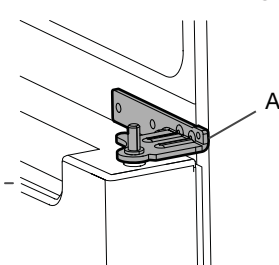
A. Ülemise hinge katte kruvid  
B. Ülemise hinge kate

#### Ülemine parem hing



A. 5 mm kuuskantkruvid

#### Keskmine parem hing



A. Hing

## ⚠ HOIATUS!

Liigest raskusest tulenev oht

Külmiku ust peavad tõstma vähemalt kaks inimest.

Selle nõude eiramine võib põhjustada selja- või muud laadi vigastusi.

### Külmikuuste eemaldamine

## ⚠ HOIATUS!



Elektrilöögioht

Enne uste eemaldamist lahutage seade vooluvõrgust.

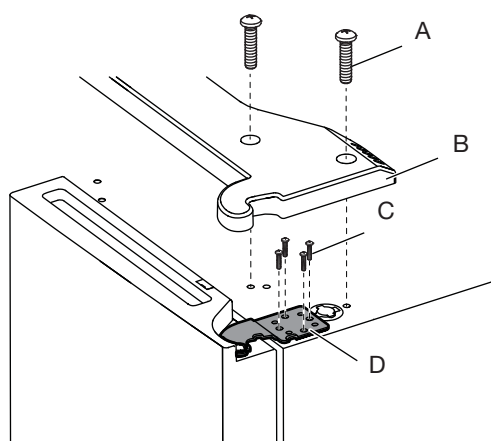
Selle nõude eiramine võib põhjustada surma või elektrilöögiga lõppeva õnnetuse.

### Parempoolse ukse eemaldamine

1. Tõmmake külmiku pistik seinakontaktist välja või lahutage seade vooluvõrgust.
2. Hoidke külmikuuksed kinni, kuni olete valmis need külmikult maha võtma.

**MÄRKUS.** Pange külmikuuksele hingede eemaldamise ajaks lisatugi. Ärge lootke ainult uksetihendi magnetile ukse hoidmiseks oma kohal töö ajal.

3. Kasutage ristpeakruvikeerajat ja eemaldage kate ülemiselt hingelt.
4. Kasutage 5 mm padrunvõtit ning eemaldage ülemiselt hingelt 4 kruvi ja pange need kõrvale.



A. Ülemise hinge kate kruvi  
B. Ülemise hinge kate

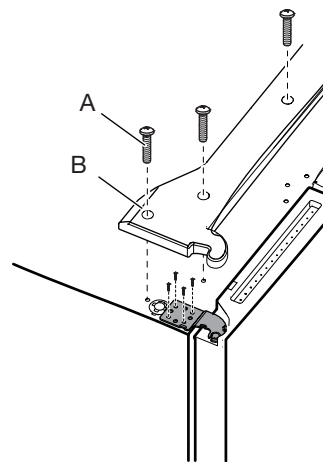
C. 5 mm kuuskantkruvid  
D. Ülemine hing

5. Tõstke külmikuuks keskmise hinge võllilt maha. Ülemine hing tuleb koos uksega ära.

### Vasakpoolse ukse eemaldamine

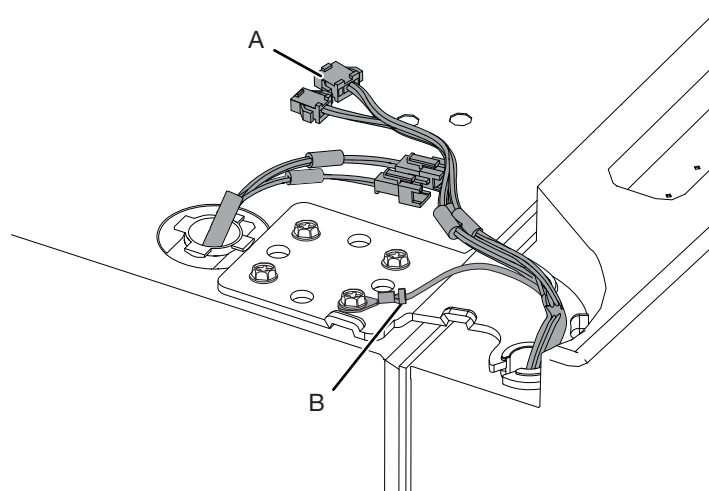
**TÄHTIS!** Kuna kasutajaliidese juhtmed kulgevad läbi vasakpoolse ukse hinge, tuleb need enne ukse eemaldamist lahti ühendada.

1. Kasutage ristpeakruvikeerajat ja eemaldage kate ülemiselt hingelt.



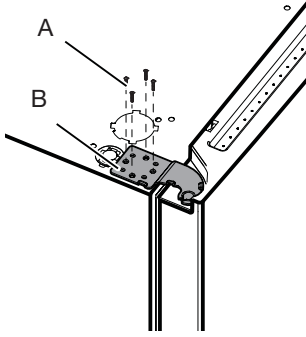
A. Ülemise hinge kate kruvi  
B. Ülemise hinge kate

2. Ühendage lahti kaks juhtme pistikut, mis asuvad uksehinge ülemisel osal.
  - Võtke juhtme pistikutest mõlemalt poolt kinni. Vajutage vasaku pöidlaga riiv alla, et see vabastada ning tõmmake pistikud lahti.



A. Juhtme pistik  
B. Maanduskonnektor

3. Kasutage 5 mm padrunvõtit ning eemaldage ülemiselt hingelt neli kruvi ja pange need kõrvale.



A. 5 mm kuuskantkruvid  
B. Ülemine hing

**MÄRKUS.** Pange külmikuuksele hingede eemaldamise ajaks lisatugi. Ärge lootke ainult uksetihendi magnetile ukse hoidmiseks oma kohal töö ajal.

4. Tõstke külmikuuks alumise hinge võllilt maha. Ülemine hing tuleb koos uksega ära.

**MÄRKUS.** Külmiku teisaldamiseks läbi ukseava ei pruugi olla vaja eemaldada alumisi hingi ja tugijalgu.

- Kui see osutub aga vajalikuks, kasutage 6 mm padrunvõtit ja #2 ristpeakruvikeerajat ning eemaldage keskmine hing.

#### Parempoolse külmikuukse paigaldamine

1. Pange parempoolne uks keskmise hinge võllile.
2. Pange ülemise hinge võll külmikuukse ülemisel olevasse avasse.
3. Kasutage 5 mm kuuskantkruvi ja kinnitage hing kapi külge. Ärge keerake kruve täielikult kinni.

#### Vasakpoolse külmikuukse paigaldamine

1. Pange vasakpoolne uks keskmise hinge võllile.
2. Kasutage 5 mm kuuskantkruvi ja kinnitage hing kapi külge. Ärge keerake kruve täielikult kinni.
3. Ühendage elektrijuhtmed tagasi.
  - Ühendage juhtme pistiku mõlemad seksioonid kokku.
  - Ühendage maandusjuhe hinge kruviga.

#### Viimased sammud

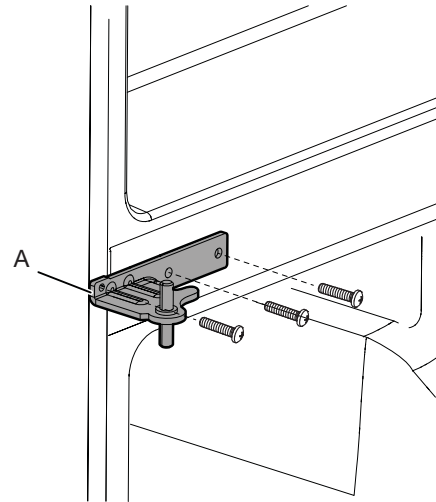
1. Keerake kaheksa 5 mm kuuskantkruvi täielikult kinni.
2. Pange ülemise hinge katted tagasi.

## Sügavkülmiku/Flexi Freeze'i ukse eemaldamine ja paigaldamine

1. Hoidke sügavkülmikuuksed kinni, kuni olete valmis need kapilt maha võtma.

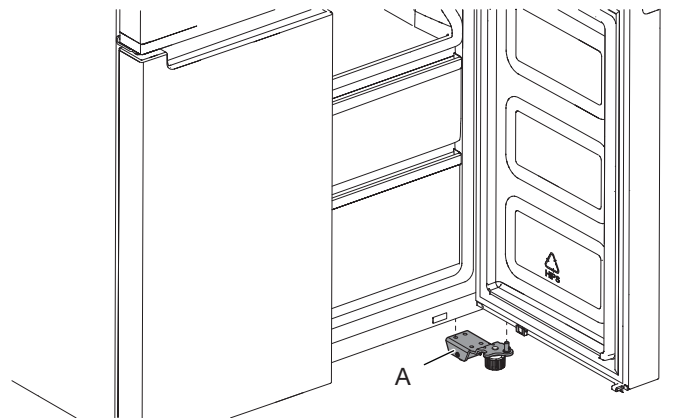
**MÄRKUS.** Pange sügavkülmikuuksele hingede eemaldamise ajaks lisatugi. Ärge lootke ainult uksetihendi magnetile ukse hoidmiseks oma kohal töö ajal.

- Kasutage #2 ristpeakruvikeerajat ja 6 mm padrunvõtit ning võtke keskmine hing kapilt maha.



A. Keskmine hing

- Tõstke sügavkülmikuuks alumise hinge võllilt maha.



A. Alumine hing

## ⚠ HOIATUS!



### Elektrilöögioht

Ühendage maandatud seinakontakti.

Ärge eemaldage maandusühendust.

Ärge kasutage adapterit.

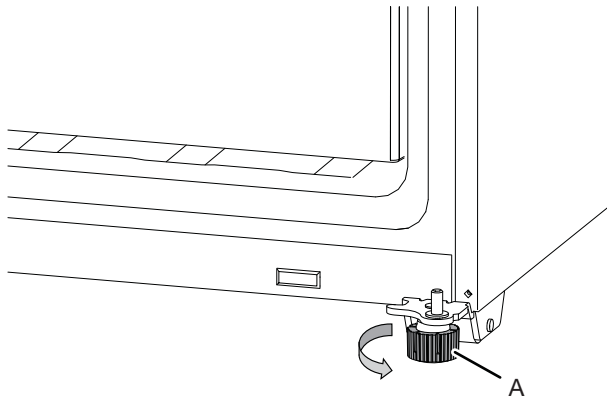
Ärge kasutage pikenduskaablit.

Nende juhiste eiramine võib põhjustada surmaga lõppeva õnnetuse, tulekahju või elektrilöögiohu.

1. Ühendage maandatud seinakontakti.
2. Pange kõik eemaldatavad osad tagasi ja toiduained sahtlitesse.

## Külmiku loodimine

1. Viige külmik selle lõplikku asukohta.
2. Pöörake tugijalgu sõrmede abil. Keerake neid vastupäeva, kuni rullikud ei puutu vastu põrandat ja mõlemad tugijalad on tugevalt vastu põrandat. Nii ei hakka külmik uste avamisel ette veerema.



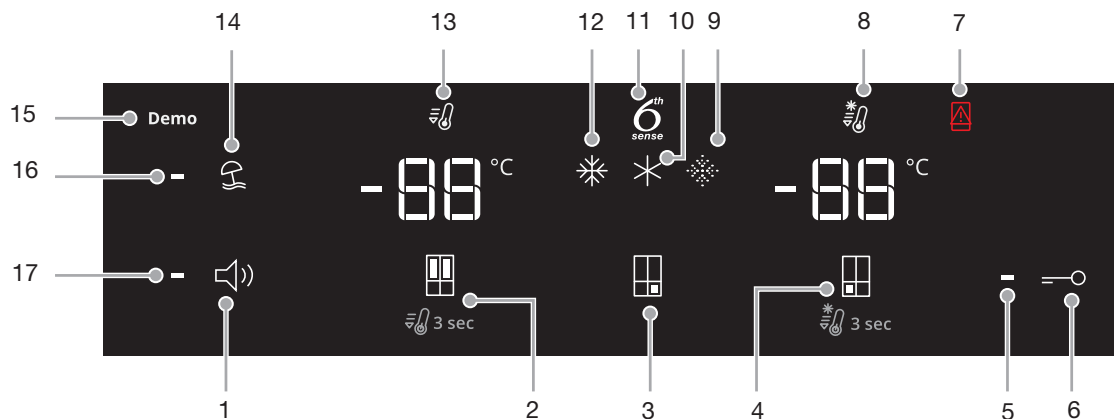
A. Tugijalg

**TÄHTIS!** Kui tugijalgu on vaja täiendavalt reguleerida, keerake mõlemat tugijalga võrdselt, et külmik püsiks loodis.

3. Kasutage loodi ja veenduge, et külmik oleks loodis küljelt küljele ja eest taha.

## Nuppude kasutamine

Puutetundlikud nupud asuvad vasakpoolsel külmikuksel. Juhtpaneelil on erinevad nupud ja näidikud. Külmiku ja sügavkülmiku temperatuurinäidikud kuvavad viimati seadistatud temperatuurisätteid.



1. Heli SISSE/VÄLJA nupp
2. Külmiku temperatuurinupp (kiirjahutuseks hoidke all 3 sek)
3. Flexi Freeze'i eelseadistatud temperatuurinupp (ainult mudelitel WQ9 B1L, 6WM591NIHAS ja WQ70900SXX)
4. Sügavkülmiku temperatuurinupp (kiirjahutuseks hoidke all 3 sek)
5. Lukustuse näidik
6. Lukustuse nupp
7. Avatud ukse näidik
8. Kiirkülmutuse näidik
9. Kerge külmutuse näidik (ainult mudelitel WQ9 B1L, 6WM591NIHAS ja WQ70900SXX)
10. Keskmise külmutuse näidik (ainult mudelitel WQ9 B1L, 6WM591NIHAS ja WQ70900SXX)
11. 6th Sense'i näidik
12. Tugeva külmutuse näidik (ainult mudelitel WQ9 B1L, 6WM591NIHAS ja WQ70900SXX)
13. Kiirjahutuse näidik
14. Puhkuserežiimi nupp
15. Demorežiimi näidik (ainult mudelitel WQ9 B1L, 6WM591NIHAS ja WQ70900SXX)
16. Puhkuserežiimi näidik
17. Helisignaal

Kui ühe minuti jooksul ei ole toimunud mingit tegevust, lülitub juhtpaneel automaatselt välja. Juhtpaneeli sisse lülitamiseks vajutage ükskõik millisele nupule.

### -88 Temperatuurisätete vaatamine ja seadistamine

#### Külmiku- ja sügavkülmikusektsiooni temperatuuri reguleerimine

Teie mugavuse tagamiseks on külmiku ja sügavkülmiku temperatuurid tehases juba seadistatud.

Külmiku esmakordsel paigaldamisel veenduge, et soovituslikke temperatuurisätteid ei ole muudetud. Tehase poolt soovitatud sätteid on 3 °C külmikus ja -18 °C sügavkülmikus.

Külmiku või sügavkülmiku temperatuurinupule vajutamine vaheldab võimalikke sätteid Celsiuse kraadides (°C)

#### TÄHTIS!

- Oodake 24 tundi enne kui panete toidu külmikusse. Kui panete toidu külmikusse enne kui külmik on täielikult jahutatud, võib toit rikneda.

**MÄRKUS.** Temperatuuri seadmine soovitatust madalamaks ei kiirenda sektsioonide jahutamist.

- Kui külmiku- või sügavkülmikusektsioonis on temperatuur liiga soe või külm, siis enne sätete muutmist kontrollige ventilatsioonivahendid ja veenduge, et need ei oleks blokeeritud.

- Soovitatud sätteid peaksid sobima tavalise kodumajapidamise tingimustesse. Sätteid on õiged siis, kui piim või mahl on just nii külmad, kui te soovite, ja jäätis on kõva.

**MÄRKUS.** Garaažis, keldris, verandal ja sarnastes kohtades võib niiskustase olla kõrgem või temperatuur äärmuslikum. Nendes tingimustes peate temperatuuri soovituslikke sätteid muutma.

- Seadistuste vahel oodake vähemalt 24 tundi. Enne seadistuse uuesti muutmist kontrollige uuesti temperatuuri.

### 6<sup>th</sup> Sense Fresh Locki ja külmutamise kontroll

Funktsiooni 6<sup>th</sup> SENSE Fresh Lock andurid tagavad täpse ja püsiva temperatuuri, et toit püsiks kauem värskes kõige loomulikuma moel. Temperatuurierinevuse tuvastamisel aktiveerib andur kompressori, mis taastab kiiresti algse temperatuuri.

Tänu uudsele temperatuurihaldussüsteemile minimeerib funktsiooni 6<sup>th</sup> SENSE Freeze andur temperatuurikõikumisi sügavkülmikus. Sügavkülmapõletused vähenevad, et toit oleks kvaliteetne ja õige värvusega.

#### \* \* \* Flexi Freeze'i seadistamine (ainult mudelitel WQ9 B1L, 6WM591NIHAS ja WQ70900SXX)

Funktsioon Flexi Freeze võimaldab vaheldada Flexi Freeze'i sektsiooni eelseadistatud temperatuuri.

Sümbol	Funktsioon	Temperatuur
☼	Tavapärane külmutamine	-18 °C
✧	Keskmine külmutamine	-12 °C
☼	Kerge külmutamine	-7 °C

\* Kõige jahedama (-20 °C) sätete lubamiseks/keelamiseks vajutage Flexi Freeze'i eelseadistatud temperatuurinupp 3 sekundiks alla.

### Temperatuurisätete seadistamine



- Tavapärane külmutamine (-18 °C): Juba külmutatud toit ja värsket toit (max 12 kuud)
- Keskmine külmutamine (-12 °C): Juba külmutatud toit (max 1 kuu)
- Kerge külmutamine (-7 °C): Juba külmutatud toit (max 1 nädal)

## Temperatuurisätete seadistamisel juhenduge alljärgnevast tabelist:

OLUKORD	TEMPERATUURI SEADISTAMINE
Külmikus on liiga külm	Suurendage külmiku seadistust 1° võrra
Külmikus on liiga soe	Vähendage külmiku seadistust 1° võrra
Sügavkülmikus on liiga külm	Suurendage sügavkülmiku seadistust 1° võrra
Sügavkülmikus on liiga soe/liiga vähe jääd	Vähendage sügavkülmiku seadistust 1° võrra



### Kiirjahutus

Kiirjahutusfunktsioon on kasulik ajal, mil külmikut kasutatakse väga tihti ja see on toitu täis või kui ruumis on ajutiselt soojem.

- Kiirjahutusfunktsiooni aktiveerimiseks vajutage külmiku temperatuurinupp  3 sekundiks alla. Kui funktsioon on aktiveeritud, põleb kiirjahutusfunktsiooni ikoon. Kiirjahutusfunktsioon jääb kaheks tunniks sisse lülitatuks, v.a kui see lülitatakse käsitsi välja.
- Kiirjahutusfunktsiooni käsitsi välja lülitamiseks vajutage külmiku temperatuurinupp  3 sekundiks alla. Kiirjahutusfunktsiooni ikoon ei põle, kui funktsioon ei ole aktiveeritud.
- Külmiku temperatuuri seadistamisel lülitub kiirjahutusfunktsioon automaatselt välja.

### Kiirkülmutus

Seadme andmeplaadile on märgitud värske toidu kogus (kilogrammides), mida on võimalik 24 tunni jooksul külmutada.

- Vajutage sügavkülmiku temperatuurinupp  3 sekundiks alla (kuni kiirkülmutuse näidikutuli süttib) 24 tundi enne kui panete värske toidu sügavkülmikusse. Kui olete värske toidu sügavkülmikusse pannud, siis üldjuhul piisab, kui sügavkülmutuse funktsioon on 24 tundi sisse lülitatud. 50 tunni möödumisel lülitub kiirkülmutusfunktsioon automaatselt välja.
- Kiirkülmutusfunktsiooni käsitsi välja lülitamiseks vajutage sügavkülmiku temperatuurinupp  3 sekundiks alla. Kiirkülmutusfunktsiooni ikoon lülitub välja.
- Sügavkülmiku temperatuuri seadistamisel lülitub kiirkülmutusfunktsioon automaatselt välja.

### Puhkuserežiim

See režiim on mõeldud energiakulu minimeerimiseks, kui te seadet regulaarselt ei kasutada (nt kui viibite puhkusele).

Selle funktsiooni valimisel läheb külmikusektsioon automaatselt üle kõige soojemale sättele.

- Puhkuserežiimi kasutamiseks vajutage režiimi nupule, kuni juhtpaneelile kuvatakse puhkuserežiimi ikoon.
- Puhkuserežiimist väljumiseks vajutage režiimi nupule, kuni juhtpaneelile kuvatud puhkuserežiimi ikoon kustub.
- Külmiku temperatuuri seadistamisel lülitub puhkuserežiimi funktsioon automaatselt välja.

**TÄHTIS!** Selle režiimi valimisel tuleb kõik toiduained ja joogid külmikusektsioonist välja võtta.

### Heli SISSE/VÄLJA

Vajutage nupule helisignaali lubamiseks/keelamiseks.

### Lukustus

- Lukustusfunktsiooni lubamiseks vajutage lukustuse nupp 3 sekundiks alla.
- Lukustusfunktsiooni keelamiseks vajutage lukustuse nupp 3 sekundiks alla.

Kui lukustusfunktsioon on lubatud, keelatakse mistahes toimingud juhtpaneelil, kuni kasutaja vabastab juhtpaneeli. See funktsioon on mõeldud sätete soovimatu muutmise vältimiseks.

### Demorežiim (ainult mudelitel WQ9 B1L, 6WM591NIHAS ja WQ70900SXX)


Seda režiimi kasutatakse siis, kui külmikut esitletakse kaupluses või kui soovite jahutamise välja lülitada ja kõik teised funktsioonid (v.a sisevalgustus) keelata.

Demorežiimi võib kasutada siis, kui lähete pikemale puhkusele. Juhised külmiku jätmiseks pikemaks ajaks sellele režiimile leiata osast „Puhkus ja kolimine“.

- Demorežiimi sisse lülitamisel süttib juhtpaneelil ikoon „Demo“.
- Demorežiimi sisse või välja lülitamiseks vajutage nupud Heli sisse või välja ja lukustuse nupp 3 sekundiks korraga alla.

### Täiendavad omadused

#### Avatud ukse häire

- Avatud ukse häire funktsioon aktiveerib helisignaali ja lahtise ukse ikooni  vilkumise, kui üks neljast uksest on üle 2 minuti lahti.
- Häiresignaal kordub iga 5 minuti järel. Selle välja lülitamiseks sulgege kõik ukсед.

**MÄRKUS.** Häiresignaali vaigistamiseks, kui ukсед on lahti, näiteks külmiku sisepindade puhastamisel, vajutage ükskõik millisele nupule juhtpaneelil. Häiresignaal lülitatakse ajutiselt välja, kuid juhtpaneelil olev avatud ukse ikoon jääb põlema.

### Külmiku valgustus

Külmikul on sisevalgustus, mis lülitub sisse ükskõik kumma ukse avamisel.

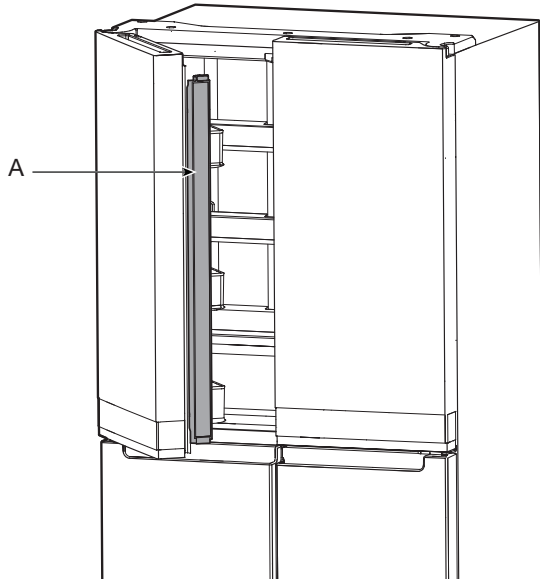
**MÄRKUS.** See on LED-tuli, mida ei saa ise vahetada. Kui LED-tuli ei sütti, pöörduge selle vahetamiseks teenindusse.

# KÜLMIKU KASUTAMINE

## Uste avamine ja sulgemine

Külmikuseksioonil on kaks ust. Uksi saab avada ja sulgeda eraldi või koos. Külmiku vasakul uksele on vertikaalne hingedel tihend.

- Vasakpoolse ukse avamisel läheb hingedel tihend automaatselt sissepoole, et mitte teele ette jääda.
- Kui mõlemad ukse on suletud, moodustab hingedel tihend automaatselt tihendi kahe ukse vahel.

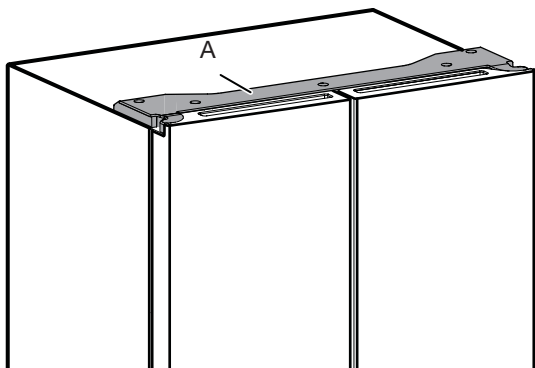


A. Hingedel tihend

Külmikuseksiooni ukse lüliti asub hinge katte ülemisel osal vasakul ja paremal.

- Sügavkülmiku ja mitme temperatuuriga ala ukse lüliti on alumisel vertikaalsel postil.
- Ukselülitiil on magnet ukse avamise/sulgemise tuvastamiseks.
- Veenduge, et 7,62 cm raadiuses hinge kattest ei ole magnetiga või elektroonilisi (kõlar, Coolvox® jne) seadmeid.

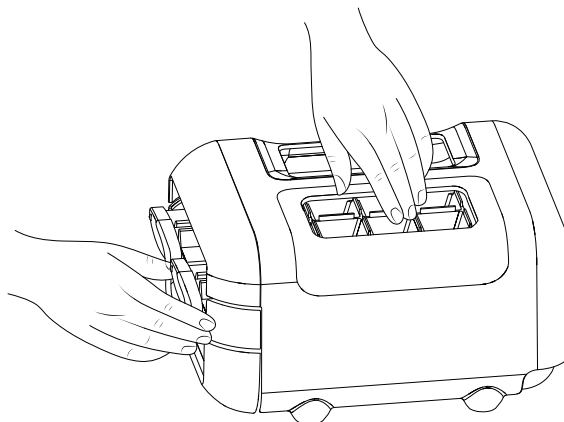
**MÄRKUS.** Tuli ei lülitu sisse, kui ukse avamist ei tuvastatud.



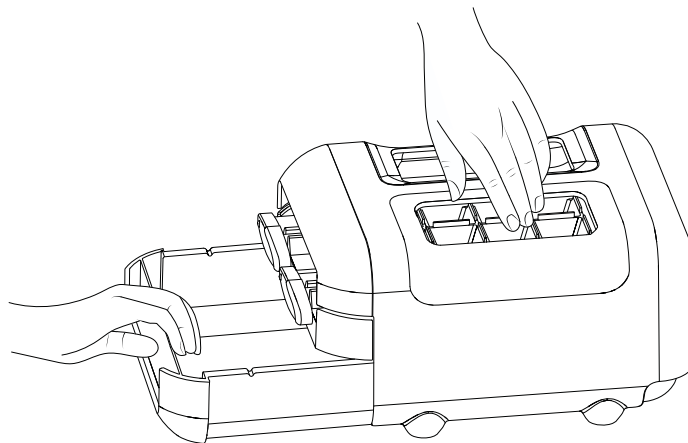
A. Hinge kate

## Jäävalmistaja

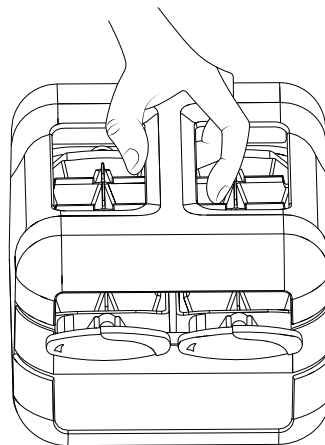
- Jää valmistamiseks täitke jääalus puhastatud veega ja pange jäävalmistaja sügavkülmiku ülemisele riulile. Andke aega jää tekkimiseks ja kui jää on valmis, keerake nuppe päripäeva, et jääkuubikud kukusid jäämahutisse.



- Jääkuubikute kättesaamiseks tõstke jäämahuti veidi ja tõmmake jäämahuti välja.



Kui teil jäävalmistajat vaja ei ole, siis ruumi suurendamiseks sügavkülmikus võite selle sügavkülmikust välja võtta.



## Toiduainete säilitamine

### Munade säilitamine

Kuna munade optimaalse värskuse tagamiseks tuleb neid hoida püsival temperatuuril, soovime munad panna külmiku keskmisele riulile.



# RIIULID, MAHUTID JA SAHTLID

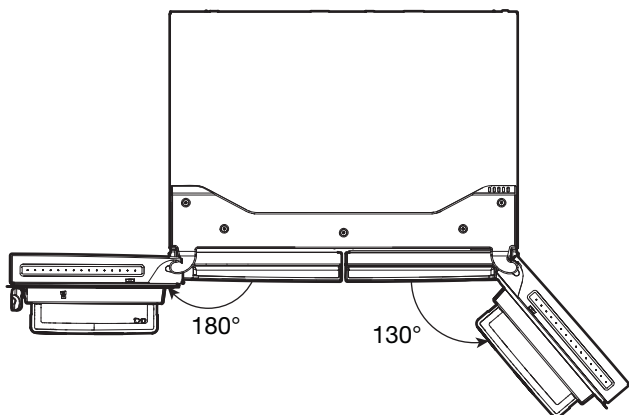
## Oluline teave klaasriiulite ja katete kohta

Ärge puhastage klaasriiuleid või -katteid sooja veega, kui need on veel külmad. Riiulid ja katted võivad järsust temperatuurimuutusest või löögist (jõnksutamistest) puruneda. Karastatud klaas puruneb väikesteks graanulisuurusteks tükkideks. See on normaalne. Klaasriiulid ja katted on rasked. Maha pillamise vältimiseks võtke neid kahe käega.

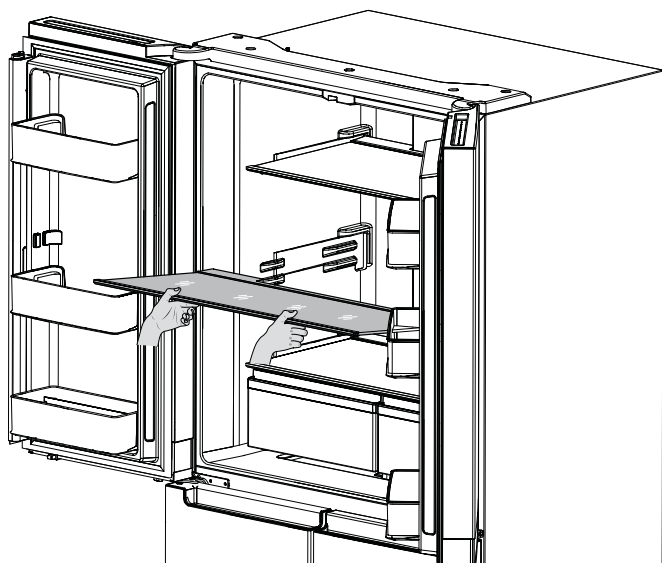
## Riuli kõrguse seadmine

Riuli kõrguse muutmiseks pange see alumisest vahest ülemisse ja vastupidi.

- Avage parempoolne uks täielikult.
- Avage vasakpoolne uks täielikult ja seejärel tõstke ust nii, et see avaneb 180°.



- Võtke riul külmikust välja ja pange soovitud vahesse.



- Veenduge, et riul oleks vahes korralikult oma kohal.

## Riiulid ja riuliraamid

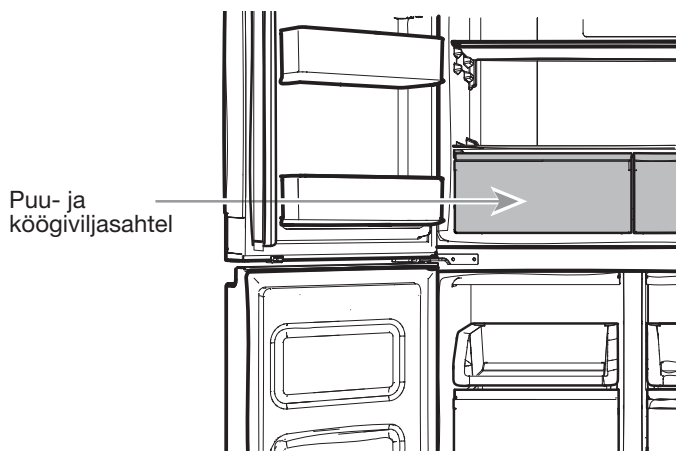
Teie külmiku riiulid on kohandatavad, et tagada sobivus erinevateks hoiustamisvajadusteks.

Sarnaste toiduainete koos hoiustamine ja külmiku riiulite kohandamine vastavalt erineva kõrgusega toodetele hõlbustab toodete ülesleidmist külmikust. Sel juhul on ka külmiku uks lühemat aega lahti, mis aitab säästa energiat.

## Riiulite eemaldamine ja tagasi panemine

1. Avage parempoolne üks täielikult, seejärel avage vasakpoolne uks täielikult ja tõstke vasak uks 180° lahti.
2. Keskmise või ülemise riuli eemaldamiseks tõstke see ülespoole ja riulitoestustest välja. Seejärel tõmmake riulit ette ja kallutage alla vertikaalsesse asendisse. Keerake riul nurga alla ja tõmmake see külmikust välja.
3. Alumise riuli eemaldamiseks tõstke see ülespoole ja riulitoestustest välja. Seejärel tõmmake riulit ette ja kallutage üles vertikaalsesse asendisse. Keerake riul nurga alla ja tõmmake see külmikust välja.
4. Keskmise ja ülemise riuli tagasi panemiseks pange riul nurga all külmikusse nii, et esiserv on alla suunatud. Tõstke riuli esiosa üles ja libistage seni, kuni riuli tagumine osa langeb riulitoestustele. Langetage riuli esiosa ja veenduge, et riul oleks õiges asendis.
5. Alumise riuli tagasi panemiseks pange riul nurga all külmikusse nii, et esiserv on üles suunatud. Tõstke riuli esiosa alla ja libistage seni, kuni riuli tagumine osa langeb riulitoestustele. Langetage riuli esiosa ja veenduge, et riul oleks õiges asendis.

## Puu- ja köögiviljasahtlid

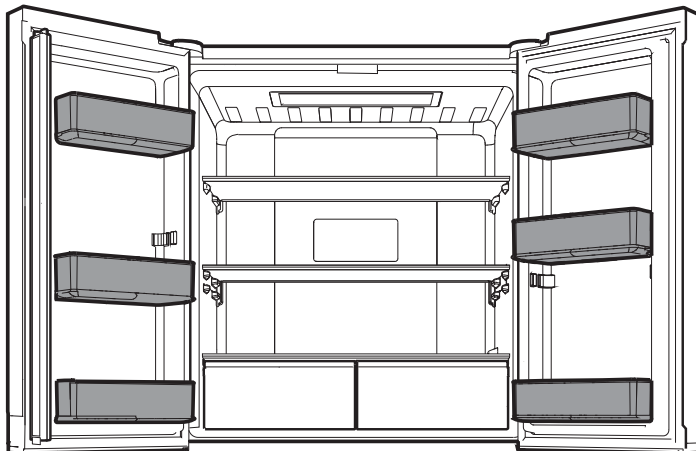


## Puu- ja köögiviljasahtlite eemaldamine ja paigaldamine

1. Võtke puu- ja köögiviljasahtli käepidemest kinni ja libistage see otse kuni piirajani välja. Tõstke sahtel alumiselt juhikult välja.
2. Puu- ja köögiviljasahtli tagasi panemiseks pange see sahtli alumisele juhikule ning lükake üle piiraja oma kohale.

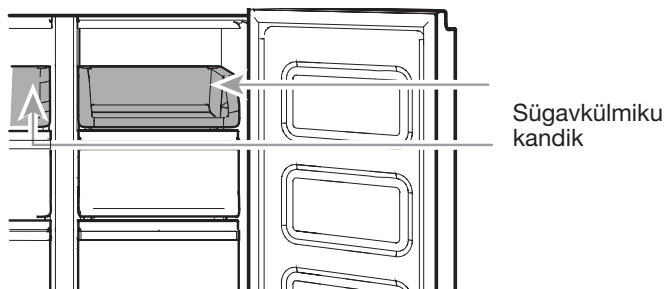
## Ukseriulid

Teie külmiku ukseriulid on kohandatavad, et tagada sobivus erinevateks hoiustamisvajadusteks.



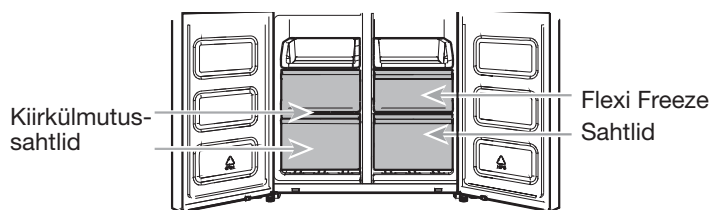
## Sügavkülmiku sektsioonid

### Sügavkülmiku kandik



Sügavkülmiku kandik tagab kiire juurdepääsu sageli kasutatavatele toodetele, väikeste ülejääkide või toodete külmutamiseks või lihtsalt säilitamiseks.

### Sügavkülmiku sahtlid



### Kiirkülmutussektsioon

- Kiirkülmutussahtlid võimaldavad mugavalt säilitada mahukaid tooteid.
- Kiirkülmutusfunktsioon võimaldab säilitada kõiki külmutatud toiduaineid turvaliselt ja läbipaistvalt.

### Flexi Freeze'i sektsioon (ainult mudelitel WQ9 B1L, 6WM591NIHAS ja WQ70900SXX)

Flexi Freeze'i sektsioon võimaldab valida ühe kolmest sügavkülmiku temperatuurisättest:  $-7^{\circ}\text{C}$ ,  $-12^{\circ}\text{C}$  ja  $-18^{\circ}\text{C}$ , et tagada parimad säilitustingimused erinevat tüüpi toiduainete jaoks.

Sügavkülmiku maksimaalse mahutavuse tagamiseks võib sügavkülmiku sahtli välja võtta ja kasutada riulit ilma selleta.

### Ülemise sahtli eemaldamine

1. Võtke sahtli käepidemest kinni ja libistage see otse kuni piirajani välja. Tõstke sahtel alumiselt juhikult välja.
2. Sahtli tagasi panemiseks pange see sahtli alumisele juhikule ning lükake üle piiraja oma kohale.

### Sügavkülmikuriul (ainult mudelitel WQ9 E1L ja WQ9 B1L)

Sügavkülmiku maksimaalse mahutavuse tagamiseks võib keskmise sahtli välja võtta ja kasutada riulit ilma selleta. Seejärel võite alumise riuli hoiustada ja panna toiduained otse riulile.

## Seadme töömüra

### Helide hindamine

Heli nimetus	Kasutusnäited
Toide sees	Jahutussüsteem lülitub alati sisse, kui seade sisse lülitatakse.
Nupuvajutus	Kasutaja vajutab kehtivale nupule.
Kehtetu (viga)	Kasutaja vajutab üheaegselt kahele või enamale kehtivale nupule. Mahaloendamise katkestus nuppude puhul, millele tuleb vajutada ja siis all hoida
Aktiveerimine	Režiimile ülemineku kinnitamine
Inaktiveerimine	Režiimi katkestamise kinnitamine
Hoiatus	Avatud ukse hoiatus

See tabel on ainult kiireks viiteks. Lisateavet leiате vastavatest osadest. Erinevuste korral kehtib vastavas osas toodud teave.

## Tarvikud

Tarvikute tellimiseks pöörduge edasimüüja poole, kellelt te oma külmiku soetasite.

## Müügiärgne teenindus

Enne teeninduskeskusesse helistamist vaadake veaotsingu osa ja püüdke probleem ise lahendada. Seeläbi võite säästa väljakutsekulu. Kui vajate siiski abil, järgige allpool toodud juhiseid.

### Kui vajate varuosi

Tehase poolt soovitatud varuosade leidmiseks oma piirkonnas pöörduge edasimüüja poole, kellelt te külmiku soetasite.

### Garantii

Lisateavet garantii kohta saate edasimüüjalt, kellelt te külmiku soetasite.

**Hoidke see brošüür ja ostukviitung edaspidiseks alles. Garantiiõude esitamiseks peate esitada ostu või paigaldust tõendava dokumendi.**

Abi või teeninduse hõlbustamiseks kirjutage üles järgmised andmed oma seadme kohta. Te peate teadma oma seadme mudeli numbrit ja seerianumbrit. Selle teabe leiате külmikusektsiooni siseseinal asuvalt mudeli- ja seerianumbri plaadilt.

Edasimüüja nimi \_\_\_\_\_

Seeria- number \_\_\_\_\_

Aadress \_\_\_\_\_

Telefoni- number \_\_\_\_\_

Mudeli number \_\_\_\_\_

Ostu- kuupäev \_\_\_\_\_

# KÜLMIKU HOOLDAMINE

## Puhastamine

**! HOIATUS!**



### Plahvatusoht

**Kasutage mittesüttivat puhastusvahendit.**

**Selle nõude eiramine võib põhjustada surma või plahvatuslega lõppeva õnnetuse või tulekahju.**

Kõik külmiku-, sügavkülmiku- ja Flexi Freeze'i sektsioonid (ainult mudelitel WQ9 B1L, 6WM591NIHAS ja WQ70900SXX) sulavad automaatselt. Kuid ebameeldivate lõhnade vältimiseks puhastage kõiki sektsioone umbes kord kuus. Pritsmed tuleb kohe eemaldada.

### Välispindade puhastamine

Välispindade puhastamisel järgige oma külmikumudeli puhastamisjuhiseid.

#### Versioon 1 – Sile uks

**TÄHTIS!** Garantii ei kata sileda viimistluse kahjustusi, mis tulenevad ebaõigete või mittesoovitatud puhastusvahendite kasutamisest. Teravad või nürid tööriistad kahjustavad viimistlust.

KASUTAGE	ÄRGE KASUTAGE
✓ Pehme, puhas lapp	✗ Abrasiivsed lapid ✗ Paberkäterätid või ajaleht ✗ Terasvillast küürimisnuustikud
✓ Soe seebivesi õrnatoimelise puhastusvahendiga	✗ Abrasiivsed pulbrid või vedelikud ✗ Pihustiga aknapesuvahendid ✗ Ammoniaak ✗ Happelised või äädikapõhised puhastusvahendid ✗ Ahjupuhastusvahendid ✗ Kergestisüttivad vedelikud

**MÄRKUS.** Paberkäterätikud kriimustavad ja võivad muutuda ukse värvitud pinna tuhmiks. Võimalike kahjustuste vältimiseks kasutage uste poleerimiseks ja pühkimiseks ainult pehmeid, puhtaid lappe.

#### Versioon 2 – Roostevaba teras

##### TÄHTIS!

- Kasutage ainult soovitatud roostevaba terase puhastamiseks mõeldud puhastusvahendeid ja lappe. Garantii ei kata roostevaba terase viimistluse kahjustusi, mis tulenevad ebaõigete või mittesoovitatud puhastusvahendite kasutamisest.
- Vältige roostevabast terasest seadmete kontakti leeliseliste või söövitavate ainetega, nt väga soolased, mürad või niisked keskkonnad. Garantii ei hõlma selliste ainete mõjust tulenevaid kahjustusi.

KASUTAGE	ÄRGE KASUTAGE
✓ Pehme, puhas lapp	✗ Abrasiivsed lapid ✗ Paberkäterätid või ajaleht ✗ Terasvillast küürimisnuustikud
✓ Soe seebivesi õrnatoimelise puhastusvahendiga	✗ Abrasiivsed pulbrid või vedelikud ✗ Ammoniaak ✗ Tsitruspõhised puhastusvahendid ✗ Happelised või äädikapõhised puhastusvahendid ✗ Ahjupuhastusvahendid
✓ Ulatusliku määrdumise korral kasutage ainult seadmete puhastamiseks mõeldud roostevaba terase puhastusvahendit. Puhastusvahendi tellimiseks pöörduge edasimüüja poole, kellelt te oma külmiku soetasite.	✗ Roostevaba terase puhastusvahend on mõeldud ainult roostevabast terasest osade puhastamiseks. Vältige roostevaba terase puhastus- ja poleerimisvahendite kokkupuudet plastosadega, nagu liistud, mahutite kaaned või ukseaheldid.

#### Versioon 3 – Sõrmejäljekindel roostevaba

##### TÄHTIS!

- Vältige roostevabast terasest seadmete kontakti leeliseliste või söövitavate ainetega, nt väga soolased, mürad või niisked keskkonnad. Garantii ei hõlma selliste ainete mõjust tulenevaid kahjustusi.

KASUTAGE	ÄRGE KASUTAGE
✓ Pehme, puhas lapp	✗ Abrasiivsed lapid ✗ Paberkäterätid või ajaleht ✗ Terasvillast küürimisnuustikud
✓ Soe seebivesi õrnatoimelise puhastusvahendiga	✗ Abrasiivsed pulbrid või vedelikud ✗ Pihustiga aknapesuvahendid ✗ Ammoniaak ✗ Happelised või äädikapõhised puhastusvahendid ✗ Ahjupuhastusvahendid ✗ Kergestisüttivad vedelikud

##### MÄRKUS.

- Juhusliku kokkupuute korral puhastage plastist osa käsna, õrnatoimelise puhastusvahendi ja sooja veega. Kuivatage hoolikalt pehme lapiga.
- Asjaolu, et puhastusvahend on vedel, ei tähenda seda, et see ei võiks ole abrasivne. Paljud kahhelkivide ja siledade pindade õrnatoimeliseks puhastamiseks mõeldud puhastusvahendid võivad roostevaba terast sellegipoolest kahjustada.
- Sidrunhape põhjustab roostevabal terasel püsivaid värvimuutuseid.
- Vältimaks roostevabast terasest külmiku viimistluse kahjustamist **puhastage kohe alljärgnevalt nimetatud ained viimistluselt:**
  - ✗ Sinep
  - ✗ Tomatimahli
  - ✗ Marinara-kaste
  - ✗ Tsitruspõhised kastmed
  - ✗ Tsitruspõhised tooted

## Sisepindade puhastamine

1. Tõmmake külmiku pistik seinakontaktist välja või lahutage seade vooluvõrgust.
2. Peske käsitsi, loputage ja kuivatage hoolikalt eemaldatavad osad ja sisepinnad. Kasutage puhast käsna või pehmet lappi ning sooja vee ja pehmetoimelise puhastusvahendi lahust.  
**MÄRKUS.** Ärge kasutage plastosade, sisepindade ja uksetihendite puhastamiseks abrasiivseid ja tugevatoimelisi puhastusaineid nagu klaasipuhastusvedelikud, küürimispastad, tuleohtlikud vedelikud, puhastusvahad, kontsentreeritud pesuained, pleegitusvahendid või petrooleumi sisaldavad tooted.
3. Pange külmiku pistik seinakontakti tagasi või taastage toide.

## Kondensaatori puhastamine

Selle külmiku mõlemal pool on kondensaator. See on täiesti normaalne, et külmiku küljed on puudutades soojad.

## Tuled

Külmiku- ja sügavkülmikuseksioonides kasutatakse LED-tulesid, mida ei ole vaja vahetada. Kui ukse avamisel tuled ei sütti, pöörduge edasimüüja poole, kellelt te külmiku soetasite.

## Puhkus ja kolimine

### Puhkus

#### Kui otsustate jätta külmiku puhkuse ajaks sisse lülitatuks

1. Kasutage ära kõik kergestiriknevad toiduained ja külmutage kõik teised.
2. Kui teie külmik on varustatud automaatse jäävalmistajaga ja on ühendatud kodumajapidamise veevärgiga, lahutage külmiku veetoite. Vastasel juhul võivad tagajärjeks olla vara kahjustused.
3. Kui külmikul on automaatne jäävalmistaja, lülitage see välja.
  - Vajutage ukse asuva jäävalmistaja nupp asendisse väljas (O).
4. Tühjendage jäämahuti.

#### Kui otsustate külmiku enne puhkusele minekut välja lülitada

**MÄRKUS.** Lülitage külmik puhkuse ajaks demorežiimile. Vt osa „Nuppude kasutamine“.

1. Võtke kõik toiduained külmikust välja.
2. Kui teie külmikul on automaatne jäävalmistaja:
  - lahutage jäävalmistaja veetoitest vähemalt 1 päev enne, kui lahkute.
  - Kui viimased jäätükid on mahutisse langenud, seadke lüliti asendisse väljas (O). Külmiku sisekülje ülemisel serval olev juhtpaneel kustub (oleneb mudelist).
3. Tühjendage jäämahuti.
4. Lülitage temperatuurinupud välja. Vt osa „Nuppude kasutamine“.
5. Puhastage külmik, pühkige ja kuivatage hoolikalt.
6. Kinnitage teibi abil mõlema ukse ülemisele servale kummist või puidust klotsid, et ukсед jääks piisavalt lahti, et õhk külmikusse pääseks. Nii ei kogune külmikusse ebameeldivaid lõhnu ega teki hallitust.

## Kolimine

Kui viite oma külmiku uude koju, järgige allpool toodud juhiseid kolimiseks ette valmistamiseks.

1. Kui teie külmikul on automaatne jäävalmistaja:
  - lahutage jäävalmistaja veetoitest vähemalt 1 päev enne, kui lahkute.
  - Ühendage lahti külmiku taga olev veeühendus.
  - Kui viimased jäätükid on mahutisse langenud, siis olenevalt mudelist seadke jäävalmistajal või juhtpaneelil olev lüliti asendisse väljas (O).
2. Eemaldage külmikust kõik toiduained ja pakkige kõik külmutatud toiduained kuiva jää sisse.
3. Tühjendage jäämahuti.
4. Lahutage külmik vooluvõrgust.
5. Puhastage, pühkige ja kuivatage hoolikalt.
6. Võtke kõik eemaldatavad osad külmikust välja, pakkige need ära ja pange teibiga kokku, et need ei liiguks ega koliseks teisaldamise ajal.
7. Olenevalt mudelist, tõstke külmiku esiosa, et see veereks kergemalt või tõstke loodimiskruve nii, et need ei kraabiks vastu põrandat. Vt osa „Uste reguleerimine“ või „Külmiku loodimine ja ukse sulgemine“.
8. Teipige ukсед kinni ja toitekaabel külmiku tagaseina külge.

Kui olete uude koju jõudnud, pange kõik tagasi ja külmiku paigaldamisel järgige osas „Paigaldusjuhised“ toodud juhiseid. Kui teie külmik on varustatud automaatse jäävalmistajaga, ärge unustage lahutada külmiku veetoidet.

# VEAOTSING

Enne teenindusse helistamist proovige kõiki siin pakutud lahendusi.

**⚠ HOIATUS!**



**Elektrilöögioht**

Ühendage maandatud seinakontakti.  
 Ärge eemaldage maandusühendust.  
 Ärge kasutage adapterit.  
 Ärge kasutage pikenduskaablit.

Nende juhiste eiramine võib põhjustada surmaga lõppeva õnnetuse, tulekahju või elektrilöögiohu.

Mida teha, kui...	Võimalikud põhjused	Lahendus
<b>Külmiku töö</b>		
Külmik ei tööta.	Kontrollige elektritoidet.	Ühendage toitekaabel maandatud seinakontakti.
		Ärge kasutage pikenduskaablit.
		Veenduge, et seinakontaktis on pinge. Ühendage seinapistikusse lamp, et kontrollida, kas seinapistik töötab.
		Lähtestage rakendunud kaitselüliti. Asendage läbipõlenud kaitse. <b>MÄRKUS.</b> Probleemide püsimisel pöörduge elektriku poole.
	Kontrollige nuppe.	Veenduge, et nupud on sisse lülitatud. Vt osa „Nuppude kasutamine“.
	Äsja paigaldatud.	Andke külmikule paigaldusjärgselt aega 24 tundi täielikuks jahtumiseks. <b>MÄRKUS.</b> Temperatuurinuppude seadmine kõige külmemale sättele ei kiirenda kummagi sektsiooni jahtumist.
	Külmik on lülitatud demorežiimile (mõnede mudelite puhul).	Kui külmik on demorežiimil, lülitatakse jahutus välja ja juhtpaneelil põleb demorežiimi ikoon. Lisateavet vt osast „Nuppude kasutamine“.
Näib, et mootor lülitub liiga sageli sisse.	Suure jõudlusega kompressor ja ventilaatorid.	Suuremate ja tõhusamate külmikute mootorid töötavad kauem ja väiksemal, energiatõhusamal kiirusel.
	Ruumi või väliskeskkonna temperatuur on liiga soe.	Nendes tingimustes on täiesti normaalne, et külmiku mootor töötab kauem. Optimaalse talitluse tagamiseks pange külmik kontrollitava keskkonnaga siseruumi. Vt osa „Nõuded asukohale“.
	Hiljuti on külmikusse pandud suur kogus sooja toitu.	Sooja toidu tõttu töötab külmiku mootor kauem, kuni õhk jahtub soovitud temperatuurini.
	Uks(ed) avatakse liiga sageli või liiga kauaks.	Külmikusse siseneva sooja õhu tõttu töötab mootor kauem. Avage uks harvemini.
	Külmiku uks või sügavkülmiku sahtel on lahti.	Veenduge, et külmik oleks loodis. Vt osa „Külmiku loodimine ja ukse sulgemine“. Jälgige, et toiduained ja mahutid ei blokeeriks ust.
	Külmiku temperatuurisäte on liiga madal.	Seadke temperatuurinupp vähem külmale sättele, kuni külmikus on soovitud temperatuur.
	Ukse või sahtli tihend on saastunud, kulunud või pragunenud.	Puhastage või asendage tihend. Uksetihendi lekkimine võib pikendada külmiku mootori tööaega, et säilitada soovitud temperatuure.

# VEAOTSING

Enne teenindusse helistamist proovige kõiki siin pakutud lahendusi.

Mida teha, kui...	Võimalikud põhjused	Lahendus
Tuled ei tööta.	Teie külmikul on LED-tuled, mis ei vaja vahetamist.	Kui külmik on vooluvõrku ühendatud, kuid ukse või sahtli avamisel tuled ei sütti, helistage teenindusse.
	Uksed on olnud avatud üle 10 minuti.	Lähtestamiseks sulgege ukse ja sahtel ning avage uuesti, et taastada tuled süttimine.
	Ukse lüliti ei tuvasta ukse avamist.	Veenduge, et 7,62 cm raadiuses hinge katted ei ole magnetiga või elektroonilisi seadmeid.
Temperatuuri reguleerimise kasutajaliides ei lülitu sisse.	Temperatuuri reguleerimise kasutajaliides läks unerežiimile.	Temperatuuri reguleerimise kasutajaliidese äratamiseks vajutage ükskõik millisele nupule kasutajaliidesel.
	Temperatuuri reguleerimise kasutajaliidese nupud ei tööta hästi.	Nuppude lähtestamiseks lülitage külmik välja ja siis uuesti sisse. Probleemi püsimisel helistage teenindusse.
	Temperatuuri reguleerimise kasutajaliidesse ei tule toide.	Kontrollige ukse hinges olevat juhtmestikku.
Temperatuuri reguleerimise kasutajaliides ei õnnestu temperatuurisätteid teha.	Uks on lahti ja avatud ukse häire on aktiveeritud.	Sulgege uks.
<b>Ebatavaline heli</b>		
Külmiku normaalsete tööhääle kuulamiseks minge kaubamärgi veebilehe osasse „Tooteabi/KKK“ ja valige „normaalsed tööhääled“. Alljärgnevalt on loetletud mõned normaalsed tööhääled koos selgitustega.		
Külmik teeb liiga suurt müra.	Uue külmiku kompressor reguleerib temperatuuri tõhusamalt, kasutades samas vähem energiat ja töötades vaiksemalt.	Sellisest töömüra vähenemisest tulenevalt võite kuulda ebaharilikke häáli. See on täiesti normaalne.
Kompressor töötab kauem kui võiks arvata.	Suure jõudlusega kompressor ja ventilaatorid.	Suuremate ja tõhusamate külmikute mootorid töötavad kauem ja vaiksemal, energiatõhusamal kiirusel.
Pulseerimine/Vihisemine	Ventilaatorid/kompressor seadistuvad optimaalseks jõudluseks kompressori normaalse talitluse ajal.	See on normaalne.
Plumpsatused	Siseseinte kokkutõmbumine/laienemine, eriti esimese jahtumise ajal.	See on normaalne.
Sisemine/Tilkumine	Külmainevool või õlivool kompressorisse.	See on normaalne.
Vibreerimine	Külmik ei pruugi olla stabiilselt põrandal.	Seadistage loodimiskruve ja langetakse reguleerjalg tugevalt vastu põrandat. Vt osa „Külmiku loodimine ja ukse sulgemine“.
Kõrisemine/Kloppimine	Veetorud liiguvad vastu külmikut või külmiku peale on pandud esemeid.	Pange lahtine veetoru külmikust eemale või kinnitage toru külmiku külge. Vt osa „Veetoitega ühendamine“ või võtke külmiku peal olevad esemed sealt ära.
Sisemine	Vesi tilgub kütteelemendile sulatustsükli ajal.	See on normaalne.
Veesolin/Kuristamine	Võite kuulda siis, kui jää sulab sulatustsükli ajal ja vesi voolab veelusele.	See on normaalne.

# VEAOTSING

Enne teenindusse helistamist proovige kõiki siin pakutud lahendusi.

Mida teha, kui...	Võimalikud põhjused	Lahendus
<b>Temperatuur ja niiskus</b>		
Temperatuur on liiga kõrge.	Külmik on äsja paigaldatud.	Andke külmikule paigaldusjärgselt aega 24 tundi täielikuks jahtumiseks.
	Temperatuurisätteid ei ole seatud õigesti ümbritsevate tingimuste jaoks.	Seadke temperatuur külmemaks. Kontrollige temperatuuri 24 tunni möödumisel. Vt osa „Nuppude kasutamine“.
	Uks(ed) avatakse sageli või ei ole täielikult suletud. Soe õhk satub külmikusse.	Avage harvem uksi ja hoidke ukсед täiesti kinni.
	Külmikusse pandi äsja suur kogus toitu.	Külmiku tavatemperatuuri taastamiseks kulub mitu tundi.
	Demorežiim on sisse lülitatud.	Lülitage demorežiim välja. Vt osa „Nuppude kasutamine“.
	Puhkuserežiim on sisse lülitatud.	Lülitage puhkuserežiim välja. Vt osa „Nuppude kasutamine“.
Külmikus/puu- ja köögiviljasahtlis on liiga külm temperatuur.	Külmiku ventilatsiooniava(d) on tõkestatud.	Kui külmikusektsiooni taga, keskel asuv ventilatsiooniava on blokeeritud otse selle ette pandud esemetega, läheb külmik liiga külmaks. Liigutage esemed ventilatsiooniavast eemale.
	Temperatuurisätteid ei ole seatud õigesti ümbritsevate tingimuste jaoks.	Seadke temperatuur soojemaks. Kontrollige temperatuuri 24 tunni möödumisel. Vt osa „Nuppude kasutamine“.
	Jäämahuti ei ole õiges asendis.	Vt osa „Jäävalmistaja ja jäämahuti“.
Reguleeritava temperatuuriga sahtlis on temperatuur liiga külm.	Temperatuur ei ole seatud õigele sättele sahtlis hoitavate toiduainete jaoks.	Muutke temperatuurisätteid. Vt peatükki „Nuppude kasutamine“ osas „Külmiku kasutamine“.
Külmikusse on kogunenud niiskus. <b>MÄRKUS.</b> Mõningane niiskuse kogunemine on normaalne.	Ruum on niiske.	Niiske keskkond soodustab niiskuse kogunemist.
	Uks(ed) avatakse sageli või ei ole täielikult suletud. Niiske õhk satub külmikusse.	Avage harvem uksi ja hoidke ukсед täiesti kinni.
	Ukse (uste) sulgumine on takistatud.	Liigutage toiduained uksest eemale.
	Mahuti või riiul jääb ette.	Lükake mahuti või riiul õigesse asendisse tagasi.
	Vedelike hoidmine lahtistes mahutites.	See suurendab niiskustaset külmikus. Hoidke kõik mahutid tihedalt kinni.
Sügavkülmikusektsiooni on kogunenud härmatis/jää.	Ust avatakse liiga sageli või uks on lahti jäetud.	Avage harvem uksi ja sulgege sahtel korralikult.
	Uksetihend on kahjustunud.	Veenduge, et uksetihend on täielikus kontaktis külmikuga, et tagada piisav tihendus.
	Temperatuurisätteid ei ole õiged.	Soovituslikud temperatuurisätteid leiate osast „Nuppude kasutamine“.

# VEAOTSING

Enne teenindusse helistamist proovige kõiki siin pakutud lahendusi.

**⚠ HOIATUS!**



**Plahvatusoht**  
**Kasutage mittesüttivat puhastusvahendit.**  
**Selle nõude eiramine võib põhjustada surma või plahvatusega lõppeva õnnetuse või tulekahju.**

Animatsiooni vaatamiseks uste reguleerimise ja loodimise kohta minge kaubamärgi veebilehe osasse „Tooteabi/KKK“ ja valige „Ukse sulgemine ja ukse loodimine“.

Mida teha, kui...	Võimalikud põhjused	Lahendus
<b>Uksed</b>		
Uksed ei lähe korralikult kinni.	Ukse sulgemine on takistatud.	Liigutage toiduained uksest eemale.
	Mahuti või riiul jääb ette.	Lükake mahuti või riiul õigesse asendisse tagasi.
	Hiljuti paigaldatud	Eemaldage kõik pakkematerjalid.
Uksed avanevad raskelt.	Uksetihendid on saastunud või kleepuvad.	Puhastage tihendid ja kontaktpinnad õrnatoimelise seebi ja sooja veega. Loputage ja kuivatage pehme lapiga.
Uksed on viltu.	Uksed vajavad joondamist või külmik loodimist.	Uste joondamiseks pöörduge teeninduse poole.
Külmik on ebastabiilne või kaldub ette ukse avamisel või sulgemisel.	Külmiku tugijalad ei ole tugevalt vastu põrandat.	Keerake mõlemat tugijalga (üks mõlemal pool) võrdselt vastupäeva, kuni need on tugevalt vastu põrandat. Vt osa „Külmiku loodimine ja ukse sulgemine“.



## Πίνακας περιεχομένων

<b>ΑΣΦΑΛΕΙΑ ΨΥΓΕΙΟΥ</b> .....	<b>394</b>
Σωστή απόρριψη του παλιού σας ψυγείου .....	397
<b>ΕΞΑΡΤΗΜΑΤΑ ΚΑΙ ΛΕΙΤΟΥΡΓΙΕΣ</b> .....	<b>398</b>
<b>ΟΔΗΓΙΕΣ ΕΓΚΑΤΑΣΤΑΣΗΣ</b> .....	<b>399</b>
Έναρξη χρήσης .....	399
Αποσυσκευασία του ψυγείου .....	399
Απαιτήσεις χώρου .....	400
Ηλεκτρικές απαιτήσεις .....	400
Αφαίρεση και επανατοποθέτηση πόρτας ψυγείου .....	402
Αφαίρεση και επανατοποθέτηση πόρτας καταψύκτη/κατάψυξης Flexi .....	404
Οριζοντίωση του ψυγείου .....	405
Χρήση των χειριστηρίων .....	406
Φως ψυγείου .....	407
<b>ΧΡΗΣΗ ΤΟΥ ΨΥΓΕΙΟΥ</b> .....	<b>408</b>
Άνοιγμα και κλείσιμο πόρτας .....	408
Συντήρηση τροφίμων .....	408
<b>ΡΑΦΙΑ, ΔΟΧΕΙΑ ΚΑΙ ΣΥΡΤΑΡΙΑ</b> .....	<b>409</b>
Θάλαμοι συντήρησης καταψύκτη .....	410
Πληροφορίες σχετικά με τον ήχο .....	410
Εξαρτήματα .....	410
Υποστήριξη ή σέρβις .....	410
<b>ΦΡΟΝΤΙΔΑ ΨΥΓΕΙΟΥ</b> .....	<b>411</b>
Καθαρισμός .....	411
Φώτα .....	412
Φροντίδα κατά τις διακοπές και τη μεταφορά .....	412
<b>ΑΝΤΙΜΕΤΩΠΙΣΗ ΠΡΟΒΛΗΜΑΤΩΝ</b> .....	<b>413</b>

# ΑΣΦΑΛΕΙΑ ΨΥΓΕΙΟΥ

**Η προσωπική σας ασφάλεια και η ασφάλεια άλλων ατόμων είναι πολύ σημαντική.**

Έχουμε συμπεριλάβει πολλά σημαντικά μηνύματα ασφαλείας στο εγχειρίδιο αυτό και στη συσκευή σας. Διαβάζετε και τηρείτε πάντα όλα τα μηνύματα ασφαλείας.



Αυτό είναι το σύμβολο προειδοποίησης για την ασφάλεια.

Το σύμβολο αυτό σας προειδοποιεί για πιθανούς κινδύνους που μπορεί να οδηγήσουν στον θάνατο ή τον τραυματισμό του χρήστη και άλλων ατόμων.

Πριν από όλα τα μηνύματα ασφαλείας υπάρχει το σύμβολο προειδοποίησης για την ασφάλεια και ο όρος «ΚΙΝΔΥΝΟΣ» ή «ΠΡΟΕΙΔΟΠΟΙΗΣΗ». Οι όροι αυτοί σημαίνουν τα εξής:

 **ΚΙΝΔΥΝΟΣ**

Εάν δεν ακολουθήσετε αμέσως τις οδηγίες, μπορεί να προκληθεί θάνατος ή σοβαρός τραυματισμός.

 **ΠΡΟΕΙΔΟΠΟΙΗΣΗ**

Εάν δεν ακολουθήσετε τις οδηγίες, μπορεί να προκληθεί θάνατος ή σοβαρός τραυματισμός.

Όλα τα μηνύματα ασφαλείας σας ενημερώνουν σχετικά με τους πιθανούς κινδύνους, τον τρόπο μείωσης των πιθανοτήτων τραυματισμού και τις συνέπειες σε περίπτωση μη τήρησης των οδηγιών.

## ΟΔΗΓΙΕΣ ΑΣΦΑΛΕΙΑΣ

Πριν από τη χρήση της συσκευής, διαβάστε αυτές τις οδηγίες ασφαλείας. Φυλάξτε τις σε κοντινό σημείο για μελλοντική αναφορά. Οι οδηγίες αυτές και η ίδια η συσκευή περιλαμβάνουν σημαντικές προειδοποιήσεις σχετικά με την ασφάλεια, τις οποίες πρέπει να τηρείτε σε κάθε περίπτωση. Ο κατασκευαστής δεν αναλαμβάνει καμία ευθύνη για βλάβες λόγω μη τήρησης αυτών των οδηγιών ασφαλείας, για ακατάλληλη χρήση της συσκευής ή για εσφαλμένη ρύθμιση των χειριστηρίων.

⚠ Τα πολύ μικρά παιδιά (0-3 ετών) δεν πρέπει να πλησιάζουν τη συσκευή. Τα μικρά παιδιά (3-8 ετών) δεν πρέπει να πλησιάζουν τη συσκευή, εκτός εάν επιτηρούνται διαρκώς. Τα παιδιά ηλικίας 8 ετών και άνω και τα άτομα με μειωμένες σωματικές, αισθητήριες ή διανοητικές ικανότητες ή με έλλειψη εμπειρίας και γνώσεων μπορούν να χρησιμοποιούν αυτήν τη συσκευή μόνο εφόσον βρίσκονται υπό επιτήρηση ή έχουν λάβει οδηγίες σχετικά με την ασφαλή χρήση της συσκευής και κατανοούν τους σχετικούς κινδύνους. Τα παιδιά δεν πρέπει να παίζουν με τη συσκευή. Ο καθαρισμός και η συντήρηση χρήστη δεν πρέπει να πραγματοποιούνται από παιδιά χωρίς επιτήρηση.

### ΕΠΙΤΡΕΠΟΜΕΝΗ ΧΡΗΣΗ

⚠ ΠΡΟΣΟΧΗ: Η συσκευή δεν προορίζεται για λειτουργία μέσω εξωτερικής συσκευής ενεργοποίησης, όπως χρονοδιακόπτη, ή ξεχωριστού συστήματος απομακρυσμένου ελέγχου.

⚠ Η συσκευή αυτή προορίζεται για οικιακή χρήση και παρόμοιες εφαρμογές όπως: σε κουζίνες προσωπικού καταστημάτων, γραφείων και άλλων χώρων εργασίας, σε αγροκτήματα, από πελάτες σε ξενοδοχεία, πανδοχεία, πανδοχεία τύπου «bed and breakfast» και άλλους χώρους διαμονής.

⚠ Η συσκευή αυτή δεν προορίζεται για επαγγελματική χρήση. Μη χρησιμοποιείτε τη συσκευή σε εξωτερικό χώρο.

⚠ Η συσκευή έχει σχεδιαστεί για λειτουργία σε χώρο όπου η θερμοκρασία περιβάλλοντος κυμαίνεται εντός του παρακάτω εύρους τιμών, ανάλογα με την κλιματική κατηγορία που αναγράφεται στην πινακίδα τεχνικών στοιχείων. Η συσκευή μπορεί να μη λειτουργεί σωστά, εάν παραμείνει για μεγάλο χρονικό διάστημα σε θερμοκρασία εκτός του εύρους τιμών που καθορίζεται.

Κλιματική κατηγορία Θερμ. περιβ. (°C)

SN: Από 10 έως 32°C N: Από 16 έως 32°C

ST: Από 16 έως 38°C T: Από 16 έως 43°C

⚠ Η συσκευή αυτή δεν περιέχει CFC. Το ψυκτικό κύκλωμα περιέχει R600a (HC). Συσκευές με ισοβουτάνιο (R600a): το ισοβουτάνιο είναι ένα φυσικό αέριο χωρίς αρνητικές επιπτώσεις στο περιβάλλον, το οποίο είναι ωστόσο εύφλεκτο. Επομένως, βεβαιωθείτε ότι οι σωλήνες του ψυκτικού κυκλώματος δεν έχουν υποστεί ζημιά, ειδικά κατά την εκκένωση του ψυκτικού κυκλώματος.

## ΣΗΜΑΝΤΙΚΕΣ ΠΛΗΡΟΦΟΡΙΕΣ ΠΟΥ ΠΡΕΠΕΙ ΝΑ ΔΙΑΒΑΣΕΤΕ ΚΑΙ ΝΑ ΤΗΡΕΙΤΕ

⚠ ΠΡΟΕΙΔΟΠΟΙΗΣΗ: Μην προκαλείτε ζημιές στους σωλήνες του ψυκτικού κυκλώματος της συσκευής.

⚠ ΠΡΟΕΙΔΟΠΟΙΗΣΗ: Τα ανοίγματα εξαερισμού στο περίβλημα της συσκευής ή στο έπιπλο εντοιχισμού δεν πρέπει να είναι φραγμένα.

⚠ ΠΡΟΕΙΔΟΠΟΙΗΣΗ: Μη χρησιμοποιείτε διαφορετικά μηχανικά, ηλεκτρικά ή χημικά μέσα από αυτά που συνιστώνται από τον κατασκευαστή για να επιταχύνετε τη διαδικασία απόψυξης.

⚠ ΠΡΟΕΙΔΟΠΟΙΗΣΗ: Μη χρησιμοποιείτε και μη τοποθετείτε ηλεκτρικές συσκευές στο εσωτερικό των θαλάμων της συσκευής, εάν δεν είναι του τύπου που συνιστάται ρητά από τον κατασκευαστή.

⚠ ΠΡΟΕΙΔΟΠΟΙΗΣΗ: Οι παρασκευαστές πάγου ή/ και οι διανομείς νερού που δεν είναι απευθείας συνδεδεμένοι στο δίκτυο ύδρευσης πρέπει να γεμίζουν μόνο με πόσιμο νερό.

⚠ ΠΡΟΕΙΔΟΠΟΙΗΣΗ: Οι παρασκευαστές πάγου ή/ και οι διανομείς νερού πρέπει να συνδέονται σε δίκτυο ύδρευσης που παρέχει αποκλειστικά και μόνο πόσιμο νερό, με πίεση κεντρικού δικτύου ύδρευσης από 0,17 έως 0,81 MPa (1,7 έως 8,1 bar).

⚠ Μην αποθηκεύετε στη συσκευή αυτή εκρηκτικές ουσίες, όπως δοχεία αεροζόλ με εύφλεκτο προωθητικό μέσο.

⚠ Μην καταπίνετε το υγρό (μη τοξικό) που περιέχουν οι παγοκύστες (παρέχονται σε ορισμένα μοντέλα). Μην τρώτε παγάκια ή γρανίτες αμέσως μετά την αφαίρεσή τους από τον καταψύκτη, καθώς υπάρχει κίνδυνος ψυχρών εγκαυμάτων.

⚠ Για προϊόντα που χρησιμοποιούν βάσει σχεδιασμού φίλτρο αέρα στο εσωτερικό προσβάσιμου καλύμματος ανεμιστήρα, το φίλτρο πρέπει να βρίσκεται πάντα στη θέση του όταν το ψυγείο λειτουργεί.

⚠ Μην αποθηκεύετε στον θάλαμο του καταψύκτη γυάλινα δοχεία με υγρά, καθώς υπάρχει κίνδυνος θραύσης. Μην φράζετε τον ανεμιστήρα (εάν περιλαμβάνεται) με τρόφιμα. Μετά την τοποθέτηση των τροφίμων, βεβαιωθείτε ότι η πόρτα των θαλάμων κλείνει καλά, ειδικά του καταψύκτη.

⚠ Τα φθαρμένα λάστιχα πρέπει να αντικαθίστανται το συντομότερο δυνατόν.

⚠ Χρησιμοποιείτε τον θάλαμο ψυγείου μόνο για τη συντήρηση φρέσκων τροφίμων και τον θάλαμο καταψύκτη μόνο για τη συντήρηση κατεψυγμένων τροφίμων ή την κατάψυξη φρέσκων τροφίμων, καθώς και για παγάκια.

⚠ Αποφεύγετε τη συντήρηση μη συσκευασμένων τροφίμων σε απευθείας επαφή με τις εσωτερικές επιφάνειες των θαλάμων ψυγείου ή καταψύκτη. Οι συσκευές μπορεί να έχουν ειδικούς θαλάμους («μηδενικών βαθμών» κλπ.). Εάν δεν αναφέρεται διαφορετικά στο ειδικό εγχειρίδιο του προϊόντος, μπορούν να αφαιρεθούν, χωρίς να μεταβληθεί η απόδοση.

## ΕΓΚΑΤΑΣΤΑΣΗ

⚠ Η μετακίνηση και η εγκατάσταση της συσκευής πρέπει να γίνει από δύο ή περισσότερα άτομα - κίνδυνος τραυματισμού. Χρησιμοποιείτε προστατευτικά γάντια για την αποσυσκευασία και την εγκατάσταση - κίνδυνος κοπής.

⚠ Η εγκατάσταση, συμπεριλαμβανομένης της παροχής νερού (εάν διατίθεται) και των ηλεκτρικών συνδέσεων, και οι επισκευές πρέπει να πραγματοποιούνται από εξειδικευμένο τεχνικό. Μην επισκευάζετε και μην αντικαθιστάτε κανένα εξάρτημα της συσκευής, εκτός εάν αναφέρεται ρητά στο εγχειρίδιο χρήστη. Κρατάτε τα παιδιά μακριά από τον χώρο εγκατάστασης.

Μετά την αποσυσκευασία της συσκευής, βεβαιωθείτε ότι η συσκευή δεν έχει υποστεί ζημιά κατά τη μεταφορά. Εάν υπάρχει κάποιο πρόβλημα, επικοινωνήστε με τον αντιπρόσωπο ή με το πλησιέστερο κέντρο εξυπηρέτησης πελατών. Μετά την εγκατάσταση, τα απορρίμματα της συσκευασίας (πλαστικά, φελιζόλ κλπ.) πρέπει να αποθηκεύονται μακριά από τα παιδιά - κίνδυνος ασφυξίας. Η συσκευή πρέπει να αποσυνδέεται από την τροφοδοσία πριν από κάθε εργασία εγκατάστασης - κίνδυνος ηλεκτροπληξίας. Κατά την εγκατάσταση, βεβαιωθείτε ότι δεν έχει προκληθεί ζημιά στο καλώδιο τροφοδοσίας από τη συσκευή - κίνδυνος φωτιάς ή ηλεκτροπληξίας. Ενεργοποιείτε τη συσκευή μόνο όταν η εγκατάσταση έχει ολοκληρωθεί.

⚠ Κατά τη μετακίνηση της συσκευής απαιτείται προσοχή, ώστε να μην προκληθεί ζημιά στο δάπεδο (π.χ. παρκέ). Εγκαταστήστε τη συσκευή σε δάπεδο ή βάση που μπορεί να αντέξει το βάρος της και σε χώρο κατάλληλο για το μέγεθος και τη χρήση της. Βεβαιωθείτε ότι η συσκευή δεν βρίσκεται κοντά σε πηγή θερμότητας και ότι τα τέσσερα ποδαράκια είναι σταθερά και ότι στηρίζονται στο δάπεδο. Εάν απαιτείται, ρυθμίστε τα και ελέγξτε εάν η συσκευή είναι τοποθετημένη σε απόλυτα οριζόντια θέση με ένα αλφάδι. Περιμένετε τουλάχιστον δύο ώρες πριν θέσετε σε λειτουργία τη συσκευή, ώστε να διασφαλιστεί πλήρης απόδοση του ψυκτικού κυκλώματος.

⚠ Για να διασφαλιστεί επαρκής εξαερισμός, αφήστε απόσταση στις δύο πλευρές και πάνω από τη συσκευή. Η απόσταση ανάμεσα στο πίσω μέρος της συσκευής και τον τοίχο πίσω από τη συσκευή πρέπει να είναι 50mm, ώστε να αποφευχθεί η πρόσβαση σε ζεστές επιφάνειες. Εάν η απόσταση αυτή είναι μικρότερη, θα αυξηθεί η ενεργειακή κατανάλωση του προϊόντος.

⚠ ΠΡΟΕΙΔΟΠΟΙΗΣΗ: Για να αποφευχθούν κίνδυνοι λόγω αστάθειας, η τοποθέτηση ή η στερέωση της συσκευής πρέπει να γίνεται σύμφωνα με τις οδηγίες του κατασκευαστή. Απαγορεύεται η τοποθέτηση του ψυγείου με τέτοιο τρόπο ώστε ο μεταλλικός σωλήνας της θερμάστρας αερίου, οι μεταλλικοί σωλήνες αερίου ή νερού ή τα ηλεκτρικά καλώδια να βρίσκονται σε επαφή με το πίσω τοίχωμα του ψυγείου (σπείρα συμπυκνωτή).

⚠ Εάν πρέπει να αντικατασταθούν οι πόρτες, επικοινωνήστε με το Τεχνικό κέντρο υποστήριξης.  
**ΠΡΟΕΙΔΟΠΟΙΗΣΕΙΣ ΓΙΑ ΤΗΝ ΗΛΕΚΤΡΙΚΗ ΤΡΟΦΟΔΟΣΙΑ**

⚠ Πρέπει να είναι δυνατή η αποσύνδεση της συσκευής από την τροφοδοσία μέσω αποσύνδεσης του καλωδίου εάν το φις είναι προσβάσιμο ή μέσω πολυπολικού διακόπτη εγκατεστημένου πριν από την πρίζα βάσει των κανονισμών καλωδίωσης. Η συσκευή πρέπει να είναι γειωμένη σύμφωνα με τα εθνικά πρότυπα ηλεκτρικής ασφάλειας.

⚠ Μη χρησιμοποιείτε προεκτάσεις, πολύπριζα ή προσαρμογείς. Μετά την ολοκλήρωση της εγκατάστασης, δεν πρέπει να είναι δυνατή η πρόσβαση στα ηλεκτρικά εξαρτήματα. Μη χρησιμοποιείτε τη συσκευή όταν έχετε βρεγμένα μέρη του σώματος ή γυμνά πόδια. Μη χρησιμοποιείτε τη συσκευή αυτή εάν έχει φθαρεί το καλώδιο τροφοδοσίας ή το φις, εάν δεν λειτουργεί σωστά, εάν έχει υποστεί άλλη ζημιά ή εάν έχει πέσει.

⚠ Εάν το καλώδιο τροφοδοσίας έχει υποστεί ζημιά, πρέπει να αντικατασταθεί από ίδιο καλώδιο από τον κατασκευαστή, τον αντιπρόσωπο σέρβις ή άλλα παρόμοια καταρτισμένα άτομα, ώστε να αποφευχθούν κίνδυνοι - κίνδυνος ηλεκτροπληξίας.

⚠ ΠΡΟΕΙΔΟΠΟΙΗΣΗ: Κατά την τοποθέτηση της συσκευής, βεβαιωθείτε ότι το καλώδιο τροφοδοσίας δεν έχει παγιδευτεί ή ότι δεν έχει υποστεί ζημιά.

⚠ ΠΡΟΕΙΔΟΠΟΙΗΣΗ: Μην τοποθετείτε πολύπριζα ή φορητά τροφοδοτικά στο πίσω μέρος της συσκευής.

## ΚΑΘΑΡΙΣΜΟΣ ΚΑΙ ΣΥΝΤΗΡΗΣΗ

⚠ ΠΡΟΕΙΔΟΠΟΙΗΣΗ: Βεβαιωθείτε ότι η συσκευή είναι απενεργοποιημένη και αποσυνδεδεμένη από την τροφοδοσία πριν από την εκτέλεση εργασιών συντήρησης. Μη χρησιμοποιείτε ποτέ εξοπλισμό καθαρισμού με ατμό - κίνδυνος ηλεκτροπληξίας.

⚠ Μη χρησιμοποιείτε αποξεστικά ή ισχυρά καθαριστικά, όπως σπρέι για τα τζάμια, καθαριστικά τριβής, εύφλεκτα υλικά, καθαριστικά με κερί, συμπυκνωμένα απορρυπαντικά, χλωρίνες ή καθαριστικά που περιέχουν προϊόντα πετρελαίου στα πλαστικά και εσωτερικά μέρη, στις επενδύσεις της πόρτας ή στα λάστιχα. Μη χρησιμοποιείτε χαρτί κουζίνας, συρμάτινα σφουγγάρια ή άλλα σκληρά εργαλεία καθαρισμού.


## ΑΠΟΡΡΙΨΗ ΥΛΙΚΩΝ ΣΥΣΚΕΥΑΣΙΑΣ

Τα υλικά της συσκευασίας είναι 100% ανακυκλώσιμα και φέρουν το σύμβολο της ανακύκλωσης ♻.

Συνεπώς, τα διάφορα μέρη της συσκευασίας πρέπει να απορρίπτονται κατάλληλα και σύμφωνα με τους τοπικούς κανονισμούς για την απόρριψη αποβλήτων.

## ΑΠΟΡΡΙΨΗ ΟΙΚΙΑΚΩΝ ΣΥΣΚΕΥΩΝ

Η συσκευή αυτή έχει κατασκευαστεί από ανακυκλώσιμα ή επαναχρησιμοποιούμενα υλικά. Η απόρριψη της συσκευής πρέπει να γίνεται σύμφωνα με τους τοπικούς κανονισμούς απόρριψης αποβλήτων. Για περαιτέρω πληροφορίες σχετικά με την επεξεργασία, τη συλλογή και την ανακύκλωση οικιακών ηλεκτρικών συσκευών, επικοινωνήστε με τις τοπικές αρχές, την υπηρεσία αποκομιδής οικιακών απορριμμάτων ή το κατάστημα πώλησης της συσκευής. Αυτή η συσκευή φέρει σήμανση σύμφωνα με την ευρωπαϊκή οδηγία 2012/19/ΕΕ σχετικά με τα απόβλητα ειδών ηλεκτρικού και ηλεκτρονικού εξοπλισμού (ΑΗΗΕ). Η σωστή διάθεση του προϊόντος αυτού συμβάλλει στην αποφυγή αρνητικών συνεπειών για το περιβάλλον και την υγεία του ανθρώπου.

Το σύμβολο  στο προϊόν ή στα συνοδευτικά έγγραφα υποδεικνύει ότι το προϊόν δεν πρέπει να υποβάλλεται σε επεξεργασία όπως τα οικιακά απόβλητα, αλλά να παραδίδεται στο ειδικό κέντρο συλλογής για την ανακύκλωση ειδών ηλεκτρικού και ηλεκτρονικού εξοπλισμού..

### ΣΥΜΒΟΥΛΕΣ ΕΞΟΙΚΟΝΟΜΗΣΗΣ ΕΝΕΡΓΕΙΑΣ

Εγκαταστήστε τη συσκευή σε στεγνό και καλά αεριζόμενο χώρο, μακριά από οποιαδήποτε πηγή θερμότητας (π.χ. καλοριφέρ, κουζίνα κλπ.) και σε χώρο που δεν εκτίθεται απευθείας στον ήλιο. Εάν απαιτείται, χρησιμοποιήστε μονωτική πλάκα.

Για να διασφαλιστεί κατάλληλος εξαερισμός, ακολουθήστε τις οδηγίες εγκατάστασης. Ο ανεπαρκής εξαερισμός στο πίσω μέρος του προϊόντος αυξάνει την κατανάλωση ενέργειας και μειώνει την απόδοση ψύξης.

Το συχνό άνοιγμα της πόρτας μπορεί να προκαλέσει αύξηση της κατανάλωσης ενέργειας. Η εσωτερική θερμοκρασία της συσκευής και η κατανάλωση ενέργειας μπορεί να επηρεαστούν επίσης από τη θερμοκρασία περιβάλλοντος, καθώς και από τη θέση της συσκευής. Πρέπει να λαμβάνετε υπόψη αυτούς τους παράγοντες για τη ρύθμιση της θερμοκρασίας.

Περιορίστε το άνοιγμα της πόρτας στο ελάχιστο.

Για να ξεπαγώσετε κατεψυγμένα τρόφιμα, τοποθετήστε τα στο ψυγείο. Η χαμηλή θερμοκρασία των κατεψυγμένων προϊόντων ψύχει τα τρόφιμα στο ψυγείο. Αφήστε τα ζεστά τρόφιμα και ποτά να κρυώσουν πριν τα τοποθετήσετε στη συσκευή.

Η τοποθέτηση των ραφιών στο ψυγείο δεν επηρεάζει την αποτελεσματική χρήση της ενέργειας. Τα τρόφιμα πρέπει να τοποθετούνται στα ράφια με τέτοιο τρόπο ώστε να διασφαλίζεται η σωστή κυκλοφορία του αέρα (τα τρόφιμα δεν πρέπει να έρχονται σε επαφή μεταξύ τους και πρέπει να υπάρχει απόσταση ανάμεσα στα τρόφιμα και το πίσω τοίχωμα).

Μπορείτε να αυξήσετε τη χωρητικότητα συντήρησης κατεψυγμένων τροφίμων αφαιρώντας τα καλάθια και, το ράφι Stop Frost, εάν υπάρχει. Μην ανησυχείτε για τους θορύβους που προέρχονται από τον συμπιεστή, οι οποίοι περιγράφονται ως φυσιολογικοί θόρυβοι στον Σύντομο οδηγό του προϊόντος.



## Σωστή απόρριψη του παλιού σας ψυγείου

### ΠΡΟΕΙΔΟΠΟΙΗΣΗ

#### Κίνδυνος ασφυξίας

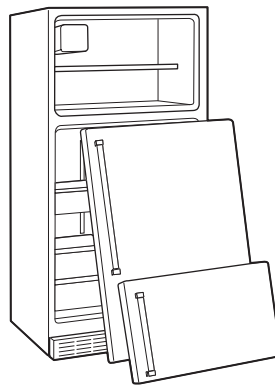
**Αφαιρέστε τις πόρτες από το παλιό ψυγείο.**

**Διαφορετικά, μπορεί να προκληθεί θάνατος ή εγκεφαλική βλάβη.**

**ΣΗΜΑΝΤΙΚΟ:** Υπάρχει πάντα κίνδυνος παγίδευσης και ασφυξίας των παιδιών. Τα ψυγεία που έχουν αποσυρθεί ή εγκαταλειφθεί εξακολουθούν να είναι επικίνδυνα—ακόμη και αν παραμένουν στον χώρο «για λίγες μόνο μέρες». Για την απόρριψη του παλιού σας ψυγείου, ακολουθήστε αυτές τις οδηγίες ώστε να αποφευχθούν ατυχήματα.

**Πριν από την απόρριψη του παλιού σας ψυγείου ή καταψύκτη:**

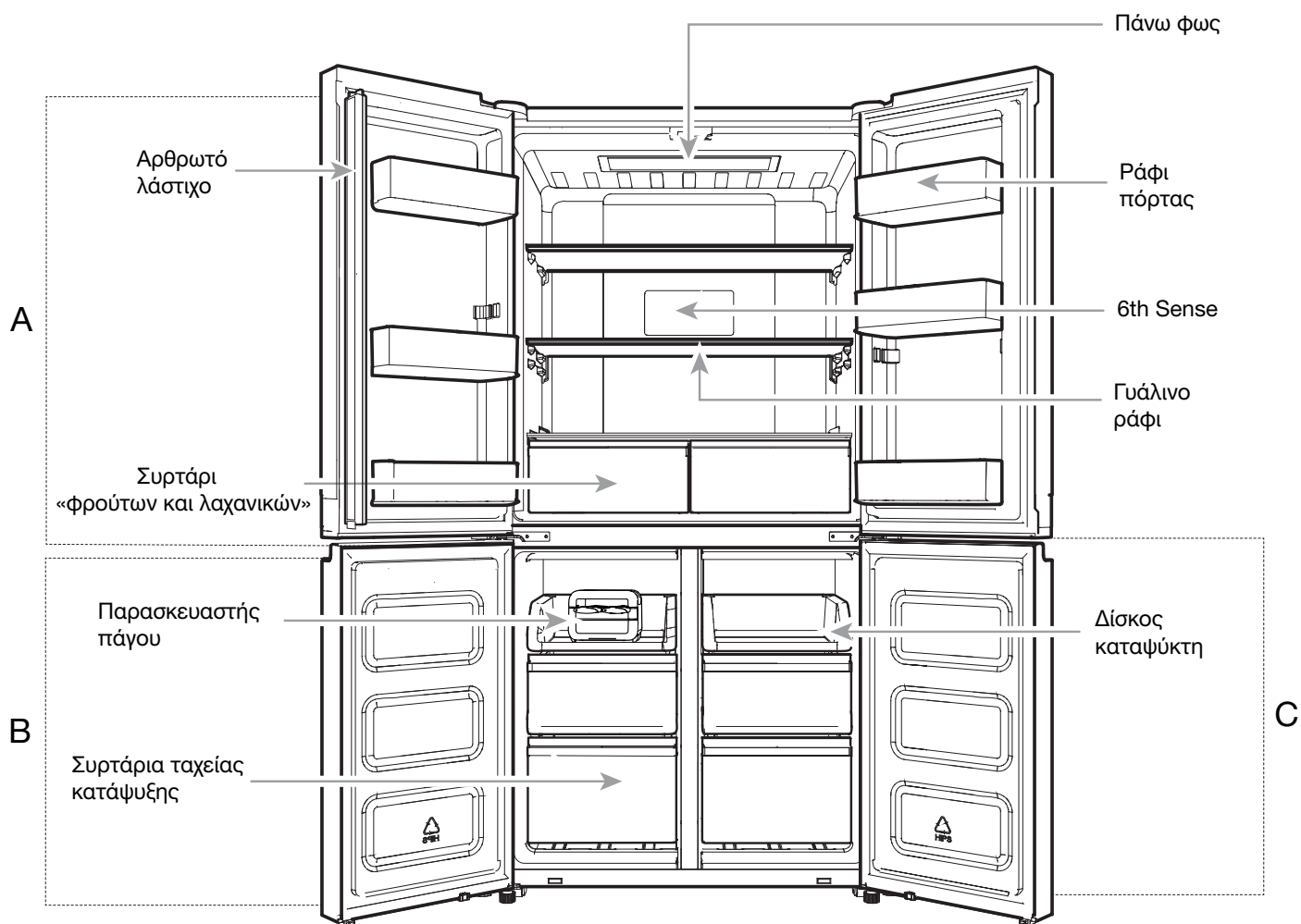
- Αφαιρέστε τις πόρτες.
- Αφήστε τα ράφια στη θέση τους ώστε τα παιδιά να μην μπορούν να μπουν εύκολα στο εσωτερικό της συσκευής.



### **Σημαντικές πληροφορίες που πρέπει να γνωρίζετε σχετικά με την απόρριψη του ψυκτικού:**

Η απόρριψη του ψυκτικού πρέπει να γίνεται σύμφωνα με τους ομοσπονδιακούς και τοπικούς κανονισμούς. Η εκκένωση της συσκευής από το ψυκτικό πρέπει να γίνεται από εξουσιοδοτημένο ψυκτικό τεχνικό σύμφωνα με τις καθιερωμένες διαδικασίες.

# ΕΞΑΡΤΗΜΑΤΑ ΚΑΙ ΛΕΙΤΟΥΡΓΙΕΣ



- A . Ψυγείο
- B . Καταψύκτης
- C . Κατάψυξη Flexi (μόνο για WQ9 B1L, 6WM591NIHAS και WQ70900SXX)

# ΟΔΗΓΙΕΣ ΕΓΚΑΤΑΣΤΑΣΗΣ

## Έναρξη χρήσης ΛΙΣΤΑ ΕΛΕΓΧΟΥ ΕΓΚΑΤΑΣΤΑΣΗΣ

✓ Ηλεκτρική τροφοδοσία

### ⚠ ΠΡΟΕΙΔΟΠΟΙΗΣΗ



#### Κίνδυνος ηλεκτροπληξίας

**Συνδέστε τη συσκευή σε γειωμένη πρίζα.**

**Μην αφαιρείτε την ακίδα γείωσης.**

**Μη χρησιμοποιείτε προσαρμογέα.**

**Μη χρησιμοποιείτε καλώδιο πρόεκτασης.**

**Η μη τήρηση αυτών των οδηγιών μπορεί να οδηγήσει σε θάνατο, φωτιά ή ηλεκτροπληξία.**

■ Συνδέστε το ψυγείο σε γειωμένη πρίζα.

#### ✓ Πόρτες

■ Εάν οι πόρτες πρέπει να αφαιρεθούν κατά την εγκατάσταση, ανατρέξτε στις ενότητες «Αφαίρεση και επανατοποθέτηση πόρτας ψυγείου» και «Αφαίρεση και επανατοποθέτηση μπροστινής πλευράς πόρτας καταψύκτη».

■ Σφραγίστε τις πόρτες πλήρως.

■ Το ψυγείο είναι τοποθετημένο σε οριζόντια θέση. Ρυθμίστε τα πόδια οριζοντίωσης ώστε να έρχονται σε επαφή με το έδαφος.

■ Οι πόρτες είναι ευθυγραμμισμένες στο πάνω μέρος. (Χρησιμοποιήστε τη δυνατότητα ευθυγράμμισης πόρτας, εάν απαιτείται).

#### ✓ Τελικοί έλεγχοι

■ Αφαιρέστε όλα τα υλικά συσκευασίας.

■ Ρυθμίστε τα χειριστήρια θερμοκρασίας στη συνιστώμενη ρύθμιση.

■ Φυλάξτε τις οδηγίες και άλλα εγχειρίδια.

■ Για να λάβετε πιο ολοκληρωμένη υποστήριξη, καταχωρίστε το προϊόν σας στη διεύθυνση [www.whirlpool.eu/register](http://www.whirlpool.eu/register).

## Αποσυσκευασία του ψυγείου

### ⚠ ΠΡΟΕΙΔΟΠΟΙΗΣΗ

**Κίνδυνος λόγω υπερβολικά μεγάλου βάρους**

**Για την ανύψωση της πόρτας του ψυγείου απαιτούνται δύο ή περισσότερα άτομα.**

**Διαφορετικά, μπορεί να προκληθούν τραυματισμοί στη μέση ή άλλοι τραυματισμοί.**

#### Παράδοση ψυγείου

Απαιτείται ελάχιστο άνοιγμα πόρτας 838 mm (33"). Εάν το άνοιγμα της πόρτας είναι 914 mm (36") ή μικρότερο, τότε πρέπει να αφαιρεθούν οι πόρτες, το συρτάρι και οι μεντεσέδες.

Μεταφέρετε το ψυγείο με καρότσι από το πλάι όλων των ανοιγμάτων πόρτας.

#### Κατά τη μεταφορά του ψυγείου:

Το ψυγείο έχει μεγάλο βάρος. Κατά τη μεταφορά του ψυγείου για καθαρισμό ή σέρβις, καλύψτε το δάπεδο με χαρτόνι ή κόντρα πλακέ για να αποφευχθεί η πρόκληση ζημιάς σε αυτό. Τραβάτε πάντα το ψυγείο ευθεία προς τα έξω κατά τη μεταφορά του. Μην κουνάτε και μη «σέρνετε» το ψυγείο κατά τη μεταφορά του, καθώς θα προκληθεί ζημιά στο δάπεδο.

#### Αφαίρεση της συσκευασίας

■ Αφαιρέστε τα υπολείμματα ταινίας και κόλλας από τις επιφάνειες πριν ενεργοποιήσετε το ψυγείο. Τρίψτε τα σημεία με κόλλα με μικρή ποσότητα υγρού απορρυπαντικού για τα πιάτα με τα δάχτυλά σας. Σκουπίστε χρησιμοποιώντας ζεστό νερό και στεγνώστε την επιφάνεια.

■ Μη χρησιμοποιείτε αιχμηρά εργαλεία, οινόπνευμα εντριβής, εύφλεκτα υγρά ή αποξεστικά καθαριστικά για να αφαιρέσετε τα υπολείμματα ταινίας ή κόλλας. Τα προϊόντα αυτά μπορεί να προκαλέσουν ζημιά στην επιφάνεια του ψυγείου.

■ Απορρίψτε/ανακυκλώστε τα υλικά συσκευασίας.

#### Καθαρισμός πριν από τη χρήση

Μετά την αφαίρεση όλων των υλικών συσκευασίας, καθαρίστε το εσωτερικό του ψυγείου πριν το χρησιμοποιήσετε. Ανατρέξτε στις οδηγίες καθαρισμού στην ενότητα «Φροντίδα ψυγείου».

#### Σημαντικές πληροφορίες που πρέπει να γνωρίζετε σχετικά με τα γυάλινα ράφια και τα καλύμματα:

Μην καθαρίζετε τα γυάλινα ράφια ή τα καλύμματα με ζεστό νερό όταν είναι κρύα. Τα ράφια και τα καλύμματα μπορεί να σπάσουν εάν εκτεθούν σε απότομες αλλαγές της θερμοκρασίας ή κρούσεις, όπως σε χτυπήματα.

Το σκληρυμμένο γυαλί έχει σχεδιαστεί ώστε να θρυμματίζεται σε πολλά μικρά κομμάτια σε μέγεθος βότσαλου. Αυτό είναι φυσιολογικό. Τα γυάλινα ράφια και τα καλύμματα είναι βαριά. Χρησιμοποιείτε και τα δύο χέρια κατά την αφαίρεσή τους, ώστε να αποφευχθεί πτώση.

## Απαιτήσεις χώρου

### ⚠️ ΠΡΟΕΙΔΟΠΟΙΗΣΗ



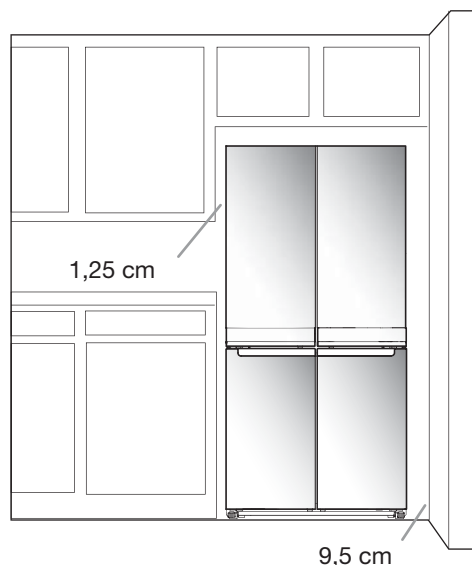
#### Κίνδυνος έκρηξης

Διατηρείτε εύφλεκτα υλικά και αναθυμιάσεις, όπως βενζίνη, μακριά από το ψυγείο.

Διαφορετικά, μπορεί να προκληθεί θάνατος, έκρηξη ή φωτιά.

Για να διασφαλιστεί ο σωστός εξαερισμός του ψυγείου, αφήστε χώρο 1,25 cm σε κάθε πλευρά και στο πάνω μέρος. Αφήστε χώρο 5 cm πριν από το ψυγείο. Εάν το ψυγείο διαθέτει παρασκευαστή πάγου, αφήστε επιπλέον χώρο στο πίσω μέρος για τις συνδέσεις των γραμμών νερού. Κατά την εγκατάσταση του ψυγείου δίπλα σε σταθερό τοίχο, αφήστε ελάχιστη απόσταση 9,5 cm ανάμεσα στο ψυγείο και τον τοίχο για να μπορεί να ανοίξει η πόρτα.

**ΣΗΜΕΙΩΣΗ:** Το ψυγείο αυτό προορίζεται για χρήση σε χώρο όπου η θερμοκρασία κυμαίνεται από 10°C το ελάχιστο έως 43°C το μέγιστο. Το προτιμώμενο εύρος θερμοκρασίας δωματίου για βέλτιστη απόδοση, το οποίο μειώνει τη χρήση ηλεκτρικού ρεύματος και παρέχει ανώτερη ψύξη, είναι μεταξύ 15°C και 32°C. Συνιστάται να μην εγκαθιστάτε το ψυγείο κοντά σε πηγή θερμότητας, όπως σε φούρνο ή καλοριφέρ.



## Ηλεκτρικές απαιτήσεις

### ⚠️ ΠΡΟΕΙΔΟΠΟΙΗΣΗ



#### Κίνδυνος ηλεκτροπληξίας

Συνδέστε τη συσκευή σε γειωμένη πρίζα.

Μην αφαιρείτε την ακίδα γείωσης.

Μη χρησιμοποιείτε προσαρμογέα.

Μη χρησιμοποιείτε καλώδιο προέκτασης.

Η μη τήρηση αυτών των οδηγιών μπορεί να οδηγήσει σε θάνατο, φωτιά ή ηλεκτροπληξία.

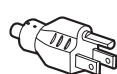
**ΣΗΜΑΝΤΙΚΟ:** Η εγκατάσταση και η ηλεκτρική σύνδεση πρέπει να πραγματοποιούνται από εξειδικευμένο τεχνικό σύμφωνα με τις οδηγίες του κατασκευαστή και τους τοπικούς κανονισμούς ασφαλείας.

- Το ψυγείο έχει σχεδιαστεί για λειτουργία με ξεχωριστό κύκλωμα 220-240 Volt, 10 A, 50/60 Hz.
- Βεβαιωθείτε ότι η τάση που αναγράφεται στην πινακίδα στοιχείων αντιστοιχεί στην τάση της οικιακής εγκατάστασης.
- Πρέπει να είναι δυνατή η αποσύνδεση της συσκευής από την ηλεκτρική τροφοδοσία με αφαίρεση του φικς από την πρίζα ή με χρήση του διπολικού διακόπτη που έχει εγκατασταθεί πριν από την πρίζα.
- Εάν το καλώδιο τροφοδοσίας έχει υποστεί ζημιά, πρέπει να αντικατασταθεί από τον κατασκευαστή, τον αντιπρόσωπο σέρβις ή άλλα παρόμοια καταρτισμένα άτομα, ώστε να αποφευχθούν κίνδυνοι.

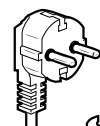
Πριν μετακινήσετε το ψυγείο στην τελική του θέση, πρέπει να βεβαιωθείτε ότι διαθέτετε την κατάλληλη ηλεκτρική σύνδεση:

#### Συνιστώμενη μέθοδος γείωσης

Απαιτείται μόνο γειωμένη ηλεκτρική τροφοδοσία 220-240 Volt 50 Hz, 220 Volt 60 Hz ή 230/240 Volt 50 Hz AC με ασφάλεια 10 A.



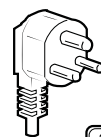
Τύπος B



Τύπος E και F



Τύπος I



Τύπος M



Τύπος G

#### Για την Αυστραλία και τη Νέα Ζηλανδία:

Η νέα σας συσκευή έχει κατασκευαστεί ειδικά ώστε να πληροί τα Αυστραλιανά πρότυπα και προϋποθέσεις.

Ορισμένα σύμβολα στις οδηγίες εγκατάστασης μπορεί να αναφέρονται στις ηλεκτρικές απαιτήσεις άλλων χωρών και, για τον λόγο αυτό, πρέπει να λάβετε υπόψη αυτές τις ειδικές σημειώσεις.

Η συσκευή σας πρέπει να συνδεθεί μόνο σε γειωμένη πρίζα 230/240 Volt 50 Hz AC 10 A.



## Ηλεκτρικές απαιτήσεις (Μόνο Μεγάλη Βρετανία και Ιρλανδία)

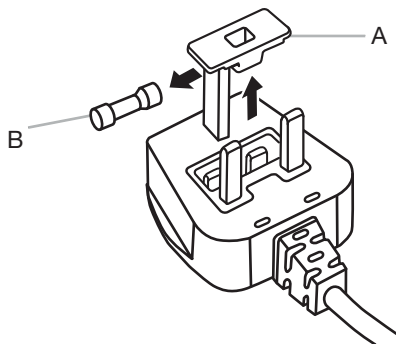
**ΣΗΜΑΝΤΙΚΟ:** Το ψυγείο αυτό πρέπει να είναι γειωμένο.

### Αντικατάσταση ασφαλειών

Εάν το καλώδιο κεντρικού δικτύου του ψυγείου αυτού διαθέτει φινι με ασφάλεια 13 A BS1363A, για να αλλάξετε μια ασφάλεια σε αυτόν τον τύπο φινι, χρησιμοποιήστε ασφάλεια A.S.T.A. εγκεκριμένη σύμφωνα με το πρότυπο BS 1362, και ακολουθήστε την παρακάτω διαδικασία:

1. Αφαιρέστε το κάλυμμα της ασφάλειας (A) και την ασφάλεια (B).
2. Τοποθετήστε την ανταλλακτική ασφάλεια 13 A στο κάλυμμα της ασφάλειας.
3. Επανατοποθετήστε την ασφάλεια και το κάλυμμά της στο φινι.

**ΣΗΜΑΝΤΙΚΟ:** Το κάλυμμα ασφάλειας πρέπει να τοποθετηθεί ξανά μετά την αλλαγή μιας ασφάλειας. Σε περίπτωση απώλειας του καλύμματος της ασφάλειας, το φινι δεν πρέπει να χρησιμοποιείται μέχρι να τοποθετηθεί ανταλλακτικό κάλυμμα. Τα σωστά ανταλλακτικά επισημαίνονται από το έγχρωμο ένθετο ή την έγχρωμη «ένδειξη» που αναγράφεται στη βάση του φινι. Ανταλλακτικά καλύμματα ασφάλειας διατίθενται από τοπικά καταστήματα ηλεκτρικών ειδών.



A. Κάλυμμα ασφάλειας  
B. Ασφάλεια

### Για τη Δημοκρατία της Ιρλανδίας (μόνο):

Ισχύουν συχνά οι πληροφορίες που παρέχονται για το Ηνωμένο Βασίλειο, ωστόσο χρησιμοποιείται και ένας τρίτος τύπος φινι και πρίζας, με 2 ακίδες και πλευρική γείωση.

### Πρίζα/φινι (και για τις δύο χώρες):

Εάν το παρεχόμενο φινι δεν είναι κατάλληλο για την πρίζα σας, επικοινωνήστε με το κέντρο εξυπηρέτησης πελατών για περαιτέρω οδηγίες. Μην επιχειρήσετε να αλλάξετε το φινι μόνοι σας. Η διαδικασία αυτή πρέπει να εκτελείται από εξειδικευμένο τεχνικό σύμφωνα με τις οδηγίες του κατασκευαστή και τους ισχύοντες τυπικούς κανονισμούς ασφαλείας.

## Θερμοκρασία

Το ψυγείο αυτό είναι ρυθμισμένο για λειτουργία σε χώρο όπου η θερμοκρασία κυμαίνεται εντός του παρακάτω εύρους τιμών, σύμφωνα με την κλιματική κατηγορία που αναγράφεται στην πινακίδα τεχνικών στοιχείων. Το ψυγείο μπορεί να μη λειτουργεί σωστά, εάν παραμείνει για μεγάλο χρονικό διάστημα σε θερμοκρασία εκτός του εύρους τιμών που καθορίζεται.

**ΣΗΜΕΙΩΣΗ:** Συνιστάται να μην εγκαθιστάτε το ψυγείο κοντά σε πηγή θερμότητας, όπως σε φούρνο ή καλοριφέρ.

Κλιματική κατηγορία	Θερμ. περιβ. (°C)	Θερμ. περιβ. (°F)
SN	Από 10 έως 32	Από 50 έως 90
N	Από 16 έως 32	Από 61 έως 90
ST	Από 16 έως 38	Από 61 έως 100
T	Από 16 έως 43	Από 61 έως 110

## Αφαίρεση και επανατοποθέτηση πόρτας ψυγείου

**ΣΗΜΕΙΩΣΗ:** Μετρήστε το πλάτος ανοίγματος της πόρτας για να διαπιστώσετε εάν χρειάζεται να αφαιρέσετε τις πόρτες του ψυγείου κατά τη μεταφορά του ψυγείου στο εσωτερικό του σπιτιού. Εάν απαιτείται αφαίρεση της πόρτας, ανατρέξτε στις παρακάτω οδηγίες.

**ΣΗΜΑΝΤΙΚΟ:** Εάν το ψυγείο είναι ήδη εγκατεστημένο και το μεταφέρετε εκτός του σπιτιού, απενεργοποιήστε το σύστημα ελέγχου του ψυγείου πριν από την αφαίρεση της πόρτας. Αποσύνδεση ψυγείου ή τροφοδοσίας. Αφαιρέστε τα τρόφιμα και τη ρυθμιζόμενη πόρτα ή τα βοηθητικά δοχεία από τις πόρτες.

Συγκεντρώστε τα απαιτούμενα υλικά και διαβάστε όλες τις οδηγίες πριν αφαιρέσετε τις πόρτες.

**ΑΠΑΙΤΟΥΜΕΝΑ ΥΛΙΚΑ:** Κλειδί Άλεν 6 mm, κλειδί Άλεν 5 mm και κατσαβίδι Phillips αρ. 2.



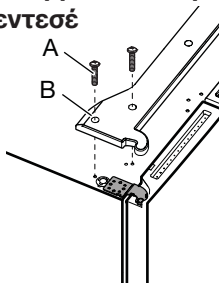
### ⚠ ΠΡΟΕΙΔΟΠΟΙΗΣΗ

Κίνδυνος ηλεκτροπληξίας

Αποσυνδέστε την τροφοδοσία πριν αφαιρέσετε τις πόρτες.

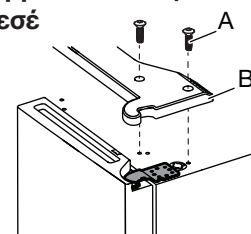
Διαφορετικά, μπορεί να προκληθεί θάνατος ή ηλεκτροπληξία.

#### Κάλυμμα πάνω αριστερού μεντεσέ



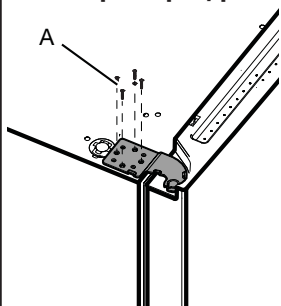
- A. Βίδες καλύμματος πάνω μεντεσέ
- B. Κάλυμμα πάνω μεντεσέ

#### Κάλυμμα πάνω δεξιού μεντεσέ



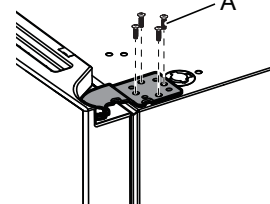
- A. Βίδες καλύμματος πάνω μεντεσέ
- B. Κάλυμμα πάνω μεντεσέ

#### Πάνω αριστερός μεντεσές



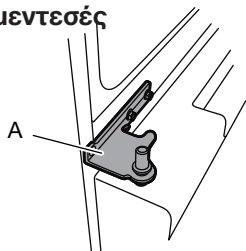
- A. Βίδες εξαγωνικής κεφαλής 5 mm

#### Πάνω δεξιός μεντεσές



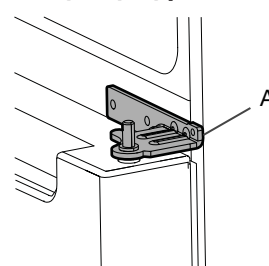
- A. Βίδες εξαγωνικής κεφαλής 5 mm

#### Μεσαίος αριστερός μεντεσές



- A. Μεντεσές

#### Μεσαίος δεξιός μεντεσές



- A. Μεντεσές

## ⚠ ΠΡΟΕΙΔΟΠΟΙΗΣΗ

Κίνδυνος λόγω υπερβολικά μεγάλου βάρους

Για την ανύψωση της πόρτας του ψυγείου απαιτούνται δύο ή περισσότερα άτομα.

Διαφορετικά, μπορεί να προκληθούν τραυματισμοί στη μέση ή άλλοι τραυματισμοί.

### Αφαίρεση πόρτας ψυγείου

## ⚠ ΠΡΟΕΙΔΟΠΟΙΗΣΗ



Κίνδυνος ηλεκτροπληξίας

Αποσυνδέστε την τροφοδοσία πριν αφαιρέσετε τις πόρτες.

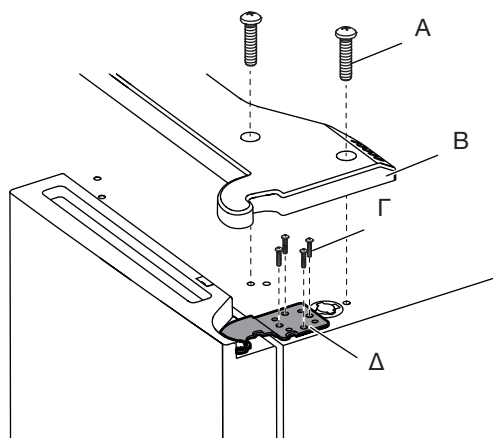
Διαφορετικά, μπορεί να προκληθεί θάνατος ή ηλεκτροπληξία.

### Αφαίρεση δεξιάς πόρτας

1. Αποσύνδεση ψυγείου ή τροφοδοσίας.
2. Αφήστε τις πόρτες του ψυγείου κλειστές μέχρι να είστε έτοιμοι να τις ανασηκώσετε από το περίβλημα.

**ΣΗΜΕΙΩΣΗ:** Διασφαλίστε την επιπλέον στήριξη της πόρτας του ψυγείου κατά την αφαίρεση των μεντεσέδων. Μη βασίζεστε στους μαγνήτες του λάστιχου της πόρτας για τη στήριξη της πόρτας στη θέση της κατά την εκτέλεση των εργασιών.

3. Χρησιμοποιώντας κατασαβίδι Phillips, αφαιρέστε το κάλυμμα από τον πάνω μεντεσέ.
4. Χρησιμοποιώντας κλειδί Άλεν 5 mm, αφαιρέστε τις τέσσερις βίδες από τον πάνω μεντεσέ και αφήστε τις στην άκρη.



A. Βίδα καλύμματος πάνω μεντεσέ

B. Κάλυμμα πάνω μεντεσέ

Γ. Βίδες εξαγωνικής κεφαλής 5 mm

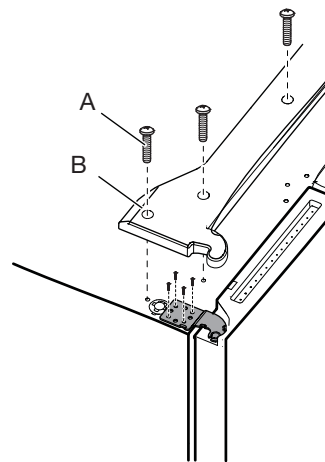
Δ. Πάνω μεντεσές

5. Ανασηκώστε την πόρτα του ψυγείου από τον πείρο του μεσαίου μεντεσέ. Ο πάνω μεντεσές θα αφαιρεθεί μαζί με την πόρτα.

### Αφαίρεση αριστερής πόρτας

**ΣΗΜΑΝΤΙΚΟ:** Η καλωδίωση για τη διεπαφή χρήση διέρχεται από τον μεντεσέ της αριστερής πόρτας, οπότε πρέπει να αποσυνδεθεί πριν από την αφαίρεση της πόρτας.

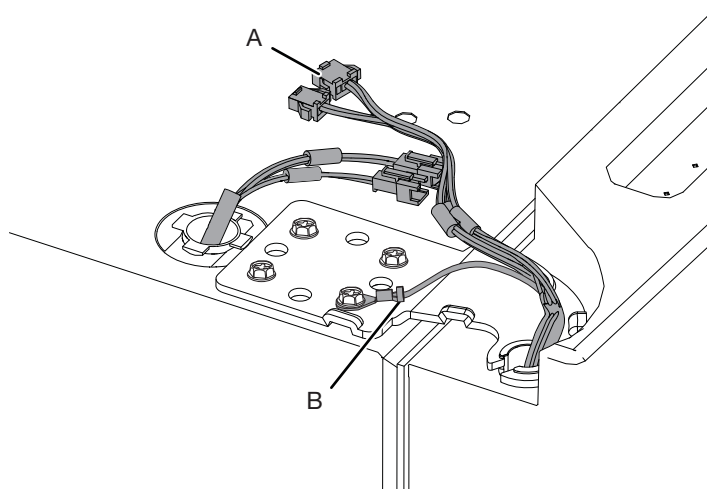
1. Χρησιμοποιώντας κατασαβίδι Phillips, αφαιρέστε το κάλυμμα από τον πάνω μεντεσέ.



A. Βίδα καλύμματος πάνω μεντεσέ

B. Κάλυμμα πάνω μεντεσέ

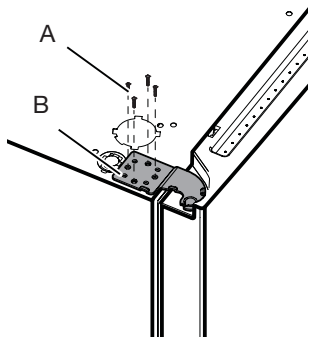
2. Αποσυνδέστε δύο φικς καλωδίωσης που βρίσκονται στο πάνω μέρος του μεντεσέ της πόρτας.
  - Κρατήστε τα φικς καλωδίωσης από το πλάι. Με τον αριστερό αντίχειρα, πιέστε προς τα κάτω για να απασφαλιστεί το μάνδαλο και διαχωρίστε τα τμήματα των φικς.



A. Φικς καλωδίωσης

B. Συνδετήρας γείωσης

- Χρησιμοποιώντας κλειδί Άλεν 5 mm, αφαιρέστε τις τέσσερις εσωτερικές βίδες από τον πάνω μεντεσέ και αφήστε τις στην άκρη.



A. Βίδες εξαγωνικής κεφαλής 5 mm  
B. Πάνω μεντεσές

**ΣΗΜΕΙΩΣΗ:** Διασφαλίστε την επιπλέον στήριξη της πόρτας του ψυγείου κατά την αφαίρεση των μεντεσέδων. Μη βασίζεστε στους μαγνήτες του λάστιχου της πόρτας για τη στήριξη της πόρτας στη θέση της κατά την εκτέλεση των εργασιών.

- Ανασηκώστε την πόρτα του ψυγείου από τον πείρο του κάτω μεντεσέ. Ο πάνω μεντεσές θα αφαιρεθεί μαζί με την πόρτα.

**ΣΗΜΕΙΩΣΗ:** Μπορεί να μη χρειαστεί να αφαιρέσετε τους κάτω μεντεσέδες και τα συγκροτήματα των ποδιών ακινητοποίησης για να περάσετε το ψυγείο από την πόρτα.

- Μόνο εάν απαιτείται, χρησιμοποιήστε κλειδί Άλεν 6 mm και κατσαβίδι Phillips αρ. 2 για να αφαιρέσετε τον μεσαίο μεντεσέ.

#### Επανατοποθέτηση δεξιάς πόρτας ψυγείου

- Τοποθετήστε τη δεξιά πόρτα στον πείρο του μεσαίου μεντεσέ.
- Εισαγάγετε τον πείρο του πάνω μεντεσέ στην ανοιχτή οπή στο πάνω μέρος της πόρτας του ψυγείου.
- Χρησιμοποιώντας τέσσερις βίδες εξαγωνικής κεφαλής 5 mm, στερεώστε τον μεντεσέ στο περίβλημα. Μη σφίγγετε πλήρως τις βίδες.

#### Επανατοποθέτηση αριστερής πόρτας ψυγείου

- Τοποθετήστε την αριστερή πόρτα στον πείρο του μεσαίου μεντεσέ.
- Χρησιμοποιώντας τέσσερις βίδες εξαγωνικής κεφαλής 5 mm, στερεώστε τον μεντεσέ στο περίβλημα. Μη σφίγγετε πλήρως τις βίδες.
- Επανασυνδέστε την ηλεκτρική καλωδίωση.
  - Πιέστε και ενώστε τα δύο τμήματα του φινιρίσματος.
  - Επανασυνδέστε το καλώδιο γείωσης στη βίδα του μεντεσέ.

#### Τελικά βήματα

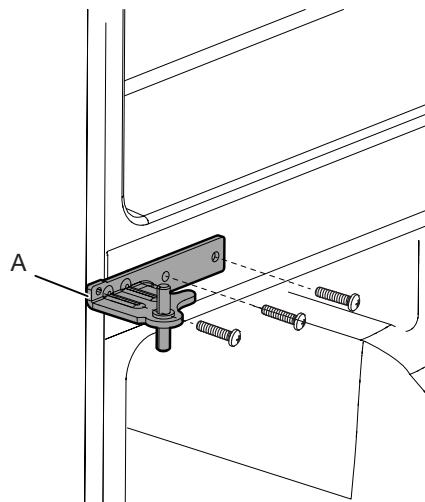
- Σφίξτε πλήρως οκτώ βίδες εξαγωνικής κεφαλής 5 mm.
- Επανατοποθετήστε τα καλύμματα του πάνω μεντεσέ.

## Αφαίρεση και επανατοποθέτηση πόρτας καταψύκτη/κατάψυξης Flexi

- Αφήστε τις πόρτες του καταψύκτη κλειστές μέχρι να είστε έτοιμοι να τις ανασηκώσετε από το περίβλημα.

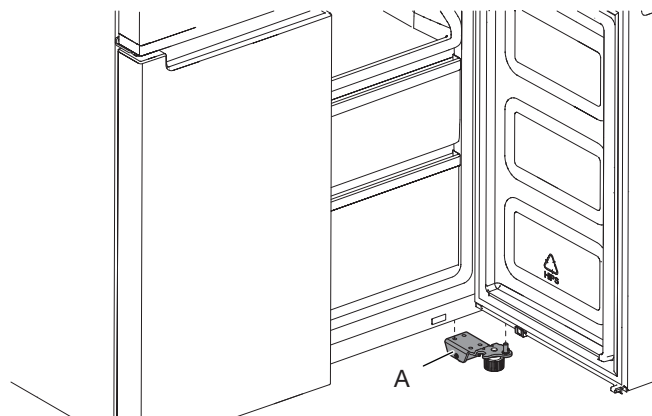
**ΣΗΜΕΙΩΣΗ:** Διασφαλίστε την επιπλέον στήριξη της πόρτας του καταψύκτη κατά την αφαίρεση των μεντεσέδων. Μη βασίζεστε στους μαγνήτες του λάστιχου της πόρτας για τη στήριξη της πόρτας στη θέση της κατά την εκτέλεση των εργασιών.

- Χρησιμοποιώντας κατσαβίδι Phillips αρ. 2 και κλειδί 6 mm, αφαιρέστε τον μεσαίο μεντεσέ από το περίβλημα.



A. Μεσαίος μεντεσές

- Ανασηκώστε την πόρτα του καταψύκτη από τον πείρο του κάτω μεντεσέ.



A. Κάτω μεντεσές

## ⚠ ΠΡΟΕΙΔΟΠΟΙΗΣΗ



### Κίνδυνος ηλεκτροπληξίας

Συνδέστε τη συσκευή σε γειωμένη πρίζα.

Μην αφαιρείτε την ακίδα γείωσης.

Μη χρησιμοποιείτε προσαρμογέα.

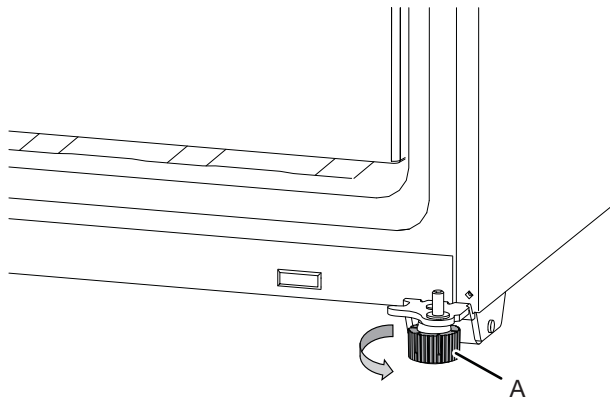
Μη χρησιμοποιείτε καλώδιο προέκτασης.

Η μη τήρηση αυτών των οδηγιών μπορεί να οδηγήσει σε θάνατο, φωτιά ή ηλεκτροπληξία.

1. Συνδέστε τη συσκευή σε γειωμένη πρίζα.
2. Επανατοποθετήστε όλα τα αφαιρούμενα εξαρτήματα και τρόφιμα στα συρτάρια.

## Οριζοντίωση του ψυγείου

1. Μετακινήστε το ψυγείο στην τελική του θέση.
2. Περιστρέψτε με το χέρι τα πόδια ακινητοποίησης. Περιστρέψτε τα αριστερόστροφα μέχρι οι κύλινδροι να ανυψωθούν από το δάπεδο και τα πόδια ακινητοποίησης να έρχονται σε επαφή με αυτό. Με τον τρόπο αυτό, αποφεύγεται η κύλιση του ψυγείου προς τα εμπρός κατά το άνοιγμα της πόρτας.



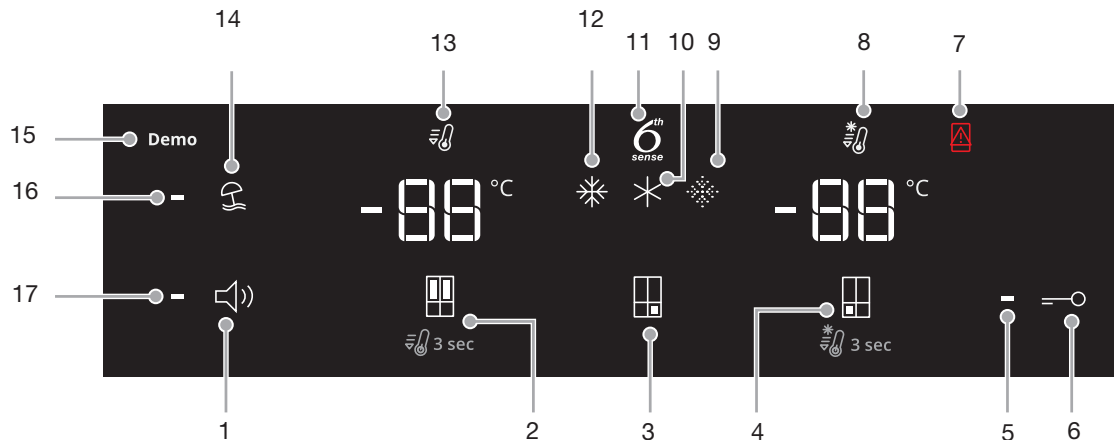
A. Πόδια ακινητοποίησης

**ΣΗΜΑΝΤΙΚΟ:** Εάν πρέπει να κάνετε ρυθμίσεις στα πόδια ακινητοποίησης, πρέπει να περιστρέψετε και τα δύο πόδια ακινητοποίησης εξίσου ώστε το ψυγείο να διατηρηθεί οριζόντιο.

3. Χρησιμοποιήστε αλφάδι για να βεβαιωθείτε ότι το ψυγείο είναι οριζόντιο στα πλαίνα και εμπρός-πίσω.

## Χρήση των χειριστηρίων

Τα χειριστήρια αφής βρίσκονται στην αριστερή πόρτα του ψυγείου. Ο πίνακας ελέγχου περιλαμβάνει πληροφορίες σχετικά με διάφορα κουμπιά και ενδείξεις. Οι ενδείξεις θερμοκρασίας του ψυγείου και του καταψύκτη υποδεικνύουν τα τελευταία σημεία ρύθμισης θερμοκρασίας.



1. Κουμπί ενεργοποίησης/απενεργοποίησης ήχου
2. Κουμπί θερμοκρασίας ψυγείου (κρατήστε το πατημένο 3 δευτ. για ταχεία ψύξη)
3. Κουμπί προκαθορισμένης θερμοκρασίας κατάψυξης Flexi (μόνο για WQ9 B1L, 6WM591NIHAS και WQ70900SXX)
4. Κουμπί θερμοκρασίας καταψύκτη (κρατήστε το πατημένο 3 δευτ. για ταχεία κατάψυξη)
5. Ένδειξη κλειδώματος πλήκτρων
6. Κουμπί κλειδώματος πλήκτρων
7. Ένδειξη ανοιχτής πόρτας
8. Λειτουργία ταχείας κατάψυξης
9. Ένδειξη ήπιας κατάψυξης (μόνο για WQ9 B1L, 6WM591NIHAS και WQ70900SXX)
10. Ένδειξη μέτριας κατάψυξης (μόνο για WQ9 B1L, 6WM591NIHAS και WQ70900SXX)
11. Ένδειξη 6th Sense
12. Ένδειξη συμβατικής κατάψυξης (μόνο για WQ9 B1L, 6WM591NIHAS και WQ70900SXX)
13. Λειτουργία ταχείας ψύξης
14. Κουμπί λειτουργίας διακοπών
15. Ένδειξη λειτουργίας επίδειξης (μόνο για WQ9 B1L, 6WM591NIHAS και WQ70900SXX)
16. Ένδειξη λειτουργίας διακοπών
17. Ένδειξη ήχου

Ο πίνακας ελέγχου απενεργοποιείται αυτόματα μετά από ένα λεπτό αδράνειας. Για να απενεργοποιήσετε τον πίνακα ελέγχου, πατήστε ένα οποιοδήποτε πλήκτρο.

### - 88 Προβολή και προσαρμογή σημείων ρύθμισης θερμοκρασίας

#### Ρύθμιση θερμοκρασίας θαλάμου ψυγείου και καταψύκτη:

Για μεγαλύτερη ευκολία, τα χειριστήρια του ψυγείου και του καταψύκτη είναι προκαθορισμένα από το εργοστάσιο.

Κατά την πρώτη εγκατάσταση του ψυγείου, βεβαιωθείτε ότι τα χειριστήρια εξακολουθούν να είναι ρυθμισμένα στα συνιστώμενα σημεία ρύθμισης. Τα σημεία ρύθμισης που συνιστώνται από το εργοστάσιο είναι 3°C για το ψυγείο και -18°C για τον καταψύκτη.

Εάν πατήσετε το κουμπί θερμοκρασίας ψυγείου ή καταψύκτη, εκτελείται εναλλαγή μεταξύ των σημείων ρύθμισης θερμοκρασίας σε βαθμούς Κελσίου (°C)

#### ΣΗΜΑΝΤΙΚΟ:

- Περιμένετε 24 ώρες πριν τοποθετήσετε τρόφιμα στο ψυγείο. Εάν τοποθετήσετε τρόφιμα πριν κρυώσει πλήρως το ψυγείο, τα τρόφιμα μπορεί να αλλοιωθούν.  
**ΣΗΜΕΙΩΣΗ:** Εάν προσαρμόσετε τα σημεία ρύθμισης σε χαμηλότερη από τη συνιστώμενη ρύθμιση, δεν θα κρυώσουν ταχύτερα οι θάλαμοι.
- Εάν η θερμοκρασία είναι πολύ υψηλή ή πολύ χαμηλή στο ψυγείο ή στον καταψύκτη, ελέγξτε πρώτα τους αεραγωγούς για να βεβαιωθείτε ότι δεν είναι φραγμένοι πριν ρυθμίσετε τα χειριστήρια.
- Οι συνιστώμενες ρυθμίσεις πρέπει να είναι σωστές για κανονική οικιακή χρήση. Τα χειριστήρια έχουν ρυθμιστεί σωστά όταν το γάλα ή ο χυμός είναι ικανοποιητικά κρύος και το παγωτό σφιχτό.  
**ΣΗΜΕΙΩΣΗ:** Χώροι όπως το γκαράζ, το υπόγειο ή η αυλή μπορεί να έχουν υψηλότερη υγρασία ή ακραίες θερμοκρασίες. Μπορεί να χρειαστεί να προσαρμόσετε τη θερμοκρασία σε διαφορετικές ρυθμίσεις από τις συνιστώμενες για λειτουργία της συσκευής σε αυτές τις συνθήκες.

- Περιμένετε τουλάχιστον 24 ώρες από τη μία ρύθμιση έως την άλλη. Ελέγξτε ξανά τη θερμοκρασία πριν πραγματοποιήσετε άλλες ρυθμίσεις.

### 6th Sense Κλειδωμα φρέσκων τροφίμων 6th Sense και έλεγχος κατάψυξης

Ο αισθητήρας κλειδώματος 6th SENSE Fresh διασφαλίζει τον ακριβή και σταθερό έλεγχο της θερμοκρασίας για τη διατήρηση των φρέσκων τροφίμων για μεγαλύτερο χρονικό διάστημα και με πιο φυσικό τρόπο. Όταν ανιχνευτεί μεταβολή της θερμοκρασίας, ο αισθητήρας ενεργοποιεί έναν συμπιεστή που αποκαθιστά γρήγορα την αρχική θερμοκρασία.

Ο αισθητήρας κατάψυξης 6th SENSE ελαχιστοποιεί τις διακυμάνσεις της θερμοκρασίας στον καταψύκτη χάρη σε ένα καινοτόμο σύστημα διαχείρισης θερμοκρασίας. Τα εγκαύματα καταψύκτη μειώνονται για διατήρηση της ποιότητας και του χρώματος των τροφίμων.

### \* \* \* Ρύθμιση κατάψυξης Flexi (μόνο για WQ9 B1L, 6WM591NIHAS και WQ70900SXX)

Η λειτουργία κατάψυξης Flexi παρέχει τη δυνατότητα εναλλαγής των προκαθορισμένων θερμοκρασιών για τον θάλαμο κατάψυξης Flexi.

Σύμβολο	Λειτουργία	Θερμοκρασία
☼	Συμβατικός καταψύκτης	-18°C
✱	Μέτριος καταψύκτης	-12°C
☼	Ήπιος καταψύκτης	-7°C

\* Για ενεργοποίηση/απενεργοποίηση της χαμηλότερης ρύθμισης (-20°C), πατήστε το κουμπί προκαθορισμένης θερμοκρασίας κατάψυξης Flexi ☼ για 3 δευτερόλεπτα.

## Προσαρμογή ρύθμισης πολλαπλών θερμοκρασιών



- Συμβατικός καταψύκτης (-18°C): Ήδη κατεψυγμένα τρόφιμα και φρέσκα τρόφιμα (12 μήνες το μέγιστο)
- Μέτριος καταψύκτης (-12°C): Ήδη κατεψυγμένα τρόφιμα (1 μήνας το μέγιστο)
- Ήπιος καταψύκτης (-7°C): Ήδη κατεψυγμένα τρόφιμα (1 εβδομάδα το μέγιστο)

Κατά την προσαρμογή των σημείων ρύθμισης θερμοκρασίας, χρησιμοποιήστε τον παρακάτω πίνακα ως οδηγό:

ΚΑΤΑΣΤΑΣΗ	ΡΥΘΜΙΣΗ ΘΕΡΜΟΚΡΑΣΙΑΣ
Πολύ χαμηλή θερμοκρασία ψυγείου	Υψηλότερη ρύθμιση ψυγείου κατά 1°
Πολύ υψηλή θερμοκρασία ψυγείου	Χαμηλότερη ρύθμιση ψυγείου κατά 1°
Πολύ χαμηλή θερμοκρασία καταψύκτη	Υψηλότερη ρύθμιση καταψύκτη κατά 1°
Πολύ υψηλή θερμοκρασία καταψύκτη/ πολύ λίγος πάγος	Χαμηλότερη ρύθμιση καταψύκτη κατά 1°



## Ταχεία ψύξη

Η λειτουργία ταχείας ψύξης βοηθά σε περιόδους κατά τις οποίες το ψυγείο χρησιμοποιείται συχνά, όταν είναι γεμάτο ή σε προσωρινά υψηλές θερμοκρασίες δωματίου.

- Για να ενεργοποιήσετε τη λειτουργία ταχείας ψύξης, πατήστε παρατεταμένα το κουμπί θερμοκρασίας ψυγείου  για 3 δευτερόλεπτα. Όταν ενεργοποιηθεί η λειτουργία, θα ανάψει το εικονίδιο ταχείας ψύξης. Η λειτουργία ταχείας ψύξης παραμένει ενεργοποιημένη για 2 ώρες εκτός εάν απενεργοποιηθεί χειροκίνητα.
- Για να απενεργοποιήσετε χειροκίνητα τη λειτουργία ταχείας ψύξης, πατήστε παρατεταμένα το κουμπί θερμοκρασίας ψυγείου  για 3 δευτερόλεπτα. Το εικονίδιο ταχείας ψύξης θα σβήσει όταν η λειτουργία απενεργοποιηθεί.
- Εάν ρυθμίσετε τη θερμοκρασία ψυγείου, η λειτουργία ταχείας ψύξης απενεργοποιείται αυτόματα.

## Ταχεία κατάψυξη

Η ποσότητα φρέσκων τροφίμων (σε kg) που μπορεί να καταψυχθεί σε 24 ώρες αναγράφεται στην πινακίδα τεχνικών στοιχείων της συσκευής.

- Πατήστε το κουμπί θερμοκρασίας καταψύκτη  για 3 δευτερόλεπτα (μέχρι να ανάψει η ένδειξη ταχείας κατάψυξης) 24 ώρες πριν από την τοποθέτηση φρέσκων τροφίμων στον καταψύκτη. Μετά την τοποθέτηση φρέσκων τροφίμων στον καταψύκτη, συνήθως αρκούν 24 ώρες στη λειτουργία ταχείας κατάψυξης. Μετά από 50 ώρες, η λειτουργία ταχείας κατάψυξης απενεργοποιείται αυτόματα.
- Για να απενεργοποιήσετε χειροκίνητα τη λειτουργία ταχείας κατάψυξης, πατήστε παρατεταμένα το κουμπί θερμοκρασίας καταψύκτη  για 3 δευτερόλεπτα. Το εικονίδιο ταχείας κατάψυξης θα σβήσει.
- Εάν ρυθμίσετε τη θερμοκρασία καταψύκτη, η λειτουργία ταχείας κατάψυξης απενεργοποιείται αυτόματα.

## Λειτουργία διακοπών

Η λειτουργία αυτή έχει σχεδιαστεί για την αποφυγή της σπατάλης ενέργειας όταν η συσκευή δεν χρησιμοποιείται τακτικά (για παράδειγμα, όταν βρίσκεστε σε διακοπές).

Εάν επιλέξετε αυτήν τη λειτουργία, η θερμοκρασία του θαλάμου ψυγείου (RC) θα ρυθμιστεί αυτόματα στο υψηλότερο σημείο ρύθμισης.

- Για να χρησιμοποιήσετε τη λειτουργία διακοπών, πατήστε το κουμπί λειτουργίας μέχρι να ανάψει η ένδειξη λειτουργίας διακοπών στην οθόνη.
- Για να απενεργοποιήσετε τη λειτουργία διακοπών, πατήστε το κουμπί λειτουργίας μέχρι να σβήσει το εικονίδιο λειτουργίας στην οθόνη.
- Εάν ρυθμίσετε τη θερμοκρασία ψυγείου, η λειτουργία διακοπών απενεργοποιείται αυτόματα.

**ΣΗΜΑΝΤΙΚΟ:** Εάν επιλεγεί αυτή η λειτουργία, τότε πρέπει να αφαιρεθούν όλα τα τρόφιμα και τα ροφήματα από τον θάλαμο ψυγείου.

## ΕΝΕΡΓΟΠΟΙΗΣΗ-ΑΠΕΝΕΡΓΟΠΟΙΗΣΗ ήχου

Πατήστε το κουμπί για ενεργοποίηση/απενεργοποίηση του ήχου.

## —○ Κλειδώμα πλήκτρων

- Πατήστε παρατεταμένα το κουμπί κλειδώματος για 3 δευτερόλεπτα για να ενεργοποιήσετε τη λειτουργία κλειδώματος.
- Για να απενεργοποιήσετε το κλειδώμα, πατήστε παρατεταμένα το κουμπί κλειδώματος για 3 δευτερόλεπτα.

Η λειτουργία κλειδώματος παραβλέπει κάθε χρήση του πίνακα ελέγχου μέχρι ο χρήστης να ξεκλειδώσει τον πίνακα ελέγχου. Με τη λειτουργία αυτή αποτρέπονται κατά λάθος αλλαγές των ρυθμίσεων.

## Λειτουργία επίδειξης (μόνο για WQ9 B1L, 6WM591NIHAS και WQ70900SXX)


Η λειτουργία αυτή χρησιμοποιείται όταν το ψυγείο εκτίθεται στη βιτρίνα ενός καταστήματος ή εάν θέλετε να απενεργοποιήσετε την ψύξη και όλες τις άλλες λειτουργίες (εκτός από το εσωτερικό φως).

Η λειτουργία επίδειξης μπορεί να χρησιμοποιηθεί όταν βρίσκεστε σε διακοπές για μεγάλο χρονικό διάστημα. Για τα κατάλληλα βήματα όταν αφήνετε το ψυγείο σε αυτήν τη λειτουργία για μεγάλες χρονικές περιόδους, ανατρέξτε στην ενότητα «Φροντίδα κατά τις διακοπές και τη μεταφορά».

- Εάν ενεργοποιήσετε τη λειτουργία επίδειξης, στην οθόνη θα ανάψει το εικονίδιο «επίδειξης».
- Ενεργοποιήστε ή απενεργοποιήστε τη λειτουργία επίδειξης πατώντας παρατεταμένα το κουμπί ενεργοποίησης ή απενεργοποίησης ήχου μαζί με το κουμπί κλειδώματος για 3 δευτερόλεπτα.

## Πρόσθετες λειτουργίες

### Συναγερμός ανοιχτής πόρτας

- Η λειτουργία συναγερμού ανοιχτής πόρτας ενεργοποιεί έναν συναγερμό και το εικονίδιο «ανοιχτής πόρτας» αναβοσβήνει  όταν μια από τις τέσσερις πόρτες παραμένει ανοιχτή για 2 λεπτά ή περισσότερο.
- Ο συναγερμός επαναλαμβάνεται κάθε 5 λεπτά. Κλείστε όλες τις πόρτες για να τον απενεργοποιήσετε.

**ΣΗΜΕΙΩΣΗ:** Για σίγαση του ηχητικού συναγερμού κρατώντας τις πόρτες ανοιχτές, όπως κατά τον καθαρισμό του εσωτερικού του ψυγείου, πατήστε ένα οποιοδήποτε κουμπί στον πίνακα ελέγχου. Ο ήχος συναγερμού απενεργοποιείται προσωρινά, αλλά το εικονίδιο ανοιχτής πόρτας θα εξακολουθεί να εμφανίζεται στον πίνακα ελέγχου.

## Φως ψυγείου

Το ψυγείο διαθέτει εσωτερικό φως που ανάβει κάθε φορά που ανοίγει η πόρτα.

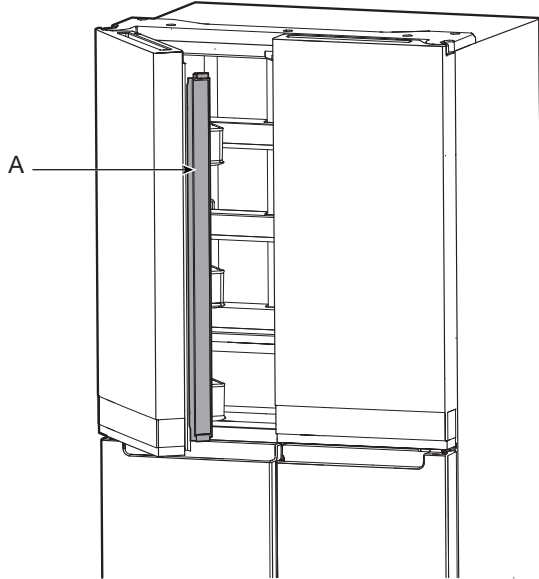
**ΣΗΜΕΙΩΣΗ:** Το φως είναι μια λυχνία LED, η οποία δεν χρειάζεται αντικατάσταση. Εάν η λυχνία LED δεν ανάβει όταν ανοίξει η πόρτα, επικοινωνήστε με το σέρβις για αντικατάσταση του φωτός.

# ΧΡΗΣΗ ΤΟΥ ΨΥΓΕΙΟΥ

## Άνοιγμα και κλείσιμο πόρτας

Υπάρχουν δύο πόρτες θαλάμου ψυγείου. Μπορείτε να ανοίξετε και να κλείσετε τις πόρτες είτε ξεχωριστά είτε μαζί. Στην αριστερή πόρτα ψυγείου υπάρχει ένα κατακόρυφα αρθρωτό λάστιχο.

- Όταν ανοίξει η αριστερή πόρτα, το αρθρωτό λάστιχο διπλώνει αυτόματα προς τα μέσα ώστε να μην ενοχλεί.
- Όταν κλείσουν και οι δύο πόρτες, το αρθρωτό λάστιχο σφραγίζει αυτόματα το κενό ανάμεσα στις δύο πόρτες.

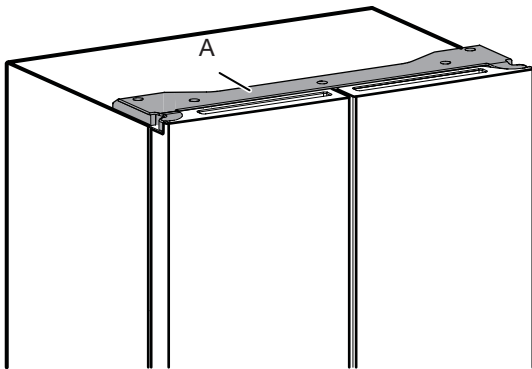


A. Αρθρωτό λάστιχο

Ο διακόπτης πόρτας θαλάμου ψυγείου βρίσκεται στο κάλυμμα του πάνω αριστερού και δεξιού μεντεσέ.

- Για τον καταψύκτη και τη ζώνη πολλαπλών θερμοκρασιών, ο διακόπτης πόρτας βρίσκεται στο κάτω διαχωριστικό.
- Ο διακόπτης πόρτας χρησιμοποιεί μαγνήτη για την ανίχνευση του ανοίγματος/κλεισίματος της πόρτας.
- Βεβαιωθείτε ότι δεν υπάρχουν μαγνήτες ή ηλεκτρονικές συσκευές (ηχείο, Coolnox® κλπ.) σε απόσταση 7,62 cm από το κάλυμμα του μεντεσέ.

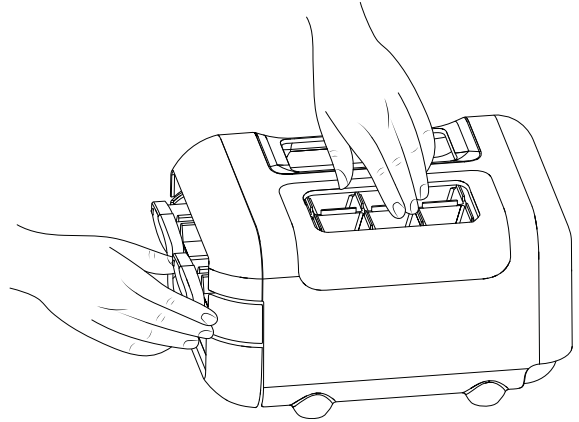
**ΣΗΜΕΙΩΣΗ:** Το φως δεν ανάβει εάν δεν ανιχνευτεί άνοιγμα της πόρτας.



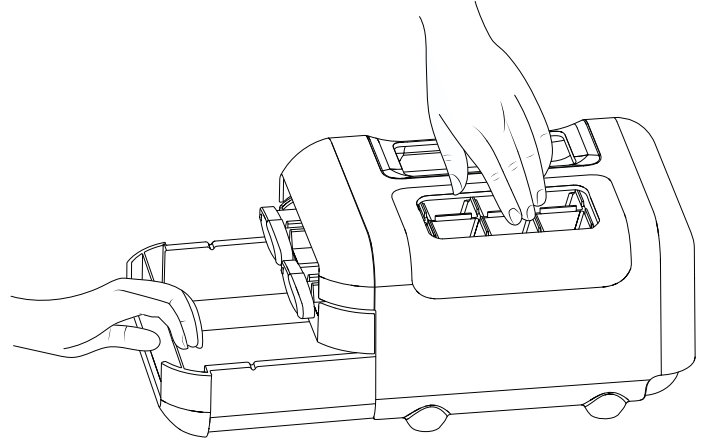
A. Κάλυμμα μεντεσέ

## Παρασκευαστής πάγου

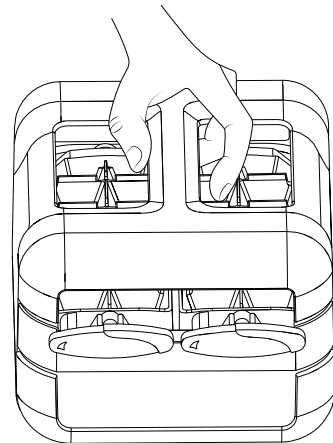
- Για την παρασκευή πάγου, γεμίστε την παγοθήκη με απιονισμένο νερό και τοποθετήστε τον χειροκίνητο παρασκευαστή πάγου στο πάνω ράφι του καταψύκτη. Περιμένετε μέχρι να σχηματιστεί πάγος και μόλις είναι έτοιμος, περιστρέψτε τα χειριστήρια δεξιόστροφα για να εξαχθούν τα παγάκια στο δοχείο πάγου.



- Ανασηκώστε ελαφρώς το δοχείο πάγου και τραβήξτε το δοχείο πάγου προς τα έξω για να αποκτήσετε πρόσβαση στα παγάκια.



Μπορείτε να αφαιρέσετε το συγκρότημα χειροκίνητου παρασκευαστή πάγου από τον καταψύκτη όταν δεν χρειάζεστε πάγο για να δημιουργηθεί περισσότερος χώρος στον καταψύκτη.



## Συντήρηση τροφίμων

### Συντήρηση αυγών

Συνιστάται να συντηρείτε τα αυγά σε σταθερή θερμοκρασία ώστε να διατηρούνται φρέσκα. Επομένως, είναι καλύτερα να τα φυλάσσετε στο μεσαίο ράφι του ψυγείου.



# ΡΑΦΙΑ, ΔΟΧΕΙΑ ΚΑΙ ΣΥΡΤΑΡΙΑ

## Σημαντικές πληροφορίες που πρέπει να γνωρίζετε σχετικά με τα γυάλινα ράφια και τα καλύμματα:

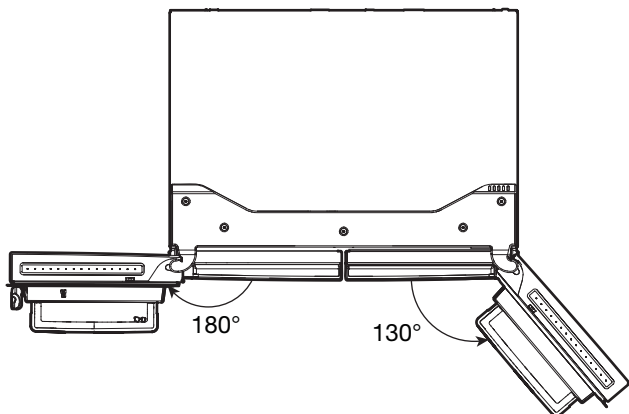
Μην καθαρίζετε τα γυάλινα ράφια ή τα καλύμματα με ζεστό νερό όταν είναι κρύα. Τα ράφια και τα καλύμματα μπορεί να σπάσουν εάν εκτεθούν σε απότομες αλλαγές της θερμοκρασίας ή κρούσεις, όπως σε χτυπήματα.

Το σκληρυμμένο γυαλί έχει σχεδιαστεί ώστε να θρυμματίζεται σε πολλά μικρά κομμάτια σε μέγεθος βότσαλου. Αυτό είναι φυσιολογικό. Τα γυάλινα ράφια και τα καλύμματα είναι βαριά. Χρησιμοποιείτε και τα δύο χέρια κατά την αφαίρεσή τους, ώστε να αποφευχθεί πτώση.

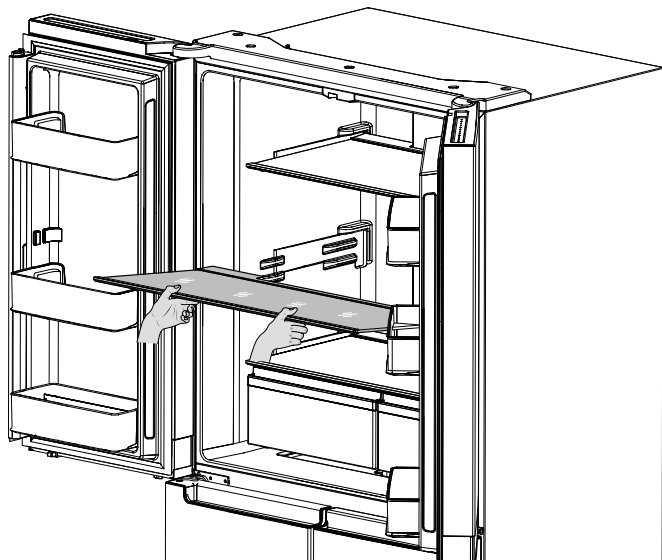
## Ρύθμιση ύψους ραφιού

Το ύψος του ραφιού μπορεί να ρυθμιστεί με αλλαγή της θέσης του από το κάτω στήριγμα στο πάνω στήριγμα και αντίστροφα

- Ανοίξτε τέρμα τη δεξιά πόρτα.
- Ανοίξτε τέρμα την αριστερή πόρτα και, στη συνέχεια, ανασηκώστε την πόρτα για να ανοίξει έως τις 180°.



- Αφαιρέστε το ράφι από το ψυγείο και τοποθετήστε στην επιθυμητή θέση.



- Βεβαιωθείτε ότι το ράφι είναι σωστά τοποθετημένο στα στηρίγματα ραφιού.

## Ράφια και πλαίσια ραφιών

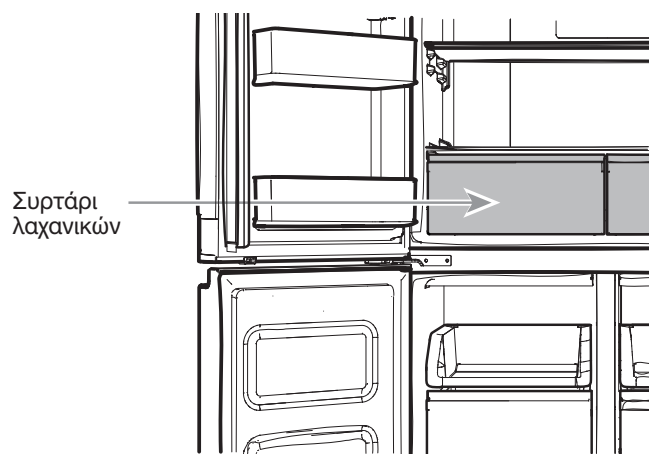
Τα ράφια στο ψυγείο μπορούν να ρυθμιστούν ανάλογα με τις εκάστοτε ανάγκες συντήρησης.

Η τοποθέτηση παρόμοιων τροφίμων μαζί στο ψυγείο και η ρύθμιση των ραφιών ώστε να χωρούν αντικείμενα διαφορετικού ύψους διευκολύνει τον εντοπισμό των τροφίμων που θέλετε. Επίσης, μειώνει τον χρόνο κατά τον οποίο η πόρτα του ψυγείου παραμένει ανοιχτή και εξοικονομείται ενέργεια.

### Για να αφαιρέσετε και να επανατοποθετήσετε τα ράφια:

1. Ανοίξτε τέρμα τη δεξιά πόρτα. Ανοίξτε τέρμα την αριστερή πόρτα και ανασηκώστε την ώστε να ανοίξει έως τις 180°.
2. Αφαιρέστε το μεσαίο ράφι ή το πάνω ράφι ανασηκώνοντάς το και αφαιρώντας το από τα στηρίγματα ραφιού. Στη συνέχεια, τραβήξτε το ράφι προς τα εμπρός και δώστε του κλίση προς τα κάτω σε κατακόρυφη θέση. Γυρίστε το ράφι υπό γωνία και αφαιρέστε το από το ψυγείο.
3. Αφαιρέστε το κάτω ράφι ανασηκώνοντάς το και αφαιρώντας το από τα στηρίγματα ραφιού. Στη συνέχεια, τραβήξτε το ράφι προς τα εμπρός και δώστε του κλίση προς τα πάνω σε κατακόρυφη θέση. Γυρίστε το ράφι υπό γωνία και αφαιρέστε το από το ψυγείο.
4. Επανατοποθετήστε το μεσαίο και το πάνω ράφι τοποθετώντας το στο ψυγείο υπό γωνία, με την μπροστινή του πλευρά προς τα κάτω. Ανασηκώστε την μπροστινή πλευρά του ραφιού προς τα πάνω και μετακινήστε το ράφι προς τα μέσα μέχρι το πίσω μέρος του ραφιού να τοποθετηθεί στα στηρίγματα ραφιού. Χαμηλώστε την μπροστινή πλευρά του ραφιού και βεβαιωθείτε ότι το ράφι βρίσκεται στη θέση του.
5. Επανατοποθετήστε το κάτω ράφι τοποθετώντας το στο ψυγείο υπό γωνία, με το ράφι προς τα πάνω. Ανασηκώστε την μπροστινή πλευρά του ραφιού προς τα κάτω και μετακινήστε το ράφι προς τα μέσα μέχρι το πίσω μέρος του ραφιού να τοποθετηθεί στα στηρίγματα ραφιού. Χαμηλώστε την μπροστινή πλευρά του ραφιού και βεβαιωθείτε ότι το ράφι βρίσκεται στη θέση του.

## Συρτάρι λαχανικών

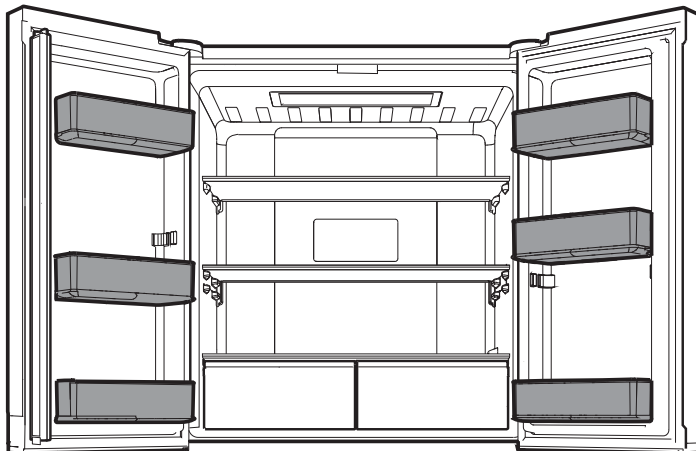


### Για να αφαιρέσετε και να επανατοποθετήσετε τα συρτάρια λαχανικών:

1. Κρατήστε τη λαβή του συρταριού λαχανικών και τραβήξτε το συρτάρι λαχανικών ευθεία προς τα έξω αφαιρώντας το από τον αναστολέα. Ανασηκώστε το συρτάρι λαχανικών και αφαιρέστε το από τον κάτω οδηγό.
2. Επανατοποθετήστε το συρτάρι λαχανικών στον κάτω οδηγό του συρταριού λαχανικών και σπρώξτε το στη θέση του μετά τον αναστολέα του συρταριού λαχανικών.

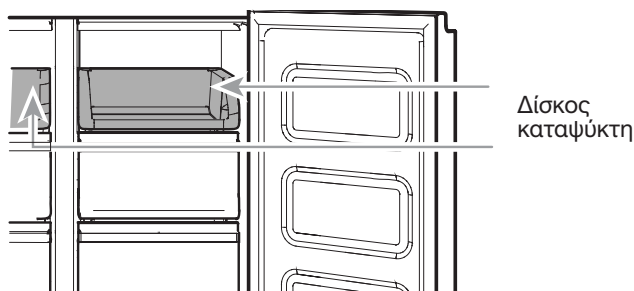
## Ράφια πόρτας ψυγείου

Το ράφι στην πόρτα του ψυγείου μπορεί να ρυθμιστεί ανάλογα με τις εκάστοτε ανάγκες συντήρησης.



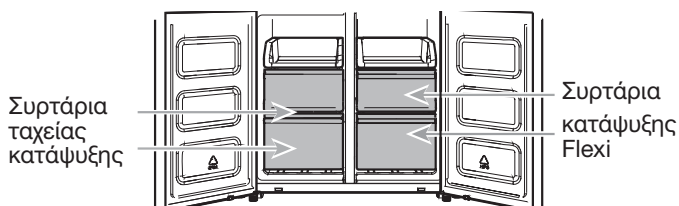
## Θάλαμοι συντήρησης καταψύκτη

### Δίσκος καταψύκτη



Ο δίσκος καταψύκτη χρησιμοποιείται για εύκολη πρόσβαση σε προϊόντα που χρησιμοποιούνται συχνά, καθώς και για την κατάψυξη ή απλά τη συντήρηση υπολειμμάτων φαγητών ή μικρών κομματιών τροφίμων.

### Συρτάρια καταψύκτη



### Θάλαμος ταχείας κατάψυξης

- Ο θάλαμος ταχείας κατάψυξης παρέχει τη δυνατότητα εύκολης συντήρησης τροφίμων μεγάλου όγκου.
- Η επιλογή ταχείας κατάψυξης επιτρέπει την ασφαλή και διαυγή συντήρηση όλων των κατεψυγμένων τροφίμων.

### Θάλαμος κατάψυξης Flexi (μόνο για WQ9 B1L, 6WM591NIHAS και WQ70900SXX)

Ο θάλαμος κατάψυξης Flexi παρέχει τη δυνατότητα επιλογής ενός από τα τρία επίπεδα θερμοκρασίας καταψύκτη:  $-7^{\circ}\text{C}$ ,  $-12^{\circ}\text{C}$  και  $-18^{\circ}\text{C}$  ώστε να διασφαλίζονται οι καλύτερες συνθήκες συντήρησης για διαφορετικούς τύπους τροφίμων.

Για μέγιστη χωρητικότητα του καταψύκτη, μπορείτε να αφαιρέσετε τα συρτάρια και να παραμείνει το ράφι του καταψύκτη.

### Για να αφαιρέσετε το πάνω συρτάρι:

1. Κρατήστε τη λαβή του συρταριού και τραβήξτε το συρτάρι ευθεία προς τα έξω αφαιρώντας το από τον αναστολέα. Ανασηκώστε το συρτάρι και αφαιρέστε το από τον κάτω οδηγό.
2. Επανατοποθετήστε το συρτάρι στον κάτω οδηγό του συρταριού και σπρώξτε το στη θέση του μετά τον αναστολέα του συρταριού.

### Ράφι καταψύκτη (μόνο με WQ9 E1L και WQ9 B1L)

Για να μεγιστοποιηθεί η χωρητικότητα του καταψύκτη, μπορείτε να αφαιρέσετε το μεσαίο συρτάρι και να παραμείνει το ράφι καταψύκτη που υπάρχει από κάτω. Στη συνέχεια, μπορείτε να φυλάξετε το πάνω συρτάρι και να τοποθετήσετε τρόφιμα απευθείας στο πάνω στο ράφι.

## Πληροφορίες σχετικά με τον ήχο

### Αντιστοίχιση ηχητικών σημάτων

Όνομα ηχητικού σήματος	Παραδείγματα χρήσης
Ενεργοποίηση	Το σύστημα ψύξης ενεργοποιείται κάθε φορά που ενεργοποιείται το προϊόν.
Πάτημα πλήκτρου	Ο χρήστης χρησιμοποιεί ένα έγκυρο πλήκτρο.
Μη έγκυρη ενέργεια (Σφάλμα)	Ο χρήστης έχει πατήσει δύο ή περισσότερα έγκυρα πλήκτρα ταυτόχρονα. Διακοπή αντίστροφης μέτρησης για κουμπιά παρατεταμένου πατήματος.
Ενεργοποίηση	Επιβεβαίωση ενεργοποίησης λειτουργίας.
Απενεργοποίηση	Επιβεβαίωση απενεργοποίησης λειτουργίας.
Ειδοποίηση	Ειδοποίηση μισάνοιχτης πόρτας.

Ο πίνακας αυτός προορίζεται μόνο για γρήγορη αναφορά. Για λεπτομέρειες, ανατρέξτε στις αντίστοιχες ενότητες. Στην περίπτωση ασυνεπειών, οι λεπτομερείς πληροφορίες κάθε ενότητας υπερισχύουν.

## Εξαρτήματα

Για να παραγγείλετε εξαρτήματα, επικοινωνήστε με τον αντιπρόσωπο από τον οποίο αγοράσατε το ψυγείο.

## Υποστήριξη ή σέρβις

Πριν επικοινωνήσετε με το τμήμα υποστήριξης ή σέρβις, ανατρέξτε στην ενότητα «Αντιμετώπιση προβλημάτων». Μπορεί να γλιτώσετε το κόστος της κλήσης του σέρβις. Εάν εξακολουθείτε να χρειάζεστε βοήθεια, ακολουθήστε τις παρακάτω οδηγίες.

### Εάν χρειάζεστε ανταλλακτικά

Για να εντοπίσετε ανταλλακτικά που καθορίζονται από το εργοστάσιο στην περιοχή σας, επικοινωνήστε με τον αντιπρόσωπο από τον οποίο αγοράσατε το ψυγείο.

### Εγγύηση

Για πληροφορίες σχετικά με την εγγύηση, επικοινωνήστε με τον αντιπρόσωπο από τον οποίο αγοράσατε το ψυγείο.

**Φυλάξτε αυτό το εγχειρίδιο μαζί με την απόδειξη αγοράς για μελλοντική αναφορά. Για σέρβις στο πλαίσιο της εγγύησης απαιτείται αποδεικτικό αγοράς ή της ημερομηνίας εγκατάστασης.**

Σημειώστε τις παρακάτω πληροφορίες σχετικά με τη συσκευή για υποστήριξη ή σέρβις εάν χρειαστείτε ποτέ. Πρέπει να γνωρίζετε τον πλήρη αριθμό μοντέλου και τον σειριακό αριθμό. Μπορείτε να βρείτε αυτές τις πληροφορίες στην ετικέτα μοντέλου και σειριακού αριθμού που βρίσκεται στο εσωτερικό τοίχωμα του θαλάμου ψυγείου.

Αριθμός αντιπροσώπου \_\_\_\_\_

Σειριακός αριθμός \_\_\_\_\_

Διεύθυνση \_\_\_\_\_

Αριθμός τηλεφώνου \_\_\_\_\_


Αριθμός μοντέλου \_\_\_\_\_

Ημερομηνία αγοράς \_\_\_\_\_

# ΦΡΟΝΤΙΔΑ ΨΥΓΕΙΟΥ

## Καθαρισμός

**⚠ ΠΡΟΕΙΔΟΠΟΙΗΣΗ**



**Κίνδυνος έκρηξης**

**Χρησιμοποιείτε μη εύφλεκτα καθαριστικά.**

**Διαφορετικά, μπορεί να προκληθεί θάνατος, έκρηξη ή φωτιά.**

Η απόψυξη όλων των θαλάμων του ψυγείου, του καταψύκτη και της κατάψυξης Flexi (μόνο με WQ9 B1L, 6WM591NIHAS και WQ70900SXX) γίνεται αυτόματα. Ωστόσο, καθαρίζετε όλους τους θαλάμους περίπου μία φορά τον μήνα για να αποφευχθεί ο σχηματισμός οσμών. Σκουπίζετε αμέσως τα υγρά που χύνονται.

### Εξωτερικός καθαρισμός

Ανατρέξτε στις πληροφορίες εξωτερικού καθαρισμού για το μοντέλο σας.

#### Έκδοση 1 — Πόρτα με λείο φινιρίσμα

**ΣΗΜΑΝΤΙΚΟ:** Η φθορά του λείου φινιρίσματος λόγω ακατάλληλης χρήσης καθαριστικών προϊόντων ή χρήσης μη συνιστώμενων καθαριστικών προϊόντων δεν καλύπτεται από την εγγύηση. Τα αιχμηρά ή αμβλύα εργαλεία μπορεί να φθείρουν το φινιρίσμα.

ΧΡΗΣΙΜΟΠΟΙΕΙΤΕ	ΜΗ ΧΡΗΣΙΜΟΠΟΙΕΙΤΕ
✓ Μαλακό, καθαρό πανί	✗ Αποξεστικά πανιά ✗ Χαρτί κουζίνας ή εφημερίδα ✗ Συρμάτινα σφουγγάρια
✓ Ζεστό σαπουνόνερο με ήπιο απορρυπαντικό	✗ Αποξεστικές σκόνες ή υγρά ✗ Σπρέι για τα τζάμια ✗ Αμμωνία ✗ Όξινα καθαριστικά ή καθαριστικά με βάση το ξίδι ✗ Καθαριστικά για τον φούρνο ✗ Εύφλεκτα υγρά

**ΣΗΜΕΙΩΣΗ:** Το χαρτί κουζίνας χαράζει την πόρτα και μπορεί να θολώσει τη διάφανη επικάλυψη της βαμμένης πόρτας. Για να αποφευχθεί πιθανή φθορά, χρησιμοποιείτε μόνο μαλακά, καθαρά πανιά για να γυαλίσετε και να σκουπίσετε τις πόρτες.

#### Έκδοση 2 — Ανοξειδωτος χάλυβας

##### ΣΗΜΑΝΤΙΚΟ:

- Χρησιμοποιείτε μόνο συνιστώμενα καθαριστικά για επιφάνειες από ανοξείδωτο χάλυβα και πανιά. Η φθορά του φινιρίσματος από ανοξείδωτο χάλυβα λόγω ακατάλληλης χρήσης καθαριστικών προϊόντων ή χρήσης μη συνιστώμενων καθαριστικών προϊόντων δεν καλύπτεται από την εγγύηση.
- Αποφεύγετε την έκθεση συσκευών από ανοξείδωτο χάλυβα σε καυστικά ή διαβρωτικά στοιχεία, όπως σε περιβάλλον με υψηλή συγκέντρωση άλατος ή υγρασίας. Η φθορά λόγω έκθεσης σε αυτά τα στοιχεία δεν καλύπτεται από την εγγύηση.

ΧΡΗΣΙΜΟΠΟΙΕΙΤΕ	ΜΗ ΧΡΗΣΙΜΟΠΟΙΕΙΤΕ
✓ Μαλακό, καθαρό πανί	✗ Αποξεστικά πανιά ✗ Χαρτί κουζίνας ή εφημερίδα ✗ Συρμάτινα σφουγγάρια
✓ Ζεστό σαπουνόνερο με ήπιο απορρυπαντικό	✗ Αποξεστικές σκόνες ή υγρά ✗ Αμμωνία ✗ Καθαριστικά με βάση το κιτρικό οξύ ✗ Όξινα καθαριστικά ή καθαριστικά με βάση το ξίδι ✗ Καθαριστικά για τον φούρνο
✓ Για πολύ λερωμένες επιφάνειες, χρησιμοποιείτε μόνο καθαριστικά σχεδιασμένα για συσκευές από ανοξείδωτο χάλυβα. Για να παραγγείλετε το καθαριστικό, επικοινωνήστε με τον αντιπρόσωπο από τον οποίο αγοράσατε το ψυγείο.	✗ Το καθαριστικό για επιφάνειες από ανοξείδωτο χάλυβα προορίζεται μόνο για εξαρτήματα από ανοξείδωτο χάλυβα. Το καθαριστικό και το γυαλιστικό για επιφάνειες από ανοξείδωτο χάλυβα δεν πρέπει να έρχονται σε επαφή με πλαστικά εξαρτήματα, όπως διακοσμητικά στοιχεία, καλύμματα διανομέα ή λάστιχα πόρτας.

#### Έκδοση 3 — Ανοξειδωτος χάλυβας ανθεκτικός στα δαχτυλικά αποτυπώματα

##### ΣΗΜΑΝΤΙΚΟ:

- Αποφεύγετε την έκθεση συσκευών από ανοξείδωτο χάλυβα σε καυστικά ή διαβρωτικά στοιχεία, όπως σε περιβάλλον με υψηλή συγκέντρωση άλατος ή υγρασίας. Η φθορά λόγω έκθεσης σε αυτά τα στοιχεία δεν καλύπτεται από την εγγύηση.

ΧΡΗΣΙΜΟΠΟΙΕΙΤΕ	ΜΗ ΧΡΗΣΙΜΟΠΟΙΕΙΤΕ
✓ Μαλακό, καθαρό πανί	✗ Αποξεστικά πανιά ✗ Χαρτί κουζίνας ή εφημερίδα ✗ Συρμάτινα σφουγγάρια
✓ Ζεστό σαπουνόνερο με ήπιο απορρυπαντικό	✗ Αποξεστικές σκόνες ή υγρά ✗ Σπρέι για τα τζάμια ✗ Αμμωνία ✗ Όξινα καθαριστικά ή καθαριστικά με βάση το ξίδι ✗ Καθαριστικά για τον φούρνο ✗ Εύφλεκτα υγρά

##### ΣΗΜΕΙΩΣΕΙΣ:

- Σε περίπτωση κατά λάθος επαφής, καθαριστικό το πλαστικό εξάρτημα με σφουγγάρι και ήπιο απορρυπαντικό με ζεστό νερό. Σκουπίστε καλά με μαλακό πανί.
- Επειδή το καθαριστικό είναι υγρό, δεν σημαίνει ότι δεν είναι αποξεστικό. Πολλά υγρά καθαριστικά που έχουν ειδική σύνθεση για πλακάκια και λείες επιφάνειες μπορεί να φθείρουν επιφάνειες από ανοξείδωτο χάλυβα.
- Το κιτρικό οξύ αποχρωματίζει μόνιμα τον ανοξείδωτο χάλυβα.
- Για να αποφευχθεί η φθορά του φινιρίσματος του ψυγείου από ανοξείδωτο χάλυβα:

##### Οι παρακάτω ουσίες δεν πρέπει να παραμένουν στο φινιρίσμα:

- ✗ Μουστάρδα
- ✗ Σάλτσες με βάση το κιτρικό οξύ
- ✗ Χυμός ντομάτας
- ✗ Προϊόντα με βάση το κιτρικό οξύ
- ✗ Σάλτσα μαρινάρα

## Εσωτερικός καθαρισμός

1. Αποσύνδεση ψυγείου ή τροφοδοσίας.
2. Πλύνετε διεξοδικά στο χέρι, ξεπλύνετε και σκουπίστε τα αφαιρούμενα εξαρτήματα και τις εσωτερικές επιφάνειες. Χρησιμοποιήστε καθαρό σφουγγάρι ή μαλακό πανί και ήπιο απορρυπαντικό με ζεστό νερό.  
**ΣΗΜΕΙΩΣΗ:** Μη χρησιμοποιείτε αποξεστικά ή ισχυρά καθαριστικά, όπως σπρέι για τα τζάμια, καθαριστικά τριβής, εύφλεκτα υλικά, καθαριστικά με κερί, συμπυκνωμένα απορρυπαντικά, χλωρίνες ή καθαριστικά που περιέχουν προϊόντα πετρελαίου στα πλαστικά και εσωτερικά μέρη, στις επενδύσεις της πόρτας ή στα λάστιχα.
3. Συνδέστε το ψυγείο στην πρίζα ή επανασυνδέστε την τροφοδοσία.

## Καθαρισμός συμπυκνωτή

Το ψυγείο αυτό διαθέτει συμπυκνωτή που είναι ενσωματωμένος και στις δύο πλευρές του ψυγείου. Είναι φυσιολογικό τα πλαϊνά του ψυγείου να είναι ζεστά.

## Φώτα

Τα φώτα στο θάλαμο του ψυγείου και του καταψύκτη είναι λυχνίες LED που δεν χρειάζονται αντικατάσταση. Εάν τα φώτα δεν ανάβουν όταν η πόρτα είναι ανοιχτή, επικοινωνήστε με τον αντιπρόσωπο από τον οποίο αγοράσατε το ψυγείο.

## Φροντίδα κατά τις διακοπές και τη μεταφορά

### Διακοπές

**Εάν αφήσετε το ψυγείο ενεργοποιημένο όταν πρόκειται να απουσιάσετε:**

1. Καταναλώστε τυχόν ευπαθή τρόφιμα και καταψύξτε τα υπόλοιπα.
2. Εάν το ψυγείο σας διαθέτει αυτόματο παρασκευαστή πάγου και είναι συνδεδεμένο στο οικιακό σύστημα ύδρευσης, κλείστε την παροχή νερού προς το ψυγείο. Εάν δεν κλείσετε την παροχή νερού, μπορεί να προκληθούν υλικές ζημιές.
3. Εάν διαθέτετε αυτόματο παρασκευαστή νερού, απενεργοποιήστε τον.
  - Πατήστε τον διακόπτη στη θέση απενεργοποίησης (O) για τον παρασκευαστή πάγου που βρίσκεται στην πόρτα.

4. Αδειάστε το δοχείο πάγου.

**Εάν απενεργοποιήσετε το ψυγείο πριν φύγετε:**

**ΣΗΜΕΙΩΣΗ:** Ρυθμίζετε το ψυγείο στη λειτουργία επίδειξης όταν βρίσκεστε σε διακοπές. Ανατρέξτε στην ενότητα «Χρήση των χειριστηρίων».

1. Αφαιρέστε όλα τα τρόφιμα από το ψυγείο.
2. Εάν το ψυγείο διαθέτει αυτόματο παρασκευαστή πάγου:
  - Κλείστε την παροχή νερού προς τον παρασκευαστή πάγου τουλάχιστον 1 ημέρα πριν.
  - Όταν πέσει το τελευταίο φορτίο πάγου, πατήστε τον διακόπτη στη θέση απενεργοποίησης (O) για να σβήσει η οθόνη στην πάνω εσωτερική πλευρά του ψυγείου, ανάλογα με το μοντέλο.
3. Αδειάστε το δοχείο πάγου.
4. Απενεργοποιήστε τα χειριστήρια θερμοκρασίας. Ανατρέξτε στην ενότητα «Χρήση των χειριστηρίων».
5. Καθαρίστε το ψυγείο, σκουπίστε το και στεγνώστε το καλά.
6. Τοποθετήστε με ταινία λαστιχένιους ή ξύλινους τάκους και στις δύο πόρτες, στο πάνω μέρος τους, ώστε να παραμείνουν λίγο ανοιχτές για κυκλοφορία του αέρα. Με τον τρόπο αυτό, αποτρέπεται ο σχηματισμός οσμών και μούχλας.

## Μεταφορά

Κατά τη μεταφορά του ψυγείου σας σε νέο σπίτι, ακολουθήστε τα παρακάτω βήματα για προετοιμασία του ψυγείου για μεταφορά.

1. Εάν το ψυγείο διαθέτει αυτόματο παρασκευαστή πάγου:
  - Κλείστε την παροχή νερού προς τον παρασκευαστή πάγου τουλάχιστον 1 ημέρα πριν.
  - Αποσυνδέστε τη γραμμή νερού από το πίσω μέρος του ψυγείου.
  - Όταν πέσει το τελευταίο φορτίο πάγου, πατήστε τον διακόπτη στη θέση απενεργοποίησης (O) στον παρασκευαστή πάγου ή στον πίνακα ελέγχου, ανάλογα με το μοντέλο.
2. Αφαιρέστε όλα τα τρόφιμα από το ψυγείο και συσκευάστε όλα τα κατεψυγμένα τρόφιμα σε ξηρό πάγο.
3. Αδειάστε το δοχείο πάγου.
4. Αποσυνδέστε το ψυγείο.
5. Καθαρίστε, σκουπίστε και στεγνώστε καλά.
6. Βγάλτε όλα τα αφαιρούμενα εξαρτήματα, τυλίξτε τα καλά και στερεώστε τα μεταξύ τους με αυτοκόλλητη ταινία, ώστε να μη μετακινηθούν και κάνουν θόρυβο κατά τη μεταφορά.
7. Ανάλογα με το μοντέλο, ανασηκώστε το μπροστινό μέρος του ψυγείου ώστε να κυλίσει πιο εύκολα ή ανασηκώστε τις βίδες οριζοντίωσης ώστε να μην ξύσουν το δάπεδο. Ανατρέξτε στις ενότητες «Ρύθμιση πόρτας» ή «Οριζοντίωση του ψυγείου και κλείσιμο της πόρτας».
8. Κλείστε τις πόρτες με αυτοκόλλητη ταινία και στερεώστε το καλώδιο τροφοδοσίας στο πίσω μέρος του ψυγείου με αυτοκόλλητη ταινία.

Όταν φτάσετε στο νέο σπίτι, τοποθετήστε όλα τα εξαρτήματα πίσω στη θέση τους και ανατρέξτε στην ενότητα «Οδηγίες εγκατάστασης» για τις οδηγίες προετοιμασίας. Επίσης, εάν το ψυγείο σας διαθέτει αυτόματο παρασκευαστή πάγου, μην ξεχάσετε να επανασυνδέσετε την παροχή νερού προς το ψυγείο.

# ΑΝΤΙΜΕΤΩΠΙΣΗ ΠΡΟΒΛΗΜΑΤΩΝ

Δοκιμάστε πρώτα τις λύσεις που προτείνονται εδώ και ενδεχομένως να μη χρειαστεί να επικοινωνήσετε με το τμήμα σέρβις.

## ⚠ ΠΡΟΕΙΔΟΠΟΙΗΣΗ



### Κίνδυνος ηλεκτροπληξίας

**Συνδέστε τη συσκευή σε γειωμένη πρίζα.**

**Μην αφαιρείτε την ακίδα γείωσης.**

**Μη χρησιμοποιείτε προσαρμογέα.**

**Μη χρησιμοποιείτε καλώδιο προέκτασης.**

**Η μη τήρηση αυτών των οδηγιών μπορεί να οδηγήσει σε θάνατο, φωτιά ή ηλεκτροπληξία.**

Εάν προκύψει	Πιθανές αιτίες	Λύση
<b>Λειτουργία ψυγείου</b>		
Το ψυγείο δεν λειτουργεί	Ελέγξτε την ηλεκτρική τροφοδοσία.	Συνδέστε το καλώδιο τροφοδοσίας σε γειωμένη πρίζα. Μη χρησιμοποιείτε καλώδιο προέκτασης. Βεβαιωθείτε ότι η πρίζα έχει ρεύμα. Συνδέστε έναν λαμπτήρα για να διαπιστώσετε εάν η πρίζα λειτουργεί. Εκτελέστε επαναφορά του ενεργοποιημένου ασφαλειοδιακόπτη. Αντικαταστήστε τυχόν καμένες ασφάλειες. <b>ΣΗΜΕΙΩΣΗ:</b> Εάν το πρόβλημα παραμένει, επικοινωνήστε με ηλεκτρολόγο.
	Ελέγξτε τα χειριστήρια.	Βεβαιωθείτε ότι τα χειριστήρια είναι ενεργοποιημένα. Ανατρέξτε στην ενότητα «Χρήση των χειριστηρίων».
	Νέα εγκατάσταση.	Περιμένετε 24 ώρες μετά την εγκατάσταση για να επιτευχθεί πλήρης ψύξη του ψυγείου. <b>ΣΗΜΕΙΩΣΗ:</b> Εάν ρυθμίσετε τα χειριστήρια θερμοκρασίας στη χαμηλότερη τιμή, δεν θα κρυώσουν πιο γρήγορα οι θάλαμοι.
	Το σύστημα ελέγχου του ψυγείου βρίσκεται στη λειτουργία επίδειξης (σε ορισμένα μοντέλα).	Εάν το ψυγείο βρίσκεται στη λειτουργία επίδειξης, η ψύξη απενεργοποιείται και η ένδειξη «λειτουργίας επίδειξης» θα ανάψει στον πίνακα ελέγχου. Για περισσότερες πληροφορίες, ανατρέξτε στην ενότητα «Χρήση των χειριστηρίων».
Το μοτέρ λειτουργεί για μεγάλο χρονικό διάστημα.	Συμπιεστής υψηλής απόδοσης και ανεμιστήρες.	Τα μεγαλύτερα και υψηλότερης απόδοσης ψυγεία λειτουργούν για μεγαλύτερο χρονικό διάστημα σε χαμηλότερες, ενεργειακά αποδοτικότερες ταχύτητες.
	Η θερμοκρασία δωματίου ή η εξωτερική θερμοκρασία είναι υψηλή.	Είναι φυσιολογικό το ψυγείο να λειτουργεί μεγαλύτερο χρονικό διάστημα σε αυτές τις συνθήκες. Για βέλτιστη απόδοση, τοποθετήστε το ψυγείο σε εσωτερικό χώρο ελεγχόμενης θερμοκρασίας. Ανατρέξτε στην ενότητα «Απαιτήσεις χώρου».
	Τοποθετήθηκε πρόσφατα μεγάλη ποσότητα ζεστών τροφίμων.	Όταν τοποθετούνται ζεστά τρόφιμα, το ψυγείο λειτουργεί για μεγαλύτερο χρονικό διάστημα μέχρι να κρυώσει ο αέρας στην επιθυμητή θερμοκρασία.
	Οι πόρτες ανοίγουν πολύ συχνά ή για μεγάλο χρονικό διάστημα.	Ο ζεστός αέρας που εισάγεται στο ψυγείο προκαλεί παρατεταμένη λειτουργία του ψυγείου. Ανοίγετε την πόρτα λιγότερο συχνά.
	Η πόρτα του ψυγείου ή το συρτάρι του καταψύκτη είναι ανοικτό.	Βεβαιωθείτε ότι το ψυγείο είναι οριζοντιωμένο. Ανατρέξτε στην ενότητα «Οριζοντίωση του ψυγείου και κλείσιμο της πόρτας». Τοποθετήστε τα τρόφιμα και τα δοχεία με τέτοιο τρόπο ώστε να μην παρεμποδίζουν την πόρτα.
	Το σύστημα ελέγχου του ψυγείου έχει ρυθμιστεί σε πολύ χαμηλή θερμοκρασία.	Ρυθμίστε το σύστημα ελέγχου του ψυγείου σε υψηλότερη τιμή μέχρι να επιτευχθεί η επιθυμητή θερμοκρασία ψυγείου.
	Το λάστιχο της πόρτας ή του συρταριού είναι βρώμικο, έχει φθαρεί ή σχιστεί.	Καθαρίστε ή αλλάξτε το λάστιχο. Διαρροές στο λάστιχο της πόρτας προκαλούν παρατεταμένη λειτουργία του ψυγείου ώστε να διατηρηθούν οι επιθυμητές θερμοκρασίες.

# ΑΝΤΙΜΕΤΩΠΙΣΗ ΠΡΟΒΛΗΜΑΤΩΝ

Δοκιμάστε πρώτα τις λύσεις που προτείνονται εδώ και ενδεχομένως να μη χρειαστεί να επικοινωνήσετε με το τμήμα σέρβις.

Εάν προκύψει	Πιθανές αιτίες	Λύση
Τα φώτα δεν λειτουργούν.	Το ψυγείο σας διαθέτει λυχνία LED, η οποία δεν χρειάζεται αντικατάσταση.	Εάν το ψυγείο έχει ρεύμα και τα φώτα δεν ανάβουν όταν είναι ανοιχτό το συρτάρι ή η πόρτα, επικοινωνήστε με το τμήμα σέρβις ή υποστήριξης.
	Οι πόρτες παρέμειναν ανοιχτές για διάστημα άνω των 10 λεπτών.	Κλείστε τις πόρτες και το συρτάρι για να εκτελεστεί επαναρρύθμιση και ανοίξτε ξανά για να συνεχίσετε την εργασία σας.
	Ο διακόπτης της πόρτας δεν ανιχνεύει το άνοιγμα της πόρτας.	Βεβαιωθείτε ότι δεν υπάρχουν μαγνήτες ή ηλεκτρονικές συσκευές σε απόσταση 7,62 cm (3") από το κάλυμμα του μεντεσέ.
Η διεπαφή ελέγχου του χειριστηρίου θερμοκρασίας δεν ενεργοποιείται.	Η διεπαφή ελέγχου του χειριστηρίου θερμοκρασίας έχει μεταβεί στη λειτουργία αδράνειας.	Πατήστε ένα οποιοδήποτε κουμπί στη διεπαφή ελέγχου για επαναφορά της λειτουργίας της διεπαφής ελέγχου θερμοκρασίας.
	Τα κουμπιά της διεπαφής ελέγχου του χειριστηρίου θερμοκρασίας δεν λειτουργούν σωστά.	Απενεργοποιήστε και ενεργοποιήστε ξανά το ψυγείο για να εκτελεστεί επαναφορά των κουμπιών. Εάν το πρόβλημα παραμένει, επικοινωνήστε με το τμήμα σέρβις ή υποστήριξης.
	Η διεπαφή ελέγχου του χειριστηρίου θερμοκρασίας δεν έχει ρεύμα.	Ελέγξτε την πλεξούδα καλωδίωσης στον μεντεσέ της πόρτας.
Δεν είναι δυνατή η προσαρμογή της ρύθμισης στη διεπαφή ελέγχου του χειριστηρίου θερμοκρασίας.	Η πόρτα είναι ανοιχτή και έχει ενεργοποιηθεί ο συναγερμός μισάνοιχτης πόρτας.	Κλείστε την πόρτα.
<b>Ασυνήθιστος θόρυβος</b>		
Για τους φυσιολογικούς θορύβους του ψυγείου, μεταβείτε στην ενότητα Βοήθεια για το προϊόν/Συχνές ερωτήσεις στην ιστοσελίδα του προϊόντος και εκτελέστε αναζήτηση για «φυσιολογικούς θορύβους». Ακολουθούν ορισμένοι φυσιολογικοί θόρυβοι με την επεξήγησή τους.		
Το ψυγείο κάνει πολύ θόρυβο.	Ο συμπιεστής στο νέο σας ψυγείο ρυθμίζει τη θερμοκρασία σε πιο αποδοτικά επίπεδα κατά τη χρήση λιγότερης ενέργειας και την αθόρυβη λειτουργία.	Λόγω αυτής της μείωσης στον θόρυβο λειτουργίας, μπορεί να παρατηρήσετε ασυνήθιστους θορύβους, οι οποίοι είναι φυσιολογικοί.
Θόρυβος λειτουργίας συμπιεστή για μεγαλύτερο διάστημα από το αναμενόμενο.	Συμπιεστής υψηλής απόδοσης και ανεμιστήρες.	Τα μεγαλύτερα και υψηλότερης απόδοσης ψυγεία λειτουργούν για μεγαλύτερο χρονικό διάστημα σε χαμηλότερες, ενεργειακά αποδοτικότερες ταχύτητες.
Παλμικός θόρυβος/Βόμβος	Ρύθμιση ανεμιστήρων/συμπιεστή για βελτιστοποίηση της απόδοσης κατά την κανονική λειτουργία του συμπιεστή.	Αυτό είναι φυσιολογικό.
Κρότος	Συστολή/διαστολή των εσωτερικών τοιχωμάτων, ειδικά κατά την αρχική ψύξη της συσκευής.	Αυτό είναι φυσιολογικό.
Σφύριγμα/Στάξιμο	Ροή ψυκτικού ή ροή λαδιού στον συμπιεστή.	Αυτό είναι φυσιολογικό.
Κραδασμοί	Το ψυγείο μπορεί να μην έχει τοποθετηθεί σε σταθερή θέση.	Ρυθμίστε τις βίδες οριζοντίωσης και χαμηλώστε τα πόδια οριζοντίωσης σταθερά σε επαφή με το δάπεδο. Ανατρέξτε στην ενότητα «Οριζόντιωση του ψυγείου και κλείσιμο της πόρτας».
Κροτάλισμα/Χτυπήματα	Μετακίνηση των γραμμών νερού κόντρα στο περίβλημα του ψυγείου ή μετακίνηση αντικειμένων στο πάνω μέρος του περιβλήματος του ψυγείου.	Απομακρύνετε τις γραμμές πλεονάζουσας ποσότητας νερού από το περίβλημα του ψυγείου ή στερεώστε τον σωλήνα στο περίβλημα. Ανατρέξτε στην ενότητα «Σύνδεση της παροχής νερού» ή απομακρύνετε τα αντικείμενα από το πάνω μέρος του ψυγείου.
Τσιτσίρισμα	Στάζει νερό στον θερμαντήρα κατά τον κύκλο απόψυξης.	Αυτό είναι φυσιολογικό.
Ροή νερού/Κελάρυσμα	Μπορεί να ακουστεί όταν λιώνει ο πάγος κατά τον κύκλο απόψυξης και τρέχει το νερό στο δοχείο αποστράγγισης.	Αυτό είναι φυσιολογικό.

# ΑΝΤΙΜΕΤΩΠΙΣΗ ΠΡΟΒΛΗΜΑΤΩΝ

Δοκιμάστε πρώτα τις λύσεις που προτείνονται εδώ και ενδεχομένως να μη χρειαστεί να επικοινωνήσετε με το τμήμα σέρβις.

Εάν προκύψει	Πιθανές αιτίες	Λύση
<b>Θερμοκρασία και υγρασία</b>		
Η θερμοκρασία είναι υπερβολικά υψηλή.	Το ψυγείο μόλις εγκαταστάθηκε.	Περιμένετε 24 ώρες μετά την εγκατάσταση για να επιτευχθεί πλήρης ψύξη του ψυγείου.
	Τα χειριστήρια δεν έχουν ρυθμιστεί σωστά για τις συνθήκες περιβάλλοντος.	Ρυθμίστε τα χειριστήρια σε χαμηλότερη τιμή. Ελέγξτε τη θερμοκρασία σε 24 ώρες. Ανατρέξτε στην ενότητα «Χρήση των χειριστηρίων».
	Οι πόρτες ανοίγουν συχνά ή δεν έχουν κλείσει πλήρως. Το αποτέλεσμα είναι να μπαίνει ζεστός αέρας στο ψυγείο.	Περιορίστε στο ελάχιστο το άνοιγμα της πόρτας και κρατάτε τις πόρτες πλήρως κλειστές.
	Τοποθετήθηκε πρόσφατα μεγάλη ποσότητα τροφίμων.	Περιμένετε μερικές ώρες να επιστρέψει το ψυγείο σε φυσιολογική θερμοκρασία.
	Είναι ενεργοποιημένη η λειτουργία επίδειξης.	Απενεργοποιήστε τη λειτουργία επίδειξης. Ανατρέξτε στην ενότητα «Χρήση των χειριστηρίων».
	Είναι ενεργοποιημένη η λειτουργία διακοπών.	Απενεργοποιήστε τη λειτουργία διακοπών. Ανατρέξτε στην ενότητα «Χρήση των χειριστηρίων».
Η θερμοκρασία στο ψυγείο/ συρτάρι λαχανικών είναι πολύ χαμηλή.	Οι αεραγωγοί του ψυγείου είναι φραγμένοι.	Εάν ο αεραγωγός που βρίσκεται στο μέσον της πίσω πλευράς του θαλάμου ψυγείου είναι φραγμένος από τρόφιμα που έχουν τοποθετηθεί ακριβώς μπροστά του, η θερμοκρασία του ψυγείου θα είναι πολύ χαμηλή. Απομακρύνετε τα τρόφιμα από τον αεραγωγό.
	Τα χειριστήρια δεν έχουν ρυθμιστεί σωστά για τις συνθήκες περιβάλλοντος.	Ρυθμίστε τα χειριστήρια σε υψηλότερη τιμή. Ελέγξτε τη θερμοκρασία σε 24 ώρες. Ανατρέξτε στην ενότητα «Χρήση των χειριστηρίων».
	Το δοχείο πάγου δεν βρίσκεται στη σωστή θέση.	Ανατρέξτε στην ενότητα «Παρασκευαστής πάγου και δοχείο πάγου».
Η θερμοκρασία στο συρτάρι ελεγχόμενης θερμοκρασίας είναι πολύ χαμηλή.	Το σύστημα ελέγχου δεν έχει ρυθμιστεί σωστά για τα τρόφιμα που υπάρχουν στο συρτάρι.	Προσαρμόστε τη ρύθμιση θερμοκρασίας. Ανατρέξτε στην παράγραφο «Χρήση των χειριστηρίων» στην ενότητα «Χρήση του ψυγείου».
Έχει σχηματιστεί υγρασία στο εσωτερικό. <b>ΣΗΜΕΙΩΣΗ:</b> Ο σχηματισμός μερικής υγρασίας είναι φυσιολογικός.	Το δωμάτιο έχει υγρασία.	Το υγρό περιβάλλον συμβάλλει στον σχηματισμό υγρασίας.
	Οι πόρτες ανοίγουν συχνά ή δεν έχουν κλείσει πλήρως. Το αποτέλεσμα είναι να μπαίνει υγρός αέρας στο ψυγείο.	Περιορίστε στο ελάχιστο το άνοιγμα της πόρτας και κλείνετε τις πόρτες πλήρως.
	Υπάρχει εμπόδιο που διατηρεί τις πόρτες ανοικτές.	Απομακρύνετε τις συσκευασίες τροφίμων από την πόρτα.
	Δοχείο ή ράφι εμποδίζει το κλείσιμο της πόρτας.	Τοποθετήστε το δοχείο ή το ράφι στη σωστή θέση.
	Φυλάσσονται υγρά σε ανοιχτά δοχεία.	Το αποτέλεσμα είναι η αύξηση της υγρασίας στο εσωτερικό του ψυγείου. Διατηρείτε όλα τα δοχεία καλά κλεισμένα.
Σχηματισμός πάγου στον θάλαμο καταψύκτη.	Η πόρτα ανοίγει συχνά ή παραμένει ανοιχτή.	Περιορίστε στο ελάχιστο το άνοιγμα της πόρτας και κλείνετε πλήρως το συρτάρι μετά τη χρήση.
	Το λάστιχο της πόρτας έχει φθαρεί.	Βεβαιωθείτε ότι τα λάστιχα της πόρτας εφαρμόζουν καλά στο περίβλημα του ψυγείου, ώστε να διασφαλίζεται επαρκής σφράγιση.
	Τα χειριστήρια της θερμοκρασίας δεν έχουν ρυθμιστεί σωστά.	Για τις συνιστώμενες ρυθμίσεις θερμοκρασίας, ανατρέξτε στην ενότητα «Χρήση των χειριστηρίων».

# ΑΝΤΙΜΕΤΩΠΙΣΗ ΠΡΟΒΛΗΜΑΤΩΝ

Δοκιμάστε πρώτα τις λύσεις που προτείνονται εδώ και ενδεχομένως να μη χρειαστεί να επικοινωνήσετε με το τμήμα σέρβις.

**⚠ ΠΡΟΕΙΔΟΠΟΙΗΣΗ**



**Κίνδυνος έκρηξης**  
**Χρησιμοποιείτε μη εύφλεκτα καθαριστικά.**  
**Διαφορετικά, μπορεί να προκληθεί θάνατος, έκρηξη ή φωτιά.**

Για να δείτε ένα βίντεο σχετικά με τη ρύθμιση και την ευθυγράμμιση της πόρτας, ανατρέξτε στην ενότητα Βοήθεια για το προϊόν/Συχνές ερωτήσεις στην ιστοσελίδα του προϊόντος και εκτελέστε αναζήτηση για «Κλείσιμο και ευθυγράμμιση πόρτας».

Εάν προκύψει	Πιθανές αιτίες	Λύση
<b>Πόρτες</b>		
Οι πόρτες δεν κλείνουν πλήρως.	Υπάρχει εμπόδιο που διατηρεί την πόρτα ανοικτή.	Απομακρύνετε τις συσκευασίες τροφίμων από την πόρτα.
	Δοχείο ή ράφι εμποδίζει το κλείσιμο της πόρτας.	Τοποθετήστε το δοχείο ή το ράφι στη σωστή θέση.
	Το ψυγείο εγκαταστάθηκε πρόσφατα	Αφαιρέστε όλα τα υλικά συσκευασίας.
Οι πόρτες ανοίγουν με δυσκολία.	Τα λάστιχα της πόρτας είναι βρώμικα ή κολλούν.	Καθαρίστε τα λάστιχα και τις επιφάνειες επαφής με ήπιο σαπούνι και ζεστό νερό. Ξεπλύνετε και στεγνώστε με μαλακό πανί.
Οι πόρτες δεν είναι ευθυγραμμισμένες.	Οι πόρτες πρέπει να ευθυγραμμιστούν ή το ψυγείο πρέπει να οριζοντιωθεί.	Εάν πρέπει να ευθυγραμμίσετε την πόρτα, επικοινωνήστε με το τμήμα σέρβις.
Το ψυγείο είναι ασταθές ή κυλά προς τα εμπρός όταν ανοίγουν και κλείνουν οι πόρτες.	Τα πόδια ακινητοποίησης του ψυγείου δεν έρχονται σε επαφή με το δάπεδο.	Περιστρέψτε και τα δύο πόδια ακινητοποίησης (ένα σε κάθε πλευρά) αριστερόστροφα και εξίσου μέχρι να έρχονται σε επαφή με το δάπεδο. Ανατρέξτε στην ενότητα «Οριζόντιωση του ψυγείου και κλείσιμο της πόρτας».



# Tartalomjegyzék

<b>A HŰTŐSZEKRENY BIZTONSÁGA</b> .....	<b>418</b>
A használt hűtőszekrény helyes hulladékba helyezése .....	421
<b>ALKATRÉSZEK ÉS JELLEMZŐK</b> .....	<b>422</b>
<b>ÜZEMBE HELYEZÉSI UTASÍTÁSOK</b> .....	<b>423</b>
Az első lépések .....	423
A hűtőszekrény kicsomagolása .....	423
Elhelyezési követelmények .....	424
Elektromos követelmények .....	424
A hűtőszekrény ajtajainak levétele és cseréje .....	426
A fagyasztó/Flexi fagyasztó ajtajának levétele és cseréje.....	428
A hűtőszekrény szintbe állítása.....	429
A kezelőszervek használata .....	430
A hűtőszekrény világítása .....	431
<b>A HŰTŐSZEKRENY HASZNÁLATA</b> .....	<b>432</b>
Ajtónyitás és ajtócsukás .....	432
Élelmiszerek tárolása .....	432
<b>POLCOK, TARTÓK ÉS FIÓKOK</b> .....	<b>433</b>
Fagyasztó tárolórekeszei.....	434
Hangok áttekintése .....	434
Tartozékok .....	434
Segélyszolgálat vagy szervíz .....	434
<b>A HŰTŐSZEKRENY ÁPOLÁSA</b> .....	<b>435</b>
Tisztítás .....	435
Világítás .....	436
Ápolás nyaralások és költözködések idején.....	436
<b>HIBAKERESÉS</b> .....	<b>437</b>

# A HŰTŐSZEKRENY BIZTONSÁGA

## Az Ön és mások biztonsága rendkívül fontos.

Számos fontos biztonsági üzenetet helyeztünk el ebben a kézikönyvben és a készüléken. Mindig olvassa el az összes biztonsági üzenetet, és tartsa be azokat.



Ez egy biztonsági figyelmeztető jel.

Ez a jel azokra a potenciális veszélyekre figyelmezteti Önt, amelyek Ön vagy mások halálos vagy súlyos sérülését okozhatják.

Minden biztonsági üzenetet követi a biztonsági figyelmeztető jel, valamint a „VESZÉLY” vagy a „VIGYÁZAT” szó.

Ezek a szavak a következőt jelentik:

**⚠ VESZÉLY**

**Halálos vagy súlyos sérülést szenvedhet, ha nem követi azonnal az utasításokat.**

**⚠ VIGYÁZAT**

**Halálos vagy súlyos sérülést szenvedhet, ha nem követi az utasításokat.**

Valamennyi biztonsági üzenet közli, hogy mi a potenciális veszélyhelyzet, közli, hogyan csökkentse a sérülés kockázatát, valamint közli, mi történhet akkor, ha nem követi az utasításokat.

## BIZTONSÁGI UTASÍTÁSOK

A készülék használata előtt olvassa el ezeket a biztonsági utasításokat. Őrizze meg a későbbi használatra. Ezek az utasítások és maga a készülék fontos biztonsági figyelmeztetéseket nyújtanak, amelyeket mindenkor figyelembe kell venni. A gyártó elhárít minden felelősséget a jelen biztonsági utasítások betartásának elmulasztása, a készülék nem rendeltetésszerű használata, illetve a kezelőszervek helytelen beállítása esetén.

⚠ A nagyon kicsi gyermekeket (0-3 éves) távol kell tartani a készüléktől. A kisgyermekeket (3-8 éves) távol kell tartani a készüléktől, hacsak nincsenek folyamatos felügyelet alatt. A készüléket a legalább 8 éves vagy annál idősebb gyermekek és csökkent fizikai, érzékszervi vagy szellemi képességű, illetve tapasztalatlan vagy nem eléggé informált személyek csak abban az esetben használhatják, ha számukra felügyeletet és útmutatást biztosítanak a biztonságos használatot illetően, és megértik a kapcsolódó kockázatokat. Gyermekek nem játszhatnak a készülékkel. A tisztítást és a felhasználói karbantartást nem végezhetik gyermekek felügyelet nélkül.

### MEGEGEDETT HASZNÁLAT

⚠ FIGYELEM: Kialakításából adódóan a készülék működtetése nem lehetséges külső kapcsolószerkezet (például időzítő) vagy külön távvezérlő rendszer útján.

⚠ Ez a készülék háztartásban és hasonló alkalmazások során történő használatra készült, mint például: munkahelyek, üzletek és/vagy irodák személyzeti konyhaterében; gazdaságokban; hotelekben, motelekben, fizetővendéglátó és egyéb szálláshelyeken a vendégek általi használatra.

⚠ A jelen készülék nem professzionális felhasználásra szolgál. Ne használja a készüléket a szabadban.

⚠ A készülék az alábbi környezeti hőmérséklet-tartományokban való üzemeltetésre lett kialakítva, az adattáblán jelzett klimatikus osztálynak megfelelően. Lehetséges, hogy a készülék nem működik megfelelően, ha hosszabb ideig a megadott tartományon kívül eső hőmérsékletnek van kitéve.

Klimatikus osztály Körny. hőm. (°C)

SN: 10 – 32 °C; N: 16 – 32 °C

ST: 16 – 38 °C; T: 16 – 43 °C

⚠ A készülék nem tartalmaz CFC-keket. A hűtőkör R600a-t (HC) tartalmaz. Izobutános készülékek (R600a): az izobután egy környezeti kihatások nélküli természetes, de tűzveszélyes gáz. Ezért győződjön meg arról, hogy nem sérültek-e a hűtőkör csövei, különösen amikor leüríti a hűtőkört.

⚠ VIGYÁZAT: Tilos a készülék hűtőkörének csöveit megrongálni.

⚠ VIGYÁZAT: Tartsa a szellőzőnyílásokat a készülékházon vagy a beépített szerkezetben akadályoktól mentesen.

## FONTOS, HOGY ELOLVASSA ÉS SZEM ELŐTT TARTSA

⚠ VIGYÁZAT: Tilos a gyártó által ajánlottaktól eltérő mechanikus, elektromos vagy vegyi eszközöket alkalmazni a leolvasztási folyamat meggyorsításához.

⚠ VIGYÁZAT: Ne használjon vagy helyezzen el elektromos eszközöket a készülék rekeszeibe, ha azok nem olyan típusúak, mint amit a gyártó kifejezetten engedélyezett.

⚠ VIGYÁZAT: A vízvezetékre nem közvetlenül csatlakoztatott jégkocka-készítőket és/vagy vízadagolókat kizárólag ivóvízzel szabad feltölteni.

⚠ VIGYÁZAT: Az automata jégkockakészítőket és/vagy vízadagolókat csak ivóvizet szolgáltató vízhálózatra szabad csatlakoztatni, amelynek hálózati víznyomása 0,17 és 0,81 Mpa (1,7 és 8,1 bar) között van.

⚠ Ne tároljon robbanásveszélyes anyagokat (például gyúlékony hajtóanyagokkal töltött aeroszolos palackot) a készülékben.

⚠ Tilos lenyelni a jégakkukban (egyres modellekhez mellékelve) található (nem mérgező) folyadékot. A sérülések elkerülése érdekében a fagyasztóból kivett jégkockákat illetve jégdarabokat ne fogyassza azonnal.

⚠ Azon termékek esetében, amelyek úgy vannak kialakítva, hogy légszűrőt használnak egy hozzáférhető ventilátorburkolaton belül, a szűrőnek mindig a helyén kell lennie, amikor a hűtőszekrény üzemel.

⚠ A fagyasztótérben semmilyen folyadékot ne tároljon üvegedényekben, mert azok eltörhetnek. Ne akadályozza a ventilátort (ha van) élelmiszerekkel. Miután behelyezte az élelmiszert, ellenőrizze, hogy a rekeszek ajtajai, különösen pedig a fagyasztó ajtaja, megfelelően záródnak-e.

⚠ A sérült tömítéseket a lehető leghamarabb ki kell cserélni.

⚠ A hűtőtér kizárólag friss élelmiszerek tárolására, a fagyasztótér pedig kizárólag fagyasztott élelmiszerek tárolására, friss élelmiszerek lefagyasztására és jégkockák előállítására használható.

⚠ Kerülje a becsomagolatlan élelmiszerek tárolását oly módon, hogy azok közvetlenül érintkezzenek a hűtőszekrény vagy a fagyasztótér belső felületeivel. A készülékek rendelkezhetnek speciális rekeszekkel (friss élelmiszerek tárolására szolgáló rekesz, nulla fokos doboz stb.). Hacsak nincs másként meghatározva a termék kézikönyvében, ezek az egyenértékű teljesítmény fenntartása mellett eltávolíthatók.

### ÜZEMBE HELYEZÉS

⚠ A készülék mozgatását és üzembe helyezését két vagy több személynek kell végeznie - sérülés veszélye. Használjon védőkesztyűt a készülék kicsomagolásakor és üzembe helyezésekor - vágási sérülés veszélye.

⚠ Az üzembe helyezést, beleértve a vízhálózati (ha szükséges) és az elektromos csatlakoztatást, és a javításokat szakembernek kell végeznie. Ne javítsa meg, illetve ne cserélje ki a készülék semmilyen alkatrészét, hacsak az a művelet nem szerepel kifejezetten a felhasználói kézikönyvben. Tartsa a gyermekeket távol az üzembe helyezés helyszínétől.

A készülék kicsomagolása után ellenőrizze, hogy a szállítás során nem sérült-e meg. Problémák esetén vegye fel a kapcsolatot a kereskedővel vagy a legközelebbi vevőszolgálattal. Az üzembe helyezést követően a csomagolási hulladékot (műanyag, hungarocell darabok stb.) gyermekektől elzárt helyen kell tárolni - fulladásveszély. A készüléket le kell választani az elektromos táphálózatról bármilyen üzembe helyezési művelet előtt - áramütés veszélye. Az üzembe helyezés során győződjön meg arról, hogy a készülék miatt nem sérül-e a hálózati kábel - tűz és áramütés veszélye. Csak akkor aktiválja a készüléket, amikor az üzembe helyezés befejeződött.

⚠ A készülék mozgatása során ügyelni kell a padló (pl. parketta) sérülésének elkerülésére. A készülék üzembe helyezését olyan padlón vagy tartón végezze, amely elég erős ahhoz, hogy elbírja a súlyát, illetve a készülék méreteihez és alkalmazásához megfelelő környezetben végezze. Gondoskodjon róla, hogy a készülék közelében ne legyen hőforrás, és hogy a négy lába stabilan álljon a padlón. Szükség szerint állítsa be a lábakat, majd egy vízmérce segítségével ellenőrizze, hogy a készülék tökéletesen szintben van-e. A készülék bekapcsolása előtt legalább két órát kell várni annak érdekében, hogy a hűtőrendszer tökéletes hatáskörrel működjön.

⚠ A megfelelő szellőzés biztosítása érdekében mindkét oldalon és a készülék fölött is hagyjon egy kis térközt. A készülék hátoldala és a készülék mögötti fal közötti távolság 50 mm legyen, hogy elkerülje a forró felületekhez való hozzáférést. Ennek a térköznek a csökkentése növeli a termék energiafogyasztását.

⚠ VIGYÁZAT: Az instabilitás miatti veszélyek elkerülése érdekében a készülék elhelyezését vagy rögzítését a gyártó utasításaival összhangban kell végezni. Tilos úgy elhelyezni a hűtőszekrényt, hogy a gáztűzhely fém csöve, valamilyen fém cső vagy vízvezeték, illetve villanyvezeték hozzáérjen a hűtőszekrény hátsó falához (a kondenzátor tekercséhez).

⚠ Ha az ajtókat meg kell cserélni, forduljon a Műszaki Segélyszolgálathoz.

## **ELEKTROMOS FIGYELMEZTETÉSEK**

⚠ Lehetővé kell tenni, hogy a készüléket a kábeldugó kihúzásával is le lehessen választani a hálózati áramról, ha maga a dugó elérhető helyen van, illetve egy olyan többállású kapcsolóval is, amely az aljzattól számítva a huzalozási szabályoknak megfelelően az áramlás irányában került telepítésre, a készüléket pedig az országos elektromos biztonsági szabályokkal összhangban le kell földelni.

⚠ Ne használjon hosszabbítókat, többrészes dugaszolóaljzatokat, vagy adaptereket. Az elektromos elemek a telepítést követően nem lehetnek elérhetőek a felhasználó számára. Ne használja a készüléket, ha nedves a teste vagy mezítláb van. Ne használja a készüléket akkor, ha a tápkábel vagy a villásdugó sérült, továbbá ha a készülék nem működik megfelelően, vagy ha megsérült vagy leesett.

⚠ Ha a tápvezeték megsérül, a gyártónak, a gyártó szervizszemélyzetének vagy hasonló képesítéssel rendelkező személynek ugyanolyanra ki kell cserélnie, nehogy áramütés veszélye lépjen fel.

⚠ VIGYÁZAT: A készülék elhelyezése közben ügyeljen, hogy az elektromos kábel ne akadjon be valamibe vagy sérüljön meg.


⚠ VIGYÁZAT: Ne tegyen többállású hordozható aljzatot vagy hordozható áramforrást a készülék háta mögé.

## **TISZTÍTÁS ÉS KARBANTARTÁS**

⚠ VIGYÁZAT: A karbantartási műveletek végrehajtása előtt gondoskodjon róla, hogy a készülék ki legyen kapcsolva és ki legyen húzva a hálózati áramból. Soha ne használjon speciális takarító be rendezéseket – áramütést okozhatnak.

⚠ Ne használjon dörzshatású vagy súroló tisztítószereket, mint például ablaktisztító sprayk, súrolószerek, tűzveszélyes folyadékok, tisztítóviaszok, mosószer-koncentrátumok, fehéritők vagy kőolajtermékeket tartalmazó tisztítószereket műanyag alkatrészekben, belső és ajtóbéléseken vagy tömítésekben. Ne használjon papírtörülközőket, dörzspárnákat vagy más érdes felületű tisztítóeszközöket.


## **A CSOMAGOLÓANYAG HULLADÉKBA HELYEZÉSE**

A csomagolóanyag 100%-ban újrahasznosítható, és el van látva az újrahasznosítás jelével .

A csomagolás különféle részeinek hulladékba helyezését ezért felelősségteljesen és a hulladékok elhelyezését szabályozó helyi rendelkezésekkel teljes összhangban végezze.

## A HÁZTARTÁSI KÉSZÜLÉKEK HULLADÉKBA HELYEZÉSE

Ez a készülék újrahasznosítható és újrafelhasználható anyagok felhasználásával készült. Leselejtezéskor a helyi hulladékelhelyezési szabályokkal összhangban járjon el. A háztartási elektromos készülékek kezelésével, visszanyerésével vagy újrahasznosításával kapcsolatban a helyi hatóság, a háztartási hulladékgyűjtő szolgálat vagy a készüléket értékesítő bolt tud bővebb tájékoztatást adni. Ez a készülék az elektromos és elektronikus berendezések hulladékairól szóló, 2012/19/EU irányelv szerinti jelölést hordozza. Ha ügyel arra, hogy EZ A TERMÉK készülék megfelelő módon kerüljön hulladékba, akkor azzal segít a negatív környezeti és egészségügyi következmények elkerülésében.

A terméken vagy a mellékelt dokumentáción feltüntetett  jelzés arra utal, hogy ez a készülék nem kezelhető háztartási hulladékként, hanem a terméket a villamos és elektronikus berendezések újrahasznosítását végző telephelyek valamelyikén kell leadni.

### ENERGIATAKARÉKOSÁGI TIPPEK

A készüléket száraz, jól szellőztetett helyiségben, hőforrásoktól (pl. radiátor, tűzhely stb.) távol és közvetlen napfénynek nem kitett helyen helyezze üzembe. Szükség esetén használjon szigetelőlemezt.

A megfelelő szellőzés biztosítása érdekében kövesse az üzembe helyezési utasításokat. Az elégtelen szellőzés a készülék hátlapjánál megnöveli az energiafelhasználást, csökkenti a hűtési hatékonyságot.

Az ajtó gyakori kinyitása miatt megnövekedhet az áramfogyasztás. A készülék belső hőmérsékletére és áramfogyasztására a környezeti hőmérséklet, továbbá a készülék elhelyezése is hatással lehet. A hőmérséklet-beállításnak számításba kell vennie ezeket a tényezőket. Csökkentse minimálisra az ajtónyitások számát.

Amikor fagyasztott élelmiszert olvaszt ki, helyezze azt a hűtőszekrénybe. A fagyasztott termékek alacsony hőmérséklete lehűti a hűtőszekrényben lévő élelmiszereket. Hagyja, hogy a meleg ételek és italok lehűljenek, mielőtt a készülékbe helyezné azokat.

A polcok elhelyezési a hűtőszekrényben nincs hatással az energiafelhasználás hatékonyságára. Az élelmiszert úgy helyezze el a polcokon, hogy biztosítsa a levegő megfelelő keringését (az élelmiszerek ne érjenek egymáshoz, és tartson némi távolságot az élelmiszerek és a hátsó fal között).

A kosarak és – ha van – a Stop Frost polc eltávolításával növelni lehet a fagyasztott élelmiszerek tárolási kapacitását.

Ne aggódjon amiatt, ha olyan zajt hall a kompresszor felől, amelyet a termék gyors útmutatója normális zajként tüntet fel.



## A használt hűtőszekrény helyes hulladékba helyezése

### VIGYÁZAT

#### Fulladásveszély

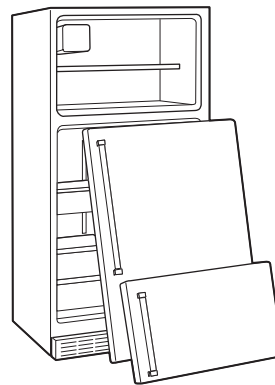
Távolítsa el az ajtókat a régi hűtőszekrényről.

Ennek elmulasztása halált vagy agykárosodást okozhat.

**FONTOS:** A gyermekek bezáródása és fulladása nem a múlt problémája. A kiselejtezett vagy elhagyott hűtőszekrények még mindig veszélyesek – még ha „csak néhány napra” maradnak felügyelet nélkül. Ha kiselejtezi a régi hűtőszekrényét, kérjük, tartsa be ezeket az utasításokat, hogy segítsen elkerülni a baleseteket.

#### Mielőtt a kidobná a régi hűtőszekrényt vagy fagyasztót:

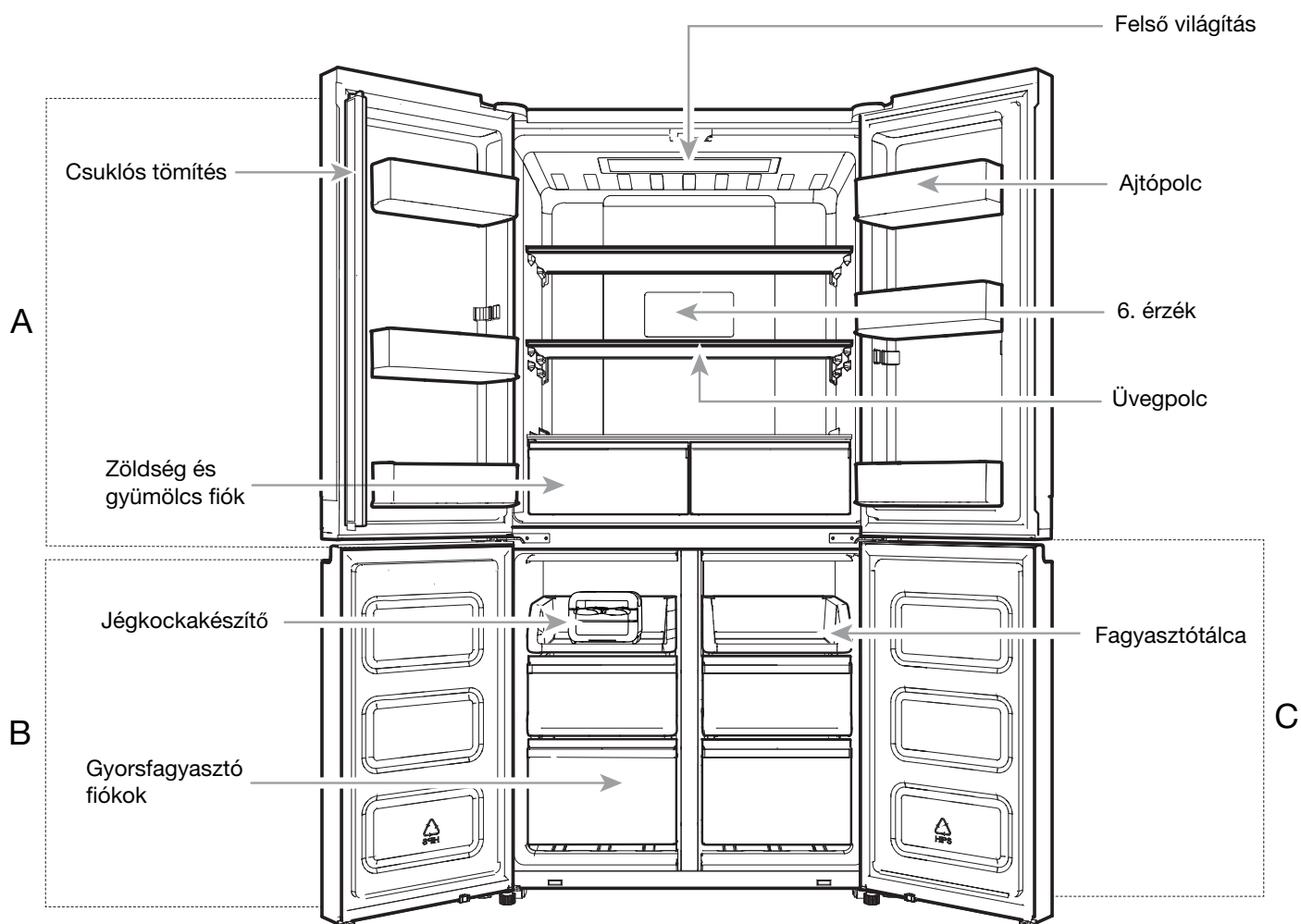
- Vegye le az ajtókat.
- Hagyja a helyükön a polcokat, hogy a gyerekek ne tudjanak könnyen belemászni.



#### Fontos információ, amit tudni kell a hűtőfolyadékok hulladékba helyezéséről:

A hűtőszekrény leselejtezésekor a szövetségi és helyi előírásokkal összhangban járjon el. A hűtőfolyadékokat egy engedéllyel rendelkező hűtőszekrény-szerelőnek kell leengednie a meghatározott eljárásoknak megfelelően.

# ALKATRÉSZEK ÉS JELLEMZŐK



- A . Hűtőszekrény
- B . Fagyasztó
- C . Flexi fagyasztás (csak WQ9 B1L, 6WM591NIHAS és WQ70900SXX esetén)

# ÜZEMBE HELYEZÉSI UTASÍTÁSOK

## Az első lépések ELLENŐRZŐLISTA A TELEPÍTÉSHEZ

✓ Elektromos áram

**⚠ VIGYÁZAT**



**Áramütés veszélye**

**Csatlakoztassa egy földelt aljzatba.**

**Ne távolítsa el a földcsatlakozót.**

**Ne használjon elosztót.**

**Ne használjon hosszabbítót.**

**Ezen utasítások betartásának elmulasztása halálos sérülést, tüzet vagy áramütést eredményezhet.**

- Csatlakoztassa a hűtőszekrényt egy földelt aljzathoz.
- ✓ **Ajtók**
- Ha az ajtókat a telepítés során le kell venni, olvassa el „A hűtőszekrény ajtajainak levétele és cseréje”, valamint „A fagyasztó ajtólapjainak levétele és cseréje” című fejezeteket.
- Az ajtók tökéletesen tömítenek.
- A hűtőszekrény szintben áll. A szintező lábakat úgy kell beállítani, hogy nekifeszüljenek a padlóknak.
- Az ajtók még felül is egy szintben vannak. (Szükség esetén használja az ajtó beállítási funkciót.)
- ✓ **Utolsó ellenőrzések**
- A szállításhoz használt összes anyagot szedje le.
- A hőfokszabályozó gombokat állítsa be az ajánlott értékekre.
- A használati utasítást és a többi dokumentumot őrizze meg.
- Ha ennél sokoldalúbb segítséget szeretne igénybe venni, kérjük, regisztrálja termékét a [www.whirlpool.eu/register](http://www.whirlpool.eu/register) weboldalon.

## A hűtőszekrény kicsomagolása

### ⚠ VIGYÁZAT

#### Túl nagy súly veszélye

**Két vagy több személyt vegyen igénybe a hűtőszekrény áthelyezéséhez vagy üzembe helyezéséhez.**

**Ennek elmulasztása hát- vagy egyéb sérülést eredményezhet.**

#### A hűtőszekrény kiszállítása

Minimum 838 mm-es ajtónyílást kell biztosítani. Ha az ajtónyílás 914 mm vagy ennél kisebb, szükségessé válik az ajtók, a fiók és a zsanérok levétele.

Gurítsa el a hűtőszekrényt oldalról, hogy legyen hely az ajtónyílásoknak.

#### A hűtőszekrény áthelyezésekor:

A hűtőszekrény nehéz. A hűtőszekrény tisztítás vagy szervizelés céljából történő áthelyezésekor ügyeljen arra, hogy a padlót fedje le kartonpapírral vagy farostlemezzel a padló sérülésének megelőzése érdekében. Mindig felállítva húzza a hűtőszekrényt, amikor áthelyezi. Ne billegtesse vagy „sétáltassa” a hűtőszekrényt, amikor megpróbálja áthelyezni, mert megsérülhet a padló.

#### A csomagolás eltávolítása

- Távolítsa el a ragasztószalagokat és a ragasztómaradványokat a felületekről, mielőtt bekapcsolja a hűtőszekrényt. Dörzsöljön kis mennyiségű folyékony mosogatószerrel a ragasztóanyagot az ujjaival. Törölje le meleg vízzel, és szárítsa meg.
- Ne használjon éles eszközöket, alkoholt, gyúlékony folyadékokat vagy dörzshatású tisztítószereket a ragasztószalagok vagy a ragasztómaradványok eltávolításához. Ezek a termékek károsíthatják a hűtőszekrény felületét.
- Az összes csomagolóanyag hulladékba helyezése/újrahasznosítása.

#### Tisztítás használat előtt

Miután eltávolított minden csomagolóanyagot, használat előtt tisztítsa meg a hűtőszekrény belsejét. Lásd „A hűtőszekrény ápolása” című fejezetben a tisztításra vonatkozó utasításokat.

#### Fontos információ, amit tudni kell az üvegpolicokról és -fedelekről:

Ne tisztítsa az üvegpolicokat vagy fedeleket meleg vízzel, amikor azok hidegek. A pocok és fedelek eltörhetnek, ha hirtelen hőmérséklet-változásnak vagy behatásnak (pl. ütődés) vannak kitéve. A hókezelt üveg úgy van kifejlesztve, hogy sok kicsi, kavics méretű darabra törjön. Ez normális jelenség. Az üvegpolicok és -fedelek nehezek. Mindkét kezét használja a kivételükkor, hogy elkerülje a leesést.

## Elhelyezési követelmények

### ⚠ VIGYÁZAT



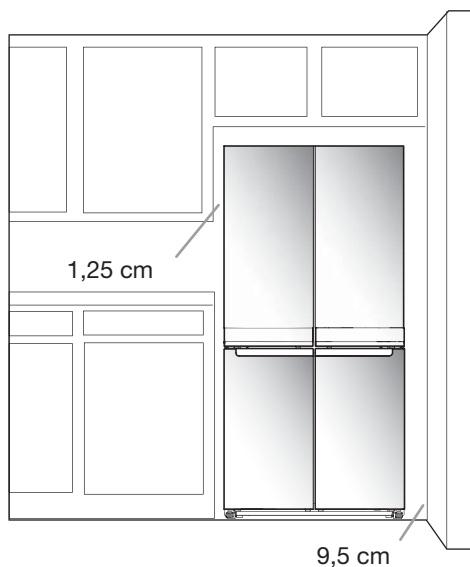
#### Robbanásveszély

Tartsa a gyúlékony anyagokat és gőzöket, mint például a benzint, a hűtőszekrénytől távol.

Ennek elmulasztása halálos sérülést, robbanást vagy tüzet okozhat.

A hűtőszekrény megfelelő szellőztetése érdekében minden oldalon és a hűtőszekrény tetején is hagyjon egy 1,25 cm-es rést. Hagyjon 5 cm térközt a hűtőszekrény mögött. Ha a hűtőszekrényben jégkocka készítő is van, hátul még több helyet kell biztosítani a vízvezeték csatlakozásai számára. Amikor rögzített fal mellé telepíti a hűtőszekrényt, a hűtőszekrény és a fal között hagyjon egy minimálisan 9,5 cm-es rést az ajtó tágra nyitásához.

**MEGJEGYZÉS:** A hűtőszekrényt olyan helyre tervezték, ahol a hőmérséklet a minimális 10 °C és a maximális 43 °C között ingadozik. 15 °C és 32 °C között van az a szobahőmérséklet tartomány, amely optimális teljesítményt tud biztosítani, mérsékli az áramfogyasztást és gondoskodik a kiváló hűtésről. Nem ajánlott hőforrás – például sütő vagy radiátor - közelébe telepíteni a hűtőszekrényt.



## Elektromos követelmények

### ⚠ VIGYÁZAT



#### Áramütés veszélye

Csatlakoztassa egy földelt aljzatba.

Ne távolítsa el a földcsatlakozót.

Ne használjon elosztót.

Ne használjon hosszabbítót.

Ezen utasítások betartásának elmulasztása halálos sérülést, tüzet vagy áramütést eredményezhet.

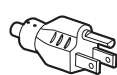
**FONTOS:** A készülék üzembe helyezését és az elektromos csatlakoztatásokat szakképzett villanyszerelőnek kell elvégeznie, a gyártó utasításainak és a helyi biztonsági előírásoknak megfelelően.

- A hűtőszekrény egy külön 220-240 voltos, 10 amperes, 50/60 Hz-es áramkörön való üzemelésre van tervezve.
- Győződjön meg arról, hogy a készülék adattábláján jelzett feszültségérték megegyezik-e az otthoni hálózati feszültséggel.
- Biztosítani kell, hogy a készüléket a konnektorból kihúzza vagy a konnektor fölé elhelyezett kétpólusú hálózati kapcsoló segítségével lehessen lecsatlakoztatni a hálózatról.
- Ha a hálózati tápvezeték megsérült, cseréjét a gyártónak, a vevőszolgálat munkatársának vagy egy hasonlóan szakképzett személynek kell elvégeznie a veszélyek elkerülése érdekében.

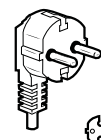
Mielőtt a hűtőszekrényt annak végleges helyére helyezné, fontos meggyőződnie arról, hogy rendelkezik-e megfelelő elektromos csatlakozással:

#### Ajánlott földelési módszer

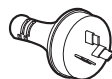
220-240 Volt 50 Hz, 220 Volt 60 Hz vagy 230/240 Volt 50 Hz váltóáramú, csak 10 A-es biztosítékkal rendelkező és földelt áramellátásra van szükség.



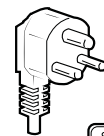
B típus



E és F típus



I típus



M típus



G típus

#### Ausztrália és Új-Zéland esetében:

Ez az új készülék kifejezetten úgy lett legyártva, hogy megfeleljen az összes ausztrál szabványnak és kikötésnek.

Az üzembe helyezési utasításokban szereplő egyes megjegyzések más országokban érvényes követelményekre vonatkozhatnak, ezért kiemelten felhívjuk a figyelmét ezekre a speciális megjegyzésekre.

A készüléket egy 230/240 voltos, 50 Hz-es váltakozó áramú, kizárólag 10 amperes földelt aljzatba kell csatlakoztatni.



## Elektromos követelmények (kizárólag Anglia és Írország esetében)

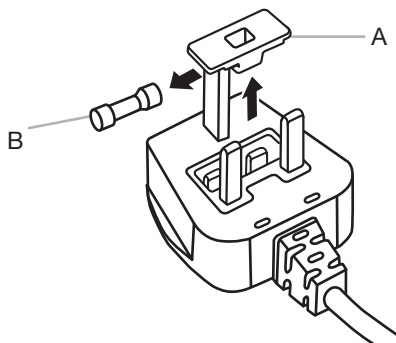
**FONTOS:** A hűtőszekrény le kell földelni.

### Biztosítékcseré

Ha a hűtőszekrény hálózati csatlakozóvezetéke BS1363A szerinti 13 amperes biztosítékos dugasszal van szerelve, az ilyen típusú biztosítékot csak az A.S.T.A. által jóváhagyott, a BS 1362 típusú biztosítékkal cserélje ki, a következők szerint eljárva:

1. Távolítsa el a biztosítékfedelelet (A) és a biztosítékot (B).
2. Helyezzen be új 13 A-es biztosítékot a biztosítékházba.
3. Illesse vissza mind a biztosítékot, mind a biztosítékházat a dugaszba.

**FONTOS:** A biztosítékházat a biztosíték kicserélésekor kell visszailleszteni. Ha a biztosítékház elveszett, a dugaszt mindaddig tilos használni, amíg megfelelő cseréről nem gondoskodott. A megfelelő csere a színes betétről, vagy a biztosíték alján lévő színes dombornyomású „szóról” azonosítható. A csere biztosítékház a villamossági boltokban szerezhető be.



A. Biztosítékház

B. Biztosíték

### Csak az Ír Köztársaság esetében:

Sok esetben a Nagy-Britanniára vonatkozóan megadott információ érvényes, de egy harmadik típusú dugasz és hálózati aljzat is használatban van, a 2 érintkezőcsapos, oldal földeléses típusú.

### Aljzat/dugasz (érvényes mindkét ország esetében):

Ha a felszerelt dugasz az Ön hálózati aljzatához nem alkalmas, kérjük, további útmutatásért forduljon az Ügyfélszolgálathoz. Ne próbálja meg saját maga kicserélni a dugaszt. Ezt a műveletet szakképzett szerelőnek kell elvégeznie a gyártó utasításainak és a hatályos biztonsági előírásoknak megfelelően.

## Hőmérséklet

Ez a hűtőszekrény az alábbi környezeti hőmérséklet-tartományokban való üzemeltetésre lett kialakítva, az adattáblán jelzett klimatikus osztálynak megfelelően. Lehetséges, hogy a hűtőszekrény nem működik megfelelően, ha hosszabb ideig a megadott tartományon kívül eső hőmérsékletnek van kitéve.

**MEGJEGYZÉS:** Nem ajánlott hőforrás, például sütő vagy radiátor közelébe telepíteni a hűtőszekrényt.

Klimatikus osztály	Körny. T. (°C)	Körny. T. (°F)
SN	10 és 32 között	50 és 90 között
N	16 és 32 között	61 és 90 között
ST	16 és 38 között	61 és 100 között
T	16 és 43 között	61 és 110 között

## A hűtőszekrény ajtajainak levétele és cseréje

**MEGJEGYZÉS:** Az ajtónyílás szélességének megméréseivel állapítsa meg, hogy az otthonába telepített hűtőszekrényről le kell-e venni az ajtókat vagy sem. Ha az ajtó eltávolítása szükséges, lásd a következő utasításokat.

**FONTOS:** Ha a hűtőszekrény korábban már üzembe volt helyezve és most kiköltözteti az otthonából, az ajtók levétele előtt kapcsolja ki a hűtőszekrény szabályozását. Húzza ki a hűtőszekrény tápkábelét, vagy válassza le a táplálást. Vegyen ki minden ételt, rekesztagolót vagy kisegítő tartályt az ajtókból.

Mielőtt levennie az ajtókat, gyűjtse össze a szükséges szerszámokat és olvassa el a használati utasítást.

**SZÜKSÉGES SZERSZÁMOK:** 6 mm-es csőkulcs, 5 mm-es csőkulcs, valamint 2-es csillagfejű csavarhúzó.



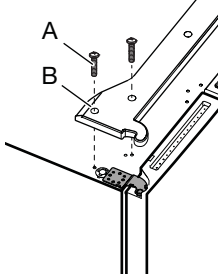
### ⚠ VIGYÁZAT

#### Áramütés veszélye

Az ajtó eltávolítása előtt csatlakoztassa le az áramforrásról.

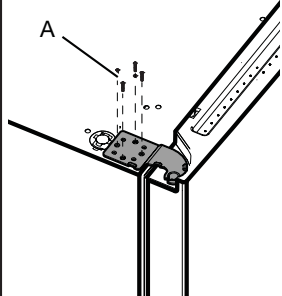
Ennek elmulasztása áramütést vagy halálos balesetet eredményezhet.

#### Bal felső zsanérfedél



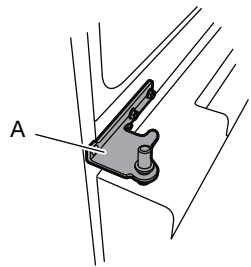
A. Felső zsanérfedél csavarjai  
B. Felső zsanérfedél

#### Bal felső zsanér



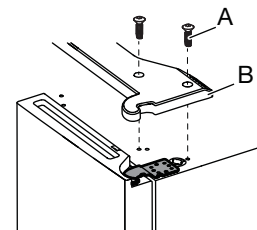
A. 5 mm-es fejes csavarok

#### Bal középső zsanér



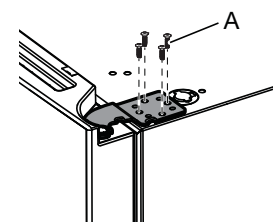
A. Zsanér

#### Jobb felső zsanérfedél



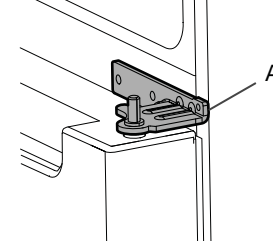
A. Felső zsanérfedél csavarjai  
B. Felső zsanérfedél

#### Jobb felső zsanér



A. 5 mm-es fejes csavarok

#### középső Jobb zsanér



A. Zsanér

## ⚠ VIGYÁZAT

### Túl nagy súly veszélye

Két vagy több személyt vegyen igénybe a hűtőszekrény ajtajának emeléséhez.

Ennek elmulasztása hát- vagy egyéb sérülést eredményezhet.

### A hűtőszekrény ajtajainak eltávolítása

## ⚠ VIGYÁZAT



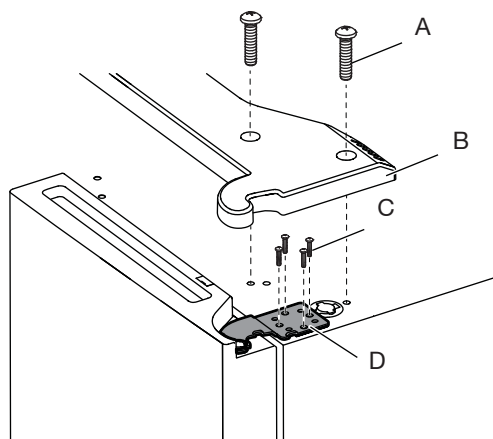
### Áramütés veszélye

Az ajtó eltávolítása előtt csatlakoztassa le az áramforrásról.

Ennek elmulasztása áramütést vagy halálos balesetet eredményezhet.

### A jobb oldali ajtó levétele

1. Húzza ki a hűtőszekrény tápkábelét, vagy válassza le a táplálást.
  2. Egészen addig tartsa becsukva a hűtőszekrény ajtóit, amíg készen nem áll arra, hogy leemelje őket a házról.
- MEGJEGYZÉS:** Biztosítson kiegészítő alátámasztást a hűtőszekrényajtó számára, miközben a zsanérokat eltávolítja. Ne bízta teljesen az ajtó tömítés mágnesére, hogy az ajtót a helyén tartsák, miközben Ön dolgozik.
3. Egy csillagfejű csavarhúzó segítségével vegye le a felső zsanér borítását.
  4. Az 5 mm-es csőkulcs segítségével vegye ki a felső zsanért tartó négy csavart és tegye őket félre.



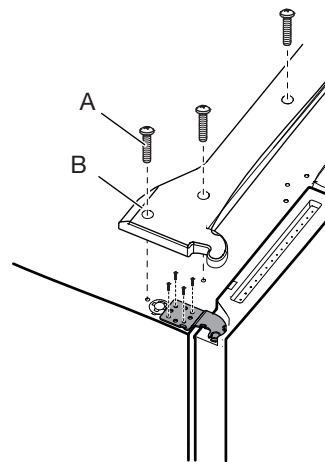
- A. Felső zsanérfedél csavarja  
B. Felső zsanérfedél  
C. 5 mm-es fejes csavar  
D. Felső zsanér

5. Emelje le a hűtőszekrény ajtaját a középső zsanér csapjáról. A felső zsanér az ajtóval együtt lejön.

### A bal oldali ajtó levétele

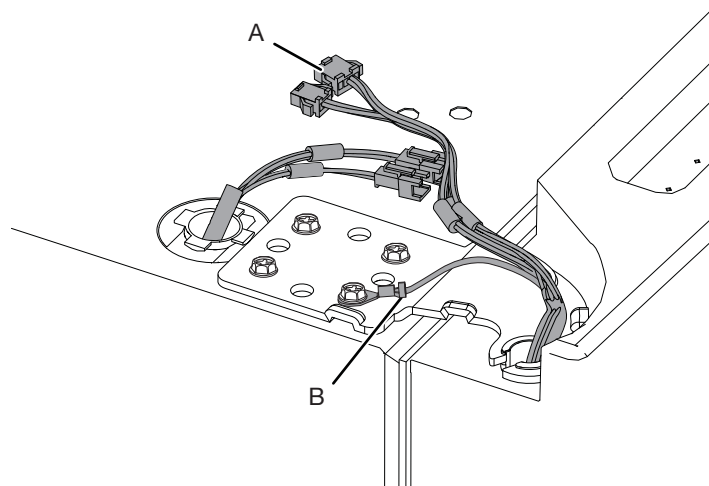
**FONTOS:** A felhasználói felület huzalozása a bal oldali ajtó zsanérján halad keresztül, az ajtó levétele előtt tehát meg kell szüntetni a bekötéseket.

1. Egy csillagfejű csavarhúzó segítségével vegye le a felső zsanér borítását.



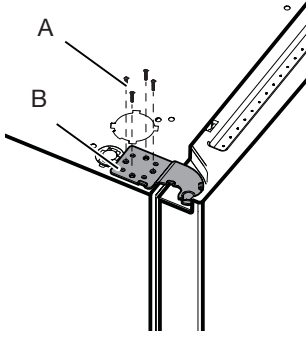
- A. Felső zsanérfedél csavarja  
B. Felső zsanérfedél

2. Szüntesse meg az ajtó zsanér tetején lévő két hálózati dugó bekötését.
  - Minden oldalról fogja meg a hálózati dugókat. A bal hüvelykujjával lenyomva oldja ki a kapcsot és húzza szét egymástól a dugók két felét.



- A. Kábeldugasz  
B. Földelő csatlakozó

- Az 5 mm-es csőkulcs segítségével vegye ki a felső zsanért tartó négy belső csavart és tegye őket félre.



A. 5 mm-es fejes csavarok  
B. Felső zsanér

**MEGJEGYZÉS:** Biztosítson kiegészítő alátámasztást a hűtőszekrényajtó számára, miközben a zsanérokat eltávolítja. Ne bízva teljesen az ajtótmítés mágnesére, hogy az ajtót a helyén tartsák, miközben Ön dolgozik.

- Emelje le a hűtőszekrény ajtót az alsó zsanér csapjáról. A felső zsanér az ajtóval együtt lejön.

**MEGJEGYZÉS:** Szükség lehet arra, hogy eltávolítsa a zsanérokat és a fékezőláb-szerelvényeket annak érdekében, hogy be lehessen vinni a hűtőszekrényt az ajtónyíláson.

- Csak szükség esetén használjon 6 mm-es csőkulcsot és 2-es csillagcsavarhúzót a középső zsanér levételéhez.

#### Tegye vissza a hűtőszekrény jobb oldali ajtaját.

- Állítsa rá a jobb oldali ajtót a középső zsanér csapjára.
- A felső zsanér csapját illessze be a hűtőszekrény ajtó felső részében lévő nyílásba.
- Négy darab 5 mm-es fejes csavar segítségével rögzítse a hűtőszekrény házához a zsanért. Ne szorítsa meg teljesen a csavarokat.

#### Tegye vissza a hűtőszekrény bal oldali ajtaját.

- Állítsa rá a bal oldali ajtót a középső zsanér csapjára.
- Négy darab 5 mm-es fejes csavar segítségével rögzítse a hűtőszekrény házához a zsanért. Ne szorítsa meg teljesen a csavarokat.
- Kösse vissza az elektromos vezetékeket.
  - Nyomja össze a hálózati dugó két felét.
  - Kösse vissza a földvezetéket a zsanér csavarjához.

#### Befejező lépések

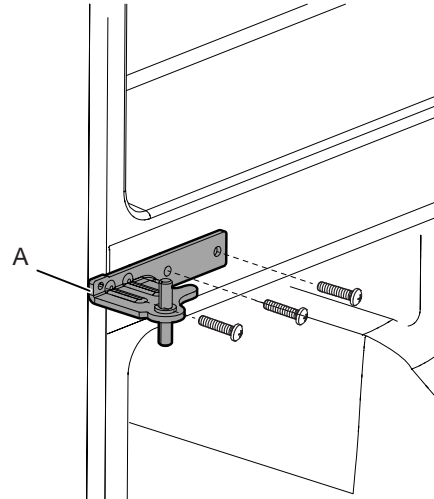
- Teljesen szorítsa meg a nyolc darab 5 mm-es fejes csavart.
- Helyezze vissza a felső zsanérfedeleket.

## A fagyasztó/Flexi fagyasztó ajtajának levétele és cseréje

- Egészen addig tartsa becsukva a fagyasztó ajtóit, amíg készen nem áll arra, hogy leemelje őket a hűtőszekrény házról.

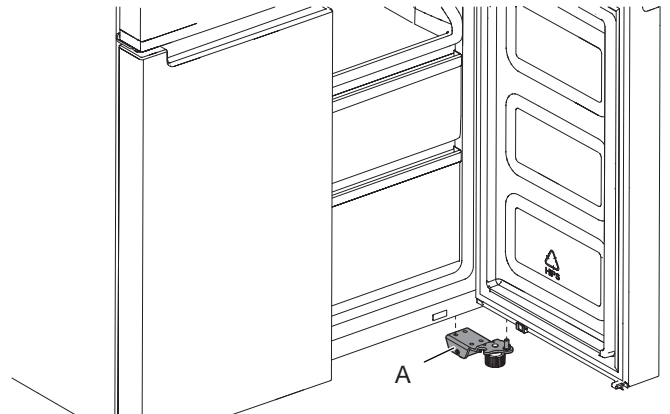
**MEGJEGYZÉS:** Biztosítson kiegészítő alátámasztást a fagyasztóajtó számára, miközben a felső zsanérokat visszahelyezi. Ne bízva teljesen az ajtótmítés mágnesére, hogy az ajtót a helyén tartsák, miközben Ön dolgozik.

- Egy 2-es csillagcsavarhúzó és egy 6 mm-es csőkulcs segítségével vegye le a hűtőszekrény házról a középső zsanért.



A. Középső zsanér

- Emelje le a fagyasztóajtót az alsó zsanér csapjáról.



A. Alsó zsanér

## ⚠ VIGYÁZAT



### Áramütés veszélye

Csatlakoztassa egy földelt aljzatba.

Ne távolítsa el a földcsatlakozót.

Ne használjon elosztót.

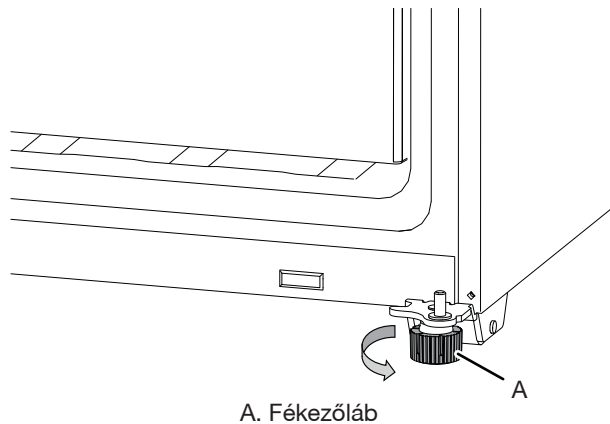
Ne használjon hosszabbítót.

Ezen utasítások betartásának elmulasztása halálos sérülést, tüzet vagy áramütést eredményezhet.

1. Csatlakoztassa egy földelt aljzatba.
2. Tegyen vissza minden mozdítható elemet és ételt a fiókokba.

## A hűtőszekrény szintbe állítása

1. Állítsa be a hűtőszekrényt a végleges helyére.
2. Kézzel forgassa el a fékező lábakat. Forgassa őket az óramutató járásával ellentétes irányban addig, amíg a görgők el nem emelkednek a padlóról és mindkét fékező láb neki nem feszül a padlónak. Ez gondoskodik arról, hogy a hűtőszekrény ne guruljon előre az ajtók kinyitásakor.



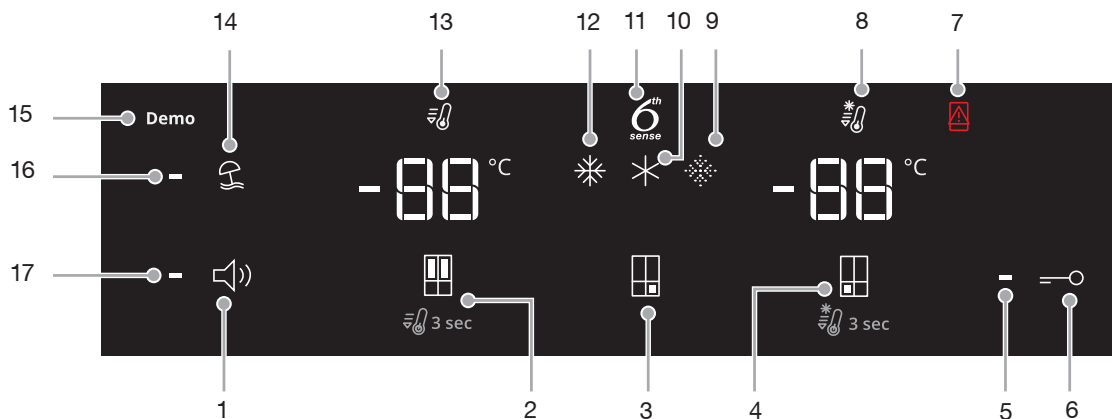
A. Fékezőláb

**FONTOS:** Ha további beállításokat kell végezni a fékező lábak segítségével, mindkét fékező lábat ugyanolyan mértékben kell elforgatni, hogy a hűtőszekrény szintben maradjon.

3. Egy szintező segítségével ellenőrizze, hogy a hűtőszekrény oldalirányban és előlről hátrafelé szintben áll-e.

## A kezelőszervek használata

Az érintésre működésbe lépő kezelőszervek a hűtőszekrény bal oldali ajtaján találhatóak. A kezelőlap tájékoztat a különböző gombokról és kijelzőkről. A hűtőszekrény és a fagyasztó hőmérsékletének kijelzői az utoljára beállított hőmérsékleti értékeket mutatják.



1. Hang BE/KI gomb
2. Hűtőszekrény hőmérséklet-szabályozó gombja (Gyorshűtéshez tartsa 3 másodpercig lenyomva)
3. Flexi fagyasztás előre beállított hőmérséklete gomb (csak WQ9 B1L, 6WM591NIHAS és WQ70900SXX esetén)
4. Fagyasztó hőmérséklet-szabályozó gombja (Gyorsfagyasztáshoz tartsa 3 másodpercig lenyomva)
5. Gombzár jelzés
6. Gombzár gomb
7. Ajtó nyitva jelzés
8. Gyorsfagyasztás jelzés
9. Enyhe fagyasztás jelzés (csak WQ9 B1L, 6WM591NIHAS és WQ70900SXX esetén)
10. Mérsékelt fagyasztás jelzés (csak WQ9 B1L, 6WM591NIHAS és WQ70900SXX esetén)
11. 6. érzék jelzés
12. Erős fagyasztás jelzés (csak WQ9 B1L, 6WM591NIHAS és WQ70900SXX esetén)
13. Gyorsfagyasztás jelzés
14. Nyaralás üzemmód gombja
15. Demo üzemmód jelzése (csak WQ9 B1L, 6WM591NIHAS és WQ70900SXX esetén)
16. Nyaralás üzemmód kijelzője
17. Hangjelző

A kezelőlap egy perc használaton kívüli állapot után automatikusan kikapcsol. A kezelőlapot bármelyik gomb lenyomásával ki tudja kapcsolni.

### - A hőmérséklet-beállítási pontok megtekintése és módosítása

#### A hűtőszekrény és a fagyasztó rekesz hőmérsékletének beállítása:

A hűtőszekrény és a fagyasztó kezelőszerveit az Ön kényelme érdekében a gyárban előre beállították.

A hűtőszekrény első alkalommal történő üzembe helyezésekor ellenőrizze, hogy a kezelőgombok az ajánlott beállítási pontokra vannak-e még állítva. A gyár által ajánlott beállítási pont 3 °C a hűtőszekrény és -18 °C a fagyasztó esetében.

A Hűtőszekrény vagy a Fagyasztó hőmérséklet-szabályozó gombjának lenyomása váltogatni fogja a Celsius fokban (°C) megadott hőmérséklet beállítási pontokat.

#### FONTOS:

- Várjon 24 órát, mielőtt élelmiszereket helyezne be a hűtőszekrénybe. Megromolhat az élelmiszer, ha azt a hűtőszekrény teljes lehűlése előtt helyezi be.

**MEGJEGYZÉS:** A beállítási pontoknak az ajánlottnál hidegebb beállításra állítása nem végzi el a rekeszek hűtését semmivel se gyorsabban.

- Ha a hőmérséklet a hűtőszekrényben vagy a mélyhűtőben túl magas vagy túl alacsony, a kezelőszervek átállítása előtt először a szellőzőnyílásokat ellenőrizze, annak biztosítása érdekében, hogy nincsenek eltömve.
- Az ajánlott értékeknek helyeseknek kell lenniük a normál háztartási használathoz. A kezelőszervek akkor vannak helyesen beállítva, amikor a tej vagy a gyümölcsle olyan hideg, ahogy szereti, és a jégkrém kemény.

**MEGJEGYZÉS:** Lehet, hogy az olyan területeken, mint a garázsban, az alagsorban vagy a tornácra nagyobb a páratartalom vagy szélsőségebbek a hőmérsékletek. Lehet, hogy az ajánlott hőmérsékletektől eltérő értékeket kell beállítania, hogy igazodni tudjon a fenti körülményekhez.

- Várjon legalább 24 órát a beállítások között. Ellenőrizze ismét a hőmérsékleteket, mielőtt más módosításokat hajtana végre.

### 6. érzék frissen tartás és Fagyasztásszabályozó funkciók

A 6. ÉRZÉK frissen tartás érzékelő pontos és állandó hőmérséklet-szabályozásról gondoskodik, hogy az étel – a legtermészetesebb módon – hosszabb ideig megőrizze frissességét. Bármilyen hőmérsékletváltozás észlelése esetén az érzékelő aktivál egy kompresszort, amely gyorsan visszaállítja az eredeti hőmérsékletet.

A 6. ÉRZÉK fagyasztás érzékelő az innovatív hőmérsékletkezelő rendszer segítségével minimálisra szorítja a fagyasztó belsejében a hőmérsékletingadozást. A fagyási károk csökkennek, az étel minősége és színe pedig megmarad.

### Flexi fagyasztás beállítása (csak WQ9 B1L, 6WM591NIHAS és WQ70900SXX esetén)

A Flexi fagyasztás funkció segítségével előre beállított hőmérsékletekre lehet ugrni a Flexi fagyasztó rekeszben.

Szimbólum	Funkció	Hőmérséklet
	Hagyományos fagyasztó	-18 °C
	Mérsékelt fagyasztó	-12 °C
	Enyhe fagyasztó	-7 °C

\* A leghidegebb beállított érték (-20 °C) be-/kikapcsolásához tartsa 3 másodpercig lenyomva a Flexi fagyasztás előre beállított hőmérséklete gombot .

## Több hőmérsékletet takarékos érték beállítása

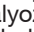

- Hagyományos fagyasztó (-18 °C): Már eleve fagyasztott és friss étel (max. 12 hónap)
- Mérsékelt fagyasztó (-12 °C): Már eleve fagyasztott étel (max. 1 hónap)
- Enyhe fagyasztó (-7 °C): Már eleve fagyasztott étel (max. 1 hét)

A hőmérséklet beállítási pontjainak beállításakor használja a következő táblázatot útmutatóként:

KÖRÜLMÉNY:	HŐMÉRSÉKLET BEÁLLÍTÁSA
Hűtőszekrény túl hideg	1°-kal magasabb hűtőszekrény-beállítás
Hűtőszekrény túl meleg	1°-kal alacsonyabb hűtőszekrény-beállítás
Fagyasztó túl hideg	1°-kal magasabb fagyasztó-beállítás
Fagyasztó túl meleg / túl kevés jég	1°-kal alacsonyabb fagyasztó-beállítás



## Gyorshűtés

A Gyorshűtés funkció akkor hasznos, ha a hűtőszekrény erősebb igénybevételnek van kitéve, mint például gyakori használat esetén, nagybevásárlás után, vagy ideiglenesen magas környezeti hőmérséklet esetén.

- A Gyorshűtés funkció bekapcsolásához nyomja le és tartsa 3 másodpercig lenyomva a hűtőszekrény hőmérséklet-szabályozó gombját . A funkció bekapcsolt állapotában kigyullad a Gyorshűtés ikonja. A Gyorshűtés funkció 2 óráig bekapcsolva marad, hacsak manuálisan ki nem kapcsolják.
- A Gyorshűtés funkció manuális kikapcsolásához nyomja le és tartsa 3 másodpercig lenyomva a hűtőszekrény hőmérséklet-szabályozó gombját . A Gyorshűtés ikon kikapcsol, ha a funkció a használaton kívül van.
- A hűtőszekrény hőmérsékletének módosítása automatikusan kikapcsolja a Gyorshűtés funkciót.

## Gyorsfagyasztás

A friss élelmiszerek mennyisége (kg-ban), amelyet 24 óra alatt le lehet fagyasztani, fel van tüntetve a készülék adattábláján.

- 24 órával azelőtt, hogy friss ételt tenne be a fagyasztóba, nyomja le 3 másodpercre a fagyasztó hőmérséklet-szabályozó gombját  (amíg a Gyorsfagyasztás kijelző gomb ki nem gyullad). Miután behelyezte a friss élelmiszert a fagyasztóba, a Gyorsfagyasztás funkció 24 órás alkalmazása általában elegendő. 50 óra elteltével a gyorsfagyasztás funkció automatikusan kikapcsol.
- A Gyorsfagyasztás funkció manuális kikapcsolásához nyomja le és tartsa 3 másodpercig lenyomva a fagyasztó hőmérséklet-szabályozó gombját . Eltűnik a Gyorsfagyasztás ikon.
- A fagyasztó hőmérsékletének módosítása automatikusan kikapcsolja a Gyorsfagyasztás funkciót.

## Szabadság üzemmód

Ez az üzemmód arra készült, hogy amikor a készülék nincs rendszeresen használatban (például amikor nyaralni megy), ne pazarolja az energiát.

Ennek a funkciónak a kiválasztásakor a hűtőszekrény rekesz hőmérsékletének beállítása automatikusan a legmagasabb beállított értékre módosul.

- A Nyaralás üzemmód használatához addig nyomja az üzemmód gombot, amíg a Nyaralás üzemmód jelzőfény ki nem gyullad a kijelzőn.

- A Nyaralás üzemmódból kilépéshez nyomja addig az üzemmód gombot, amíg semmilyen üzemmód ikon nem látható már a kijelzőn.

- A hűtőszekrény hőmérsékletének módosítása automatikusan kikapcsolja a Nyaralás üzemmódot.

**FONTOS: Ennek az üzemmódnak a kiválasztása esetén az összes ételt és italt ki kell venni a hűtőszekrény rekeszből.**

## Hang ki/bekapcsolása

Ennek a gombnak a lenyomásával tudja aktiválni/leállítani a hanggal való visszajelzést.

## Gombzár

- A Zárolás záró funkció aktiválásához nyomja le és 3 másodpercig tartsa lenyomva a Zárolás gombot.
- A zárolás feloldásához nyomja le és 3 másodpercig tartsa lenyomva a Zárolás gombot.

A záró funkció a kezelőlapba bevitt minden utasítást figyelmen kívül hagy mindaddig, amíg a felhasználó fel nem oldja a kezelőlap záró funkcióját. Ennek a funkciónak az a célja, hogy a beállításokat ne lehessen véletlenül módosítani.

## Demo üzemmód (csak WQ9 B1L, 6WM591NIHAS és WQ70900SXX esetén)


Ez az üzemmód akkor használatos, amikor a hűtőszekrényt kiállítják egy boltban, vagy ha le szeretné állítani a hűtést és az összes többi funkciót (a belső világítás kivételével).

A Demo üzemmód akkor lehet hasznos, amikor a tulajdonos hosszabb szabadságra megy. Az „Ápolás nyaralások és költözködések idején” című fejezetben olvashatja el azokat a megfelelő lépéseket, amelyekkel a hűtőszekrényt hosszabb időn keresztül ebben az üzemmódban lehet hagyni.

- A Demo üzemmód bekapcsolása esetén a kijelzőn kigyullad a „Demo” ikon.
- A Demo üzemmódba úgy tud belépni és onnan kilépni, hogy egyszerre lenyomja és 3 másodpercig lenyomva tartja a Hang be vagy ki, valamint a Zárolás gombot.

## Kiegészítő jellemzők

### Ajtó nyitva riasztás

- Az Ajtó nyitva riasztási funkció megszólaltat egy hangjelzést és villogni kezd az „Ajtó nyitva” ikon , amikor a négy ajtó közül bármelyik legalább 2 percre nyitva marad.
- A riasztás 5 percenként megismétlődik. Kikapcsolásához csukja be az összes ajtót.

**MEGJEGYZÉS:** A hangos vészjelzés elnémitásához, miközben az ajtókat nyitva tartja, mint például a hűtőszekrény belsejének tisztítása közben, érintse meg bármelyik gombot a kezelőlapon. A riasztás hangja ideiglenesen elhallgat, de a Ajtó nyitva nyitott ajtó ikon továbbra is látható marad a kezelőpulton.

## A hűtőszekrény világítása

A hűtőszekrényben van egy belső világítás, amely ajtónyitáskor mindig bekapcsol.

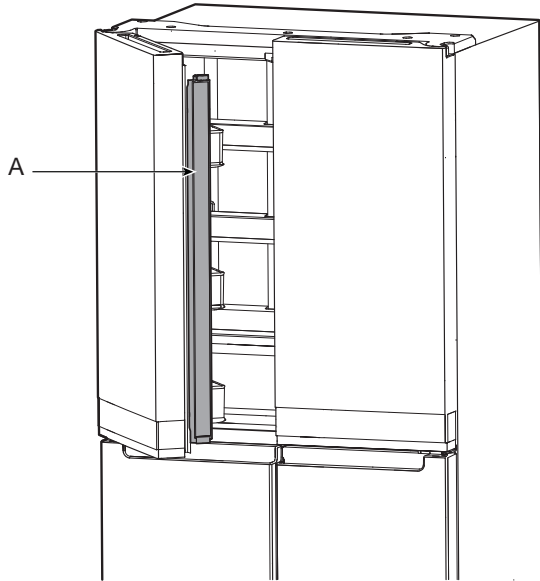
**MEGJEGYZÉS:** LED égő van benne, amit nem kell kicserélni. Ha a LED lámpa nem világít az ajtó kinyitásakor, ki kell hívni a szervizt, hogy cserélje ki.

# A HŰTŐSZEKRÉNY HASZNÁLATA

## Ajtónyitás és ajtócsukás

A hűtőszekrény-rekesznek két ajtaja van. Az ajtók együtt vagy külön-külön is kinyithatók és becsukhatók. A hűtőszekrény bal oldali ajtaján függőleges zsanérozott tömítés található.

- A bal oldali ajtó kinyitásakor a zsanérozott tömítés automatikusan előre hajlik, hogy ne legyen útban.
- A két ajtó becsukásakor a csuklós tömítés automatikusan tömítést képez a két ajtó között.

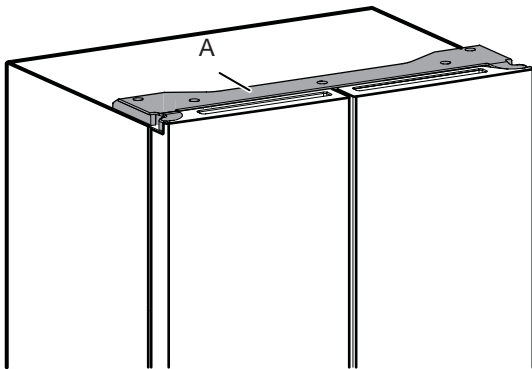


A. Csuklós tömítés

A hűtőszekrény rekesz ajtókapcsolója a bal oldali és jobb oldali felső zsanér fedelén található.

- A fagyasztó és a változó hőmérsékletű zóna ajtókapcsolója az alsó ajtóosztáson található.
- Az ajtókapcsoló mágnes segítségével érzékeli az ajtónyitást/ajtócsukást.
- Ügyeljen rá, hogy ne legyen mágnes vagy valamilyen elektronikus készülék (hangfal, Coolvox<sup>®</sup> stb.) a zsanérsapkától 7,62 cm-es távolságban.

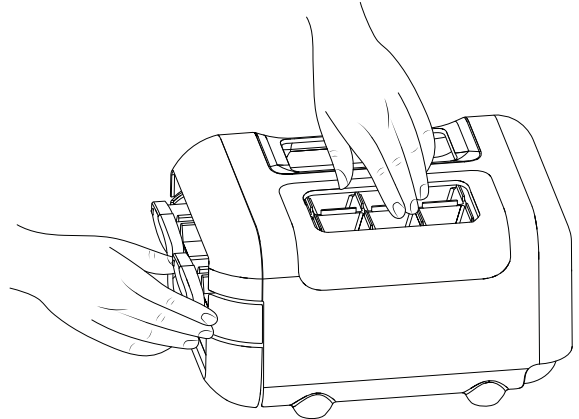
**MEGJEGYZÉS:** A világítás nem kapcsol be, ha a készülék nem érzékel ajtónyitást.



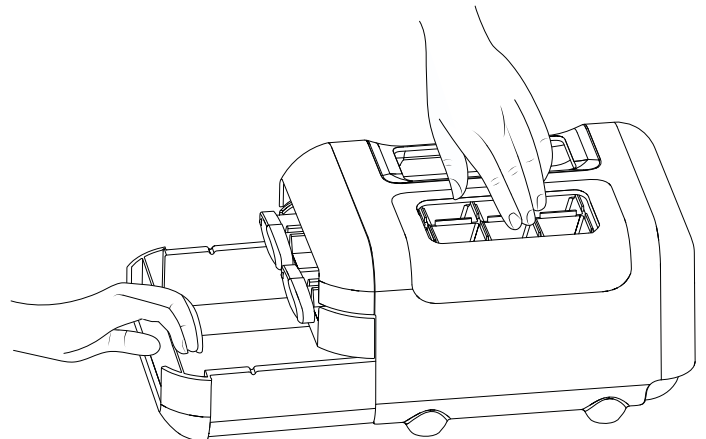
A. Zsanérfedél

## Jégkocka-készítő

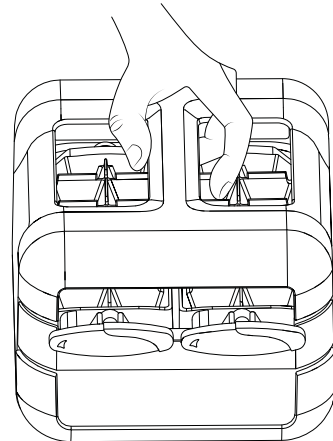
- Jégkocka készítéséhez töltsse fel tisztított vízzel a jégkockatálcát, majd helyezze a manuális jégkocka-készítőt a fagyasztó legfelső polcára. Engedjen időt a jégkockák elkészülésének, és amint ezt megtörténik, forgassa el a gombokat az óramutató járásával megegyező irányban, hogy a jégkockák kiessenek a jégkockatartóba.



- Emelje meg kissé a jégkockatartót, és a jégkockatartó kihúzásával férjen hozzá a jégkockákhoz.



A kézi jégkocka-készítő szerelvény kivehető a fagyasztóból, amikor nincs szükség jégre, hogy több hely maradjon a fagyasztóban.



## Élelmiszerek tárolása

### Tojástárolás

Ahhoz, hogy a tojások frissek maradjanak, ajánlatos állandó hőmérséklet tárolni őket, legjobb tehát a hűtőszekrény középső polcára helyezni őket.



# POLCOK, TARTÓK ÉS FIÓKOK

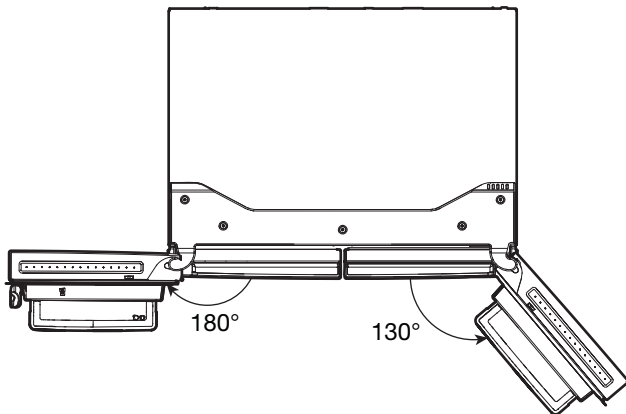
## Fontos információ, amit tudni kell az üvegpolcokról és -fedelekről:

Ne tisztítsa az üvegpolcokat vagy fedeleket meleg vízzel, amikor azok hidegek. A polcok és fedelek eltörhetnek, ha hirtelen hőmérséklet-változásnak vagy behatásnak (pl. ütődés) vannak kitéve. A hőkezelt üveg úgy van kifejlesztve, hogy sok kicsi, kavics méretű darabra törjön. Ez normális jelenség. Az üvegpolcok és -fedelek nehezek. Mindkét kezét használja a kivételükkor, hogy elkerülje a leesést.

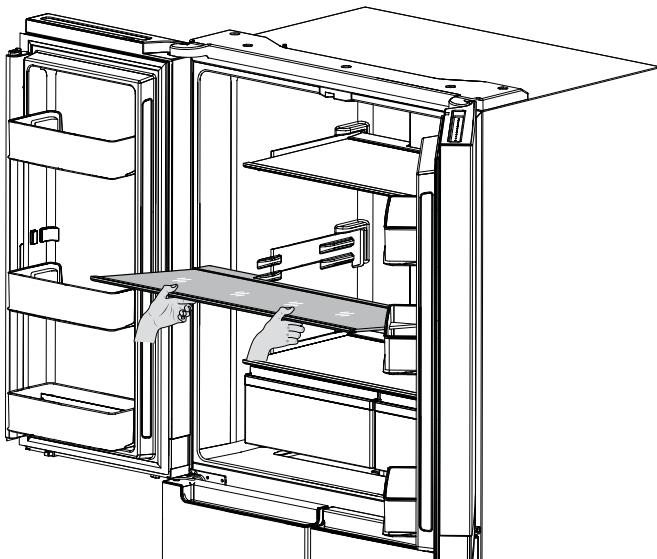
## Polcmagasság állítás

A polcmagasságot úgy lehet állítani, hogy a polcot az alsó tartósínból a felső tartósímba teszik vagy fordítva.

- Tárja ki teljesen a jobb oldali ajtót.
- Tárja ki teljesen a bal oldali ajtót, majd emelje meg az ajtót 180°-os nyíláshelyzetig.



- Vegye ki a polcot a hűtőszekrényből, majd tegye be a kívánt szerelési pozícióba.



- Ügyeljen rá, hogy a polc megfelelően felüljön a polctartó sínekre.

## Polcok és polckeretek

A hűtőszekrényben lévő polcok az egyéni tárolási igényeknek megfelelően módosíthatók.

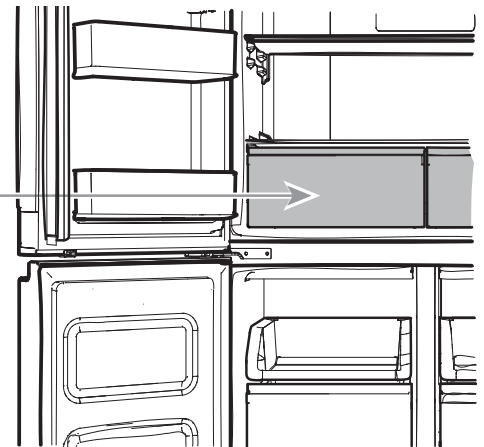
Könnyebben megtalálja a kívánt dolgot, ha a hasonló tételeket együtt tárolja a hűtőszekrényben és a különböző dolgok magasságához igazítja a polcokat. Ezzel együtt a hűtőszekrény ajtaja kevesebb ideig lesz nyitva, amivel energiát lehet spórolni.

### A polcok kivétele és cseréje:

1. Tárja ki teljesen mind a jobb-, mind a bal oldali ajtót, a bal oldali ajtót pedig emelje meg annyira, hogy 180o-ban kinyíljon.
2. A középső polcot vagy a legfelső polcot emelje fel és ki a polctartó sínekből, majd vegye ki. Majd húzza saját maga felé a polcot és döntse függőleges pozícióba. Fordítsa el szögben a polcot és húzza ki a hűtőszekrényből.
3. Az alsó polcot emelje fel és ki a polctartó sínekből, majd vegye ki. Majd húzza saját maga felé a polcot és megdöntve állítsa függőleges pozícióba. Fordítsa el szögben a polcot és húzza ki a hűtőszekrényből.
4. A középső és a felső polc visszahelyezésekor szögben döntve tegye vissza a polcot a hűtőszekrénybe úgy, hogy a polc eleje lefelé nézzen. Emelje meg a polc elejét, majd csúsztassa be addig, amíg a polc hátulja fel nem ül a polctartó sínekre. Engedje le a polc elejét és ügyeljen rá, hogy a polc a helyére kerüljön.
5. Az alsó polcot úgy tegye vissza a helyére, hogy szögben döntse meg felfelé. Emelje le a polc elejét, majd csúsztassa be addig, amíg a polc hátulja fel nem ül a polctartó sínekre. Engedje le a polc elejét és ügyeljen rá, hogy a polc a helyére kerüljön.

## Frissen tartó dobozok

Frissen tartó doboz

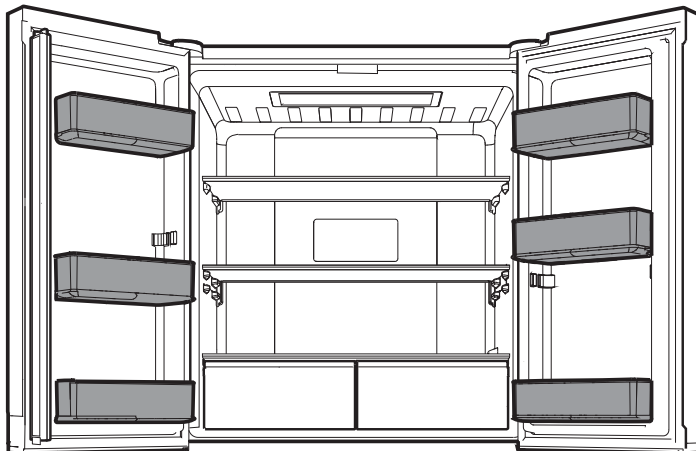


### A frissen tartó dobozok eltávolítása és visszahelyezése:

1. Fogja meg a Frissen tartó doboz fogantyúját és egyenesen csúsztassa ki ütközésig a dobozt. Emelje ki a Frissen tartó dobozt az alsó vezető sínből.
2. A Frissen tartó dobozt úgy tegye vissza, hogy ráhelyezi a vezetősínre, majd a doboz ütközőjén túltolva a helyére nyomja.

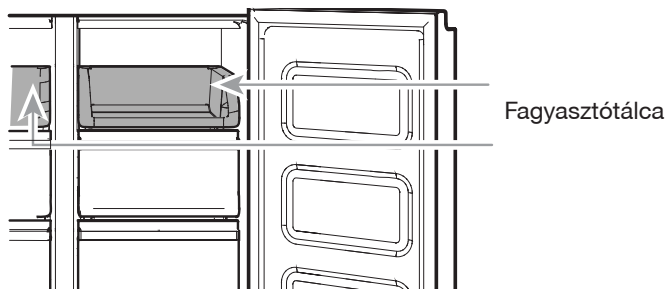
## Hűtőszekrény balkonok

A hűtőszekrényajtón lévő balkon az egyéni tárolási igényeknek megfelelően módosítható.



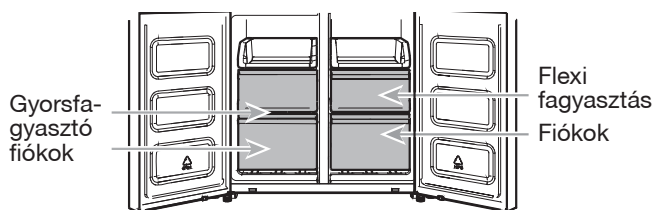
## Fagyasztó tárolórekeszei

### Fagyasztótálca



A fagyasztó tálca jól használható, ha könnyen el akarja érni a gyakran használt termékeket, illetve maradékokat vagy kisebb tételeket kíván lefagyasztani vagy egyszerűen csak tárolni.

### Fagyasztó fiókok



### Gyorsfagyasztó rekesz

- A Gyorsfagyasztó fiókok nagyobb ételmennyiségek kényelmes tárolását teszik lehetővé.
- A Gyorsfagyasztó opció segítségével minden fagyasztott ételt biztonságosan és átláthatóan lehet tárolni.

### Flexi fagyasztó rekesz (csak WQ9 B1L, 6WM591NIHAS és WQ70900SXX esetén)

A Flexi fagyasztó rekeszben három fagyasztási hőmérsékleti szintet lehet kiválasztani: -7 °C, -12 °C és -18 °C-ot, hogy a legjobb tárolási feltételeket lehessen biztosítani a különböző fajta ételekhez.

A fagyasztó maximális kapacitásának kihasználása érdekében ki lehet venni a fagyasztóládát, hogy a fagyasztópolc szabadabbá váljon.

### A felső fiók kivétele:

1. Fogja meg a fiók fogantyúját és egyenesen csúsztassa ki ütközésig a fiókot. Emelje ki a fiókot az alsó vezető sínből.
2. A fiókot visszahelyezéskor tegye rá a vezetősínre, majd a fiók ütközőjén túltolva nyomja a helyére.

### Fagyasztó polc (csak a WQ9 E1L és a WQ9 B1L modelleken)

A fagyasztási kapacitás maximálisra növeléséhez a középső fiók eltávolításával szabadabbá lehet tenni az alatta lévő fagyasztópolcot. Ekkor a felső fiókot el lehet tenni, az ételt pedig közvetlenül a polc tetejére lehet pakolni.

## Hangok áttekintése

### Hangjelzés kiosztás

Hangjelzés neve	Példák a használatra
Áram alatt	A hűtőrendszer minden alkalommal bekapcsol, amikor a termék áram alá kerül.
Billentyűlenyomás	A felhasználó érvényes gombot nyom le.
Érvénytelen (Hiba)	A felhasználó egyszerre egy vagy két érvényes gombot nyom le. Visszaszámolás megszakítása olyan gomboknál, amelyeket le kell nyomni és lenyomva kell tartani.
Bekapcsolás	Bármelyik üzemmódba lépés nyugtázása.
Kikapcsolás	Bármelyik üzemmódból történő kilépés nyugtázása.
Riasztás	Ajtó nyitva riasztás.

Ez a táblázat csupán a gyors eligazodást szolgálja. A részleteket lásd a megfelelő fejezetekben. Eltérések esetén a fejezetekben szereplő részletek az érvényesek.

## Tartozékok

A tartozékok megrendelése érdekében forduljon ahhoz a kereskedőhöz, akinél a hűtőszekrényt vásárolta.

## Segélyszolgálat vagy szerviz

Mielőtt a segélyszolgálatot vagy a szervizt hívná, kérjük, ellenőrizze a „Hibakeresés” című szakaszt. Lehetséges, hogy ezzel megtakarítja a szerviz hívásának költségét. Ha még ezek után is segítségre van szüksége, kövesse az alábbi utasításokat.

### Ha csere alkatrésze van szüksége

A gyár által meghatározott csere alkatrészek megkeresése érdekében forduljon ahhoz a kereskedőhöz, akinél a hűtőszekrényt vásárolta.

### Garancia

A garanciális információk tekintetében forduljon ahhoz a kereskedőhöz, akinél a hűtőszekrényt vásárolta.

**Őrizze meg ezt a kézikönyvet és az értékesítési számlát, mert később még szükség lehet rá. Bizonyítékot kell bemutatnia a vásárlás vagy az üzembe helyezés dátumáról garanciális szerviz esetén.**

Írja le a következő információkat a készülékre vonatkozóan, hogy segítségére legyen a segítség vagy a szerviz megszerzésében, ha valaha szüksége lesz rá. Tudnia kell a teljes modellszámot és a sorozatszámot. Ez az információ fel van tüntetve a modell- és sorozatszám címkéjén, amely a hűtőtér belső falán van elhelyezve.

Eladó neve \_\_\_\_\_

Sorozatszám \_\_\_\_\_

Cím \_\_\_\_\_

Telefonszám \_\_\_\_\_

Típuszám \_\_\_\_\_

Vásárlás dátuma \_\_\_\_\_

# A HŰTŐSZEKRÉNY ÁPOLÁSA

## Tisztítás

### ⚠ VIGYÁZAT



#### Robbanásveszély

Nem gyúlékony tisztítószer használjon.

Ennek elmulasztása halálos sérülést, robbanást vagy tüzet okozhat.

A hűtőszekrény, a fagyasztó és a Flexi fagyasztó egységek (csak a WQ9 B1L, a 6WM591NIHAS és a WQ70900SXX típusoknál) mind automatikusan végzik a jégmentesítést. Ahhoz azonban, hogy ne alakuljanak ki szagok, havonta egyszer mindegyik egységet ki kell takarítani. Azonnal törölje fel a kicsöpögött foltokat.

### Külső tisztítás

Tekintse meg a saját típusra vonatkozó egyedi külső takarítási tájékoztatót.

#### 1. stílus – Sima ajtó

**FONTOS:** A garancia nem terjed ki az olyan károkra, amelyeket a tisztítószer nem megfelelő használata vagy a nem ajánlott tisztítószer használata okoz a sima felületben. Az éles vagy érdes szerszámok tönkreteszik a felületet.

HASZNÁLJON	NE HASZNÁLJON
✓ Tiszta puha anyagot	✗ Érdes rongyokat ✗ Papírtörülközőt vagy újságpapírt ✗ Acélgyapjú pamacsokat
✓ Enyhén mosószeres meleg vizet	✗ Súrolóporokat vagy -folyadékokat ✗ Ablaktisztító sprayket ✗ Ammóniát ✗ Savas vagy ecetalapú tisztítószereket ✗ Sütőtisztítókat ✗ Gyúlékony folyadékokat

**MEGJEGYZÉS:** A papírtörülköző megkarcolja és tönkre is teheti a festett ajtó tiszta matt bevonatát. Az esetleges károk elkerülés érdekében csak tiszta puha rongyokkal fényesítse és törölje le az ajtókat.

#### 2. stílus – Rozsdamentes acél

##### FONTOS:

- Csak az ajánlott, rozsdamentes acélra való tisztítószeret és rongyokat használja. A garancia nem terjed ki az olyan károkra, amelyeket a tisztítószer nem megfelelő használata vagy a nem ajánlott tisztítószer használata okoz a rozsdamentes acél felületben.
- A rozsdamentes acél készülékeket óvja a maróhatású vagy korrozív elemektől, például a nagy só-, nedvesség- vagy páratartalmú környezettől. A jótállás nem érvényes abban az esetben, ha a készülék ilyen körülményeknek van kitéve.

HASZNÁLJON	NE HASZNÁLJON
✓ Tiszta puha anyagot	✗ Érdes rongyokat ✗ Papírtörülközőt vagy újságpapírt ✗ Acélgyapjú pamacsokat
✓ Enyhén mosószeres meleg vizet	✗ Súrolóporokat vagy -folyadékokat ✗ Ammóniát ✗ Citromos tisztítószereket ✗ Savas vagy ecetalapú tisztítószereket ✗ Sütőtisztítókat
✓ Erős szennyezettség esetén kizárólag a készülékekhez készült rozsdamentes acél tisztítószer használja. A tisztítószer megrendelése érdekében forduljon ahhoz a kereskedőhöz, akinél a hűtőszekrényt vásárolta.	✗ A rozsdamentes acél tisztítószer csak a rozsdamentes acél elemekhez való. Ne hagyja, hogy a rozsdamentes acél tisztítószer vagy fényező hozzáérjen a műanyag elemekhez, például a szegélyelemekhez, az adagolófedelekhez vagy az ajtótomítésekhez.

#### 3. stílus – Ujjlenyomattűrő rozsdamentes felület

##### FONTOS:

- A rozsdamentes acél készülékeket óvja a maróhatású vagy korrozív elemektől, például a nagy só-, nedvesség- vagy páratartalmú környezettől. A jótállás nem érvényes abban az esetben, ha a készülék ilyen körülményeknek van kitéve.

HASZNÁLJON	NE HASZNÁLJON
✓ Tiszta puha anyagot	✗ Érdes rongyokat ✗ Papírtörülközőt vagy újságpapírt ✗ Acélgyapjú pamacsokat
✓ Enyhén mosószeres meleg vizet	✗ Súrolóporokat vagy -folyadékokat ✗ Ablaktisztító sprayket ✗ Ammóniát ✗ Savas vagy ecetalapú tisztítószereket ✗ Sütőtisztítókat ✗ Gyúlékony folyadékokat

##### MEGJEGYZÉSEK:

- Ha véletlenül hozzáér valami a felülethez, a műanyag elemet szivaccsal és enyhén mosószeres meleg vízzel tisztítsa meg. Puha ruhával törölje alaposan szárazra.
- Csak azért, mert egy tisztítószer folyadék, még lehet súrolószer. Sok folyékony tisztítószer arra tervezték, hogy kíméletes legyen a csempével és a sima felületekkel, a rozsdamentes acélt mégis megsértheti.
- A citromsav véglegesen módosítja a rozsdamentes acél felületek színét.
- Ha nem akarja felsérteni a rozsdamentes acél hűtőszekrény felületét:

##### Ne hagyja az alábbi anyagokat a felületen:

- ✗ Mustár
- ✗ Citromos szószok
- ✗ Paradicsomlé
- ✗ Citromos termékek
- ✗ Marinara szósz

## Belső tisztítás

1. Húzza ki a hűtőszekrény tápkábelét, vagy válassza le a táplálást.
2. Kézzel mosogassa el, öblítse le és törölje szárazra alaposan a kivethető alkatrészeket és a belső felületeket. Tiszta szivacsot vagy puha törlőruhát és meleg vízben feloldott enyhe mosogatószerrel használjon.  
**MEGJEGYZÉS:** Ne használjon dörzshatású vagy súroló tisztítószeret, mint például ablaktisztító sprayk, súrolószer, tűzveszélyes folyadékok, tisztítóviások, mosószer-koncentrátumok, fehérítők vagy kőolajtermékeket tartalmazó tisztítószeret műanyag alkatrészekben, belső és ajtóbeléseken vagy tömitéseken.
3. Csatlakoztassa a hűtőszekrény tápkábelét, vagy csatlakoztassa a táplálást.

## A kondenzátor tisztítása

Ennek a hűtőszekrénynek mind a két oldalán hártakondenzátor működik. Normális jelenség az oldalakon áramló meleg.

## Világítás

Mind a hűtőszekrényekben, mind a fagyasztórékeszben LED égők vannak, amelyeket nem kell kicserélni. Ha az égők az ajtó kinyitásakor nem világítanak, keresse meg azt az eladót, akitől a hűtőszekrényt vásárolta.

## Ápolás nyaralások és költözködések idején

### Nyaralások

**Ha úgy dönt, hogy elutazáskor bekapcsolva hagyja a hűtőszekrényt:**

1. Használja fel összes romlandó ételt, a többit pedig fagyassza le.
2. Ha a hűtőszekrényben automata jégkocka készítő van és be van kötve a háztartási vízvezeték, kapcsolja ki a vízvezeték hűtőszekrényhez vezető ágát. Vagyoni kárt okozhat, ha nem kapcsolja le a vízvezetékét.
3. Ha van automata jégkocka-készítője, kapcsolja ki a jégkocka-készítőt.
  - Nyomja le kikapcsolt állapotig az ajtóban lévő jégkocka készítő gombját (O).
4. Ürítse ki a jégkocka-tartót.

**Ha úgy dönt, hogy indulás előtt kikapcsolja a hűtőszekrényt:**

**MEGJEGYZÉS:** Állítsa a hűtőszekrényt Demo üzemmódba a nyaralás idejére. Lásd „A kezelőszervek használata” című fejezetet.

1. Pakoljon ki minden élelmiszert a hűtőszekrényből.
2. Ha a hűtőszekrénynek van jégkocka-készítő automatája:
  - Legalább 1 nappal előre kapcsolja le a jégkocka készítőhöz menő vízvezetékét.
  - Amikor az utolsó adag jég is kiesik, nyomja le a kapcsolót a kikapcsolt állásig (O), hogy a hűtőszekrény belsejében felül lévő kijelző – a típustól függően – ne világítson.
3. Ürítse ki a jégkocka-tartót.
4. Kapcsolja ki a hőmérséklet-szabályozó gombot. Lásd „A kezelőszervek használata” című fejezetet.
5. Takarítsa ki a hűtőszekrényt, törölje ki és jól szárítsa ki.
6. Ragasszon fel gumi- vagy fakockákat mindkét ajtó tetejére, hogy kellőképpen nyitva maradjanak a levegő beengedéséhez. Ez megakadályozza, hogy a hűtőszekrény bebűdösödjön vagy bepenészesedjen.

## Költözés

Amikor új otthonba költözteti a hűtőszekrényt, az alábbi lépések segítségével készítse elő a költözésre.

1. Ha a hűtőszekrénynek van jégkocka-készítő automatája:
  - Legalább 1 nappal előre kapcsolja le a jégkocka készítőhöz menő vízvezetékét.
  - Kösse le a vízvezeték a hűtőszekrény hátuljáról.
  - Amikor az utolsó adag jég is kiesik, nyomja le a kapcsolót – az adott típustól függően – vagy a jégkocka készítőn, vagy a kezelőlapon kikapcsolt állásig (O).
2. Mindent ételt vegyen ki a hűtőszekrényből, majd a fagyasztott tételeket tegye szárazjégbe.
3. Ürítse ki a jégkocka-tartót.
4. Húzza ki a hűtőszekrény dugóját.
5. Takarítsa ki, törölje le és szárítsa meg teljesen.
6. Vegyen ki minden mozdítható elemet, csomagolja össze és ragasztószalaggal rögzítse őket egymáshoz, hogy költözés közben ne csúszhassanak el és ne zörögjenek.
7. Az adott típustól függően emelje meg a hűtőszekrény elejét, hogy könnyebben guruljon, vagy emelje fel a szintezőcsavarokat, nehogy megkarcolják a padlót. Lásd az „Ajtó beállítása” vagy „A hűtőszekrény színtezése és az ajtó csukása” című fejezetet.
8. Az ajtókat rögzítse szalaggal csukott állapotban, majd az elektromos kábelt rögzítse szalaggal a hűtőszekrény hátuljához.

Az új otthonba érve mindent tegyen vissza, majd az „Összeszerelési utasítások” fejezetben keresse meg az előkészítésre vonatkozó utasításokat. Ha a hűtőszekrényben automata jégkocka készítő is van, ne felejtse el újra rákötni a vízvezeték a hűtőszekrényre.

# HIBAKERESÉS

Ako je moguće, prvo pokušajte primijeniti ovdje predložena rješenja kako biste izbjegli pozivanje servisa.

## ⚠ UPOZORENJE



### Opasnost od strujnog udara

Utaknuti u uzemljenu utičnicu.

Ne uklanjajte kontakt za uzemljenje.

Ne koristite adapter.

Ne koristite produžni kabel.

U slučaju nepridržavanja ovih uputa može doći do smrti, požara ili strujnog udara.

Ha a következőket tapasztalja	Lehetséges okok	Megoldás
<b>A hűtőszekrény működése</b>		
A hűtőszekrény nem működik.	Ellenőrizze az áramellátást.	Dugja az elektromos kábelt földelt konnektorba. Ne használjon hosszabbítót. Ellenőrizze, van-e áram a konnektorban. Csatlakoztasson hozzá egy lámpát, hogy lássa, működik-e az aljzat. Nullázzon le egy kioldott áramköri megszakítót. Cserélje ki az esetleg kiégett biztosítékokat. <b>MEGJEGYZÉS:</b> Ha a problémák továbbra is fennállnak, hívjon villanyszerelőt.
	Ellenőrizze a kezelőszerveket.	Ügyeljen rá, hogy a kezelőszervek be legyenek kapcsolva. Lásd „A kezelőszervek használata” című fejezetet.
	Új üzembe helyezés.	Hagyjon 24 órát az üzembe helyezés után a hűtőszekrény számára, hogy teljesen lehűljön. <b>MEGJEGYZÉS:</b> A hőmérséklet-szabályozók leghidegebb beállításra történő állítása nem végzi el a rekeszek hűtését gyorsabban.
	A hűtőszekrény vezérlése Demo üzemmódban van (bizonyos típusoknál).	Ha a hűtőszekrény Demo üzemmódban van, a készülék nem hűt, a kezelőlapon pedig kigyullad a „Demo” szó. További információkat lásd „A kezelőszervek használata” című fejezetben.
	Úgy tűnik, hogy a motor túl sokat működik.	Nagy hatékonyságú kompresszor és ventilátorok.
	Forró a szoba- vagy a kültéri hőmérséklet.	A hűtőszekrény számára normális, hogy hosszabb ideig működjön ilyen körülmények között. Az optimális teljesítmény érdekében helyezze a hűtőszekrényt beltéri, szabályozott hőmérsékletű viszonyok közé. (Lásd az „Elhelyezési követelmények” című részt.)
	Az utóbbi időben nagy mennyiségben tettek be meleg ételt.	A meleg étel miatt a hűtőszekrénynek hosszabb ideig dolgoznia, hogy a levegő lehűljön a kívánt hőmérsékletre.
	Az ajtó(ka)t túl gyakran nyitják ki vagy túl hosszú ideig tartják nyitva.	A hűtőszekrénynek a bekerülő meleg levegő miatt tovább kell dolgoznia. Kevesebbet nyitogassa az ajtót.
	Nyitva van a hűtőszekrény vagy a fagyasztó ajtaja.	Ellenőrizze, hogy vízszintben van-e a hűtőszekrény. Lásd „A hűtőszekrény szintezése és az ajtók csukása” című fejezetet. Ne hagyja, hogy ételek vagy tartóedények akadályozzák az ajtó csukódását.
	A hűtőszekrény túlságosan hideg értékre lett beállítva.	Állítson be a hűtőszekrény hőmérséklet-szabályozójával egy kevésbé hideg értéket, míg el nem éri a kívánt hőmérsékletet.
	Az ajtó vagy a fiók tömítése koszos, kopott vagy repedt.	Tisztítsa meg vagy cserélje ki a tömítést. Az ajtótömítésen keresztüli szivárgások miatt a hűtőszekrénynek hosszabb ideig kell dolgoznia a kívánt hőmérsékletek fenntartásán.

# HIBAKERESÉS

Ako je moguće, prvo pokušajte primijeniti ovdje predložena rješenja kako biste izbjegli pozivanje servisa.

Ha a következőket tapasztalja	Lehetséges okok	Megoldás
Nem működik a világítás.	A hűtőszekrény LED égőkkel van felszerelve, amelyeket nem kell kicserélni.	Ha kap áramot a hűtőszekrény, de az égők nem világítanak valamelyik ajtó vagy fiók kinyitásakor, hívja ki a szervizt vagy hívjon segítséget.
	Az ajtók 10 percnél hosszabb ideje nyitva vannak.	Csukja be az ajtókat és a fiókot a lenullázáshoz, majd nyissa ki újra a világítást igénylő feladat újrakezdéséhez.
	Az ajtókapcsoló nem érzékeli az ajtónyílást.	Ügyeljen rá, hogy ne legyen mágnes vagy valamilyen elektronikus készülék a zsanérfedéltől 7,62 cm-es távolságban.
Nem kapcsol be a hőmérséklet-szabályozó felhasználói felület.	Kialudt a hőmérséklet-szabályozó felhasználói felület.	A felhasználói felület bármelyik gombjának a lenyomásával ébressze fel a hőmérséklet-szabályozó felhasználói felületet.
	A hőmérséklet-szabályozó felhasználói felület gombjai nem megfelelően működnek.	Próbálja meg keringetni az áramot a hűtőszekrényben, hogy a gombok lenullázódjanak. Ha a probléma állandósul, hívja a szervizt vagy hívjon segítséget.
	A hőmérséklet-szabályozó felhasználói felület nem kap áramot.	Ellenőrizze az ajtózsanérnál lévő vezetékkezeletet.
Nem tudja módosítani a hőmérséklet-szabályozó felhasználói felületen a beállított értékeket.	Nyitva az ajtó és bekapcsolt a Nyitott ajtó riasztás.	Csukja be az ajtót.
<b>Szokatlan zaj</b>		
Ha tudni szeretné, milyenek a hűtőszekrényhez tartozó normális hangok, menjen fel a márka weboldalára a Terméktámogatás/GYIK fejezetbe, és keresse meg a „normál hangok” részt. Az alábbiakban fel van sorolva néhány normális hang azok magyarázatával.		
A hűtőszekrény zajosnak tűnik.	Az új hűtőszekrényben lévő kompresszor hatékonyabban szabályozza a hőmérséklet, miközben kevesebb energiát használ fel és csöndesebben üzemel.	Az üzemi zaj visszafogott voltának köszönhetően könnyen észre lehet venni a normálistól eltérő zajokat.
A kompresszor hangja a szokásosnál hosszabb ideig hallható.	Nagy hatékonyságú kompresszor és ventilátorok.	A nagyobb, hatékonyabb hűtőszekrények hosszabb ideig működnek az alacsonyabb, energiatakarékos fokozatokban.
Pulzálás/zúgás	A ventilátorok/a kompresszor úgy igazodik, hogy a kompresszor normál működése közben optimális legyen a teljesítmény.	Ez normális jelenség.
Pattogás	A belső falak zsugorodása/kiterjedése, különösen az első alkalommal történő lehűtés alatt.	Ez normális jelenség.
Sziszegés/Csepegés	Folyik a hűtőközeg vagy olajfolyás van a kompresszorban.	Ez normális jelenség.
Vibrálás	Lehet, hogy a hűtőszekrény nem áll stabilan	Állítson a szintező csavarokon és engedje le a szintezőlabát, hogy nekifeszüljön a padlónak. Lásd „A hűtőszekrény szintezése és az ajtók csukása” című fejezetet.
Csörgés/dörrenés	A vízvezetékek mozognak és hozzáérnek a hűtőszekrényházhoz, vagy rezegnek a hűtőszekrényház tetejére pakolt tárgyak.	A vízvezeték főleges részét mozdítsa el a hűtőszekrényháztól és az egész köteget rögzítse a szekrényhez. Lásd a „Vízvezeték bekötése” című fejezetet, vagy vegye le a tárgyakat a hűtőszekrény tetejéről.
Sisteregés	Víz csepeg a Jégmentesítő ciklus közben a fűtőegységre.	Ez normális jelenség.
Folyó víz hangja/Csobogás	Akkor hallható, amikor a jég megolvad a leolvasztási ciklus alatt, és a víz a vízgyűjtő edénybe folyik.	Ez normális jelenség.

# HIBAKERESÉS


Ako je moguće, prvo pokušajte primijeniti ovdje predložena rješenja kako biste izbjegli pozivanje servisa.

Ha a következőket tapasztalja	Lehetséges okok	Megoldás
<b>Hőmérséklet és nedvesség</b>		
A hőmérséklet túl magas.	A hűtőszekrény frissen lett telepítve.	Hagyjon 24 órát az üzembe helyezés után a hűtőszekrény számára, hogy teljesen lehűljön.
	A kezelőszervek nem a környezeti feltételeknek megfelelően lettek beállítva.	Állítson be alacsonyabb értékeket a kezelőszervekkel. 24 órán belül ellenőrizze a hőmérsékletet. Lásd „A kezelőszervek használata” című fejezetet.
	Az ajtó(ka)t gyakran kinyitják vagy nem csukják be teljesen. Lehetőséget ad arra, hogy meleg levegő kerüljön a hűtőszekrénybe.	Csökkentse minimálisra az ajtónyitások számát és tartsa teljesen becsukva az ajtókat.
	Az utóbbi időben nagy mennyiségű ételt került be egyszerre.	Hagyjon néhány órát, hogy a hűtőszekrényben a hőmérséklet visszatérjen a normál értékre.
	A Demo üzemmód van bekapcsolva.	Kapcsolja ki a Demo üzemmódot. Lásd „A kezelőszervek használata” című fejezetet.
	A Nyaralás üzemmód van bekapcsolva.	Kapcsolja ki a Nyaralás üzemmódot. Lásd „A kezelőszervek használata” című fejezetet.
A hőmérséklet túlságosan hideg a hűtőszekrényben/a frissen tartó rekeszben.	Eldugultak a hűtőszekrény levegőztető ventilátora(i).	Ha a hűtőszekrény rekesz középső hátsó részén elhelyezkedő ventilátort blokkolják a közvetlenül eléje rakott ételek, a hűtőszekrény túlságosan lehül. Tegye arrébb a ventilátor útjában álló ételeket.
	A kezelőszervek nem a környezeti feltételeknek megfelelően lettek beállítva.	Állítson be magasabb értékeket a kezelőszervekkel. 24 órán belül ellenőrizze a hőmérsékletet. Lásd „A kezelőszervek használata” című fejezetet.
	A jégkocka tároló tartály nincs a megfelelő pozícióban.	Lásd a „Jégkocka-készítő és jégkocka tároló tartály” című fejezetet.
A hőmérséklet túlságosan hideg a szabályozott hőmérsékletű fiókban.	A hőmérséklet-szabályozó nem a környezeti feltételekhez megfelelően lett beállítva.	Módosítsa a hőmérséklet beállítást. Lásd „A kezelőszervek használata” részt a „Hűtőszekrény használata” című fejezetben.
Belső nedvesség képződik. <b>MEGJEGYZÉS:</b> Normális jelenség, hogy valamennyi nedvesség képződjön.	Párás a szoba.	A párás környezet hozzájárul a nedvesség képződéséhez.
	Az ajtó(ka)t gyakran kinyitják vagy nem csukják be teljesen. Lehetőséget ad arra, hogy párás levegő kerüljön a hűtőszekrénybe.	Csökkentse minimálisra az ajtónyitások számát és teljesen csukja be az ajtókat.
	Az ajtó(k)at valami akadályozza a becsukódásban.	Tolja arrébb az ételcsomagokat az ajtó útjából.
	Útban van egy tartóedény vagy polc.	Tolja hátra a tartóedényt vagy a polcot a saját helyére.
	A folyadékok tárolása nyitott tárolóedényekben.	Emiatt pára került a hűtőszekrény belsejébe. Minden tartály legyen gondosan lezárva.
A fagyasztó rekeszben túl sok dér/jég rakódott le.	Az ajtót gyakran kinyitják vagy nyitva hagyják.	Csökkentse minimálisra az ajtónyitások számát és használat után teljesen csukja be az fiókokat.
	Az ajtón gyenge a tömítés.	Ügyeljen rá, hogy az ajtók tömítése maximálisan érintkezzen a hűtőszekrényházzal, és ezzel megfelelő legyen a szigetelés.
	A hőmérséklet-szabályozó gombokat nem helyesen állították be.	Lásd „A kezelőszervek használata” című fejezetben az ajánlott hőmérsékleti beállításokat.

# HIBAKERESÉS

Ako je moguće, prvo pokušajte primijeniti ovdje predložena rješenja kako biste izbjegli pozivanje servisa.

**⚠ UPOZORENJE**



**Opasnost od eksplozije**

**Koristite nezapaljivo sredstvo za čišćenje.**

**U slučaju da se to ne učini, može doći do smrti, eksplozije ili požara.**

Ha meg kívánja nézni az ajtók beállításáról szóló animációs filmet, keresse meg a márka weboldalán a Terméktámogatás/GYIK fejezetet, és keresse ki az „Ajtócsukás és ajtó beállítás” című részt.

Ha a következőket tapasztalja	Lehetséges okok	Megoldás
<b>Ajtók</b>		
Az ajtók nem záródnak teljesen.	Az ajtót valami akadályozza a becsukódásban.	Tolja arrébb az ételcsomagokat az ajtó útjából.
	Útban van egy tartóedény vagy polc.	Tolja hátra a tartóedényt vagy a polcot a saját helyére.
	Frissen telepítve	A csomagoláshoz használt összes anyagot szedje le.
Nehéz az ajtókat kinyitni.	Az ajtó tömítések ragadnak vagy elszennyeződtek.	Tisztítsa meg a tömítéseket és az érintkező felületeket enyhe szappannal és meleg vízzel. A készülék belsejét öblítse ki, és puha ronggyal törölje szárazra.
Úgy tűnik, az ajtók nincsenek egy szintben.	Az ajtókat be kell igazítani vagy a hűtőszekrény ki kell szintezni.	Az ajtók beállításához hívja ki a szervizt.
A hűtőszekrény nem áll stabilan, illetve ajtónyitáskor vagy csukáskor előre gurul.	A hűtőszekrény fékezőlábai nem feszülnek neki a padlónak.	Forgassa el mindkét fékezőlábat (egy-egy oldalon) az óramutató járásával ellentétes irányban, ugyanolyan mértékben, amíg neki nem feszülnek a padlónak. Lásd „A hűtőszekrény szintezése és az ajtók csukása” című fejezetet.



# Saturs

<b>LEDUSSKAPJA DROŠĪBA .....</b>	<b>442</b>
Vecā ledusskapja pareiza likvidēšana .....	445
<b>DETAĻAS UN FUNKCIJAS .....</b>	<b>446</b>
<b>UZSTĀDĪŠANAS NORĀDĪJUMI.....</b>	<b>447</b>
Darba sākšana .....	447
Ledusskapja izsaiņošana.....	447
Prasības attiecībā uz atrašanās vietu.....	448
Elektriskās prasības.....	448
Ledusskapja durvju noņemšana un atkārtota uzlikšana .....	450
Saldētavas/Flexi Freeze durvju noņemšana un atkārtota uzlikšana .....	452
Ledusskapja līmeņošana .....	453
Vadības elementu izmantošana.....	454
Ledusskapja apgaismojums .....	455
<b>LEDUSSKAPJA LIETOŠANA .....</b>	<b>456</b>
Durvju atvēršana un aizvēršana .....	456
Pārtikas produktu glabāšana .....	456
<b>PLAUKTI, TVERTNES UN ATVILKTNES .....</b>	<b>457</b>
Saldētavas nodalījumi .....	458
Skaņas signāli .....	458
Piederumi .....	458
Palīdzība vai apkalpošana .....	458
<b>LEDUSSKAPJA APKOPE.....</b>	<b>459</b>
Tīrīšana .....	459
Apgaismojums.....	460
Apkope atvaļinājuma un pārvākšanās laikā .....	460
<b>PROBLĒMU NOVĒRŠANA .....</b>	<b>461</b>

# LEDUSSKAPJA DROŠĪBA

## Jūsu un citu personu drošība ir ļoti svarīga.

Šajā jūsu ierīces rokasgrāmatā esam snieguši daudz svarīgu drošības ziņojumu. Vienmēr izlasiet un ievērojiet visus drošības ziņojumus.



Šis ir drošības brīdinājuma simbols.

Šis simbols brīdina par iespējamu bīstamību, kas var izraisīt jūsu un citu personu traumas vai nāvi.

Visiem drošības ziņojumiem būs drošības brīdinājuma simbols un vārds "BĪSTAMI" vai "BRĪDINĀJUMS".

Tālāk ir paskaidrota šo vārdu nozīme.

 **BĪSTAMI**

**Ja nekavējoties neizpildīsiet norādījumus, var tikt izraisīta jūsu nāve vai nopietnas traumas.**

 **BRĪDINĀJUMS**

**Ja neizpildīsiet norādījumus, var tikt izraisīta jūsu nāve vai nopietnas traumas.**

Visos drošības ziņojumos būs ietverta informācija par iespējamo bīstamību, par traumu iespējamības samazināšanu, kā arī informācija par to, kas var notikt norādījumu neievērošanas gadījumā.

## DROŠĪBAS NORĀDĪJUMI

Pirms ierīces lietošanas izlasiet šos drošības norādījumus. Glabājiet tos tuvumā turpmākai uzziņai. Šie norādījumi un pati ierīce sniedz svarīgus drošības brīdinājumus, kuri vienmēr ir jāievēro. Ražotājs neuzņemas nekādu atbildību par šo drošības norādījumu neievērošanu, nepareizu ierīces lietošanu vai vadības elementu nepareizu iestatīšanu.

△ Mazuļi (0–3 gadi) nedrīkst atrasties ierīces tuvumā. Mazi bērni (3–8 gadi) nedrīkst atrasties ierīces tuvumā, ja vien tas nenotiek pieaugušo uzraudzībā. Bērni vecumā no 8 gadiem un personas ar fiziskiem, sensoriem vai garīgiem traucējumiem vai pieredzes/zināšanu trūkumu drīkst izmantot šo ierīci tikai citu uzraudzībā vai ja tiem ir sniegti norādījumi par drošu lietošanu un personas izprot iespējamo bīstamību. Bērni nedrīkst rotaļāties ar ierīci. Bērni bez uzraudzības nedrīkst veikt tīrīšanu un apkopi.

### ATLAUTĀ LIETOŠANA

△ ŪZMANĪBU! Ierīce nav paredzēta lietošanai ar ārēju komutatoru, piemēram, taimerī, vai atsevišķu tālvadības sistēmu.

△ Šo ierīci ir paredzēts lietot mājās un līdzīgās vietās, piemēram, darbinieku virtuvē, veikalos, birojos un citā darba vidē, zemnieku saimniecībās; klientu vajadzībām viesnīcās, moteļos, naktsmītnēs, kur tiek piedāvātas brokastis, un cita veida dzīvojamā vidē.

△ Šī ierīce nav paredzēta profesionālai lietošanai. Neizmantojiet ierīci ārpus telpām.

△ Ierīce ir paredzēta lietošanai vietās, kur apkārtējās vides temperatūra atbilst tālāk norādītajiem diapazoniem atbilstoši klimata klasei, kas norādīta uz datu plāksnes. Ierīce var nedarboties pareizi, ja tā ilgstoši atrodas temperatūrā, kas neatbilst norādītajam diapazonam.

Klimata klase, apk. t. (°C)

SN: 10–32 °C;

N: 16–32 °C

ST: 16–38 °C;

T: 16–43 °C

△ Šī ierīce nesatur hlorfluorogļūdeņradi. Dzesēšanas sistēma satur R600a (HC). Ierīces ar izobutānu (R600a): izobutāns ir dabasgāze, kas neietekmē apkārtējo vidi, tomēr tā ir uzliesmojoša. Šī iemesla dēļ pārlicinieties, vai dzesēšanas sistēmas caurules nav bojātas, īpaši, kad dzesēšanas sistēma tiek iztukšota.

△ BRĪDINĀJUMS. Nebojājiet ierīces dzesēšanas sistēmas caurules.

△ BRĪDINĀJUMS. Ventilācijas atveres, kas atrodas ierīces korpusā vai iebūvētajā struktūrā, nedrīkst būt aizsegta.

## SVARĪGA INFORMĀCIJA, KURA JĀIZLASA UN JĀIEVĒRO

△ BRĪDINĀJUMS. Lai paātrinātu atkausēšanas procesu, izmantojiet tikai ražotāja ieteiktās mehāniskos, elektriskos vai ķīmiskos līdzekļus.

△ BRĪDINĀJUMS. Neizmantojiet un neievietojiet elektroierīces šīs ierīces nodalījumos, ja vien šāda veida lietošanu ir skaidri atļāvis ražotājs.

△ BRĪDINĀJUMS. Ledus gatavošanas ierīces un/vai ūdens automātus, kas nav tieši pievienoti ūdens padevei, ir jāpiepilda tikai ar dzeramo ūdeni.

△ BRĪDINĀJUMS. Automātiskās ledus gatavošanas ierīces un/vai ūdens automāti ir jāpievieno dzeramā ūdens padevei, un ūdens spiedienam ir jābūt no 0,17 līdz 0,81 MPa (no 1,7 līdz 8,1 bāriem).

△ Neuzglabājiet sprādzienbīstamas vielas, piemēram, aerosola balonus ar uzliesmojošu propelentu, šajā ierīcē.

△ Nenorijiet ledus maisiņu (dažu modeļu komplektācijā) saturu (nav toksisks). Neēdiet ledus gabaliņus vai augļu saldējumus uz kociņa tūlīt pēc to izņemšanas no saldētavas, jo tādējādi var tikt radīti apsaldējumi.

△ Lietojot ledusskapjus, kuriem paredzēts izmantot filtru, kas atrodas ventilatora pārsegā, kuram var piekļūt, filtram vienmēr ir jābūt vietā, kad ledusskapis darbojas.

△ Neuzglabājiet stikla tvertnes ar šķidrumiem saldētavas nodalījumā, jo tie var saplīst. Neaizsedziet ventilatoru (ja ierīce ar to aprīkota) ar pārtikas produktiem. Pēc produktu ievietošanas pārlicinieties, vai nodalījumu durvis aizveras pareizi, īpaši saldētavas durvis.

△ Bojātas blīves ir jānomaina, cik drīz vien iespējams.

△ Ledusskapja nodalījumu izmantojiet tikai svaiga ēdiena uzglabāšanai, bet saldētavas nodalījumu — saldēta ēdiena uzglabāšanai, svaiga ēdiena sasaldēšanai un ledus gabaliņu pagatavošanai.

△ Neuzglabājiet neiesaiņotus pārtikas produktus tiešā saskarē ar ledusskapja vai saldētavas nodalījumu iekšējām virsmām. Ierīcēm ir īpaši nodalījumi (svaigu produktu nodalījums, nulles grādu nodalījums, utt.). Ja nav īpaši norādīts izstrādājuma bukletā, tos var izņemt, nodrošinot tādu nemainīgu darbību.

### UZSTĀDĪŠANA

△ Ierīce ir jāpārvieta un jāuzstāda vismaz 2 cilvēkiem — savainojumu risks. Lai izņemtu no iepakojuma un uzstādītu, izmantojiet aizsargcimdus — grieztu traumu risks.

△ Uzstādīšana, kā arī ūdens padeves (ja tāda tiek izmantota) un elektrisko savienojumu izveide, kā arī remontdarbi ir jāveic kvalificētam tehniskajam darbiniekam. Neremontējiet ierīci un nemainiet tās detaļas, ja vien lietošanas rokasgrāmatā nav norādīts citādi. Nodrošiniet, ka uzstādīšanas vietas tuvumā neatrodas bērni.

Pēc ierīces izsaiņošanas pārliecinieties, vai tā transportēšanas laikā nav bojāta. Ja rodas problēmas, sazinieties ar izplatītāju vai tuvāko pēcpārdošanas apkalpošanas centru. Kad ierīce ir uzstādīta, iepakojums (plastmasas, putuplasts u.c.) jāuzglabā bērniem nepieejamā vietā — nosmakšanas risks. Pirms uzstādīšanas darbībām ierīce ir jāatvieno no strāvas padeves — elektrošoka risks. Uzstādīšanas laikā nodrošiniet, ka ierīce nebojā strāvas vadu — ugunsgrēka vai elektrošoka risks. Ieslēdziet ierīci tikai tad, kad uzstādīšana ir pabeigta.

⚠ Pārvietojot ierīci, uzmanieties, lai nesabojātu grīdas (piemēram, parketu). Uzstādiet ierīci uz grīdas vai balsta, kas izturēs tās svaru, kā arī tās izmēriem un lietošanai atbilstošā vietā. Pārliecinieties, vai ierīce neatrodas siltuma avota tuvumā un visi četri balsti stabili atrodas uz grīdas, pielāgojiet tos, kā nepieciešams, un pārbaudiet, vai ierīce ir līmenī, izmantojot līmeņrādi. Pirms ierīces ieslēgšanas gaidiet vismaz divas stundas, lai nodrošinātu, ka dzesēšanas sistēma ir pilnībā efektīva.

⚠ Lai garantētu atbilstošu ventilāciju, atstājiet brīvu vietu ierīces abās malās un augšpusē. Attālumam starp ierīces aizmuguri un sienu aiz tās ir jābūt 50 mm, lai izvairītos no piekļuves karstām virsmām. Ja šis attālums būs mazāks, palielināsies ierīces enerģijas patēriņš.

⚠ BRĪDINĀJUMS. Lai izvairītos no apdraudējuma, kas saistīts ar nestabilitāti, ierīces novietošana un fiksēšana ir jāveic saskaņā ar ražotāja norādījumiem. Aizliegts novietot ledusskapi tā, ka gāzes plīts metāla caurule, gāzes vai ūdens caurules vai elektrības vadi ir saskarē ar ledusskapja aizmugurējo sienu (kondensatora spoli).

⚠ Ja nepieciešams nomainīt durvis, lūdzu, sazinieties ar tehniskās palīdzības centru.

### **ELEKTRISKIE BRĪDINĀJUMI**

⚠ Ja spraudnis ir pieejams, ierīci var atvienot no strāvas padeves, atvienojot spraudni. Vai arī var izmantot daudzceliņu savienotāju, kas uzstādīts virs kontaktligzdas atbilstoši vadu uzstādīšanas noteikumiem, un ierīcei ir jābūt zemētai saskaņā valsts elektroiekārtu drošības standartiem.

⚠ Neizmantojiet pagarinātājus, vairākas kontaktrozetes vai adapterus. Pēc uzstādīšanas lietotājs nedrīkst piekļūt elektriskajiem komponentiem. Neizmantojiet ierīci, kad esat slapjš vai basām kājām. Nelietojiet ierīci, ja tās strāvas vads vai spraudnis ir bojāts, ja tā nedarbojas pareizi vai ir bojāta vai nomesta.

⚠ Ja strāvas vads ir bojāts, ražotājam, apkalpošanas centra darbiniekam vai kvalificētai personai tas jānomaina ar tādu pašu, lai novērstu apdraudējumu — elektrošoka risku.

⚠ BRĪDINĀJUMS. Novietojot ierīci, nodrošiniet, ka strāvas vads nav iesprūdis vai bojāts.


⚠ BRĪDINĀJUMS. Ierīces aizmugurē nenovietojiet vairākas pārvietojamas kontaktligzdas vai barošanas avotus.

### **TĪRĪŠANA UN APKOPE**

⚠ BRĪDINĀJUMS. Pirms apkopes veikšanas pārliecinieties, vai ierīce ir izslēgta un atvienota no strāvas padeves. Nekad neizmantojiet tvaika tīrīšanas iekārtas.

⚠ Plastmasas detaļu, iekšpuses un durvju apšuvuma vai blīvju tīrīšanai neizmantojiet abrazīvus vai koncentrētus tīrīšanas līdzekļus, piemēram, logu tīrīšanas līdzekļus, beršanas līdzekļus, uzliesmojošus šķidrums, tīrīšanas vasku, koncentrētus tīrīšanas līdzekļus, balinātājus vai tīrīšanas līdzekļus, kas satur naftas produktus. Neizmantojiet papīra dvieļus, beržamos sūkļus vai citus asus tīrīšanas rīkus.


### **IEPAKOJUMA MATERIĀLU IZMEŠANA**

Iepakojuma materiāls ir pilnībā pārstrādājams, un tas ir atzīmēts ar pārstrādes simbolu .

Dažādas iepakojuma daļas ir jāizmet atbildīgi un pilnībā ievērojot vietējo iestāžu noteikumus par atkritumu izmešanu.

### **SADZĪVES TEHNIKAS IZMEŠANA**

Šīs ierīces ražošanā ir izmantotas pārstrādājami un atkārtoti izmantojami materiāli. Izmetiet saskaņā ar vietējiem noteikumiem par atkritumu izmešanu. Lai iegūtu papildinformāciju par sadzīves tehnikas apstrādi, reģenerāciju un pārstrādi, sazinieties ar vietējo varas iestādi, atkritumu savākšanas pakalpojumu sniedzēju vai veikalu, kurā iegādājāties ierīci. Šī ierīce ir marķēta atbilstoši Eiropas Direktīvai 2012/19/EU par elektrisko un elektronisko iekārtu atkritumiem (WEEE). Nodrošinot, ka šī ierīce tiek likvidēta pareizi, jūs palīdzēsiet novērst negatīvas sekas uz vidi un cilvēku veselību.

Simbols  uz ierīces vai komplektācijā iekļautajā dokumentācijā norāda, ka to nedrīkst izmest kā sadzīves atkritumus, bet tā jānogādā atbilstošā savākšanas centrā elektrisko un elektronisko iekārtu pārstrādei.

### **PADOMI PAR ENERĢIJAS TAUPIŠANU**

Uzstādiet ierīci sausā, labi ventilētā telpā, tālu no siltuma avotiem (piemēram, radiatora, plīts u.c.) un vietā, kas nav pakļauta tiešiem saules stariem. Ja nepieciešams, izmantojiet izolācijas plāksni.

Lai garantētu pietiekamu ventilāciju, ievērojiet uzstādīšanas norādījumus. Nepietiekama ventilācija ierīces aizmugurē palielina enerģijas patēriņu un samazina dzesēšanas efektivitāti.

Bieža durvju atvēršana var palielināt enerģijas patēriņu. Ierīces iekšējo temperatūru un enerģijas patēriņu var ietekmēt arī apkārtējā temperatūra, piemēram, ierīces atrašanās vieta. Iestatot temperatūru, jāņem vērā šie faktori.

Samaziniet durvju atvēršanas biežumu līdz minimumam.

Atlaidinot saldētu ēdienu, ievietojiet to ledusskapī. Saldēto produktu zemā temperatūra atdzesē ledusskapī esošos produktus. Pirms siltu ēdienu un dzērienu ievietošanas ledusskapī, ļaujiet tiem atdzist.

Plauktu novietojums ledusskapī neietekmē energoefektivitāti. Ēdiens uz plauktiem jānovieto tā, lai nodrošinātu pareizu gaisa cirkulāciju (produkti nedrīkst saskarties un jāievēro attālums starp tiem un aizmugurējo sienu). Saldētavas ietilpību varat palielināt, izņemot grozus un Stop Frost plauktu, ja tāds ir.

Neraizējieties par kompresora radīto troksni, kas īsajā pamācībā ir aprakstīti kā parasti trokšņi.



## Vecā ledusskapja pareiza likvidēšana

### BRĪDINĀJUMS

#### Smakšanas risks

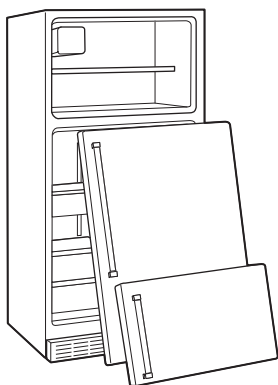
Noņemiet visas vecās durvis no ledusskapja.

Pretējā gadījumā var tikt izraisīta nāve vai smadzeņu bojājumi.

**SVARĪGI!** Bērnu iesprūšana un nosmakšana nav pagātnes problēmas. Metāllūžņos nodoti vai pamesti ledusskapji joprojām ir bīstami, pat ja tur atrodas "tikai dažas dienas". Pirms izmetat veco ledusskapi, ievērojiet šos norādījumus, lai izvairītos no negadījumiem.

**Pirms vecā ledusskapja vai saldētavas izmešanas, veiciet tālāk norādītās darbības.**

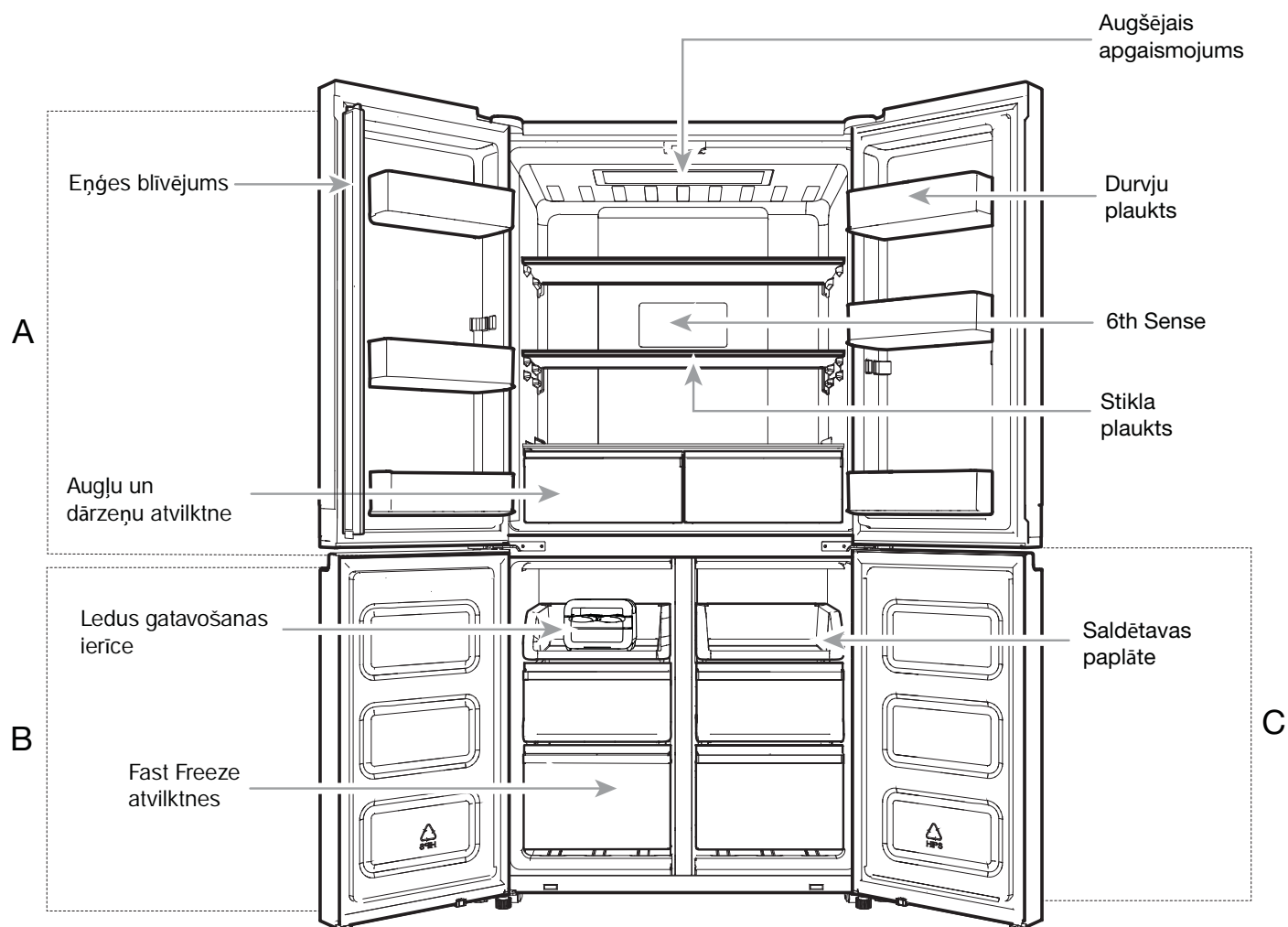
- Noņemiet durvis.
- Neizņemiet plauktus, lai bērni nevarētu viegli ierāpties ledusskapja iekšpusē.



#### Svarīga informācija par ledusskapju likvidēšanu:

Izmetiet ledusskapi saskaņā ar valsts un vietējiem noteikumiem. Ledusskapji ir jāizved licencētam tehniskajam darbinīem saskaņā ar izstrādātajām procedūrām.

## DETAĻAS UN FUNKCIJAS



- A . Ledusskapis
- B . Saldētava
- C . Flexi Freeze (tikai modeļiem WQ9 B1L, 6WM591NIHAS un WQ70900SXX)

# UZSTĀDĪŠANAS NORĀDĪJUMI

## Darba sākšana

### UZSTĀDĪŠANAS KONTROLSARAKSTS

#### ✓ Elektriskā jauda

**⚠ BRĪDINĀJUMS**



**Elektriskās strāvas trieciena risks**

**Pievienojiet zemētai kontaktligzdai.**

**Nenoņemiet zemējuma zaru.**

**Neizmantojiet adapteri.**

**Neizmantojiet pagarinātāju.**

**Šo instrukciju neievērošanas gadījumā var tikt izraisīts elektrošoks, ugunsgrēks vai nāve.**

- Pievienojiet ledusskapi zemētai kontaktligzdai.

#### ✓ Durvis

- Ja uzstādīšanas laikā durvis ir nepieciešams noņemt, skatiet sadaļas "Ledusskapja durvju noņemšana un atkārtota uzlikšana" un "Saldētavas durvju noņemšana un atkārtota uzlikšana".
- Durvis tiek pilnībā noslēgtas.
- Ledusskapis ir līmenī. Pielāgojiet regulējošos balstus, lai tie atrastos cieši pie sienas.
- Durvis augšmalā ir vienmērīgas. (Ja nepieciešams, izmantojiet izlīdzināšanas funkciju.)

#### ✓ Galīgā pārbaude

- Noņemiet visu piegādes materiālu.
- Iestatiet temperatūru atbilstoši ieteicamajai.
- Saglabājiet instrukciju un citu dokumentāciju.
- Lai saņemtu pilnīgāku palīdzību, lūdzu, reģistrējiet savu produktu vietnē [www.whirlpool.eu/register](http://www.whirlpool.eu/register).

## Ledusskapja izsaiņošana

**⚠ BRĪDINĀJUMS**

**Liela svara radīta bīstamība**

**Lai pārvietotu un uzstādītu ledusskapi, nepieciešami divi cilvēki.**

**Pretējā gadījumā var tikt radītas muguras vai citas traumas.**

### Ledusskapja piegāde

Durvju ailei ir jābūt vismaz 838 mm (33 collas) platai. Ja durvju aile ir šaurāka par 914 mm (36 collām), jānoņem durvis, jāizņem atvilktnes un eņģes.

Cauri visām ailēm izstumiet ledusskapi sāniski.

### Pārvietojot ledusskapi:

Ledusskapis ir smags. Pārvietojot ledusskapi tīrīšanai vai apkopei, nokļājiet grīdu ar kartonu vai saplāksni, lai izvairītos no bojājumiem. Pārvietojot ledusskapi, vienmēr velciet to. Pārvietojot ledusskapi, negroziet to, jo tādējādi var tikt bojāta grīda.

### Iepakojuma noņemšana

- Pirms ledusskapja ieslēgšanas noņemiet līmlentes un līmes atlikumus no tā virsmām. Ar pirkstiem un nelielu daudzumu trauku mazgāšanas līdzekļa paberzējiet līmi. Notīriet ar siltu ūdeni un nožāvējiet.
- Līmlentes vai līmes noņemšanai neizmantojiet asus priekšmetus, spirtu, uzliesmojošus šķidrumus vai abrazīvus tīrīšanas līdzekļus. Šie produkti var bojāt ledusskapja virsmu.
- Izmetiet/pārstrādājiet visus iepakojuma materiālus.

### Tīrīšana pirms lietošanas

Kad visi iepakojuma materiāli ir noņemti, pirms ledusskapja lietošanas iztīriet tā iekšpusi. Tīrīšanas norādījumus skatiet sadaļā "Ledusskapja apkope".

### Svarīga informācija par stikla plauktiem un vākiem:

Netīriet stikla plauktus vai vākus ar siltu ūdeni, ja tie ir auksti. Pakļaujot pēkšņām temperatūras izmaiņām vai triecienam, piemēram, sitienam, plaukti un vāki var saplīst. Rūdīts stikls ir veidots tā, lai tas saplīstu daudzos mazos lodveida gabaliņos. Tas ir normāli. Stikla plaukti un vāki ir smagi. Noņemot tos, turiet tos ar abām rokām, lai izvairītos no nomešanas.

## Prasības attiecībā uz atrašanās vietu

### ⚠ BRĪDINĀJUMS



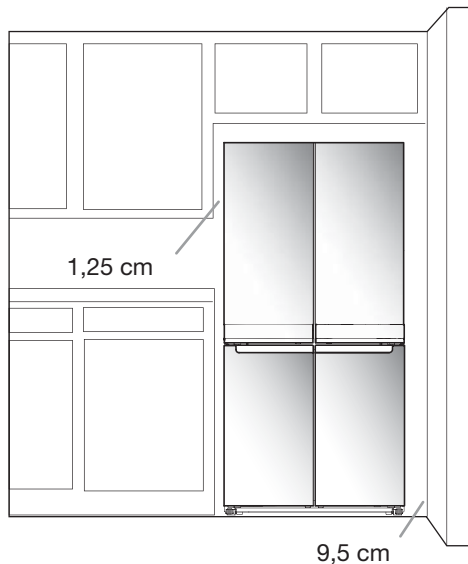
#### Sprādziena risks

Ledusskapja tuvumā neuzglabājiet uzliesmojošus materiālus un izgarojumus, piemēram, benzīnu.

Pretējā gadījumā var rasties sprādziens vai ugunsgrēks vai iestāties nāve.

Lai nodrošinātu atbilstošu ledusskapja ventilēšanu, katrā malā un augšpusē atstājiet 1,25 cm brīvas vietas. Aiz ledusskapja atstājiet 5 cm brīvas vietas. Ja ledusskapis ir aprīkots ar ledus gatavošanas ierīci, atstājiet vairāk vietas ledusskapja aizmugurē (ūdensvada pievienošanai). Uztādot ledusskapi blakus fiksētai sienai, starp ledusskapi un sienu atstājiet vismaz 9,5 cm brīvas vietas, lai varētu atvērt durvis.

**PIEZĪME.** Ledusskapi ir paredzēts vietā, kur gaisa temperatūra ir no 10 °C līdz 43 °C. Vēlamā telpas temperatūra optimālai darbībai, kas samazina elektroenerģijas patēriņu un nodrošina visefektīvāko dzesēšanu, ir no 15 °C līdz 32 °C. Ledusskapi nav ieteicams uzstādīt siltuma avota, piemēram, cepeškrāsns vai radiatora, tuvumā.



## Elektriskās prasības

### ⚠ BRĪDINĀJUMS



#### Elektriskās strāvas trieciena risks

Pievienojiet zemētai kontaktligzdai.

Nenoņemiet zemējuma zaru.

Neizmantojiet adapteri.

Neizmantojiet pagarinātāju.

Šo instrukciju neievērošanas gadījumā var tikt izraisīts elektrošoks, ugunsgrēks vai nāve.

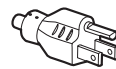
**SVARĪGI!** Uzstādīšana un elektrisko savienojumu izveide ir jāveic kvalificētam tehniskajam darbiniekam saskaņā ar ražotāja norādījumiem un vietējiem drošības noteikumiem.

- Ledusskapja darbība paredzēta, izmantojot atsevišķu 220–240 voltu, 10 A, 50/60 Hz shēmu.
- Pārliecinieties, ka datu plāksnē norādītais spriegums atbilst jūsu mājās izmantotajam spriegumam.
- Jānodrošina, ka ierīci var atvienot no strāvas padeves, atvienojot spraudni vai izmantojot galveno divu polu slēdzi, kas uzstādīts virs kontaktligzdas.
- Ja strāvas vads ir bojāts, ražotājam, apkalpošanas centra darbiniekam vai kvalificētai personai tas jānomaina, lai novērstu apdraudējumu.

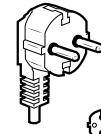
Pirms ledusskapja pārvietošanas uz tā galīgo atrašanās vietu ir svarīgi pārliecināties, vai ir pieejams pareizs elektrosavienojums:

#### Ieteicamā zemēšanas metode

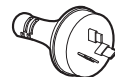
Nepieciešama 220–240 voltu 50 Hz, 220 voltu 60 Hz vai 230/240 voltu 50 Hz maiņstrāvas 10 A zemēta elektroapgāde ar drošinātājiem.



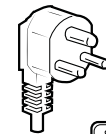
B tips



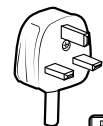
E un F tips



I tips



M tips



G tips

#### Austrālijā un Jaunzēlandē:

jaunajai ierīcei ir jābūt ražotai, lai īpaši atbilstu Austrālijas standartiem un nosacījumiem.

Daži apzīmējumi uzstādīšanas norādījumos var attiekties uz elektriskajām prasībām citās valstīs, tāpēc pievēršam jūsu uzmanību šim konkrētajam piezīmēm.

Ierīcei ir jābūt pievienotai 230/240 voltu 50 Hz maiņstrāvas 10 A zemētai kontaktligzdai.



## Elektriskās prasības (tikai Lielbritānija un Īrija)

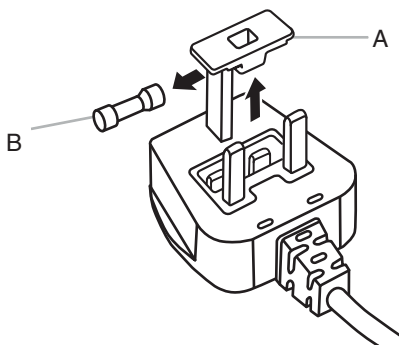
**SVARĪGI!** Ledusskapim ir jābūt zemētam.

### Drošinātāju nomainīšana

Ja šī ledusskapja spēka pievads ir aprīkots ar BS1363A, 13 A spraudni ar drošinātāju, lai nomainītu šāda veida spraudni, izmantojiet A.S.T.A. Apstiprinātu drošinātāju (BS 1362 tips) un rīkojieties, kā norādīts tālāk.

1. Noņemiet drošinātāja pārsegu (A) un drošinātāju (B).
2. Ievietojiet maiņas 13 A drošinātāju pārsegā.
3. Ievietojiet drošinātāju un tā pārsegu spraudnī.

**SVARĪGI!** Mainot drošinātāju, tā pārsegs ir jāuzliek atpakaļ. Ja pārsegs ir pazudis, spraudni nedrīkst izmantot, kamēr nav uzlikts pareizs pārsegs. Pareizu pārsegu var atpazīt pēc krāsainā ieliktna vai krāsainā "vārda", kas iespiests uz spraudņa pamatnes. Drošinātāju rezerves pārsegi ir pieejami jūsu vietējā elektropreču veikalā.



A. Drošinātāja pārsegs  
B. Drošinātājs

### Īrijai (tikai):

Bieži vien būs spēkā informācija, kas sniegta attiecībā uz Lielbritāniju, tomēr tiek izmantots arī trešā tipa spraudnis un kontaktligzda, 2 tapu, sānu zemējuma tipa.

### Kontaktligzda/spraudnis (derīgs abām valstīm):

Ja spraudnis nav piemērots kontaktligzdai, lūdzu, sazinieties ar pēcpārdošanas apkalpošanas centru, lai saņemtu turpmākus norādījumus. Lūdzu, nemēģiniet patstāvīgi mainīt spraudni. Saskaņā ar ražotāja norādījumiem un pašreizējiem standarta drošības noteikumiem šī procedūra ir jāveic kvalificētam tehniskajam darbiniekam.

## Temperatūra

Šis ledusskapis ir paredzēts lietošanai vietās, kur apkārtējās vides temperatūra atbilst tālāk norādītajiem diapazoniem atbilstoši klimata klasei, kas norādīta uz datu plāksnes. Ledusskapis var nedarboties pareizi, ja tas ilgstoši atrodas temperatūrā, kas neatbilst norādītajam diapazonam.

**PIEZĪME.** Ieteicams neuzstādīt ledusskapi siltuma avota, piemēram, cepeškrāsns vai radiatora, tuvumā.

Klimata klase	Apk. t. (°C)	Apk. t. (°F)
SN	10–32	50–90
N	16–32	61–90
ST	16–38	61–100
T	16–43	61–110

## Ledusskapja durvju noņemšana un atkārtota uzlikšana

**PIEZĪME.** Nomēriet durvju ailes platumu un noskaidrojiet, vai nepieciešams noņemt ledusskapja durvis, lai varētu ienest ledusskapi jūsu mājās. Ja nepieciešams noņemt durvis, skatiet tālāk sniegtos norādījumus.

**SVARĪGI!** Ja ledusskapis bija iepriekš uzstādīts un tagad to pārvietojat no mājām, pirms durvju noņemšanas izslēdziet ledusskapja vadību. Atvienojiet ledusskapi vai izslēdziet strāvas padevi. Izņemiet produktus un pielāgojamās durvis vai tvertnes no durvīm.

Sagatavojiet nepieciešamos instrumentus un pirms durvju noņemšanas izlasiet visus norādījumus.

**NEPIECIEŠAMIE INSTRUMENTI:** 6 mm ārējā galatslēga, 5 mm ārējā galatslēga un Phillips skrūvgriezis nr. 2.



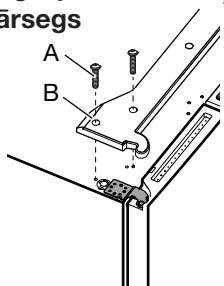
### ⚠ BRĪDINĀJUMS

Elektriskās strāvas trieciena risks

Pirms durvju noņemšanas atvienojiet strāvas padevi.

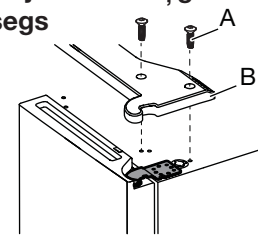
Pretējā gadījumā var rasties elektriskās strāvas trieciens vai iestāties nāve.

#### Augšējās kreisās eņģes pārsegs



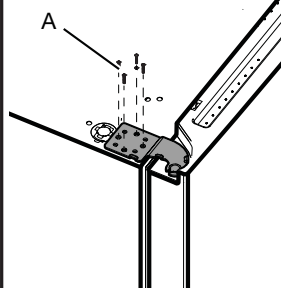
- A. Augšējās eņģes pārsega skrūves
- B. Augšējās eņģes pārsegs

#### Augšējās labās eņģes pārsegs



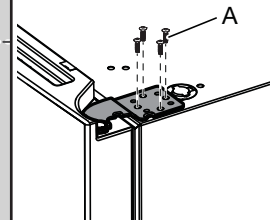
- A. Augšējās eņģes pārsega skrūves
- B. Augšējās eņģes pārsegs

#### Augšējā kreisā eņģe



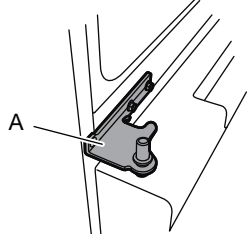
- A. 5 mm ligzdas skrūves

#### Augšējā labā eņģe



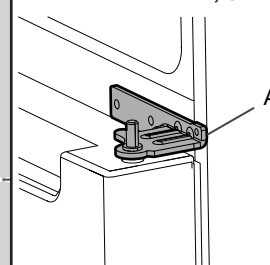
- A. 5 mm ligzdas skrūves

#### Vidējā kreisā eņģe



- A. Eņģe

#### Vidējā labā eņģe



- A. Eņģe

## ⚠ BRĪDINĀJUMS

### Liela svara radīta bīstamība

Lai paceltu ledusskapja durvis, ir nepieciešami vismaz divi cilvēki.

Pretējā gadījumā var tikt radītas muguras vai citas traumas.

### Ledusskapja durvju noņemšana

## ⚠ BRĪDINĀJUMS



### Elektriskās strāvas trieciena risks

Pirms durvju noņemšanas atvienojiet strāvas padevi.

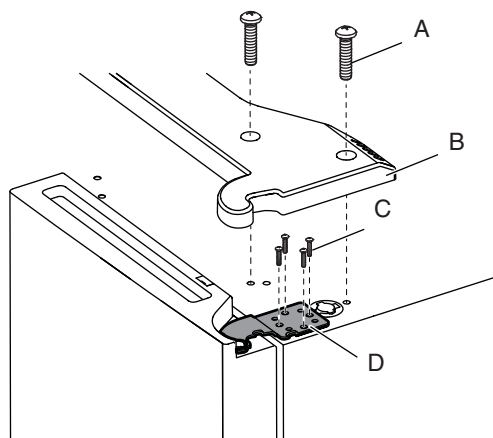
Pretējā gadījumā var rasties elektriskās strāvas trieciens vai iestāties nāve.

### Labās puses durvju noņemšana

1. Atvienojiet ledusskapi vai izslēdziet strāvas padevi.
2. Ledusskapja durvīm ir jābūt aizvērtām, līdz esat gatavs tās nocelt no ledusskapja.

**PIEZĪME.** Noņemot eņģes, papildus atbalstiet ledusskapja durvis. Darba laikā nepaļaujieties, ka durvju blīvju magnēti turēs durvis vietā.

3. Izmantojot Phillips skrūvgriezi, noņemiet augšējās eņģes pārsegu.
4. Izmantojot 5 mm galatslēgu, izņemiet četras augšējās eņģes skrūves un nolieciet tās malā.



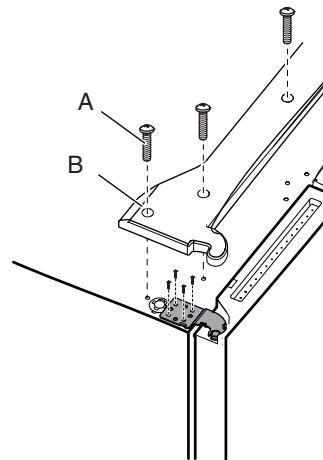
- A. Augšējās eņģes pārsega skrūve      C. 5 mm ligzdas skrūves  
B. Augšējās eņģes pārsegs            D. Augšējā eņģe

5. Noceliet ledusskapja durvis no vidējās eņģes tapas. Augšējā eņģe tiks atbrīvota kopā ar durvīm.

### Kreisās puses durvju noņemšana

**SVARĪGI!** UI vadi iet cauri kreisās puses durvju eņģēm, tāpēc pirms durvju noņemšanas tie ir jāatvieno.

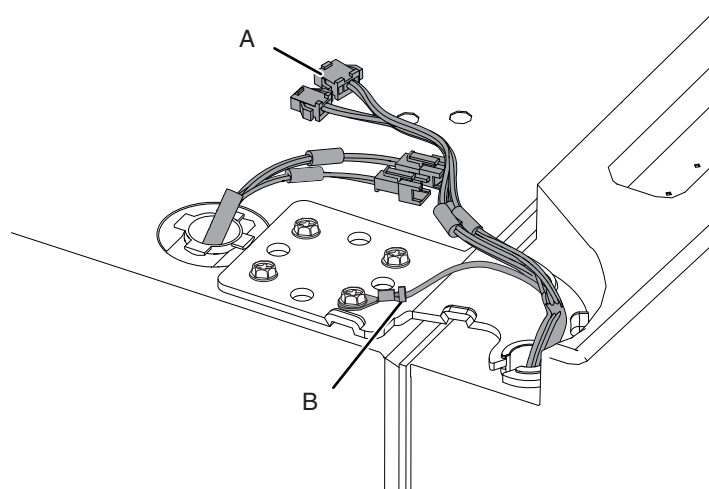
1. Izmantojot Phillips skrūvgriezi, noņemiet augšējās eņģes pārsegu.



- A. Augšējās eņģes pārsega skrūve  
B. Augšējās eņģes pārsegs

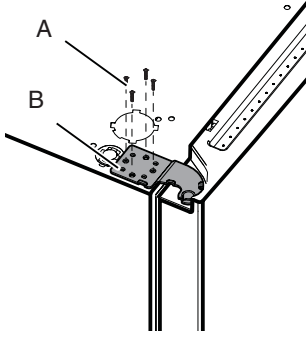
2. Atvienojiet divus vadu spraudņus, kas atrodami durvju eņģes augšpusē.

- Satveriet abas vadu spraudņu puses. Ar kreiso ikšķi piespiediet, lai atbrīvotu fiksatoru un atdāliet spraudņu daļas.



- A. Vadu spraudnis  
B. Zemējuma savienotājs

- Izmantojot 5 mm galatslēgu, izņemiet četras augšējās eņģes skrūves un nolieciet tās malā.



A. 5 mm ligzdas skrūves  
B. Augšējā eņģe

**PIEZĪME.** Noņemot eņģes, papildus atbalstiet ledusskapja durvis. Darba laikā nepaļaujieties, ka durvju blīvju magnēti turēs durvis vietā.

- Noceliet ledusskapja durvis no apakšējās eņģes tapas. Augšējā eņģe tiks atbrīvota kopā ar durvīm.

**PIEZĪME.** Iespējams, nebūs jānoņem apakšējās eņģes un bremzes pedāļu komplekts, lai pārvietotu ledusskapi cauri durvju ailei.

- Tikai ja nepieciešams, izmantojiet 6 mm galatslēgu un Phillips skrūvgriezi nr. 2, lai noņemtu vidējo eņģi.

#### Labās puses ledusskapja durvju atkārtota uzlikšana

- Uzlieciet labās puses durvis uz vidējās eņģes tapas.
- Augšējās eņģes tapu ievietojiet atverē ledusskapja durvju augšpusē.
- Izmantojot 5 mm skrūves piestipriniet eņģi pie ledusskapja. Npievelciet skrūves līdz galam.

#### Kreisās puses ledusskapja durvju atkārtota uzlikšana

- Uzlieciet kreisās puses durvis uz vidējās eņģes tapas.
- Izmantojot 5 mm skrūves piestipriniet eņģi pie ledusskapja. Npievelciet skrūves līdz galam.
- Atkārtoti pievienojiet elektrības vadus.
  - Saspiediet kopā abas vadu spraudņa daļas.
  - Atkārtoti savienojiet iezemējuma vadu pie eņģes skrūves.

#### Pēdējās darbības

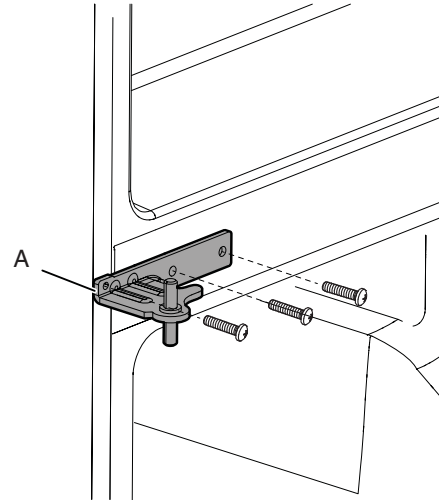
- Pievelciet astoņas 5 mm skrūves līdz galam.
- Atkārtoti uzlieciet eņģu pārsegus.

## Saldētavas/Flexi Freeze durvju noņemšana un atkārtota uzlikšana

- Saldētavas durvīm ir jābūt aizvērtām, līdz esat gatavs tās nocelt no saldētavas.

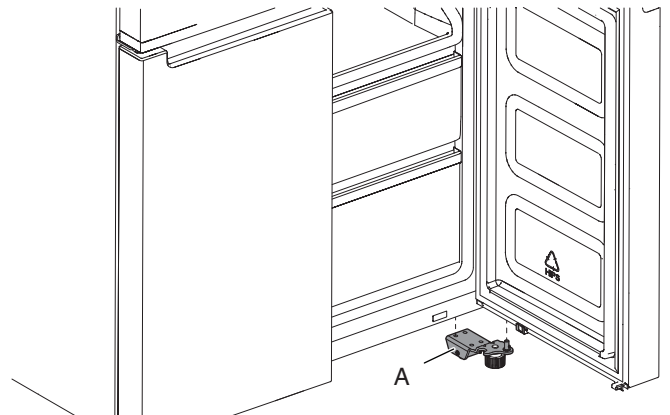
**PIEZĪME.** Noņemot eņģes, papildus atbalstiet saldētavas durvis. Darba laikā nepaļaujieties, ka durvju blīvju magnēti turēs durvis vietā.

- Lai noņemtu vidējo eņģi no saldētavas, izmantojiet Phillips skrūvgriezi nr. 2 un 6 mm galatslēgu.



A. Vidējā eņģe

- Noceliet saldētavas durvis no apakšējās eņģes tapas.



A. Apakšējā eņģe

## BRĪDINĀJUMS



### Elektriskās strāvas trieciena risks

Pievienojiet zemētai kontaktligzdai.

Nenoņemiet zemējuma zaru.

Neizmantojiet adapteri.

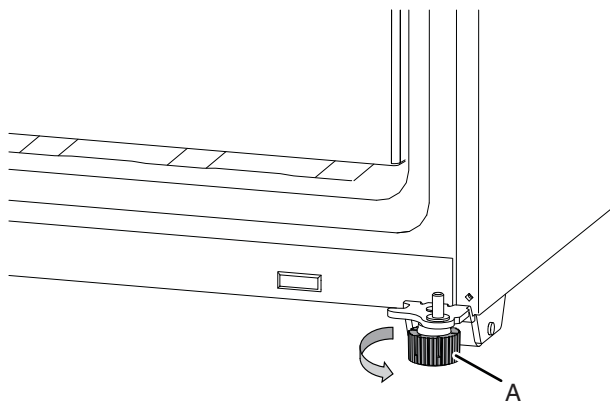
Neizmantojiet pagarinātāju.

Šo instrukciju neievērošanas gadījumā var tikt izraisīts elektrošoks, ugunsgrēks vai nāve.

1. Pievienojiet zemētai kontaktligzdai.
2. Atgrieziet visas izņemamās detaļas un pārtikas produktus atvilktnēs.

## Ledusskapja līmeņošana

1. Pārvietojiet ledusskapi uz tā galīgo atrašanās vietu.
2. Izmantojot roku, pagrieziet bremzējošos balstus. Pagrieziet tos pretēji pulkstenrādītāju kustības virzienam, līdz ritenī ir pacelti no grīdas un abi bremzējošie balsti atrodas stabili uz grīdas. Tādējādi ledusskapis neripos uz priekšu, kad tiks atvērta durvis.



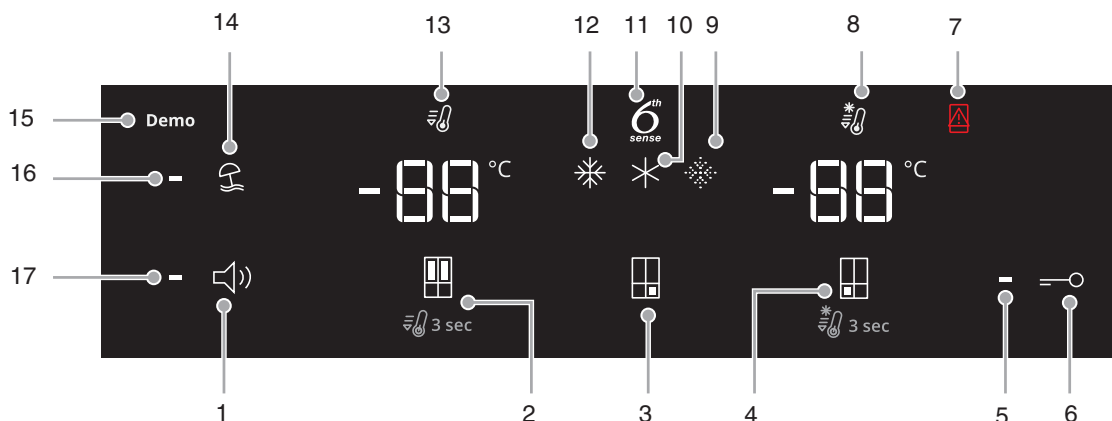
A. Bremzējošie balsti

**SVARĪGI!** Ja nepieciešams veikt korekcijas saistībā ar bremzējošiem balstiem, tie abi jāpagriež vienādi daudz reižu, lai ledusskapis būtu līmenī.

3. Izmantojiet līmeņrādi, lai pārlicinātos, vai ledusskapis ir līmenī gan sāniski, gan no priekšas uz aizmuguri.

## Vadības elementu izmantošana

Skārienvadības elementi atrodas ledusskapja kreisās puses durvīs. Vadības paneli ir ietverta informācija par dažādām pogām un indikatoriem. Ledusskapja un saldētavas temperatūras indikatorā ir norādīta pēdējā iestatītā temperatūra.



1. Skaņas ieslēgšanas/izslēgšanas poga
2. Ledusskapja temperatūras poga (turiet nospiestu 3 s, lai aktivizētu Fast Cool)
3. Flexi Freeze sākotnējā iestatījuma temperatūras poga (tikai modeļiem WQ9 B1L, 6WM591NIHAS un WQ70900SXX)
4. Saldētavas temperatūras poga (turiet nospiestu 3 s, lai aktivizētu Fast Freeze)
5. Taustiņu bloķēšanas indikators
6. Taustiņu bloķēšanas poga
7. Atvērtu durvju indikators
8. Ātrās saldēšanas indikators
9. Maigās saldēšanas indikators (tikai modeļiem WQ9 B1L, 6WM591NIHAS un WQ70900SXX)
10. Vidējas saldēšanas indikators (tikai modeļiem WQ9 B1L, 6WM591NIHAS un WQ70900SXX)
11. 6th Sense indikators
12. Spēcīgās saldēšanas indikators (tikai modeļiem WQ9 B1L, 6WM591NIHAS un WQ70900SXX)
13. Ātrās atvēsināšanas indikators
14. Atvaļinājuma režīma poga
15. Demonstrācijas režīma indikators (tikai modeļiem WQ9 B1L, 6WM591NIHAS un WQ70900SXX)
16. Atvaļinājuma režīma poga
17. Skaņas indikators

Ja vadības panelis netiek izmantots vienu minūti, tas tiek automātiski izslēgts. Lai ieslēgtu vadības paneli, nospiediet jebkuru taustiņu.

### -88 Temperatūras iestatījumu skatīšana un maiņa

#### Ledusskapja un saldētavas nodalījuma temperatūras maiņa:

Jūsu ērtībām ledusskapja un saldētavas funkcija ir iestatīta rūpnīcā.

Pirmo reizi uzstādot ledusskapi, pārliecinieties, ka joprojām ir iestatīti ieteicamie iestatījumi. Rūpnīcas ieteicamie iestatījumi ir 3 °C ledusskapim un -18 °C saldētavai.

Nospiežot ledusskapja vai saldētavas temperatūras pogu, tiks pārslēgti temperatūras iestatījumi celsija skalā (°C)

#### SVARĪGI!

- Pirms pārtikas produktu ievietošanas ledusskapī nogaidiet 24 stundas. Ja ieviejojat pārtikas produktus, pirms ledusskapis ir pilnībā atdzisis, pārtikas produkti var sabojāties.  
**PIEZĪME.** Mainot iestatījumus uz temperatūru, kas zemāka par ieteicamo, nodalījumi netiks atdzēsēti ātrāk.
- Ja temperatūra ledusskapī vai saldētavā ir pārāk augsta vai pārāk zema, vispirms pārbaudiet ventilācijas atveres, lai pārlicinātos, ka tās nav aizsegta, un itkā pēc tam mainiet iestatījumus.
- Ieteicamie iestatījumi ir atbilstoši lietošanai mājās. Ja iestatījumi ir pareizi, piens vai sula ir tieši vēlamajā temperatūrā un saldējums ir ciets.  
**PIEZĪME.** Tādās vietās kā garāža, pagrabs vai lievenis var būt augstāks mitruma līmenis vai ekstremālas temperatūras. Atbilstoši šādiem apstākļiem, iespējams, būs jāmaina temperatūra, neievērojot ieteicamos iestatījumus.
- Mainot temperatūru, pēc tam gaidiet vismaz 24 h. Pirms korekciju veikšanas vēlreiz pārbaudiet temperatūras.

### 6<sup>th</sup> Sense Fresh Lock un Freeze vadības elementi

6<sup>th</sup> SENSE Fresh Lock sensors nodrošina precīzu un konsekventu temperatūras kontroli, lai pārtikas produkti dabiskākajā veidā būtu svaigi ilgāk. Kad tiek konstatētas temperatūras pārmaiņas, sensors aktivizē kompresoru, kas ātri atjauno sākotnējo temperatūru.

6<sup>th</sup> SENSE Freeze sensori samazina temperatūras izmaiņas saldētavā, pateicoties inovatīvai temperatūras pārvaldības sistēmai. Lai saglabātu pārtikas produktu krāsu un kvalitāti, tiek samazināti saldētavas radītie apsaldējumi.

#### \* \* \* Flexi Freeze indikators (tikai modeļiem WQ9 B1L, 6WM591NIHAS un WQ70900SXX)

Flexi Freeze funkcija ļauj pārslēgt Flexi freeze nodalījuma sākotnēji iestatīto temperatūru.

Simbols	Funkcija	Temperatūra
✱	Tradicionālā saldēšana	-18 °C
✱	Vieglā saldēšana	-12 °C
✱	Maigā saldēšana	-7 °C

\* Lai aktivizētu/deaktivizētu iestatījumu Coolest (-20 °C), 3 sekundes turiet nospiestu Flexi Freeze sākotnēji iestatītās temperatūras pogu

#### Vairāku temperatūru iestatījuma maiņa



- Tradicionālā saldēšana (-18 °C): jau sasaldēti produkti un svaigi produkti (maks. 12 mēneši)
- Vieglā saldēšana (-12 °C): jau sasaldēti produkti (maks. 1 mēnesis)
- Maigā saldēšana (-7 °C): jau sasaldēti produkti (maks. 1 nedēļa)

Pielāgojot iestatīto temperatūru, informācijai izmantojiet tālāk redzamo diagrammu.

NOSACĪJUMS	TEMPERATŪRAS KOREKCIJA
Ledusskapis ir pārāk auksts	Ledusskapja iestatījums par 1° augstāks
Ledusskapis pārāk silts	Ledusskapja iestatījums par 1° zemāks
Saldētava pārāk auksta	Saldētavas iestatījums par 1° augstāks
Saldētava pārāk silta/ pārāk maz ledus	Saldētavas iestatījums par 1° zemāks



### **Fast Cool**

Funkcija Fast Cool palīdz brīžos, kad ledusskapis tiek intensīvi lietots, tas ir pilns ar pārtikas produktiem vai kad istabas temperatūra īslaicīgi ir augstāka.

- Lai ieslēgtu funkciju Fast Cool, nospiediet un 3 turiet nospiešu ledusskapja temperatūras pogu . Kad funkcija būs aktivizēta, tiks iedegta Fast Cool ikona. Funkcija Fast Cool būs ieslēgta 2 stundas, ja tā netiks manuāli izslēgta.
- Lai manuāli izslēgtu funkciju Fast Cool, nospiediet un 3 turiet nospiešu ledusskapja temperatūras pogu . Kad funkcija būs deaktivizēta, Fast Cool tiks izslēgta.
- Mainot ledusskapja temperatūru, funkcija Fast Cool tiks automātiski izslēgta.

### **Fast Freeze**

Svaiga ēdiena daudzums (kilogramos), ko var sasaldēt 24 stundu laikā, ir norādīts uz ierīces datu plāksnes.

- 3 sekundes turiet nospiešu saldētavas temperatūras pogu  (līdz tiek iedegts Fast Freeze indikators) 24 stundas pirms svaigu produktu ievietošanas saldētavā. Pēc svaigu produktu ievietošanas saldētavā funkcijai Fast Freeze parasti pietiek ar 24 stundām. Pēc 50 stundām funkcija Fast Freeze tiek automātiski deaktivizēta.
- Lai manuāli izslēgtu funkciju Fast Freeze, nospiediet un 3 turiet nospiešu saldētavas temperatūras pogu . Fast Freeze ikona tiks izslēgta.
- Mainot saldētavas temperatūru, funkcija Fast Freeze tiks automātiski izslēgta.

### **Atvaļinājuma režīms**

Šis režīms ir paredzēts, lai ierīce netērētu elektroenerģiju, ja tā netiek regulāri lietota (piemēram, kad esat atvaļinājumā).

Atlasot šo funkciju, ledusskapja nodalījuma (RC) temperatūra tiks automātiski iestatīta uz siltāko.

- Lai izmantotu atvaļinājuma režīmu, nospiediet režīma pogu, līdz displejā iedegas atvaļinājuma režīma indikators.
- Lai deaktivizētu atvaļinājuma režīmu, nospiediet režīma pogu, līdz displejā nedeg režīma indikators.
- Mainot ledusskapja temperatūru, atvaļinājuma režīms tiks automātiski izslēgts.

**SVARĪGI!** Ja šis režīms ir atlasīts, no ledusskapja nodalījuma ir jāizņem visi ēdieni un dzērieni.

### **Skaņas ieslēgšana/izslēgšana**

Lai aktivizētu/deaktivizētu skaņu, nospiediet pogu.

### **Taustiņu bloķēšana**

- Nospiediet un 3 sekundes turiet bloķēšanas pogu, lai aktivizētu bloķēšanas funkciju.
- Lai deaktivizētu bloķēšanas funkciju, nospiediet un 3 sekundes turiet nospiešu bloķēšanas funkciju.

Kamēr lietotājs nebūs atbloķējis vadības paneli, bloķēšanas funkcija ignorēs visas ar vadības paneli veiktās darbības. Šī funkcija ir paredzēta, lai novērstu iestatījumu nejaušu maiņu.

### **Demonstrācijas režīms (tikai modeļiem WQ9 B1L, 6WM591NIHAS un WQ70900SXX)**


Šis režīms tiek izmantots, kad ledusskapis ir izstādīts veikalā vai ja vēlaties izslēgt dzesēšanu un deaktivizēt visas citas funkcijas (izņemot iekšpusē apgaismojumu).

Demonstrācijas režīmu var izmantot, ja dodaties ilgstošā atvaļinājumā. Informāciju par pareizām darbībām, kas jāveic, lai ilgstoši atstātu ledusskapi šajā režīmā, skatiet sadaļā "Apkope atvaļinājuma vai pārvākšanās laikā".

- Ja ieslēdzat demonstrācijas režīmu, displejā tiks iedegta demonstrācijas ikona.
- Ieslēdziet vai izslēdziet demonstrācijas režīmu, vienlaicīgi nospiežot un 3 sekundes turot nospiešanas skaņas ieslēgšanas/izslēgšanas un taustiņu bloķēšanas pogas.

### **Papildu funkcijas**

#### **Atvērtu durvju signāls**

- Ja jebkuras no četrām durvīm ir atvērtas vismaz 2 minūtes, atskan atvērtu durvju signāls un mirgo atvērtu durvju ikona .
- Signāls tiek atkārtots ik pēc 5 minūtēm. Lai to izslēgtu, aizveriet durvis.

**PIEZĪME.** Lai izslēgtu signāla skaņu, kamēr durvis ir atvērtas, piemēram, tīrot ledusskapja iekšpusi, pieskarieties jebkurai vadības paneļa pogai. Signāls tiks īslaicīgi izslēgts, bet atvērtu durvju ikona joprojām būs iedegta vadības panelī.

### **Ledusskapja apgaismojums**

Ledusskapis ir aprīkots ar iekšējo apgaismojumu, kas tiek ieslēgts, kad tiek atvērtas durvis.

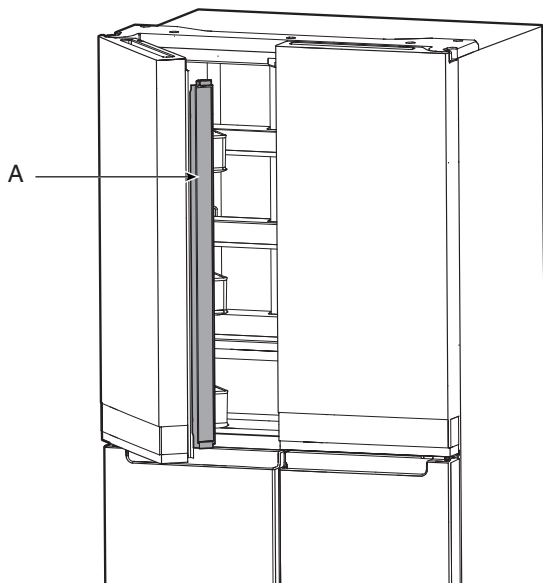
**PIEZĪME.** Tā ir LED spuldze, kas nav jāmaina. Ja, atverot durvis, LED apgaismojums netiek ieslēgts, sazinieties ar apkalpošanas centru, lai nomainītu spuldzi.

# LEDUSSKAPJA LIETOŠANA

## Durvju atvēršana un aizvēršana

Ledusskapja nodalījumam ir divas durvis. Durvis var atvērt atsevišķi vai kopā. Uz ledusskapja kreisās puses durvīm ir vertikāla eņģe ar blīvējumu.

- Kad tiek atvērtas kreisās puses durvis, blīvējums automātiski tiek ielocīts uz iekšu, lai tas netraucētu.
- Kad abas durvis ir aizvērtas, blīvējums automātiski veido abu durvju izolāciju.

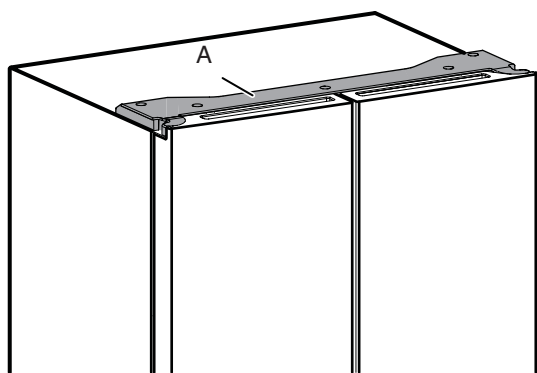


A. Eņģes blīvējums

Ledusskapja nodalījuma durvju slēdzis atrodas augšējās kreisās un labās eņģes pārsegā.

- Saldētavas un vairāku temperatūru zonai durvju slēdzis atrodas apakšējā statnī.
- Lai konstatētu durvju atvēršanu/aizvēršanu, durvju slēdzis izmanto magnētu.
- Nodrošiniet, ka 7,62 cm attālumā no eņģes pārsega neatrodas magnēti vai elektroniskās ierīces (Speaker, Coolvox® u.c.).

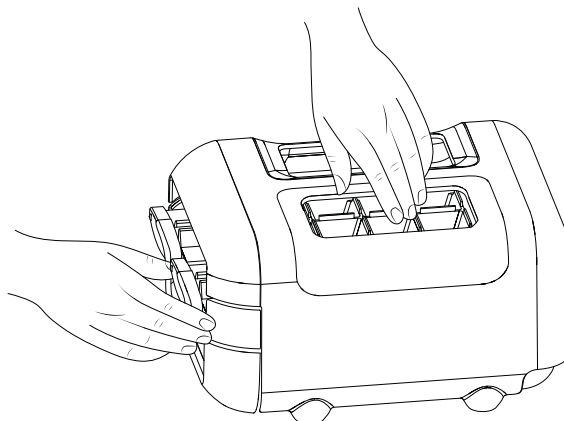
**PIEZĪME.** Ja netiks konstatēta durvju atvēršana, apgaismojums neiedegsies.



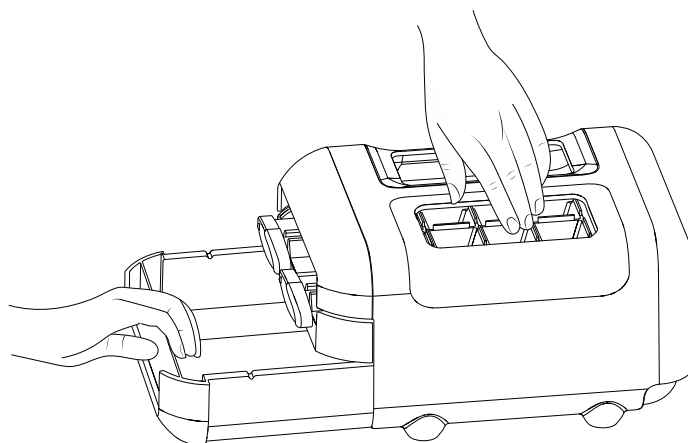
A. Eņģes pārsegs

## Ledus gatavošanas ierīce

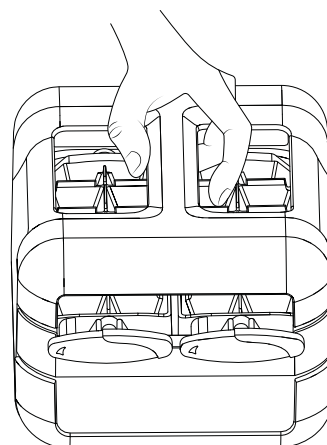
- Lai pagatavotu ledu, piepildiet ledu trauku ar attīrītu ūdeni un ievietojiet manuālo ledu gatavošanas ierīci saldētavas augšējā plauktā. Uzgaidiet, līdz izveidojas ledus, un kad tas ir gatavs, pagrieziet pogas pulksteņrādītāju kustības virzienā, lai ledu gabaliņi tiktu izmesti ledu nodalījumā.



- Nedaudz paceliet ledu nodalījumu, lai varētu piekļūt ledu gabaliņiem.



Ja ledu nav nepieciešams, manuālās ledu gatavošanas ierīces komplektu var izņemt no saldētavas, lai atbrīvotu vietu saldētavā.



## Pārtikas produktu glabāšana

### Olu glabāšana

Olas ir ieteicams uzglabāt konsekvētā temperatūrā, lai saglabātu to svaigumu, tāpēc vislabāk tās uzglabāt ledusskapja vidējā plauktā.



# PLAUKTI, TVERTNES UN ATVILKTNES

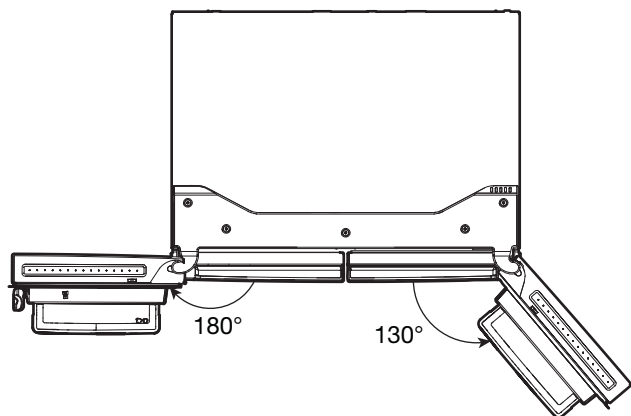
## Svarīga informācija par stikla plauktiem un vākiem:

Netīriet stikla plauktus vai vākus ar siltu ūdeni, ja tie ir auksti. Pakļaujot pēkšņām temperatūras izmaiņām vai triecienam, piemēram, sitienam, plaukti un vāki var saplīst. Rūdīts stikls ir veidots tā, lai tas saplīstu daudzos mazos lodveida gabaliņos. Tas ir normāli. Stikla plaukti un vāki ir smagi. Noņemot tos, turiet tos ar abām rokām, lai izvairītos no nomešanas.

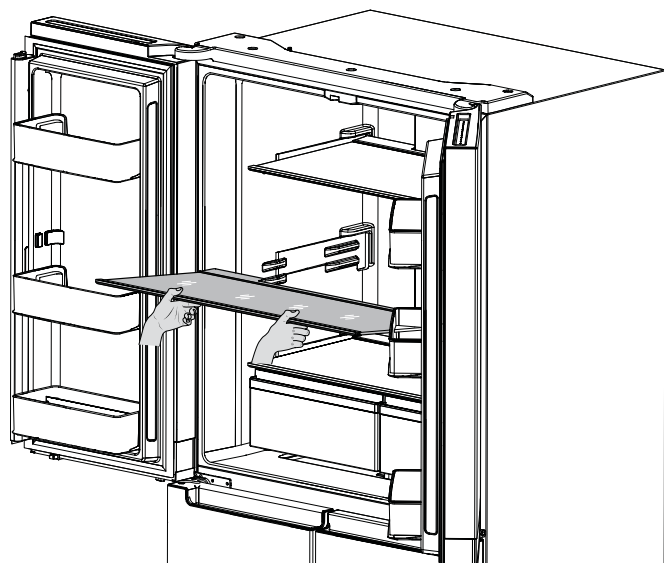
## Plauktu augstuma maiņa

Plaukta augstumu var mainīt, mainot tā atrašanās vietu no apakšējā balsta līdz augšējam un otrādi.

- Pilnībā atveriet labās puses durvis.
- Pilnībā atveriet kreisās puses durvis un pēc tam paceliet durvis, lai atvērtu 180°.



- Izņemiet plauktu no ledusskapja un ievietojiet to vēlamajā pozīcijā.



- Pārliedzieties, ka plaukts ir pareizi novietots uz plauktu balstiem.

## Plaukti un plauktu rāmji

Ledusskapja plaukti ir pielāgojami atbilstoši individuālām uzglabāšanas vajadzībām.

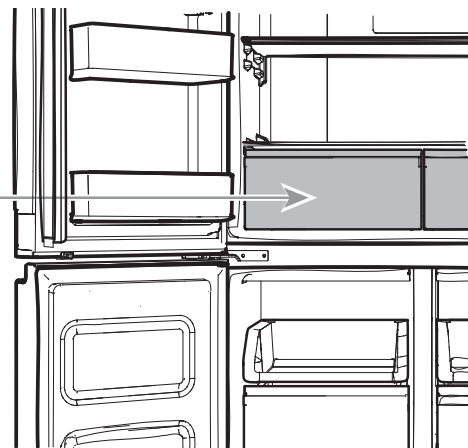
Līdzīgu pārtikas produktu glabāšana vienuviet ledusskapī un plauktu pielāgošana dažādu produktu augstumam atvieglos nepieciešamā produkta atrašanu. Šādi tiks arī samazināts ledusskapja durvju atvēršanas ilgums un ietaupīta elektroenerģija.

### Lai izņemtu un atkārtoti ievietotu plauktus, veiciet tālāk norādītās darbības.

1. Pilnībā atveriet labās puses un kreisās puses durvis un paceliet kreisās puses durvis, lai atvērtu 180°.
2. Izņemiet vidējo plauktu vai augšējo plauktu, paceļot to uz augšu un izņemot no plauktu balstiem. Pēc tam velciet plauktu uz priekšu un nolieciet uz leju vertikālā pozīcijā. Sagrieziet plauktu un izvelciet to no ledusskapja.
3. Izņemiet apakšējo plauktu, paceļot to uz augšu un izņemot no plauktu balstiem. Pēc tam velciet plauktu uz priekšu un nolieciet uz augšu vertikālā pozīcijā. Sagrieziet plauktu un izvelciet to no ledusskapja.
4. Ievietojiet vidējo un augšējo plauktu atpakaļ, ievietojot plauktu ledusskapī pagrieztu un ar priekšpusi uz leju. Paceliet plaukta priekšpusi uz augšu un bīdiet to, līdz plaukta aizmugure tiek ievietota balstos. Nolaidiet plaukta priekšpusi un pārliedzieties, vai tas atrodas vietā.
5. Ievietojiet apakšējo plauktu atpakaļ, ievietojot plauktu ledusskapī pagrieztu un ar priekšpusi uz augšu. Nolaidiet plaukta priekšpusi uz leju un bīdiet to, līdz plaukta aizmugure tiek ievietota balstos. Nolaidiet plaukta priekšpusi un pārliedzieties, vai tas atrodas vietā.

## Atvilktnes

Atvilktne

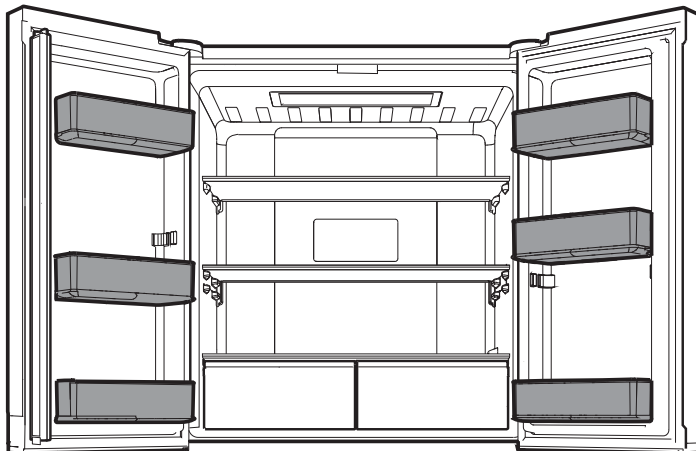


### Lai izņemtu atvilktnes un ievietotu tās atpakaļ, veiciet tālāk norādītās darbības.

1. Satveriet atvilktnes rokturi un velciet to uz āru, līdz tā vairs nekustas. Noceliet atvilktni no apakšējās vadotnes.
2. Ievietojiet atvilktni atpakaļ, novietojot to uz apakšējās vadotnes un stumjot to.

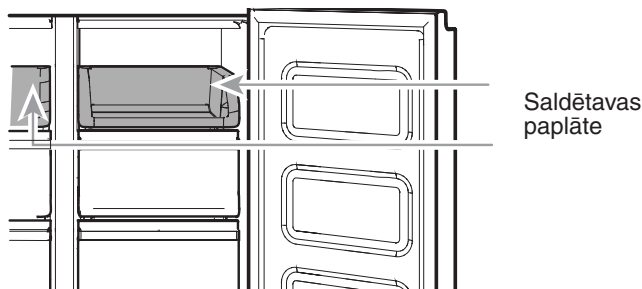
## Ledusskapja durvju plaukti

Ledusskapja durvju plaukti ir pielāgojami atbilstoši individuālām uzglabāšanas vajadzībām.



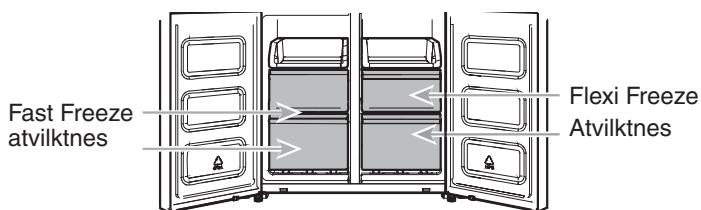
## Saldētavas nodaļumi

### Saldētavas paplāte



Saldētavas paplāte ir noderīga, lai ērti piekļūtu bieži izmantotiem produktiem, sasaldētu vai vienkārši uzglabātu pārpalikumus vai nelielus produktus.

### Saldētavas atvilktnes



### Fast Freeze nodaļums

- Fast Freeze atvilktnes ļauj ērti uzglabāt lielus produktus.
- Fast Freeze ļauj uzglabāt visus saldētus produktus drošā un pārskatāmā veidā.

### Flexi Freeze nodaļums (tikai modeļiem WQ9 B1L, 6WM591NIHAS un WQ70900SXX)

Flexi Freeze nodaļums ļauj izvēlēties vienu no saldētavas trīs temperatūras līmeņiem: -7 °C, -12 °C un -18 °C, lai dažāda veida produktiem nodrošinātu labākos uzglabāšanas apstākļus.

Lai maksimāli varētu izmantot saldētavas ietilpību, varat izņemt atvilktni, lai būtu redzams saldētavas plaukts.

### Lai izņemtu augšējo atvilktni:

- satveriet atvilktnes rokturi un velciet atvilktni uz āru, līdz tā vairs nekustas. Noceliet atvilktni no apakšējās vadotnes.
- ievietojiet atvilktni atpakaļ, novietojot to uz apakšējās vadotnes un stumjot to.

### Saldētavas plaukts (tikai modeļiem WQ9 E1L un WQ9 B1L)

Lai palielinātu saldētavas ietilpību, varat izņemt vidējo atvilktni, tādējādi atsedzot zem tās esošo saldētavas plauktu. Pēc tam varat saglabāt augšējo atvilktni un novietot produktus tieši uz plaukta.

## Skaņas signāli

### Signālu piešķiršana

Signāla nosaukums	Lietojuma piemēri
Ieslēgšana	Dzesēšanas sistēma tiek ieslēgta ikreiz, kad tiek ieslēgts izstrādājums.
Taustiņa nospiešana	Lietotājs nospiež derīgu pogu.
Nederīgs (kļūda)	Lietotājs vienlaicīgi nospiež vismaz divas derīgas pogas. Laika atskaites pārtraukums pogām, kuras tiek nospiestas un turētas.
Uzsākšana	Jebkura režīma aktivizēšanas apstiprinājums.
Pārtraukšana	Jebkura režīma deaktivizēšanas apstiprinājums.
Bridinājums	Atvērtu durvju brīdinājums.

Šī tabula ir paredzēta tikai ātrai uzziņai. Detalizētu informāciju skatiet atbilstošajās sadaļās. Ja ievērojat nekoncekvences, ņemiet vērā sadaļās norādīto informāciju.

## Piederumi

Lai pasūtītu piederumus, sazinieties ar izplatītāju, no kura iegādājāties ledusskapi.

## Palīdzība vai apkalpošana

Pirms vērsties pēc palīdzības vai sazināties ar apkalpošanas centru, lūdz, skatiet sadaļu Problēmu novēršana. Tādējādi, iespējams, ietaupīsiet naudu par izsaukumu. Ja joprojām ir nepieciešama palīdzība, izpildiet tālāk minētos norādījumus.

### Ja nepieciešamas rezerves daļas

Lai savā apkārtnē atrastu ražotāja rezerves daļas, sazinieties ar izplatītāju, no kura iegādājāties ledusskapi.

### Garantija

Lai iegūtu informāciju par garantiju, sazinieties ar izplatītāju, no kura iegādājāties ledusskapi.

### Glabājiet šo rokasgrāmatu un kvīti vienuviet turpmāki uziņai. Lai saņemtu garantijas pakalpojumus, jums ir jāuzrāda pirkuma apliecinājums vai uzstādīšanas datums.

Pierakstiet tālāk minēto informāciju par ierīci, lai palīdzētu saņemt palīdzību vai apkopi, ja tāda jebkad būs nepieciešama. Jums būs jāzina pilns modeļa numurs un sērijas numurs. Šo informāciju varat atrast modeļa un sērijas numura uzlīmē, kas atrodama uz ledusskapja nodaļuma iekšējās sienas.

Izplatītāja nosaukums \_\_\_\_\_  
Sērijas numurs \_\_\_\_\_  
Adrese \_\_\_\_\_  
Tālruna numurs \_\_\_\_\_  
Modeļa numurs \_\_\_\_\_  
Iegādes datums \_\_\_\_\_

# LEDUSSKAPJA APKOPE

## Tīrīšana

### BRĪDINĀJUMS



#### Sprādziena risks

Izmantojiet neuzliesmojošu tīrīšanas līdzekli.

Pretējā gadījumā var rasties sprādziens vai ugunsgrēks vai iestāties nāve.

Visi ledusskapja, saldētavas un Flexi freeze nodalījumi (tikai modeļiem WQ9 B1L, 6WM591NIHAS un WQ70900SXX) tiek atkausēti automātiski. Tomēr aptuveni reizi mēnesī notīriet visus nodalījumus, lai novērstu aro /To\_Logos/February 2018/ Refrigeration/W11211074/02\_Proof PM mātu uzkrāšanos. Nekavējoties saslaukiet izlietus šķidrums.

### Ārpuses tīrīšana

Lūdzu, skatiet savas ierīces modelim atbilstošu informāciju par ārpusē tīrīšanu.

#### 1. Stils — gludās durvis

**SVARĪGI!** Garantija nesedz gludās apdares bojājumus, kas radušies nepareizu tīrīšanas līdzekļu vai neieteicamo tīrīšanas līdzekļu izmantošanas rezultātā. Asi vai truli instrumenti sabojās apdari.

IZMANTOJIET	NEIZMANTOJIET
✓ Miksta, tīra drāna	✗ Abrazīva drāna ✗ Papīra dvieļi vai avīzes ✗ Tērauda sūkļi
✓ Silts ziepjūdens ar maigu tīrīšanas līdzekli	✗ Abrazīvi pulveri vai šķidrums ✗ Logu tīrīšanas līdzekļi ✗ Amonjaks ✗ Skābi vai etiķi saturoši tīrīšanas līdzekļi ✗ Cepeškrāsns tīrīšanas līdzekļi ✗ Uzliesmojoši šķidrums

**PIEZĪME.** Papīra dvieļi rada skrāpējumus un var padarīt durvju pārklājumu nespodru. Lai izvairītos no iespējamiem bojājumiem, durvju pulēšanai un slaucīšanai izmantojiet tikai mīkstu, tīru drānu.

#### 2. stils — nerūsējošais tērauds

##### SVARĪGI!

- Izmantojiet tikai ieteicamos nerūsējošā tērauda tīrīšanas līdzekļus un drānas. Garantija neattiecas uz nerūsējošā tērauda apdares bojājumiem, kas radušies nepareizu tīrīšanas līdzekļu vai neieteicamo tīrīšanas līdzekļu izmantošanas rezultātā.
- Nepakļaujiet nerūsējošā tērauda ierīces kodīgu elementu, piemēram, vides ar augstu sāls saturu vai augsta mitruma līmeni, iedarbībai. Garantija neattiecas uz bojājumiem, kas radušies, pakļaujot ierīci šādu elementu iedarbībai.

IZMANTOJIET	NEIZMANTOJIET
✓ Miksta, tīra drāna	✗ Abrazīva drāna ✗ Papīra dvieļi vai avīzes ✗ Tērauda sūkļi
✓ Silts ziepjūdens ar maigu tīrīšanas līdzekli	✗ Abrazīvi pulveri vai šķidrums ✗ Amonjaks ✗ Skābi tīrīšanas līdzekļi ✗ Skābi vai etiķi saturoši tīrīšanas līdzekļi ✗ Cepeškrāsns tīrīšanas līdzekļi
✓ Ja ierīce ir ļoti netīra, izmantojiet tikai tādu nerūsējošā tērauda tīrīšanas līdzekli, kas īpaši paredzēts ierīcēm. Lai pasūtītu tīrīšanas līdzekli, sazinieties ar izplatītāju, no kura iegādājāties ledusskapi.	✗ Nerūsējošā tērauda tīrīšanas līdzeklis ir paredzēts tikai nerūsējošā tērauda detaļām. Neļaujiet nerūsējošā tērauda tīrīšanas līdzeklim un pulēšanas līdzeklim nonākt saskarē ar jebkādam plastmasas detaļām, piemēram, apdares materiāliem, automātu pārsegumiem vai durvju blīvēm.

#### 3. stils — pret pirkstu nospiedumiem noturīgs nerūsējošais tērauds

##### SVARĪGI!

- Nepakļaujiet nerūsējošā tērauda ierīces kodīgu elementu, piemēram, vides ar augstu sāls saturu vai augsta mitruma līmeni, iedarbībai. Garantija neattiecas uz bojājumiem, kas radušies, pakļaujot ierīci šādu elementu iedarbībai.

IZMANTOJIET	NEIZMANTOJIET
✓ Miksta, tīra drāna	✗ Abrazīva drāna ✗ Papīra dvieļi vai avīzes ✗ Tērauda sūkļi
✓ Silts ziepjūdens ar maigu tīrīšanas līdzekli	✗ Abrazīvi pulveri vai šķidrums ✗ Logu tīrīšanas līdzekļi ✗ Amonjaks ✗ Skābi vai etiķi saturoši tīrīšanas līdzekļi ✗ Cepeškrāsns tīrīšanas līdzekļi ✗ Uzliesmojoši šķidrums

##### PIEZĪMES.

- Ja notiek nejauša saskare, notīriet plastmasas detaļu ar sūkli, maigu tīrīšanas līdzekli un ūdeni. Pilnībā nožāvējiet, izmantojot mīkstu drānu.
- Tas, ka tīrīšanas līdzeklis ir šķidrums, nenozīmē, ka tas nav abrazīvs. Daudzi šķidrīgie tīrīšanas līdzekļi, kas ir saudzīgi flīzēm un gludām virsmām, joprojām bojā nerūsējošā tērauda virsmas.
- Citronskābe neatgriezeniski bojā nerūsējošā tērauda virsmu krāsu.
- Lai izvairītos no nerūsējošā tērauda ledusskapja apdares bojāšanas, veiciet tālāk norādītās darbības.

##### Neatļaujiet tālāk minētajām vielām palikt uz apdares.

- |                           |   |
|---------------------------|---|
| ✗ Sinepes                 | ✗ Skābas mērces                                     |
| ✗ Tomātu sula             | ✗ Produkti, kuru sastāvā ir citrusaugļi/citronskābe |
| ✗ Marinara (tomātu) mērce |   |

## Iekšpuses tīrīšana

1. Atvienojiet ledusskapi vai izslēdziet strāvas padevi.
2. Rūpīgi nomazgājiet, noskalojiet un nožāvējiet izņemamās detaļas un iekšējās virsmas ar rokām. Izmantojiet tīru sūkli vai mikstu drānu un maigu tīrīšanas līdzekli ar ūdeni.

**PIEZĪME.** Plastmasas detaļu, iekšpuses un durvju apšuvuma vai blīvju tīrīšanai neizmantojiet abrazīvus vai koncentrētus tīrīšanas līdzekļus, piemēram, logu tīrīšanas līdzekļus, beršanas līdzekļus, uzliesmojošus šķidrums, tīrīšanas vasku, koncentrētus tīrīšanas līdzekļus, balinātājus vai tīrīšanas līdzekļus, kas satur naftas produktus.

3. Pievienojiet ledusskapi strāvas padevei.

## Kondensatora tīrīšana

Ši ledusskapja abas pusēs ir aprīkotas ar kondensatoru. Ja ledusskapja sāni ir silti, tas ir normāli.

## Apgaismojums

Apgaismojumam ledusskapja un saldētavas nodalījumos tiek izmantotas LED spuldzes, kuras nav jānomaina. Ja, atverot durvis, spuldzes netiek iedegtas, sazinieties ar izplatītāju, no kura iegādājāties ledusskapi.

## Apkope atvaļinājuma un pārvākšanās laikā

### Atvaļinājums

**Ja prombūtnes laikā izvēlaties ledusskapi atstāt ieslēgtu, veiciet tālāk norādītās darbības.**

1. Izlietojiet visus produktus, kas ātri bojājas, bet pārējos — sasaldējiet.
2. Ja ledusskapis ir aprīkots ar automātisko ledus gatavošanas ierīci un ir pieslēgts ūdens padevei, izslēdziet ūdens padevi ledusskapim. Ja ūdens padeve netiek izslēgta, var tikt bojāts ipašums.
3. Ja jums ir automātiskā ledus gatavošanas ierīce, izslēdziet to.
  - Nospiediet ledus gatavošanas ierīces slēdzi uz OFF (O).
4. Iztukšojiet ledus tvertni.

**Ja pirms došanās prom izvēlaties izslēgt ledusskapi:**

**PIEZĪME.** Kamēr esat atvaļinājumā, ledusskapim aktivizējiet demonstrācijas režīmu. Skatiet sadaļu Vadības elementu izmantošana.

1. Izņemiet visus produktus no ledusskapja.
2. Ja ledusskapis ir aprīkots ar automātisko ledus gatavošanas ierīci, veiciet tālāk norādītās darbības.
  - Izslēdziet ūdens padevi vismaz 1 dienu iepriekš.
  - Kad tiek izmesta pēdējā ledus deva, nospiediet slēdzi pozīcijā Off (O), lai displejs būtu izslēgts (ledusskapja iekšpusē; atkarībā no modeļa).
3. Iztukšojiet ledus tvertni.
4. Izslēdziet temperatūras vadības elementus. Skatiet sadaļu Vadības elementu izmantošana.
5. Iztīriet ledusskapi, rūpīgi noslaukiet un nožāvējiet to.
6. Abu durvju augšdaļā pielīmējiet gumijas vai koka klucīšus, lai durvis būtu atvērtas tik daudz, ka ledusskapi var iekļūt gaiss. Šādi tiek novērsta aromātu un pelējuma uzkrāšanās.

## Pārvietošana

Kad pārvietojat ledusskapi uz savu jauno dzīvesvietu, veiciet šīs darbības, lai sagatavotu to transportēšanai.

1. Ja ledusskapis ir aprīkots ar automātisko ledus gatavošanas ierīci, veiciet tālāk norādītās darbības.
  - Izslēdziet ūdens padevi vismaz 1 dienu iepriekš.
  - Atvienojiet ūdensvadu ledusskapja aizmugurē.
  - Kad tiek izmesta pēdējā ledus deva, nospiediet slēdzi pozīcijā Off (O) vai nu uz ledus gatavošanas ierīces vai vadības paneļa (atkarībā no modeļa).
2. Izņemiet visus pārtikas produktus no ledusskapja un iesaiņojiet visus saldētos produktus ar sauso ledu.
3. Iztukšojiet ledus tvertni.
4. Atvienojiet ledusskapi no strāvas.
5. Rūpīgi notīriet, noslaukiet un nožāvējiet to.
6. Izņemiet izņemamās detaļas, rūpīgi iesaiņojiet tās un salīmējiet kopā ar līmlenti, lai tās pārvietošanas laikā nepārvietotos un negrabētu.
7. Atkarībā no modeļa paceliet ledusskapja augšdaļu, lai tas vieglāk ripotu, vai paceliet līmeņošanas skrūves, lai tās nesaskrāpētu grīdu. Skatiet sadaļas "Durvju pielāgošana" vai "Ledusskapja līmeņošana un durvju aizvēršana".
8. Ar līmlenti aizlīmējiet durvis un pielīmējiet strāvas vadu ledusskapja aizmugurē.

Ierodoties jaunajā dzīvesvietā, novietojiet visu atpakaļ un skatiet sagatavošanas norādījumus sadaļā Uzstādīšanas norādījumi. Ja ledusskapis ir aprīkots ar automātisko ledus gatavošanas ierīci, neaizmirstiet atkārtoti pievienot tam ūdens padevi.

# PROBLĒMU NOVĒRŠANA

Lai izvairītos no servisa izsaukuma, vispirms izmēģiniet šeit ieteiktos risinājumus.

**⚠ BRĪDINĀJUMS**



**Elektriskās strāvas trieciena risks**

**Pievienojiet zemētai kontaktligzdai.**

**Nenoņemiet zemējuma zaru.**

**Neizmantojiet adapteri.**

**Neizmantojiet pagarinātāju.**

**Šo instrukciju neievērošanas gadījumā var tikt izraisīts elektrošoks, ugunsgrēks vai nāve.**

Ja radušās tālāk minētās problēmas	Iespējamie cēloņi	Risinājums
<b>Ledusskapja darbība</b>		
Ledusskapis nedarbojas	Pārbaudiet energoapgādi.	Pievienojiet strāvas vadu zemētai kontaktligzdai. Neizmantojiet pagarinātāju.
		Pārliedzinieties, ka kontaktligzdai tiek pievadīta elektrība. Pievienojiet lampu, lai pārbaudītu, vai kontaktligzda darbojas.
		Atiestatiet atslēgtu jaudas slēdzi. Nomainiet bojātos drošinātājus. <b>PIEZĪME.</b> Ja problēmas joprojām pastāv, sazinieties ar elektriķi.
	Pārbaudiet vadības elementus.	Pārliedzinieties, vai vadības elementi ir ieslēgti. Skatiet sadaļu Vadības elementu izmantošana.
	Tikko uzstādīts ledusskapis.	Lai ledusskapis pilnībā atdzistu, gaidiet 24 stundas. <b>PIEZĪME.</b> Mainot temperatūras iestatījumu uz aukstāko, neviens no ledusskapja nodalījumiem netiks atdzēsēts ātrāk.
	Ledusskapis ir demonstrācijas režīmā (dažiem modeļiem).	Ja ledusskapis ir demonstrācijas režīmā, dzesēšana ir izslēgta un vadības panelī ir redzama ikona Demo. Papildinformāciju skatiet sadaļā Vadības elementu izmantošana.
Šķiet, ka motors darbojas pārāk daudz.	Augstas efektivitātes kompresors un ventilatori.	Lielāki, efektīvāki ledusskapji darbojas ilgām mazāku ātrumu un lielāku energoefektivitāti.
	Telpā ir pārāk augsta temperatūra.	Normāli, ja šādos apstākļos ledusskapis darbojas ilgāk. Lai nodrošinātu optimālu darbību, novietojiet ledusskapi iekštelpās, kur iespējams kontrolēt temperatūru. Skatiet sadaļu Prasības attiecībā uz atrašanās vietu.
	Nesen pievienots liels silta ēdiena daudzums.	Silta ēdiena dēļ ledusskapis darbosies ilgāk, līdz gaiss tiks atdzēsēts līdz vēlamajai temperatūrai.
	Durvis tiek atvērtas pārāk bieži vai ir atvērtas pārāk ilgi.	Tā kā ledusskapī iekļūst silts gaiss, tas darbojas ilgāk. Retāk atveriet ledusskapja durvis.
	Ledusskapja durvis vai saldētavas atvilktnē ir atvērtas.	Pārliedzinieties, vai ledusskapis ir līmenī. Skatiet sadaļu "Ledusskapja līmeņošana un durvju aizvēršana". Nodrošiniet, ka pārtikas produkti un tvertnes nebloķē durvis.
	Ledusskapim ir iestatīta pārāk zema temperatūra.	Mainiet ledusskapja temperatūru uz nedaudz augstāku, līdz ir sasniegta ledusskapja vēlamā temperatūra.
	Durvju vai atvilktnu blīve ir netīra, nolietojusies vai saplaisājusi.	Notīriet vai nomainiet blīvi. Durvju izolācijas bojājumu dēļ ledusskapis darbosies ilgāk, lai tiktu uzturēta vēlamā temperatūra.

# PROBLĒMU NOVĒRŠANA

Lai izvairītos no servisa izsaukuma, vispirms izmēģiniet šeit ieteiktos risinājumus.

Ja radušās tālāk minētās problēmas	Iespējamie cēloņi	Risinājums
Apgaismojums nedarbojas.	Ledusskapis ir aprīkots ar LED spuldzi, kas nav jāmaina.	Ja ledusskapim tiek pievadīta strāva un apgaismojums netiek ieslēgts, kad tiek atvērtas durvis vai atvilktnē, sazinieties ar apkalpošanas vai palīdzības centru.
	Durvis ir atvērtas ilgāk nekā 10 minūtes.	Aizveriet durvis un atvilktni, lai atiestatītu, un atveriet, lai atsāktu apgaismošanu.
	Durvju slēdzis nekonstatē durvju atvēršanu.	Nodrošiniet, ka 7,62 cm (3 collu) attālumā no eņģes pārsega neatrodas magnēti vai elektroniskās ierīces.
Netiek ieslēgts temperatūras kontroles lietotāja interfeiss.	Temperatūras kontroles lietotāja interfeiss ir gaidstāves režīmā.	Nospiediet jebkuru lietotāja interfeisa pogu, lai aktivizētu temperatūras kontroles lietotāja interfeisu.
	Temperatūras kontroles lietotāja interfeisa pogas nedarbojas pareizi.	Mēģiniet izslēgt un atkārtoti ieslēgt ledusskapi, lai atiestatītu pogas. Ja problēma joprojām pastāv, sazinieties ar apkalpošanas vai palīdzības centru.
	Temperatūras kontroles lietotāja interfeisam netiek pievadīta strāva.	Pārbaudiet vadu bloku durvju eņģē.
Neizdodas mainīt temperatūras kontroles lietotāja interfeisa iestatījumu.	Tiek aktivizēts brīdinājums par atvērtām vai pavērtām durvīm.	Aizveriet durvis.
<b>Neparasts troksnis</b>		
Lai noklausītos, kādas ir normālas ledusskapja darbības skaņas, atveriet zīmola vietnes sadaļu "Palīdzība saistībā ar izstrādājumiem/ bieži uzdotie jautājumi" un meklējiet "normālas skaņas". Tālāk ir norādītas dažas normālas skaņas ar paskaidrojumiem.		
Šķiet, ka ledusskapis ir trokšņains.	Jūsu jaunā ledusskapja kompresors regulē temperatūru efektīvāk, izmantojot mazāk elektroenerģijas un darbojoties klusāk.	Darbības trokšņu samazinājuma dēļ, iespējams, novērosiet nepazīstamus trokšņus, kas ir normāli.
Kompresora skaņa ir ilgāka nekā parasti.	Augstas efektivitātes kompresors un ventilatori.	Lielāki, efektīvāki ledusskapji darbojas ilgām mazāku ātrumu un lielāku energoefektivitāti.
Pulsēšana/dūkšana	Normālas kompresora darbības laikā ventilatori/kompresors tiek pielāgoti, lai optimizētu darbību.	Tas ir normāli.
Paukšķēšana	Iekšējo sienu saraušanās/izplešanās, īpaši sākotnējās dzesēšanas laikā.	Tas ir normāli.
Šņākšana/pilēšana	Dzesēšanas aģenta vai eļļas plūsma kompresorā.	Tas ir normāli.
Vibrācija	Iespējams, ledusskapis nav stabils.	Pielāgojiet līmeņošanas skrūves un nolaidiet līmeņošanas balstu, līdz tas stabili tiek balstīts uz grīdas. Skatiet sadaļu "Ledusskapja līmeņošana un durvju aizvēršana".
Grabēšana/ribēšana	Ūdensvadu vai produktu, kas novietoti ledusskapja augšdaļā, pārvietošanās gar ledusskapja nodalījumu.	Pārvietojiet ūdensvada brīvo daļu prom no ledusskapja nodalījuma vai piestipriniet to ledusskapim. Skatiet sadaļu "Ūdens padeves pievienošana" vai noņemiet priekšmetus no ledusskapja augšdaļas.
Čurkstēšana	Atkausēšanas cikla laikā ūdens pil uz sildīšanas elementa.	Tas ir normāli.
Tekoša ūdens skaņa/burboļošana	Var būt dzirdama, kad atkausēšanas cikla laikā kūst ledus un ūdens plūst notekas tvertnē.	Tas ir normāli.

# PROBLĒMU NOVĒRŠANA

Lai izvairītos no servisa izsaukuma, vispirms izmēģiniet šeit ieteiktos risinājumus.

Ja radušās tālāk minētās problēmas	Iespējamie cēloņi	Risinājums
<b>Temperatūra un mitrums</b>		
Temperatūra ir pārāk augsta.	Ledusskapis ir tikko uzstādīts.	Lai ledusskapis pilnībā atdzistu, gaidiet 24 stundas.
	Iestatījumi neatbilst apkārtējās vides apstākļiem.	Iestatiet zemāku temperatūru. Pārbaudiet temperatūru pēc 24 stundām. Skatiet sadaļu Vadības elementu izmantošana.
	Durvis tiek bieži atvērtas vai nav pareizi aizvērtas. Tādējādi ledusskapī ieplūst silts gaiss.	Samaziniet durvju atvēršanas biežumu un kārtīgi aizveriet durvis.
	Nesen tika pievienots liels daudzums produktu.	Gaidiet vairākas stundas, līdz ledusskapī tiks atkal nodrošināta normāla temperatūra.
	Ir ieslēgts demonstrācijas režīms.	Izslēdziet demonstrācijas režīmu. Skatiet sadaļu Vadības elementu izmantošana.
	Ir ieslēgts atvaļinājuma režīms.	Izslēdziet atvaļinājuma režīmu. Skatiet sadaļu Vadības elementu izmantošana.
Ledusskapja/atvilktnes temperatūra ir pārāk zema.	Ledusskapja ventilēšanas atvere(-s) ir bloķētas.	Ja ventilēšanas atveri, kas atrodas ledusskapja nodalījuma aizmugurējā daļā pa vidu, bloķē tai priekšā novietoti produkti, ledusskapja temperatūra būs pārāk zema. Pārvietojiet produktus, lai ventilēšanas atvere(-s) netiktu bloķēta(-s).
	Iestatījumi neatbilst apkārtējās vides apstākļiem.	Iestatiet augstāku temperatūru. Pārbaudiet temperatūru pēc 24 stundām. Skatiet sadaļu Vadības elementu izmantošana.
	Ledus tvertne nav pareizi ievietota.	Skatiet sadaļu Ledus gatavošanas ierīce un ledus tvertne.
Atvilktnes temperatūra ir pārāk zema.	Nav iestatīta atvilktnē glabājamiem produktiem atbilstoša temperatūra.	Mainiet temperatūras iestatījumu. Skatiet sadaļas "Vadības elementu izmantošana" un "Ledusskapja lietošana".
Ledusskapja iekšpusē ir uzkrājies mitrums. <b>PIEZĪME.</b> Ja ledusskapī ir nedaudz mitruma, tas ir normāli.	Telpā ir augsts mitruma līmenis.	Mitra vide izraisa mitruma uzkrāšanos.
	Durvis tiek bieži atvērtas vai nav pareizi aizvērtas. Tādējādi ledusskapī ieplūst mitrs gaiss.	Samaziniet durvju atvēršanas biežumu un kārtīgi aizveriet durvis.
	Durvis ir bloķētas un atvērtas.	Pārvietojiet produktus no durvīm.
	Plaukts vai tvertne traucē aizvērt durvis.	Iestumiet plauktu vai tvertni atpakaļ pareizajā pozīcijā.
	Šķidrums tiek uzglabāti atvērtos traukos.	Šādi tiek palielināts mitruma līmenis ledusskapja iekšpusē. Glabājiet visus traukus cieši noslēgtus.
Saldētavas nodalījums ir apsarmojois/apledojois.	Durvis tika atvērtas pārāk bieži, vai tās bija atstātas vaļā.	Samaziniet durvju atvēršanas biežumu un pēc lietošanas kārtīgi aizveriet atvilktni.
	Durvīm ir slikta izolācija.	Nodrošiniet, ka durvju blīvējums pilnībā saskaras ar ledusskapja korpusu, garantējot atbilstošu izolāciju.
	Temperatūra nav pareizi iestatīta.	Ieteicamos temperatūras iestatījumus skatiet sadaļā Vadības elementu izmantošana.

# PROBLĒMU NOVĒRŠANA

Lai izvairītos no servisa izsaukuma, vispirms izmēģiniet šeit ieteiktos risinājumus.

 **BRĪDINĀJUMS**



**Sprādziena risks**  
**Izmantojiet neuzliesmojošu tīrīšanas līdzekli.**  
**Pretējā gadījumā var rasties sprādziens vai ugunsgrēks vai iestāties nāve.**

Lai skatītu animāciju, kurā parādīta durvju pielāgošana un līdzināšana, skatiet zīmola vietnes sadaļu Palīdzība saistībā ar izstrādājumu/ bieži uzdotie jautājumi un meklējiet "Durvju aizvēršana un izlīdzināšana".

Ja radušās tālāk minētās problēmas	Iespējamie cēloņi	Risinājums
<b>Durvis</b>		
Durvis netiek kārtīgi aizvērtas.	Durvis ir bloķētas un atvērtas.	Pārvietojiet produktus no durvīm.
	Plaukts vai tvertne traucē aizvērt durvis.	Iestumiet plauktu vai tvertni atpakaļ pareizajā pozīcijā.
	Nesen uzstādīts	Noņemiet visu iepakojuma materiālu.
Durvis ir grūti atvērt.	Durvju blīves ir netīras vai lipīgas.	Notīriet blīves un kontaktpusmas ar siltu, maigu ziepjūdeni. Noskalojiet un noslaukiet ar mīkstu drānu.
Durvis nav vienā līmenī.	Durvis ir jāizlīdzina, vai ledusskapis ir jālīmeņo.	Ja nepieciešams izlīdzināt durvis, lūdzu, sazinieties ar apkalpošanas centru.
Ledusskapis nav stabils, vai, atverot/aizverot durvis, tas ripo uz priekšu.	Ledusskapja bremzējošie balsti neatrodas stabili uz grīdas.	Pagrieziet abus bremzējošos balstus (katrā pusē viens) pretēji pulksteņrādītāju kustības virzienam vienādi daudz reižu, līdz tie stabili balstās pret grīdu. Skatiet sadaļu "Ledusskapja līmeņošana un durvju aizvēršana".



# Turinys

<b>SAUGUS ŠALDYTUVO NAUDOJIMAS</b> .....	<b>466</b>
Teisingas seno šaldytuvo išmetimas .....	469
<b>DALYS IR FUNKCIJOS</b> .....	<b>470</b>
<b>ĮRENGIMO INSTRUKCIJOS</b> .....	<b>471</b>
Naudojimosi pradžia .....	471
Išpakuokite šaldytuvą.....	471
Reikalavimai įrengimo vietai .....	472
Reikalavimai elektros įrangai .....	472
Šaldytuvo durelių nuėmimas ir keitimas .....	474
Šaldiklio / „Flexi Freeze“ durelių nuėmimas ir keitimas.....	476
Šaldytuvo lygiavimas.....	477
Valdiklių naudojimas.....	478
Šaldytuvo apšvietimas .....	479
<b>ŠALDYTUVO NAUDOJIMAS</b> .....	<b>480</b>
Durelių atidarymas ir uždarymas .....	480
Maisto produktų laikymas .....	480
<b>LENTYNOS, DĖŽĖS IR STALČIAI</b> .....	<b>481</b>
Šaldiklio skyriai.....	482
Garsiniai signalai.....	482
Priedai .....	482
Pagalba arba techninė priežiūra .....	482
<b>ŠALDYTUVO PRIEŽIŪRA</b> .....	<b>483</b>
Valymas.....	483
Apšvietimas.....	484
Priežiūra atostogų metu ir perkeliant .....	484
<b>TRIKČIŲ ŠALINIMAS</b> .....	<b>485</b>

# SAUGUS ŠALDYTUVO NAUDOJIMAS

## Jūsų ir kitų asmenų sauga labai svarbi.

Šiame vadove bei ant prietaiso pateikti svarbūs saugos pranešimai. Būtina perskaityti ir laikytis šių saugos pranešimų.



Tai yra perspėjimo dėl saugos simbolis.

Šis simbolis perspėja apie galimą pavojų, dėl kurio jūs ar kiti gali mirtinai susižaloti ar susižeisti.

Visi saugos pranešimai bus pateikiami su saugos simboliu kartu su žodžiu „PAVOJUS“ arba „ISPĖJIMAS“.

 **PAVOJUS**

Galite mirti arba sunkiai susižaloti, jei nedelsdami nesilaikysite instrukcijų.

 **ISPĖJIMAS**

Galite mirti arba sunkiai susižaloti, jei nesilaikysite instrukcijų.

Visuose saugos pranešimuose pateikiama informacijos apie galimą pavojų ir nurodoma, kaip sumažinti sužalojimo pavojų, kuris gali kilti nesilaikant instrukcijų.

## SAUGOS NURODYMAI

Prieš naudodami prietaisą, perskaitykite šiuos saugos nurodymus. Juos išsaugokite, kad galėtumėte peržiūrėti ateityje. Šioje instrukcijoje ir ant prietaiso pateikiami svarbūs saugos įspėjimai, kurių visuomet reikia paisyti. Gamintojas neprisiima atsakomybės už žalą, kilusią nesilaikant šių saugos nurodymų, netinkamai naudojant prietaisą ir neteisingai nustatius valdiklių nuostatas.

⚠ Neleiskite labai mažų vaikų (0–3 metų) arti prietaiso. Neleiskite mažų vaikų (3–8 metų) arti prietaiso, nebent juos visą laiką prižiūri suaugusysis. Vyresni nei 8 metai vaikai ir asmenys su psichine, jutimine ar protine negalia arba reikiamos patirties ir žinių neturintys asmenys šį prietaisą gali naudoti tik prižiūrint kitam asmeniui arba perskaitę saugaus naudojimo nurodymus ir supratę galimus pavojus. Neleiskite vaikams žaisti su prietaisu. Neleiskite prietaiso valyti ir prižiūrėti vaikams be suaugusiųjų priežiūros.

### TINKAMAS NAUDOJIMAS

⚠ **PERSPĖJIMAS.** Prietaisas nėra skirtas valdyti išoriniais valdymo prietaisais, pvz., laikmačiu arba atskira nuotolinio valdymo sistema.

⚠ Šis prietaisas skirtas naudoti buityje ir panašiais atvejais: parduotuvėse, biuruose ir kitose darbo patalpose, sodo nameliuose, viešbučių ir motelių kambariuose, svečių namuose ir kitose gyvenamosiose patalpose.

⚠ Šis prietaisas nėra skirtas profesionaliam naudojimui. Prietaiso nenaudokite lauke.

⚠ Prietaisas skirtas naudoti patalpose, kurių aplinkos temperatūra atitinka pagal duomenų lentelėje nurodytą klimato klasę nustatytas temperatūros ribas. Prietaisą ilgam laikui palikus ribas viršijančioje temperatūroje, jo veikimas gali sutrikti.

Klimato klasė, aplinkos temp. (°C)

SN: nuo 10 iki 32 °C;

N: nuo 16 iki 32 °C

ST: nuo 16 iki 38 °C;

T: nuo 16 iki 43 °C

⚠ Šiame prietaise nėra chlorofluoroangliavandenių (CFC). Šaltnešio grandinėje naudojamo šaldymo skysčio sudėtyje yra R600a (HC). Prietaisai su izobutanu (R600a): izobutanas yra aplinkai nekenkiančios gamtinės dujos, tačiau jos yra degios. Todėl užtikrinkite, kad šaltnešio grandinės vamzdžiai nebūtų pažeisti. Elkitės ypač atsargiai ištuštinami šaltnešio grandinę.

⚠ **ĮSPĖJIMAS.** Nepažeiskite prietaiso šaltnešio grandinės vamzdžių.

⚠ **ĮSPĖJIMAS.** Šalia prietaiso arba montuodami į baldus palikite vietas, kad nebūtų blokuojamos vėdinimo angos.

## NURODYMAI, KURIUOS SVARBU PERSKAITYTI IR JŲ LAIKYTI

⚠ **ĮSPĖJIMAS.** Naudokite tik gamintojo rekomenduojamas mechanines, elektrines ar chemines priemones atitirpinimui paspartinti.

⚠ **ĮSPĖJIMAS.** Prietaiso skyriuose nenaudokite ir nedėkite elektrinių prietaisų, nebent juos rekomenduotų gamintojas.

⚠ **ĮSPĖJIMAS.** Ledo gaminimo ir vandens išdavimo įtaisai, tiesiogiai nesujungti su vandens tiekimu, turėtų būti pripildyti tik geriamojo vandens.

⚠ **ĮSPĖJIMAS.** Ledų ir (arba) vandens automatai turi būti prijungti prie vandens linijos, per kurią tiekiamas tik geriamasis vanduo, o vandens slėgis yra nuo 0,17 iki 0,81 MPa (1,7 ir 8,1 bar).

⚠ Prietaise nelaikykite sprogiųjų medžiagų, pvz., aerozolių balionėlių su degiosiomis dujomis.

⚠ Nenurykite šaldymo maišelių (pateikiamų su kai kuriais šaldytuvų modeliais) turinio (netoksiškas). Nevalgykite ledų kubelių ar kitų ledų formų iškart išėmę jas iš šaldymo kameros, nes jie gali sukelti kūno dalių nušalimus.

⚠ Gaminiuose, kuriuose naudojamas po ventiliatoriaus gaubtu dedamas oro filtras, veikiant šaldytuvui filtras visuomet turi būti vietoje.

⚠ Šaldymo kameroje nelaikykite stiklinių talpų su skysčiais, nes jos gali skilti. Neužstatykite ventiliatoriaus (jei yra) maisto produktais. Įdėję maistą patikrinkite, ar tinkamai uždarėte skyriaus duris, ypač šaldymo kameros.

⚠ Pažeisti tarpikliai turėtų būti pakeisti kiek įmanoma greičiau.

⚠ Šaldytuvą naudokite tik šviežiam maistui laikyti. Šaldymo kamera skirta tik šaldytam maistui laikyti, šviežiam maistui šaldyti ir ledo kubeliams daryti.

⚠ Nedėkite nesuvynioto maisto tiesiai ant vidinių šaldytuvo ar šaldymo kameros paviršių. Prietaisuose gali būti specialūs maisto laikymo skyreliai (šviežio maisto laikymo skyrius, nulio laipsnių temperatūros dėžė ir pan.). Jeigu kitaip nenurodyta specialiaame prietaiso lankstinuke, juos galima išimti nepakintant šaldytuvo našumui.

### ĮRENGIMAS

⚠ Prietaisą perkelti ir įrengti turi du ar daugiau žmonių. Priešingu atveju galima susižaloti. Mūvėkite apsaugines pirštines išpakuodami ir įrengdami prietaisą, nes kitaip galite įsipjauti.

⚠ Įrengimo, įskaitant vandens tiekimo (jei yra) prijungimą ir elektrinių jungčių sujungimą, ir remonto darbus turi atlikti kvalifikuotas technikas. Neremontuokite ir nekeiskite jokių prietaiso dalių, išskyrus, kai tai nurodyta naudotojo vadove. Neleiskite vaikams būti šalia prietaiso įrengimo vietos.

Išpakavę prietaisą įsitikinkite, kad jis nebuvo pažeistas transportuojant. Aptikę neatitikimų kreipkitės į platintoją arba artimiausią techninės priežiūros po pardavimo tarnybą. Įrengę prietaisą, pakuotės atliekas (plastiką, polistirolą ir pan.) laikykite atokiai nuo vaikų, nes jie gali įlįsti ir uždusti. Prieš vykdant bet kokius įrengimo darbus, prietaisą būtina atjungti nuo elektros tinklo. Priešingu atveju gali išstikti elektros smūgis. Pasirūpinkite, kad įrengiant prietaisą nepažeistų maitinimo laidu. Priešingu atveju gali kilti gaisras ar išstikti elektros smūgis. Prietaisą įjunkite tik baigę jo įrengimo darbus.

⚠ Būkite atsargūs, kad perkeldami prietaisą nesugadintumėte grindų (pvz., parketo). Prietaisą įrenkite ant grindų ar pagrindo, kuris yra pakankamai tvirtas, kad išlaikytų prietaiso svorį ir būtų tinkamas atsižvelgiant į prietaiso dydį ir naudojimo paskirtį. Įrengdami prietaisą užtikrinkite, kad jis nebūtų šalia šilumos šaltinio ir visos keturios jo kojelės tvirtai remtųsi į grindis (jei ne, sureguliuokite jas). Taip pat patikrinkite, ar prietaisas pastatytas lygiai (naudokitės gulsčiuuku). Prieš įjungdami prietaisą, palaukite dvi valandas – taip užtikrinsite, kad šaltnešio grandinė bus optimalios būklės.

⚠ Siekiant užtikrinti tinkamą vėdinimą, prietaiso šonuose ir viršuje reikia palikti tarpus. Atstumas nuo prietaiso galinės dalies iki priešais prietaisą esančios sienos turi būti bent 50 mm, kad būtų išvengiama sąlyčio su karštais paviršiais. Jei šis atstumas bus mažesnis, padidės prietaiso energijos sąnaudos.

⚠ ĮSPĖJIMAS. Siekdami išvengti pavojaus, kylančio dėl prietaiso nestabilumo, prietaisą statykite ir įrenkite vadovaudamiesi gamintojo instrukcijomis. Draudžiama šaldytuvą statyti tokiu būdu, kad jo galinė sienelė (kondensatoriaus vamzdynas) liestųsi su metaliniu dujinės viryklės vamzdeliu, metaliniais dujų arba vandens vamzdžiais ar elektriniais laidais.

⚠ Jei būtina keisti šaldytuvo dureles, kreipkitės į techninės pagalbos centrą.

### **SU ELEKTRA SUSIJĘ ĮSPĖJIMAI**

⚠ Turi būti galimybė prietaisą atjungti nuo maitinimo tinklo ištraukiant maitinimo kištuką arba naudojant priešais kištukinį lizdą pagal elektros instaliacijos taisykles sumontuotą kelių polių jungiklį. Prietaisas taip pat turi būti įžemintas vadovaujantis nacionaliniais elektros saugos standartais.

⚠ Nenaudokite ilgintuvų, kelių vietų kištukinių lizdų arba adapterių. Įrengus prietaisą elektriniai komponentai turi būti neprieinami. Nenaudokite prietaiso kai esate šlapi arba basi. Nenaudokite prietaiso, jei pažeistas jo maitinimo laidas ar kištukas, jei prietaisas veikia netinkamai arba buvo sugadintas ar numestas.

⚠ Jei maitinimo laidas pažeistas, jį reikia pakeisti identišku nauju gamintojo rekomenduojamu laidu. Maitinimo laidą pakeisti turi tik kvalifikuotas specialistas, kad būtų išvengta elektros smūgio pavojaus.

⚠ ĮSPĖJIMAS. Statydami prietaisą užtikrinkite, kad maitinimo laidas nebūtų įstrigęs ar pažeistas.

⚠ ĮSPĖJIMAS. Prietaiso gale nedėkite nešiojamų kištukinių lizdų arba nešiojamųjų maitinimo šaltinių.

### **VALYMAS IR PRIEŽIŪRA**

⚠ ĮSPĖJIMAS. Prieš atlikdami bet kokius priežiūros darbus, įsitikinkite, kad prietaisas atjungtas nuo maitinimo tinklo. Niekada nenaudokite valymo garais įrangos, nes gali išstikti elektros smūgis.

⚠ Ant plastikinių dalių, vidaus ir durelių įdėklų ar tarpiklių nenaudokite abrazyvinių arba esdinančių valiklių, pvz., purškiamųjų langų valiklių, šveičiamųjų valiklių, degių skysčių, valymo vaškų, koncentruotų dezinfekavimo priemonių, baliklių arba valiklių, kurių sudėtyje yra naftos produktų. Nenaudokite popierinių rankšluosčių, šveitimo kempinėlių arba kitų aštrių valymo įrankių.

### **PAKUOTĖS ATLIEKŲ ŠALINIMAS**

Pakavimo medžiagos yra 100 % perdirbamos ir pažymėtos perdirbimo simboliu ♻.

Todėl įvairias pakuotės dalis reikia šalinti atsakingai ir griežtai laikantis vietos institucijų taisyklių, reglamentuojančių atliekų tvarkymą.

### **BUITINĖS TECHNIKOS ŠALINIMAS**

Šis prietaisas pagamintas naudojant perdirbamas arba pakartotinai naudojamas medžiagas. Prietaisą išmeskite paisydami vietos atliekų šalinimo reglamentų. Dėl išsamesnės informacijos apie buitinių elektros prietaisų apdorojimą, utilizavimą ir perdirbimą kreipkitės į kompetentingą vietos instituciją, buitinių atliekų surinkimo tarnybą arba parduotuvę, kurioje pirkote prietaisą. Šis prietaisas paženklintas pagal Europos direktyvos Nr. 2012/19/EB dėl elektros elektronikos įrangos atliekų (EE[A]) reikalavimus. Tinkamai utilizuodami šį gaminį padėsite išvengti neigiamo poveikio aplinkai ir žmonių sveikatai.

Ant prietaiso arba pridedamų dokumentų esantis ⚠ simbolis nurodo, kad su šiuo prietaisu negalima elgtis kaip su buitinėmis atliekomis ir jį reikia pristatyti į atitinkamus elektrinę arba elektroninę įrangą perdirbančius atliekų surinkimo centrus.

### **ENERGIJOS TAUPYMO PATARIMAI**

Prietaisą įrenkite sausoje, gerai vėdinamoje patalpoje, toli nuo bet kokio šilumos šaltinio (pvz., radiatoriaus, viryklės ir t. t.), taip pat tokioje vietoje, kur prietaiso neveikia tiesioginiai saulės spinduliai. Jei reikia, naudokite izoliacinę plokštę.

Siekiant užtikrinti tinkamą vėdinimą, vadovaukitės įrengimo instrukcijomis. Nepakankamas vėdinimas prietaiso galinėje dalyje padidina energijos sąnaudas ir sumažina šaldymo efektyvumą.

Dažnas šaldytuvo durelių atidarinėjimas gali padidinti energijos sąnaudas. Vidinę prietaiso temperatūrą ir energijos sąnaudas taip pat gali veikti aplinkos temperatūra ir prietaiso vieta. Temperatūrą nustatykite atsižvelgdami į šiuos veiksnius.

Kuo rečiau atidarinėkite dureles.

Atitirpindami užšalusį maistą, laikykite jį šaldytuve. Dėl žemos šaldytuvų produktų temperatūros atšąla šaldytuve esantis maistas. Prieš dėdami į šaldytuvą šiltą maistą ar gėrimus, leiskite jiems atvėsti.

Šaldytuvo lentynėlių išdėstymas neturi jokios įtakos efektyviam energijos suvartojimui. Maistas ant lentynėlių turėtų būti dedamas taip, kad būtų užtikrinta tinkama oro cirkuliacija (maistas neturėtų liestis tarpusavyje ir tarp maisto produktų bei galinės sienos turi būti išlaikytas atstumas).

Galite padidinti šaldyto maisto laikymo erdvę išėmę krepšius ir, jei yra, „Stop Frost“ lentyną.

Nesijaudinkite dėl iš kompresoriaus sklindančio triukšmo – tai yra įprastas triukšmas, aprašytas Trumpame gaminio vadove.



## Teisingas seno šaldytuvo išmetimas

### ⚠ ĮSPĖJIMAS

#### Pavojus uždusti

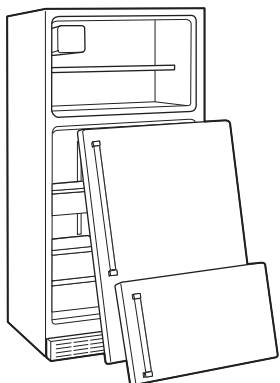
Išimkite seno šaldytuvo duris.

To nepaisant galima mirti arba gali būti pažeistos smegenys.

**DĖMESIO.** Vaikų įstrigimas daiktuose ir uždusimas vis dar yra šių dienų problema. Išmesti ir neprižiūrimi šaldytuvai vis dar yra pavojingi, net jei jie paliekami tik kelioms dienoms. Jei ruošiatės išmesti savo seną šaldytuvą, vadovaukitės šiomis instrukcijomis, kurios padės išvengti nelaimingų atsitikimų.

#### Prieš išmesdami seną šaldytuvą ar šaldiklį:

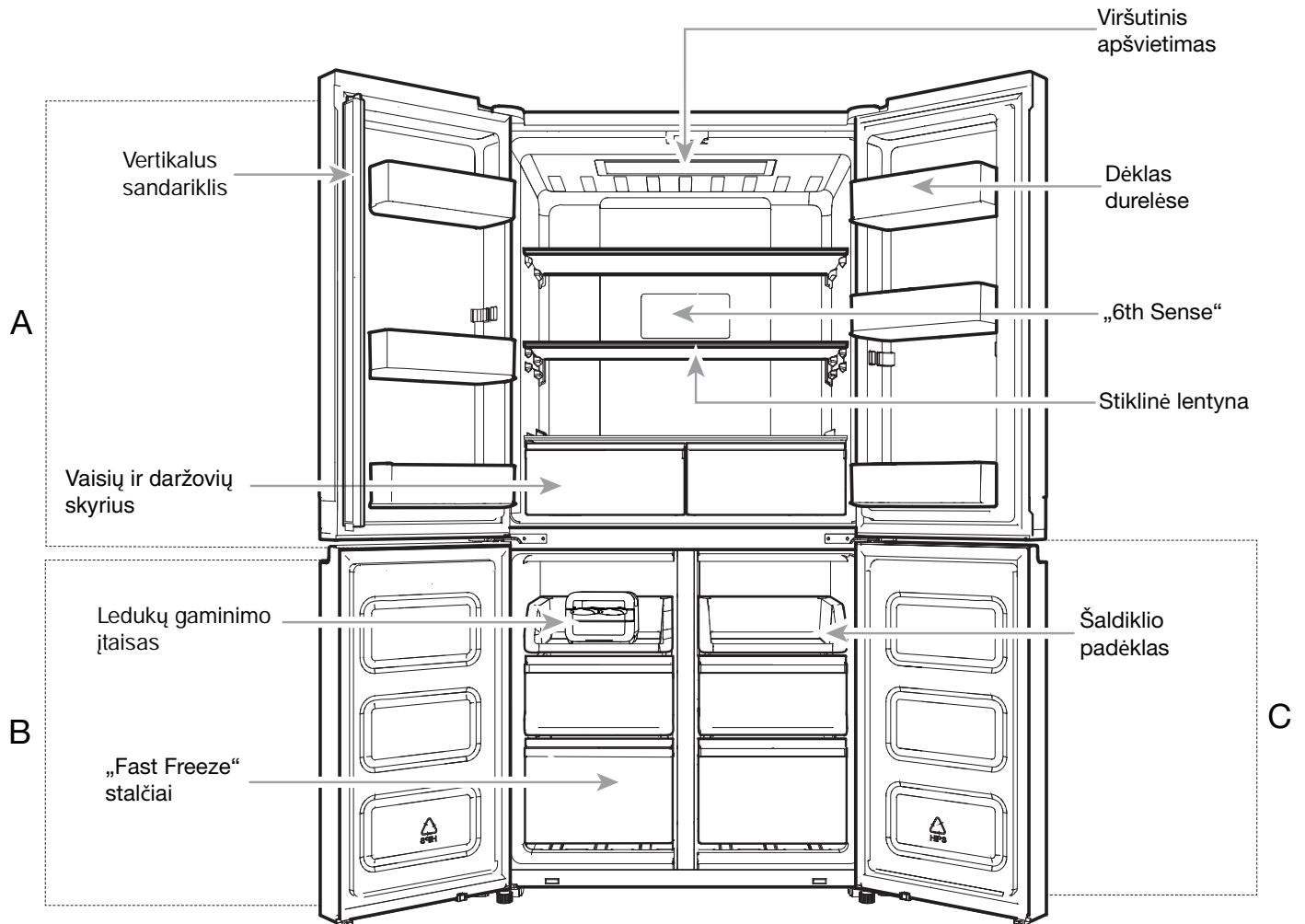
- išimkite dureles.
- Palikite lentynas, kad vaikai negalėtų lengvai įlįsti į šaldytuvo vidų.



#### Svarbi informacija, kurią reikia žinoti apie šaltnešio šalinimą:

šaldytuvą išmeskite paisydami vietos atliekų šalinimo reglamentų. Šaltnešius turi šalinti įgaliotasis šaldytuvų technikas, vadovaudamasis nustatytais procedūromis.

# DALYS IR FUNKCIJOS




# ĮRENGIMO INSTRUKCIJOS

## Naudojimosi pradžia ĮRENGIMO VEIKSMŲ SĄRAŠAS

### ✓ Elektros energija

**⚠ ĮSPĖJIMAS**



**Elektros smūgio pavojus**

Šaldytuvą prijunkite prie įžeminto kištukinio lizdo.

Nenuimkite įžeminimo kištuko.

Nenaudokite adapterio.

Nenaudokite ilgintuvo.

Nesilaikant šių instrukcijų galima mirti, kilti gaisras arba ištikti elektros smūgis.

- Šaldytuvą prijunkite prie įžeminto kištukinio lizdo.

### ✓ Durelės

- Jei įrengiant reikia išimti dureles, žr. sk. „Šaldytuvo durelių išėmimas ir keitimas“ ir „Šaldiklio durelių išėmimas ir keitimas“.
- Patikrinkite, ar durelės yra tinkamai užsandarinamos.
- Patikrinkite, ar šaldytuvai stovi lygiai. Sureguliuokite šaldytuvo kojeles, kad jos tvirtai remtųsi į grindis.
- Patikrinkite, ar viršuje durelės yra lygios. (Jei reikia naudokite durelių lygiavimo funkciją).

### ✓ Galutinės patikros

- Nuimkite visas šaldytuvo pristatymui naudojamas medžiagas.
- Nustatykite rekomenduojamas temperatūros valdiklių nuostatas.
- Išsaugokite instrukcijas ir kitą literatūrą.
- Norėdami gauti daugiau pagalbos, užregistruokite prietaisą adresu [www.whirlpool.eu/register](http://www.whirlpool.eu/register).

## Išpakuokite šaldytuvą

### ⚠ ĮSPĖJIMAS

Pavojus, kylantis dėl per didelio svorio

Prietaisą perkelti ir įrengti turi du ar daugiau žmonių."

To nepaisant galima susižaloti nugarą arba patirti kitokių sužalojimų.

### Šaldytuvo pristatymas

Rekomenduojamas minimalus durelių atidarymo atstumas yra 838 mm (33 col.). Jei durelių atidarymo atstumas yra 914 mm (36 col.) arba mažesnis, reikia išimti dureles, stalčių ir vyrius.

Šaldytuvą (nepriklausomai nuo durelių atidarymo būdo) kelkite paimdami iš šono.

### Perkeliant šaldytuvą:

Šaldytuvai yra sunkūs. Prieš perkeldami šaldytuvą norėdami jį išvalyti arba atlikti priežiūros darbus, grindis uždenkite kartonu arba medienos plaušų plokštėmis, kad jų nesugadintumėte. Perkeldami šaldytuvą jį visada stumkite tiesiai. Norėdami perkelti šaldytuvą jo nesukiokite ir nekilkokite, nes galite sugadinti grindis.

### Nuimkite pakavimo medžiagas

- Prieš įjungdami šaldytuvą nuo jo paviršiaus nuimkite lipnios juostos ir klijų likučius. Klijus patrinkite nedideliu indų ploviklio kiekiu sudrėkintais pirštais. Nuvalykite šiltu vandeniu ir išdžiovinkite.
- Lipnios juostos ar klijų likučių nešalinkite naudodami aštirus daiktus, netrinkite alkoholiu arba degiais skysčiais ir abrazyviniais valikliais. Šios priemonės gali pažeisti jūsų šaldytuvo paviršių.
- Išmeskite arba perdirbkite visas pakavimo medžiagas.

### Prieš naudodami šaldytuvą jį išvalykite

Nuėmę visas pakavimo medžiagas, prieš naudodami šaldytuvą išvalykite jo vidų. Žr. sk. „Šaldytuvo priežiūra“ pateiktas valymo instrukcijas.

### Svarbi informacija, kurią reikia žinoti apie stiklines lentynas ir dangčius:

Šaltų stiklinių lentynų ir dangčių nevalykite šiltu vandeniu. Veikiant staigiems temperatūrų pokyčiams arba esant smūgiams, pvz., trinktelėjus, lentynos ir dangčiai gali suskilti. Grūdintas stiklas suskyla į daug mažų, akmenuko dydžio dalių. Tai yra normalu. Stiklinės lentynos ir dangčiai yra sunkūs. Juos imkite abiem rankomis, kad nenumestumėte.

## Reikalavimai įrengimo vietai

### ⚠️ ĮSPĖJIMAS



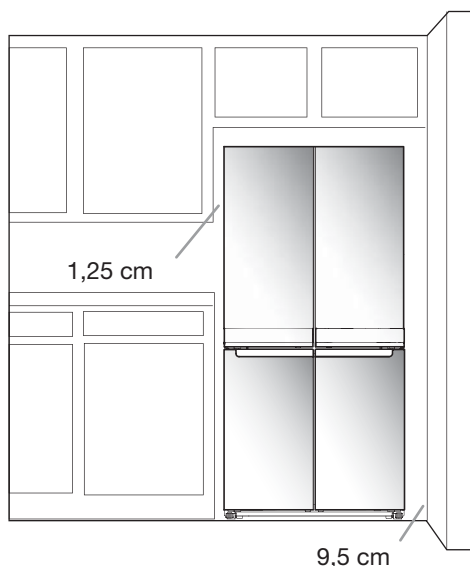
#### Sprogimo pavojus

Degias medžiagas ir garus, pvz., benzimą, laikykite atokiau nuo šaldytuvo.

To nepaisant galima mirti, įvykti sproginimas arba kilti gaisras.

Norėdami užtikrinti tinkamą savo šaldytuvo vėdinimą, jo šonuose ir viršuje palikite 1,25 cm tarpus. Už šaldytuvo palikite 5 cm tarpą. Jei šaldytuve yra ledo gaminimo įtaisas, gale palikite papildomos vietos vandens linijos jungtims. Įrengdami šaldytuvą šalia sienos, palikite bent 9,5 cm atstumą tarp šaldytuvo ir sienos, kad durelės laisvai atsidarytų.

**PASTABA.** Šaldytuvas skirtas naudoti vietose, kuriose temperatūra yra nuo 10 iki 43 °C. Šaldytuvą rekomenduojama naudoti nuo 15 iki 32 °C temperatūros patalpose, nes taip pasiekiamas optimalus prietaiso veikimas, sumažėja elektros sąnaudos ir užtikrinamas geras aušinimas. Šaldytuvo nerekomenduojama įrengti šalia šilumos šaltinių, pvz., orkaitės ar radiatoriaus.



## Reikalavimai elektros įrangai

### ⚠️ ĮSPĖJIMAS



#### Elektros smūgio pavojus

Šaldytuvą prijunkite prie įžeminto kištukinio lizdo.

Nenuimkite įžeminimo kištuko.

Nenaudokite adapterio.

Nenaudokite ilgintuvo.

Nesilaikant šių instrukcijų galima mirti, kilti gaisras arba ištikti elektros smūgis.

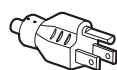
**DĖMESIO.** Įrengimo ir elektros darbus turi atlikti kvalifikuotas technikas, vadovaudamasis gamintojo instrukcijomis ir vietos saugos taisyklėmis.

- Šaldytuvas skirtas naudoti prijungtas prie atskiros 220–240 voltų 10 A, 50/60 Hz elektros grandinės.
- Įsitinkite, kad duomenų lentelėje nurodyta įtampa atitinka jūsų namuose naudojamą įtampą.
- Turi būti galimybė prietaisą atjungti nuo maitinimo tinklo ištraukiant maitinimo kištuką arba naudojant priešais kištukinį lizdą sumontuotą pagrindinį dviejų polių jungiklį.
- Jei maitinimo laidas pažeistas, jį turi pakeisti gamintojas, gamintojo techninės priežiūros specialistas arba kvalifikuotas specialistas, kad būtų išvengta pavojaus.

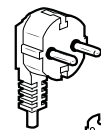
Prieš šaldytuvą perkeliant į nuolatinę jo laikymo vietą svarbu įsitikinti, kad yra įrengtos tinkamos elektros jungtys:

#### Rekomenduojamas įžeminimo būdas

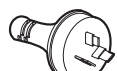
Turi būti 220–240 voltų 50 Hz, 220 voltų 60 Hz arba 230 / 240 voltų 50 Hz AC ir tik 10 A elektros tiekimas su saugikliais ir įžeminimu.



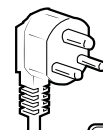
B tipo



E ir F tipo



I tipo



M tipo



G tipo

#### Australijoje ir Naujojoje Zelandijoje:

Jūsų naujasis prietaisas specialiai pagamintas, kad atitiktų Australijoje taikomus standartus ir naudojimo sąlygas.

Kai kuriose įrengimo instrukcijoje pateiktose pastabose gali būti nuorodos į kitose šalyse taikomus elektros įrangos reikalavimus

Prietaisą reikia prijungti prie 230 / 240 voltų 50 Hz AC tik 10 A įžeminto elektros lizdo.



## Reikalavimai elektros įrangai (tik Didžioji Britanija ir Airija)

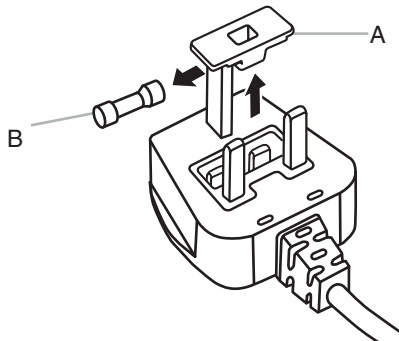
**DĖMESIO.** Šaldytuvas turi būti įžemintas.

### Saugiklio keitimas

Jei šio šaldytuvo maitinimo laidas sumontuotas su prijungtu BS1363A 13 A kištuku su saugikliu, šio tipo kištuko saugikliui keisti naudokite A.S.T.A. patvirtintą BS 1362 tipo saugiklį:

1. Nuimkite saugiklio dangtelį (A) ir ištraukite saugiklį (B).
2. Į saugiklio dangtelį įkiškite 13 A saugiklį.
3. Saugiklį ir jo dangtelį įdėkite į kištuką.

**DĖMESIO.** Saugiklio dangtelį reikia vėl uždėti pakeitus saugiklį. Pametus saugiklio dangtelį, kištuko negalima naudoti, iki kol bus uždėtas tinkamas naujas dangtelis. Tinkamas dangtelis parenkamas pagal spalvą arba spalvotus žodžius ant pagrindinio kištuko. Saugiklių dangtelius galima įsigyti vietos elektros prekių parduotuvėje.



A. Saugiklio dangtelis  
B. Saugiklis

### Airijos Respublikoje (tik):

Dėl naudojimo Dž. Britanijoje pateikta informacija bus dažnai taikoma, bet trečiojo tipo kištukas ir lizdas (2 kontaktų, šoninio įžeminimo) taip pat naudojami.

### Kištukinis lizdas ir kištukas (galioja abiem šalims):

Jei pateiktas kištukas netinka elektros lizdai, susisiekite su Aptarnavimo po įsigijimo tarnyba dėl išsamesnės informacijos. Nemėginkite pakeisti kištuko patys. Šią procedūrą atlikti turi kvalifikuotas specialistas, vadovaudamasis gamintojo instrukcijomis ir galiojančiais standartiniais saugos nurodymais.

### Temperatūra

Šaldytuvas skirtas naudoti patalpose, kurių temperatūra atitinka pagal duomenų lentelėje pateiktą klimato klasę nustatytas temperatūros ribas. Šaldytuvą ilgą laiką palikus ribas viršijančioje temperatūroje, jo veikimas gali sutrikti.

**PASTABA.** Šaldytuvo nerekomenduojama įrengti šalia šilumos šaltinių, pvz., orkaitės ar radiatoriaus.

Klimato klasė	Aplinkos temp. (°C)	Aplinkos temp. (°F)
SN	Nuo 10 iki 32	Nuo 50 iki 90
N	Nuo 16 iki 32	Nuo 61 iki 90
ST	Nuo 16 iki 38	Nuo 61 iki 100
T	Nuo 16 iki 43	Nuo 61 iki 110

## Šaldytuvo durelių nuėmimas ir keitimas

**PASTABA.** Išmatuokite durelių plotį, kad sužinotumėte, ar norint šaldytuvą pargabenti į namus reikės nuimti šaldytuvo dureles. Jei būtina nuimti dureles, žr. toliau pateiktas instrukcijas.

**DĖMESIO.** Jei šaldytuvą jau buvo įrengtas ir norite jį išgabenti iš namų, prieš nuimdami dureles išjunkite šaldytuvo valdymo funkciją. Šaldytuvą atjunkite nuo maitinimo tinklo arba atjunkite elektros tiekimą. Iš durelių išimkite maistą, reguliuojamas dureles arba maisto produktų laikymo dėžes.

Prieš nuimdami dureles pasiruoškite reikiamus įrankius ir perskaitykite instrukcijas.

**REIKIAMI ĮRANKIAI:** 6 mm galinis raktas, 5 mm galinis raktas ir „Phillips“ atsuktuvus Nr. 2.



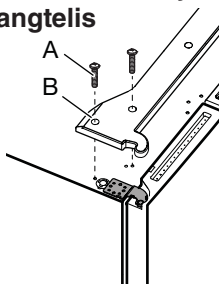
### ⚠️ ĮSPĖJIMAS

Elektros smūgio pavojus

Prieš nuimdami šaldytuvo dureles atjunkite maitinimą.

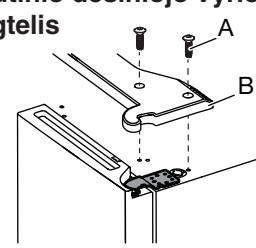
To nepaisant galima mirti ar ištikti elektros smūgis.

#### Viršutinio kairiojo vryio dangtelis



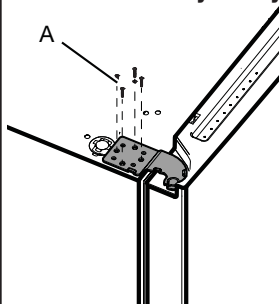
A. Viršutinio vryio dangtelio varžtai  
B. Viršutinio vryio dangtelis

#### Viršutinio dešiniojo vryio dangtelis



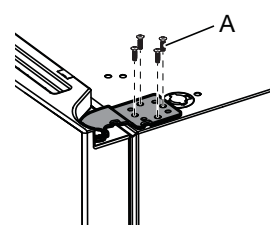
A. Viršutinio vryio dangtelio varžtai  
B. Viršutinio vryio dangtelis

#### Viršutinis kairysis vryis



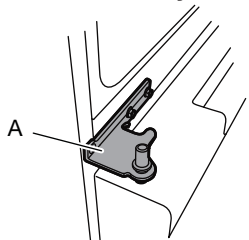
A. 5 mm varžtai

#### Viršutinis dešinysis vryis



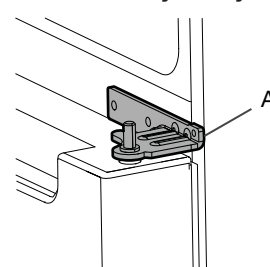
A. 5 mm varžtai

#### Vidurinis kairysis vryis



A. Vryis

#### Vidurinis dešinysis vryis



A. Vryis

## ⚠ ĮSPĖJIMAS

Pavojus, kylantis dėl per didelio svorio

Prietaisą perkelti ir įrengti turi du ar daugiau žmonių.

To nepaisant galima susižaloti nugarą arba patirti kitokių sužalojimų.

### Šaldytuvo durelių nuėmimas

## ⚠ ĮSPĖJIMAS



Elektros smūgio pavojus

Prieš nuimdami šaldytuvo dureles atjunkite maitinimą.

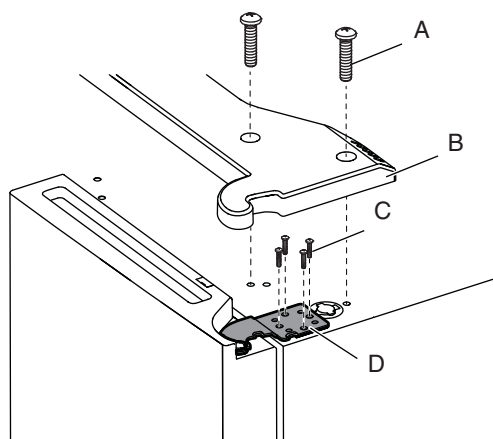
To nepaisant galima mirti ar ištikti elektros smūgis.

### Dešiniųjų šaldytuvo durelių nuėmimas

1. Šaldytuvą atjunkite nuo maitinimo tinklo arba atjunkite elektros tiekimą.
2. Šaldytuvo dureles laikykite uždarytas, iki kol būsite pasirengę jas nuimti.

**PASTABA.** Išėmę vyrus naudokite papildomą atramą šaldytuvo durelėms paremti. Dirbdami durelėms laikyti nepasikliaukite tik durelių tarpiklio magnetais.

3. Naudojami „Phillips“ atsuktuvą nuimkite viršutinio vyro dangtelį.
4. Naudojami 5 mm galinį raktą atsukite keturis viršutinio vyro varžtus ir juos padėkite atskirai.



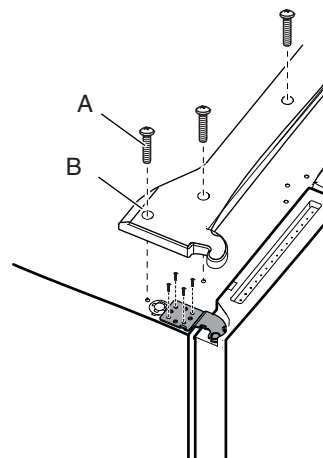
- A. Viršutinio vyro dangtelio varžtai      C. 5 mm varžtai  
B. Viršutinio vyro dangtelis      D. Viršutinis vyris

5. Nukelkite šaldytuvo dureles nuo vidurinio vyro kaiščio. Viršutinis vyris nusiims kartu su durelėmis.

### Kairiųjų šaldytuvo durelių nuėmimas

**DĖMESIO.** Per kairiųjų durelių vyrį yra nutiesti naudotojo sąsajos laidai, todėl prieš nuimant dureles juos reikia atjungti.

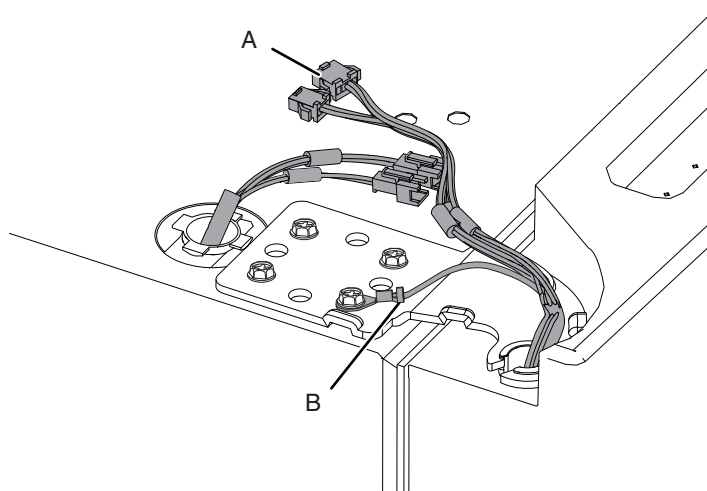
1. Naudojami „Phillips“ atsuktuvą nuimkite viršutinio vyro dangtelį.



- A. Viršutinio vyro dangtelio varžtai  
B. Viršutinio vyro dangtelis

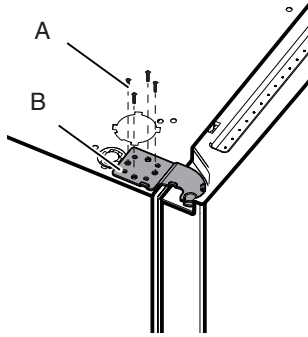
2. Atjunkite durelių vyro viršuje esančius du laidų kištukus.

- Suimkite už laidų kištukų šonų. Kairiuoju nykščiu paspauskite atlaisvindami fikساتorių ir patraukdami į skirtingas puses atskirkite kištukų dalis.



- A. Laidų kištukas  
B. Įžeminta jungtis

3. Naudodami 5 mm galinį raktą atsukite keturis vidinius viršutinio vryio varžtus ir juos padėkite atskirai.



A. 5 mm varžtai  
B. Viršutinis vryis

**PASTABA.** Išėmę vryius naudokite papildomą atramą šaldytuvo durelėms paremti. Dirbdami durelėms laikyti nepasikliaukite tik durelių tarpiklio magnetais.

4. Nukelkite šaldytuvo dureles nuo apatinio vryio kaiščio. Viršutinis vryis nusiims kartu su durelėmis.

**PASTABA.** Tam, kad galėtumėte šaldytuvą išgabenti pro duris, gali neprireikti nuimti apatinių vryių ir stabdymo kojelių tvirtinimo dalių.

- Naudodami 6 mm galinį raktą ir „Phillips“ atsuktuvą Nr. 2 nuimkite vidurinį vryį (tik jei būtina).

#### Dešiniųjų šaldytuvo durelių įstatymas į vietą

1. Dešiniąsias šaldytuvo dureles įstatykite į vidurinio vryio kaištį.
2. Į šaldytuvo durelių viršuje esančią angą įstatykite viršutinio vryio kaištį.
3. Vryį prie šaldytuvo pritvirtinkite keturiais 5 mm varžtais. Neprisukite varžtų iki galo.

#### Kairiųjų šaldytuvo durelių įstatymas į vietą

1. Kairiāsias šaldytuvo dureles įstatykite į vidurinio vryio kaištį.
2. Vryį prie šaldytuvo pritvirtinkite keturiais 5 mm varžtais. Neprisukite varžtų iki galo.
3. Iš naujo prijunkite elektros laidus.
  - Suspauskite abi laidų kištukų dalis.
  - Prie vryio varžto iš naujo prijunkite įžeminimo laidą.

#### Paskutiniai veiksmai

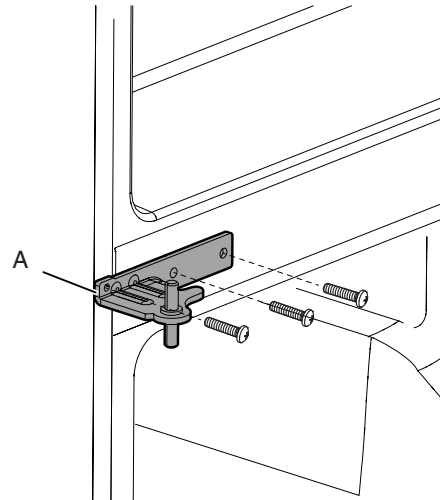
1. Iki galo prisukite aštuonis 5 mm varžtus.
2. Uždėkite viršutinių vryių dangtelius.

## Šaldiklio / „Flexi Freeze“ durelių nuėmimas ir keitimas

1. Šaldytuvo dureles laikykite uždarytas, iki kol būsite pasirengę jas nuimti.

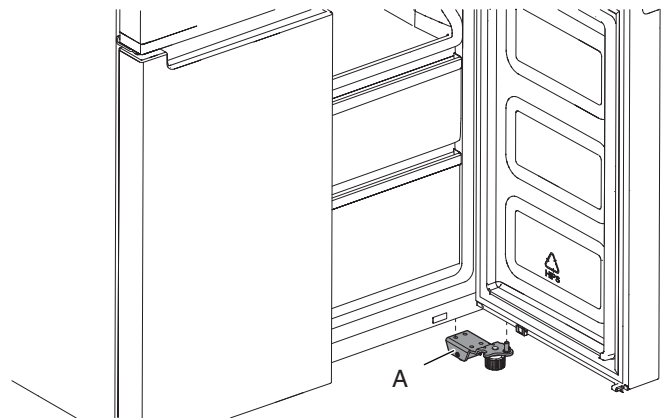
**PASTABA.** Išėmę vryius naudokite papildomą atramą šaldytuvo durelėms paremti. Dirbdami durelėms laikyti nepasikliaukite tik durelių tarpiklio magnetais.

- Naudodami „Phillips“ atsuktuvą Nr. 2 ir 6 mm galinį raktą nuimkite vryį nuo šaldytuvo.



A. Vidurinis vryis

- Nukelkite šaldytuvo dureles nuo apatinio vryio kaiščio.



A. Apatinis vryis

## ⚠ ĮSPĖJIMAS



### Elektros smūgio pavojus

Šaldytuvą prijunkite prie įžeminto kištukinio lizdo.

Nenuimkite įžeminimo kištuko.

Nenaudokite adapterio.

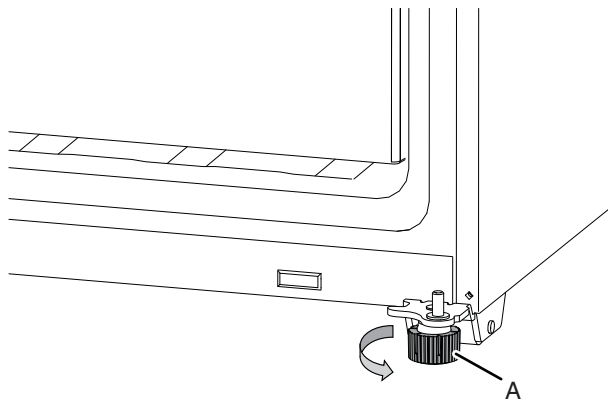
Nenaudokite ilgintuvo.

Nesilaikant šių instrukcijų galima mirti, kilti gaisras arba ištikti elektros smūgis.

1. Šaldytuvą prijunkite prie įžeminto kištukinio lizdo.
2. Vėl įdėkite visas išimtas dalis ir į stalčius sudėkite maisto produktus.

## Šaldytuvo lygiavimas

1. Šaldytuvą perkelkite į nuolatinę jo laikymo vietą.
2. Ranka pasukite fiksavimo kojelę. Kojelės sukite prieš laikrodžio rodyklę, kol ratukai pakils nuo grindų, o abi fiksavimo kojelės bus tvirtai įremtos į grindis. Tokiu būdu apsaugoma, kad atidarant dureles šaldytuvas nevirstų į priekį.



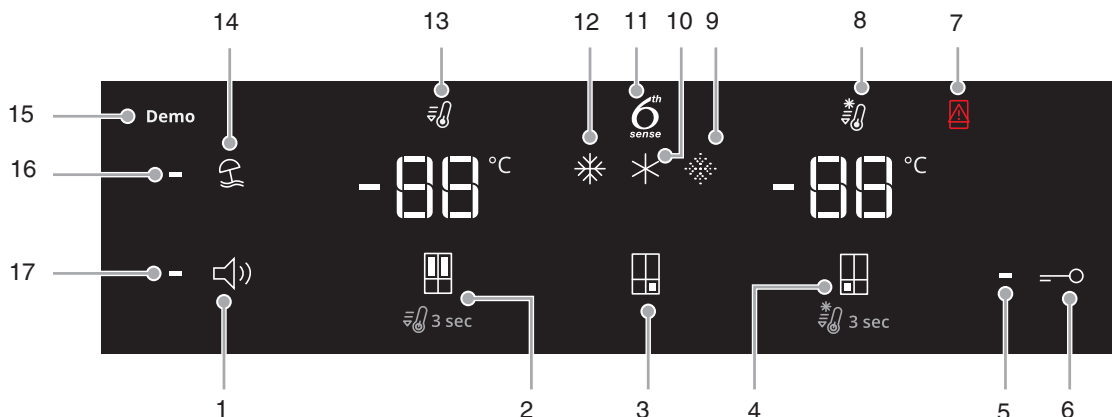
A. Stabdymo kojelė

**DĖMESIO.** Prireikus reguliuoti naudojant fiksavimo kojelę, abi fiksavimo kojeles pasukite tiek pat kartų, kad šaldytuvas stovėtų lygiai.

3. Gulsčiu patikrinkite, ar šaldytuvas yra lygus šonuose, priekyje ir gale.

## Valdiklių naudojimas

Paliečiant suaktyvinami valdikliai yra sumontuoti ant kairiųjų šaldytuvo durelių. Valdymo skydelyje pateikiama informacija apie įvairius mygtukus ir indikatorius. Šaldytuvo ir šaldiklio temperatūros indikatorius rodo paskutinę nustatytą temperatūrą.



1. Garso ĮJUNGIMO / IŠJUNGIMO mygtukas
2. Šaldytuvo temperatūros reguliavimo mygtukas (paspauskite ir paspaudę laikykite 3 sek., kad įjungtumėte funkciją „Fast Cool“)
3. „Flexi Freeze“ temperatūros nustatymo mygtukas (tik WQ9 B1L, 6WM591NIHAS ir WQ70900SXX modeliuose)
4. Šaldiklio temperatūros reguliavimo mygtukas (paspauskite ir paspaudę laikykite 3 sek., kad įjungtumėte funkciją „Fast Freeze“)
5. Užrakto indikatorius
6. Užrakto mygtukas
7. Atidarytų durelių indikatorius
8. „Fast Freeze“ indikatorius
9. „Soft Freeze“ indikatorius (tik WQ9 B1L, 6WM591NIHAS ir WQ70900SXX modeliuose)
10. „Mid Freeze“ indikatorius (tik WQ9 B1L, 6WM591NIHAS ir WQ70900SXX modeliuose)
11. „6th Sense“ indikatorius
12. „Hard Freeze“ indikatorius (tik WQ9 B1L, 6WM591NIHAS ir WQ70900SXX modeliuose)
13. „Fast Cool“ indikatorius
14. Atostogų režimo mygtukas
15. Demonstracinio režimo indikatorius (tik WQ9 B1L, 6WM591NIHAS ir WQ70900SXX modeliuose)
16. Atostogų režimo indikatorius
17. Garso indikatorius

Valdymo skydelis automatiškai išsijungs, jei vieną minutę su juo neatliekami jokie veiksmai. Norėdami įjungti valdymo skydelį paspauskite bet kokį mygtuką-indikatorių.

### -88 Nustatytų temperatūros ribų peržiūra ir reguliavimas

#### Šaldytuvo ir šaldiklio skyriaus temperatūros reguliavimas:

Jūsų patogumui šaldytuvo ir šaldiklio valdikliai yra iš anksto nustatyti gamykloje.

Pirmą kartą įrengdami šaldytuvą įsitikinkite, kad nustatytos rekomenduojamos valdiklių nuostatos. Gamyklinės rekomenduojamos temperatūros nuostatos yra 3 °C šaldytuvui ir -18 °C šaldikliui.

Spausdami šaldytuvo ir šaldiklio temperatūros mygtuką galite slinkti tarp Celsijaus (°C) laipsniais rodomų temperatūros verčių.

#### DĖMESIO.

- Prieš į šaldytuvą dėdami maistą palaukite 24 val. Įdėjus maistą į šaldytuvą jam neatvėsus iki nustatytos temperatūros, maistas gali sugesti.

**PASTABA.** Nustačius žemesnę temperatūrą nei rekomenduojama, maisto laikymo skyriai greičiau neatvės.

- Jei šaldytuvo ar šaldiklio temperatūra yra per žema arba per aukšta, prieš reguliuodami valdiklius pirmiausia patikrinkite, ar vėdinimo angos nėra užblokuotos.
  - Rekomenduojamos nuostatos turėtų atitikti įprastas šaldytuvo naudojimo sąlygas namuose. Valdikliai yra nustatyti teisingai, jei pienas ar sultys yra pakankamai atšalę, o ledai yra neištirpę.
- PASTABA.** Kai kuriose vietose, pvz., garaže, rūsyje ar verandoje, gali būti didesnė drėgmė arba neįprasta temperatūra. Norint šaldytuvą naudoti tokiomis sąlygomis, gali reikėti nustatyti kitokią temperatūrą nei rekomenduojama.

- Prieš reguliuodami kitą kartą palaukite 24 val. Prieš reguliuodami dar kartą patikrinkite temperatūras.

### „6<sup>th</sup> Sense Fresh“ užraktas ir šaldiklio valdiklis

„6<sup>th</sup> SENSE Fresh“ užrakto jutiklis užtikrina tikslios ir pastovios temperatūros palaikymą, kad maistas ilgiau išliktų šviežias ir kiek įmanoma natūralesnis. Aptikus temperatūros nuokrypių, jutiklis suaktyvina kompresorių, kuris greitai atkuria nustatytą temperatūrą.

Dėl pažangios temperatūros valdymo sistemos „6<sup>th</sup> SENSE Freeze“ jutiklis sumažina šaldiklio temperatūros svyravimus. Sumažėja nušalimai, todėl išsaugoma maisto produktų kokybė ir spalva.

### „Flexi Freeze“ nuostata (tik WQ9 B1L, 6WM591NIHAS ir WQ70900SXX modeliuose)

Funkcija „Flexi Freeze“ leidžia reguliuoti „Flexi Freeze“ maisto laikymo skyriuje nustatytą temperatūrą.

Piktograma	Funkcija	Temperatūra
☼	Įprastas šaldiklis	-18 °C
☼	Vidutinės temperatūros šaldiklis	-12 °C
☼	Nedidelės temperatūros šaldiklis	-7 °C

\* Norėdami aktyvinti / išjungti žemiausios temperatūros (-20 °C) nuostatą, paspauskite ir paspaudę 3 sekundes laikykite „Flexi Freeze“ temperatūros nustatymo mygtuką.

## Reguliuojamos temperatūros jutiklis


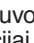
- Įprastas šaldiklis (–18 °C): šaldytas ir šviežias maistas (daugiausiai 12 mėn.)
- Vidutinės temperatūros šaldiklis (–12 °C): šaldytas maistas (maks. 1 mėn.)
- Nedidelės temperatūros šaldiklis (–7 °C): šaldytas maistas (maks. 1 sav.)

## Reguliuodami temperatūrą vadovaukitės toliau pateikta lentelė:

BŪSENA	TEMPERATŪROS REGULIAVIMAS
Šaldytuvo temperatūra per žema	Šaldytuvo temperatūrą nustatykite 1 °C didesne
Šaldytuvo temperatūra per aukšta	Šaldytuvo temperatūrą nustatykite 1 °C mažesne
Šaldiklio temperatūra per žema	Šaldiklio temperatūrą nustatykite 1 °C didesne
Šaldytuvo temperatūra per aukšta ir (arba) jame yra per mažai ledo	Šaldiklio temperatūrą nustatykite 1 °C mažesne



### „Fast Cool“

Funkcija „Fast Cool“ yra naudinga dažnai naudojant šaldytuvą, ji pilnai pripildžius arba laikinai esant aukštesnei patalpos temperatūrai.

- Norėdami įjungti funkciją „Fast Cool“, paspauskite šaldytuvo temperatūros mygtuką ir palaikykite  3 sekundes. Suaktyvinus funkciją, įsijiebs „Fast Cool“ piktograma. Funkcija „Fast Cool“ veiks 2 val., jei jos neišjungsitė rankiniu būdu.
- Norėdami rankiniu būdu išjungti funkciją „Fast Cool“, paspauskite šaldytuvo temperatūros mygtuką ir palaikykite  3 sekundes. Funkcijai išjungus, išsijungs ir „Fast Cool“ piktograma.
- Reguliuojant šaldytuvo temperatūrą funkcija „Fast Cool“ išsijungs automatiškai.

### „Fast Freeze“

Šviežio maisto kiekis (kg), kurį galima užšaldyti per 24 val., yra nurodytas prietaiso duomenų lentelėje.

- Šaldiklio temperatūros mygtuką paspauskite ir palaikykite paspaudę  3 sekundes (kol įsijiebs „Fast Freeze“ indikatorius) 24 val. prieš į šaldiklį įdėdami šviežią maistą. Įdėjus šviežią maistą į šaldiklį, maistui užšaldyti įprastai pakanka 24 val. Po 50 val. funkcija „Fast Freeze“ išsijungs automatiškai.
- Norėdami rankiniu būdu išjungti funkciją „Fast Freeze“, paspauskite šaldiklio temperatūros mygtuką ir palaikykite  3 sekundes. Išsijungs „Fast Freeze“ piktograma.
- Reguliuojant šaldiklio temperatūrą funkcija „Fast Freeze“ išsijungs automatiškai.

### Atostogų režimas

Šis režimas skirtas išvengti nereikalingo energijos suvartojimo, kai prietaisas yra nenaudojamas kaip įprasta (pavyzdžiui, kai atostogaujate).

Pasirinkus šią funkciją, bus nustatyta aukščiausia galima šaldytuvo maisto laikymo skyriaus (RC) temperatūra.

- Norėdami įjungti atostogų režimą, spauskite režimo mygtuką, kol ekrane įsijiebs atostogų režimo indikatorius.
- Norėdami išjungti atostogų režimą, spauskite režimo mygtuką, kol ekrane įsijiebs piktograma, nurodanti, kad nėra įjungtas joks režimas.
- Reguliuojant šaldytuvo temperatūrą atostogų režimas išsijungs automatiškai.

**DĖMESIO.** Įjungus šį režimą iš šaldytuvo maisto produktų laikymo skyriaus reikia išimti visus maisto produktus ir gėrimus.

## Garso ĮJUNGIMAS ir IŠJUNGIMAS

Paspauskite šį mygtuką norėdami įjungti arba išjungti garsą.

### Užraktas

- Spauskite užrakinimo mygtuką 3 sekundes norėdami įjungti užrakinimo funkciją.
- Norėdami išjungti užraktą, paspauskite ir paspaudę 3 sekundes laikykite užrakinimo mygtuką.

Užrakinimo funkcija blokuos visus veiksmus valdymo skydelyje, kol naudotojas jo neatrakinis. Ši funkcija skirta apsaugoti nuo atsitiktinio nuostatų pakeitimo.

### Demonstracinis režimas (tik WQ9 B1L, 6WM591NIHAS ir WQ70900SXX modeliuose)


Šis režimas naudojamas, kai šaldytuvus demonstruojamas parduotuvėje arba kai norite išjungti šaldymą ir kitas šaldytuvo funkcijas (išskyrus išorinį apšvietimą).

Demonstracinį režimą taip pat galima naudoti išvykstant ilgam laikui. Atitinkamus veiksmus, kurių reikia imtis šaldytuvą šiame režime paliekant ilgą laiką, žr. skyrių „Šaldytuvo priežiūra atostogų metu ir perkeltiant“.

- Įjungus demonstracinį režimą, ekrane įsijiebs „Demo“ piktograma.
- Įjunkite arba išjunkite demonstracinį režimą vienu metu paspausdami ir 3 sekundes laikydami paspaudę garso įjungimo ir išjungimo mygtuką bei užrakinimo mygtuką.

## Papildomos funkcijos

### Atidarytų durelių garsinis perspėjimo signalas

- Jei bet kurios iš keturių šaldytuvo durelių laikomos atidarytos 2 min. ir ilgiau, skamba atidarytų durelių garsinis perspėjimo signalas ir mirksi piktograma „Door Open“ (atidarytos durelės) .
- Garsinis perspėjimo signalas bus kartojamas kas 5 minutes. Uždarykite dureles norėdami jį nutildyti.

**PASTABA.** Norėdami nutildyti garsinį perspėjimo signalą esant atidarytomis šaldytuvo durelėms, pvz., valydami šaldytuvo vidų, palieskite bet kurį valdymo skydelio mygtuką. Garsinis perspėjimo signalas bus laikinai išjungiamas, tačiau valdymo skydelyje vis tiek bus rodoma atidarytų durelių piktograma.

## Šaldytuvo apšvietimas

Šaldytuve yra vidinis apšvietimas, kuris įsijungia atidarius dureles.

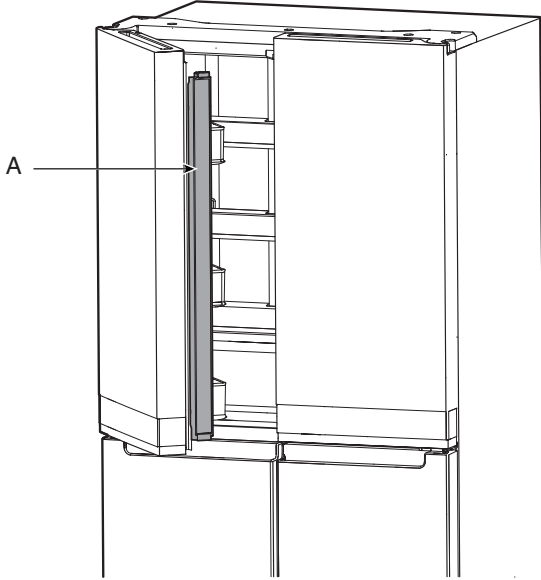
**PASTABA.** Apšvietimui naudojamas šviesos diodas, kurio nereikia keisti. Jei atidarius dureles šviesos diodas neįsijiebia, kreipkitės į priežiūros tarnybą, kad jos darbuotojai pakeistų šviesos diodą.

# ŠALDYTUVO NAUDOJIMAS

## Durelių atidarymas ir uždarymas

Yra dvi šaldytuvo skyriaus durelės. Dureles galima atidaryti ir uždaryti atskirai arba kartu. Ant kairiųjų šaldytuvo durelių yra vertikaliai pritvirtintas sandariklis.

- Atidarius kairiąsias šaldytuvo dureles sandariklis automatiškai atsilenkia į šoną, kad netrukdytų.
- Kai abejos durelės yra uždarytos, sandariklis automatiškai jas abi kartu užfiksuoja.

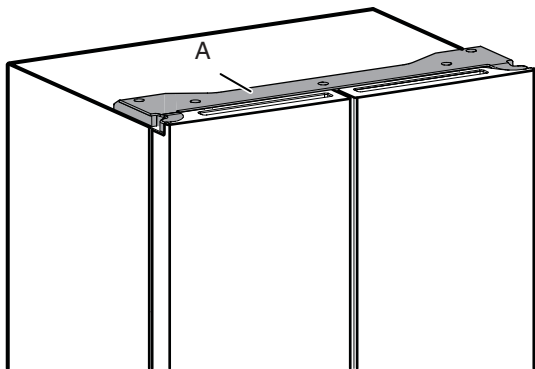


A. Vertikalus sandariklis

Šaldytuvo skyriaus durelių jungiklis yra viršutinio kairiojo ir dešiniojo vyro dangtelyje.

- Šaldiklio ir įvairios temperatūros zonose durelių jungiklis yra apatiniame vidstaktyje.
- Durelių jungiklyje yra magnetas, kuris aptinka atidarytas arba uždarytas dureles.
- Užtikrinkite, kad 7,62 cm atstumu nuo vyro dangtelio nebūtų magnetų ar elektroninių prietaisų (garsiakalbių, „Coolvox®“ ir pan.).

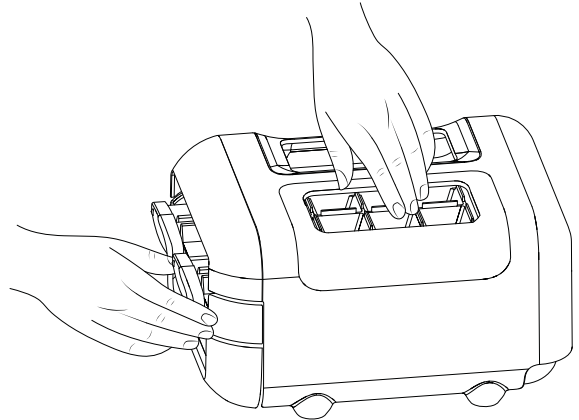
**PASTABA.** Neaptikus, kad durelės yra atidarytos, šviesa neįsijungs.



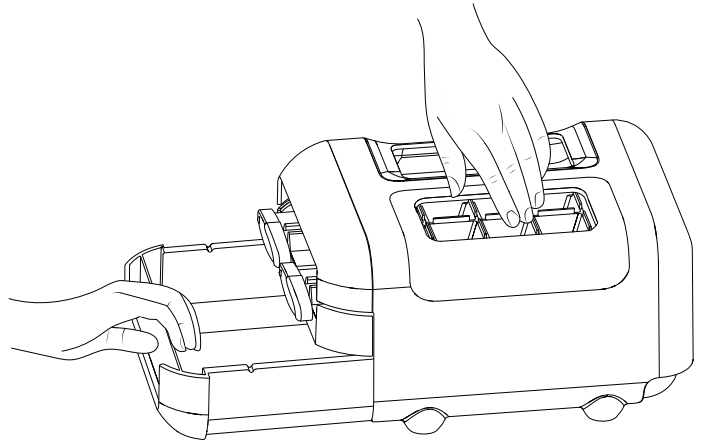
A. Vyro dangtelis

## Ledo kubelių gaminimo įtaisas

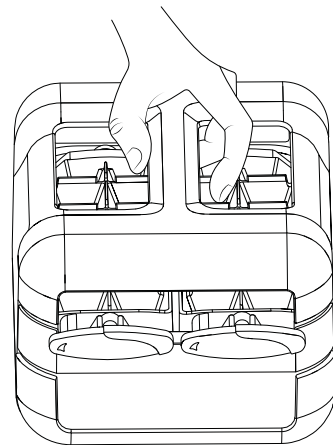
- Norėdami gaminti ledo kubelius, ledo padėklą pripildykite švairiu vandeniu ir ledo kubelių gaminimo įtaisą įdėkite į šaldiklio viršutinę lentyną. Palaukite, kol ledas susiformuos. Susiformavus ledui, pasukite rankenėles pagal laikrodžio rodyklę, kad ledo kubeliai įkristų į ledo talpyklą.



- Šiek tiek pakelkite ledo talpyklą ir ją ištraukite, kad galėtumėte išimti ledo kubelius.



Jei nenorite gaminti ledo kubelių ir šaldiklyje norite daugiau vietos, ledo kubelių gaminimo įtaisą galima išimti.



## Maisto produktų laikymas

### Kiaušinių laikymas

Kiaušinius rekomenduojama laikyti pastovioje temperatūroje, kad jie kuo ilgiau išliktų švieži. Todėl juos geriausia laikyti vidurinėje šaldytuvo lentynoje.



# LENTYNOS, DĖŽĖS IR STALČIAI

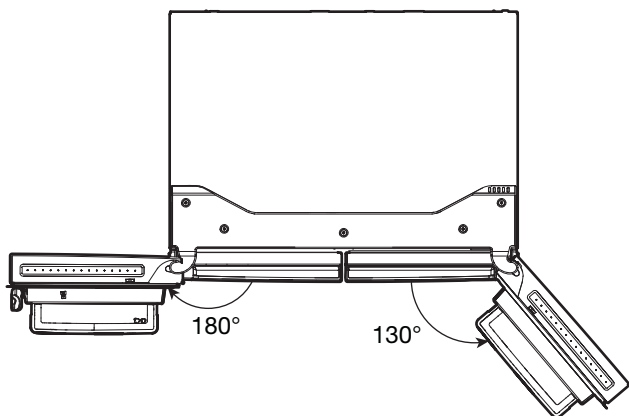
## Svarbi informacija, kurią reikia žinoti apie stiklines lentynas ir dangčius:

Šaltų stiklinių lentynų ir dangčių nevalykite šiltu vandeniu. Veikiant staigiems temperatūrų pokyčiams arba esant smūgiams, pvz., trinkelėjus, lentynos ir dangčiai gali suskilti. Grūdintas stiklas suskyla į daug mažų, akmenuko dydžio dalių. Tai yra normalu. Stiklinės lentynos ir dangčiai yra sunkūs. Juos imkite abiem rankomis, kad nenumestumėte.

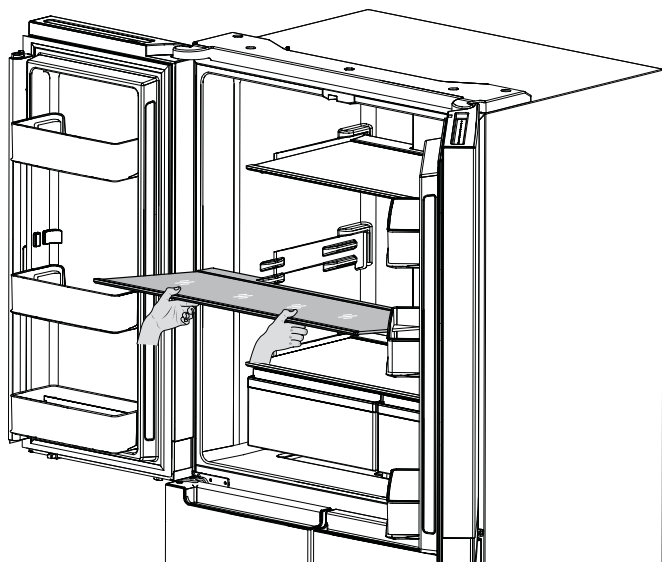
## Lentynos aukščio reguliavimas

Lentynos aukštį galima reguliuoti keičiant jos padėtį laikikliuose – nuo apatinio laikiklio į viršutinį ir atvirkščiai.

- Iki galo atidarykite dešiniąsias šaldytuvo dureles.
- Iki galo atidarykite kairiāsias dureles ir pakelkite, kad jos atsidarytų 180° kampu.



- Lentyną išimkite iš šaldytuvo ir vėl įdėkite norimoje padėtyje.



- Užtikrinkite, kad lentyna būtų tvirtai įstatyta į laikiklius.

## Lentynos ir lentynų rėmai

Šaldytuve esančias lentynas galima reguliuoti pagal norimas maisto produktų laikymo padėtis.

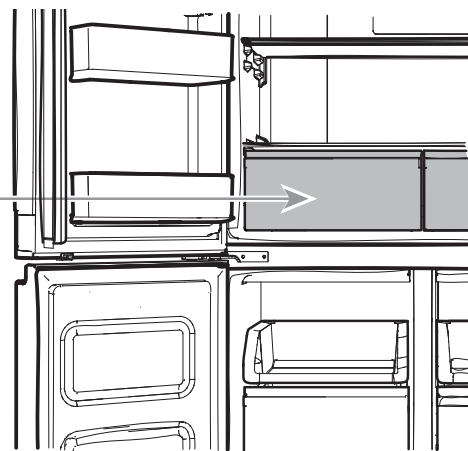
Jeigu panašius maisto produktus šaldytuve laikysite kartu ir atitinkamai sureguliuosite lentynų aukščius, lengviau rasite norimus produktus. Taip pat šaldytuvo durelės bus atidarytos trumpiau ir suvartojama mažiau energijos.

### Norėdami išimti ir pakeisti lentynas:

1. Iki galo atidarykite dešiniąsias ir kairiāsias šaldytuvo dureles, tada jas pakelkite, kad atsidarytų 180° kampu.
2. Išimkite vidurinę ir viršutinę lentyną jas pakeldami ir nuimdami nuo laikiklių. Lentyną patraukite į priekį ir palenkdami žemyn pastatykite į vertikalią padėtį. Lentyną pasukite kampu ir išimkite iš šaldytuvo.
3. Išimkite apatinę lentyną ją pakeldami ir nuimdami nuo laikiklių. Lentyną patraukite į priekį ir pakeldami aukštyn pastatykite į vertikalią padėtį. Lentyną pasukite kampu ir išimkite iš šaldytuvo.
4. Pakeiskite vidurinę ir viršutinę lentyną: lentynos priekį nuleiskite žemyn ir pasukite kampu, tada įdėkite į šaldytuvą. Lentynos priekį pakelkite į viršų ir stumkite iki galo, kol lentyna įsitvirtins laikikliuose. Nuleiskite lentynos priekį ir įsitinkinkite, kad lentyna yra tinkamoje padėtyje.
5. Pakeiskite apatinę lentyną: lentyną pakelkite, pasukite kampu, tada įdėkite į šaldytuvą. Lentynos priekį nuleiskite ir stumkite iki galo, kol lentyna įsitvirtins laikikliuose. Nuleiskite lentynos priekį ir įsitinkinkite, kad lentyna yra tinkamoje padėtyje.

## Vaisių ir daržovių laikymo skyrius

Vaisių ir daržovių laikymo skyrius

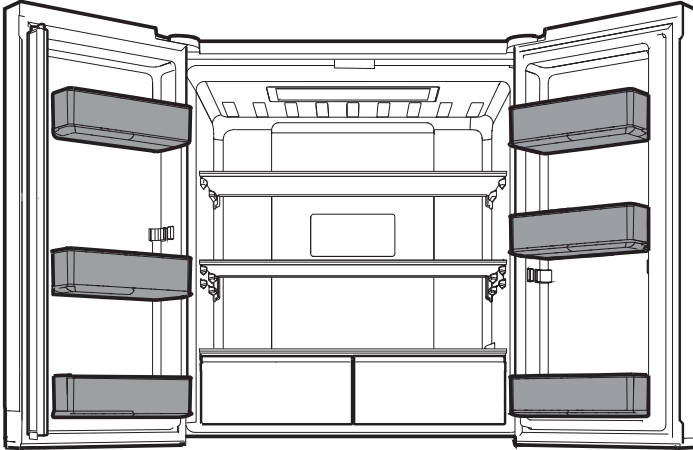


### Norėdami išimti arba pakeisti vaisių ir daržovių laikymo skyrius:

1. Paimkite už vaisių ir daržovių laikymo skyriaus rankenos ir traukite, kol sustos. Vaisių ir daržovių laikymo skyrių pakelkite nuo apatinio bėglio.
2. Pakeiskite / vėl įdėkite vaisių ir daržovių laikymo skyrių jį įstatydami į apatinį bėgelį ir pastumdami į priekį, kad skyrius užsifikuotų tinkamoje padėtyje.

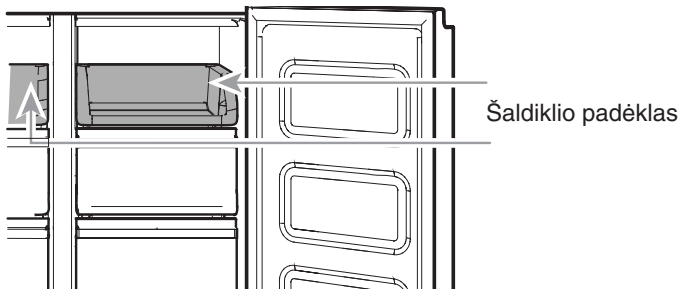
## Šaldytuvo dėklai durelėse

Šaldytuvo durelėse esančius dėklus galima reguliuoti pagal norimas maisto produktų laikymo padėtis.



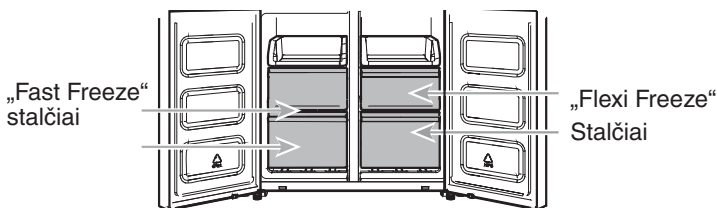
## Šaldiklio skyriai

### Šaldiklio padėklas



Šaldiklio padėklas yra naudingas norint pasiekti dažnai naudojamus produktus, užšaldyti arba tiesiog laikyti maisto likučius ar mažus produktus.

### Šaldiklio stalčiai



### „Fast Freeze“ skyrius

- „Fast Freeze“ stalčiuose galite patogiai laikyti didelius maisto produktus.
- „Fast Freeze“ šaldytus maisto produktus galite laikyti saugiai ir matyti, kas yra skyriaus viduje.

### „Flexi Freeze“ skyrius (tik WQ9 B1L, 6WM591NIHAS ir WQ70900SXX modeliuose)

„Flexi Freeze“ skyriuje galite rinktis iš trijų šaldiklio temperatūros lygių:  $-7^{\circ}\text{C}$ ,  $-12^{\circ}\text{C}$  ir  $-18^{\circ}\text{C}$ , kad būtų užtikrintos geriausios skirtingų rūšių maisto produktų laikymo sąlygos.

Norėdami pasiekti maksimalią šaldiklio skyriaus talpą, galite išimti šaldiklio stalčių ir naudoti šaldiklio lentyną.

### Norėdami išimti viršutinį stalčių:

1. paimkite už stalčiaus rankenos ir traukite, kol stalčius sustos. Stalčių pakelkite nuo apatinio bėgelio.
2. Pakeiskite / vėl įdėkite stalčių jį įstatydami į apatinį bėgelį ir pastumdami jį priekį, kad stalčius užsifiksuotų tinkamoje padėtyje.

### Šaldiklio lentyna (tik WQ9 E1L ir WQ9 B1L modeliuose)

Maksimaliai šaldiklio talpai pasiekti galite išimti vidurinį stalčių ir atidengti po juo esančią šaldiklio lentyną. Viršutinį stalčių galite pasidėti atskirai ir maistą laikyti tiesiai ant viršutinės lentynos.

## Garsiniai signalai

### Garsinio signalo priskyrimas

Garsinio signalo pavadinimas	Naudojimo pavyzdžiai
„Power On“	Aušinimo sistema įjungama kiekvieną kartą įjungus šaldytuvo maitinimą.
„Key Press“	Naudotojas paspaudžia neleistiną mygtuką.
„Invalid (Error)“	Naudotojas vienu metu paspaudžia du ar daugiau neleistinų mygtukų. Paspausti ir laikyti paspaudus skirtų mygtukų paspaudimo laiko skaičiavimo pertraukimas.
„Engage“	Pranešimas apie įjungtą režimą.
„Disengage“	Pranešimas apie išjungtą režimą.
„Alert“	Pravertų durelių pavojaus signalas.

Ši lentelė pateikta tik kaip trumpa nuoroda. Daugiau informacijos žr. atitinkamuose skyriuose. Esant neatitikimui vadovaukitės atitinkamuose skyriuose pateikiama informacija.

## Priedai

Norėdami užsakyti priedus kreipkitės į platintoją, iš kurio įsigijote šaldytuvą.

## Pagalba arba techninė priežiūra

Prieš kreipdamiesi pagalbos ar dėl techninės priežiūros, perskaitykite skyrių „Trikčių šalinimas“. Tokiu būdu galite išvengti išlaidų, susijusių su skambučių techninės priežiūros tarnybai. Jeigu vis dar reikia pagalbos, vadovaukitės toliau pateiktomis instrukcijomis.

### Prireikus atsarginių dalių

Norėdami savo vietovėje įsigyti gamintojo rekomenduojamų atsarginių dalių, kreipkitės į platintoją, iš kurio įsigijote šaldytuvą.

### Garantija

Norėdami gauti su garantija susijusios informacijos, kreipkitės į platintoją, iš kurio įsigijote šaldytuvą.

### Išsaugokite šias instrukcijas ir pirkimo čekį ateičiai. Norėdami gauti garantinį aptarnavimą, turite pateikti su šaldytuvo įsigijimu arba įrengimo data susijusius įrodymus.

Užsirašykite toliau nurodytą informaciją apie prietaisą, kad prireikus pagalbos arba techninės priežiūros galėtumėte ją pasinaudoti. Jums prireiks viso modelio numerio ir serijos numerio. Šią informaciją galite rasti ant modelio ir serijos numerio etiketės, esančios ant vidinės šaldytuvo skyriaus sienelės.

Platintojas \_\_\_\_\_

Serijos numeris \_\_\_\_\_

Adresas \_\_\_\_\_

Telefono numeris \_\_\_\_\_

Modelio numeris \_\_\_\_\_

Šaldytuvo įsigijimo data \_\_\_\_\_

# ŠALDYTUVO PRIEŽIŪRA

## Valymas

**ĮSPĖJIMAS**

**Sprogimo pavojus**

**Naudokite nedegų valiklį.**

**To nepaisant galima mirti, įvykti sproginimas arba kilti gaisras.**

Visi šaldytuvo, šaldiklio ir „Flexi Freeze“ skyriai (tik WQ9 B1L, 6WM591NIHAS ir WQ70900SXX modeliuose) yra atitirpinami automatiškai. Vis dėlto, visus skyrius valykite maždaug kartą per mėnesį, kad neužsilaikytų kvapai. Išsipylusius produktus nedelsdami nuvalykite.

### Šaldytuvo išorės valymas

Informaciją apie išorės valymą žr. pagal šaldytuvo modelį.

#### 1 tipas – durlės lygiu paviršiumi

**DĖMESIO.** Lygią šaldytuvo durių dangą pažeidus dėl netinkamo valymo priemonių naudojimo arba naudojant nerekomenduojamas valymo priemones, garantija netaikoma. Naudojami aštrūs arba atšipusius įrankius sugadinsite dangą.

NAUDOKITE	NENAUDOKITE
✓ Minkštą, švarią šluostę	✗ Abrazyvinių šluosčių ✗ Popierinių rankšluosčių ar laikraščių ✗ Kempinių iš plieno ir medvilnės
✓ Šiltą, muiluotą vandenį ir švelnų ploviklį	✗ Abrazyvinių miltelių ar skysčių ✗ Purškiamų langų valiklių ✗ Amoniako ✗ Rūgštinių valiklių ar valiklių acto pagrindu ✗ Orkaičių valiklių ✗ Degių skysčių

**PASTABA.** Popieriniai rankšluosčiai gali braižyti ir blukinti dažytų durų paviršių. Norėdami nepažeisti durių paviršiaus, jas valykite ir šluostykite tik naudodami minkštas ir švrias šluostas.

#### 2 tipas – nerūdijantysis plienas

##### DĖMESIO.

- Naudokite tik gamintojo rekomenduojamus nerūdijančio plieno valiklius ir šluostas. Nerūdijančio plieno šaldytuvo dangą pažeidus dėl netinkamo valymo priemonių naudojimo arba naudojant nerekomenduojamas valymo priemones, garantija netaikoma.
- Saugokite, kad prietaisai iš nerūdijančio plieno nebūtų veikiami kaustine soda ar didelį druskų ar drėgmės kiekį turinčia aplinka. Prietaisui sugedus dėl poveikio šiomis medžiagomis, garantija netaikoma.

NAUDOKITE	NENAUDOKITE
✓ Minkštą, švarią šluostę	✗ Abrazyvinių šluosčių ✗ Popierinių rankšluosčių ar laikraščių ✗ Kempinių iš plieno ir medvilnės
✓ Šiltą, muiluotą vandenį ir švelnų ploviklį	✗ Abrazyvinių miltelių ar skysčių ✗ Amoniako ✗ Valiklių citrusinių vaisių pagrindu ✗ Rūgštinių valiklių ar valiklių acto pagrindu ✗ Orkaičių valiklių
✓ Labai užterštus paviršius valykite tik prietaisams iš nerūdijančio plieno skirtais valikliais. Norėdami užsakyti valiklį kreipkitės į platintoją, iš kurio įsigijote šaldytuvą.	✗ Nerūdijančio plieno valiklis skirtas tik dalims iš nerūdijančio plieno valyti. Saugokite, kad nerūdijančiajam plienai skirtas valiklis ir šveitiklis nesiliestų su plastikinėmis dalimis, pvz., dalimis, kuriose yra išpjovų, vandens išdavimo dangteliais ar durų tarpikliais.

#### 3 tipas – pirštų antspaudams atsparus nerūdijantysis plienas DĖMESIO.

- Saugokite, kad prietaisai iš nerūdijančio plieno nebūtų veikiami kaustine soda ar didelį druskų ar drėgmės kiekį turinčia aplinka. Prietaisui sugedus dėl poveikio šiomis medžiagomis, garantija netaikoma.

NAUDOKITE	NENAUDOKITE
✓ Minkštą, švarią šluostę	✗ Abrazyvinių šluosčių ✗ Popierinių rankšluosčių ar laikraščių ✗ Kempinių iš plieno ir medvilnės
✓ Šiltą, muiluotą vandenį ir švelnų ploviklį	✗ Abrazyvinių miltelių ar skysčių ✗ Purškiamų langų valiklių ✗ Amoniako ✗ Rūgštinių valiklių ar valiklių acto pagrindu ✗ Orkaičių valiklių ✗ Degių skysčių

#### PASTABOS.

- Atsitiktinai ant plastikinių dalių patekus šių medžiagų, jas nuvalykite šiltame vandenyje paruoštu švelnaus valiklio tirpalu sudrėkinta kempine. Kruopščiai nusauskite minkštą šluoste.
- Nors valiklis yra skystas, nereiškia, kad jis nepasizymy abrazyviniu poveikiu. Dauguma skystų valiklių sukurti taip, kad nekenktų plytelėms ir lygiems paviršiams, tačiau jie vis tiek gali pažeisti nerūdijančią plieną.
- Citrinų rūgštis negrįžtamai pakeičia nerūdijančio plieno spalvą.
- Norėdami nepažeisti nerūdijančio plieno šaldytuvo paviršiaus:

#### saugokite, kad šios medžiagos nepatektų ant šaldytuvo paviršiaus:

- ✗ Garstyčios
- ✗ Padažai citrusinių vaisių pagrindu
- ✗ Pomidorų sultys
- ✗ Produktai citrusinių vaisių pagrindu
- ✗ „Marinara“ padažas

---

## Šaldytuvo vidaus valymas

---

1. Šaldytuvą atjunkite nuo maitinimo tinklo arba atjunkite elektros tiekimą.
2. Kruopščiai nuplaukite, nuskalaukite ir išdžiovinkite išimamas dalis bei vidinius paviršius. Naudokite švarią kempinę arba minkštą šluostę, sudrėkintą švelnaus ploviklio tirpalu vandenyje.  
**PASTABA.** Ant plastikinių dalių, vidaus ir durelių įdėklų ar tarpiklių nenaudokite abrazyvinių arba ėsdinančių valiklių, pvz., purškiamų langų valiklių, šveičiamųjų valiklių, degiųjų skysčių, valymo vašku, koncentruotų dezinfekavimo priemonių, baliklių arba valiklių, kurių sudėtyje yra naftos produktų.
3. Šaldytuvą prijunkite prie maitinimo tinklo arba įjunkite maitinimą.

---

## Kondensatoriaus valymas

---

Abiejose šio šaldytuvo šonuose yra kondensatoriaus. Abiejuose šaldytuvo šonuose gali būti jaučiama šiluma. Tai yra normalu.

---

## Apšvietimas

---

Šaldytuvo ir šaldiklio skyriai apšviečiami šviesos diodais, kurių keisti nereikia. Jei atidarius šaldytuvo dureles apšvietimas neįsijungia, kreipkitės į platintoją, iš kurio įsigijote šaldytuvą.

---

## Priežiūra atostogų metu ir perkeliant

---

### Atostogos

---

#### Jeigu išvykdami nusprendžiate palikti šaldytuvą įjungtą:

1. sunaudokite visus greitai gendančius produktus ir užšaldykite kitus.
2. Jeigu šaldytuve yra automatinis ledo gaminimo įtaisas, kuris yra prijungtas prie vandens tiekimo, išjunkite šaldytuvo vandens tiekimą. Neišjungus vandens tiekimo įrenginys gali būti sugadintas.
3. Jeigu turite automatinį ledo gaminimo įtaisą, jį išjunkite.
  - Ledo gaminimo įtaiso jungiklį nustatykite į padėtį Išjungta (O).
4. Ištuštinkite ledo dėžę.

#### Jeigu prieš išvykdami nusprendžiate išjungti šaldytuvą:

**PASTABA.** Šaldytuve nustatykite demonstracinį režimą, kuris veiks, kol būsite išvykę. Žr. skyrių „Valdiklių naudojimas“.

1. Iš šaldytuvo išimkite visus maisto produktus.
2. Jeigu šaldytuve yra automatinis ledo gaminimo įtaisas:
  - išjunkite ledo gaminimo įtaiso vandens tiekimą mažiausiai 1 dieną prieš išvykdami.
  - Iškritus paskutiniam ledo gabalui, šaldytuvo viduje (priklausomai nuo šaldytuvo modelio) esantį jungiklį nustatykite į padėtį Išjungta (O), kad ekranas būtų išjungtas.
3. Ištuštinkite ledo dėžę.
4. Išjunkite temperatūros valdiklius. Žr. skyrių „Valdiklių naudojimas“.
5. Šaldytuvą išvalykite, nušluostykite ir gerai nusauskite.
6. Į abiejų durelių viršų įstatykite gumines arba medines blokuotes, kurios prilaikytų duris atidarytas ir į šaldytuvo vidų galėtų patekti oro. Tokiu būdu apsaugoma nuo kvapų kaupimosi ir pelėsio susidarymo šaldytuvo viduje.

---

## Perkėlimas

---

Perkeldami šaldytuvą į naujus namus vadovaukitės toliau pateiktais pasiruošimo perkelti šaldytuvą veiksmais.


1. Jeigu šaldytuve yra automatinis ledo gaminimo įtaisas:
  - išjunkite ledo gaminimo įtaiso vandens tiekimą mažiausiai 1 dieną prieš išvykdami.
  - Atjunkite vandens tiekimą šaldytuvo galinėje pusėje.
  - Iškritus paskutiniam ledo gabalui, ant ledo gaminimo įtaiso arba valdiklio (priklausomai nuo šaldytuvo modelio) esantį jungiklį nustatykite į padėtį Išjungta (O).
2. Iš šaldytuvo išimkite visus maisto produktus ir visą šaldytą maistą sudėkite į sausą ledą.
3. Ištuštinkite ledo dėžę.
4. Šaldytuvą atjunkite nuo maitinimo.
5. Kruopščiai išvalykite, nušluostykite ir nusauskite.
6. Išimkite visas išimamas dalis, jas tvirtai suvyniokite ir naudodami lipnią juostą sutvirtinkite viena su kita, kad perkeliant neslankiotų ir nebarškėtų.
7. Priklausomai nuo šaldytuvo modelio, pakelkite šaldytuvo priekį, kad jis lengviau pajudėtų, arba pakelkite lygiavimo varžtus, kad jie nebraižytų grindų. Žr. skyrių „Durelių reguliavimas“ arba „Šaldytuvo lygiavimas ir durelių uždarymas“.
8. Lipnia juosta sutvirtinkite uždarytas duris ir prie šaldytuvo galo pritvirtinkite maitinimo laidą.

Perkėlę šaldytuvą į naują vietą visas dalis sudėkite atgal ir žr. skyriuje „Įrengimo instrukcijos“ pateiktas pasirengimo instrukcijas. Jei šaldytuve yra automatinis ledo gaminimo įtaisas, nepamirškite prijungti šaldytuvo vandens tiekimo.

# TRIKČIŲ ŠALINIMAS

Pirmiausia išbandykite čia siūlomus sprendimus, o tik tada kreipkitės dėl techninės priežiūros.

**⚠ ĮSPĖJIMAS**



**Elektros smūgio pavojus**

**Šaldytuvą prijunkite prie įžeminto kištukinio lizdo.**

**Nenuimkite įžeminimo kištuko.**

**Nenaudokite adapterio.**

**Nenaudokite ilgintuvo.**

**Nesilaikant šių instrukcijų galima mirti, kilti gaisras arba ištikti elektros smūgis.**

Problema	Galimos priežastys	Sprendimas
<b>Šaldytuvo veikimas</b>		
Šaldytuvus neveikia.	Patikrinkite elektros tiekimą.	Maitinimo laidą prijunkite prie įžeminto kištukinio lizdo.
		Nenaudokite ilgintuvo.
		Įsitikinkite, kad kištukinis lizdas prijungtas prie maitinimo. Prijunkite lempą, kad įsitikintumėte, jog veikia kištukinis lizdas.
		Išjunkite ir vėl įjunkite srovės pertraukiklį. Pakeiskite sugedusius saugiklius. <b>PASTABA.</b> Jei problema išlieka, kreipkitės į elektriką.
	Patikrinkite valdiklius.	Įsitikinkite, kad valdikliai yra įjungti. Žr. skyrių „Valdiklių naudojimas“.
	Šaldytuvus neseniai įrengtas.	Palaukite 24 val. po šaldytuvo įrengimo, kad jis visiškai atvėstų. <b>PASTABA.</b> Nustačius žemiausią valdiklių temperatūros nuostatą, maisto laikymo skyriai greičiau neatvės.
	Įjungtas šaldytuvo valdiklio demonstracinis režimas (kai kuriuose modeliuose).	Jei įjungtas šaldytuvo demonstracinis režimas, šaldymas bus išjungtas ir valdymo skydelyje bus rodomas užrašas „Demo“. Daugiau informacijos žr. skyriuje „Valdiklių naudojimas“.
Variklis veikia per ilgai.	Galingas kompresorius ir ventiliatoriai.	Didesni, galingesnis šaldytuvai veikia ilgiau esant mažesniai, labiau energiją taupančiam variklio greičiui.
	Didelė patalpos arba lauko temperatūra.	Tokiomis sąlygomis šaldytuvus įprastai veikia ilgiau. Norėdami pasiekti optimalų našumą, šaldytuvą įrenkite vidaus patalpoje, kurioje yra kontroliuojama temperatūra. Žr. skyrių „Reikalavimai įrengimo vietai“.
	Į šaldytuvą neseniai buvo įdėtas didelis kiekis šilto maisto.	Dėl įdėto šilto maisto šaldytuvo variklis veikia ilgiau, kol oras jame atvėsta iki nustatytos temperatūros.
	Durėlės per dažnai atidaromos arba būna per ilgai atidarytos.	Dėl į šaldytuvą patenkančio šilto oro jo variklis veikia ilgiau. Rečiau atidarinkite durėles.
	Atidarytos šaldytuvo durėlės arba šaldiklio stalčius.	Įsitikinkite, kad šaldytuvus stovi lygiai. Žr. skyrių „Šaldytuvo lygiavimas ir durėlių uždarymas“. Maisto produktus ir jų talpyklas laikykite taip, kad jos netrukdytų atidaryti durėles.
	Šaldytuvo temperatūros valiklis nustatytas ties per žemos temperatūros nuostata.	Šaldytuvo temperatūros valdiklį reguliuokite ties aukštesnės temperatūros nuostata, kol pasieksite norimą temperatūrą šaldytuve.
	Durėlės arba stalčiaus tarpiklis yra nešvarus, susidėvėjęs arba įskilęs.	Nuvalykite arba pakeiskite tarpiklį. Esant nesandariam durėlių sandarikliui, šaldytuvus veiks ilgiau, kad palaikytų nustatytą temperatūrą.

# TRIKČIŲ ŠALINIMAS

Pirmiausia išbandykite čia siūlomus sprendimus, o tik tada kreipkitės dėl techninės priežiūros.

Problema	Galimos priežastys	Sprendimas
Neveikia apšvietimas.	Jūsų šaldytuvo apšvietimui naudojamas šviesos diodas, kurio nereikia keisti.	Jei įjungtas šaldytuvo maitinimas, bet atidarius dureles arba stalčių apšvietimas neįsijungia, kreipkitės dėl techninės priežiūros arba pagalbos.
	Durelės buvo atidarytos ilgiau kaip 10 min.	Uždarykite dureles ir stalčių, tada juos vėl atidarykite, kad pradėtų veikti apšvietimas.
	Durelių jungiklis neaptinka atidarytų durelių.	Užtikrinkite, kad 7,62 cm (3 col.) atstumu nuo vyro dangtelio nebūtų magnetų arba elektroninių prietaisų.
Neįsijungia temperatūros valdiklio naudotojo sąsaja.	Įsijungė temperatūros valdiklio naudotojo sąsajos budėjimo režimas.	Paspauskite bet kurį vartotojo sąsajos mygtuką, kad suaktyvintumėte temperatūros valdiklio vartotojo sąsają.
	Temperatūros valdiklio vartotojo sąsajos mygtukai veikia netinkamai.	Išjunkite ir vėl įjunkite šaldytuvo maitinimą, kad atstatytumėte mygtukų veikimą. Jei problema išlieka, kreipkitės dėl techninės priežiūros arba pagalbos.
	Netiekiamas maitinimas temperatūros valdiklio naudotojo sąsajai.	Patikrinkite laidus durelių vyryje.
Nepavyksta reguliuoti temperatūros valdiklio sąsajos nuostatos.	Durelės yra atidarytos ir suaktyvintas garsinis atidarytų durelių pavojaus signalas.	Uždarykite dureles.
<b>Neįprastas triukšmas</b>		
Norėdami sužinoti, kokie yra įprasti šaldytuvo skleidžiami garsai, apsilankykite gamintojo internetinėje svetainėje, nueikite į skyrių „Product Help/FAQ“ (su gaminiu susijusi pagalba / DUK) ir į paieškos laukelį įveskite frazę „normal sounds“ (įprasti šaldytuvo skleidžiami garsai) Žemiau pateikta keletas įprastų garsų su paaiškinimais.		
Šaldytuvus skleidžia triukšmą.	Jūsų naujojo šaldytuvo kompresorius efektyviau reguliuoja temperatūrą, todėl šaldytuvus sunaudoja mažiau energijos ir veikia tyliau.	Kadangi šaldytuvai veikia tyliau, gali pasigirsti kai kurie neįprasti garsai. Tai yra normalu.
Kompresorius veikia ilgiau nei turėtų.	Galingas kompresorius ir ventiliatoriai.	Didesni, efektyvesni šaldytuvai veikia ilgiau mažesniais, labiau energiją taupančiais greičiais.
Virpėjimas / švilpimas	Kompresoriaus įprasto veikimo metu ventiliatoriai / kompresorius reguliuojami norint pasiekti optimalų našumą.	Tai yra normalu.
Sproginėjimas	Vidinių sienelių susitraukimas / plėtimasis, ypač pradinio vėsimo metu.	Tai yra normalu.
Šnypštimas / lašėjimas	Kompresoriuje teka šaltnešis arba alyva.	Tai yra normalu.
Vibracija	Gali būti, kad šaldytuvai stovi nelygiai.	Sureguliuokite lygiavimo varžtus ir nuleiskite lygiavimo kojeles, kad ji būtų tvirtai įremta į grindis. Žr. skyrių „Šaldytuvo lygiavimas ir durelių uždarymas“.
Tarškėjimas / trinksėjimas	Juda šalia šaldytuvo pritvirtinti vandens vamzdžiai arba ant šaldytuvo viršaus padėti daiktai.	Nuo šaldytuvo atjunkite perteklinį vandens vamzdį arba jį tvirtiau pritvirtinkite prie šaldytuvo. Žr. skyrių „Vandens tiekimo prijungimas“ arba nuimkite daiktus nuo šaldytuvo viršaus.
Spirgėjimas	Ant kaitintuvo laša vanduo vykstant atitirpinimo ciklui.	Tai yra normalu.
Vandens tekėjimas / gurguliavimas	Gali pasigirsti, kai atitirpinimo ciklo metu tirpsta ledas ir vanduo teka į išleidimo talpą.	Tai yra normalu.

# TRIKČIŲ ŠALINIMAS


Pirmiausia išbandykite čia siūlomus sprendimus, o tik tada kreipkitės dėl techninės priežiūros.

Problema	Galimos priežastys	Sprendimas
<b>Temperatūra ir drėgmė</b>		
Per aukšta temperatūra.	Šaldytuvas buvo neseniai įrengtas.	Palaukite 24 val. po šaldytuvo įrengimo, kad jis visiškai atvėstų.
	Valdikliai netinkamai nustatyti pagal esamas aplinkos sąlygas.	Sureguliuokite valdiklius ties žemesnės temperatūros nuostata. Temperatūrą patikrinkite po 24 val. Žr. skyrių „Valdiklių naudojimas“.
	Dažnai atidarinėjamos arba ne iki galo uždaromos durelės. Į šaldytuvą patenka šiltas oras.	Rečiau atidarinėkite dureles ir jas laikykite uždarytas iki galo.
	Į šaldytuvą neseniai buvo įdėta daug maisto produktų.	Palaukite kelias valandas, kol šaldytuve nusistovės įprasta temperatūra.
	Įjungtas demonstracinis režimas.	Išjunkite demonstracinį režimą. Žr. skyrių „Valdiklių naudojimas“.
	Įjungtas atostogų režimas.	Išjunkite atostogų režimą. Žr. skyrių „Valdiklių naudojimas“.
Per žema temperatūra šaldytuve ir (arba) vaisių ir daržovių laikymo skyriuje.	Užblokuota (-os) šaldytuvo oro vėdinimo anga (-os).	Jeigu šaldytuvo skyriaus viduryje gale esantis oro vėdinimo anga bus užblokuota tiesiai priešais ją padėtais maisto produktais, šaldytuvas atšals per daug. Patraukite maisto produktus nuo vėdinimo angos.
	Valdikliai netinkamai nustatyti pagal esamas aplinkos sąlygas.	Sureguliuokite valdiklius ties aukštesnės temperatūros nuostata. Temperatūrą patikrinkite po 24 val. Žr. skyrių „Valdiklių naudojimas“.
	Ledo laikymo talpa yra netinkamoje padėtyje.	Žr. skyrių „Ledo gaminimo įtaisas ir ledo laikymo talpa“.
Per žema temperatūra reguliuojamos temperatūros stalčiuje.	Temperatūros valdiklis netinkamai nustatytas pagal stalčiuje laikomus maisto produktus.	Sureguliuokite temperatūros nuostatą. Žr. skyrelį „Valdiklių naudojimas“ skyriuje „Šaldytuvo naudojimas“.
Šaldytuvo viduje kaupiasi drėgmė. <b>PASTABA.</b> Nedidelis drėgmės kaupimasis yra normalu.	Patalpa yra drėgna.	Drėgna aplinka skatina drėgmės kaupimąsi šaldytuve.
	Dažnai atidarinėjamos arba ne iki galo uždaromos durelės. Į šaldytuvą patenka drėgnas oras.	Rečiau atidarinėkite dureles ir uždarykite iki galo.
	Durelės yra užblokuotos ir atidarytos.	Patraukite maisto produktus toliau nuo durelių.
	Trukdo dėžė arba lentyna.	Pastumkite dėžę arba lentyną į tinkamą padėtį.
	Atidarytose talpose laikomi skysčiai.	Tai skatina drėgmės kaupimąsi šaldytuvo viduje. Visas talpas laikykite sandariai uždarytas.
Šaldiklio skyriuje kaupiasi šerkšnas ir (arba) ledas.	Per dažnai atidarinėjamos durelės arba jos paliekamos atidarytos.	Rečiau atidarinėkite dureles ir po naudojimo iki galo uždarykite stalčių.
	Prastas durelių sandarumas.	Užtikrinkite, kad durelių sandariklis gerai prisitvirtintų prie šaldytuvo, kad būtų užtikrintas tinkamas durelių sandarumas.
	Netinkamai nustatyti temperatūros valdikliai.	Rekomenduojamas temperatūros nuostatas žr. skyriuje „Valdiklių naudojimas“.

# TRIKČIŲ ŠALINIMAS

Pirmiausia išbandykite čia siūlomus sprendimus, o tik tada kreipkitės dėl techninės priežiūros.

**⚠ ĮSPĖJIMAS**



**Sprogimo pavojus**  
**Naudokite nedegų valiklį.**  
**To nepaisant galima mirti, įvykti sproginimas arba kilti gaisras.**

Norėdami peržiūrėti animaciją, kurioje parodoma, kaip teisingai sureguliuoti ir sulygiuoti dureles, apsilankykite gamintojo interneto svetainėje, nueikite į skyrių „Product Help/FAQ“ (su gaminiu susijusi pagalba / DUK) ir į paieškos laukelį įveskite frazę „Door Closing and Door Alignment“ (durelių uždarymas ir lygiavimas).

Problema	Galimos priežastys	Sprendimas
<b>Durelės</b>		
Durelės neužsidaro iki galo.	Durelės yra užblokuotos ir atidarytos.	Patraukite maisto produktus toliau nuo durelių.
	Trukdo dėžė arba lentyna.	Pastumkite dėžę arba lentyną į tinkamą padėtį.
	Šaldytuvas neseniai įrengtas.	Nuimkite visas pakavimo medžiagas.
Sunkiai atsidaro durelės.	Durelių tarpikliai yra nešvarūs arba lipnūs.	Tarpiklius ir kontaktuojančius paviršius nuvalykite muilu ir vandeniu. Nuskalaukite ir nusausinkite šluoste.
Durelės yra nelygios.	Reikia sulygiuoti dureles arba šaldytuvą.	Jeigu reikia sulygiuoti dureles, kreipkitės į techninės priežiūros skyrių.
Šaldytuvas stovi nelygiai arba svyra į priekį atidarant arba uždarant dureles.	Šaldytuvo stabdymo kojelė nesiremia tvirtai į grindis.	Abi stabdymo kojeles (po vieną kiekvienoje šaldytuvo pusėje) pasukite prieš laikrodžio rodyklę tiek pat kartų, kol jos bus tvirtai įremtos į grindis. Žr. skyrių „Šaldytuvo lygiavimas ir durelių uždarymas“.



# Obsah

<b>BEZPEČNOSŤ CHLADNIČKY</b> .....	<b>490</b>
Správna likvidácia vašej starej chladničky .....	493
<b>DIELY A VLASTNOSTI</b> .....	<b>494</b>
<b>INŠTALAČNÉ POKYNY</b> .....	<b>495</b>
Začíname .....	495
Chladničku vybalte .....	495
Požiadavky na umiestnenie .....	496
Požiadavky na elektrické zapojenie .....	496
Odmontovanie a opätovná montáž dverí chladničky .....	498
Odmontovanie a opätovná montáž dverí mrazničky/flexibilnej mrazničky .....	500
Vyrovnanie chladničky do vodorovnej polohy .....	501
Použitie ovládačov .....	502
Osvetlenie chladničky .....	503
<b>POUŽÍVANIE CHLADNIČKY</b> .....	<b>504</b>
Otvorenie a zatvorenie dverí .....	504
Skladovanie potravín .....	504
<b>POLICE, ZÁSOBNÍKY A ZÁSUVKY</b> .....	<b>505</b>
Skladovacie oddelenia v mrazničke .....	506
Odkazy na zvuky .....	506
Príslušenstvo .....	506
Služby pre zákazníkov alebo servis .....	506
<b>STAROSTLIVOSŤ O CHLADNIČKU</b> .....	<b>507</b>
Čistenie .....	507
Svetlá .....	508
Dovolenka a opatrenia pri sťahovaní .....	508
<b>RIEŠENIE PROBLÉMOV</b> .....	<b>509</b>

# BEZPEČNOSŤ CHLADNIČKY

## Vaša bezpečnosť a bezpečnosť ostatných osôb je veľmi dôležitá.

V tejto príručke a na svojom spotrebiči nájdete veľa dôležitých bezpečnostných výstrah. Výstrahy si prečítajte a všetky ich dodržiavajte.



Toto je výstražný bezpečnostný symbol.

Upozorňuje vás na potenciálne nebezpečenstvá, ktoré môžu spôsobiť smrteľné alebo vážne zranenia vám alebo iným osobám.

Všetky bezpečnostné výstrahy bude sprevádzať výstražný bezpečnostný symbol a slovo „NEBEZPEČENSTVO“ alebo „VAROVANIE“.

Význam uvedených slov:

 **NEBEZPEČENSTVO**

Ak pokyny nedodržíte okamžite, môže to spôsobiť smrteľný alebo vážny úraz.

 **VAROVANIE**

Ak nedodržíte pokyny, môže to spôsobiť smrteľný alebo vážny úraz.

Všetky bezpečnostné výstrahy vás upozornia na potenciálne nebezpečenstvo, odporúčia spôsob ako znížiť riziko zranenia a poučia vás o tom, čo by sa mohlo stať, ak pokyny nedodržíte.

## BEZPEČNOSTNÉ POKYNY

Pred používaním spotrebiča si prečítajte bezpečnostné pokyny. Majte ich poruke, aby ste ich mohli použiť aj v budúcnosti. V návode aj na samotnom spotrebiči sú dôležité bezpečnostné varovania, ktoré treba vždy dodržiavať. Výrobca odmieta akúkoľvek zodpovednosť za poruchy spôsobené nedodržaním bezpečnostných pokynov, nevhodným použitím spotrebiča alebo nesprávnym nastavením ovládačov.

⚠ Veľmi malým deťom (0 – 3 roky) nedovoľte, aby sa priblížili k spotrebiču. Malým deťom (3 – 8 roky) nedovoľte, aby sa priblížili k spotrebiču, pokiaľ nie sú pod stálym dohľadom. Deti vo veku nad 8 rokov a osoby s obmedzenými fyzickými, zmyslovými a rozumovými schopnosťami alebo s nedostatkom skúseností a poznatkov môžu tento spotrebič používať, pokiaľ sú pod dohľadom alebo ak boli poučené o bezpečnom používaní spotrebiča a pochopili riziká spojené s jeho používaním. Deti sa so spotrebičom nesmú hrať. Deti bez dohľadu nesmú vykonávať čistenie a údržbu spotrebiča.

### POVOLENÉ POUŽÍVANIE

⚠ UPOZORNENIE: Spotrebič sa nesmie uvádzať do prevádzky prostredníctvom externého spínača, ako sú časomery alebo samostatné diaľkovo ovládané systémy.

⚠ Tento spotrebič je určený na použitie v domácnostiach a na podobné použitie, ako napríklad: kuchynky pre pracovníkov v obchodoch, v administratívnych budovách a na iných pracoviskách, v zariadeniach vidieckej turistiky, pre hostov v hoteloch, motelloch, v ubytovniach, v zariadeniach bed & breakfast a v iných obytných budovách.

⚠ Tento spotrebič nie je určený na profesionálne používanie. Spotrebič nepoužívajte vonku.

⚠ Spotrebič je navrhnutý na prevádzku v miestnostiach, kde teplota prostredia dosahuje nasledujúce rozsahy, v súlade s klimatickou triedou uvedenou na výrobnom štítku. Dlhodobé pôsobenie teplôt mimo špecifikovaného rozsahu môže nepriaznivo ovplyvniť fungovanie spotrebiča.

Klimatická trieda prostr. T. (°C)

SN: 10 až 32 °C; N: 16 až 32 °C

ST: 16 až 38 °C; T: 16 až 43 °C

⚠ Tento spotrebič neobsahuje CFC. Okruh chladiča obsahuje R600a (HC). Spotrebič s izobutánom (R600a): izobután je prírodný plyn, ktorý nemá nepriaznivé účinky na životné prostredie, ale je horľavý. Preto sa uistite, že rúrky okruhu chladiča nie sú poškodené, predovšetkým pri jeho vyprázdňovaní.

⚠ VAROVANIE: Nepoškodzuje rúrky okruhu chladiča spotrebiča.

⚠ VAROVANIE: Vetracie otvory na plášti spotrebiča alebo v štruktúre na zabudovanie spotrebiča nikdy nezakrývajte.

## DÔLEŽITÉ UPOZORNENIA, KTORÉ SI MUSÍTE PREČÍTAŤ A DODRŽIAVAŤ

⚠ VAROVANIE: Na urýchlenie odmrazenia spotrebiča nepoužívajte mechanické nástroje, elektrické zariadenia ani chemikálie, pokiaľ ich neodporučil výrobca spotrebiča.

⚠ VAROVANIE: Vnútri jednotlivých oddelení spotrebiča nepoužívajte ani do nich nekladajte žiadne elektrické zariadenia, pokiaľ ich použitie výslovne neodporučil výrobca spotrebiča.

⚠ VAROVANIE: Výrobníky ľadu a/alebo vydávače vody, ktoré nie sú zapojené priamo do vodovodnej siete, sa musia plniť iba pitnou vodou.

⚠ VAROVANIE: Automatické výrobníky ľadu a/alebo vydávače vody sa musia pripojiť k prívodu vody, ktorý privádza iba pitnú vodu s tlakom v rozsahu 0,17 až 0,81 MPa (1,7 až 8,1 bar).

⚠ V spotrebiči neskladujte výbušné látky, napríklad tlakové nádoby s horľavou náplňou.

⚠ Nepožívajte obsah (netoxický) ľadových zásobníkov (dodávajú sa s niektorými modelmi). Nejedzte ľadové kocky ani nanuky ihneď po ich vybratí z mrazničky, pretože môžu spôsobiť omrzliny.

⚠ Pri výrobkoch navrhnutých na použitie so vzduchovým filtrom vnútri krytu prístupného ventilátora musí byť počas prevádzky chladničky filter vždy namontovaný na svojom mieste.

⚠ V mrazničke nikdy neskladujte sklenené nádoby s kvapalinami, pretože nádoby by mohli prasknúť. Nezakrývajte ventilátor (ak je súčasťou modelu) potravinami. Po vložení potravín skontrolujte, či sa dvere oddelení správne zatvárajú, skontrolujte predovšetkým dvere mrazničky.

⚠ Poškodené tesnenia musíte čo najskôr vymeniť.

⚠ Oddelenie chladničky používajte iba na skladovanie čerstvých potravín a oddelenie mrazničky iba na skladovanie mrazených potravín, zmrazenie čerstvých potravín a na prípravu ľadových kociek.

⚠ Pri skladovaní zabráňte, aby sa nezabalené potraviny dostali do kontaktu s vnútornými stenami chladničky alebo mrazničky. Spotrebiče môžu mať k dispozícii špeciálne oddelenia (oddelenie na čerstvé potraviny, zásuvka s nulovou teplotou a pod.). Pokiaľ nebudú v príručke konkrétneho výrobku uvedené iné pokyny, môžete špeciálne oddelenia vybrať, pričom si spotrebič zachová rovnocenný výkon a účinnosť.

### INŠTALÁCIA

⚠ Pri manipulácii a inštalácii spotrebiča musia spolupracovať dve osoby alebo viac osôb, v opačnom prípade hrozí nebezpečenstvo úrazu. Pri vybalovaní a inštalácii používajte ochranné rukavice, hrozí nebezpečenstvo porezania.

⚠ Inštaláciu, vodovodnú (ak je to vhodné pre model spotrebiča) a elektrickú prípojku, ako aj opravy smie vykonávať výhradne kvalifikovaný technik. Žiadny diel spotrebiča neopravujte ani nevymieňajte, pokiaľ to nie je výslovne uvedené v príručke pre používateľa. Nedovoľte deťom, aby sa priblížili k miestu inštalácie.

Po vybalení spotrebiča sa uistite, že sa počas prepravy nepoškodil. Ak by sa vyskytli nejaké problémy, kontaktujte predajcu alebo najbližšie servisné stredisko. Po inštalácii spotrebiča musíte obalový materiál (plast, diely s polystyrénu a pod.) uskladniť mimo dosahu detí, ináč bude hroziť nebezpečenstvo udusenía. Spotrebič musíte pred inštaláciou odpojiť od elektrického napájania, ináč bude hroziť nebezpečenstvo zásahu elektrickým prúdom. Počas inštalácie dávajte pozor, aby sa nepoškodil elektrický napájací kábel, ináč bude hroziť nebezpečenstvo požiaru alebo zásahu elektrickým prúdom. Spotrebič zapnite až po ukončení inštalácie.

⚠ Pri premiestňovaní spotrebiča dávajte pozor, aby ste nepoškodili dlážku (napr. parkety). Spotrebič nainštalujte na dlážku alebo na podstavec, ktorý udrží jeho hmotnosť a na mieste vhodnom pre veľkosť a použitie spotrebiča. Uistite sa, že spotrebič nie je blízko zdroja tepla a že štyri nožičky stoja stabilne a pevne na dlážke. Podľa potreby ich nastavte a liehovou vodováhou skontrolujte, či je spotrebič vo vodorovnej polohe. Pred zapnutím spotrebiča počkajte aspoň dve hodiny, aby sa zaistila plná účinnosť chladiaceho okruhu.

⚠ Aby sa zaistila správna ventilácia, nechajte na oboch stranách aj nad spotrebičom dostatočný voľný priestor. Vzdialenosť medzi zadnou stenou spotrebiča a múrom za ním by mala byť 50 mm, aby sa zabránilo prístupu k horúcim povrchom. Zmenšenie tohto priestoru bude znamenať zvýšenie spotreby energie spotrebiča.

⚠ **VAROVANIE:** Aby ste zabránili nebezpečenstvu v dôsledku nestability, musíte spotrebič umiestniť a upevniť podľa pokynov výrobcu. Chladnička sa nesmie umiestniť tak, aby boli kovové rúry plynového sporáka, kovové plynové alebo vodovodné rúry, prípadne elektrické vedenie v kontakte so zadnou stenou chladničky (cievka kondenzátora).

⚠ Pokiaľ by bolo nevyhnutné vymeniť dvere, kontaktujte servisné stredisko.

## **VAROVANIA SÚVISIACE S ELEKTRICKÝM ZAPOJENÍM**

⚠ Spotrebič sa bude musieť dať odpojiť od elektrického napájania vyťahnutím prístupnej zástrčky alebo pomocou viacpólového spínača nainštalovaného medzi elektrickou zásuvkou a spotrebičom, v súlade s požiadavkami predpisov o elektrickom zapojení. Spotrebič musí byť uzemnený v súlade s platnými vnútroštátnymi bezpečnostnými normami.

⚠ Nepoužívajte predlžovacie elektrické káble, rozdvojky ani adaptéry. Po inštalácii nesmú byť elektrické komponenty pre používateľa prístupné. Spotrebič nepoužívajte, ak máte mokré alebo bosé nohy. Spotrebič nezapínajte, ak je poškodený jeho elektrický napájací kábel alebo zástrčka, ak nefunguje správne alebo ak je poškodený alebo spadol.

⚠ Ak je poškodený elektrický napájací kábel, musíte ho dať vymeniť za rovnaký u výrobcu, v autorizovanom servisnom stredisku alebo to musí urobiť kvalifikovaný elektrikár, aby sa predišlo nebezpečenstvu zásahu elektrickým prúdom.

⚠ **VAROVANIE:** Po umiestnení spotrebiča sa uistite, že napájací elektrický kábel nie je stlačený alebo poškodený.

⚠ **VAROVANIE:** Nekladte prenosné rozdvojky ani prenosné napájacie zdroje za zadnú stenu spotrebiča.

## **ČISTENIE A ÚDRŽBA**

⚠ **VAROVANIE:** Pred každým úkonom údržby sa uistite, že je spotrebič vypnutý a odpojený od elektrického napájania. Na čistenie nepoužívajte zariadenie s parou, hrozí nebezpečenstvo zásahu elektrickým prúdom.

⚠ Na čistenie plastových dielov, vnútorných plôch a tesnenia nepoužívajte abrazívne ani žieravé čističe, ako sú spreje na okná, čistiace prášky, horľavé tekutiny, čistiace vosky, koncentrované detergenty, bieliadlá alebo čistiace prípravy s obsahom ropných produktov. Nepoužívajte papierové utierky, drôtenky ani iné drsné čistiace nástroje.

## **LIKVIDÁCIA OBALOVÝCH MATERIÁLOV**

Obalový materiál je 100 % recyklovateľný a je označený symbolom recyklácie ♻.

Rôzne časti obalu preto musíte zlikvidovať zodpovedne a v plnom súlade s miestnymi predpismi o likvidácii odpadov.

## **LIKVIDÁCIA DOMÁCICH SPOTREBIČOV**

Spotrebič je vyrobený z recyklovateľných alebo znovu využiteľných materiálov. Zlikvidujte ho v súlade s požiadavkami miestnych predpisov o likvidácii odpadov. Ďalšie informácie o zneškodnení, zhodnotení a recyklácii domácich elektrických spotrebičov získate na miestnom úrade, v stredisku na zber odpadu z elektrických zariadení alebo v obchode, kde ste spotrebič kúpili. Tento spotrebič je označený podľa európskej smernice 2012/19/EÚ o odpade z elektrických a elektronických zariadení (OEEZ). Zaistením správnej likvidácie tohto výrobku zabránite negatívnym dopadom na životné prostredie a ľudské zdravie.

Symbol ♻ na výrobku alebo v sprievodnej dokumentácii indikuje, že so spotrebičom sa nesmie zaobchádzať ako s komunálnym odpadom, ale že sa musí odovzdať v príslušnom zbernom stredisku, aby bola zaistená správna recyklácia elektrických a elektronických zariadení.

## **TIPY NA ÚSPORU ENERGIE**

Spotrebič nainštalujte v suchej, dobre vetranej miestnosti, ďaleko od zdrojov tepla (napr. radiátor, sporák a pod.) a na mieste, kde nebude vystavený priamym slnečným lúčom. Podľa potreby použite izolačný panel.

Na zaistenie správnej ventilácie dodržte nasledujúce inštalčné pokyny. Nedostatočné vetranie na zadnej strane výrobku zvyšuje spotrebu energie a znižuje účinnosť chladenia.

Časté otváranie dverí môže spôsobiť zvýšenie spotreby energie. Interná teplota spotrebiča a spotreba energie môžu byť ovplyvnené aj teplotou prostredia a miestom inštalácie spotrebiča. Pri nastavovaní teploty zohľadnite uvedené faktory.

Zredukujte otváranie dverí na minimum.

Pri rozmrazovaní mrazených jedál ich vložte do chladničky. Nízka teplota mrazených produktov ochladí potraviny v chladničke. Pred vložením do spotrebiča nechajte teplé jedlá a nápoje vychladnúť.

Umiestnenie políc v chladničke nemá vplyv na účinnosť využitia energie. Potraviny treba ukladať na police tak, aby sa zaistila správna cirkulácia vzduchu (potraviny by sa nemali vzájomne dotýkať a medzi potravinami a zadnou stenou by mala ostať dostatočná vzdialenosť).

Kapacitu skladovacieho priestoru na zmrazené potraviny môžete zväčšiť vybratím košov a, ak je k dispozícii, aj vybratím police Stop Frost.

Neobávajte sa zvukov vychádzajúcich z kompresora, ktoré sú opísané ako normálne zvuky v stručnej príručke spotrebiča.



## Správna likvidácia vašej starej chladničky

### **VAROVANIE**

#### **Nebezpečenstvo udusenia**

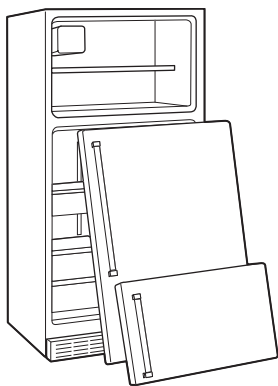
**Zo starej chladničky odmontujte dvere.**

**Nedodržanie tohto pokynu môže spôsobiť smrť alebo poškodenie mozgu.**

**DÔLEŽITÁ POZNÁMKA:** Deti, ktoré ostali zatvorené a udusené v spotrebiči nie sú problémom minulosti. Zlikvidované alebo opustené chladničky predstavujú nadalej nebezpečenstvo, aj keď ich necháte bez dozoru „iba niekoľko dní“. Pri vyhadzovaní svojej starej chladničky dodržte nasledujúce pokyny, aby ste sa vyhli nehodám.

**Pred vyhodením svojej starej chladničky alebo mrazničky:**

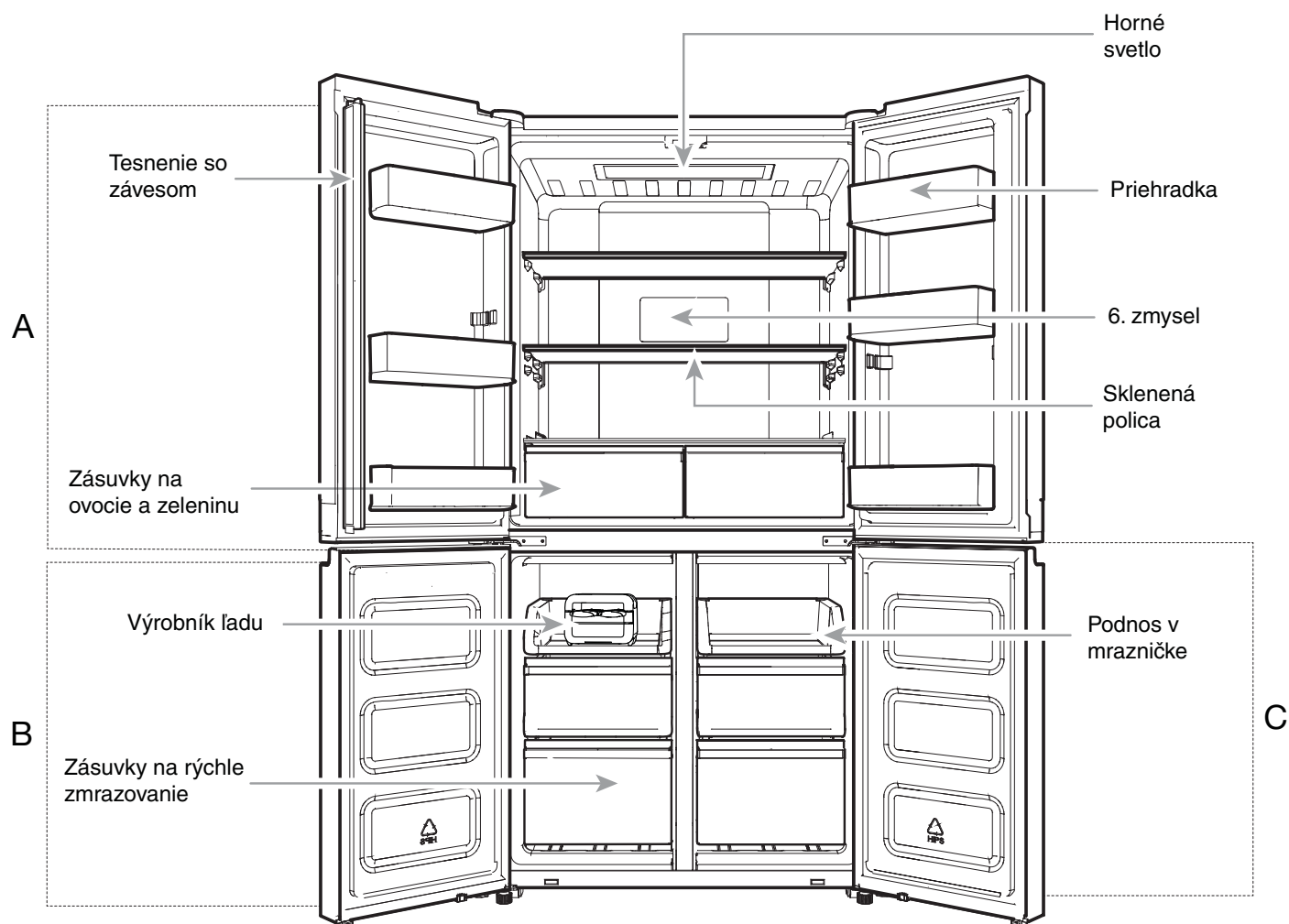
- Odmontujte dvere.
- Police nechajte na mieste, aby sa deti nedostali ľahko do vnútra.



#### **Dôležité informácie, ktoré by ste mali vedieť o zneškodňovaní a likvidácii chladív:**

Chladničku zlikvidujte v súlade s požiadavkami federálnych a miestnych predpisov. Chladivá musí z okruhu vypustiť poverený odborník na prácu s chladiacimi médiami predpísanými postupmi.

## DIELY A VLASTNOSTI



- A . Chladnička
- B . Mraznička
- C . Flexibilná mraznička (iba na modeloch WQ9 B1L, 6WM591NIHAS a WQ70900SXX)

# INŠTALAČNÉ POKYNY

## Začíname

### KONTROLNÝ ZOZNAM PRI INŠTALÁCII

#### ✓ Elektrické napájanie

## !VAROVANIE



### Nebezpečenstvo zásahu elektrickým prúdom

Zapojte do uzemnenej zásuvky.

Neodstraňujte kolík uzemnenia.

Nepoužívajte adaptér.

Nepoužívajte predlžovací kábel.

Nedodržanie uvedených pokynov môže spôsobiť smrť, požiar alebo zásah elektrickým prúdom.

- Chladničku zapojte do uzemnenej zásuvky.

#### ✓ Dvere

- Ak treba dvere počas inštalácie odstrániť, pozrite si časti „Odstránenie a opätovné nasadenie dverí chladničky“ a „Odstránenie a opätovné nasadenie dverí mrazničky“.
- Dvere dokonale tesnia.
- Chladnička je vo vodorovnej polohe. Upravte vyrovnávacie nožičky, aby stále pevne na dlážke.
- Dvere sú v hornej časti zarovnané. (Podľa potreby použite funkciu na zarovnanie dverí).

#### ✓ Konečné kontroly

- Odstráňte všetok materiál použitý pri preprave.
- Ovládače teploty nastavte do odporúčanej polohy.
- Pokyny a ostatnú dokumentáciu si odložte.
- Aby ste mohli získať kompletnejšie služby a pomoc, zaregistrujte svoj spotrebič na webovej stránke [www.whirlpool.eu/register](http://www.whirlpool.eu/register).

## Chladničku vybaľte

## !VAROVANIE

### Ohrozenie nadmernou hmotnosťou spotrebiča

Pri premiestňovaní a inštalácii chladničky musia spolupracovať dve osoby alebo viac osôb.

Nedodržanie tohto pokynu môže spôsobiť zranenie chrbta alebo iné zranenie.

### Premiestnenie chladničky na miesto inštalácie

Vyžadujte s minimálna šírka dverí v miestnosti 838 mm (33"). Ak je otvor vašich dverí iba 914 mm (36") alebo menej, budete musieť dvere chladničky, závesy a jej zásuvku odmontovať.

Bez rozdielu na šírku otvoru dverí v miestnosti premiestňujte chladničku cez dvere bokom.

### Pri premiestňovaní chladničky:

Vaša chladnička je ťažká. Pri premiestňovaní chladničky kvôli čisteniu alebo oprave zakryte dlážku lepenkou alebo kartónom, aby ste ju nepoškodili. Pri premiestňovaní chladničky ju ťahajte priamo von. Nenakláňajte ju, ani ju neprekĺpajte z jedného rohu na druhý, aby „kráčala“, mohli by ste tak poškodiť dlážku.

### Odstráňte obal

- Pred zapnutím chladničky odstráňte pásku a zvyšky lepidla. Na lepidlo naneste malé množstvo umývacieho prípravku na riad a šúchajte prstami. Poutierajte utierkou navlhčenou teplou vodou a osušte.
- Na odstránenie pásky alebo lepidla nepoužívajte ostré nástroje, nedrhňte ich alkoholom, horľavými tekutinami ani abrazívnymi čistidlami. Tieto produkty môžu poškodiť povrch vašej chladničky.
- Zlikvidujte alebo recyklujte všetky obalové materiály.

### Pred použitím vyčistite

Po odstránení všetkých obalových materiálov a pred použitím chladničky vyčistite jej vnútro. Pokyny na čistenie nájdete v časti „Starostlivosť o chladničku“.

### Dôležitá informácia, ktorú by ste mali vedieť o sklenených policiach a krytoch:

Neumývajte sklenené police ani kryty teplou vodou, kým sú studené. Police a kryty vystavené náhlym zmenám teploty alebo úderom či nárazom môžu prasknúť.

Temperované sklo je navrhnuté tak, aby sa roztrieštilo na malé kúsky. Je to normálne. Sklenené police a kryty sú ťažké. Pri ich vyberaní ich držte oboma rukami, aby vám nespadli.

## Požiadavky na umiestnenie

### VAROVANIE



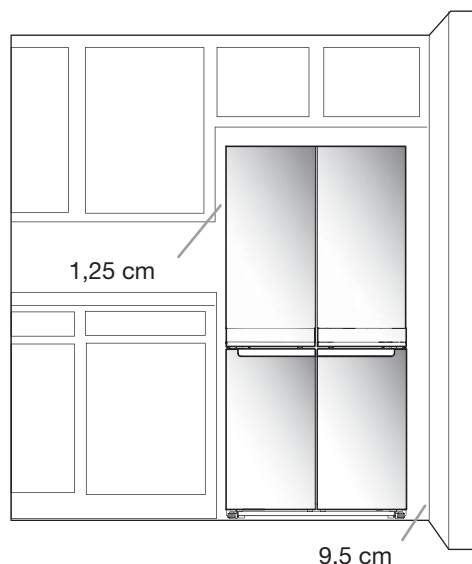
#### Nebezpečenstvo výbuchu

Horľavé a prchavé materiály, ako benzín, nenechávajú v blízkosti chladničky.

Nedodržanie týchto pokynov môže spôsobiť smrť, výbuch alebo požiar.

Na zaistenie správnej ventilácie chladničky musíte na každej strane a na vrchu nechať priestor 1,25 cm. Za zadnou stenou chladničky nechajte 5 cm priestor. Ak je vaša chladnička vybavená výrobnikom ľadu, nechajte za zadnou stenou ďalší priestor na vodné prípojky. Pri inštalácii chladničky v blízkosti pevnej steny nechajte medzi chladničkou a stenou priestor minimálne 9,5 cm, aby sa dali otvoriť dvere chladničky.

**POZNÁMKA:** Táto chladnička je určená na umiestnenie v miestnosti s rozsahom teplôt od minima 10 °C po maximum 43 °C. Uprednostňujte miestnosti s teplotným rozsahom 15 °C až 32 °C, pri ktorom má spotrebič nižšiu spotrebu elektriny a ktorý zaisťuje lepšie chladenie. Neodporúčame vám inštalovať chladničku v blízkosti zdrojov tepla, ako sú rúra alebo radiátor.



## Požiadavky na elektrické zapojenie

### VAROVANIE



#### Nebezpečenstvo zásahu elektrickým prúdom

Zapojte do uzemnenej zásuvky.

Neodstraňujte kolík uzemnenia.

Nepoužívajte adaptér.

Nepoužívajte predlžovací kábel.

Nedodržanie uvedených pokynov môže spôsobiť smrť, požiar alebo zásah elektrickým prúdom.

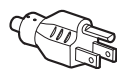
**DÔLEŽITÁ POZNÁMKA:** Inštaláciu a elektrické zapojenie musí urobiť kvalifikovaný technik podľa pokynov výrobcu a podľa platných miestnych bezpečnostných predpisov.

- Chladnička je navrhnutá, aby bola napájaná zo samostatného okruhu elektrickej siete s napätím 220 – 240 Volt, 10 A, 50/60 Hz.
- Uistite sa, že napätie uvedené na výrobnom štítku zodpovedá napätiu elektrickej siete vo vašej domácnosti.
- Spotrebič sa bude musieť dať odpojiť od elektrického napájania vytiahnutím prístupnej zástrčky alebo pomocou dvojpólového spínača nainštalovaného medzi elektrickou zásuvkou a spotrebičom.
- Ak je poškodený elektrický napájací kábel, musíte ho dať vymeniť u výrobcu, v autorizovanom servisnom stredisku alebo to musí urobiť kvalifikovaný elektrikár, aby sa predišlo nebezpečenstvu zásahu elektrickým prúdom.

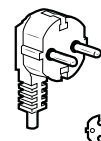
Pred premiestnením svojej chladničky na konečné miesto sa musíte uistiť o správnom elektrickom zapojení:

#### Odporúčaný spôsob uzemnenia

Vyžaduje sa sieť so striedavým napätím 220 – 240 Volt, 50 Hz, 220 Volt, 60 Hz alebo 230/240 Volt, 50 Hz, s 10 A poistkou a s uzemnením.



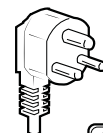
Typ B



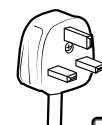
Typ E a F



Typ I



Typ M



Typ G



### Pre Austráliu a Nový Zéland:

Váš spotrebič bol vyrobený tak, aby spĺňal všetky austrálske normy a predpisy.

Niektoré poznámky v inštalačných pokynoch sa môžu vzťahovať na požiadavky na elektrické zapojenie v iných krajinách, preto venujte týmto špecifickým poznámkam mimoriadnu pozornosť.

Váš spotrebič musíte zapojiť iba do uzemnenej zásuvky so striedavým napätím 230/240 Volt, 50 Hz s 10 A.

### Požiadavky na elektrické zapojenie (Iba Veľká Británia a Írsko)

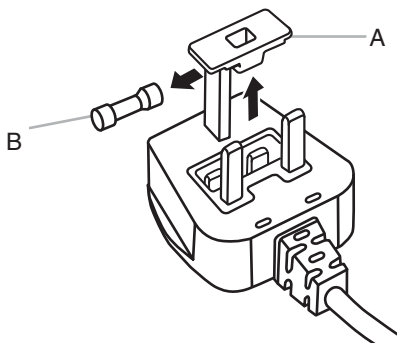
**DÔLEŽITÁ POZNÁMKA:** Táto chladnička musí byť uzemnená.

#### Výmena poistky

Ak je elektrický napájací kábel chladničky vybavený zástrčkou typu BS1363A s 13 A poistkou, pri výmene poistky v tomto druhu zástrčky sa smie použiť výhradne poistka schválená podľa A.S.T.A., vhodná pre typ BS 1362, pričom treba dodržať nasledujúci postup:

1. Vyberte kryt poistky (A) a poistku (B).
2. Vsadte náhradnú 13 A poistku do krytu poistky.
3. Poistku aj jej kryt znovu vsaďte do zástrčky.

**DÔLEŽITÁ POZNÁMKA:** Po výmene poistky musíte kryt poistky znovu upevniť na miesto. Ak by sa kryt poistky stratil, zástrčku nesmiete používať, kým znovu nenamontujete správny kryt. Správny náhradný diel je identifikovaný farebnou vložkou alebo „slovom s uvedením farby“ na základni zástrčky. Náhradné kryty poistky sú k dispozícii v obchode s elektrickým tovarom.



A. Kryt poistky  
B. Poistka

### Pre Írsku republiku (iba):

Väčšinou platia informácie uvedené pre Veľkú Britániu, ale v tomto prípade sa používa aj tretí typ zástrčky a zásuvky, typ s 2 kolíkmi a uzemneným na boku.

#### Zásuvka/zástrčka (platí pre obe krajiny):

Ak namontovaná zástrčka nie je vhodná pre vašu zásuvku elektrickej siete, kontaktujte servisné stredisko, kde vám poskytnú ďalšie informácie. Nepokúšajte sa vymeniť zástrčku sami.

Tento postup smie urobiť iba kvalifikovaný technik podľa pokynov výrobcu a v súlade s požiadavkami platných bezpečnostných predpisov.

### Teplota

Táto chladnička je navrhnutá na prevádzku v miestach, kde teplota dosahuje nasledujúce rozsahy, v súlade s klimatickou triedou uvedenou na výrobnom štítku. Dlhodobé pôsobenie teplôt mimo špecifikovaného rozsahu môže nepriaznivo ovplyvniť fungovanie chladničky.

**POZNÁMKA:** Odporúčame vám, aby ste chladničku neinštalovali blízko zdrojov tepla, ako sú rúra alebo radiátor.

Klimatická trieda	T. prostr. (°C)	T. prostr. T. (°F)
SN	10 až 32	50 až 90
N	16 až 32	61 až 90
ST	16 až 38	61 až 100
T	16 až 43	61 až 110

## Odmontovanie a opätovná montáž dverí chladničky

**POZNÁMKA:** Odmerajte si šírku otvoru dverí, aby ste zistili, či na dopravenie chladničky do miestnosti musíte odmontovať jej dvere alebo nie. Ak by bolo nevyhnutné dvere odmontovať, dodržte nasledujúce pokyny.

**DÔLEŽITÁ POZNÁMKA:** Ak bola chladnička už nainštalovaná a teraz ju sťahujete mimo domu, pred odmontovaním dverí vypnite ovládač chladničky. Odpojte chladničku od elektrickej siete alebo vypnite elektrické napájanie. Vyberte potraviny a nastaviteľné priečky z dverí chladničky.

Pred odmontovaním dverí si pripravte potrebné nástroje a prečítajte si všetky pokyny.

**POTREBNÉ NÁSTROJE:** 6 mm nástrčkový kľúč, 5 mm nástrčkový kľúč a krížový skrutkovač č. 2.

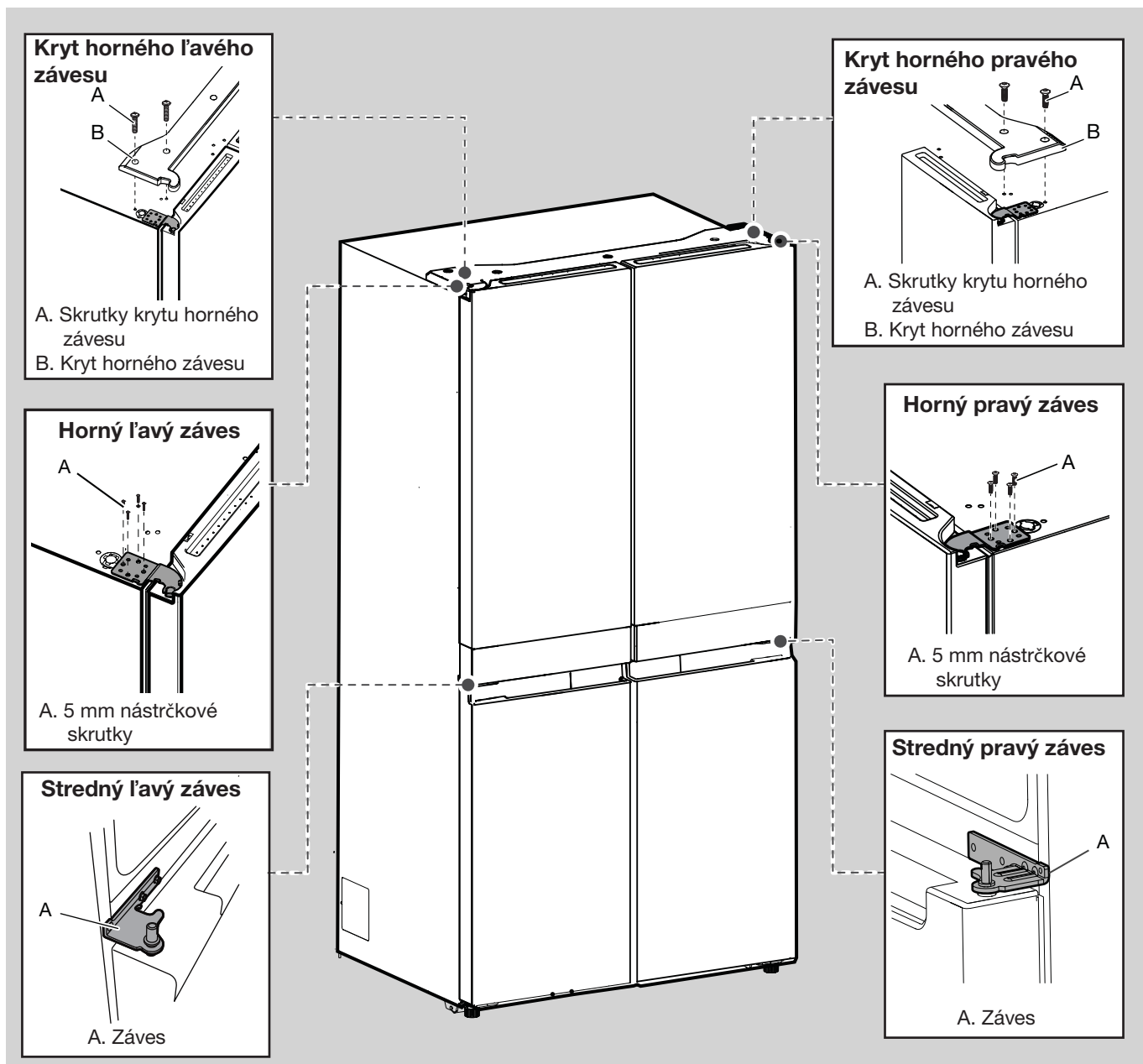


### VAROVANIE

Nebezpečenstvo zásahu elektrickým prúdom

Pred odmontovaním dverí odpojte elektrické napájanie.

Nedodržanie týchto pokynov môže spôsobiť smrť alebo zásah elektrickým prúdom.



## VAROVANIE

**Ohrozenie nadmernou hmotnosťou spotrebiča**

Pri zdvíhaní dverí chladničky musia spolupracovať dve osoby alebo viac osôb.

Nedodržanie tohto pokynu môže spôsobiť zranenie chrbta alebo iné zranenie.

### Odmontujte dvere chladničky

## VAROVANIE



**Nebezpečenstvo zásahu elektrickým prúdom**

Pred odmontovaním dverí odpojte elektrické napájanie.

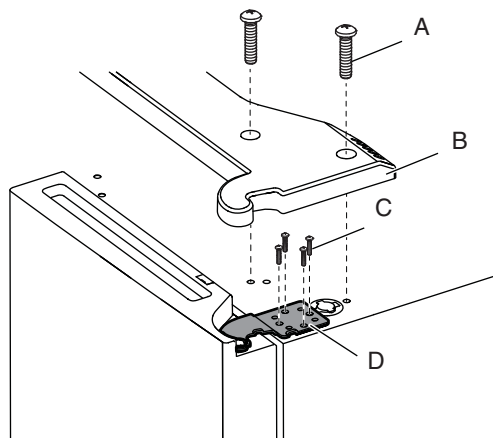
Nedodržanie týchto pokynov môže spôsobiť smrť alebo zásah elektrickým prúdom.

### Odmontujte dvere na pravej strane

1. Odpojte chladničku od elektrickej siete alebo vypnite elektrické napájanie.
2. Nechajte dvere chladničky zatvorené, kým nebudete pripravení na ich zdvihnutie a uvoľnenie od skrine chladničky.

**POZNÁMKA:** Počas demontáže závesov dvere chladničky podopierajte. Počas práce nedovoľte, aby celá váha dverí spočívala iba na magnetoch tesnenia dverí.

3. Krížovým skrutkovačom odmontujte kryt horného závesu.
4. Pomocou 5 mm nástrčkového kľúča vyberte štyri skrutky horného závesu a odložte si ich.



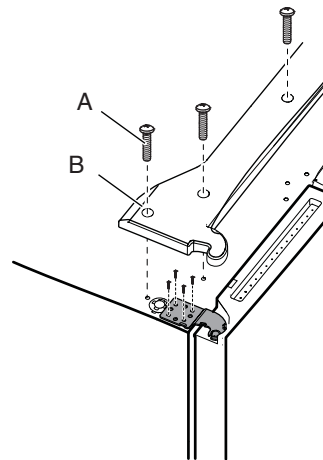
- A. Skrutka krytu horného závesu      C. 5 mm nástrčkové skrutky  
B. Kryt horného závesu              D. Horný záves

5. Zdvihnite dvere chladničky z čapu stredného závesu. Horný záves sa odpojí spolu s dverami.

### Odmontujte dvere na ľavej strane

**DÔLEŽITÁ POZNÁMKA:** Káblové zapojenie rozhrania pre používateľa prechádza závesom ľavých dverí, preto ho musíte odpojiť ešte pred odmontovaním dverí.

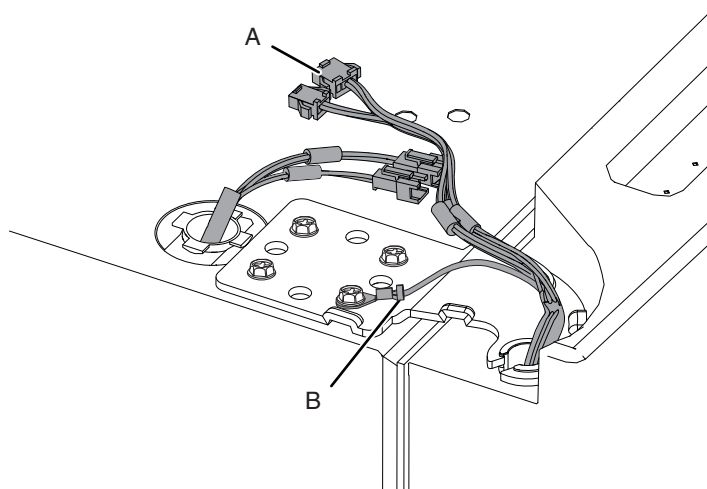
1. Krížovým skrutkovačom odmontujte kryt horného závesu.



- A. Skrutka krytu horného závesu  
B. Kryt horného závesu

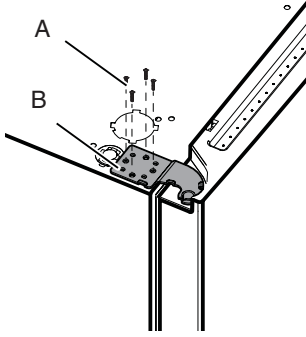
2. Odpojte dve časti spojky s vodičmi, ktoré sú na vrchu závesu dverí.

- Uchopte každú stranu spojky s vodičmi. Ľavým palcom zatlačte západku a potiahnite časti spojky od seba.



- A. Spojka s elektrickými vodičmi  
B. Konektor na uzemnenie

- Pomocou 5 mm nástrčkového kľúča odskrutkujte štyri vnútorné skrutky horného závesu a odložte si ich.



A. 5 mm nástrčkové skrutky  
B. Horný záves

**POZNÁMKA:** Počas demontáže závesov dvere chladničky podopierajte. Počas práce nedovoľte, aby celá váha dverí spočívala iba na magnetoch tesnenia dverí.

- Zdvihnite dvere chladničky z čapu spodného závesu. Horný záves sa odpojí spolu s dverami.

**POZNÁMKA:** Pri premiestňovaní chladničky cez dvere bude možno nevyhnutné odstrániť spodné závesy a rozmontovať zostavu nožičiek.

- Ak by to bolo naozaj nevyhnutné, použite na odstránenie stredného závesu 6 mm nástrčkový kľúč a krížový skrutkovač č. 2.

#### Opätovná montáž dverí na pravej strane

- Nasadte pravé dvere na čap stredného závesu.
- Vsuňte čap horného závesu do otvoru na vrchu dverí chladničky.
- Pomocou 5 mm nástrčkového kľúča upevnite záves ku skrini chladničky. Skrutky neťahujte úplne.

#### Opätovná montáž dverí na ľavej strane

- Nasadte ľavé dvere na čap stredného závesu.
- Pomocou 5 mm nástrčkového kľúča upevnite záves ku skrini chladničky. Skrutky neťahujte úplne.
- Znovu zapojte elektrické vodiče.
  - Zatlačením spojte dva diely elektrickej spojky.
  - Zapojte uzemňovací vodič ku skrutke závesu.

#### Konečné kroky

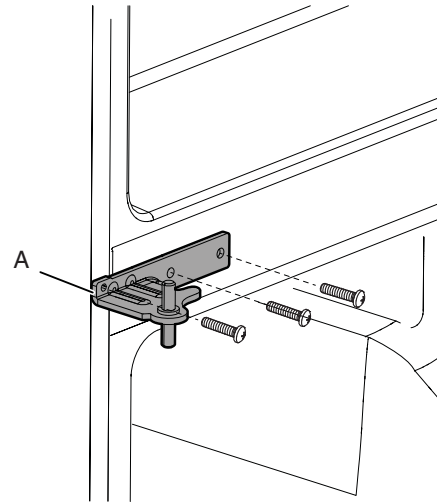
- Úplne utiahnite osem 5 mm nástrčkových skrutiek.
- Namontujte na miesto kryty závesov.

## Odmontovanie a opätovná montáž dverí mrazničky/flexibilnej mrazničky

- Nechajte dvere mrazničky zatvorené, kým nebudete pripravení na ich zdvihnutie a uvoľnenie od skrine.

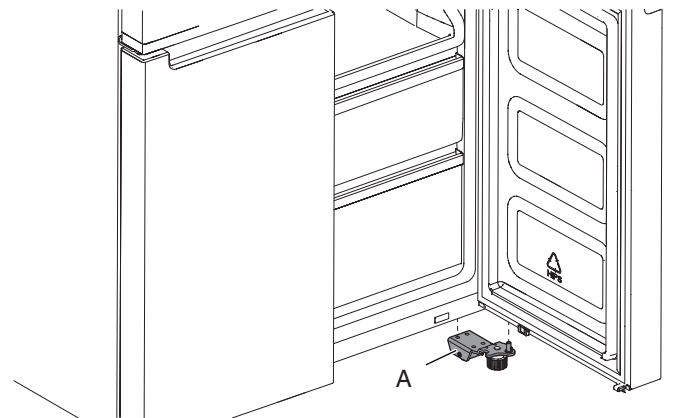
**POZNÁMKA:** Počas demontáže závesov dvere mrazničky podopierajte. Počas práce nedovoľte, aby celá váha dverí spočívala iba na magnetoch tesnenia dverí.

- Pomocou krížového skrutkovača č. 2 a 6 mm nástrčkového kľúča odmontujte stredný záves od skrine.



A. Stredný záves

- Zdvihnite dvere mrazničky z čapu spodného závesu.



A. Spodný záves

## VAROVANIE



### Nebezpečenstvo zásahu elektrickým prúdom

Zapojte do uzemnenej zásuvky.

Neodstraňujte kolík uzemnenia.

Nepoužívajte adaptér.

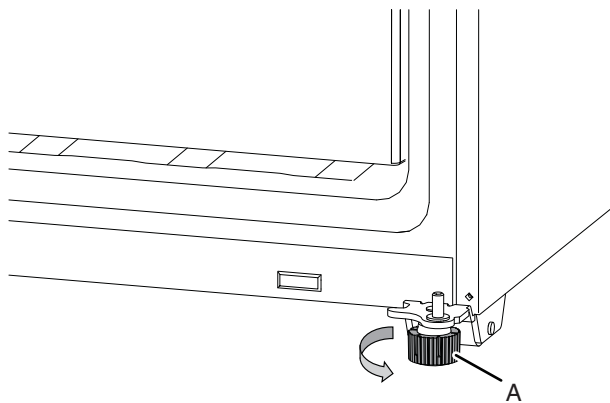
Nepoužívajte predlžovací kábel.

Nedodržanie uvedených pokynov môže spôsobiť smrť, požiar alebo zásah elektrickým prúdom.

1. Zapojte do uzemnenej zásuvky.
2. Znovu namontujte a vložte všetky komponenty spotrebiča a potraviny do zásuviek.

## Vyrovnanie chladničky do vodorovnej polohy

1. Premiestnite chladničku na konečné miesto.
2. Rukou otočte blokovacie nožičky. Otočte ich proti smeru hodinových ručičiek, kým sa valčeky nezdvihnú, aby neboli v kontakte s dlážkou a kým nebudú blokovacie nožičky pevne stáť na dlážke. Tým sa zabráni pohybu chladničky pri otvorení dverí.



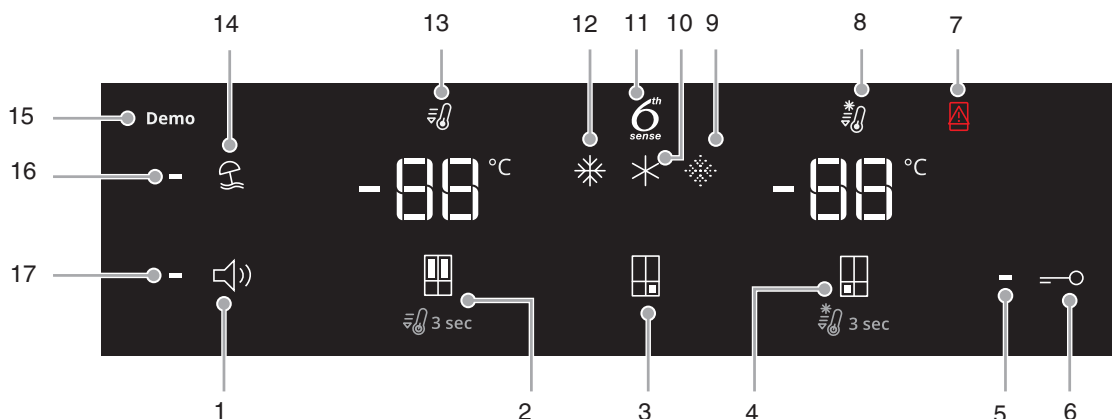
A. Blokovacie nožičky

**DÔLEŽITÁ POZNÁMKA:** Ak by boli potrebné ďalšie nastavenia blokovacích nožičiek, musíte otočiť obe blokovacie nožičky rovnako, aby sa zachovala vodorovná úroveň chladničky.

3. Na kontrolu vodorovnej polohy chladničky použite vodováhu a skontrolujte polohu sprava doľava a spredu dozadu.

## Použitie ovládačov

Dotykové ovládače sú na ľavých dverách chladničky. Na ovládacom paneli sú informácie o rôznych tlačidlách a indikátoroch. Indikátory teploty chladničky a mrazničky zobrazujú posledne nastavenú teplotu.



1. Zapnutie/vypnutie zvuku tlačidla
2. Tlačidlo teploty chladničky (funkcia rýchleho chladenia sa aktivuje, ak podržíte tlačidlo 3 sekundy)
3. Tlačidlo predvoľby teploty flexibilnej mrazničky (iba na modeloch WQ9 B1L, 6WM591NIHAS a WQ70900SXX)
4. Tlačidlo teploty mrazničky (funkcia rýchleho zmrazenia sa aktivuje, ak podržíte tlačidlo 3 sekundy)
5. Indikátor zámky klávesov
6. Tlačidlo zámky klávesov
7. Indikátor otvorených dverí
8. Indikátor rýchleho zmrazenia
9. **Indikátor** nízkeho výkonu zmrazovania (iba na modeloch WQ9 B1L, 6WM591NIHAS a WQ70900SXX)
10. Indikátor mierneho zmrazovania (iba na modeloch WQ9 B1L, 6WM591NIHAS a WQ70900SXX)
11. Indikátor pre 6. zmysel
12. Indikátor intenzívneho zmrazovania (iba na modeloch WQ9 B1L, 6WM591NIHAS a WQ70900SXX)
13. Indikátor rýchleho zmrazovania
14. Tlačidlo dovolenkového režimu
15. Indikátor ukážkového režimu (iba na modeloch WQ9 B1L, 6WM591NIHAS a WQ70900SXX)
16. Indikátor dovolenkového režimu
17. Indikátor zvuku

Ovládací panel sa po jednej minúte bez stlačenia akéhokoľvek tlačidla automaticky vypne. Ak chcete ovládací panel zapnúť, stlačte ľubovoľný kláves.

### - 88 Zobrazenie a úprava bodov nastavenia teploty

#### Úprava teploty oddelenia chladničky a mrazničky:

S cieľom uľahčiť vám obsluhu spotrebiča, sú ovládače chladničky a mrazničky prednastavené vo výrobe.

Pri prvej inštalácii vašej chladničky sa uistite, že ovládače ostali nastavené v polohe odporúčaných nastavení. Odporúčané body nastavenia z výroby sú 3 °C pre chladničku a -18 °C pre mrazničku.

Stláčaním tlačidla teploty chladničky alebo mrazničky budete prepínať medzi bodmi nastavenia teploty v stupňoch Celzia (°C).

#### DÔLEŽITÁ POZNÁMKA:

- Pred vložení potravín do chladničky počkajte 24 hodín. Ak potraviny vložíte do chladničky pred úplným ochladením, potraviny by sa mohli pokaziť.  
**POZNÁMKA:** Úprava bodov nastavenia na nižšie ako odporúčané chladenie nebude znamenať, že oddelenia sa vychladia rýchlejšie.
- Ak je teplota v chladničke alebo v mrazničke príliš vysoká alebo veľmi nízka, pred úpravou ovládačov najprv skontrolujte otvory na prívod vzduchu, aby ste sa uistili, že nie sú zablokované.
- Odporúčané nastavenia by mali vyhovovať normálnemu používaniu v domácnosti. Ovládače sú nastavené správne, ak je mlieko alebo ovocná šťava vychladená podľa vašich požiadaviek a zmrzlina dostatočne zmrazená.  
**POZNÁMKA:** V priestoroch ako garáž, pivnica alebo veranda môže byť vyššia vlhkosť alebo mimoriadne vysoké teploty. Pri adaptácii podmienok pre uvedené prostredia nemusíte nastavovať teplotu mimo odporúčaných teplotných rozsahov.
- Medzi jednotlivými nastaveniami počkajte aspoň 24 hodín. Pred ďalšou úpravou teploty nastavenie teploty ešte raz skontrolujte.

### Ovládač <sup>6th</sup> Sense na zachovanie čerstvosti a mrazenia

Senzor 6. SENSE na zachovanie čerstvosti zaisťuje presnú kontrolu stálej teploty, vhodnej na dlhodobé a čo najprirodzenejšie uchovanie čerstvých potravín. Po detekcii zmeny teploty senzor aktivuje kompresor, ktorý v krátkej dobe zaisťuje obnovu pôvodnej teploty.

Senzor 6. SENSE mrazničky vďaka inováčnému systému na riadenie teploty minimalizuje výkyvy teploty v mrazničke. Výskyt omrzlín na produktoch je nižší, čím sa zachováva kvalita a farba potravín.

#### ✱ ✱ ✱ Nastavenie flexibilného zmrazovania (iba na modeloch WQ9 B1L, 6WM591NIHAS a WQ70900SXX)

Funkcia flexibilného zmrazovania umožňuje prepínať medzi predvolenými teplotami oddelenia s flexibilným zmrazovaním.

Symbol	Funkcia	Teplota
✱	Tradičná mraznička	-18 °C
✱	Mierny výkon mrazničky	-12 °C
✱	Nízky výkon mrazničky	-7 °C

\* Ak chcete aktivovať/vypnúť najchladnejšie nastavenie (-20 °C), podržte stlačené tlačidlo predvoľby flexibilného zmrazovania 3 sekundy.

## Úprava nastavenia viacerých teplôt mrazničky

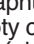

- Tradičná mraznička (-18 °C): Už zmrazené potraviny a čerstvé potraviny (max 12 mesiacov)
- Mierny výkon mrazničky (-12 °C): Už zmrazené potraviny (max. 1 mesiac)
- Nízky výkon mrazničky (-7 °C): Už zmrazené potraviny (max. 1 týždeň)

Pri úprave bodov nastavenia teploty použite ako príručku nasledujúcu schému:

STAV	ÚPRAVA TEPLOTY
Chladnička je príliš studená	Nastavte teplotu v chladničke o 1° vyššie
Teplota v chladničke je vysoká	Nastavte teplotu v chladničke o 1° nižšie
Mraznička je príliš studená	Nastavte teplotu v mrazničke o 1° vyššie
Teplota v mrazničke príliš vysoká/ málo ľadu	Nastavte teplotu v mrazničke o 1° nižšie


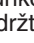
## Rýchle vychladenie

Funkcia rýchleho vychladenia je užitočná v obdobiach intenzívneho využívania chladničky, pri vložení veľkého množstva potravín alebo pri dočasnom zvýšení teplôt v miestnosti.

- Ak chcete zapnúť funkciu rýchleho vychladenia, stlačte a podržte tlačidlo teploty chladničky  3 sekundy. Keď je funkcia zapnutá, svieti ikona rýchleho vychladenia. Funkcia rýchleho vychladenia ostane zapnutá 2 hodiny, pokiaľ ju nevypnete manuálne.
- Ak chcete funkciu rýchleho vychladenia vypnúť manuálne, stlačte a podržte tlačidlo teploty chladničky  3 sekundy. Po vypnutí funkcie ikona rýchleho vychladnutia zhasne.
- Úpravou teploty chladničky sa funkcia rýchleho vychladenia automaticky vypne.

## Rýchle zmrazenie

Množstvo čerstvých potravín (v kg), ktoré sa dá zmraziť za 24 hodín, je indikované na výrobnom štítku spotrebiča.

- Tlačidlo rýchleho zmrazenia  stlačte na 3 sekundy (kým sa nerozsvieti kontrola rýchleho zmrazenia) 24 hodín pred vložení čerstvých potravín do mrazničky. Po vložení čerstvých potravín do mrazničky zvyčajne stačí na zmrazenie 24 hodín. Po 50 hodinách sa funkcia rýchleho zmrazenia automaticky vypne.
- Ak chcete funkciu rýchleho zmrazenia vypnúť manuálne, stlačte a podržte tlačidlo teploty mrazničky  3 sekundy. Ikona rýchleho zmrazenia zhasne.
- Úpravou teploty mrazničky sa funkcia rýchleho zmrazenia automaticky vypne.

## Dovolenský režim

Tento režim je navrhnutý tak, aby spotrebič neplytval energiou, pokiaľ je mimo bežnej prevádzky (napríklad, kým ste na dovolenke).

Zvolením tejto funkcie sa teplota v oddelení chladničky (OCH) automaticky nastaví na najvyššiu teplotu v oddelení.

- Ak chcete zapnúť dovolenský režim, stlačte tlačidlo režimu, kým sa na displeji nerozsvieti kontrolka dovolenského režimu.
- Ak chcete dovolenský režim ukončiť, stlačte tlačidlo režimu, kým na displeji nezhasnú ikony režimu.
- Úpravou teploty chladničky sa funkcia dovolenského režimu automaticky vypne.

**DÔLEŽITÁ POZNÁMKA:** Ak zvolíte uvedený režim, v oddelenia chladničky musíte vybrať všetky potraviny a nápoje.

## Zapnutie/vypnutie zvuku

Stlačením tlačidla zapnete/vypnete zvuk potvrdenia úkonu.

### Zámok klávesov

- Funkcia zámku klávesov sa aktivuje, ak stlačíte a 3 sekundy podržíte tlačidlo s zámkom.
- Ak chcete zámku klávesov vypnúť, stlačte a podržte tlačidlo zámku 3 sekundy.

Funkcia zámku zabráni akejkoľvek interakcii s ovládacím panelom, kým používateľ ovládací panel neodoblokuje. Táto funkcia bráni neželanej zmene nastavení.

### Ukážkový režim Demo (iba na modeloch WQ9 B1L, 6WM591NIHAS a WQ70900SXX)


Tento režim sa používa, kým je chladnička vystavená v predajni alebo aj chcete vypnúť chladenie a všetky ostatné funkcie (okrem vnútorného osvetlenia).

Ukážkový režim môžete zapnúť pred odchodom na dlhú dovolenku. Pozrite si časť „Dovolenka a opatrenia pri stahovaní“, kde nájdete postup pri prepnutí chladničky do tohto režimu na dlhú dobu.

- Ak zapnete ukážkový režim, na displeji sa rozsvieti ikona „Demo“.
- Ukážkový režim Demo aktivujete alebo vypnete, ak súčasne stlačíte tlačidlá na zapnutie alebo vypnutie zvuku a zamknutie displeja a podržíte ich 3 sekundy.

## Doplnkové funkcie

### Alarm pri otvorených dverách

- Funkcia alarmu pri otvorených dverách aktivuje zvukový alarm a blikanie ikony „Otvorené dvere“ , keď ostanú niektoré zo štvoro dverí ostanú otvorené 2 minúty alebo dlhšie.
- Alarm sa bude opakovať vždy po 5 minútach. Alarm sa vypne, ak zatvoríte všetky dvere.

**POZNÁMKA:** Pokiaľ potrebujete nechať dvere otvorené, napríklad pri čistení vnútra chladničky, môžete zvuk alarmu vypnúť dotknutím sa ľubovoľného tlačidla na ovládacom paneli. Zvuk alarmu sa dočasne vypne, ale ikona otvorených dverí ostane na ovládacom paneli.

## Osvetlenie chladničky

Chladnička má k dispozícii interné svetlo, ktoré sa rozsvieti pri otvorení dverí.

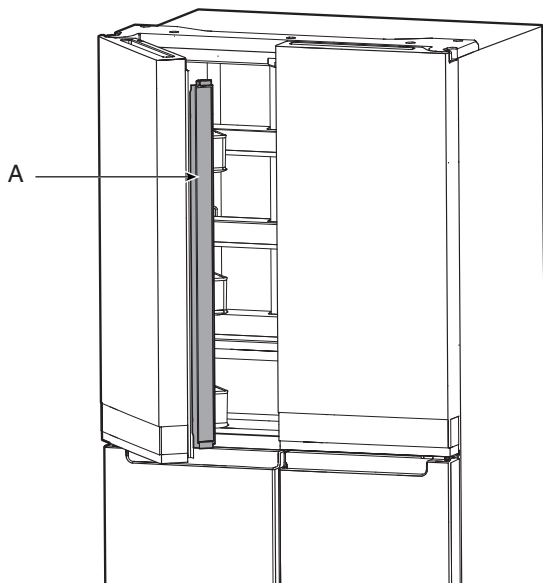
**POZNÁMKA:** Osvetlenie má LED žiarovky, ktoré netreba vymieňať. Ak sa LED svetlo pri otvorení dverí nerozsvieti, zavolajte servis, aby svetlo vymenili.

# POUŽÍVÁNIE CHLADNIČKY

## Otvorenie a zatvorenie dverí

Na spotrebiči sú dvoje dvere oddelenia chladničky. Dvere sa dajú otvoriť a zatvoriť samostatne alebo spolu. Na ľavých dverách chladničky je vertikálne tesnenie so závesom.

- Keď sú ľavé dvere otvorené, tesnenie so závesom sa automaticky ohne dovnútra, aby neprekážalo v pohybe.
- Keď sú oboje dvere zatvorené, tesnenie so závesom automaticky vytvára tesnenie medzi oboma dverami.

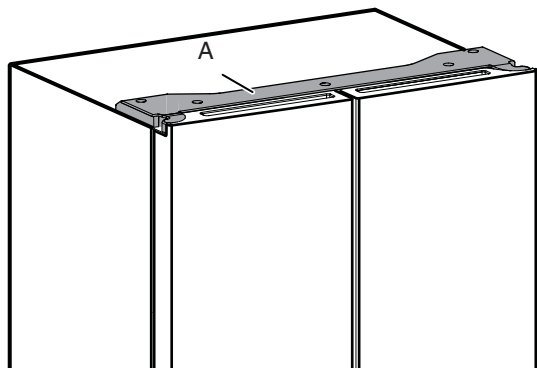


A. Tesnenie so závesom

Spínač dverí oddelenia chladničky je na hornom ľavom a pravom kryte závesu.

- Na mrazničke a na oddelení s viacerými teplotnými zónami je spínač dverí umiestnený v spodnej strednej priečke dverí.
- Spínač dverí používa na detekciu otvorenia/zatvorenia dverí magnet.
- Uistite sa, že vo vzdialenosti 7,62 cm od veka závesu nie je žiadny magnet ani žiadne elektronické zariadenie (reproduktor, Coolvox® a pod.).

**POZNÁMKA:** Ak spínač nezaznamená otvorenie dverí, svetlo sa nerozsvieti.



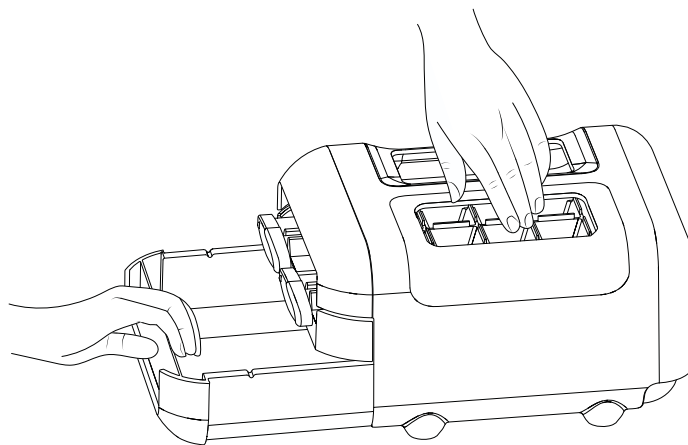
A. Kryt závesu

## Výrobník ľadu

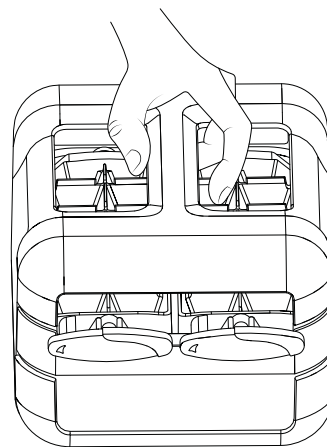
- Ak chcete pripraviť ľad, naplňte zásobník na ľad čistou vodou a vložte manuálny výrobnik ľadu na hornú policu v mrazničke. Počkajte, kým voda nezmrzne a po príprave ľadu otočte gombíky v smere hodinových ručičiek, aby sa kocky uvoľnili zo zásobníka.



- Zásobník na ľad mierne nadvihnite a vytiahnite, aby ste získali prístup k ľadovým kockám.



Ak nepotrebuje ľadové kocky, môžete zostavu manuálneho výrobníka ľadu z mrazničky vybrať, aby sa zväčšil priestor mrazničky.



## Skladovanie potravín

### Skladovanie vajčiek

Odporúča sa vajčka skladovať pri nemennej teplote, udržia sa tak čerstvé dlhšie, preto je najlepšie uskladniť ich v chladničke na strednej polici.



# POLICE, ZÁSObNÍKY A ZÁSUVKY

## Dôležitá informácia, ktorú by ste mali vedieť o sklenených policiach a krytoch:

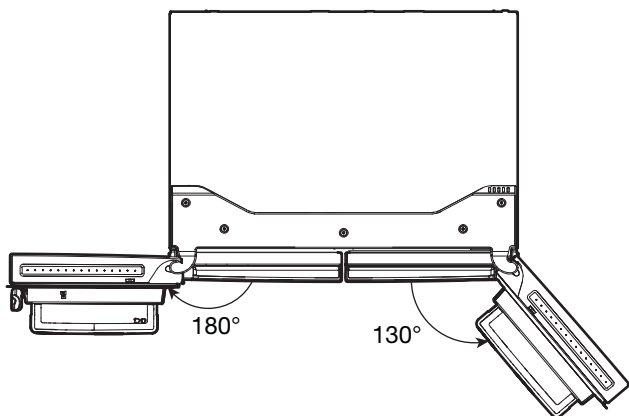
Neumývajte sklenené police ani kryty teplou vodou, kým sú studené. Police a kryty vystavené náhlym zmenám teploty alebo úderom či nárazom môžu prasknúť.

Temperované sklo je navrhnuté tak, aby sa roztrieštilo na malé kúsky. Je to normálne. Sklenené police a kryty sú ťažké. Pri ich vyberaní ich držte oboma rukami, aby vám nespadli.

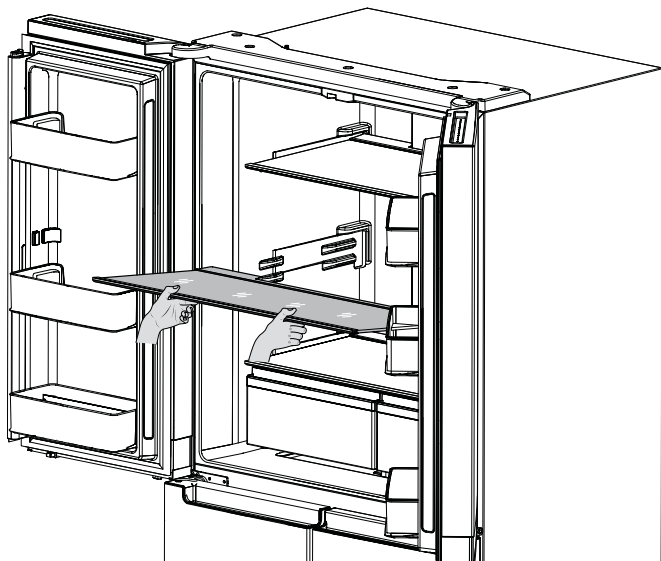
## Úprava výšky police

Výška police sa dá nastaviť zmenou ich umiestnenia z dolného držiaka na horný a naopak.

- Otvorte dvere na pravej strane do úplne otvorenej polohy.
- Otvorte dvere na ľavej strane do úplne otvorenej polohy a potom dvere nadvihnite, aby sa otvorili na 180°.



- Policu vyberte z chladničky a vložte ju do želanej polohy v oddelení.



- Skontrolujte, či polica správne dosadla na držiaky.

## Police a regály

Police vo vašej chladničke sa dajú nastaviť tak, aby vyhovovali vašim osobným potrebám na ukladanie potravín.

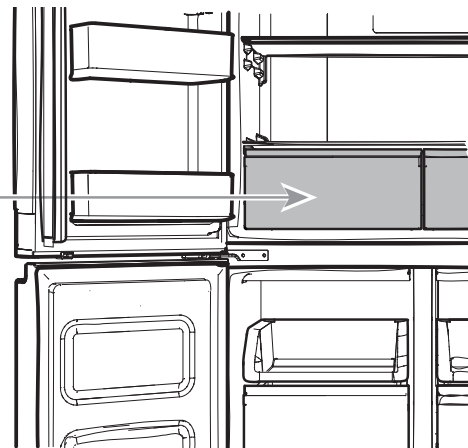
Skladovanie podobných druhov potravín vedľa seba vo vašej chladničke a úprava polic tak, aby vyhovovali rôznym výškam uskladnených potravín vám uľahčí udržiavať prehľad v chladničke. Tým sa tiež skráti čas, kým ostanú otvorené dvere a zníži sa spotreba energie.

### Vybratie a opätovné vloženie polic:

1. Otvorte dvere na pravej strane do úplne otvorenej polohy a dvere na ľavej strane do ich úplne otvorenej polohy a nadvihnite ľavé dvere, aby boli otvorené na 180°.
2. Vyberte strednú policu alebo hornú policu nadvihnutím a vybratím z držiakov police. Potom potiahnite policu dopredu a sklopte nadol do vertikálnej polohy. Otočte policu v určitom uhle a vytiahnite ju z chladničky.
3. Vyberte spodnú policu nadvihnutím a vybratím z držiakov police. Potom potiahnite policu dopredu a vyklopte nahor do vertikálnej polohy. Otočte policu do potrebného uhla a vytiahnite ju z chladničky.
4. Strednú alebo hornú policu vložte do chladničky tak, že ju vsuniete vo vhodnom uhle, s prednou stranou policou smerujúcou nadol. Nadvihnite prednú stranu police a posúvajte ju, kým zadná strana police nevkĺzne do držiakov police. Spusťte prednú stranu police a uistite sa, že polica je na svojom mieste.
5. Spodnú policu vložte do chladničky tak, že ju vsuniete vo vhodnom uhle, aby bola naklonená nahor. Skloňte prednú stranu police nadol a posúvajte ju, kým zadná strana police nevkĺzne do držiakov police. Spusťte prednú stranu police a uistite sa, že polica je na svojom mieste.

## Zásuvky

Zásuvka na ovocie a zeleninu

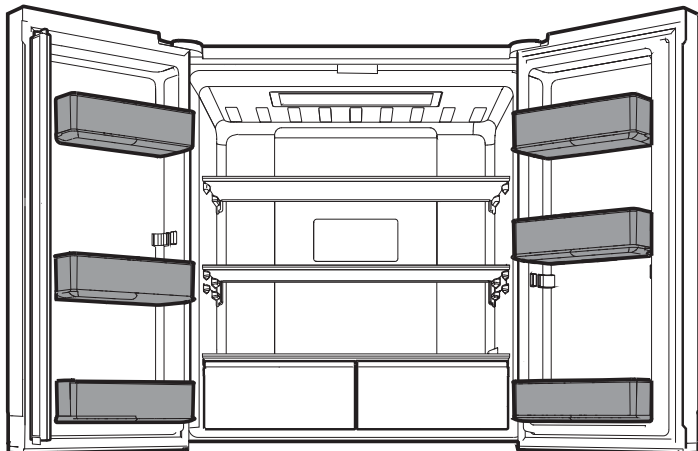


### Pri vyberaní a vkladní zásuviek:

1. Uchopte rukoväť zásuvky a zásuvku vytiahnite von až po zarážku. Nadvihnite zásuvku na ovocie a zeleninu zo spodnej vodiacej lišty.
2. Zásuvku na ovocie a zeleninu vložte do chladničky späť tak, že ju vložíte na spodnú vodiacu lištu zásuvky a potlačíte zásuvku až na doraz do správnej polohy.

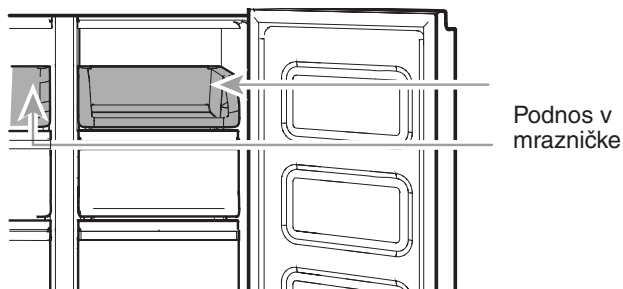
## Priehradky chladničky

Priehradky na dverách chladničky sa dajú nastaviť tak, aby vyhovovali vašim osobným potrebám na ukladanie potravín.



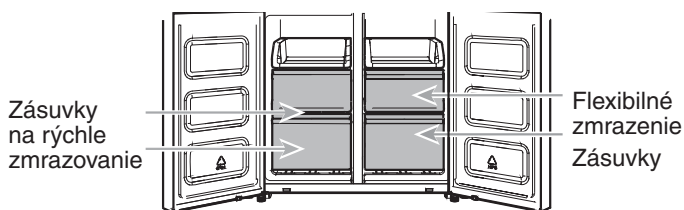
## Skladovacie oddelenia v mrazničke

### Podnos v mrazničke



Podnos v mrazničke je užitočný, pretože uľahčuje prístup k často používaným produktom, zmrazenie alebo jednoduché odloženie zvyškov jedál a malých kúskov potravín.

### Zásuvky mrazničky



### Oddelenie na rýchle zmrazovanie

- Zásuvky na rýchle zmrazovanie vám umožnia pohodlné uloženie veľkých kusov potravín.
- Možnosť rýchleho zmrazenia vám umožní skladovať všetky zmrazené potraviny bezpečne a prehľadne.

### Priestor flexibilného zmrazovania (iba na modeloch WQ9 B1L, 6WM591NIHAS a WQ70900SXX)

Priestor flexibilného zmrazovania vám umožňuje zvoliť si jednu z troch úrovní teploty v mrazničke:  $-7\text{ }^{\circ}\text{C}$ ,  $-12\text{ }^{\circ}\text{C}$  a  $-18\text{ }^{\circ}\text{C}$  na zaistenie čo najlepších podmienok skladovania rôznych druhov potravín.

Ak chcete zväčšiť objem mrazničky na maximum, môžete vybrať zásuvku mrazničky, aby ostala voľná polica mrazničky.

### Vybratie hornej zásuvky:

1. Uchopte rukoväť zásuvky a zásuvku vytiahnite von až po zarážku. Zásuvky nadvihnite zo spodnej vodiacej lišty.
2. Zásuvku vložte späť tak, že ju vložíte na spodnú vodiacu lištu zásuvky a potlačíte zásuvku až na doraz do správnej polohy.

### Polica mrazničky (iba na modeloch WQ9 E1L a WQ9 B1L)

Ak chcete zväčšiť objem mrazničky na maximum, môžete vybrať strednú zásuvku, aby ostala voľná polica mrazničky pod ňou. Potraviny potom môžete vložiť do hornej zásuvky a uložiť priamo na vrch police.

## Odkazy na zvuky

### Priradenie tónov

Názov tónu	Príklady použitia
Zapnutie	Chladiaci systém sa zapne pri každom zapnutí elektrického napájania výrobku.
Stlačenie klávesu	Používateľ stlačil platné tlačidlo.
Neplatné (chyba)	Používateľ stlačil dve alebo viac platných tlačidiel súčasne. Prerušenie odpočítavania času pre tlačidlá, ktoré treba stlačiť a podržať.
Zapojenie	Potvrdenie vstupu do nejakého režimu.
Odpojenie	Potvrdenie výstupu z nejakého režimu.
Upozornenie	Upozornenie na otvorenie dverí.

Táto tabuľka predstavuje iba stručnú príručku. Podrobnosti nájdete v príslušných častiach. Ak by sa vyskytli nejaké nezhody, uprednostnite údaje jednotlivých častí.

## Príslušenstvo

Ak chcete objednať príslušenstvo, kontaktujte predajcu, od ktorého ste chladničku kúpili.

## Služby pre zákazníkov alebo servis

Skôr, ako zavoláte služby pre zákazníkov alebo servis, skontrolujte body v časti „Riešenie problémov“. Pomôže vám to ušetriť výdavky za zásah pracovníka servisu. Ak napriek tomu potrebujete pomoc, dodržte nižšie uvedené pokyny.

### Ak potrebujete náhradné diely

Ak chcete získať výrobcom určené náhradné diely vo svojej oblasti, kontaktujte predajcu, od ktorého ste kúpili chladničku.

### Záruka

Informácie o záruke získate od predajcu, od ktorého ste chladničku kúpili.

**Odložte si záručný list spolu s pokladničným blokom na použitie v budúcnosti. Pri žiadosti o záručný servis budete musieť predložiť doklad o kúpe.**

Poznačte si nasledujúce informácie o spotrebiči, aby ste ich mali poruke pri žiadosti o pomoc alebo servis. Budete musieť vedieť kompletné číslo modelu a sériové číslo. Tieto informácie nájdete na štítku s číslom modelu a so sériovým číslom, ktorý je na vnútornej stene chladničky.

Meno predajcu \_\_\_\_\_

Sériové číslo \_\_\_\_\_

Adresa \_\_\_\_\_

Telefónne číslo \_\_\_\_\_

Číslo modelu \_\_\_\_\_

Dátum nákupu \_\_\_\_\_

# STAROSTLIVOSŤ O CHLADNIČKU

## Čistenie

### VAROVANIE



#### Nebezpečenstvo výbuchu

Použite nehorľavé čistiadlo.

Nedodržanie týchto pokynov môže spôsobiť smrť, výbuch alebo požiar.

Všetky oddelenia chladničky, mrazničky a oddelení flexibilného zmrazovania (iba na modeloch WQ9 B1L, 6WMM591NIHAS a WQ70900SXX) sa odmrzujú automaticky. Napriek tomu všetky oddelenia čistíte približne raz za mesiac, aby ste predišli hromadeniu nepríjemných pachov. Vyliate tekutiny ihneď poutierajte.

#### Čistenie vonkajšieho povrchu

Pri čistení exteriéru si prečítajte konkrétne informácie pre svoj model.

#### Štýl 1 — Hladké dvere

**DÔLEŽITÁ POZNÁMKA:** Na poškodenie hladkého povrchu nesprávnym použitím čistiacich prípravkov alebo používaním neodporúčaných čistiacich prípravkov sa záruka nevzťahuje. Ostré alebo tupé nástroje poškriabu a zničia lesklý povrch.

POUŽÍVAJTE	NEPOUŽÍVAJTE
✓ Mäkkú, čistú utierku	✗ Drsné utierky ✗ Papierové utierky ani noviny ✗ Kovové drôtenky
✓ Teplú vodu so saponátom a jemný čistiaci prípravok	✗ Abrázívne prášky alebo kvapaliny ✗ Spreje na okná ✗ Amoniak ✗ Čistiace prípravky na báze kyselín alebo octu ✗ Čistiace prípravky na rúry ✗ Horľavé tekutiny

**POZNÁMKA:** Papierové utierky sú drsné a môžu narušiť lesklý povrch lakovaných dverí. Na leštenie a utieranie používajte iba mäkké, čisté utierky, aby ste predišli poškodeniu povrchu.

#### Štýl 2 — Nehrdzavejúca oceľ

##### DÔLEŽITÁ POZNÁMKA:

- Používajte iba čistiace prípravky a utierky na nehrdzavejúcu oceľ. Na poškodenie povrchu z nehrdzavejúcej ocele nesprávnym použitím čistiacich prípravkov alebo používaním neodporúčaných čistiacich prípravkov sa záruka nevzťahuje.
- Spotrebiče z nehrdzavejúcej ocele nevystavujte pôsobeniu žieravých alebo korozívnych prvkov, k čomu by mohlo dôjsť v prostredí s vysokým obsahom solí, so skondenzovanou vodou alebo s vysokou vlhkosťou. Na poškodenie uvedenými látkami v prostredí sa záruka nevzťahuje.

POUŽÍVAJTE	NEPOUŽÍVAJTE
✓ Mäkkú, čistú utierku	✗ Drsné utierky ✗ Papierové utierky ani noviny ✗ Kovové drôtenky
✓ Teplú vodu so saponátom a jemný čistiaci prípravok	✗ Abrázívne prášky alebo kvapaliny ✗ Amoniak ✗ Citrusové čistiace prípravky ✗ Čistiace prípravky na báze kyselín alebo octu ✗ Čistiace prípravky na rúry
✓ Na veľmi znečistený povrch použite čistiaci prípravok na čistenie spotrebičov z nehrdzavejúcej ocele. Ak chcete objednať čistiaci prípravok, kontaktujte predajcu, od ktorého ste chladničku kúpili.	✗ Čistiaci prípravok na čistenie nehrdzavejúcej ocele je určený iba na čistenie dielov z nehrdzavejúcej ocele. Nedovoľte, aby sa čistiaci prípravok a leštadlo na nehrdzavejúcu oceľ dostali do kontaktu s plastovými dielmi, ako sú obruby, kryty zásobníka alebo tesnenia dverí.

#### Štýl 3 — Nehrdzavejúca oceľ s úpravou proti odtlačkom prstov

##### DÔLEŽITÁ POZNÁMKA:

- Spotrebiče z nehrdzavejúcej ocele nevystavujte pôsobeniu žieravých alebo korozívnych prvkov, k čomu by mohlo dôjsť v prostredí s vysokým obsahom solí, so skondenzovanou vodou alebo s vysokou vlhkosťou. Na poškodenie uvedenými látkami v prostredí sa záruka nevzťahuje.

POUŽÍVAJTE	NEPOUŽÍVAJTE
✓ Mäkkú, čistú utierku	✗ Drsné utierky ✗ Papierové utierky ani noviny ✗ Kovové drôtenky
✓ Teplú vodu so saponátom a jemný čistiaci prípravok	✗ Abrázívne prášky alebo kvapaliny ✗ Spreje na okná ✗ Amoniak ✗ Čistiace prípravky na báze kyselín alebo octu ✗ Čistiace prípravky na rúry ✗ Horľavé tekutiny

##### POZNÁMKY:

- Ak by došlo k neúmyselnému kontaktu, vyčistite plastovú časť špongiou navlhčenou v teplej vode s prídavkom jemného detergentu. Dôkladne osušte mäkkou utierkou.
- Aj keď je čistiaci prípravok kvapalný, neznamená to, že nie je abrazívny. Mnoho kvapalných čistiacich prípravkov je navrhnutých tak, aby boli šetrne vyčistili obkladačky a hladké povrchy, môžu však poškriabať nehrdzavejúcu oceľ.
- Kyselina citrónová nenapravitelne zmení farbu nehrdzavejúcej ocele.
- Ak chcete zabrániť poškodeniu povrchovej úpravy nehrdzavejúcej ocele svojej chladničky:

##### Nedovoľte, aby na povrchu ostali nasledujúce látky:

- ✗ Horčica
- ✗ Citrusové omáčky
- ✗ Paradajková šťava
- ✗ Produkty na báze citrusov
- ✗ Omáčka na marinovanie

---

## Čistenie vnútra

---

1. Odpojte chladničku od elektrickej siete alebo vypnite elektrické napájanie.
2. Ručne umyte, dôkladne opláchnite a osušte vyberateľné diely a vnútorné povrchy. Použite čistú špongiu alebo mäkkú handričku navlhčenú v teplej vode s jemným detergentom.  
**POZNÁMKA:** Na čistenie plastových dielov, vnútorných plôch a tesnenia nepoužívajte abrazívne ani žieravé čističe, ako sú spreje na okná, čistiace prášky, horľavé tekutiny, čistiace vosky, koncentrované detergenty, bielidlá alebo čistiace prípravky s obsahom ropných produktov.
3. Zástrčku chladničky vsuňte do zásuvky elektrickej siete alebo zapnite elektrické napájanie.

---

## Čistenie kondenzátora

---

Chladnička je vybavená na oboch stranách kondenzátorom zabudovaným do plášťa. Je normálne, že budú oba boky teplé.

---

## Svetlá

---

Svetlá v chladničke aj v mrazničke sú LED svetlá, na ktorých sa nedajú vymeniť žiarovky. Ak sa svetlo pri otvorení dverí nerozsvieti, kontaktujte predajcu, od ktorého ste chladničku kúpili.

---

## Dovolenka a opatrenia pri sťahovaní

---

---

### Dovolenka

---

#### Ak sa počas svojej neprítomnosti rozhodnete nechať chladničku zapnutú:

1. Spotrebujte všetky potraviny, ktoré by sa mohli pokaziť a ostatné zmrazte.
2. Ak má vaša chladnička k dispozícii automatický výrobnik ľadu a ten je pripojený k vodovodnej prípojke, vypnite prívod vody k chladničke. Ak by ste vodu nevypli, mohlo by dôjsť k poškodeniu zariadenia.
3. Ak máte automatický výrobnik ľadu, vypnite ho.
  - Stlačte vypínač do polohy vypnutia (O) na výrobníku ľadu na dverách.
4. Vyprázdnite nádobu na ľad.

#### Ak sa pred odchodom rozhodnete chladničku vypnúť:

**POZNÁMKA:** Kým budete na dovolenke, prepnite chladničku do ukázkového režimu. Pozrite si časť „Používanie ovládačov“.

1. Vyberte všetky potraviny z chladničky.
2. Ak má vaša chladnička k dispozícii automatický výrobnik ľadu:
  - Vypnite prívod vody k výrobníku ľadu aspoň 1 deň vopred.
  - Po poklese poslednej dávky ľadu stlačte vypínač do polohy vypnutia (O), aby zhasol displej v hornej časti vnútri chladničky, v závislosti od vášho modelu.
3. Vyprázdnite nádobu na ľad.
4. Vypnite ovládače teploty. Pozrite si časť „Používanie ovládačov“.
5. Chladničku vyčistite, poutierajte a poriadne osušte.
6. K vrchnej časti oboch dverí pripevnite páskou gumené alebo drevené bloky, ktoré zabránia ich zatvoreniu, aby sa zaistilo dostatočné vetranie vnútra spotrebiča. Tým zabránite tvorbe plesní a zápachu vnútri spotrebiča.

---

## Sťahovanie

---

Pri sťahovaní chladničky do novej domácnosti dodržte nasledujúce kroky.

1. Ak má vaša chladnička k dispozícii automatický výrobnik ľadu:
  - Vypnite prívod vody k výrobníku ľadu aspoň 1 deň vopred.
  - Odpojte vodovodnú prípojku od zadnej steny chladničky.
  - Po poklese poslednej dávky ľadu stlačte vypínač do polohy vypnutia (O) na výrobníku ľadu alebo na ovládači, v závislosti od vášho modelu.
2. Z chladničky vyberte všetky potraviny a všetky zmrazené potraviny vložte do nádoby so suchým ľadom.
3. Vyprázdnite nádobu na ľad.
4. Chladničku odpojte od elektrického napájania.
5. Vyčistite ju, poutierajte a poriadne osušte.
6. Vyberte všetky vyberateľné diely, zabalte ich a spojte dokopy páskou, aby sa počas premiestňovania neposúvali a nerachotili.
7. V závislosti od modelu, zdvihnite prednú časť chladničky, aby sa dala ľahšie presunúť alebo nadvihnite vyrovnávacie skrutky, aby nepoškriabali dlažku. Pozrite si časť „Nastavenie dverí“ alebo „Vyrovnávanie chladničky doodorovnej polohy a zatvorenie dverí“.
8. Zatvorené dvere zaistite páskou a elektrický napájací kábel pripevnite páskou k zadnej stene chladničky.

Po príchode do nového domu vložte všetko príslušenstvo späť, postupujte podľa pokynov v časti „Inštalčné pokyny“. Okrem toho, ak má vaša chladnička k dispozícii automatický výrobnik ľadu, nezabudnite zapojiť ku chladničke vodovodnú prípojku.

# RIEŠENIE PROBLÉMOV

Najprv sa pokúste vyriešiť problém podľa tu uvedených odporúčaní, aby ste nemuseli volať servis.

## VAROVANIE



### Nebezpečenstvo zásahu elektrickým prúdom

Zapojte do uzemnenej zásuvky.

Neodstraňujte kolík uzemnenia.

Nepoužívajte adaptér.

Nepoužívajte predlžovací kábel.

Nedodržanie uvedených pokynov môže spôsobiť smrť, požiar alebo zásah elektrickým prúdom.

Ak pozorujete	Možné príčiny	Riešenie
<b>Prevádzka chladničky</b>		
Chladnička nefunguje.	Skontrolujte elektrické napájanie.	Zástrčku elektrického napájacieho kábla zapojte do uzemnenej zásuvky. Nepoužívajte predlžovací kábel. Uistite sa, že je zásuvka elektrickej siete pod napätím. Zásuvku skontrolujte zapojením lampy so žiarovkou. Ak zasiahol obvodový spínač, zresetujte ho. Vymeňte všetky vypálené poistky. <b>POZNÁMKA:</b> Ak problém pretrváva, kontaktujte elektrikára.
	Skontrolujte ovládače.	Uistite sa, že sú ovládače zapnuté. Pozrite si časť „Používanie ovládačov“.
	Nová inštalácia.	Po inštalácii potrebuje chladnička na úplné vychladenie 24 hodín. <b>POZNÁMKA:</b> Nastavenie ovládačov teploty na najnižšiu teplotu neurýchli vychladenie oddelenia.
	Ovládač chladničky je v režime ukážky (na niektorých modeloch).	Ak je chladnička v režime ukážky, chladenie je vypnuté a na ovládacom paneli bude svietiť „Demo“. Pozrite si časť „Používanie ovládačov“, kde nájdete viac informácií.
Zdá sa, že motor je v prevádzke veľmi dlho.	Vysokoučinný kompresor a ventilátory.	Motory väčších, účinnejších chladničiek sú v chode dlhšie pri nižších, energeticky účinnejších otáčkach.
	Vysoká teplota v miestnosti alebo vonku.	Za týchto podmienok je normálne, že chladnička ostáva v chode dlhšie. Ak chcete dosiahnuť optimálnu účinnosť, umiestnite chladničku v miestnosti s riadenou teplotou. Pozrite si časť „Požiadavky na umiestnenie“.
	Do chladničky ste nedávno vložili veľké množstvo teplých potravín.	Teplé potraviny spôsobia, že chladnička ostane v chode dlhšie, kým sa v nej vzduch nevychladí na želanú teplotu.
	Dvere ste otvárali častejšie alebo ostali otvorené dlhšie.	Teplý vzduch, ktorý vnikol do chladničky, spôsobil, že motor ostal dlhšie v prevádzke. Dvere neotvárajte často.
	Dvere chladničky alebo mrazničky sú otvorené.	Uistite sa, že chladnička je vo vodorovnej polohe. Pozrite si časť „Vyrovnanie chladničky do vodorovnej polohy a zatvorenie dverí“. Dávajte pozor, aby potraviny a nádoby nebránili zatvoreniu dverí.
	Ovládač chladničky je nastavený na príliš nízku teplotu.	Upravte ovládač chladničky na slabšie chladenie, kým chladnička nedosiahne želanú teplotu.
Tesnenie dverí alebo zásuvky je špinavé, opotrebované alebo prasknuté.	Tesnenie vyčistite alebo vymeňte. Ak tesnenie na dverách netesní dokonale, znamená to, že chladnička musí ostať v chode dlhšie, aby dosiahla želanú teplotu.	

# RIEŠENIE PROBLÉMOV

Najprv sa pokúste vyriešiť problém podľa tu uvedených odporúčaní, aby ste nemuseli volať servis.

Ak pozorujete	Možné príčiny	Riešenie
Svetlo nefunguje.	Vaša chladnička je vybavená LED osvetlením, ktoré netreba vymieňať.	Ak je zaistené elektrické napájanie chladničky, ale svetlo sa pri otvorení dverí alebo zásuvky nerozsvieti, zavolajte servis alebo opravára.
	Dvere ostali otvorené dlhšie ako 10 minút.	Zatvorte dvere a zásuvku a znovu ich otvorte, aby ste zresetovali svetlo.
	Spínač dverí nedeteguje otvorenie dverí.	Uistite sa, že vo vzdialenosti do 7,62 cm (3") od krytu závesu nie sú žiadne magnety ani elektronické zariadenia.
Rozhranie pre používateľa ovládača teploty sa nezapne.	Rozhranie pre používateľa ovládača teploty sa prepo do pohotovostnej polohy.	Stlačte ktorékoľvek tlačidlo na rozhraní pre používateľa, aby sa obnovila funkcia teplotného ovládača rozhrania.
	Rozhranie pre používateľa ovládača teploty nefunguje dobre.	Pokúste sa zresetovať tlačidlá vypnutím a opätovným zapnutím napájania chladničky. Ak problém pretrváva, zavolajte služby pre zákazníkov alebo servis.
	Prerušené elektrické napájanie rozhrania pre používateľa ovládača teploty.	Skontrolujte zväzok vodičov na závese dverí.
Ovládač teploty na rozhraní pre používateľa sa nedá nastaviť.	Dvere sú otvorené a aktivoval sa alarm pri otvorených dverách.	Zatvorte dvere.
<b>Nezvyčajný zvuk</b>		
Ak chcete počuť, ako znejú normálne zvuky chladničky, prejdite na webovú stránku výrobcu, na časť pomoc pre výrobok/Často kladené otázky a vyhľadajte si odsek „normálne zvuky“. Nižšie sú uvedené niektoré normálne zvuky s vysvetlením.		
Chladnička sa zdá veľmi hlučná.	Kompresor vašej novej chladničky reguluje teplotu účinnejšie, pričom spotrebúva menej energie a jej prevádzka je menej hlučná.	Kvôli tejto zníženej hlučnosti môžete zaznamenať niektoré nezvyčajné zvuky, ktoré sú však normálne.
Zvuk kompresora, ktorý ostáva v prevádzke dlhšie ako ste očakávali.	Vysokoučinný kompresor a ventilátory.	Motory väčších, účinnejších chladničiek sú v chode dlhšie pri nižších, energeticky účinnejších otáčkach.
Pulzácia/bzučanie	Úprava ventilátorov/kompresora na optimalizáciu výkonu počas bežnej prevádzky kompresora.	Je to normálne.
Pukanie	Sťahovanie a roztahovanie vnútorných stien, predovšetkým pri začiatočnom chladení.	Je to normálne.
Syčanie/kvapkanie	Prúdenie chladiva alebo prúdenie oleja v kompresore.	Je to normálne.
Vibrácie	Možno chladnička nestojí pevne na dlážke.	Upravte vyrovnávacie skrutky a znížte vyrovnávacie nožičky tak, aby stáli pevne na dlážke. Pozrite si časť „Vyrovnávanie chladničky do vodorovnej polohy a zatvorenie dverí“.
Klepanie/praskanie	Pohyb vodného vedenia oproti skrini chladničky alebo pohyb predmetov položených na vrchu chladničky.	Presuňte vodovodnú prípojku od chladničky alebo upevnite rúrku ku štruktúre chladničky. Pozrite si časť „Pripojenie vodovodnej prípojky“ alebo odstráňte predmety z vrchu chladničky.
Prskanie	Voda kvapkajúca na ohrievač počas cyklu odmrazovania.	Je to normálne.
Prúdenie vody/žblnkanie	Môžete ich počuť pri roztápaní ľadu počas cyklu odmrazovania, keď voda steká do odtokovej nádržky.	Je to normálne.

# RIEŠENIE PROBLÉMOV

Najprv sa pokúste vyriešiť problém podľa tu uvedených odporúčaní, aby ste nemuseli volať servis.

Ak pozorujete	Možné príčiny	Riešenie
<b>Teplota a vlhkosť</b>		
Príliš vysoká teplota.	Chladnička je práve nainštalovaná.	Po inštalácii potrebuje chladnička na úplné vychladenie 24 hodín.
	Ovládače nie sú nastavené správne pre podmienky okolia.	Upravte ovládače tak, aby sa v chladničke dosiahla nižšia teplota. Po uplynutí 24 hodín teplotu skontrolujte. Pozrite si časť „Používanie ovládačov“.
	Dvere ste otvárali častejšie alebo nie sú úplne zatvorené. To umožňuje vniknutie teplého vzduchu do chladničky.	Otváranie dverí obmedzte na minimum a dvere nechávajte zatvorené.
	Do chladničky ste nedávno vložili veľké množstvo teplých potravín.	Počkajte niekoľko hodín, aby sa obnovila normálna teplota v chladničke.
	Je zapnutý ukázkový režim Demo.	Vypnite ukázkový režim. Pozrite si časť „Používanie ovládača“.
	Je zapnutý dovolenkový režim.	Vypnite dovolenkový režim. Pozrite si časť „Používanie ovládača“.
Teplota v chladničke alebo v zásuvke na ovocie a zeleninu je príliš nízka.	Sú zablokované otvory na prístup vzduchu.	Ak je otvor na prívod vzduchu nachádzajúci sa v strede zadnej steny chladničky zablokovaný predmetmi uloženými tesne pred ním, v chladničke veľmi klesne teplota. Presuňte predmety mimo otvoru na prívod vzduchu.
	Ovládače nie sú nastavené správne pre podmienky okolia.	Upravte ovládače tak, aby sa v chladničke dosiahla vyššia teplota. Po uplynutí 24 hodín teplotu skontrolujte. Pozrite si časť „Používanie ovládačov“.
	Zásobník na ľad nie je v správnej polohe.	Pozrite si časť „Výrobník ľadu“ a „Zásobník na ľad“.
Teplota v zásuvke s riadenou teplotou je príliš nízka.	Ovládač nie je nastavený správne pre potraviny uložené v zásuvke.	Upravte nastavenie teploty. Pozrite si časť „Používanie ovládačov“ v kapitole „Používanie chladničky“.
V chladničke je veľa skondenzovanej vody a vysoká vlhkosť. <b>POZNÁMKA:</b> Mierna kondenzácia vnútri chladničky je normálny jav.	Miestnosť je vlhká.	Vlhké prostredie prispieva k hromadeniu vlhkosti vnútri spotrebiča.
	Dvere ste otvárali častejšie alebo nie sú úplne zatvorené. To umožňuje vniknutie vlhkého vzduchu do chladničky.	Otváranie dverí obmedzte na minimum a zatvárajte ich úplne.
	Dvere ostali zablokované a nezatvorené.	Presuňte balíčky potravín ďalej od dverí.
	Zatvoreniu dverí prekáža nejaký zásobník alebo policu.	Zatlačte zásobník alebo policu dozadu do správnej polohy.
	Skladovanie kvapalín v otvorených nádobách.	Zvyšuje sa tým vlhkosť v chladničke. Všetky nádoby udržiavajte tesne uzavreté.
V mrazničke je veľa ľadu alebo námrazy.	Dvere ste otvárali častejšie alebo ostali otvorené.	Otváranie dverí obmedzte na minimum a po použití úplne zatvorte zásuvku.
	Na dverách je poškodené tesnenie.	Uistite sa, že tesnenie dokonale prilieha ku chladničke, aby zaručilo dostatočné utesnenie.
	Ovládače teploty nie sú nastavené správne.	Pozrite si časť „Používanie ovládačov“, kde nájdete odporúčané nastavenia teploty.

# RIEŠENIE PROBLÉMOV

Najprv sa pokúste vyriešiť problém podľa tu uvedených odporúčaní, aby ste nemuseli volať servis.

## !VAROVANIE



### Nebezpečenstvo výbuchu

Použite nehorľavé čistiadlo.

Nedodržanie týchto pokynov môže spôsobiť smrť, výbuch alebo požiar.

Ak si chcete pozrieť animovaný postup pre nastavenie a zarovnanie dverí, pozrite si časť Pomoc pre výrobok/Často kladené otázky na webovej stránke výrobcu a vyhľadajte „Zatvorenie dverí“ a „Zarovnanie dverí“.

Ak pozorujete	Možné príčiny	Riešenie
<b>Dvere</b>		
Dvere sa nezatvárajú úplne.	Dvere ostali zablokované a nezatvorené.	Presuňte balíčky potravín ďalej od dverí.
	Zatvoreniu dverí prekáža nejaký zásobník alebo polica.	Zatlačte zásobník alebo policu dozadu do správnej polohy.
	Nedávno nainštalovaný spotrebič	Odstráňte všetok obalový materiál.
Dvere sa ťažko otvárajú.	Tesnenie dverí je špinavé alebo lepkavé.	Tesnenie a kontaktné plochy umyte vlažnou vodou so saponátom. Opláchnite a osušte mäkkou utierkou.
Dvere nie sú zarovnané.	Dvere treba zarovnať alebo treba chladničku vyrovnať do vodorovnej polohy.	Ak treba zarovnať dvere, zavolajte servis.
Chladnička je nestabilná alebo sa pri otváraní a zatváraní dverí posúva dopredu.	Blokovacie nožičky chladničky nestoja pevne na dlážke.	Otáčajte obe blokovacie nožičky (po jednej na každej strane) proti smeru hodinových ručičiek, kým nebudú stáť pevne na dlážke. Pozrite si časť „Vyrovnanie chladničky do vodorovnej polohy a zatvorenie dverí“.



# Vsebina

<b>VARNOST HLADILNIKA .....</b>	<b>514</b>
Pravilna odstranitev starega hladilnika .....	517
<b>DELI IN ZNAČILNOSTI .....</b>	<b>518</b>
<b>NAVODILA ZA NAMESTITEV .....</b>	<b>519</b>
Začetek .....	519
Razpakirajte hladilnik .....	519
Zahteve lokacije .....	520
Električne zahteve .....	520
Odstranitev in zamenjava vrat hladilnika .....	522
Odstranitev in zamenjava vrat zamrzovalnika/Flexi Freeze .....	524
Uravnavanje hladilnika .....	525
Uporaba tipk .....	526
Osvetlitev hladilnika .....	527
<b>UPORABA HLADILNIKA .....</b>	<b>528</b>
Odpiranje in zapiranje vrat .....	528
Shranjevanje hrane .....	528
<b>POLICE, POSODE IN PREDALI.....</b>	<b>529</b>
Prostori za shranjevanje v zamrzovalniku .....	530
Zvočne reference .....	530
Dodatki .....	530
Pomoč ali servis .....	530
<b>NEGA HLADILNIKA .....</b>	<b>531</b>
Čiščenje.....	531
Luči.....	532
Nega med počitnicami in pri selitvi .....	532
<b>ODPRAVLJANJE TEŽAV .....</b>	<b>533</b>

# VARNOST HLADILNIKA

## Vaša varnost in varnost drugih ljudi sta zelo pomembni.

V tem priročniku in na vašem aparatu smo poskrbeli za številna pomembna varnostna sporočila. Vedno preberite in upoštevajte vsa varnostna sporočila.



To je simbol varnostnega opozorila.

Ta simbol vas opozarja na potencialne nevarnosti, ki so lahko vzrok za smrt ali poškodovanje vas in drugih oseb.

Vsa varnostna sporočila sledijo simbolu varnostnega opozorila in besedi "NEVARNOST" ali "OPOZORILO".

Te besede pomenijo:

**! NEVARNOST**

Če ne neposredno sledite navodilom, se lahko pripeti nesreča s smrtjo ali poškodbami.

**! OPOZORILO**

Če ne sledite navodilom, se lahko pripeti nesreča s smrtjo ali poškodbami.

Vsa varnostna sporočila vam bodo povedala, kakšna je potencialna nevarnost, kako zmanjšati možnost poškodovanja in kaj se lahko zgodi, če se ne upoštevajo navodila.

## VARNOSTNA NAVODILA.

Pred uporabo aparata preberite ta varnostna navodila. Hranite jih pri roki za bodočo uporabo. Ta navodila in sam aparat nudita pomembna varnostna opozorila, kijih je treba vedno upoštevati. Proizvajalec zavrača vsako odgovornost v primeru neupoštevanja navodil za varnost, za neprimerno uporabo aparata ali nepravilno nastavitvev upravljanja.

⚠ Zelo majhni otroci (0-3 let) ne smejo uporabljati aparata. Majhni otroci (3-8 let) ne smejo uporabljati aparata, razen, če so pod stalnim nadzorom. Otroci starejši od 8 let in osebe z zmanjšano fizično, senzorično ali duševno sposobnostjo ali a pomanjkljivimi izkušnjami in znanjem lahko uporabljajo aparat samo, če so pod nadzorom ali so bili poučeni o navodilih za varno uporabo in se zavedajo nevarnosti v zvezi s tem. Otroci se ne smejo igrati z aparatom. Čiščenje in vzdrževanje v pristojnosti uporabnika ne smejo opravljati otroci brez nadzora.

### DOVOLJENA UPORABA

⚠ PREVIDNO: Aparat ni predviden za delovanje z zunanjo vklopno napravo, kot so časovnik ali sistem za daljinsko upravljanje.

⚠ Ta aparat je namenjen za uporabo v gospodinjstvu in podobnih aplikacijah, kot so: kuhinje za osebje v trgovinah, pisarnah in drugih delovnih okoljih; kmečkih hišah; za goste v hotelih, motelih, prenočiščih z zajtrkom in drugih stanovanjskih okoljih.

⚠ Ta aparat ni namenjen za profesionalno uporabo. Aparata ne uporabljajte na prostem.

⚠ Aparat je namenjen za delovanje na mestih, kjer je temperatura okolja v naslednjih razponih, skladno s klimatskim razredom, ki je naveden na tablici. Aparat lahko ne bo deloval pravilno, če bo dolgo ostal pri temperaturi izven določenih meja. Klimatski razred okolja T. (°C)

SN: Od 10 do 32 °C; N: Od 16 do 32 °C

ST: Od 16 do 38 °C; T: Od 16 do 43 °C

⚠ Ta aparat ne vsebuje CFC-jev. Hladilni obtok vsebuje R600a (HC). Aparati z izobutanom (R600a): izobutan je zemeljski plin brez vpliva na okolje, vendar je vnetljiv. Zato se prepričajte, da cevi hladilnega obtoka niso poškodovane, še posebej v primeru izpraznitve hladilnega obtoka.

⚠ OPOZORILO: Ne poškodujte cevi hladilnega obtoka aparata.

⚠ OPOZORILO: Prezračevalne odprtine, na ohišju aparata ali na vgradni strukturi, ne smejo biti ovirane.

## POMEMBNO JE PREBRATI IN UPOŠTEVATI

⚠ OPOZORILO: Za pospešitev procesa odtaljevanja Ne uporabljajte mehanskih, električnih ali kemičnih sredstev, razen tistih, ki jih priporoča proizvajalec.

⚠ OPOZORILO: Ne uporabljajte in ne postavljajte električnih naprav v notranjost predelkov aparata, če niso vrste, ki jo proizvajalec izrecno dovoljuje.

⚠ OPOZORILO: Izdelovalniki ledu in/ali razpršilniki vode, ki niso neposredno priključeni na vodovod, morajo biti napolnjeni samo s pitno vodo.

⚠ OPOZORILO: Avtomatski izdelovalniki ledu in/ali razpršilniki vode morajo biti priključeni na dovod vode za samo pitno vodo, s tlakom vode med 0,17 in 0,81 MPa (1,7 in 8,1 bar).

⚠ V tem aparatu ne shranjujte eksplozivnih snovi, kot so aerosolne pločevinke z vnetljivim potisnim plinom.

⚠ Ne zaužijte vsebine (nestrupenih) ledenih vložkov (priloženih nekaterim modelom). Ne jejte ledenih kock ali ledenih lizik takoj, ko jih vzamete iz zamrzovalnika, ker lahko povzročijo zmrzline.

⚠ Pri izdelkih, zasnovanih za uporabo filtra zraka v dostopnem pokrovu ventilatorja, mora biti filter vedno na mestu, ko hladilnik deluje.

⚠ Steklenih posod s tekočinami ne hranite v zamrzovalnem prostoru, ker lahko počijo. Ventilatorja (če je prisoten) ne ovirajte s hrano. Po vstavljanju hrane preverite, ali se vrata predelkov pravilno zaprta, zlasti vrata zamrzovalnika.

⚠ Poškodovana tesnila je treba čim prej zamenjati.

⚠ Uporabljajte hladilnik samo za shranjevanje sveže hrane in zamrzovalni prostor le za shranjevanje zamrznjene hrane, zamrzovanje sveže hrane in izdelavo ledenih kock.

⚠ Izogibajte se shranjevanju nezavite hrane v neposrednem stiku z notranjimi površinami hladilnika ali zamrzovalnih predelkov. Aparati lahko imajo posebne predelke (predelek za svežo hrano, predal ničelne cone itd.). Razen če je določeno v posebni knjižici izdelka, se jih lahko odstrani, z ohranitvijo enakovrednih zmogljivosti.

### NAMESTITEV

⚠ Z aparatom morata ravnati in ga namestiti dve osebi ali več - nevarnost poškodb. Pri odpakiranju in nameščanju nosite zaščitne rokavice - nevarnost ureza.

⚠ Namestitev, vključno z dovodom vode (če je potrebno) in električne povezave, kot tudi popravila, mora opraviti usposobljen tehnik. Ne izvajajte popravila ali zamenjave katerega koli dela naprave, razen če je to posebej navedeno v navodilih za uporabo. Otroci naj se ne približujejo kraju nameščanja.

Ko razpakirate aparat, preverite, da ni bil poškodovan med transportom. V primeru težav se obrnite na prodajalca ali na najbližji servisni center. Ko aparat namestite, odpadno embalažo (plastiko, dele iz stiropora itd.) shranite izven dosega otrok - nevarnost zadušitve. Pred vsakim postopkom nameščanja je treba aparat izklopiti iz napajanja - nevarnost električnega udara. Med nameščanjem pazite, da z napravo ne poškodujete električnega kabla - tveganje požara ali električnega udara. Aparat vključite šele, ko je namestitev končana.

⚠ Pri premikanju aparata pazite, da ne poškodujete tlaka (npr. parketa). Namestite napravo na tla ali podlago, ki je dovolj trdna za prenašanje teže in je primerna po velikosti ter namenu uporabe. Prepričajte se, da aparat ni blizu toplotnega vira in da so štiri noge stabilne in stojijo na tleh, če je potrebno, jih nastavite in z vodno tehniko preverite, ali je aparat postavljen povsem vodoravno. Počakajte vsaj dve uri, preden vklopite aparat, s tem zagotovite, da je obtok hladilnega sredstva popolnoma učinkovit.

⚠ Za zagotovitev zadostnega prezračevanja pustite prostor na obeh straneh in nad aparatom. Razdalja med zadnjo stranjo aparata in steno za aparatom mora biti 50 mm, da se prepreči dostop do vročih površin. Zmanjšanje tega prostora bi povečalo porabo energije izdelka.

⚠ OPOZORILO: Da bi se izognili tveganju nestabilnosti, je treba aparat postaviti ali pritrčiti v skladu z navodili proizvajalca. Prepovedano je postaviti hladilnik tako, da so kovinska cev plinskega štedilnika, kovinske cevi plina ali vodovoda ali električne žice v stiku z zadnjo steno hladilnika (kondenzacijsko tuljavo).

⚠ Če je potrebno zamenjati vrata, se obrnite na center za tehnično pomoč.

### **OPOZORILA O ELEKTRIČNI ENERGIJI**

⚠ Omogočen mora biti odklop aparata iz napajanja tako, da ga iztaknete vtič, če je ta dostopen, ali z večpolnim stikalom, nameščenim pred vtičnico, v skladu s predpisi o električnih napeljavah, aparat mora biti tudi ozemljen v skladu z nacionalnimi predpisi o varnosti električnih naprav.

⚠ Ne uporabljajte podaljškov, razdelilnih vtičnic ali adapterjev. Električne komponente po namestitvi ne smejo biti dostopne uporabniku. Aparata ne uporabljajte, ko ste mokri ali bos. Aparata ne uporabljajte, če ima poškodovan napajalni kabel ali vtič, če ne deluje pravilno ali če je bil poškodovan ali je padel.

⚠ Če je napajalni kabel poškodovan, ga mora proizvajalec ali njegov servisni agent ali podobno usposobljena oseba zamenjati z enakovrednim, da se izognete nevarnosti-tveganju električnega udara.

⚠ OPOZORILO: Pri nameščanju aparata se prepričajte, da napajalni kabel ni stisnjen ali poškodovan.

⚠ OPOZORILO: Na zadnjo stran aparata ne nameščajte električnih razdelilnih letev ali prenosnih napajalnikov.

### **ČIŠČENJE IN VZDRŽEVANJE**

⚠ OPOZORILO: Pred izvajanjem kakršnegakoli vzdrževalnega posega poskrbite, da je aparat izklopljen in izključen iz električnega omrežja; nikoli ne uporabljajte opreme za timsko čiščenje - nevarnost električnega udara.

⚠ Ne uporabljajte abrazivnih in grobih čistil, kot so razpršila za stekla, čistilna sredstva, vnetljive tekočine, čistilni voski, koncentrirani detergenti, belila ali čistila, ki vsebujejo naftne derivate, na plastičnih delih, notranjih in vratnih oblogah ali tesnilih. Ne uporabljajte papirnatih brisač, čistilnih blazinic ali drugih grobih orodij za čiščenje.

### **ODSTRANJEVANJE PAKIRNIH MATERIALOV**

Pakirni material je mogoče 100% reciklirati in je označen s simbolom za recikliranje ♻.

Različne dele embalaže je treba odstraniti odgovorno in v skladu s predpisi lokalnih organov, ki urejajo odstranjevanje odpadkov.

### **ODSTRANJEVANJE GOSPODINJSKIH APARATOV**

Ta aparat je izdelan iz materialov, primernih za recikliranje ali ponovno uporabo. Odstranite ga v skladu z lokalnimi predpisi o odstranjevanju odpadkov. Za dodatne informacije o obdelavi, predelavi in recikliranju električnih gospodinjskih aparatov se obrnite na krajevni organ, službo za zbiranje gospodinjskih odpadkov ali v trgovino, kjer ste kupili aparat. Ta aparat je označen v skladu z evropsko direktivo 2012/19/EU o odpadni električni in elektronski opremi (OEEO). Z zagotovitvijo, da je ta izdelek odstranjen pravilno, boste pomagali preprečiti negativne posledice za okolje in zdravje ljudi.

Simbol ♻ na izdelku ali na spremni dokumentaciji navaja, da se ne sme obravnavati kot gospodinjski odpadki, ampak ga je treba izročiti v ustrezni zbirni center za recikliranje električne in elektronske opreme.

### **NASVETI ZA VARČEVANJE Z ENERGIJO**

Aparate postavite v suh, dobro prezračevan prostor, daleč stran od virov toplote (npr. radiatorja, kuhališča itd.) In na mestu, kjer ni izpostavljen soncu. Če je potrebno, uporabite izolirno ploščo.

Za zagotovitev zadostnega prezračevanja upoštevajte navodila za montažo. Nezadostno prezračevanje na hrbtni strani izdelka poveča porabo energije in zmanjšuje učinkovitost hlajenja.

Pogosto odpiranje vrat lahko povzroči večjo porabo energije. Na temperaturo v notranjosti aparata in porabo energije lahko vpliva tudi temperatura okolja, kot tudi položaj aparata. Pri nastavitvi temperature morate upoštevati naslednje dejavnike.

Zmanjšajte odpiranje vrat na minimum.

Za odmrznitev zamrznjene hrane slednjo postavite v hladilnik. Nizka temperatura zamrznjenih izdelkov ohladi hrano v hladilniku. Toplo hrano in pijačo ohladite, preden jo namestite v aparat.

Položaj polic v hladilniku ne vpliva na učinkovitost porabe energije. Hrana mora biti nameščena na police tako, da se zagotovi ustrezno kroženje zraka (hrana naj ne bo v medsebojnem stiku, biti mora tudi stran od zadnje stene).

Kapaciteto shranjevanja zamrznjene hrane lahko povečate z odstranitvijo košar in, če je prisotna, police Stop Frost.

Naj vas ne skrbi zvok, ki ga proizvaja kompresor, v hitrem vodniku tega izdelka je opisan kot normalen.



## Pravilna odstranitev starega hladilnika

### **! OPOZORILO**

#### **Tveganje zadužitve**

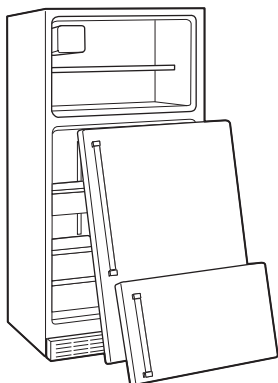
**Odstranite vrata z vašega starega hladilnika.**

**Če tega ne storite, lahko pride do smrti ali možganskih poškodb.**

**POMEMBNO:** Zaprtje in zadužitev otrok nista problem preteklosti. Održeni ali opuščeni hladilniki so še vedno nevarni - tudi če jih pustite "samo za nekaj dni." Če se znebite svojega starega hladilnika, upoštevajte ta navodila, da se izognete nesrečam.

#### **Preden odstranite stari hladilnik ali zamrzovalnik:**

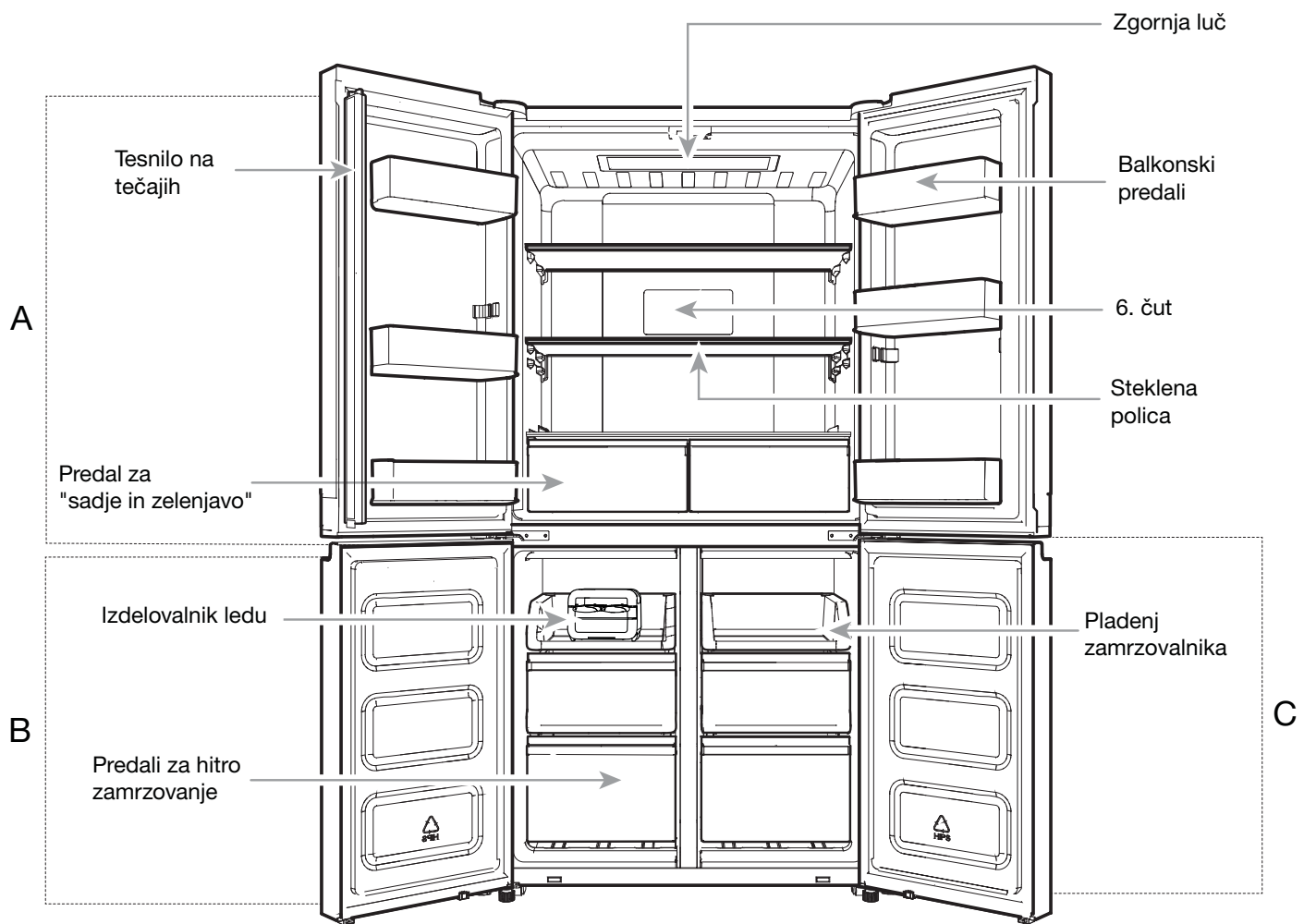
- Demontirajte vrata.
- Police pustite na mestu, da otroci ne morejo preprosto vstopiti v notranjost.



#### **Pomembna informacija o odstranjevanju hladilnih sredstev:**

Hladilnik odstranite ga v skladu z državnimi in lokalnimi predpisi. Hladilna sredstva mora odstraniti tehnik z licenco za hladilna sredstva, v skladu z ustaljenimi postopki.

# DELI IN ZNAČILNOSTI



A . Hladilnik

B . Zamrzovalnik

C . Flexi Freeze (samo pri WQ9 B1L, 6WM591NIHAS in WQ70900SXX)

# NAVODILA ZA NAMESTITEV

## Začetek

### PREGLED NAMESTITVE

#### ✓ Električno napajanje

## ⚠ OPOZORILO



### Nevarnost električnega udara

**Priklopite ozemljitveni vodnik.**

**Ne odstranjujte ozemljitvene palice.**

**Ne uporabljajte adapterja.**

**Ne uporabljajte podaljška kabla.**

**Če ne upoštevate teh navodil, lahko pride do smrti ali električnega udara.**

- Hladilnik priklopite v ozemljeno vtičnico.

#### ✓ Vrata

- Če je med namestitvijo potrebno odstraniti vrata, glejte oddelka "Odstranitev in zamenjava vrat hladilnika" in "Odstranitev in zamenjava prednjih vrat zamrzovalnika".
- Vrata tesno zapirajo.
- Hladilnik je uravnan. Nastavite uravnalne noge, tako da se dotikajo tal.
- Vrata segajo čez vrh. (Če je potrebno, uporabite možnost poravnave vrat).

#### ✓ Končni pregledi

- Odstranite ves transportni material.
- Nastavite temperaturo na priporočeno nastavitev.
- Shranite navodila in drugo literaturo.
- Če želite pridobiti popolnejšo pomoč, prosimo, registrirajte izdelek na [www.whirlpool.eu/register](http://www.whirlpool.eu/register).

## Razpakirajte hladilnik

## ⚠ OPOZORILO

### Nevarnost prekomerne teže

**Premikanje in postavitve hladilnika naj opravita dve ali več oseb.**

**Če tega ne upoštevate, si lahko poškodujete hrbet ali drugo.**

### Dostava hladilnika

Potrebna je minimalna odprtina vrat 838 mm (33"). Če je odprtina vrat 914 mm (36") ali manj, je potrebno odstraniti vrata, predal in tečaje.

Hladilnik peljite prečno skozi vse vratne odprtine.

### Pri premikanju hladilnika:

Vaš hladilnik je težek. Pri premikanju hladilnika zaradi čiščenja ali servisiranja, obvezno pokrijte tla s kartonom ali leseno ploščo, da se izognete poškodbam tal. Pri premikanju hladilnik vedno izvlecite naravnost. Ne migajte in ne "hodite" s hladilnikom, ko ga poskušate premakniti, ker lahko poškodujete tla.

### Odstranite embalažo

- Pred vklopom hladilnika odstranite trakove in ostanke lepila s površin. S prsti namažite majhno količino tekočega detergenta na lepilo. Obrišite s toplo vodo in posušite.
- Za odstranjevanje traku ali lepila ne uporabljajte ostrih instrumentov, čistilnega alkohola, vnetljivih tekočin ali abrazivnih čistil. Ti izdelki lahko poškodujejo površino vašega hladilnika.
- Odstranite/reciklirajte vse embalažne materiale.

### Očistite pred uporabo

Ko odstranite vse embalažne materiale, pred uporabo očistite notranjost hladilnika. Glejte navodila za čiščenje v oddelku "Nega hladilnika".

### Pomembne informacije o steklenih policah in pokrovih:

Ne čistite steklenih polic ali pokrovov s toplo vodo, ko so mrzli. Police in pokrovi se lahko zlomijo, če so izpostavljeni nenadnim spremembam temperature ali udarcem. Kaljeno steklo je zasnovano tako, da se razbije številne majhne, prodnate dele. To je normalno. Steklene police in pokrovi so težki. Pri odstranjevanju uporabite obe roki, da vam ne padejo.

## Zahteve lokacije

### ⚠ OPOZORILO



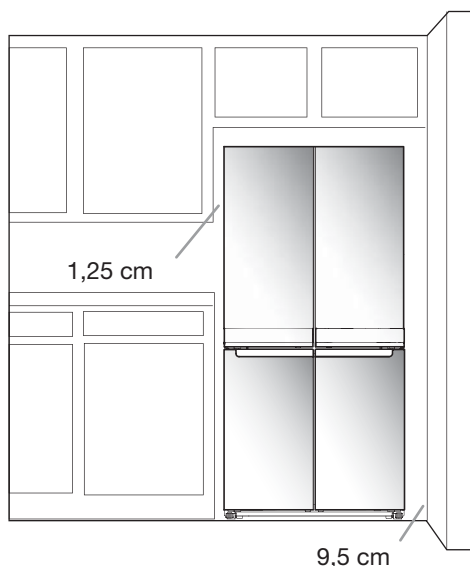
#### Nevarnost eksplozije

Hranite vnetljive snovi in hlape, kot je bencin, stran od hladilnika.

Če tega ne storite, lahko pride do smrti, eksplozije ali požara.

Za zagotovitev ustreznega prezračevanja vašega hladilnika, pustite 1,25 cm prostora na vsaki strani in na vrhu. Pustite 5 cm prostora za hladilnikom. Če ima vaš hladilnik izdelovalnik ledu, pustite dodaten prostor na hrbtni strani za vodne povezave. Pri nameščanju hladilnika poleg fiksne stene pustite najmanj 9,5 cm prostora med hladilnikom in steno, da se vrata lahko odprejo.

**OPOMBA:** Ta hladilnik je namenjen za uporabo na mestu, kjer se temperatura giblje od najmanj 10°C do največ 43°C. Najprimernejši temperaturni razpon za optimalno delovanje v prostoru, ki zmanjšuje porabo električne energije in zagotavlja vrhunsko hlajenje, je med 15°C in 32°C. Priporočamo, da hladilnika ne namestite blizu vira toplote, kot je pečica ali radiator.



## Električne zahteve

### ⚠ OPOZORILO



#### Nevarnost električnega udara

Priklopite ozemljitveni vodnik.

Ne odstranjujte ozemljitvene palice.

Ne uporabljajte adapterja.

Ne uporabljajte podaljška kabla.

Če ne upoštevate teh navodil, lahko pride do smrti ali električnega udara.

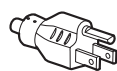
**POMEMBNO:** Namestitev in električno povezavo mora opraviti usposobljen tehnik v skladu z navodili proizvajalca in v skladu z lokalnimi varnostnimi predpisi.

- Hladilnik je zasnovan za delovanje z ločenim tokokrogom 220-240 Volt, 10 A, 50/60 Hz.
- Prepričajte se, da napetost, ki je navedena na ploščici s podatki, ustreza nastavitvi vašega doma.
- Omogočena mora biti izključitev aparata iz električnega omrežja z odklopom ali z glavnim dvopolnim stikalom, nameščenim pred vtičnico.
- Če je napajalni kabel poškodovan, ga mora proizvajalec ali njegov servisni agent ali podobno usposobljena oseba zamenjati, da se izognete tveganju.

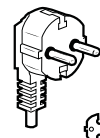
Preden premaknete hladilnik na svoje končno mesto, je pomembno, da se prepričate, ali je na voljo ustrezen električni priključek:

#### Priporočen način ozemljitve

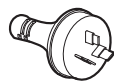
220-240 Volt 50 Hz, 220 Volt 60 Hz, ali 230/240 Volt 50 Hz AC samo varovalka 10 A in električna napeljava z ozemljitvijo.



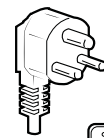
Tip B



Tip E in F



Tip I



Tip M



Tip G

#### Za Avstralijo in Novo Zelandijo:

Vaša novi aparat je bil posebej izdelan, da izpolnjuje vse zahteve avstralskih standardov in pogojev.

Nekatere navedbe v navodilih za namestitev se lahko nanašajo na električne zahteve drugih držav, zato posebno pozornost namenjamo tem posebnim opombam.

Vaš aparat je treba priključiti izključno v ozemljeno vtičnico z 230/240 Volt 50 Hz AC jakosti 10 A.



## Električne zahteve (samo za Veliko Britanijo in Irsko)

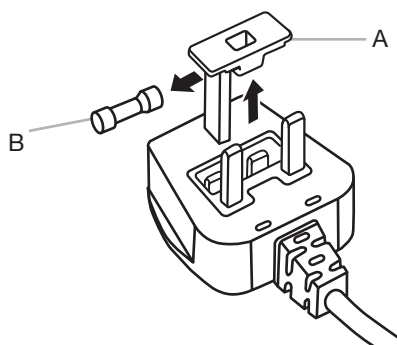
**POMEMBNO:** Ta hladilnik mora biti ozemljen.

### Zamenjava varovalke

Če je glavni kabel tega hladilnika je opremljen z vtičem BS1363A, z varovalko 13 A, za zamenjavo varovalke vtiča uporabite A.S.T.A. tip za BS 1362 in nadaljujte na naslednji način:

1. Odstranite pokrov varovalke (A) in varovalko (B).
2. Namestite varovalko 13 A v pokrov varovalke.
3. Ponovno namestite varovalko in pokrov na vtič.

**POMEMBNO:** Ob zamenjavi varovalke je treba ponovno namestiti pokrov varovalke. Če pokrov varovalke izgubite, vtiča ne smete uporabiti, dokler ne namestite ustreznega nadomestnega pokrova. Pravilen nadomestni del je označen z barvo vložka ali barvo besede, odtisnjene na ohišju vtiča. Nadomestni pokrovi varovalke so na voljo na vaši lokalni trgovini z električnim materialom.



A. Pokrov varovalke  
B. Varovalka

### Za Republiko Irsko (samo):

Pogosto se uporabljajo informacije, ki se nanašajo na Veliko Britanijo, vendar se uporablja tudi tretja vrsta vtiča in vtičnice, 2-pinski, s stranskim tipom ozemljitve.

### Vtičnica/vtič (velja za obe državi):

Če nameščeni vtič ni primeren za vašo vtičnico, se za nadaljnja navodila obrnite na servisno službo. Prosimo, ne poskušajte sami spremeniti vtiča. Ta postopek mora opraviti usposobljen tehnik v skladu s proizvajalčevimi navodili in veljavnimi standardnimi varnostnimi predpisi.

## Temperatura

Hladilnik je predviden za delovanje na mestih, kjer je temperatura v naslednjih razponih, skladno s klimatskim razredom, ki je prikazan na tablici aparata. Hladilnik lahko ne bo deloval pravilno, če bo dolgo ostal pri temperaturi izven določenih meja.

**OPOMBA:** Priporočamo, da hladilnika ne namestite blizu vira toplote, kot je pečica ali radiator.

Klimatski razred	Okol. T. (°C)	Okol. T. (°F)
SN	Od 10 do 32	Od 50 do 90
N	Od 16 do 32	Od 61 do 90
ST	Od 16 do 38	Od 61 do 100
T	Od 16 do 43	Od 61 do 110

## Odstranitev in zamenjava vrat hladilnika

**OPOMBA:** Izmerite širino odprtine vrat in preverite, ali morate odstraniti vrata hladilnika, da bi premaknili hladilnik v vaš dom. Če je potrebno odstraniti vrata, glejte naslednja navodila.

**POMEMBNO:** Če je bil hladilnik predhodno že nameščen in ga premikate iz doma, pred začetkom odstranjevanja vrat izklopite hladilnik. Odklopite hladilnik ali odklopite napajanje. Odstranite hrano in nastavljive posode za vrata ali pripomočke z vrat.

Pred odstranitvijo vrat zberite potrebna orodja in preberite vsa navodila.

**POTREBNO ORODJE:** 6 mm nasadni ključ, 5 mm nasadni ključ in # 2 križna izvijača.



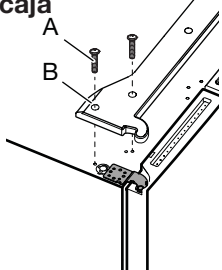
### ⚠ OPOZORILO

Nevarnost električnega udara

Pred odstranitvijo vrat odklopite napajanje.

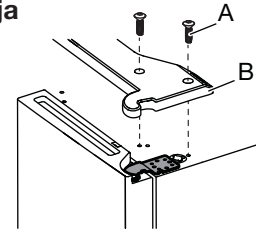
Če tega ne storite, lahko pride do smrti ali električnega udara.

#### Pokrov levega zgornjega tečaja



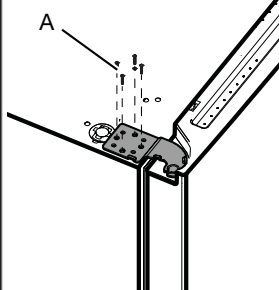
- A. Vijaki pokrova zgornjega tečaja
- B. Pokrov zgornjega tečaja

#### Pokrov desnega zgornjega tečaja



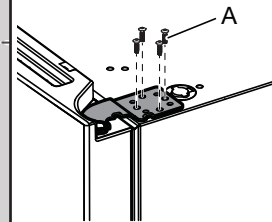
- A. Vijaki pokrova zgornjega tečaja
- B. Pokrov zgornjega tečaja

#### Levi zgornji tečaj



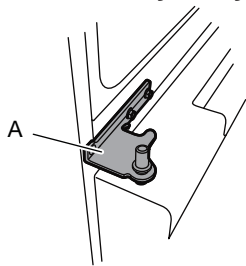
- A. 5 mm nasadni vijaki

#### Desni zgornji tečaj



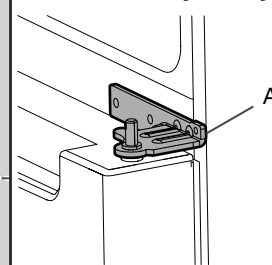
- A. 5 mm nasadni vijaki

#### Levi srednji tečaj



- A. Tečaj

#### Desni srednji tečaj



- A. Tečaj

## ⚠ OPOZORILO

Nevarnost prekomerne teže

Dviganje vrat hladilnika naj opravita dve ali več oseb.

Če tega ne upoštevate, si lahko poškodujete hrbet ali drugo.

### Odstranite vrata hladilnika

## ⚠ OPOZORILO



Nevarnost električnega udara

Pred odstranitvijo vrat odklopite napajanje.

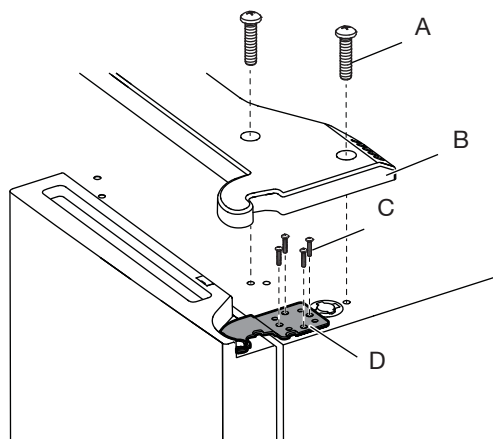
Če tega ne storite, lahko pride do smrti ali električnega udara.

### Odstranitev desnega ročaja

1. Odklopite hladilnik ali odklopite napajanje.
2. Vrata hladilnika naj bodo zaprta, dokler ne boste pripravljene jih dvigniti z omarice.

**OPOMBA:** Zagotovite dodatno oporo za vrata hladilnika, ko so tečaji odstranjeni. Ne zanašajte se na oprijem tesnila vrat, da bo držalo vrata na mestu, medtem ko delate.

3. S križnim izvijačem odstranite pokrov z vrhnjega tečaja.
4. Z nasadnim ključem 5 mm odstranite štiri vijake na vrhnjega tečaja in jih shranite.



A. Vijak pokrova zgornjega tečaja

B. Pokrov zgornjega tečaja

C. 5 mm nasadni vijaki

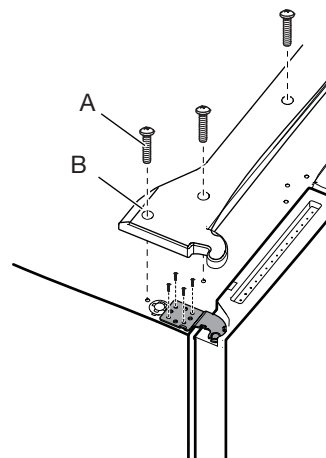
D. Zgornji tečaj

5. Dvignite vrata hladilnika z zatiča srednjega tečaja. Zgornji tečaj se odstrani skupaj z vrati.

### Odstranitev levega ročaja

**POMEMBNO:** Napeljava za UV gre skozi levi tečaj vrat, zato se jo mora odklopiti preden odstranite vrata.

1. S križnim izvijačem odstranite pokrov z vrhnjega tečaja.

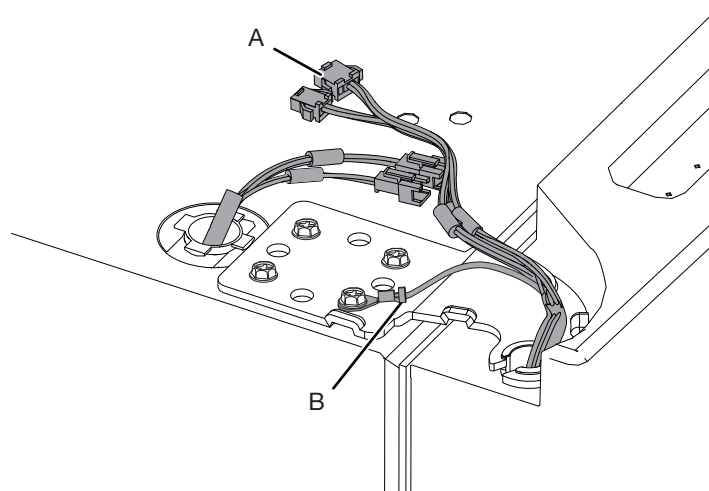


A. Vijak pokrova zgornjega tečaja

B. Pokrov zgornjega tečaja

2. Odklopite dva vtiča napeljave, ki se nahajata na vrhu tečaja.

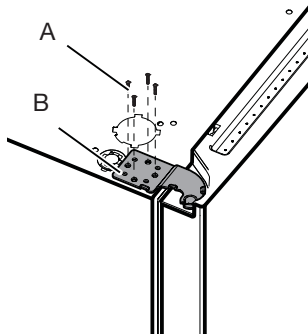
- Primite na obeh straneh vtiča napeljave. Z levim palcem pritisnite navzdol, da sprostite zaponko in povlecite dela vtiča narazen.



A. Vtič napeljave

B. Ozemljitveni spojnik

- Z nasadnim ključem 5 mm odstranite štiri notranje vijake na vrhnjega tečaja in jih shranite.



A. 5 mm nasadni vijaki  
B. Zgornji tečaj

**OPOMBA:** Zagotovite dodatno oporo za vrata hladilnika, ko tečaje odstranjujete. Ne zanašajte se na oprijem tesnila vrat, da bo držalo vrata na mestu, medtem ko delate.

- Dvignite vrata hladilnika z zatiča spodnjega tečaja. Zgornji tečaj se odstrani skupaj z vrati.

**OPOMBA:** Za premikanje hladilnika skozi vrata sestava spodnjega tečaja in nastavljive noge morda ne bo treba odstraniti.

- Samo, če je potrebno, uporabite nasadni ključ 6 mm in #2 križni izvijač, da odstranite srednji tečaj.

#### Zamenjava desnih vrat hladilnika

- Desna vrata postavite na zatič srednjega tečaja.
- Vstavite zatič zgornjega tečaja v odprtino na vrhu vrat hladilnika.
- Z nasadnimi vijaki 5 mm privijte tečaj na omaro. Vijakov ne pritegnite popolnoma.

#### Zamenjava levih vrat hladilnika

- Leva vrata postavite na zatič srednjega tečaja.
- Z nasadnimi vijaki 5 mm privijte tečaj na omaro. Vijakov ne pritegnite popolnoma.
- Znova priklopite električno napeljavo.
  - Potisnite skupaj oba dela vtiča napeljave.
  - Znova priklopite ozemljitveni vodnik na vijak tečaja.

#### Zadnji koraki

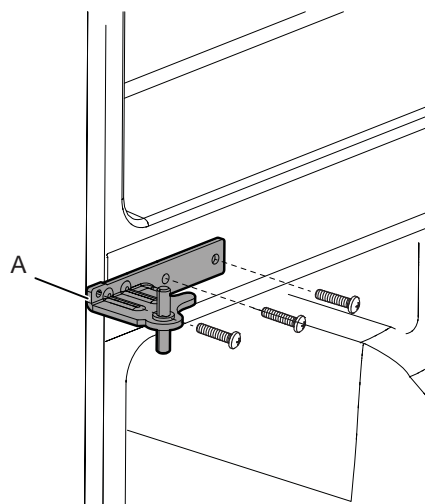
- Popolnoma privijte osem vijakov 5 mm.
- Zamenjajte pokrova zgornjih tečajev.

## Odstranitev in zamenjava vrat zamrzovalnika/Flexi Freeze

- Vrata zamrzovalnika naj bodo zaprta, dokler ne boste pripravljene jih dvigniti z omarice.

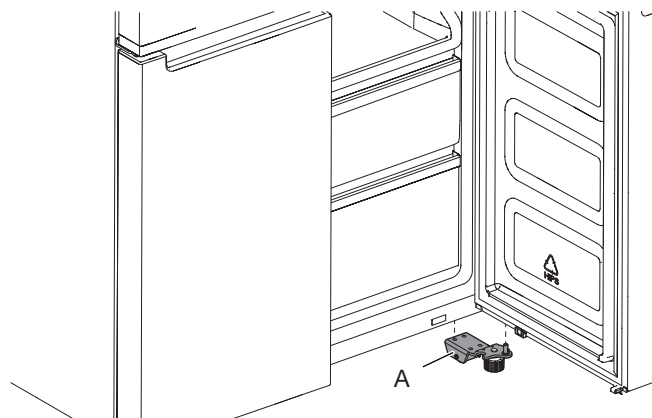
**OPOMBA:** Zagotovite dodatno oporo za vrata zamrzovalnika, ko tečaje odstranjujete. Ne zanašajte se na oprijem tesnila vrat, da bo držalo vrata na mestu, medtem ko delate.

- Uporabite #2 križni izvijač in nasadni ključ 6 mm ter odstranite srednji tečaj z omare.



A. Srednji tečaj

- Dvignite vrata z zatiča spodnjega tečaja.



A. Spodnji tečaj

## ⚠ OPOZORILO



### Nevarnost električnega udara

Priklopite ozemljitveni vodnik.

Ne odstranjujte ozemljitvene palice.

Ne uporabljajte adapterja.

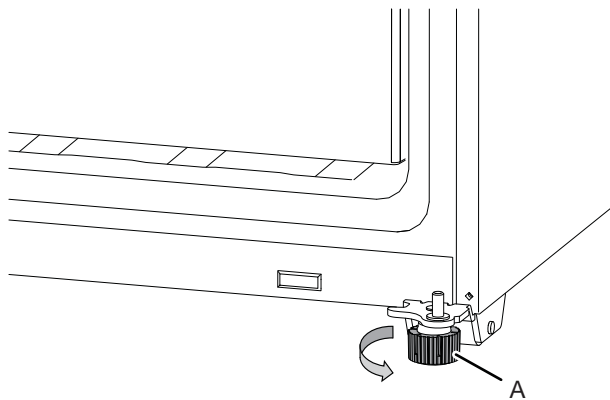
Ne uporabljajte podaljška kabla.

Če ne upoštevate teh navodil, lahko pride do smrti ali električnega udara.

1. Priklopite ozemljitveni vodnik.
2. Vrnite vse odstranljive dele in predale za hrano.

## Uravnavanje hladilnika

1. Premaknite hladilnik v končni položaj.
2. Z roko obrnite zaporno nogo. Obračajte ga v levo stran, dokler nista valjčka stran od tal in sta obe zaporni nogi v stiku s tlemi. To preprečuje premikanje hladilnika naprej, ko odprete vrata.



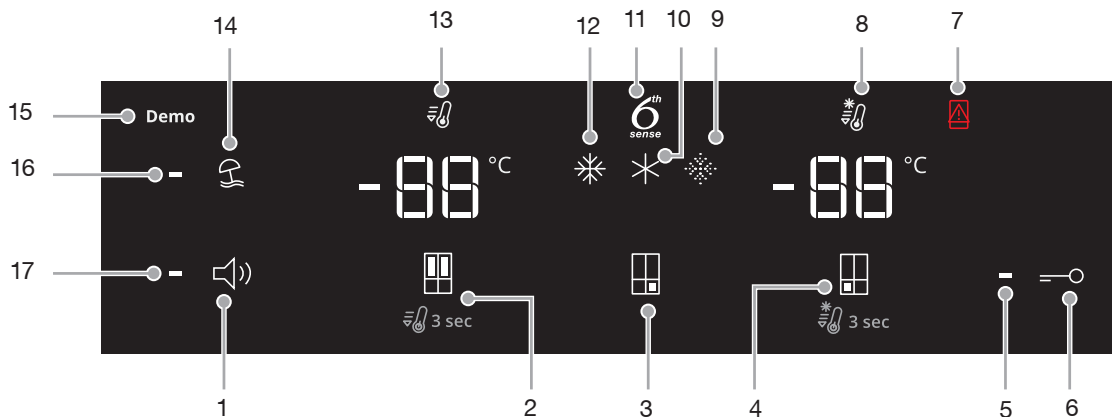
A. Zaporna noga

**POMEMBNO:** Če morate narediti dodatne prilagoditve, ki vključujejo zaporni nogi, morate obrniti obe zaporni nogi za enako vrednost, da ohranite uravnanost hladilnika.

3. Uporabite vodno tehtnico, da zagotovite vodoravnost od strani do strani in od spredaj nazaj.

## Uporaba tipk

Tipke z aktiviranjem na dotik se nahajajo na levih vratih hladilnika. Nadzorna plošča vsebuje informacije o raznih gumbih in kazalnikih. Kazalnik temperature hladilnika in zamrzovalnika prikazuje zadnjo nastavitve temperature.



1. Tipka za VKLOP/IZKLOP zvoka
2. Tipka temperature hladilnika (pridržite 3 sekunde za hitro ohlajanje)
3. Tipka temperature nastavitve Flexi Freeze (samo pri WQ9 B1L, 6WM591NIHAS in WQ70900SXX)
4. Tipka temperature zamrzovalnika (pridržite 3 sekunde za hitro zamrzovanje)
5. Kazalnik zaklepanja
6. Tipka zaklepanja
7. Kazalnik odprtih vrat
8. Kazalnik hitrega zamrzovanja
9. Kazalnik mehkega zamrzovanja (samo pri WQ9 B1L, 6WM591NIHAS in WQ70900SXX)
10. Kazalnik srednjega zamrzovanja (samo pri WQ9 B1L, 6WM591NIHAS in WQ70900SXX)
11. Kazalnik 6. čut
12. Kazalnik trdega zamrzovanja (samo pri WQ9 B1L, 6WM591NIHAS in WQ70900SXX)
13. Kazalnik hitrega hlajenja
14. Tipka načina počitnice
15. Kazalnik demo načina (samo pri WQ9 B1L, 6WM591NIHAS in WQ70900SXX)
16. Kazalnik načina počitnice
17. Kazalnik zvoka

Nadzorna plošča se po eni minuti neaktivnosti samodejno izklopi. Če želite vklopiti nadzorno ploščo, pritisnite katero koli tipko.

### - 88 Pregled in prilagajanje nastavljenih temperaturnih točk

#### Nastavitev temperature hladilnika in zamrzovalnika:

Za vaše udobje so nastavitve vašega hladilnika in zamrzovalnika tovarniško vnaprej nastavljene.

Ko prvič namestite hladilnik, se prepričajte, da so nastavitve še nastavljene na priporočene nastavitvene točke.

Tovarniško priporočene nastavitvene točke so 3°C za hladilnik in -18°C za zamrzovalnik.

S pritiskom na tipko za nastavitev temperature hladilnika ali zamrzovalnika se točka nastavitve temperature preklopi v stopinje Celzija (°C).

#### POMEMBNO:

- Počakajte 24 ur, preden daste hrano v hladilnik. Če daste hrano preden se hladilnik popolnoma ohladi, se lahko hrana pokvari.  
**OPOMBA:** Prilagoditev nastavljenih točk na priporočeno nastavitve hladnejšo od priporočene, se oddelki ne bodo hitreje ohladili.
- Če je temperatura v hladilniku ali zamrzovalniku nastavljena na preveč toplo ali hladno, najprej preverite zračne odprtine, da se prepričate, da niso blokirane, preden prilagodite nastavitve.
- Priporočene nastavitve naj bi bile pravilne za običajno uporabo v gospodinjstvu. Kontrolniki so pravilno nastavljeni, ko sta mleko ali sok hladna kot želite, in ko je sladoleđ čvrst.  
**OPOMBA:** Območja, kot so garaža, klet ali veranda, imajo lahko višjo vlažnost ali ekstremne temperature. V teh pogojih boste morda morali prilagoditi temperaturo za tovrstne pogoje.
- Počakajte najmanj 24 ur med nastavitvami. Ponovno preverite temperaturo, preden opravite druge prilagoditve.

### 6<sup>th</sup> čut Fresh Lock in nadzor zamrznitve

Senzor 6. ČUT Fresh Lock zagotavlja natančnost in skladnost nadzora temperature za dolgotrajno ohranjanje svežine hrane na kar se da naraven način. Ko je zaznana sprememba temperature, senzor aktivira kompresor, ki hitro obnovi prvotno temperaturo.

Senzor 6. ČUT zamrznitve zmanjšuje nihanja temperature v zamrzovalniku zaradi inovativnega sistema za uravnavanje temperature. Ožganine zamrzovalnika so zmanjšane na ohranjanje kakovosti in barve hrane.

### \* \* \* Nastavitev Flexi Freeze (samo pri WQ9 B1L, 6WM591NIHAS in WQ70900SXX)

Funkcija Flexi Freeze omogoča vnaprejšnjo nastavitve temperature oddelka Flexi freeze.

Simbol	Funkcija	Temperatura
☼	Tradicionalni zamrzovalnik	-18°C
✱	Srednji zamrzovalnik	-12°C
☼	Mehki zamrzovalnik	-7°C

\* Za vklop/izklop najhladnejše nastavitve (-20°C) pritisnite tipko nastavitve temperature Flexi Freeze [ ] za 3 sekunde.

### Prilagajanje nastavitve za več temperatur



- Tradicionalni zamrzovalnik (-18°C): Že zamrznjena in sveža hrana (največ 12 mesecev)
- Srednji zamrzovalnik (-12°C): Že zamrznjena hrana (največ 1 mesec)
- Mehki zamrzovalnik (-7°C): Že zamrznjena hrana (največ 1 teden)

**Pri nastavljanju nastavitvenih točk temperature uporabite naslednji grafikon kot vodilo:**

STANJE	PRILAGODITEV TEMPERATURE
Hladilnik preveč hladen	Nastavite hladilnik za 1° višje
Hladilnik preveč topel	Nastavite hladilnik za 1° nižje
Zamrzovalnik preveč hladen	Nastavite zamrzovalnik za 1° višje
Zamrzovalnik preveč topel/ premalo ledu	Nastavite zamrzovalnik za 1° nižje



### Hitro ohlajanje

Funkcija hitrega ohlajanja pomaga v obdobjih velike uporabe hladilnika, polne obremenitve z živili ali začasno visokih sobnih temperaturah.

- Za vklop funkcije hitrega ohlajanja pritisnite in držite gumb temperature hladilnika  3 sekunde. Ko je funkcija vključena, bo osvetljena ikona hitrega ohlajanja. Funkcija hitrega ohlajanja deluje 2 uri, razen če jo ročno izklopite.
- Za ročni izklop funkcije hitrega ohlajanja pritisnite in držite gumb temperature hladilnika  3 sekunde. Ikona hitrega ohlajanja se bo izklopila, ko funkcija ni aktivirana.
- Z nastavljanjem temperature hladilnika se funkcija hitrega ohlajanja samodejno izklopi.

### Hitro zamrzovanje

Količina sveže hrane (v kg), ki jo je mogoče zamrzniti v 24 urah, je navedena na tablici s podatki aparata.

- Pritisnite gumb temperature zamrzovalnika  za 3 sekunde (dokler se ne vklopi indikator hitrega zamrzovanja), 24 ur pred dajanjem sveže hrane v zamrzovalnik. Po dajanju sveže hrane v zamrzovalnik običajno zadostuje 24 ur delovanje funkcije hitrega zamrzovanja; Po 50 urah se funkcija za hitro zamrzovanje samodejno izklopi.
- Za ročni izklop funkcije hitrega zamrzovanja pritisnite in držite gumb temperature zamrzovalnika  3 sekunde. Ikona hitrega zamrzovanja se izklopi.
- Z nastavljanjem temperature zamrzovalnika se funkcija hitrega zamrzovanja samodejno izklopi.

### Počitniški način

Ta način je zasnovan za preprečitev nepotrebne porabe energije v času, ko se aparata ne redno uporablja (na primer, ko ste na počitnicah).

Z izbiro te funkcije se temperatura hladilnega prostora (RC) samodejno nastavi na najtoplejšo nastavitveno točko.

- Za uporabo načina počitnic pritisnite gumb načina, dokler se na zaslonu ne vklopi indikator počitniškega načina.
- Za izhod iz načina počitnic pritisnite gumb načina, dokler ikona na zaslonu ne ugasne.
- Z nastavljanjem temperature hladilnika se funkcija počitniškega načina samodejno izklopi.

**POMEMBNO: Če je izbran ta način, je treba vse hrano in pijačo odstraniti iz hladilnega prostora.**

### VKLOP/IZKLOP zvoka

Pritisnite gumb za aktiviranje/deaktiviranje zvočnega odzivanja.

### Zaklepanje tipk

- Pritisnite in držite gumb za zaklepanje 3 sekunde, da aktivirate funkcijo zaklepanja.
- Za deaktiviranje zaklepanja pritisnite in držite tipko za zaklepanje 3 sekunde.

Funkcija zaklepanja bo prezrla vsa dejanja z nadzorno ploščo, dokler uporabnik ne odklene nadzorne plošče. Ta funkcija je namenjena preprečitvi nenamernega spreminjanja nastavitvev.

### **Demo način (samo pri WQ9 B1L, 6WM591NIHAS in WQ70900SXX)**


Ta način se uporablja, ko je hladilnik razstavljen v trgovini ali če želite izklopiti hlajenje in izključiti vse druge funkcije (razen osvetlitve notranjosti).

Demo način lahko uporabite, če greste na daljše počitnice. Glejte poglavje "Nega med počitnicami in pri selitvi" za pravilna dejanja, ko hladilnik pustite v tem načinu za daljše časovno obdobje.

- Če vklopite demo način, bo na zaslonu osvetljena ikona "Demo".
- Vstopite ali izstopite iz demo načina, tako da sočasno pritisnete in 3 sekunde držite tipko za vklop ali izklop zvoka in tipko za zaklepanje.

### **Dodatne funkcije**

#### **Alarm odprtih vrat**

- Funkcija alarma odprtih vrat sproži zvočni alarm in z utripanjem ikone  "Odprta vrata", če so katerikoli od štirih vrata odprta 2 minuti ali več.
- Alarm se ponovi vsakih 5 minut. Zaprite vsa vrata, da ga izklopite.

**OPOMBA:** Če želite izključiti zvočni alarm in ohraniti odprta vrata, na primer pri čiščenju notranjosti hladilnika, se dotaknite gumba na nadzorni plošči. Zvočni alarm se bo začasno izklopil, toda ikona odprtih vrat bo še vedno prikazana na nadzorni plošči.

### **Osvetlitev hladilnika**

Hladilnik ima notranjo luč, ki se vklopi ob vsakem odprtju vrat.

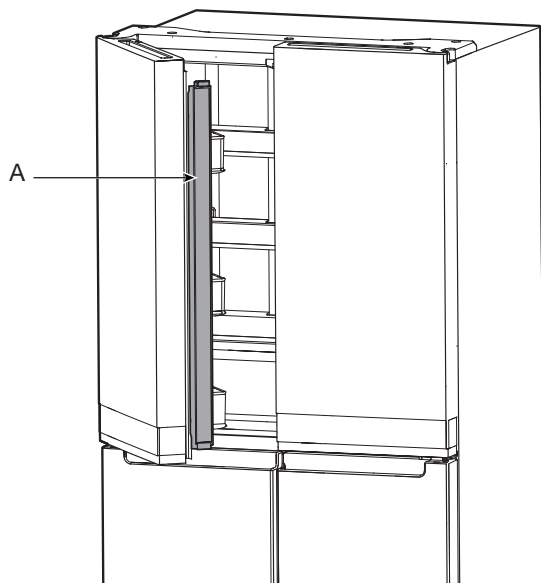
**OPOMBA:** Svetilo je vrste LED, ki ga ne morete zamenjati. Če LED svetilka ne sveti, ko so vrata odprta, za zamenjavo svetilke pokličite servis.

# UPORABA HLADILNIKA

## Odpiranje in zapiranje vrat

Prisotno je dvoje vrat hladilnega dela. Vrata se lahko odpirajo in zapirajo ločeno ali skupaj. Na levih vratih hladilnika je prisotno vertikalno tesnilo na tečajih.

- Ko odprete leva vrata, se tesnilo na tečajih samodejno prepogne navznoter, tako da ni v oviro.
- Ko sta oboja vrata zaprta, tesnilo na tečajih samodejno oblikuje zatesnitev med dvojimi vrati.

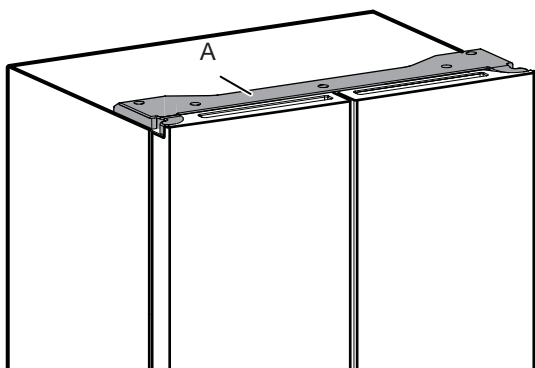


A. Tesnilo na tečajih

Stikalo vrat hladilnega predela se nahaja v pokrovu tečaja zgoraj levo in desno.

- Za zamrzovalnik in več temperaturno območje se stikalo nahaja v spodnjem pokončniku.
- Stikalo vrat je opremljeno z magnetom, ki zaznava odpiranje/zapiranje vrat.
- Zagotovite, da ni magnetnih ali elektronskih naprav (zvočnik, Coolvox® itd.) na razdalji 7,62 cm od tečaja.

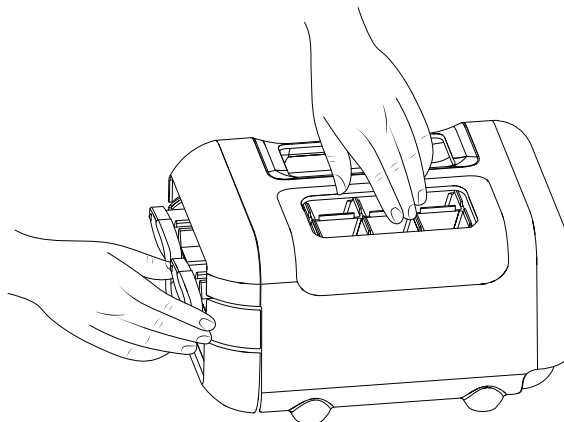
**OPOMBA:** Luč se ne vklopi, če odpiranje vrat ni zaznano.



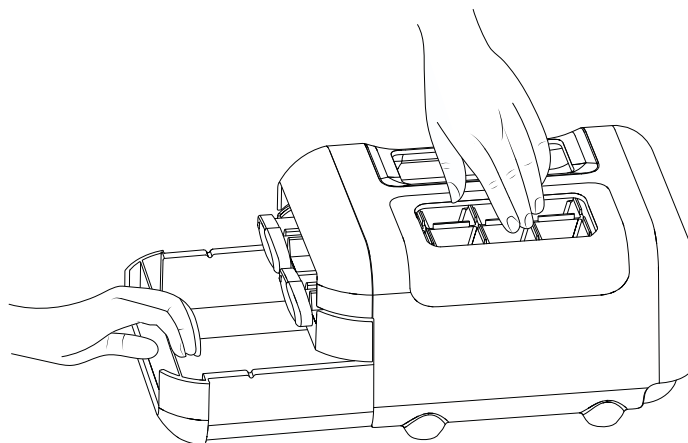
A. Pokrov tečaja

## Izdelovalnik ledu

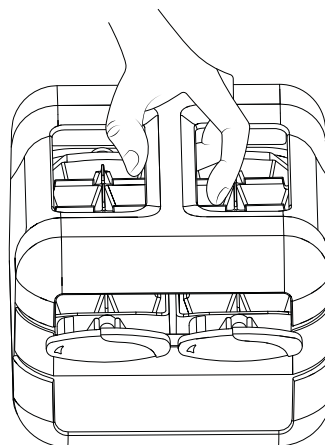
- Za izdelavo ledu napolnite pladenj za led s prečiščeno vodo in postavite ročni izdelovalnik ledu na zgornjo polico zamrzovalnika. Pustite, dokler se led ne oblikuje in ko je led pripravljen, obrnite gumb v desno stran, da izvržete ledene kocke v posodo za led.



- Rahlo dvignite posodo z ledom in jo potegnite navzven, da dobite dostop do ledenih kock.



Ko ledu ne potrebujete, lahko ročni izdelovalnik ledu vzamete iz zamrzovalnika, da v zamrzovalniku naredite več prostora.



## Shranjevanje hrane

### Shranjevanje jajc

Jajca je priporočljivo hraniti pri stalni temperaturi, da ohranijo svojo svežino, zato je najbolje, da jih hranite na srednji polici v hladilniku.



# POLICE, POSODE IN PREDALI

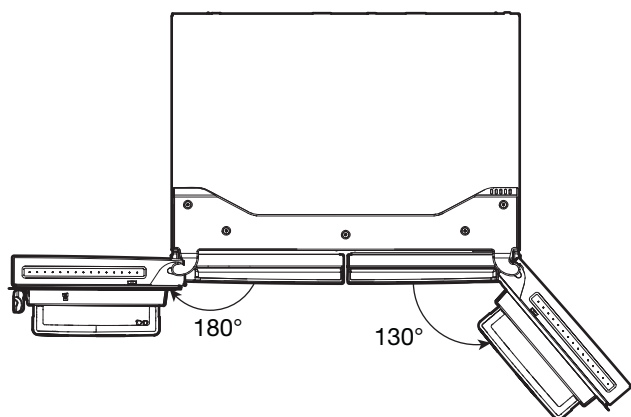
## Pomembne informacije o steklenih policah in pokrovih:

Ne čistite steklenih polic ali pokrovov s toplo vodo, ko so mrzli. Police in pokrovi se lahko zlomijo, če so izpostavljeni nenadnim spremembam temperature ali udarcem. Kaljeno steklo je zasnovano tako, da se razbije številne majhne, prodnate dele. To je normalno. Steklene police in pokrovi so težki. Pri odstranjevanju uporabite obe roki, da vam ne padejo.

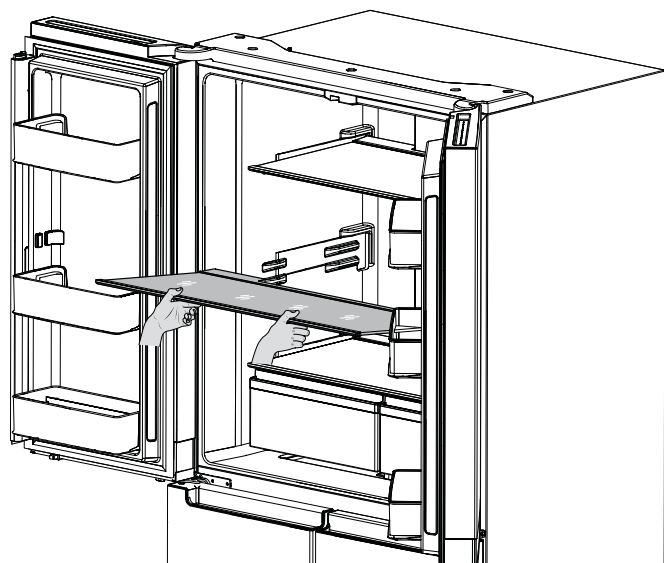
## Nastavitev višine polic

Višino polic lahko nastavite tako, da spremenite mesto postavitve z nižjega nosilca na višjega in obratno

- Odprite desna vrata do polnega odprtja.
- Odprite leva vrata do polnega odprtja in nato dvignite vrata, da jih odprete za 180°.



- Policijo vzemite iz hladilnika in jo postavite v želeni položaj.



- Prepričajte se, da je polica pravilno nameščena na nosilcih police.

## Police in okvirji polic

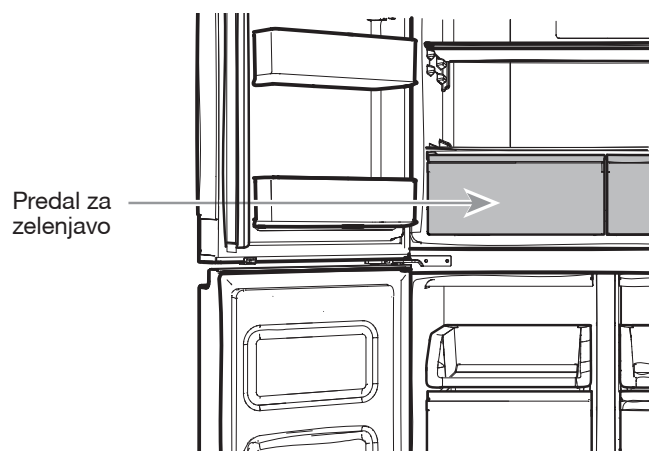
Police v hladilniku so nastavljive tako, da ustrezajo vašim potrebam po hrambi.

Shranjevanje podobnih prehrabnenih izdelkov skupaj v hladilniku in nastavitev police za prileganje različnim višinam predmetov vam omogoči lažje iskanje izdelkov. Prav tako se bo skrajšal čas, ko so vrata hladilnika odprta, kar pomeni prihranek energije.

### Odstranjevanje in zamenjava polic:

1. Odprite desna vrata do polnega odprtja in leva vrata do polnega odprtja. ter dvignite leva vrata, da jih odprete za 180°.
2. Odstranite sredinsko polico ali zgornjo polico tako, da jo dvignete navzgor in ven iz nosilcev. Nato potegnite polico naprej in nagnite navzdol v navpični položaj. Polico obrnite pod kotom in izvlecite iz hladilnika.
3. Odstranite spodnjo polico tako, da jo dvignete navzgor in ven iz nosilcev. Nato potegnite polico naprej in nagnite navzgor v navpični položaj. Polico obrnite pod kotom in izvlecite iz hladilnika.
4. Zamenjajte sredinsko in zgornjo polico tako, da polico postavite v hladilnik nagnjeno pod kotom s prednjim delom navzdol. Dvignite sprednji del police in ga potisnite, dokler se zadnji del police ne spusti v nosilca. Spustite sprednji del police in se prepričajte, da je polica na mestu.
5. Zamenjajte spodnjo polico tako, da polico postavite v hladilnik nagnjeno pod kotom s prednjim delom navzgor. Znižajte sprednji del police in ga potisnite, dokler se zadnji del police ne spusti v nosilca. Znižajte sprednji del police in se prepričajte, da je polica na mestu.

## Predali za zelenjavo

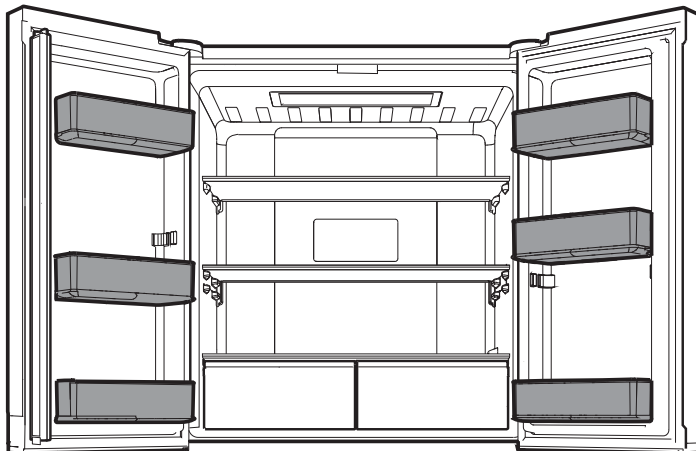


### Odstranitev in zamenjava predalov:

1. Primite za ročaj predala in ga potegnite naravnost do omejevalnika. Dvignite predal s spodnjega vodila.
2. Zamenjajte/ponovno namestite predal tako, da ga postavite na spodnje vodilo in predal potisnete na mesto do omejevalnika.

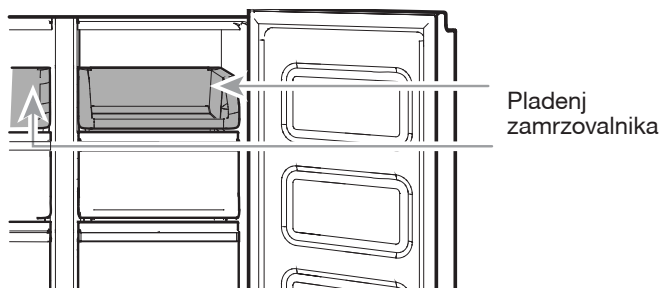
## Posode na vratih hladilnika

Posode na vratih hladilnika so nastavljive tako, da ustrezajo vašim potrebam po hrambi.



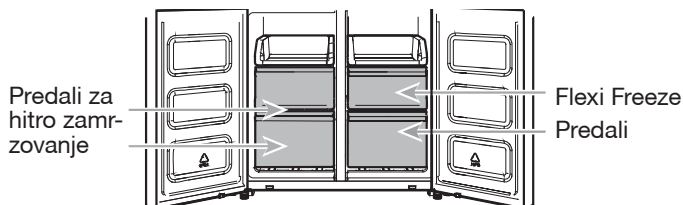
## Prostori za shranjevanje v zamrzovalniku

### Pladenj zamrzovalnika



Pladenj zamrzovalnika je uporaben za enostaven dostop do pogosto uporabljenih izdelkov, za zamrznitev ali preprosto shranjevanje ostankov ali majhnih predmetov.

### Predali zamrzovalnika



### Predelek hitrega zamrzovanja

- Predali za hitro zamrzovanje omogočajo priročno shranjevanje velikih postavk.
- Možnost hitrega zamrzovanja omogoča varno in pregledno shranjevanje zamrznjene hrane.

### Predelek Flexi Freeze (samo pri WQ9 B1L, 6WM591NIHAS in WQ70900SXX)

Predelek Flexi Freeze omogoča izbiro ene od treh stopenj temperature zamrzovalnika:  $-7^{\circ}\text{C}$ ,  $-12^{\circ}\text{C}$  in  $-18^{\circ}\text{C}$ , da se zagotovi najboljše pogoje shranjevanja različnih vrst živil.

Za največjo kapaciteto zamrzovanja lahko odstranite predal zamrzovalnika, da razkrijete zamrzovalno polico.

### Za odstranitev zgornjega predala:

1. Primate za ročaj predala in ga potegnite naravnost do omejevalnika. Dvignite predal s spodnjega vodila.
2. Zamenjajte/ponovno namestite predal tako, da ga postavite na spodnje vodilo in predal potisnete na mesto do omejevalnika.

### Polica zamrzovalnika (samo pri WQ9 E1L in WQ9 B1L)

Če želite maksimalno povečati kapaciteto zamrzovalnika, lahko odstranite srednji predal, da odkrijete polico zamrzovalnika. S tem lahko shranite zgornji predal in naložite hrano neposredno na polico.

## Zvočne reference

### Določitev tona

Ime tona	Primer uporabe
Vklop	Hladilni sistem se vklopi vsakič, ko se izdelek napaja.
Pritisk na tipko	Uporabnik pritisne veljavno tipko.
Neveljavno (napaka)	Uporabnik istočasno pritisne na dve ali več veljavnih tipk. Prekineitev odštevanja zaradi pritiska in držanja tipke.
Vklopi	Potrditve vstopa v kateri koli način.
Odklopi	Potrditve izstopa iz katerega koli načina.
Opozorilo	Opozorilo vrat Ajar.

Ta tabela je samo za hitro sklicevanje. Za podrobnosti glejte v ustreznih razdelkih. V primeru neskladnosti prevladajo podrobnosti oddelka.

## Dodatki

Če želite naročiti dodatno opremo, se obrnite na prodajalca, pri katerem ste kupili hladilnik.

## Pomoč ali servis

Preden zaprosite za pomoč ali storitev, preberite razdelek "Odpravljanje težav". Lahko vam prihrani stroške servisnega klica. Če še vedno potrebujete pomoč, sledite spodnjim navodilom.

### Če potrebujete nadomestne dele

Če želite poiskati tovarniško določene nadomestne dele v vašem območju, se obrnite na prodajalca, pri katerem ste kupili hladilnik.

### Garancija

Za informacije o garanciji se obrnite na prodajalca, pri katerem ste kupili hladilnik.

**To knjižico in potrdilo o nakupu hranite skupaj za nadaljnjo uporabo. Za uveljavitev garancije morate predložiti dokazilo o nakupu ali namestitvi.**

Zapišite si naslednje podatke o aparatu, ki vam bodo pomagali pri pridobivanju pomoči ali storitve, če jo boste kdaj potrebovali. Poznati morate celotno številko modela in serijsko številko. Te informacije najdete na nalepki modela in serijske številke, ki se nahaja na notranji steni hladilnega prostora.

Ime prodajalca \_\_\_\_\_

Serijska številka \_\_\_\_\_

Naslov \_\_\_\_\_

Telefonska številka \_\_\_\_\_

Številka modela \_\_\_\_\_

Datum nakupa \_\_\_\_\_

# NEGA HLADILNIKA

## Čiščenje

### ⚠ OPOZORILO



#### Nevarnost eksplozije

Uporabljajte nevnnetljivo čistilo.

Če tega ne storite, lahko pride do smrti, eksplozije ali požara.

Vsi deli hladilnika, zamrzovalnika in Flexi zamrzovanja (samo z WQ9 B1L, 6WM591NIHAS in WQ70900SXX ) se odmrznejo samodejno. Vendar pa enkrat mesečno očistite vse dele, da se izognete nastajanju vonjav. Razlitje takoj očistite.

### Čiščenje zunanosti

Prosim, glejte za vaš model specifične informacije o čiščenju zunanosti.

#### Slog 1 – Gladka vrata

**POMEMBNO:** Garancija ne pokriva poškodb gladkih površin zaradi nepravilne uporabe čistilnih sredstev ali uporabe nepriporočenih čistilnih sredstev. Ostri ali grobi instrumenti poškodujejo površino.

UPORABITE	NE UPORABITI
✓ Mehko, čisto krpo	✗ Abrazivne krpe ✗ Papirnate brisače ali časopisni papir ✗ Blazinice jeklene volne
✓ Toplo milnico z blagim detergentom	✗ Abrazivni praški ali tekočine ✗ Pršilo za okna ✗ Amoniak ✗ Čistila na osnovi kisline ali kisa ✗ Čistila za pečice ✗ Vnetljive tekočine

**OPOMBA:** Papirnate brisače opraskajo in lahko otopi površino lakiranih vrat. Da bi se izognili morebitnim poškodbam, uporabite le mehko in čisto krpo za poliranje in obrišite vrata.

#### Slog 2 – Nerjavno jeklo

##### POMEMBNO:

- Uporabljajte le priporočena čistila in tkanine za nerjavno jeklo. Garancija ne pokriva poškodb površin iz nerjavnega jekla zaradi nepravilne uporabe čistilnih sredstev ali uporabe nepriporočenih čistilnih sredstev.
- Izogibajte se izpostavljanju aparatov iz nerjavnega jekla jedkim ali korozivnim elementom, kot so okolje z veliko soli, visoko vlago ali visoko vlažnostjo. Garancija ne pokriva škode zaradi izpostavljenosti tem elementom.

UPORABITE	NE UPORABITI
✓ Mehko, čisto krpo	✗ Abrazivne krpe ✗ Papirnate brisače ali časopisni papir ✗ Blazinice jeklene volne
✓ Toplo milnico z blagim detergentom	✗ Abrazivni praški ali tekočine ✗ Amoniak ✗ Citrusna čistila ✗ Čistila na osnovi kisline ali kisa ✗ Čistila za pečice
✓ Za trdovratno umazanijo uporabite samo čistilo za nerjavno jeklo, namenjeno za aparate. Če želite naročiti čistilo, se obrnite na prodajalca, pri katerem ste kupili hladilnik.	✗ Čistilo za nerjavno jeklo je namenjeno samo za dele iz nerjavnega jekla. Ne dopustite, da bi čistilo in polirno sredstvo za nerjavno jeklo prišlo v stik s plastičnimi deli, kot so na primer deli oblog, pokrovi razpršilnikov ali tesnila na vratih.

#### Slog 3 – Na prstne odtise odporno nerjavno jeklo

##### POMEMBNO:

- Izogibajte se izpostavljanju aparatov iz nerjavnega jekla jedkim ali korozivnim elementom, kot so okolje z veliko soli, visoko vlago ali visoko vlažnostjo. Garancija ne pokriva škode zaradi izpostavljenosti tem elementom.

UPORABITE	NE UPORABITI
✓ Mehko, čisto krpo	✗ Abrazivne krpe ✗ Papirnate brisače ali časopisni papir ✗ Blazinice jeklene volne
✓ Toplo milnico z blagim detergentom	✗ Abrazivni praški ali tekočine ✗ Pršilo za okna ✗ Amoniak ✗ Čistila na osnovi kisline ali kisa ✗ Čistila za pečice ✗ Vnetljive tekočine

##### OPOMBE:

- Če pride do nenamernega stika, očistite plastični del z gobico in blagim detergentom v topli vodi. Temeljito osušite z mehko krpo.
- Če je čistilo tekoče, to ne pomeni, ni abrazivno. Mnoga tekoča čistila, zasnovana za nežno delovanje na ploščicah in gladkih površinah še vedno lahko poškodujejo nerjavno jeklo.
- Citronska kislina trajno razbarva nerjavno jeklo.
- Da ne pride do poškodovanja površine hladilnika iz nerjavnega jekla:

##### Ne dovolite, da te snovi ostanejo na površini:

- ✗ Gorčica
- ✗ Citrusove omake
- ✗ Paradižnikov sok
- ✗ Izdelki na osnovi citrusov
- ✗ Marinara omaka

---

## Čiščenje notranjosti

---

1. Odklopite hladilnik ali odklopite napajanje.
2. Temeljito ročno operite, splaknite in osušite odstranljive dele in notranje površine. Uporabite čisto gobo ali mehko krpo in blag detergent v topli vodi.  
**OPOMBA:** Na plastičnih delih, notranjih in vratnih oblogah ali tesnilih ne uporabljajte abrazivnih in grobih čistil, kot so razpršila za okna, groba čistilna sredstva, vnetljive tekočine, čistilni voski, koncentrirani detergenti, belila ali čistila, ki vsebujejo naftne derivate.
3. Priključite hladilnik ali ponovno priključite napajanje.

---

## Čiščenje kondenzatorja

---

Ta hladilnik je na obeh straneh opremljen s kondenzatorjem. Normalno je, da na straneh občutite toploto.

---

## Luči

---

Luči v predelih hladilnika in zamrzovalnika so vrste LED, ki jih ni treba zamenjati. Če luči ne sveti, ko so vrata odprta, se obrnite na prodajalca, pri katerem ste kupili hladilnik.

---

## Nega med počitnicami in pri selitvi

---

### Počitnice

---

**Če se odločite, da ostane hladilnik vključen, ko ste na poti:**

1. Porabite vse kvarljive stvari in zamrznite ostale.
2. Če ima vaš hladilnik avtomatski izdelovalec ledu in je ta priključen na hišni vodovod, izklopite napajanje hladilnika z vodo. Če dovoda vode ne zaprete, lahko pride do poškodovanja imovine.
3. Če imate avtomatski izdelovalec ledu, ga izklopite.
  - Pritisnite stikalo za izklop (O) izdelovalca ledu na vratih.
4. Izpraznite posodo z ledom.

**Če želite izključiti hladilnik pred potovanjem:**

**OPOMBA:** Ko ste na počitnicah, postavite hladilnik v Demo način. Glejte razdelek "Uporaba tipk".

1. Odstranite vso hrano iz hladilnika.
2. Če ima vaš hladilnik avtomatski izdelovalec ledu:
  - Izklopite dovod vode do izdelovalnika ledu vsaj 1 dan pred odhodom.
  - Ko se zaključi zadnji vnos ledu, pritisnite stikalo na izklop (O), da se izklopi prikazovalnik na zgornjem delu hladilnika, odvisno od vašega modela.
3. Izpraznite posodo ledu.
4. Izklopite kontrolnike temperature. Glejte razdelek "Uporaba tipk".
5. Očistite hladilnik, obrišite ga in dobro osušite.
6. Namestite bloke iz gume ali lesa na vrh obeh vrat, da ostanejo dovolj odprta, da se notranjost lahko prezračuje. To preprečuje nastanek vonjav in plesni.

---

## Prenos

---

Ko vaš hladilnik prenesete v nov dom, sledite tem korakom, da ga pripravite za premikanje.

1. Če ima vaš hladilnik avtomatski izdelovalec ledu:
  - Izklopite dovod vode do izdelovalnika ledu vsaj 1 dan pred odhodom.
  - Odklopite vodno linijo s hrbtne strani hladilnika.
  - Ko se zaključi zadnji vnos ledu, pritisnite stikalo na izklop (O), bodisi na izdelovalniku ledu ali s kontrolnikom, odvisno od vašega modela.
2. Odstranite vso hrano iz hladilnika in zamrznite hrano na suhem ledu.
3. Izpraznite posodo ledu.
4. Odklopite hladilnik.
5. Temeljito ga očistite, obrišite in osušite.
6. Vzemite ven vse odstranljive dele, jih zavijte in skupaj prelepitate s trakom, da se med prevozom ne bodo premikali in ropotali.
7. Odvisno od modela, dvignite sprednji del hladilnika, da ga lažje peljete, ali dvignite nastavitvene vijake, da ne bodo odrgnili ob tla. Glejte oddelka "nastavitev vrat" ali "Uravnavanje zamrzovalnika in zapiranje vrat".
8. Zaprta vrata prelepitate s trakom in napajalni kabel prilepitate na hrbtišče hladilnika.

Ko pridete v vaš novi dom, postavite vse nazaj na svoje mesto in glejte navodila za pripravo v oddelku "Navodila za namestitev". Če imate v hladilniku avtomatski izdelovalec ledu, ne pozabite ponovno priključiti dovod vode na hladilnik.

# ODPRAVLJANJE TEŽAV

Najprej preizkusite tu predlagane rešitve, da bi se morda izognili klicu servisa.

## ⚠ OPOZORILO



### Nevarnost električnega udara

**Priklopite ozemljitveni vodnik.**

**Ne odstranjujte ozemljitvene palice.**

**Ne uporabljajte adapterja.**

**Ne uporabljajte podaljška kabla.**

**Če ne upoštevate teh navodil, lahko pride do smrti ali električnega udara.**

Če ugotovite	Možni vzroki	Rešitev
<b>Delovanje hladilnika</b>		
Hladilnik ne deluje.	Preverite električno napajanje.	Priklopite napajalni kabel v ozemljeno vtičnico. Ne uporabljajte podaljškov kabla. Prepričajte se, da je vtičnica pod napetostjo. Priklopite luč, da preverite, ali vtičnica deluje. Ponastavite odklopljeno stikalo. Zamenjajte vse pregorele varovalke. <b>OPOMBA:</b> Če se težave nadaljujejo, se obrnite na elektrikarja.
	Preverite kontrolnike.	Preverite, ali so kontrolniki vklopljeni. Glejte razdelek "Uporaba tipk".
	Nova namestitvev.	Po namestitvi počakajte 24 ur, da se hladilnik popolnoma ohladi. <b>OPOMBA:</b> Če nastavite temperaturne tipke na najhladnejšo nastavitvev, se predelek ne bo ohladil hitreje.
	Hladilnik je v načinu Demo (pri nekaterih modelih).	Če je hladilnik v načinu Demo, se hlajenje izklopi in na nadzorni plošči sveti ikona "Demo". Glejte razdelek "Uporaba tipk".
Zdi se, da motor deluje predolgo.	Visoka zmogljivost kompresorja in ventilatorjev.	Večji, učinkovitejši hladilniki delujejo dlje z manjšo, bolj energijsko učinkovito hitrostjo.
	Temperatura v prostoru ali zunaj je visoka.	Normalno je, da v teh pogojih hladilnik deluje dlje. Za optimalno delovanje postavite hladilnik v notranji prostor, s temperaturno nadzorovanim okoljem. Glejte oddelek "Zahteve lokacije".
	Pred kratkim je bilo dodano veliko tople hrane.	Topla hrana bo povzročila, da bo hladilnik deloval dlje, dokler se zrak ne ohladi na zeleno temperaturo.
	Vrata se odpirajo prepogosto ali predolgo.	Vroč zrak, ki vstopa v hladilnik, povzroči daljše delovanje. Odpirajte vrata manj pogosto.
	Odperta so vrata hladilnika ali predal zamrzovalnika.	Poskrbite, da bo hladilnik stal vodoravno. Glejte oddelek "Upravljanje zamrzovalnika in zapiranje vrat". Pazite, da hrana in posode ne ovirajo vrat.
	Upravljanje hladilnika je preveč hladno nastavljeno.	Upravljanje hladilnika nastavite na manj hladno nastavitvev, da bo v hladilniku zelena temperatura.
	Tesnila vrat ali predalov so umazana, obrabljena ali razpokana.	Očistite ali zamenjajte tesnilo. Puščanje tesnila vrat povzroči daljše delovanje hladilnika, da ta ohranja zeleno temperaturo.

# ODPRAVLJANJE TEŽAV

Najprej preizkusite tu predlagane rešitve, da bi se morda izognili klicu servisa.

Če ugotovite	Možni vzroki	Rešitev
Luči ne delujejo.	Vaš hladilnik je opremljen s svetili vrste LED, ki jih ne morete zamenjati.	Če je hladilnik vklopljen in luči ne svetijo, ko odprete vrata ali predal, pokličite servis ali asistenco.
	Vrata so odprla dlje kot 10 minut.	Zaprte vrata in predal za ponastavitev in odprite za nadaljevanje opravila z osvetlitvijo.
	Stikalo vrat ne zaznava odprtih vrat.	Zagotovite, da ni magnetov ali elektronskih naprav na razdalji 7,62 cm (3") od pokrova tečaja.
Uporabniški vmesnik za nadzor temperature se ne vklopi.	Uporabniški vmesnik za nadzor temperature je zaspal.	Pritisnite katerikoli gumb v uporabniškem vmesniku, da zbudite uporabniški vmesnik za nadzor temperature.
	Gumbi uporabniškega vmesnika za nadzor temperature ne delujejo dobro.	Poskusite izklopiti in vklopiti napajanje hladilnika, da se gumbi ponastavijo. Če težava ni odpravljena, pokličite servis ali asistenco.
	Uporabniški vmesnik za nadzor temperature se ne napaja.	Preverite kabelski snop pri tečaju vrat.
Nastavitev vmesnika za nadzor temperature ni mogoče prilagoditi.	Vrata so odprte in alarm vrat je aktiviran.	Zaprte vrata.
<b>Nenavaden hrup</b>		
Če želite slišati normalne zvoke hladilnika, pojdite na razdelek Pomoč/FAQ na spletnem mestu blagovne znamke in poiščite "normalni zvoki." Spodaj so navedeni nekateri normalni zvoki z razlagami.		
Hladilnik se zdi hrupen.	Kompresor v novem hladilniku bolj učinkovito regulira temperaturo in porablja manj energije ter deluje tiho.	Zaradi tega zmanjšanja hrupa med delovanjem lahko opazite neznane zvoke, ki pa so normalni.
Zvok kompresorja deluje dlje, kot je bilo pričakovano.	Visoka zmogljivost kompresorja in ventilatorjev.	Večji, učinkovitejši hladilniki delujejo dlje z manjšo, bolj energijsko učinkovito hitrostjo.
Drhtenje/brnenje	Ventilatorji/kompresor se prilagajajo, da optimizirajo zmogljivost med normalnim delovanjem kompresorja.	To je normalno.
Pokanje	Krčenje/širjenje v notranjosti sten, še posebej med začetnim ohlajanjem.	To je normalno.
Sikanje/kapljanje	Pretok hladilnega sredstva ali pretok olja v kompresorju.	To je normalno.
Vibracije	Hladilnik morda ni uravnan.	Nastavite vijake za izravnavo in znižajte nogo, da bo trdno na tleh. Glejte oddelek "Uravnavanje zamrzovalnika in zapiranje vrat".
Rožljanje/ loputanje	Gibanje vodnih linij ob ohišju hladilnika ali predmetov, postavljenih na ohišje hladilnika.	Premaknite odvečno vodno linijo stran od ohišja hladilnika ali pritrdite cev odvečne vode na ohišje. Glejte razdelek "Priklop dovoda vode" ali odstranite elemente z zgornjega dela hladilnika.
Piskanje	Kapljanje vode na grelnik med ciklom odmrzovanja.	To je normalno.
Pretok vode/klokotanje	Sliši se, ko se led tali med ciklom odmrzovanja in voda teče v odtočno posodo.	To je normalno.

# ODPRAVLJANJE TEŽAV

Najprej preizkusite tu predlagane rešitve, da bi se morda izognili klicu servisa.

Če ugotovite	Možni vzroki	Rešitev
<b>Temperatura in vlaga</b>		
Temperatura je previsoka.	Hladilnik je bil pravkar nameščen.	Po namestitvi počakajte 24 ur, da se hladilnik popolnoma ohladi.
	Kontrolniki niso pravilno nastavljeni za pogoje okolja.	Nastavitve kontrolnike za boljše hlajenje. Preverite temperaturo v 24 urah. Glejte razdelek "Uporaba tipk".
	Vrata se odpirajo prepogosto ali niso povsem zaprta. Omogočen je vstop toplega zraka v hladilnik.	Zmanjšajte število odpiranj vrat in vrata naj bodo povsem zaprta.
	Pred kratkim je bilo dodano veliko hrane.	Počakajte več ur, da se hladilnik vrne na normalno temperaturo.
	Vklopljen je demo način.	Izklopite demo način. Glejte razdelek "Uporaba tipk".
	Vklopljen je način počitnic.	Izklopite način počitnic. Glejte razdelek "Uporaba tipk".
Temperatura v hladilniku/predalu je prenizka.	Odzračevalnik(i) hladilnika ne deluje.	Če je prezračevalnik zraka, ki se nahaja zadaj v srednjem delu hladilnika, blokiran s predmeti, nameščenimi neposredno pred njim, se bo hladilnik preveč ohladil. Premaknite predmete stran od prezračevalnika.
	Kontrolniki niso pravilno nastavljeni za pogoje okolja.	Nastavitve kontrolnike na toplejše stanje. Preverite temperaturo v 24 urah. Glejte razdelek "Uporaba tipk".
	Posoda za shranjevanje ledu ni v pravilnem položaju.	Glejte razdelek "izdelovalnik ledu in posoda za shranjevanje".
Temperatura v temperaturno nadzorovanem predalu je prenizka.	Nadzor ni pravilno nastavljen za postavke v predalu.	Prilagodite nastavitve temperature. Glejte "Uporaba tipk" v razdelku "Uporaba hladilnika".
Prisotna je notranja vlaga. <b>OPOMBA:</b> Nekaj vlage je normalno.	Soba je vlažna.	Vlažno okolje prispeva k nastanku vlage.
	Vrata se odpirajo prepogosto ali niso povsem zaprta. Omogočen je vstop vlažnega zraka v hladilnik.	Zmanjšajte število odpiranj vrat in ohranjajte vrata povsem zaprta.
	Vrata so blokirana odprta.	Premaknite pakete hrane stran od vrat.
	Posoda ali polica je v napoto.	Potisnite posodo ali polico nazaj v pravilen položaj.
	Shranjevanje tekočin v odprtih posodah.	S tem se poveča vlažnost v notranjost hladilnika. Vse posode hranite tesno pokrite.
V zamrzovalnem prostoru se nabira slana/led.	Vrata se pogosto odpira ali ostajajo odprta.	Zmanjšajte število odpiranj vrat in zaprite predal po uporabi.
	Tesnilo vrat je slabo.	Prepričajte se, ali tesnila na vratih dobro tesnijo z omarico hladilnika, da je zagotovljeno ustrezna zatesnitev.
	Kontrolniki temperature niso nastavljeni pravilno.	Glejte razdelek "Uporaba tipk" za priporočene nastavitve temperature.

# ODPRAVLJANJE TEŽAV

Najprej preizkusite tu predlagane rešitve, da bi se morda izognili klicu servisa.

**⚠ OPOZORILO**



**Nevarnost eksplozije**

**Uporabljajte nevlnetljivo čistilo.**

**Če tega ne storite, lahko pride do smrti, eksplozije ali požara.**

Če si želite ogledati animacijo, ki prikazuje prilagajanje in poravnavo vrat, glejte razdelek Pomoč/FAQ na spletnem mestu blagovne znamke in poiščite "Zapiranje vrat in poravnava vrat."

Če ugotovite	Možni vzroki	Rešitev
<b>Vrata</b>		
Vrata se ne bodo povsem zaprla.	Vrata so blokirana odprta.	Premaknite pakete hrane stran od vrat.
	Posoda ali polica je v napoto.	Potisnite posodo ali polico nazaj v pravilen položaj.
	Nedavno nameščeno	Odstranite ves embalažni material.
Vrata je težko odpreti.	Tesnila vrat so umazana ali lepljiva.	Očistite tesnila in stične površine z blagim milom in toplo vodo. Izperite in osušite z mehko krpo.
Vrata se zdijo neporavnana.	Vrata je treba poravnati ali pa hladilnik uravnati.	Če je treba poravnati vrata, pokličite servis.
Hladilnik je nestabilen ali se pri odpiranju in zapiranju vrat nagne naprej.	Zaporne noge hladilnika se ne dotikajo tal.	Obrnite obe zaporni nogi (po eno na vsaki strani) v levo stran, za enako mero, dokler se ne dotaknejo tal. Glejte oddelek "Uravnavanje zamrzovalnika in zapiranje vrat".



# Índice

<b>SEGURIDAD DEL REFRIGERADOR</b> .....	<b>538</b>
Cómo deshacerse adecuadamente de su refrigerador viejo .....	541
<b>PIEZAS Y CARACTERÍSTICAS</b> .....	<b>542</b>
<b>INSTRUCCIONES DE INSTALACIÓN</b> .....	<b>543</b>
Cómo comenzar .....	543
Desembale el refrigerador .....	543
Requisitos de ubicación .....	544
Requisitos eléctricos.....	544
Cómo retirar y volver a colocar las puertas del refrigerador.....	546
Retire y vuelva a instalar la puerta del congelador/Flexi Freeze.	548
Nivelado del refrigerador .....	549
Uso de los controles .....	550
Iluminación del refrigerador .....	551
<b>USO DE SU REFRIGERADOR</b> .....	<b>552</b>
Cómo abrir y cerrar las puertas.....	552
Almacenamiento de alimentos .....	552
<b>ESTANTES, DEPÓSITOS Y CAJONES</b> .....	<b>553</b>
Compartimientos de almacenamiento del congelador.....	554
Referencia de audio .....	554
Accesorios .....	554
Ayuda o servicio técnico.....	554
<b>CUIDADO DEL REFRIGERADOR</b> .....	<b>555</b>
Limpieza.....	555
Luces.....	556
Cuidado durante las vacaciones y mudanzas .....	556
<b>SOLUCIÓN DE PROBLEMAS</b> .....	<b>557</b>

# SEGURIDAD DEL REFRIGERADOR

## Su seguridad y la seguridad de los demás es muy importante.

Hemos incluido muchos mensajes importantes de seguridad en este manual y en su electrodoméstico. Lea y obedezca siempre todos los mensajes de seguridad.



Este es el símbolo de alerta de seguridad.

Este símbolo le llama la atención sobre peligros potenciales que pueden ocasionar la muerte o una lesión a usted y a los demás.

Todos los mensajes de seguridad irán a continuación del símbolo de advertencia de seguridad y de la palabra "PELIGRO" o "ADVERTENCIA".

Estas palabras significan:

 **PELIGRO**

**Si no sigue las instrucciones de inmediato, usted puede morir o sufrir una lesión grave.**

 **ADVERTENCIA**

**Si no sigue las instrucciones, usted puede morir o sufrir una lesión grave.**

Todos los mensajes de seguridad le dirán el peligro potencial, le dirán cómo reducir las posibilidades de sufrir una lesión y lo que puede suceder si no se siguen las instrucciones.

## INSTRUCCIONES DE SEGURIDAD

## IMPORTANTE DE LEER Y SEGUIR

Antes de usar el electrodoméstico, lea estas instrucciones de seguridad. Guárdelas para referencia futura. Estas instrucciones y el electrodoméstico mismo proporcionan advertencias importantes de seguridad que se deben respetar en todo momento. El fabricante rechaza cualquier responsabilidad por el incumplimiento de estas instrucciones de seguridad, el uso inadecuado del electrodoméstico o el ajuste incorrecto de los controles.

⚠ Los niños muy pequeños (0 a 3 años de edad) deben mantenerse alejados del electrodoméstico. Los niños pequeños (3 a 8 años de edad) deben mantenerse alejados del electrodoméstico, a menos que estén bajo supervisión constante. Los niños de 8 años o más, y las personas con discapacidades físicas, sensoriales o mentales, o falta de experiencia y conocimiento pueden usar este electrodoméstico solo si se encuentran bajo supervisión o han recibido instrucciones acerca de cómo usarlo de forma segura, y comprenden los riesgos involucrados. Los niños no deben jugar con el electrodoméstico. Los niños no deben realizar la limpieza ni el mantenimiento del usuario sin supervisión.

### USO PERMITIDO

⚠ PRECAUCIÓN: El electrodoméstico no se debe operar por medio de un interruptor externo, como un temporizador o un sistema aparte controlado de forma remota.

⚠ Este electrodoméstico está diseñado para su uso doméstico y las aplicaciones similares, como: áreas de cocina para el personal en tiendas, oficinas y otros entornos de trabajo; granjas; por parte de clientes en hoteles, moteles, posadas y otros entornos residenciales.

⚠ Este electrodoméstico no es para uso profesional. No utilice el electrodoméstico en exteriores.

⚠ Este electrodoméstico ha sido diseñado para funcionar en lugares en los que la temperatura ambiental se mantiene dentro de los rangos a continuación, según la clase climática que se muestra en la placa de clasificación. Es posible que el electrodoméstico no funcione como es debido si se deja durante un tiempo prolongado a una temperatura que esté fuera del rango especificado.

Clasificación climática T. amb. (°C)

SN: De 10 a 32 °C; N: De 16 a 32 °C

ST: De 16 a 38 °C; T: De 16 a 43 °C

⚠ Este electrodoméstico no contiene CFC. El circuito refrigerante contiene R600a (HC). Electrodomésticos con isobutano (R600a): es un gas natural que no produce impactos en el medioambiente, pero es inflamable. Por lo tanto, asegúrese de que las tuberías del circuito refrigerante no estén dañadas, especialmente cuando vacíe el circuito refrigerante.

⚠ ADVERTENCIA: No dañe las tuberías del circuito de refrigerante del electrodoméstico.

⚠ ADVERTENCIA: Mantenga las aperturas de ventilación, en el gabinete del electrodoméstico o en la estructura integrada, libre de obstrucciones.

⚠ ADVERTENCIA: No utilice medios mecánicos, eléctricos o químicos diferentes de los recomendados por el fabricante para acelerar el proceso de descongelación.

⚠ ADVERTENCIA: No use ni coloque dispositivos eléctricos dentro de los compartimientos del electrodoméstico si no son del tipo expresamente autorizados por el fabricante.

⚠ ADVERTENCIA: Las fábricas de hielo y/o los despachadores de agua que no estén conectados directamente al suministro de agua deberán ser llenados solamente con agua potable.

⚠ ADVERTENCIA: Las fábricas de hielo automáticas y los despachadores de agua deberán ser conectados a un suministro de agua que provea solamente agua potable, con una presión de agua del suministro principal entre 0,17 y 0,81 Mpa (1,7 y 8,1 bar).

⚠ No guarde en este aparato sustancias explosivas, como latas en aerosol con propelente inflamable.

⚠ No se trague el contenido (no tóxico) de los paquetes de hielo (provisto en algunos modelos). No coma los cubos de hielo o las paletas heladas inmediatamente después de sacarlos del congelador, ya que pueden ocasionar quemaduras por frío.

⚠ Para los productos diseñados para que usen un filtro de aire dentro de una cubierta de ventilador accesible, el filtro debe estar siempre en posición cuando el refrigerador esté funcionando.

⚠ No guarde recipientes de vidrio con líquidos en el compartimiento del congelador, ya que pueden romperse. No obstruya el ventilador (si está incluido) con alimentos. Después de guardar los alimentos, verifique que la puerta de los compartimientos se cierre adecuadamente, especialmente la puerta del congelador.

⚠ Las juntas dañadas se deben reemplazar lo antes posible.

⚠ Use el compartimiento del refrigerador solamente para almacenar alimentos frescos y el del congelador solamente para almacenar alimentos congelados, para congelar alimentos frescos y para hacer cubos de hielo.

⚠ Evite guardar alimentos sin envolver en contacto directo con las superficies internas de los compartimientos del refrigerador o del congelador. Los electrodomésticos pueden tener compartimientos especiales (compartimiento para alimentos frescos, caja de cero grados, etc.). A menos que se especifique en el folleto del producto, estos se pueden quitar, con lo que se mantienen rendimientos equivalentes.

## INSTALACIÓN

⚠ Dos personas deben manipular e instalar el electrodoméstico: riesgo de lesiones. Use guantes protectores para desempacar e instalar: riesgo de cortes.

⚠ Un técnico calificado debe realizar la instalación, que incluye el suministro de agua (si corresponde) y las conexiones eléctricas, y las reparaciones. No repare ni reemplace ninguna pieza del electrodoméstico a menos que se mencione específicamente en el manual. Mantenga a los niños alejados del lugar de instalación.

Después de desempacar el electrodoméstico, asegúrese de que no haya sido dañado durante el traslado. En caso de problemas, contacte al distribuidor o su servicio de posventa más cercano. Cuando esté instalado, los desechos del empaquetado (plástico, piezas de poliestireno extruido, etc.) deben almacenarse fuera del alcance de los niños: riesgo de asfixia. El electrodoméstico debe desconectarse del suministro eléctrico antes de cualquier operación de instalación: riesgo de choque eléctrico. Durante la instalación, asegúrese de que el electrodoméstico no dañe el cable de alimentación: riesgo de incendio o choque eléctrico. Solo active el electrodoméstico cuando se haya completado la instalación.

⚠ Tenga cuidado de no dañar los suelos (por ej., parquet) al mover el electrodoméstico. Instale el electrodoméstico sobre un piso o soporte que sea lo suficientemente fuerte como para mantener el peso y en un lugar adecuado para el tamaño y el uso. Cerciórese de que el electrodoméstico no esté cerca de una fuente de calor y que los cuatro pies estén estables, descansando en el suelo; ajústelos según sea necesario y verifique que el electrodoméstico esté nivelado perfectamente con un nivel de burbuja. Espere por lo menos dos horas antes de encender el refrigerador, para cerciorarse de que el circuito del refrigerante sea completamente eficaz.

⚠ Para asegurar una ventilación adecuada, deje un espacio a ambos lados y por encima del electrodoméstico. La distancia entre la parte trasera del electrodoméstico y el muro detrás del electrodoméstico debe ser de 50 mm para evitar el acceso a las superficies calientes. Una reducción de este espacio aumentará el consumo de energía del producto.

⚠ **ADVERTENCIA:** Para evitar riesgos debido a inestabilidad, la ubicación o el ajuste del electrodoméstico debe realizarse de acuerdo con las instrucciones del fabricante. Está prohibido ubicar el refrigerador de manera que la manguera de metal de la estufa de gas, las tuberías metálicas de gas o agua, o los cables eléctricos estén en contacto con la pared trasera del refrigerador (serpentín del condensador).

⚠ Si es necesario reemplazar las puertas, comuníquese con el Centro de asistencia técnica.

## ADVERTENCIAS ELÉCTRICAS

⚠ Debe ser posible desconectar el electrodoméstico del suministro de energía desconectándolo, si el enchufe está accesible, o un interruptor multipolar instalado delante del enchufe, de acuerdo a las normas de cableado, y el electrodoméstico se debe conectar a tierra de acuerdo con los estándares de seguridad eléctrica nacionales.

⚠ No use cables de extensión, enchufes múltiples o adaptadores. El usuario no debe tener acceso a los componentes eléctricos después de la instalación. No use el electrodoméstico cuando esté descalzo o húmedo. No encienda el electrodoméstico si el cable o enchufe se encuentran dañados, no están funcionando adecuadamente, han sufrido daños o caídas.

⚠ Si se ha dañado el cable de suministro de energía, deberá ser reemplazado por el fabricante por uno idéntico, el agente de servicio o una persona similarmente calificada con el fin de evitar riesgos de choque eléctrico.

⚠ **ADVERTENCIA:** Cuando ubique el electrodoméstico, cerciórese de que el cable no quede atrapado o esté dañado.

⚠ **ADVERTENCIA:** No ubique varios enchufes portátiles o suministros eléctricos portátiles en la parte trasera del electrodoméstico.

## LIMPIEZA Y MANTENIMIENTO

⚠ **ADVERTENCIA:** Garantice que el electrodoméstico esté apagado y desconectado del suministro eléctrico antes de realizar operaciones de mantenimiento; no use nunca equipo de limpieza: riesgo de choque eléctrico.

⚠ No use productos de limpieza abrasivos o ásperos, como aerosoles para ventanas, productos de limpieza para pulir, líquidos inflamables, ceras para limpieza, detergentes concentrados, blanqueadores o productos de limpieza que contengan productos de petróleo en las partes de plástico, revestimientos interiores y de la puerta o juntas. No use toallas de papel, estropajos para fregar ni otros utensilios de limpieza ásperos.


## DESCARTE DE LOS MATERIALES DE EMPAQUE

El material del empaquetado es 100 % reciclable y está marcado con el símbolo de reciclaje ♻.

Por lo tanto, las diferentes partes del empaquetado se deben desechar con responsabilidad y de acuerdo a las normas locales de la autoridad que rija la eliminación de residuos.

## DESECHO DE ELECTRODOMÉSTICOS

Este electrodoméstico está fabricado con materiales reciclables y reutilizables. Deshágase de él siguiendo los reglamentos locales de eliminación de residuos. Para obtener información adicional acerca del tratamiento, recuperación y reciclaje de los electrodomésticos, póngase en contacto con la autoridad local, el servicio de recolección de desechos domésticos o la tienda donde compró el aparato. Este electrodoméstico cumple con la directiva europea 2012/19/EC, RAEE (Residuos de aparatos eléctricos y electrónicos). Al cerciorarse de que este producto se deseché correctamente, ayuda a prevenir consecuencias negativas para el entorno y la salud humana.

El símbolo  en el producto o en los documentos que lo acompañan, indica que no deberá tratarse como desecho doméstico, sino llevarse a un centro especial de recolección para que se recicle el equipo eléctrico y electrónico.

### CONSEJOS DE AHORRO DE ENERGÍA

Instale el electrodoméstico en una habitación seca, bien ventilada, alejada de cualquier fuente de calor (por ej., un radiador, horno, etc.) y en un lugar que no esté expuesto directamente al sol. Si es necesario, use una placa de aislación.

Para garantizar la ventilación adecuada, siga las instrucciones de instalación. La ventilación insuficiente en la parte trasera del producto aumenta el consumo de energía y disminuye la eficacia de refrigeración. Abrir la puerta frecuentemente puede causar un aumento en el consumo energético. La temperatura interna del electrodoméstico y el consumo energético se pueden ver afectados también por la temperatura ambiental, además de la ubicación del aparato. Para realizar los ajustes de temperatura se deben tomar en consideración estos factores.

Abra las puertas lo menos posible.

Cuando descongele alimentos congelados, póngalos en el refrigerador. La baja temperatura de los productos congelados enfría los alimentos del refrigerador. Permita que los alimentos y bebidas se enfríen antes de ponerlos en el electrodoméstico.

El posicionamiento de los estantes en el refrigerador no impacta el uso eficiente de energía. Los alimentos se deben poner en los estantes de forma que se garantice la circulación adecuada del aire (los alimentos no se deben tocar entre sí y se debe mantener la distancia entre los alimentos y la pared trasera).

Puede aumentar la capacidad de almacenamiento de alimentos congelador retirando las cestas y, si hay, el estante Stop Frost.

No se preocupe acerca de los ruidos que salen del compresor que se describen como sonidos normales en la Guía rápida de este producto.



## Cómo deshacerse adecuadamente de su refrigerador viejo

### ADVERTENCIA

#### Peligro de Asfixia

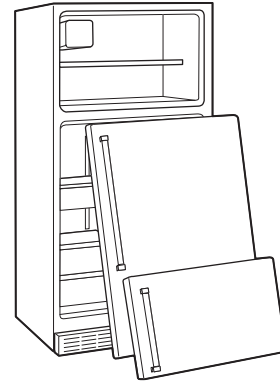
**Remueva las puertas de su refrigerador viejo.**

**No seguir esta instrucción puede ocasionar la muerte o daño al cerebro.**

**IMPORTANTE:** El atrapamiento y la asfixia de los niños no son problemas del pasado. Los refrigeradores tirados y abandonados igual constituyen un peligro, incluso si van a quedar ahí “por unos pocos días”. Si está por deshacerse de su refrigerador viejo, siga las instrucciones que ofrecemos a continuación para prevenir accidentes.

#### Antes de tirar su viejo refrigerador o congelador:

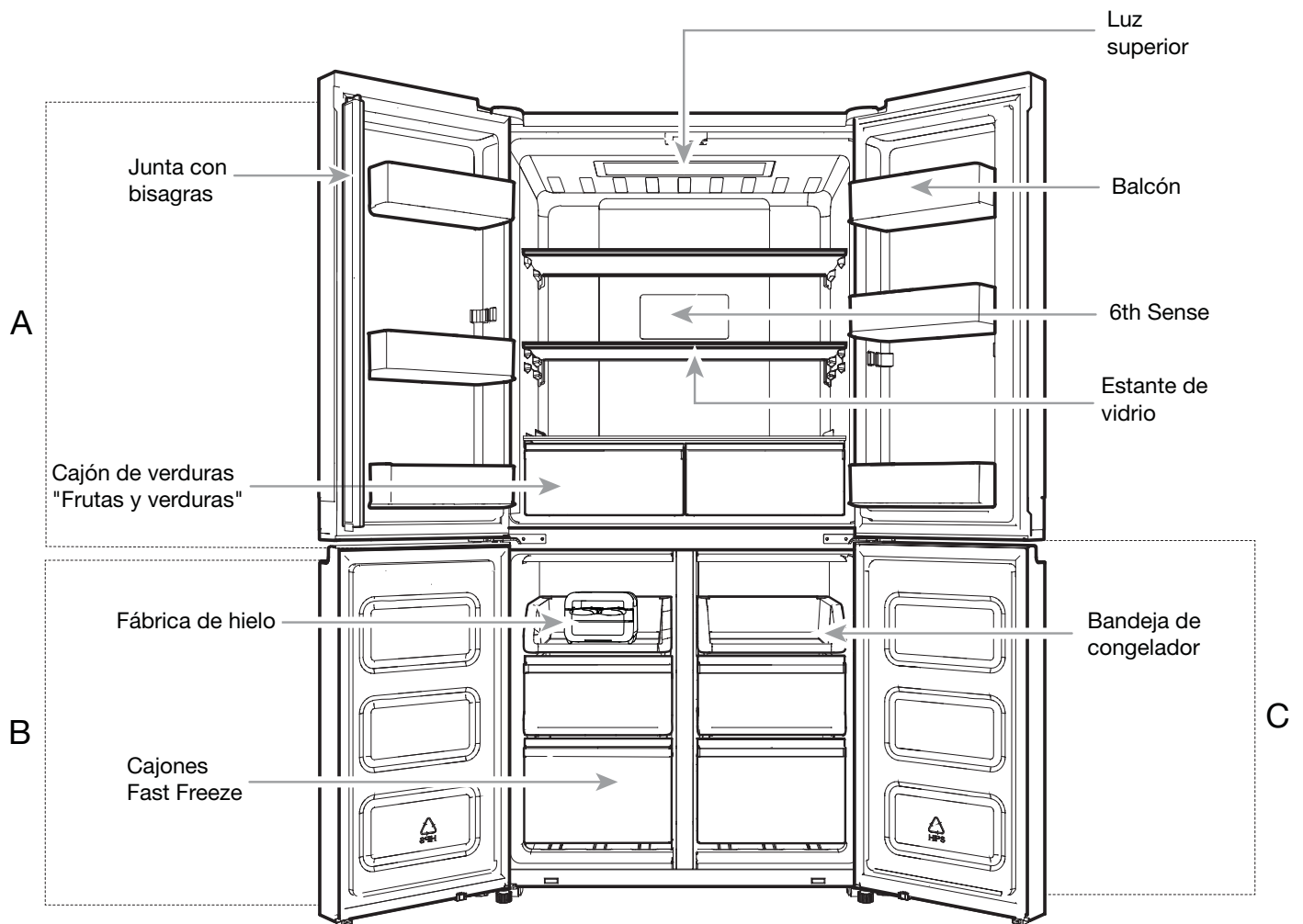
- Saque las puertas.
- Deje los estantes en su lugar así los niños no pueden introducirse con facilidad.



#### Información importante para saber acerca del desecho de refrigerantes:

Deshágase del refrigerador siguiendo los reglamentos federales y locales. Los refrigerantes deberán ser evacuados por un técnico certificado en refrigeración por EPA (Agencia de protección del medioambiente) según los procedimientos establecidos.

# PIEZAS Y CARACTERÍSTICAS



- A . Refrigerador
- B . Congelador
- C . Flexi Freeze (solo con WQ9 B1L, 6WM591NIHAS y WQ70900SXX)

# INSTRUCCIONES DE INSTALACIÓN

## Cómo comenzar

### LISTA DE VERIFICACIÓN DE LA INSTALACIÓN

#### ✓ Suministro eléctrico

## ⚠ ADVERTENCIA



### Peligro de descarga eléctrica

**Enchufe en un tomacorriente con conexión a tierra.**

**No quitar la clavija de tierra.**

**No utilice un adaptador.**

**No utilice un cable de extensión.**

**No seguir estas instrucciones puede ocasionar la muerte, incendios o descargas eléctricas.**

- Enchufe el refrigerador en un contacto con conexión a tierra.

#### ✓ Puertas

- Si necesita retirar las puertas durante la instalación, consulte las secciones “Cómo retirar y volver a colocar las puertas del refrigerador” y “Cómo retirar y volver a colocar las puertas delanteras del congelador”.
- Las puertas tienen un cierre hermético completo.
- El refrigerador está nivelado. Ajuste los pies de nivelación para que queden bien apoyados contra el suelo.
- Las puertas están parejas en la parte superior. (Use la característica de alineamiento de las puertas si es necesario).

#### ✓ Revisiones finales

- Extraiga todo el material de transporte.
- Fije los controles de temperatura en el ajuste recomendado.
- Guarde las instrucciones y otros materiales impresos.
- Para recibir asistencia más completa, registre su producto en [www.whirlpool.eu/register](http://www.whirlpool.eu/register).

## Desembale el refrigerador

## ⚠ ADVERTENCIA

### Peligro de Peso Excesivo

**Use dos o más personas para mover e instalar el refrigerador.**

**No seguir esta instrucción puede ocasionar una lesión en la espalda u otro tipo de lesiones.**

### Entrega del refrigerador

Se requiere una apertura mínima de la puerta de 838 mm (33"). Si la apertura de la puerta es de 914 mm (36") o menos, entonces será necesario retirar las puertas, estantes y bisagras.

Traslade el refrigerador por el lado de las aperturas de puerta.

### Cómo mover su refrigerador:

Su refrigerador es pesado. Cuando mueva el refrigerador para limpiarlo o para darle servicio, cerciórese de cubrir el piso con cartón o madera para evitar daños en el mismo. Al mover el refrigerador, siempre tire directamente hacia afuera. No menee el refrigerador de lado a lado ni lo haga “caminar” cuando lo trate de mover ya que podría dañar el piso.

### Cómo retirar el material de embalaje

- Quite los restos de cinta y pegamento de las superficies de su refrigerador antes de encenderlo. Frote un poco de detergente líquido para vajilla sobre el adhesivo con los dedos. Limpie con agua tibia y seque.
- No use instrumentos afilados, alcohol para fricciones, líquidos inflamables ni limpiadores abrasivos para eliminar los restos de cinta o de pegamento. Estos productos pueden dañar la superficie de su refrigerador.
- Deseche o recicle todo el material de empaque.

### Limpieza antes del uso

Después de quitar todo el material de embalaje, limpie el interior del refrigerador antes de usarlo. Vea las instrucciones de limpieza en la sección “Cuidado de su refrigerador”.

### Información importante para saber acerca de los estantes y tapas de vidrio:

No limpie los estantes y tapas de vidrio con agua caliente mientras están fríos. Los estantes y tapas pueden romperse si se exponen a cambios bruscos de temperatura o impacto, como sería un golpe brusco. El vidrio templado se ha diseñado para hacerse añicos. Esto es normal. Los estantes y tapas de vidrio son muy pesados. Use ambas manos al sacarlos para evitar que se caigan.

## Requisitos de ubicación

### ⚠ ADVERTENCIA



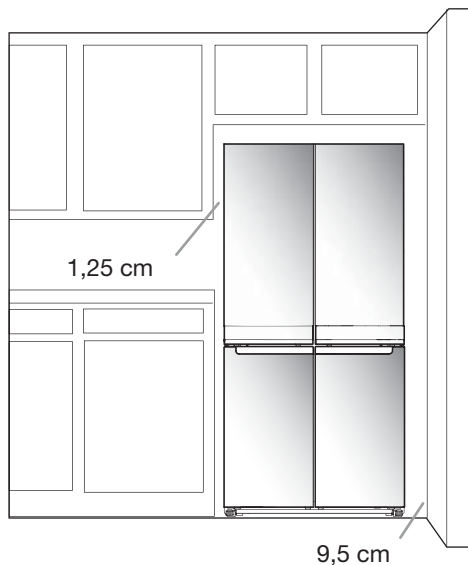
#### Peligro de Explosión

Mantenga los materiales y vapores inflamables, tales como gasolina, alejados del refrigerador.

No seguir esta instrucción puede ocasionar la muerte, explosión, o incendio.

Para asegurar la adecuada ventilación para su refrigerador, deje un espacio de 1,25 cm a cada lado y por encima. Deje un espacio de 5 cm detrás del refrigerador. Si el refrigerador tiene fábrica de hielo, asegúrese de que haya espacio adicional atrás para las conexiones de la línea de agua. Cuando instale el refrigerador próximo a una pared fija, deje un espacio mínimo de 9,5 cm entre el refrigerador y la pared, para permitir que la puerta se abra bien.

**NOTA:** El refrigerador está diseñado para usarse en un lugar donde la temperatura varíe de un mínimo de 10 °C a un máximo de 43 °C. El rango de temperatura ambiental preferido para un rendimiento óptimo, que reduce el uso de electricidad y ofrece un enfriamiento superior, es de entre 15 °C y 32 °C. Se recomienda que no instale el refrigerador cerca de una fuente de calor, como un radiador u horno.



## Requisitos eléctricos

### ⚠ ADVERTENCIA



#### Peligro de descarga eléctrica

Enchufe en un tomacorriente con conexión a tierra.

No quitar la clavija de tierra.

No utilice un adaptador.

No utilice un cable de extensión.

No seguir estas instrucciones puede ocasionar la muerte, incendios o descargas eléctricas.

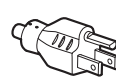
**IMPORTANTE:** La instalación y la conexión eléctrica deberán llevarse a cabo por parte de un técnico competente, siguiendo las instrucciones del fabricante y cumpliendo con los reglamentos locales de seguridad.

- El refrigerador ha sido diseñado para funcionar en un circuito separado de 220-240 voltios, 10 amperios y 50/60 Hz.
- Cerciórese de que el voltaje especificado en la placa de clasificación corresponda con el de su hogar.
- Deberá ser posible desconectar el aparato del suministro de energía desenchufándolo o por medio de un interruptor de dos terminales instalado arriba del casquillo.
- Si se ha dañado el cable de suministro de energía, deberá ser reemplazado por el fabricante, el agente de servicio o una persona similarmente calificada con el fin de evitar riesgos.

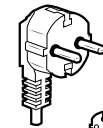
Antes de mover el refrigerador a su ubicación final, es importante asegurarse que tiene la conexión eléctrica adecuada:

#### Método recomendado de conexión a tierra

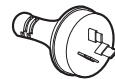
Se requiere una fuente de energía eléctrica de 220-240 Voltios 50 Hz., 220 Voltios 60 Hz. o 230/240 Voltios 50 Hz., CA solamente y con fusibles de 10 amperios, conectada a tierra.



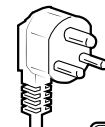
Tipo B



Tipo E y F



Tipo I



Tipo M



Tipo G



### Para Australia y Nueva Zelanda:

Su electrodoméstico ha sido fabricado especialmente para cumplir con todas las normas y condiciones australianas.

Algunas notas en las instrucciones de instalación se pueden referir a requisitos eléctricos de otros países, así que le llamamos la atención hacia dichas notas en particular.

Su electrodoméstico debe ser conectado a un contacto de 230/240 Voltios, 50 Hz. con fusibles de 10 amperios con conexión a tierra CA solamente.

### Requisitos eléctricos (solo en el Reino Unido e Irlanda)

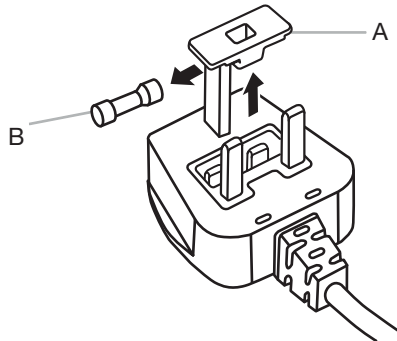
**IMPORTANTE:** Este refrigerador debe estar conectado a tierra.

#### Reemplazo de fusibles

Si el cable principal del refrigerador está acoplado con un enchufe BS1363A, con fusibles de 13 A, para reemplazar un fusible en este tipo de enchufe use un fusible aprobado por A.S.T.A. para el tipo BS 1362 y haga lo siguiente:

1. Retire la cubierta del fusible (A) y el fusible (B).
2. Ajuste el fusible de reemplazo de 13 A en la cubierta del fusible.
3. Vuelva a insertar el fusible y su cubierta en el enchufe.

**IMPORTANTE:** Debe volver a instalar la cubierta del fusible cuando cambie un fusible. Si se pierde la cubierta del fusible, no se puede usar el enchufe hasta poner una cubierta de repuesto adecuada. Un repuesto adecuado se identifica con el inserto de color o la "palabra" del color en relieve en la base del enchufe. Hay cubiertas de fusible de repuesto disponibles en las tiendas eléctricas locales.



A. Cubierta de fusible  
B. Fusible

### Para la República de Irlanda (solamente):

En general, la información que se dio en relación al Reino Unido se aplica, pero también se usa un tercer tipo de enchufe y toma de corriente, el tipo de enchufe de dos clavijas y conexión a tierra lateral.

#### Enchufe/toma de corriente (válido para los dos países):

Si el enchufe ajustado no es el adecuado para su toma de corriente, contacte al servicio de posventa para obtener más instrucciones. No intente cambiar el enchufe usted mismo. Un técnico calificado debe realizar este procedimiento de acuerdo con las instrucciones del fabricante y las normas de seguridad estándar actuales.

### Temperatura

El refrigerador ha sido diseñado para funcionar en lugares en los que la temperatura se mantiene dentro de los rangos a continuación, según la clase climática que se muestra en la placa de clasificación. Es posible que el refrigerador no funcione como es debido si se deja durante un tiempo prolongado a una temperatura que esté fuera del rango especificado.

**NOTA:** No se recomienda instalar el refrigerador cerca de una fuente de calor, como un horno o un radiador.

Clase climática	Temp. amb. (°C)	Temp. amb. (°F)
SN	De 10 a 32	De 50 a 90
N	De 16 a 32	De 61 a 90
ST	De 16 a 38	De 61 a 100
BRO	De 16 a 43	De 61 a 110

## Cómo retirar y volver a colocar las puertas del refrigerador

**NOTA:** Mida el ancho de la abertura de la puerta para averiguar si es necesario retirar las puertas del refrigerador para ingresarlo a su hogar. Si es necesario retirar las puertas, consulte las instrucciones a continuación.

**IMPORTANTE:** Si el refrigerador se instaló previamente y lo va a sacar de la casa, apáguelo antes de comenzar a retirar las puertas. Desenchufe el refrigerador o desconecte el suministro de energía. Retire los alimentos y los cajones ajustables o de uso múltiple de las puertas.

Reúna las herramientas necesarias y lea todas las instrucciones antes de quitar las puertas.

**HERRAMIENTAS NECESARIAS:** Llave Allen de 6 mm, llave Allen de 5 mm y destornillador Phillips #2.



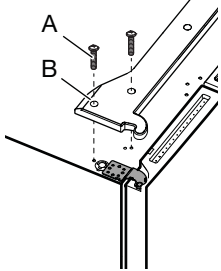
### ⚠ ADVERTENCIA

#### Peligro de Choque Eléctrico

Desconecte el suministro de energía antes de sacar las puertas.

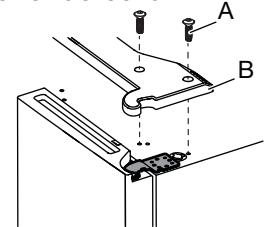
No seguir esta instrucción puede ocasionar la muerte o choque eléctrico.

#### Cubierta de la bisagra superior izquierda



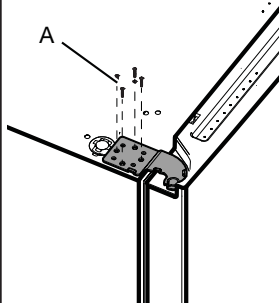
- A. Tornillos de la cubierta de la bisagra superior
- B. Cubierta de la bisagra superior

#### Cubierta de la bisagra superior derecha



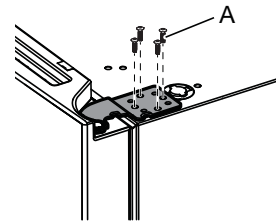
- A. Tornillos de la cubierta de la bisagra superior
- B. Cubierta de la bisagra superior

#### Bisagra superior izquierda



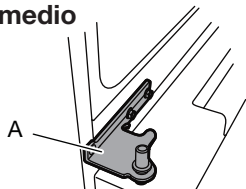
- A. Tornillos Allen de 5 mm

#### Bisagra superior derecha



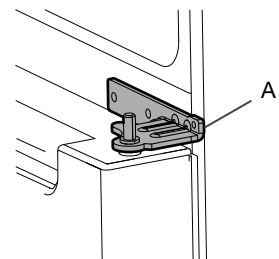
- A. Tornillos Allen de 5 mm

#### Bisagra izquierda del medio



- A. Bisagra

#### Bisagra del medio derecha



- A. Bisagra

## ⚠ ADVERTENCIA

### Peligro de Peso Excesivo

Use dos o más personas para levantar la puerta del refrigerador.

No seguir esta instrucción puede ocasionar una lesión en la espalda u otro tipo de lesiones.

### Cómo quitar las puertas del refrigerador

## ⚠ ADVERTENCIA



### Peligro de Choque Eléctrico

Desconecte el suministro de energía antes de sacar las puertas.

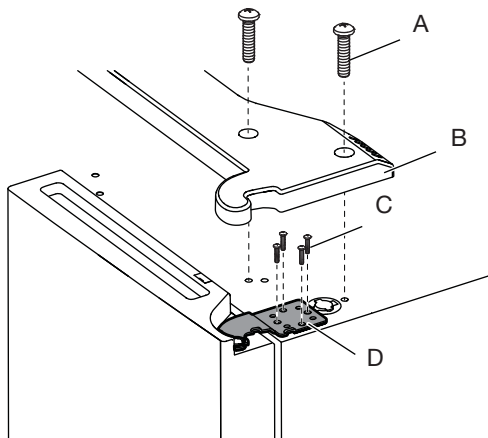
No seguir esta instrucción puede ocasionar la muerte o choque eléctrico.

### Cómo quitar la puerta del lado derecho

1. Desenchufe el refrigerador o desconecte el suministro de energía.
2. Mantenga las puertas del refrigerador cerradas hasta que esté listo para levantarlas y quitarlas del gabinete.

**NOTA:** Mientras retira las bisagras, siempre disponga de un soporte adicional para la puerta del refrigerador. No dependa de los imanes de la junta de las puertas para sostener la puerta en su lugar mientras trabaja.

3. Use un destornillador Phillips para quitar la cubierta de la bisagra superior.
4. Con una llave de 5 mm, retire los cuatro tornillos de la bisagra superior y déjelos a un lado.



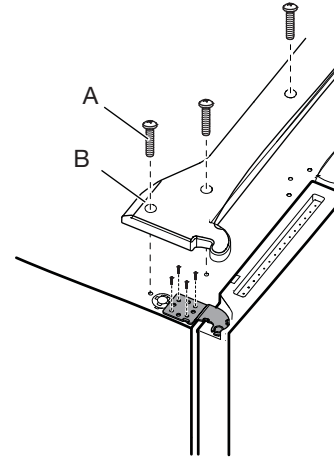
- A. Tornillo de la cubierta de la bisagra superior  
B. Cubierta de la bisagra superior  
C. Tornillos Allen de 5 mm  
D. Bisagra superior

5. Levante la puerta del refrigerador para retirarla del pasador de la bisagra del medio. La bisagra superior se saldrá junto con la puerta.

### Cómo retirar la puerta del lado izquierdo

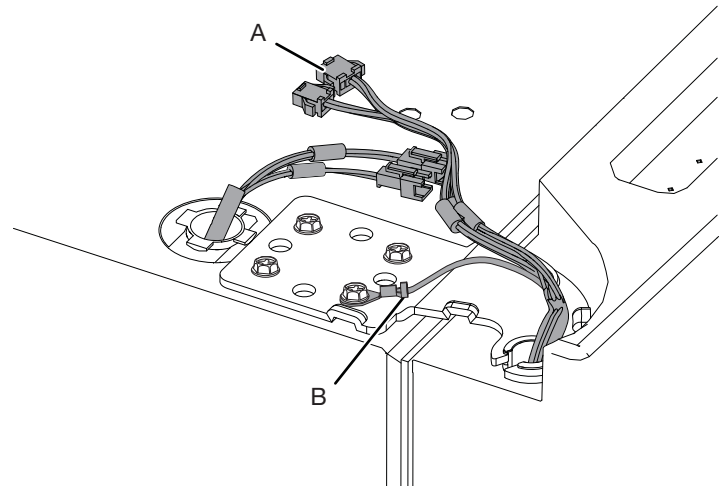
**IMPORTANTE:** El cableado para la interfaz de usuario pasa a través de la bisagra de la puerta del lado izquierdo, de modo que lo debe desconectar antes de quitar la puerta.

1. Use un destornillador Phillips para quitar la cubierta de la bisagra superior.



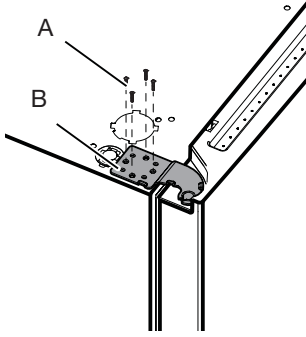
- A. Tornillo de la cubierta de la bisagra superior  
B. Cubierta de la bisagra superior

2. Desconecte los dos enchufes de cableado que están en la parte superior de la bisagra de la puerta.
  - Sujete cada lado de los enchufes de cableado. Con el pulgar izquierdo presione hacia abajo para liberar el seguro y jale las secciones del enchufe para separarlas.



- A. Enchufe de cableado  
B. Conector a tierra

3. Con una llave de 5 mm, retire los cuatro tornillos internos de la bisagra superior y déjelos a un lado.



A. Tornillos Allen de 5 mm  
B. Bisagra superior

**NOTA:** Mientras retira las bisagras, siempre disponga de un soporte adicional para la puerta del refrigerador. No dependa de los imanes de la junta de las puertas para sostener la puerta en su lugar mientras trabaja.

4. Levante la puerta del refrigerador para retirarla del pasador de la bisagra inferior. La bisagra superior se saldrá junto con la puerta.

**NOTA:** Quizá no sea necesario quitar las bisagras inferiores y los conjuntos de patas con freno para hacer pasar el refrigerador por una puerta.

- Solo si es necesario, use una llave Allen de 6 mm y un destornillador Phillips #2 para retirar la bisagra del medio.

#### Cómo volver a colocar la puerta del lado derecho del refrigerador

1. Coloque la puerta del lado derecho sobre el pasador de la bisagra del medio.
2. Inserte el pasador de la bisagra superior en el orificio abierto de la parte superior de la puerta del refrigerador.
3. Con cuatro tornillos Allen de 5 mm fije la bisagra al gabinete. No apriete los tornillos completamente.

#### Cómo volver a colocar la puerta del refrigerador del lado izquierdo

1. Coloque la puerta del lado izquierdo sobre el pasador de la bisagra del medio.
2. Con cuatro tornillos Allen de 5 mm fije la bisagra al gabinete. No apriete los tornillos completamente.
3. Vuelva a conectar el cableado eléctrico.
  - Empuje y una las dos secciones del enchufe de cableado.
  - Vuelva a conectar el cable a tierra al tornillo de la bisagra.

#### Pasos finales

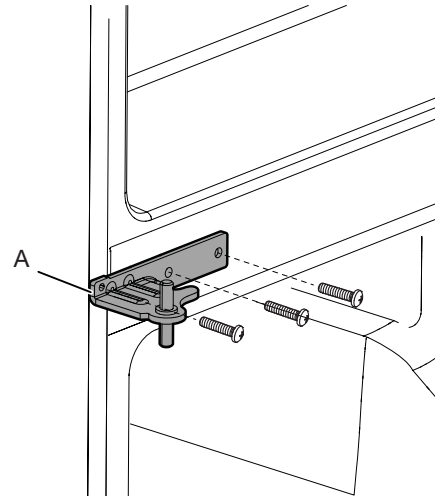
1. Apriete completamente los ocho tornillos Allen de 5 mm.
2. Vuelva a colocar las cubiertas de la bisagra superior.

## Retire y vuelva a instalar la puerta del congelador/Flexi Freeze

1. Mantenga las puertas del congelador cerradas hasta que esté listo para levantarlas y quitarlas del gabinete.

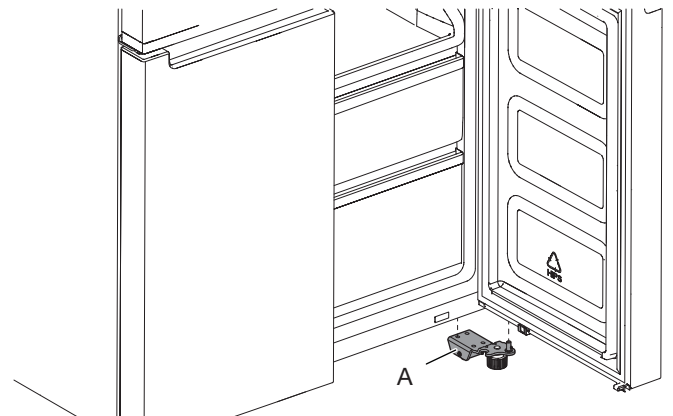
**NOTA:** Mientras retira las bisagras, siempre disponga de un soporte adicional para la puerta del congelador. No dependa de los imanes de la junta de las puertas para sostener la puerta en su lugar mientras trabaja.

- Con un destornillador Phillips #2 y una llave Allen de 6 mm, retire la bisagra del medio del gabinete.



A. Bisagra del medio

- Levante y saque la puerta del congelador del pasador inferior de la bisagra.



A. Bisagra inferior

## ⚠ ADVERTENCIA



### Peligro de descarga eléctrica

**Enchufe en un tomacorriente con conexión a tierra.**

**No quitar la clavija de tierra.**

**No utilice un adaptador.**

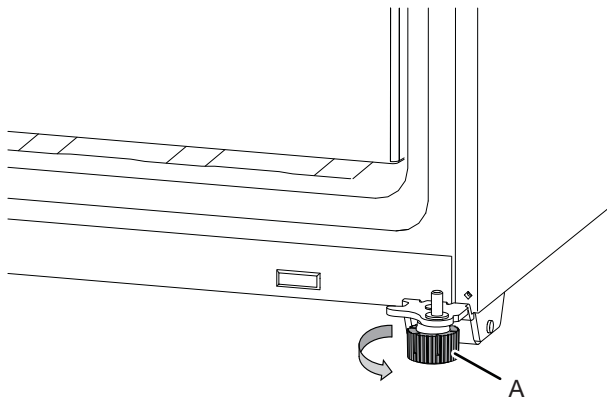
**No utilice un cable de extensión.**

**No seguir estas instrucciones puede ocasionar la muerte, incendios o descargas eléctricas.**

1. Enchufe en un contacto con conexión a tierra.
2. Vuelva a colocar todas las piezas desmontables y los alimentos en los cajones.

## Nivelado del refrigerador

1. Mueva el refrigerador hacia su ubicación final.
2. Con la mano, gire los pies de soporte. Gírelos en sentido antihorario hasta que los rodillos queden separados del piso y ambos pies de soporte estén apretados contra el piso. Esto evita que el refrigerador se balancee hacia adelante al abrir las puertas.



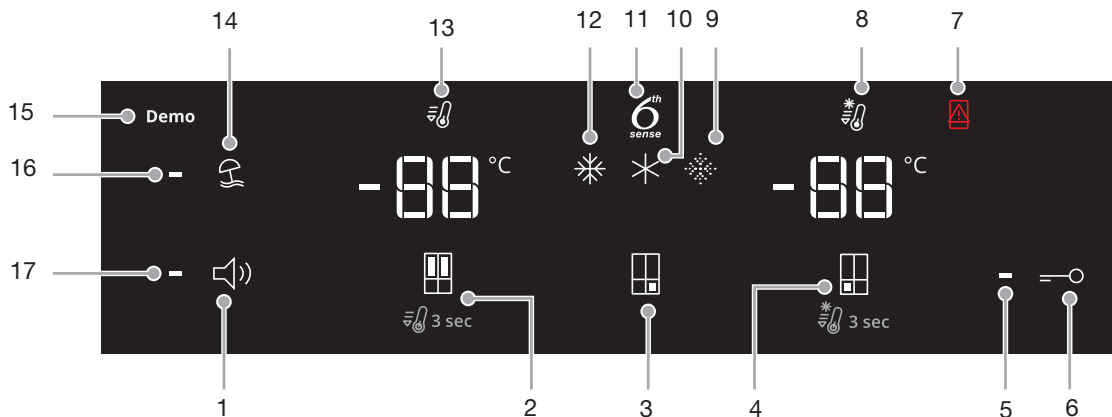
A. Pies de soporte

**IMPORTANTE:** Si necesita hacer otros ajustes con las patas con freno, deberá girarlas por igual para mantener nivelado el refrigerador.

3. Con un nivel, cerciórese de que el refrigerador esté nivelado de lado a lado y del frente hacia la parte posterior.

## Uso de los controles

Los controles táctiles se ubican en la parte izquierda de la puerta del refrigerador. El panel de control incluye información acerca de diferentes botones e indicadores. El indicador de temperatura del refrigerador y congelador muestra el último punto establecido de temperatura.



1. Botón de ON/OFF (Encendido/apagado) de sonido
2. Botón de temperatura del refrigerador (mantener presionado 3 segundos para Fast Cool)
3. Botón de temperatura preestablecido Flexi Freeze (solo con WQ9 B1L, 6WM591NIHAS y WQ70900SXX)
4. Botón de temperatura del congelador (mantener presionado 3 segundos para Fast Freeze)
5. Indicador del seguro de la tapa
6. Botón del seguro de la tapa
7. Indicador de puerta abierta
8. Indicador Fast Freeze (Congelado rápido)
9. Indicador Soft Freeze (Congelado suave) (solo con WQ9 B1L, 6WM591NIHAS y WQ70900SXX)
10. Indicador Mild Freeze (Congelado medio) (solo con WQ9 B1L, 6WM591NIHAS y WQ70900SXX)
11. Indicador 6th Sense
12. Indicador Hard Freeze (Congelado fuerte) (solo con WQ9 B1L, 6WM591NIHAS y WQ70900SXX)
13. Indicador Fast Cool (Refrigerado rápido)
14. Botón de modo de vacaciones
15. Indicador de modo de demostración (solo con WQ9 B1L, 6WM591NIHAS y WQ70900SXX)
16. Indicador de modo de vacaciones
17. Indicador de sonido

El panel de control se apagará automáticamente después de un minuto de inactividad. Para encender el panel de control, presione cualquier tecla.

### - Cómo ver y regular los puntos de ajuste de temperatura

#### Ajuste de la temperatura del refrigerador y el compartimiento del congelador:

Para su comodidad, los controles de su refrigerador y congelador vienen prefijados de fábrica.

Cuando instale el refrigerador por primera vez, asegúrese de que los controles sigan fijados en los puntos de ajuste recomendados. Los puntos de ajuste recomendados de fábrica son 3 °C para el refrigerador y -18 °C para el congelador.

Presionar el botón de temperatura del refrigerador o congelador alternará entre puntos de ajuste de temperatura en grados centígrados (°C).

#### IMPORTANTE:

- Espere 24 horas antes de colocar alimentos en el refrigerador. Si agrega alimentos antes de que el refrigerador se haya enfriado por completo, pueden echarse a perder.
- NOTA:** El poner los puntos de ajuste un ajuste más frío que el recomendado, no hará que el compartimiento se enfríe más rápido.
- Si la temperatura está demasiado elevada o demasiado baja en el refrigerador o en el congelador, antes de regular los controles, revise primero los orificios de ventilación para cerciorarse de que no estén obstruidos.
- Los ajustes recomendados deben ser los correctos para un uso doméstico normal. Los controles están ajustados correctamente cuando la leche o los jugos están tan fríos como desea y cuando el helado tiene consistencia firme.

**NOTA:** Las áreas como un garaje, un sótano o un porche pueden tener mayor humedad o temperaturas extremas. Tal vez deba regular la temperatura a ajustes diferentes de los recomendados para adaptarse a estas condiciones.

- Espere por lo menos 24 horas entre ajustes. Vuelva a verificar las temperaturas antes de realizar otros ajustes.

### 6<sup>th</sup> Sense Fresh Lock y Freeze Control

El sensor 6<sup>th</sup> SENSE Fresh Lock garantiza un control de temperatura constante y preciso para mantener los alimentos frescos por más tiempo de la forma más natural. Cuando se detecta una variación en temperatura, el sensor activa un compresor que restaura la temperatura original rápidamente.

El sensor 6<sup>th</sup> SENSE Freeze minimiza las fluctuaciones de temperatura en el congelador gracias a un sistema innovador de gestión de temperatura. Las quemaduras por congelación se reducen para preservar la calidad y el color de los alimentos.

### Ajuste Flexi Freeze (solo con WQ9 B1L, 6WM591NIHAS y WQ70900SXX)

La función Flexi Freeze permite que alterne entre temperaturas preestablecidas para el compartimiento Flexi Freeze.

Símbolo	Función	Temperatura
	Congelador tradicional	-18 °C
	Congelador medio	-12 °C
	Congelador suave	-7 °C

\* Para activar o desactivar el ajuste más frío (-20 °C), presione el botón de temperatura preestablecida Flexi Freeze por 3 segundos.

## Regule el ajuste de varias temperaturas

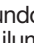
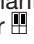
- Congelador tradicional (-18 °C): Alimentos ya congelados y alimentos frescos (máx. 12 meses)
- Congelador medio (-12 °C): Alimentos ya congelados (máx. 1 mes)
- Congelador suave (-7 °C): Alimentos ya congelados (máx. 1 semana)

Cuando regule los puntos de ajuste de la temperatura, utilice el siguiente cuadro como guía:

CONDICIÓN	REGULACIÓN DE LA TEMPERATURA
Refrigerador demasiado frío	Ajuste del refrigerador 1° más alto
Refrigerador demasiado caliente	Ajuste del refrigerador 1° más bajo
Congelador demasiado frío	Ajuste del congelador 1° más alto
Congelador demasiado caliente/muy poco hielo	Ajuste del congelador 1° más bajo


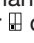
## Enfriamiento rápido

La característica Fast Cool (Enfriamiento rápido) ayuda en los períodos de alto uso del refrigerador, cargas completas de comestibles o temperaturas ambientales temporalmente elevadas.

- Para encender el enfriamiento rápido, mantenga presionado el botón de temperatura del refrigerador  durante 3 segundos. Cuando la función esté activada, el ícono Fast Cool se iluminará. La característica Fast Cool (Enfriamiento rápido) permanecerá encendida durante 2 horas a menos que se apague manualmente.
- Para apagar manualmente el enfriamiento rápido, mantenga presionado el botón de temperatura del refrigerador  durante 3 segundos. El ícono de Fast Cool desaparecerá cuando se apague la característica.
- Si se regula la temperatura del refrigerador, la característica Fast Cool (Enfriamiento rápido) se apagará automáticamente.

## Congelado rápido

La cantidad de alimentos frescos (en kg.) que se pueden congelar en 24 horas se indica en la placa de clasificación del electrodoméstico.

- Presione el botón de temperatura del congelador  durante 3 segundos (hasta que se ilumine el indicador de Fast Freeze), 24 horas antes de poner los alimentos frescos en el congelador. Después de poner los alimentos frescos en el congelador, 24 con la función Fast Freeze suele ser suficiente; después de 50 horas, la función Fast Freeze se desactiva automáticamente.
- Para apagar manualmente la función Fast Freeze, mantenga presionado el botón de temperatura del congelador  durante 3 segundos. El ícono de Fast Freeze se apagará.
- Si ajusta la temperatura del refrigerador, la característica Fast Freeze se desactivará automáticamente.

## Modo de vacaciones

Este modo está diseñado para evitar que su electrodoméstico desperdicie energía en momentos en que no estará en uso constantemente (como cuando está de vacaciones).

Al seleccionar esta función, la temperatura del compartimiento del refrigerador (RC, por sus siglas en inglés) se ajustará automáticamente en el punto más cálido.

- Para usar el modo de vacaciones, presione el botón de modo hasta que se encienda el indicador del modo de vacaciones en la pantalla.
- Para salir del modo de vacaciones, presione el botón de modo hasta que no haya íconos de modo encendidos en la pantalla.
- Si se ajusta la temperatura del refrigerador, el modo de vacaciones se apagará automáticamente.

**IMPORTANTE:** Si se selecciona este modo, deben retirarse todos los alimentos y bebidas del compartimiento del refrigerador.

## Activar o desactivar el sonido

Presione el botón para activar o desactivar los sonidos.

## Seguro

- Presione y sostenga el botón de seguro durante 3 segundos para activar la función de seguro de tapa.
- Para desactivar el seguro, presione y mantenga el botón de seguro durante 3 segundos.

La función de bloqueo ignorará toda interacción con el panel de control hasta que el usuario desbloquee el panel de control. Esta función tiene como fin evitar que se cambien los ajustes de forma no intencionada.

## Modo de demostración (solo con WQ9 B1L, 6WM591NIHAS y WQ70900SXX)

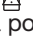
Este modo se utiliza cuando el refrigerador está en exhibición en la tienda minorista o si desea apagar el enfriamiento y desactivar todas las demás funciones, excepto la iluminación interior.

El modo de demostración se puede usar cuando sale de vacaciones por un período extendido. Consulte la sección “Cuidado en las vacaciones y en traslados” para conocer los pasos adecuados cuando deja su refrigerador en este modo por períodos extendidos.

- Si se activa el modo de demostración, se iluminará el ícono de “Demo” en la pantalla.
- Entre o salga del modo de demostración manteniendo presionado el botón de encendido o apagado de sonido más el botón de seguro simultáneamente durante 3 segundos.

## Características adicionales

### Alarma de puerta abierta

- La función de alarma de puerta abierta enciende una alarma y hace parpadear el ícono de “puerta abierta”  cuando cualquiera de las cuatro puertas queda abierta por 2 minutos o más.
- La alarma se repetirá cada 5 minutos. Cierre todas las puertas para apagarla.

**NOTA:** Para silenciar la alarma audible mientras mantiene las puertas abiertas, por ejemplo mientras se limpia el interior del refrigerador, toque cualquier botón en el panel de control. El sonido de la alarma estará apagado temporalmente, pero el ícono de Puerta abierta seguirá apareciendo en la pantalla del panel de control.

## Iluminación del refrigerador

El refrigerador tiene una luz interior que se enciende cada vez que se abre la puerta.

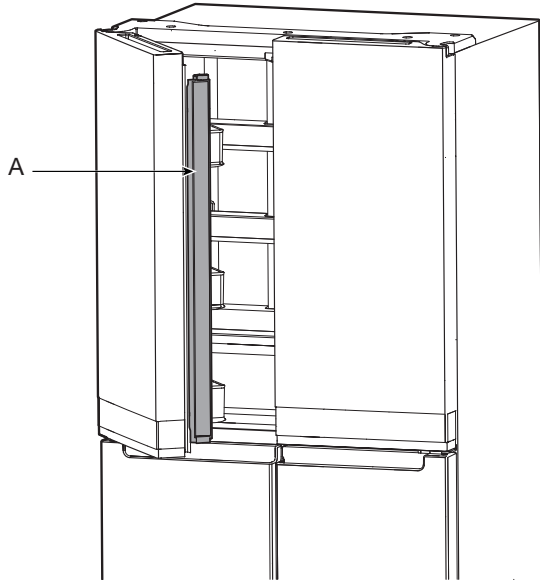
**NOTA:** La luz es un LED que no necesita cambiar. Si el LED no se ilumina cuando se abre la puerta, llame al servicio técnico para que reemplacen la luz.

# USO DE SU REFRIGERADOR

## Cómo abrir y cerrar las puertas

El compartimiento del refrigerador tiene dos puertas. Las puertas pueden abrirse y cerrarse por separado o juntas. Hay una junta con bisagras vertical en la puerta izquierda del refrigerador.

- Cuando se abre la puerta izquierda, la junta con bisagras se pliega automáticamente hacia adentro para quedar fuera del paso.
- Cuando ambas puertas están cerradas, la junta con bisagras forma automáticamente un sello entre las dos puertas.

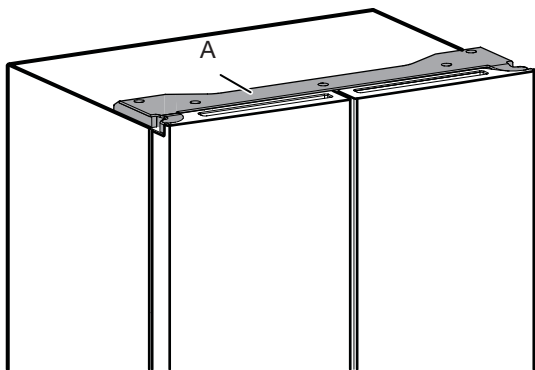


A. Junta con bisagras

El interruptor de la puerta del compartimiento del refrigerador está ubicado en la cubierta de la bisagra del lado superior izquierdo y derecho.

- Para la zona de varias temperaturas y el congelador, el interruptor de la puerta está ubicado en el panel.
- El interruptor de la puerta usa imanes para detectar la apertura y el cierre de la puerta.
- Asegúrese de que no haya imanes ni dispositivos electrónicos (altavoces, Coolvox®, etc.) a 7,62 cm de la cubierta de la bisagra.

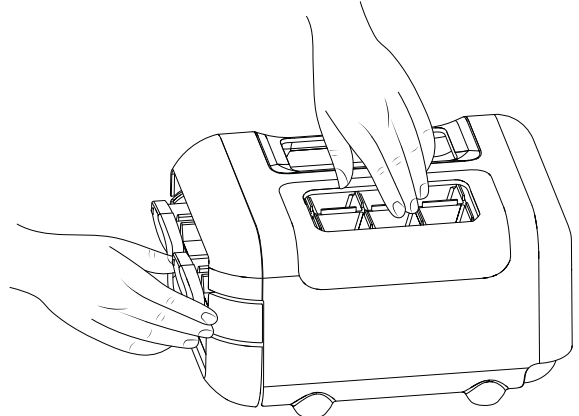
**NOTA:** La luz no se encenderá si no se detecta que se abrió la puerta.



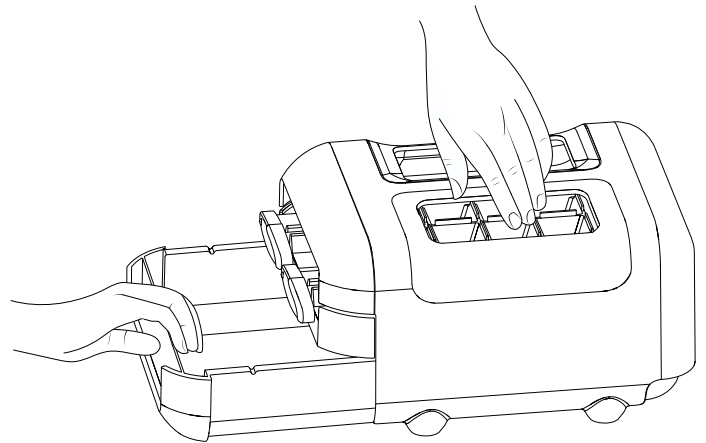
A. Cubierta de la bisagra

## Fábrica de hielo

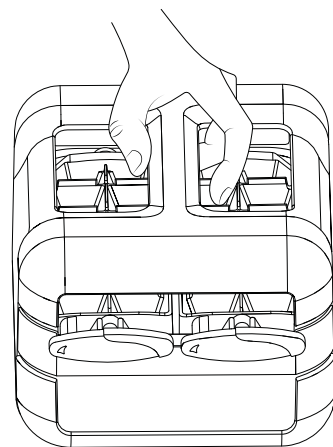
- Para hacer hielo, llene una bandeja de hielo con agua purificada y ponga la fábrica de hielo manual en el estante más alto del congelador. Espere hasta que se forme el hielo y, cuando esté listo, gire las manillas en dirección horaria para arrojar los cubos en el contenedor de hielo.



- Levante un poco el contenedor y saque el contenedor de hielo para obtener acceso a los cubos de hielo.



La estructura de la fábrica de hielo se puede sacar del congelador cuando no sea necesario hacer hielo para liberar espacio en el congelador.



## Almacenamiento de alimentos

### Almacenamiento de huevos

Se recomienda almacenar los huevos a una temperatura constante para que se mantengan frescos, así que lo mejor es mantenerlos en el refrigerador, en el estante del medio.



# ESTANTES, DEPÓSITOS Y CAJONES

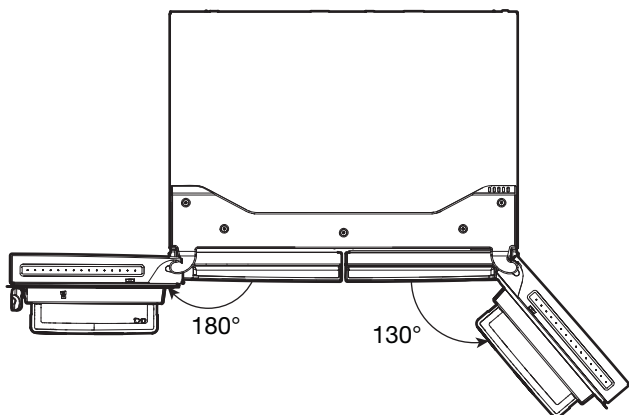
## Información importante para saber acerca de los estantes y tapas de vidrio:

No limpie los estantes y tapas de vidrio con agua caliente mientras están fríos. Los estantes y tapas pueden romperse si se exponen a cambios bruscos de temperatura o impacto, como sería un golpe brusco. El vidrio templado se ha diseñado para hacerse añicos. Esto es normal. Los estantes y tapas de vidrio son muy pesados. Use ambas manos al sacarlos para evitar que se caigan.

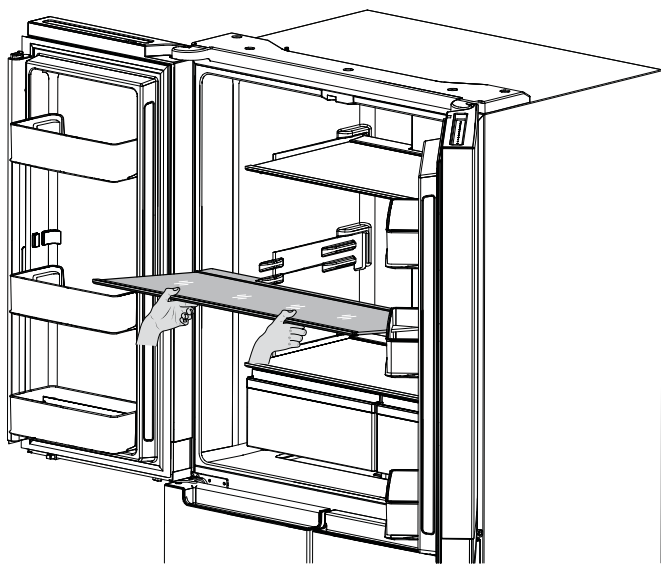
## Ajuste de la altura de los estantes

Se puede ajustar la altura de los estantes cambiando su ubicación entre el soporte inferior y superior, y viceversa

- Abra la puerta del lado derecho lo más que da.
- Abra la puerta del lado izquierdo completamente y levante la puerta para abrirla a 180°.



- Saque el estante del refrigerador y ubíquelo en la posición de montaje deseada.



- Asegúrese de que el estante esté correctamente asentado sobre los montantes de estante.

## Estantes y marcos de los estantes

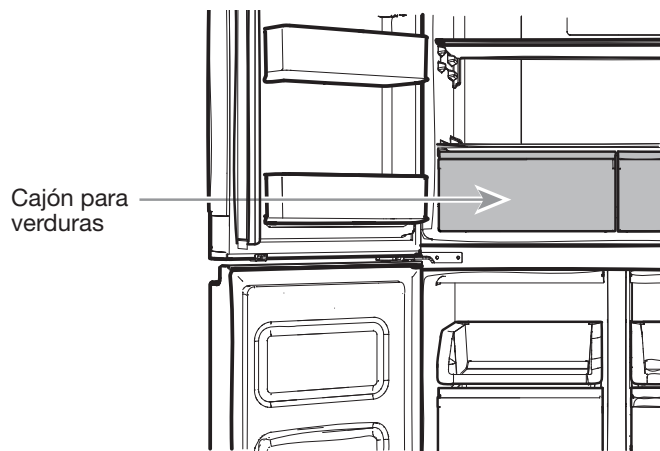
Los estantes del refrigerador son ajustables para adaptarlos a las necesidades de almacenamiento individuales.

Si se guardan alimentos similares juntos en el refrigerador y se ajustan los estantes para que se adapten a las diferentes alturas de los artículos, será más fácil encontrar exactamente el artículo que se desea. Asimismo, se reducirá el tiempo que la puerta del refrigerador permanece abierta y se ahorrará energía.

### Para retirar y volver a colocar los estantes:

1. Abra la puerta del lado derecho completamente y la del lado izquierdo completamente, y levante la puerta del lado izquierdo para que se abra a 180°.
2. Para quitar el estante del medio o el superior, levántelo y retírelo de los soportes; después, tire del estante hacia adelante e inclínelo hacia abajo hasta una posición vertical. Gire el estante en un ángulo y retírelo del refrigerador.
3. Para quitar el estante inferior, levántelo y retírelo de los soportes; después, tire del estante hacia adelante e inclínelo hacia arriba hasta una posición vertical. Gire el estante en un ángulo y retírelo del refrigerador.
4. Para volver a colocar los estantes medio y superior, coloque los estantes en el refrigerador en un ángulo con el frente del estante hacia abajo. Levante el frente del estante y deslícelo hacia adentro hasta que la parte trasera del estante caiga dentro de los soportes. Baje el frente del estante y verifique que esté en su lugar.
5. Para volver a colocar el estante inferior, coloque el estante en el refrigerador en un ángulo con el estante hacia arriba. Levante la parte frontal del estante hacia abajo y deslícelo hacia adentro hasta el estante trasero caiga dentro de sus soportes. Baje el frente del estante y verifique que esté en su lugar.

## Cajones para verduras

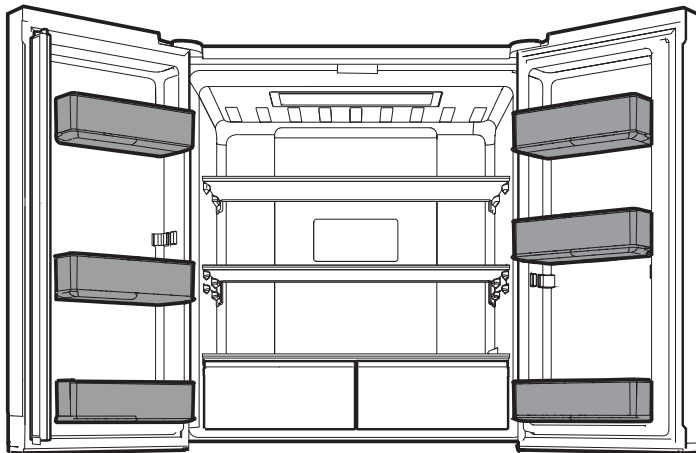


### Para quitar y volver a colocar los cajones para verduras:

1. Sujete la manija del cajón para verduras, deslícelo y tire recto hacia afuera hasta el tope. Levante el cajón fuera de la guía inferior.
2. Para volver a colocar el cajón para verduras, ubíquelo en la guía inferior para cajón y empuje más allá del tope hasta su posición.

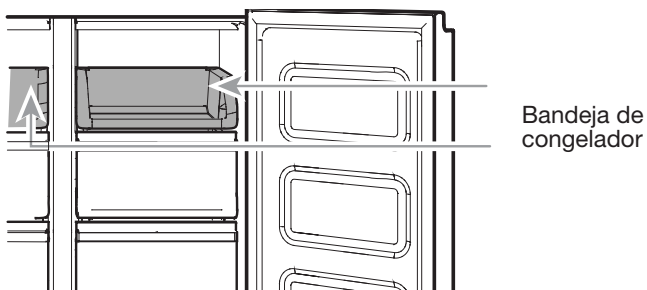
## Balcones del refrigerador

Los balcones de la puerta del refrigerador son ajustables para adaptarlos a las necesidades de almacenamiento individuales.



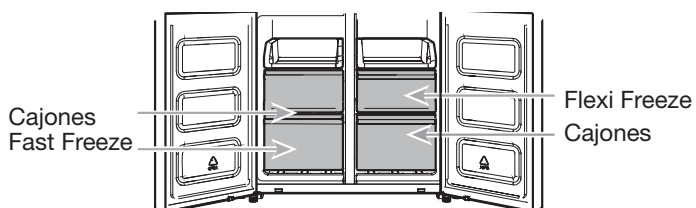
## Compartimientos de almacenamiento del congelador

### Bandeja de congelador



La bandeja del congelador es útil para acceder fácilmente a los productos que se usan con frecuencia, congelar o simplemente dejar restos de comida o elementos pequeños.

### Cajones del congelador



### Compartimiento Fast Freeze

- Los cajones Fast Freeze (Congelamiento rápido) permiten que almacene convenientemente volúmenes grandes de artículos.
- La opción Fast Freeze permite que almacene todos sus alimentos congelados de forma segura y transparente.

### Compartimiento Flexi Freeze (solo con WQ9 B1L, 6WM591NIHAS y WQ70900SXX)

El compartimiento Flexi Freeze permite que seleccione uno de los tres niveles de temperatura del congelador:  $-7\text{ }^{\circ}\text{C}$ ,  $-12\text{ }^{\circ}\text{C}$  y  $-18\text{ }^{\circ}\text{C}$  para proporcionar las mejores condiciones de almacenamiento para los diferentes tipos de alimentos.

Para mayor capacidad en el congelador, puede retirar el cajón del congelador para exponer el estante.

### Para sacar el cajón superior:

1. Sujete la manija del cajón, deslícelo y tire recto hacia afuera hasta el tope. Levante el cajón fuera de la guía inferior.
2. Para volver a colocar el cajón, colóquelo en la guía del cajón inferior y empuje más allá del tope del cajón hasta su posición.

### Estante del congelador (solo con WQ9 E1L y WQ9 B1L)

Para maximizar la capacidad del congelador, puede retirar el cajón del medio para exponer el estante que está debajo. Puede almacenar el cajón superior y poner alimentos directamente en el estante superior.

## Referencia de audio

### Asignación de tonos

Nombre del tono	Ejemplos de uso
Encendido	El sistema de enfriamiento se enciende cada vez que se enciende el producto.
Presión de tecla	El usuario presiona un botón válido.
Inválido (error)	El usuario presiona dos o más botones válidos al mismo tiempo. Interrupción de la cuenta regresiva para mantener presionados los botones.
Conexión	Reconoce que entró en un modo.
Desconexión	Reconoce que salió de cualquier modo.
Alerta	Alerta de puerta entreabierta.

Esta tabla es solamente para referencia rápida. Vea las secciones correspondientes para ver detalles. En caso de discrepancias, prevalecerán los detalles de las secciones.

## Accesorios

Para pedir accesorios, póngase en contacto con el distribuidor en donde compró su refrigerador.

## Ayuda o servicio técnico

Antes de solicitar ayuda o servicio técnico, por favor consulte la sección "Solución de problemas". Esto le podría ahorrar el costo de una visita de servicio técnico. Si considera que aún necesita ayuda, siga las instrucciones que aparecen a continuación.

### Si necesita piezas de repuesto

Para encontrar piezas de repuesto especificadas de fábrica en su localidad, llame al distribuidor en donde compró el refrigerador.

### Garantía

Para obtener información acerca de la garantía, póngase en contacto con el distribuidor en donde compró el refrigerador.

**Guarde este libro y su comprobante de compra juntos para referencia futura. Deberá proporcionar el comprobante de la compra o la fecha de instalación para obtener servicio técnico bajo la garantía.**

Escriba la siguiente información acerca de su electrodoméstico para ayudarlo a obtener ayuda o servicio técnico si alguna vez llegara a necesitarlo. Deberá tener a mano el número completo del modelo y la serie. Puede encontrar esta información en la etiqueta con el número de modelo y de serie que está ubicada en la pared interior del compartimiento del refrigerador.

Nombre del distribuidor \_\_\_\_\_

Número de serie \_\_\_\_\_

Dirección \_\_\_\_\_

Número de teléfono \_\_\_\_\_

Número de modelo \_\_\_\_\_

Fecha de compra \_\_\_\_\_

# CUIDADO DEL REFRIGERADOR

## Limpieza

### **ADVERTENCIA**



#### Peligro de Explosión

Use un limpiador no inflamable.

No seguir esta instrucción puede ocasionar la muerte, explosión o incendio.

Todas las secciones del refrigerador, congelador y Flexi Freeze se descongelan automáticamente (solo con WQ9 B1L, 6WM591NIHAS y WQ70900SXX). No obstante, limpie todas las secciones más o menos una vez al mes para evitar la acumulación de olores. Limpie los derrames de inmediato.

### Limpieza del exterior

Vea la información relativa a la limpieza del exterior que sea específica para su modelo.

#### Estilo 1: Puerta lisa

**IMPORTANTE:** La garantía no cubre los daños al acabado liso debidos al uso inadecuado de los productos de limpieza o de productos de limpieza no recomendados. Los utensilios filosos o de punta roma estropearán el acabado.

USE	NO USE
✓ Paño suave y limpio	<ul style="list-style-type: none"> <li>✗ Paños abrasivos</li> <li>✗ Toallas de papel o periódicos</li> <li>✗ Esponjas de lana de acero</li> </ul>
✓ Agua tibia jabonosa con un detergente suave	<ul style="list-style-type: none"> <li>✗ Líquidos o polvos abrasivos</li> <li>✗ Aerosoles para vidrios</li> <li>✗ Amoniaco</li> <li>✗ Limpiadores ácidos o de vinagre</li> <li>✗ Limpiadores de horno</li> <li>✗ Fluidos inflamables</li> </ul>

**NOTA:** Las toallas de papel rayan y pueden opacar el revestimiento transparente de la puerta pintada. Para evitar posibles daños, use solamente paños suaves y limpios para pulir y limpiar las puertas.

#### Estilo 2: Acero inoxidable

##### IMPORTANTE:

- Use solo los limpiadores y los paños para acero inoxidable recomendados. La garantía no cubre los daños al acabado de acero inoxidable debidos al uso inadecuado de los productos de limpieza o de productos de limpieza no recomendados.
- Evite exponer los electrodomésticos de acero inoxidable a elementos cáusticos o corrosivos como ambientes con altas concentraciones de sal, agua o humedad. La garantía no cubre los daños debidos a la exposición a estos elementos.

USE	NO USE
✓ Paño suave y limpio	<ul style="list-style-type: none"> <li>✗ Paños abrasivos</li> <li>✗ Toallas de papel o periódicos</li> <li>✗ Esponjas de lana de acero</li> </ul>
✓ Agua tibia jabonosa con un detergente suave	<ul style="list-style-type: none"> <li>✗ Líquidos o polvos abrasivos</li> <li>✗ Amoniaco</li> <li>✗ Limpiadores con base cítrica</li> <li>✗ Limpiadores ácidos o de vinagre</li> <li>✗ Limpiadores de horno</li> </ul>
✓ Para la suciedad rebelde, use solamente un limpiador para acero inoxidable diseñado para electrodomésticos. Para pedir el limpiador, puede ponerse en contacto con el distribuidor en donde compró el refrigerador.	<ul style="list-style-type: none"> <li>✗ El limpiador para acero inoxidable es solamente para las piezas de acero inoxidable. No permita que el limpiador y pulidor para acero inoxidable entre en contacto con ninguna pieza plástica, como piezas decorativas, cubiertas de despachadores o juntas de puertas.</li> </ul>

#### Estilo 3: Acero inoxidable resistente a huellas dactilares

##### IMPORTANTE:

- Evite exponer los electrodomésticos de acero inoxidable a elementos cáusticos o corrosivos como ambientes con altas concentraciones de sal, agua o humedad. La garantía no cubre los daños debidos a la exposición a estos elementos.

USE	NO USE
✓ Paño suave y limpio	<ul style="list-style-type: none"> <li>✗ Paños abrasivos</li> <li>✗ Toallas de papel o periódicos</li> <li>✗ Esponjas de lana de acero</li> </ul>
✓ Agua tibia jabonosa con un detergente suave	<ul style="list-style-type: none"> <li>✗ Líquidos o polvos abrasivos</li> <li>✗ Aerosoles para vidrios</li> <li>✗ Amoniaco</li> <li>✗ Limpiadores ácidos o de vinagre</li> <li>✗ Limpiadores de horno</li> <li>✗ Fluidos inflamables</li> </ul>

##### NOTAS:

- Si se produce contacto no intencional, limpie la pieza plástica con una esponja y detergente suave en agua tibia. Seque meticulosamente con un paño suave.
- Solamente porque un producto de limpieza sea líquido no significa que no sea abrasivo. Muchos limpiadores líquidos formulados para tener una acción suave sobre las baldosas y las superficies lisas igualmente dañan el acero inoxidable.
- El ácido cítrico produce cambios permanentes en el color del acero inoxidable.
- Para evitar dañar el acabado del refrigerador de acero inoxidable:

##### No permita que estas sustancias permanezcan sobre el acabado:

- ✗ Mostaza
- ✗ Jugo de tomate
- ✗ Salsas con base cítrica
- ✗ Productos con base cítrica
- ✗ Salsa marinera

---

## Limpieza del interior

---

1. Desenchufe el refrigerador o desconecte el suministro de energía.
2. Lave a mano, enjuague y seque todas las partes desmontables y las superficies interiores meticulosamente. Use una esponja limpia o un paño liso y un detergente suave en agua tibia.  
**NOTA:** No use productos de limpieza abrasivos ni ásperos, como rociadores para ventanas, productos de limpieza para pulir, líquidos inflamables, ceras de limpieza, detergentes concentrados, blanqueadores o productos de limpieza que contengan sustancias derivadas del petróleo en las piezas plásticas, el interior y los revestimientos de las puertas ni en las juntas.
3. Enchufe el refrigerador o reconecte el suministro de energía.

---

## Limpieza del condensador

---

Este refrigerador cuenta con un condensador integrado en cada lado. Es normal que se sienta cálido en los lados.

---

## Luces

Las luces de los compartimientos del refrigerador y del congelador son LED y no necesitan ser reemplazadas. Si las luces no se encienden cuando se abre la puerta, contacte al distribuidor que le vendió el refrigerador.

---

## Cuidado durante las vacaciones y mudanzas

---

### Vacaciones

---

**Si decide dejar el refrigerador encendido mientras está ausente:**

1. Use todos los artículos perecederos y congele el resto.
2. Si el refrigerador tiene una fábrica de hielo automática y está conectado al suministro de agua de la casa, cierre el suministro de agua al refrigerador. Si no se cierra el suministro de agua, pueden producirse daños a la propiedad.
3. Si tiene una fábrica de hielo automática, apáguela.
  - Presione el interruptor en Off (Apagado) para apagar la fábrica de hielo de la puerta.
4. Vacíe el depósito de hielo.

**Si decide apagar el refrigerador antes de irse:**

**NOTA:** Configure el refrigerador en el modo Demo (Demostración) mientras está de vacaciones. Vea la sección "Uso de los Controles".

1. Saque toda la comida del refrigerador.
2. Si el refrigerador tiene fábrica de hielo automática:
  - Cierre el suministro de agua a la fábrica de hielo al menos un día antes.
  - Cuando caiga la última carga de hielo, presione el interruptor hasta Off (Apagado) (O) para que se apague la pantalla en la parte superior del interior del refrigerador, según el modelo.
3. Vacíe el depósito de hielo.
4. Apague los controles de temperatura. Vea la sección "Uso de los Controles".
5. Limpie el refrigerador, pásele un trapo y séquelo bien.
6. Fije con cinta adhesiva bloques de goma o de madera en la parte superior de ambas puertas para mantenerlas abiertas lo suficiente como para que ingrese aire. Esto evita que se acumulen olores y moho.

---

## Mudanza

---

Si va a mudar el refrigerador a una casa nueva, siga estos pasos para prepararlo para la mudanza.


1. Si el refrigerador tiene fábrica de hielo automática:
  - Cierre el suministro de agua a la fábrica de hielo al menos un día antes.
  - Desconecte la tubería de agua de atrás del refrigerador.
  - Cuando caiga la última carga de hielo, presione el interruptor hasta Off (Apagado) (O) ya sea en la fábrica de hielo o en el control, según el modelo.
2. Saque toda la comida del refrigerador y empaque todos los alimentos congelados en hielo seco.
3. Vacíe el depósito de hielo.
4. Desenchufe el refrigerador.
5. Limpie, pase un trapo y seque meticulosamente.
6. Retire todas las piezas desmontables, envuélvalas bien y asegúrelas con cinta adhesiva para que no se sacudan durante la mudanza.
7. Según el modelo, levante la parte delantera del refrigerador para que ruede con facilidad o levante las patas niveladoras para no rayar el suelo. Vea las secciones "Para regular las puertas" o "Nivelación del refrigerador y cierre de las puertas".
8. Cierre las puertas con cinta adhesiva y fije con cinta adhesiva el cable eléctrico a la parte trasera del refrigerador.

Cuando llegue a la casa nueva, ponga todo de nuevo en su sitio y consulte la sección Instrucciones de instalación para obtener instrucciones de preparación. Además, si el refrigerador tiene fábrica de hielo automática, recuerde volver a conectar el suministro de agua al refrigerador.

# SOLUCIÓN DE PROBLEMAS

Pruebe primero las soluciones aquí sugeridas y posiblemente se una llamada al servicio técnico.

**⚠ ADVERTENCIA**



**Peligro de descarga eléctrica**

**Enchufe en un tomacorriente con conexión a tierra.**

**No quitar la clavija de tierra.**

**No utilice un adaptador.**

**No utilice un cable de extensión.**

**No seguir estas instrucciones puede ocasionar la muerte, incendios o descargas eléctricas.**

Si experimenta lo siguiente	Causas posibles	Solución
<b>Funcionamiento del refrigerador</b>		
El refrigerador no funciona.	Verifique el suministro eléctrico.	<p>Enchufe el cable de suministro en un contacto de conexión a tierra.</p> <p>No use un cable eléctrico de extensión.</p> <p>Asegúrese de que llegue corriente al contacto. Enchufe una lámpara para ver si funciona el contacto.</p> <p>Reposicione el cortacircuitos si se ha disparado. Reemplace los fusibles que se hayan quemado.</p> <p><b>NOTA:</b> Si los problemas continúan, contacte a un electricista.</p>
	Revise los controles.	Asegúrese de que los controles estén encendidos. Vea la sección "Uso de los Controles".
	Instalación nueva.	<p>Espere 24 horas después de la instalación para que el refrigerador se enfríe por completo.</p> <p><b>NOTA:</b> El ajuste de los controles de temperatura en la posición más fría no enfría ninguno de los compartimientos más rápido.</p>
	El control del refrigerador está en modo Demo (Demostración) (en algunos modelos).	Si el refrigerador está en el modo Demo (Demostración), el enfriamiento estará desactivado y se iluminará la palabra "Demo" en el panel de control. Para obtener más información, vea la sección "Uso de los controles".
	El motor parece funcionar demasiado.	<p>Compresor y ventiladores de alto rendimiento.</p> <p>La temperatura ambiente o la temperatura exterior es elevada.</p> <p>Se ha agregado recientemente una gran cantidad de alimentos calientes.</p> <p>Las puertas se abren con demasiada frecuencia o permanecen abiertas demasiado tiempo.</p> <p>Está abierta la puerta del refrigerador o el cajón del congelador.</p> <p>El control del refrigerador se ha fijado a una temperatura demasiado baja.</p> <p>La junta de la puerta o del cajón está sucia, gastada o agrietada.</p>
		<p>Los refrigeradores más grandes y con mayor ahorro de energía funcionan durante más tiempo a velocidades más bajas, con mayor eficiencia energética.</p> <p>Es normal que el refrigerador funcione durante más tiempo bajo estas condiciones. Para un rendimiento óptimo, coloque el refrigerador en un ambiente interior con temperatura controlada. Vea la sección "Requisitos de ubicación".</p> <p>Los alimentos calientes harán que el refrigerador funcione más tiempo hasta enfriar el aire a la temperatura deseada.</p> <p>El aire caliente que entra en el refrigerador hace que funcione durante más tiempo. Abra la puerta con menos frecuencia.</p> <p>Asegúrese de que el refrigerador esté nivelado. Consulte la sección "Nivelación del refrigerador y cierre de las puertas". Evite que los alimentos y los recipientes bloqueen la puerta.</p> <p>Regule el control del refrigerador en un ajuste menos frío hasta que la temperatura sea la deseada.</p> <p>Limpie la junta o cámbiela. Las fugas en el sello de la puerta harán que el refrigerador funcione por más tiempo para mantener las temperaturas deseadas.</p>

# SOLUCIÓN DE PROBLEMAS

Pruebe primero las soluciones aquí sugeridas y posiblemente se una llamada al servicio técnico.

Si experimenta lo siguiente	Causas posibles	Solución
Las luces no funcionan.	El refrigerador está equipado con luces LED que no necesita cambiar.	Si hay suministro de corriente al refrigerador y las luces no se iluminan cuando se abre una puerta o un cajón, llame para solicitar servicio o asistencia.
	Las puertas han quedado abiertas más de 10 minutos.	Cierre las puertas y el cajón para restablecer; ábralos para reanudar la tarea iluminada.
	El interruptor de la puerta no está percibiendo que la puerta está abierta.	Asegúrese de que no haya imanes ni dispositivos electrónicos a 7,62 cm (3") de la cubierta de la bisagra.
La IU de Temperature Control (Control de temperatura) no se enciende.	La interfaz de Temperature Control (Control de temperatura) se suspendió.	Presione cualquier botón de la interfaz para despertarla.
	Los botones de la interfaz de Temperature Control no están funcionando bien.	Pruebe apagar y encender la electricidad del refrigerador para que se restablezcan los botones. Si el problema persiste, llame al servicio técnico.
	La IU de Temperature Control (Control de temperatura) no recibe energía.	Verifique la conexión del juego de cables de la bisagra de la puerta.
No se puede ajustar la configuración de la interfaz de Temperature Control.	La puerta está abierta y la alarma de puerta entreabierta está activada.	Cierre la puerta.
<b>Ruidos poco comunes</b>		
Para escuchar los sonidos normales del refrigerador, vaya a la sección de Asistencia con el producto/preguntas frecuentes del sitio web de la marca y busque "sonidos normales". A continuación se enumeran algunos sonidos normales con explicaciones.		
El refrigerador parece ruidoso.	El compresor del nuevo refrigerador regula la temperatura con más eficiencia, a la vez que usa menos energía y funciona silenciosamente.	Debido a esta reducción del ruido de funcionamiento, es posible que note ruidos extraños que son normales.
Sonido del compresor funcionando más tiempo que lo esperado.	Compresor y ventiladores de alto rendimiento.	Los refrigeradores más grandes y más eficientes funcionan durante más tiempo a velocidades más bajas, con mayor eficiencia energética.
Pulsaciones/runruneos	Los ventiladores/el compresor se ajustan para optimizar el rendimiento durante el funcionamiento normal del compresor.	Esto es normal.
Estallido	Contracción/expansión de las paredes interiores, especialmente durante el enfriamiento inicial.	Esto es normal.
Sonido sibilante/Goteo	Flujo de refrigerante o flujo de aceite en el compresor.	Esto es normal.
Vibración	Es posible que el refrigerador no esté estable.	Regule los tornillos niveladores y baje la pata niveladora con firmeza contra el piso. Consulte la sección "Nivelación del refrigerador y cierre de las puertas".
Traqueteo/golpeteo	Movimiento de las líneas de agua contra el gabinete del refrigerador o artículos colocados encima.	Aleje el exceso de la línea de agua del gabinete del refrigerador o sujete el exceso de tubería al gabinete. Vea la sección "Conexión del suministro de agua" o retire los artículos de encima del refrigerador.
Chisporroteos	Agua que gotea sobre el calentador durante el ciclo de descongelamiento.	Esto es normal.
Agua corriendo/gorgoteos	Puede oírlos cuando el hielo se derrite durante el ciclo de descongelación y el agua corre hacia la bandeja colectora.	Esto es normal.

# SOLUCIÓN DE PROBLEMAS

Pruebe primero las soluciones aquí sugeridas y posiblemente se una llamada al servicio técnico.

Si experimenta lo siguiente	Causas posibles	Solución
<b>Temperatura y humedad</b>		
La temperatura está demasiado elevada.	El refrigerador se ha instalado recientemente.	Espere 24 horas después de la instalación para que el refrigerador se enfríe por completo.
	Los controles no se han ajustado correctamente según las condiciones circundantes.	Regule los controles un ajuste más frío. Revise la temperatura en 24 horas. Vea la sección "Uso de los Controles".
	Las puertas se abren a menudo o no se cierran por completo. Esto permite el ingreso de aire caliente al refrigerador.	Reduzca al mínimo el número de veces que abre la puerta y mantenga las puertas completamente cerradas.
	Se ha agregado recientemente una gran cantidad de alimentos.	Espere varias horas para que el refrigerador vuelva a la temperatura normal.
	"Demo Mode" (Modo de demostración) está encendido.	Apague el modo de demostración. Vea la sección "Uso de los Controles".
	Modo de vacaciones está activado.	Apague el modo de vacaciones. Vea la sección "Uso de los Controles".
La temperatura está demasiado baja en el refrigerador/cajón para verduras.	Están bloqueados los orificios de aire del refrigerador.	Si el orificio de ventilación del centro de la parte trasera del compartimiento del refrigerador está obstruido con artículos colocados directamente delante del orificio, la temperatura del refrigerador bajará demasiado. Aleje los artículos del orificio de ventilación de aire.
	Los controles no se han ajustado correctamente según las condiciones circundantes.	Regule los controles en un ajuste más caliente. Revise la temperatura en 24 horas. Vea la sección "Uso de los Controles".
	El depósito de hielo no está en la posición correcta.	Consulte la sección "Fábrica de hielo y depósito de hielo".
La temperatura está demasiado baja en el cajón con temperatura controlada.	El control no se ha ajustado correctamente para los artículos guardados en el cajón.	Regule el ajuste de temperatura. Consulte "Uso de los controles" en la sección "Uso del refrigerador".
Hay acumulación de humedad en el interior. <b>NOTA:</b> Es normal que se acumule un poco de humedad.	La habitación es húmeda.	Un ambiente húmedo contribuye a que se acumule humedad.
	Las puertas se abren a menudo o no se cierran por completo. Esto hace que entre aire húmedo al refrigerador.	Reduzca al mínimo las veces que abre la puerta y cierre las puertas por completo.
	Las puertas quedaron bloqueadas abiertas.	Aleje los paquetes de alimentos de la puerta.
	Hay un recipiente o un estante bloqueando el paso.	Empuje el recipiente o el estante nuevamente a la posición correcta.
	Se está guardando líquido en recipientes abiertos.	Esto agrega humedad al interior del refrigerador. Mantenga todos los recipientes bien cerrados.
Hay acumulación de escarcha/hielo en el compartimiento del congelador.	La puerta se abre a menudo o se deja abierta.	Reduzca al mínimo las veces que abre la puerta y ciérrela por completo después de usarla.
	La puerta tiene un sello deficiente.	Cerciórese de que los sellos de las puertas hagan contacto completo con el gabinete del refrigerador para permitir un cierre hermético.
	Los controles de temperatura no están fijados correctamente.	Vea la sección "Uso de los controles" para conocer los ajustes de temperatura recomendados.

# SOLUCIÓN DE PROBLEMAS

Pruebe primero las soluciones aquí sugeridas y posiblemente se una llamada al servicio técnico.

ADVERTENCIA

**Peligro de Explosión**

**Use un limpiador no inflamable.**

**No seguir esta instrucción puede ocasionar la muerte, explosión o incendio.**

Para ver una animación que le muestra cómo regular y alinear las puertas, consulte la sección de asistencia con el producto/preguntas frecuentes del sitio web de la marca y busque “cierre y alineación de las puertas”.

Si experimenta lo siguiente	Causas posibles	Solución
<b>Puertas</b>		
Las puertas no cierran completamente.	Las puertas quedan abiertas debido a un bloqueo.	Aleje los paquetes de alimentos de la puerta.
	Hay un recipiente o un estante bloqueando el paso.	Empuje el recipiente o el estante nuevamente a la posición correcta.
	Instalación reciente	Quite todos los materiales de empaque.
Es difícil abrir las puertas.	Las juntas de las puertas están sucias o pegajosas.	Limpie las juntas y las superficies de contacto con jabón suave y agua tibia. Enjuague y seque con un paño suave.
Las puertas parecen estar desparejas.	Es necesario alinear las puertas o nivelar el refrigerador.	Si necesita alinear la puerta, llame para pedir servicio técnico.
El refrigerador está inestable o rueda hacia adelante cuando se abren y se cierran las puertas.	Las patas con freno del refrigerador no están firmes contra el piso.	Gire en sentido antihorario ambos pies de soporte (uno a cada lado) la misma cantidad de veces hasta que queden firmes contra el piso. Consulte la sección “Nivelación del refrigerador y cierre de las puertas”.



## فهرس المحتويات

560	سلامة الثلاجة
563	التخلص السليم من ثلاجتك القديمة
564	الأجزاء والميزات
565	إرشادات التثبيت
565	الشروع في الاستخدام
565	أزل مواد التعبئة والتغليف من على الثلاجة
566	متطلبات موقع التركيب
566	المتطلبات الكهربائية
568	إزالة أبواب الثلاجة واستبدالها
570	أزل واستبدل باب المجمد/باب فلكسي فريز
571	ضبط مستوى الثلاجة
572	استخدام عناصر التحكم
573	إضاءة الثلاجة
574	استخدام الثلاجة
574	فتح وإغلاق الأبواب
574	تخزين المواد الغذائية
575	الرفوف والصناديق والأدراج
576	حجيرات التخزين في المجمد
576	المرجع الصوتي
576	الملحقات
576	الدعم أو الخدمة
577	العناية بالثلاجة
577	التنظيف
578	المصاييح
578	العناية في العطلات والتحرك
579	استكشاف الأخطاء وإصلاحها

# سلامة الثلجة

سلامتك وسلامة الآخرين مهمة جدًا.

قدّمنا العديد من رسائل السلامة الهامة في هذا الدليل وعلى الجهاز الخاص بك. يتحتم عليك قراءة رسائل السلامة واتباعها جميعًا دائمًا

هذا هو رمز تنبيه السلامة.

هذا الرمز ينبهك إلى المخاطر المحتملة التي يمكن أن تقتل أو تضرك أو تضر غيرك.

سوف يتبع كل رسائل السلامة رمز التنبيه للسلامة أو كلمة "خطر" أو "تحذير".

هذه الكلمات تعني:



قد تقتل أو تصاب إصابة خطيرة إذا لم تتبع التعليمات مباشرةً.

 خطر

قد تقتل أو تتعرض لإصابة خطيرة إذا لم تتبع التعليمات.

 تحذير

كل رسائل السلامة سوف تخبركم ما هو الخطر المحتمل، وتخبركم عن كيفية تقليل احتمال الإصابة، وتخبركم ماذا يمكن أن يحدث إذا لم يتم اتباع التعليمات.

⚠ تحذير: لا تستخدم أجهزة ميكانيكية أو كهربائية أو كيميائية غير تلك الموصى بها من قبل جهة الصنع، في تسريع عملية إذابة الثلج. ⚠ تحذير: لا تستخدم أو تضع أجهزة كهربائية داخل وحدات التبريد والتجميد إلا إذا كانت من النوع الموصى به صراحة من قبل الشركة المصنعة.

⚠ تحذير: صانع الثلج الأوتوماتيكي وموزع المياه غير الموصلين مباشرة بمصدر مياه يجب ملؤهما بماء الشرب فقط.

⚠ تحذير: يجب توصيل صانع الجليد التلقائي وموزع المياه بإمدادات المياه التي من شأنها أن توفر مياه الشرب فقط، مع ضغط المياه في الأنابيب من بين 0.17 و 0.81 ميغا باسكال (1.7 و 8.1 بار).

⚠ لا تقم بتخزين المواد المتفجرة مثل علب الأيروسول المحتوية على مادة سريعة الاشتعال في هذا الجهاز.

⚠ لا تتبلع محتويات (غير سامة) كحزم الثلج (مزودة في بعض الموديلات). لا تأكل مكعبات الثلج أو كرات الثلج بعد أخذها مباشرة من الثلاجة لأنها قد تسبب الحروق الباردة.

⚠ بالنسبة إلى المنتجات المصممة لاستخدام مرشح هواء داخل غطاء مروحة يمكن الوصول إليه، يجب أن يكون المرشح دائماً في وضع تكون فيه الثلاجة قيد التشغيل.

⚠ لا تحفظ الأوعية الزجاجية التي تحتوي على سائل في حجرة الفريزر، لأنها قد تنكسر. لا تعرقل المروحة (إن وجدت) بواسطة المواد الغذائية. بعد وضع الطعام راجع ما إذا كانت أبواب الأقسام مغلقة بشكل صحيح، وخاصة باب الثلاجة.

⚠ يجب استبدال الحشوات التالفة بأسرع وقت ممكن.

⚠ لا يستخدم قسم التبريد إلا لحفظ الأطعمة الطازجة. ولا يستخدم قسم التجميد إلا لحفظ الأطعمة المجمدة، وتجميد الأطعمة الطازجة، وعمل مكعبات الثلج.

⚠ تجنب تخزين الأطعمة غير الملفوفة وملامستها للأسطح الداخلية للثلاجة أو المجمد.

⚠ الأجهزة يمكن أن يكون بها أقسام خاصة (قسم الأغذية الطازجة، علبة الدرجة صفر، إلخ). إذا لم يحدد خلاف ذلك في الكتيب الخاص بالمنتج، يمكن إزالتها، مع الحفاظ على أداء معادل.

#### التركيب

⚠ هذا الجهاز يجب التعامل معه وتركيبه بواسطة شخصين أو أكثر. استخدم قفازات للحماية من أجل إزالة مواد التعبئة والتغليف ومن أجل التركيب - تجنباً لخطر الجروح.

⚠ يجب أن يتم التركيب، بما في ذلك إمدادات المياه (إن وجدت) وعمل التوصيلات الكهربائية والإصلاحات من قبل فني مؤهل. لا تقم بإصلاح أو استبدال أي جزء من الجهاز ما لم يكن ذلك مطلوباً بالتحديد في دليل المستخدم. ابق الأطفال بعيداً عن مكان التركيب.

⚠ بعد فتح الجهاز، تأكد من أنه لم يتعرض للتلف أثناء النقل. في حالة وجود أية مشاكل، اتصل بالوكيل أو بأقرب مركز لخدمة ما بعد البيع. بمجرد التركيب، يجب تخزين نفايات التعبئة والتغليف (البلاستيك، وأجزاء الستائر والفوم وغير ذلك) بعيداً عن متناول الأطفال - تفادياً للتعرض لخطر الاختناق. يجب فصل الجهاز عن مصدر الطاقة قبل القيام بأي أعمال تركيب - تجنباً لخطر الصدمة الكهربائية. أثناء التركيب، تأكد أن الفريزر لن يتسبب في إتلاف سلك توصيل التيار - تجنباً لنشوب الحريق أو التعرض للصدمة الكهربائية. قم بتنشيط الجهاز فقط عند اكتمال التركيب.

قبل استخدام الجهاز، يُرجى قراءة تعليمات السلامة. احتفظ بهذه التعليمات للاطلاع عليها مستقبلاً كمرجع. يقدم لك هذا الدليل والجهاز نفسه تحذيرات هامة خاصة بالسلامة يجب قراءتها والالتزام بها في جميع الأوقات. لا تتحمل الشركة المصنعة أي مسؤولية تجاه عدم مراعاة تعليمات السلامة تلك، نظراً للاستخدام غير الملائم للجهاز أو ضبط أدوات التحكم بشكل غير صحيح.

⚠ يجب إبقاء الأطفال الصغار جداً (0-3 سنوات) بعيداً عن الجهاز. يجب إبقاء الأطفال الصغار (3-8 سنوات) بعيداً عن الجهاز ما لم يتم الإشراف عليهم بشكل مستمر. لا يمكن للأطفال من 8 سنوات فما فوق والأشخاص الذين يعانون من انخفاض القدرات الجسدية أو الحسية أو العقلية أو نقص الخبرة والمعرفة استخدام هذا الجهاز إلا إذا تم الإشراف عليهم أو أعطيت لهم التعليمات حول الاستخدام الآمن للجهاز، وفهموا المخاطر المتعلقة بذلك. يجب عدم عبث الأطفال بالجهاز. يجب ألا يتم التنظيف أو الصيانة المنزلية بواسطة الأطفال من دون رقابة.

#### الاستخدام المسموح به

⚠ تنبيه: الجهاز غير مصمم لكي يتم تشغيله بواسطة مؤقت خارجي أو نظام منفصل للتحكم عن بعد.

⚠ صُنع هذا الجهاز من أجل أن يستخدم في المنازل والاستخدامات المماثلة مثل مناطق مطابخ الموظفين في المحال والمكاتب وأماكن العمل الأخرى؛ والمنازل الموجودة في المزارع ومن قبل عملاء الفنادق والموتيلات والأماكن التي يتوفر فيها سرير وإفطار والأماكن السكنية الأخرى.

⚠ الجهاز ليس للاستخدام المهني. لا تستخدم هذا الجهاز في الخارج في بيئة مفتوحة.

⚠ تم تصميم الجهاز لتشغيله في الأماكن التي تكون فيها درجة الحرارة المحيطة في الحدود التالية حسب فئة المناخ الموجودة على لوحة المعايير. قد لا يعمل الجهاز بالطريقة الصحيحة إذا ترك لمدة طويلة عند درجة حرارة تزيد على المدى المحدد أو تقل عنه. فئة المناخ لدرجة الحرارة المحيطة (مئوية)

SN: من 10 إلى 32 درجة N: من 16 إلى 32 درجة مئوية؛

ST: من 16 إلى 38 درجة T: من 16 إلى 43 درجة مئوية؛

⚠ لا يحتوي هذا الجهاز على مركبات الكربون الكلوروفلورية. تحتوي دائرة المبرد على (R600a (HC). الأجهزة التي تعمل بالأيسوبوتين (R600a): الأيسوبوتين غاز طبيعي ليس له تأثير على البيئة ولكنه قابل للاشتعال. لذلك، تأكد من عدم تلف أنابيب دائرة التبريد، خاصة عند تفريغ دائرة المبرد.

⚠ تحذير: احرص على عدم إتلاف دائرة تبريد الجهاز.

⚠ تحذير: احرص على عدم انسداد فتحات التهوية في غطاء الجهاز أو البنية المضمنة.

## التخلص من مواد التعبئة والتغليف

يمكن إعادة تدوير مواد التغليف بنسبة 100%، ويؤكد ذلك رمز إعادة التدوير ♻️. وبناء على ذلك، يجب التخلص من مختلف أجزاء مواد التعبئة والتغليف تخلصاً مسؤولاً ومع الامتثال الكامل للوائح السلطات المحلية التي تنظم التخلص من النفايات.

## التخلص من الأجهزة الكهربائية المنزلية

تم تصنيع الجهاز من مواد يمكن إعادة تدويرها أو إعادة استخدامها. تخلص من المنتج طبقاً للوائح واللوائح المحلية. لمزيد من التفاصيل عن معالجة هذا المنتج واسترداده وإعادة تدويره، يرجى الاتصال بالجهة المحلية المختصة أو مركز خدمة التخلص من المخلفات المنزلية أو المحل الذي اشتريته منه الجهاز يتوافق هذا الجهاز مع توجيهات السوق الأوروبية 2012/19/EU، بشأن نفايات الأجهزة الكهربائية والإلكترونية (WEEE). بحرصك على التخلص من هذا المنتج بطريقة سليمة، ستساعد على تجنب الآثار السلبية المحتمل حدوثها بالنسبة للبيئة وصحة الأفراد. يشير الرمز ♻️ الموجود على الجهاز أو المستندات المرفقة إلى أن هذا الجهاز يجب عدم التعامل معه على أنه ضمن المخلفات المنزلية، ولكن يجب، بدلاً من ذلك، أخذه إلى مركز تجميع خاص بإعادة تدوير الأجهزة الكهربائية والإلكترونية.

## نصائح لتوفير الطاقة

قم بتثبيت الجهاز في غرفة جافة جيدة التهوية بعيداً عن أي مصدر للحرارة (مثل المبرد، الموقد، إلخ) وفي مكان لا يتعرض لأشعة الشمس المباشرة. إذا لزم الأمر، استخدم صفيحة عازلة. لضمان التهوية الكافية اتبع إرشادات التثبيت. التهوية غير الكافية خلف المنتج يزيد من استهلاك الطاقة ويقلل من كفاءة التبريد. إن الفتح المتكرر للباب قد يسبب زيادة في استهلاك الطاقة. قد تتأثر درجة الحرارة الداخلية للجهاز واستهلاك الطاقة أيضاً بسبب حرارة البيئة المحيطة وكذلك بسبب موقع الجهاز. ضبط درجات الحرارة يعتمد على هذه العوامل.

خفف مرات فتح الباب إلى الحد الأدنى. عند إذابة الأغذية المجمدة، ضعها في الثلاجة. درجة الحرارة المنخفضة للمنتجات المجمدة تبرد الطعام في الثلاجة اسمح للأغذية والمشروبات الدافئة لتبرد قبل وضعها في الجهاز. مواقع الرفوف في الثلاجة ليس لها أي تأثير على الاستخدام الفعال للطاقة. يجب وضع الطعام على الرفوف بالطريقة التي تضمن دوران الهواء الصحيح (يجب أن تبقى المواد الغذائية غير ملامسة لبعضها البعض، ويجب حفظ المسافة بين الغذاء والجدار الخلفي). يمكنك زيادة سعة تخزين المواد الغذائية المجمدة عن طريق إزالة السلال حال وجودها وإيقاف رف التجميد.

لا تقلق بشأن الضجيج الصادر عن الضاغط والذي هو ضجيج عادي طبقاً لما هو وارد في الدليل السريع للمنتج.

⚠️ احرص على عدم إتلاف الأرضيات (مثل الباركيه) عندما تحرك الجهاز. قم بتركيب الجهاز على أرضية أو دعامة قوية تتحمل وزنه، وفي مساحة تناسب حجمه واستخدامه. تأكد أن الجهاز ليس قريباً من مصدر حرارة، وأن الأقدام الأربعة ثابتة، وتستقر على الأرضية، وأنه تم تعديلها طبقاً لما هو مطلوب، وتحقق من أن الجهاز مستوي بما يكفي باستخدام مقياس مستوى الماء. انتظر لمدة ساعتين على الأقل قبل تشغيل الجهاز، حتى تضمن أن دائرة التبريد في كامل كفاءتها.

⚠️ لضمان التهوية الجيدة، يجب ترك فراغ على الجانبين وفوق الجهاز واتباع إرشادات التركيب. يجب أن تكون المسافة بين مؤخرة الجهاز والجدار الموجود خلفه 50 مم لتجنب الوصول إلى الأسطح الساخنة. إن خفض هذه المسافة سوف يزيد من استهلاك الطاقة في الجهاز.

⚠️ تحذير: لتجنب الخطر بسبب عدم الاستقرار، يجب أن يتم وضع أو تثبيت الجهاز وفقاً لتعليمات الشركة المصنعة. يُحظر وضع الثلجة بطريقة يلامس فيها الخرطوم المعدني الغاز أو الموقد أو مواسير الغاز أو الماء أو الأسلاك الكهربائية أو الجدار الخلفي للثلاجة (ملف المكثف).

⚠️ إذا كان استبدال الأبواب ضرورياً، فضلاً اتصل بمركز الدعم التقني.

## التحذيرات الكهربائية

⚠️ يجب أن يكون من الممكن فصل الجهاز عن مصدر الطاقة عن طريق فصله في حالة الوصول إلى القابس أو من خلال مفتاح متعدد الأقطاب مثبت فوق مخرج المقبس وفقاً لقواعد التوصيل، ويجب أن يكون الجهاز مؤرضاً بما يتفق مع معايير السلامة الكهربائية الوطنية.

⚠️ لا تستخدم أسلاك الإطالة أو مهائيات التيار. يجب أن لا يتمكن المستخدم بعد إنهاء عمليات التركيب من الوصول إلى المكونات الكهربائية. لا تستخدم الجهاز وأنت مبلل أو رطب. لا تقم بتشغيل هذا الجهاز إذا كان به كبل طاقة أو قابس تالف، أو إذا كان لا يعمل بشكل صحيح، أو إذا كان قد تعرض للتلف أو السقوط.

⚠️ في حالة تلف سلك التيار الكهربائي، يجب أن تستبدله الشركة المصنعة أو وكيل الصيانة التابع لها أو غيره من الأشخاص المؤهلين لتفادي التعرض للخطر.

⚠️ تحذير: عند وضع الجهاز، تأكد أن سلك الإمداد غير عالق أو تالف.

⚠️ تحذير: لا تضع مقابس محمولة أو مصادر محمولة للتيار فوق مؤخرة الجهاز.

## التنظيف والصيانة

⚠️ تحذير: تأكد من إيقاف تشغيل الجهاز وفصله عن مصدر الطاقة قبل تنفيذ أي عملية صيانة؛ ولا تستخدم أبداً معدات تنظيف البخار - حيث يعرض ذلك لخطر حدوث صدمة كهربائية.

⚠️ لا تستخدم مواد الصنفرة أو منظفات قاسية مثل بخاخ النوافذ، منظفات الجلي، السوائل سريعة الاشتعال، شمع التنظيف، المنظفات المركزة، مواد التبييض أو المنظفات التي تحتوي على مواد بترولية على الأجزاء البلاستيكية والبطانات الداخلية وبطانات الأبواب أو الحشوات. لا تستخدم فوط ورقية أو ليفة جلي، أو أدوات تنظيف أخرى قاسية.



## التخلص السليم من ثلاجتك القديمة

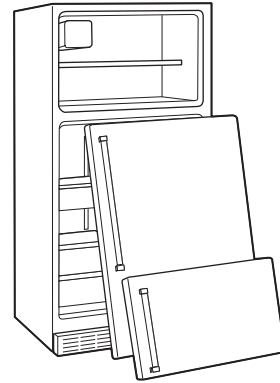
### تحذير ⚠

#### خطر الاختناق

أزل الأبواب من الثلاجة القديمة.  
يمكن أن يؤدي عدم القيام بذلك إلى الموت أو إلى ضرر للمخ.

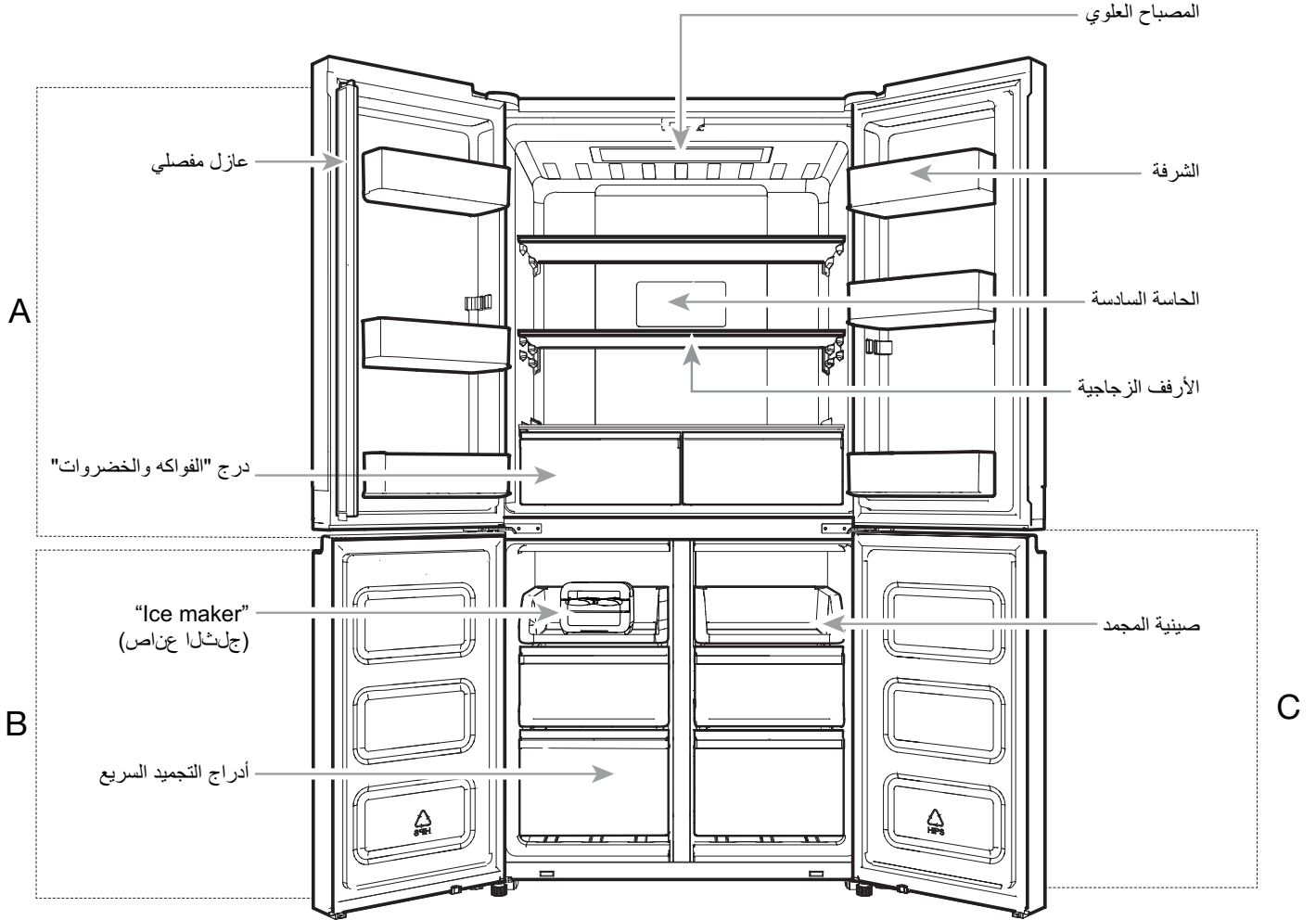
**هام:** انحباس الأطفال والاختناق هي مشاكل محتملة. الثلاجات المكهنة أو التي تم التخلص منها لا تزال خطيرة - حتى لو كانت ستبقى "بضعة أيام فقط" إذا كنت ستقوم بالتخلص من ثلاجتك القديمة، يرجى اتباع هذه التعليمات للمساعدة في منع وقوع الحوادث.  
**قبل التخلص من ثلاجتك أو الفريزر القديمين :**

- تفكيك الأبواب
- اترك الرفوف في مكانها حتى لا يمكن للأطفال الوثوب بداخلها بسهولة.



معلومات هامة عن التخلص من المبردات يجب التعرف عليها:  
تخلص من الثلاجة وفقاً للوائح المحلية والفيدرالية الصادرة عن حكومات الولايات.  
يجب إخلاء المبردات بالاستعانة بفني مبردات معتمد من EPA ومرخص طبقاً للإجراءات المتبعة.

## الأجزاء والميزات



A. الثلاجة

B. فريزر

C. فليكسي فريزر (فقط مع WQ70900SXX و WQ9 B1L، 6WM591NIHAS)

## إرشادات التثبيت

### أزل مواد التعبئة والتغليف من على الثلاجة

#### تحذير

وزن زائد خطير  
استخدم شخصين أو أكثر لتحريك وتثبيت الثلاجة.  
يمكن أن يؤدي عدم القيام بذلك إلى إصابة في الظهر أو أية إصابة أخرى.

#### توصيل الثلاجة

يشترط ألا تقل فتحة الباب عن 838 مم (33 بوصة). إذا كانت فتحة الباب 914 مم (36 بوصة) أو أقل، فيجب إزالة الأبواب والدرج والمفصلات.  
انقل الثلاجة من الجانب لجميع فتحات الباب.

#### عند نقل ثلاجتك:

الثلاجة ثقيلة. عند تحريك الثلاجة للتنظيف أو الصيانة، يجب التأكد من تغطية الأرضية بالورق المقوى أو ألواح لتجنب إتلاف الأرضية. اسحب دائماً الثلاجة على خط مستقيم عند نقلها. لا تدرج أو تزحف بالثلاجة عند محاولة تحريكها، حيث يمكن أن يحدث ضرر بالأرضية.

#### إزالة التغليف

- أزل الشريط وبقايا الغراء من على سطح الثلاجة قبل تشغيلها. افرك كمية صغيرة من المنظف السائل على اللاصق بأصابعك. امسح بماء دافئ وجفف.
- لا تستخدم أدوات حادة، أو الكحول، أو السوائل القابلة للاشتعال، أو المنظفات الكاشطة لإزالة الشريط أو الغراء. فقد تتلف هذه المنتجات سطح الثلاجة.
- تخلص من/أعد تدوير جميع مواد التعبئة والتغليف.

#### نظف قبل الاستخدام

بعد إزالة جميع مواد التعبئة والتغليف، قم بتنظيف ثلاجتك من الداخل قبل استخدامها. انظر تعليمات التنظيف في قسم "العناية بالثلاجة".

#### معلومات هامة يجب عليك معرفتها عن إيقاف التبريد والتجميد

التجميد أو التبريد الدافئ عند ما نبدأ من باردة. قد نبدأ التجميد والتبريد للتجميد في درجة الحرارة أو التجميد أو التجميد. وهذا التجميد والتبريد إلى قيع كالتجميد في حيز التجميد. وهذا التجميد والتبريد لتجميد. اسدق كل التجميد عن إزالتها للتجميد.

### الشروع في الاستخدام

#### قائمة مراجعة التركيب

✓ الطاقة الكهربائية

#### تحذير



#### خطر الصدمة الكهربائية

وصلة بمخرج مؤرض (متصل بالأرض).  
لا تقم بإزالة فتحة الأرض.  
لا تستخدم أي مهابى.  
لا تستخدم سلك إطالة.  
يمكن أن يؤدي عدم اتباع هذه التعليمات إلى الموت أو الحريق، أو الصدمة الكهربائية.

■ صل الثلاجة بمقيس مؤرض.

✓ الأبواب

■ إذا كان هناك حاجة لإزالة الأبواب أثناء التركيب، راجع أقسام "إزالة أبواب الثلاجة واستبدالها" و"إزالة واجهات باب الفريزر واستبدالها".

■ الأبواب معزولة تماماً.

■ الثلاجة مستوية. اضبط أقدام التسوية بحيث تكون في وضع مريح على الأرضية.

■ الأبواب على استقامة واحدة عبر الجزء العلوي. (استخدم ميزة محاذاة الأبواب إذا لزم الأمر).

✓ الفحص النهائي

■ أزل جميع مواد الشحن.

■ قم بتعيين عناصر التحكم في درجة الحرارة إلى الإعداد الموصى به.

■ احفظ التعليمات والمراجع الأخرى.

■ من أجل تلقي المساعدة التقنية الأكثر اكتمالاً، فضلاً عن سجل منتجك على الموقع الإلكتروني [www.whirlpool.eu/register](http://www.whirlpool.eu/register)

## المتطلبات الكهربائية

تحذير ⚠



خطر الصدمة الكهربائية

وصلة بمخرج مؤرض (متصل بالأرض).

لا تقم بإزالة فتحة الأرض.

لا تستخدم أي مهالبي.

لا تستخدم سلك إطالة.

يمكن أن يؤدي عدم اتباع هذه التعليمات إلى الموت أو الحريق، أو الصدمة الكهربائية.

**هام:** يجب إجراء التوصيلات الكهربائية بواسطة فني مؤهل وفقاً لإرشادات جهة التصنيع ولوائح السلامة القياسية المعمول بها.

■ تم تصميم الثلاجة لتعمل على تيار 220-240 فولت منفصل، 10 أمبير، ودائرة بتردد 60/50 هرتز.

■ تأكد من أن الجهد المحدد في لوحة التصنيف يقابل الجهد المتوفر في منزلك.

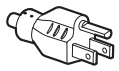
■ يجب أن يكون فصل التيار ممكناً إما بخلع القابس من مصدر التيار أو بواسطة مفتاح بقبضتين يتم تركيبه فوق المقبس.

■ في حالة تلف سلك التيار الكهربائي، يجب استبداله من قبل الشركة المصنعة أو وكيل الصيانة التابع لها أو غيره من الأشخاص المؤهلين لتفادي التعرض للخطر.

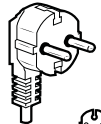
قبل أن تنقل الثلاجة إلى مكانها النهائي، من المهم التأكد من وجود التوصيلات الكهربائية المناسبة.

**طريقة التأسيس الموصى بها**

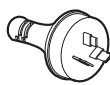
يجب استخدام مصدر كهربائي مزود بتأريض ومنصهر بقدرته 220-240 فولت 50 هرتز، 220 فولت 60 هرتز، أو 240/230 فولت 50 هرتز تيار متردد فقط 10 أمبير.



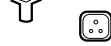
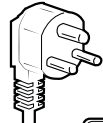
النوع ب



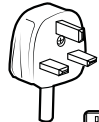
النوع E و F



النوع I



النوع M



النوع G

**بالنسبة لأستراليا ونيوزيلندا:**

تم تصنيع الجهاز الجديد خصيصاً لتلبية جميع المعايير والشروط الأسترالية.

قد تشير بعض الملاحظات في تعليمات التركيب إلى المتطلبات الكهربائية في بلدان أخرى، لذلك نلفت انتباهك بشكل خاص إلى هذه الملاحظات المحددة.

يحتاج الجهاز إلى أن يكون موصولاً بمقبس مؤرض 240/230 فولت 50 هرتز تيار متردد فقط 10 أمبير.

## متطلبات موقع التركيب

تحذير ⚠



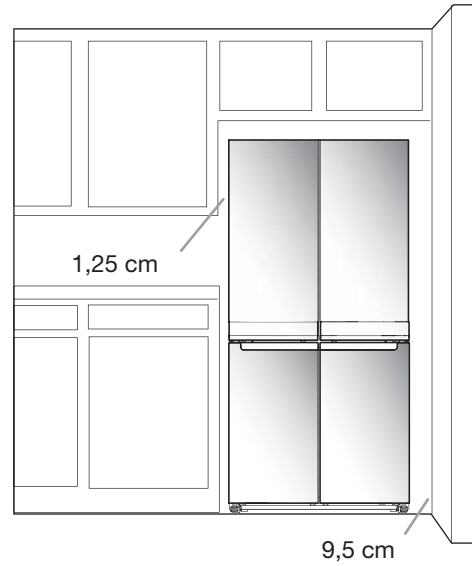
خطر الانفجار

حافظ على المواد والأبخرة القابلة للاشتعال مثل البنزين، بعيداً عن الثلاجة.

يمكن أن يؤدي عدم القيام بذلك إلى الموت أو إلى الانفجار أو الحريق.

لضمان التهوية الصحيحة للثلاجة، اترك مساحة تبلغ 1.25 سم على كل جانب وفي الأعلى. اترك مساحة تبلغ 5 سم خلف الثلاجة. إذا كان بثلاجتك صانع ثلج، اسمح بمساحة إضافية في الخلف لتوصيلات خط المياه. عند تركيب ثلاجتك بجوار جدار ثابت، اترك مسافة 9.5 سم كحد أدنى بين الثلاجة والجدار للسماح للباب المتأرجح بالفتح.

**ملاحظة:** إن هذه الثلاجة مخصصة للاستخدام في الأماكن التي تكون درجة الحرارة فيها في نطاق من 10 درجات مئوية بحد أدنى إلى 43 درجة مئوية بحد أقصى. تتراوح درجة حرارة البيئة المحيطة للحصول على أفضل أداء بين 15 درجة مئوية و32 درجة مئوية. يُوصى بأن لا تقوم بتركيب الثلاجة بالقرب من مصدر حرارة مثل الفرن أو المبرد، حيث أن الالتزام بهذا يخفض استهلاك الكهرباء، ويوفر تبريداً أفضل.





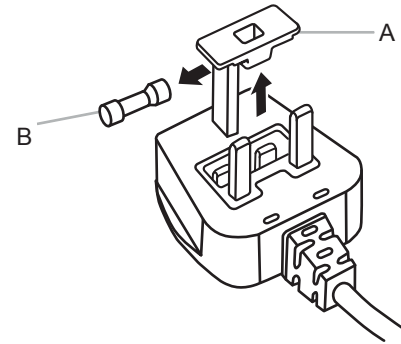
هام: يجب تأريض هذه الثلاجة.

#### استبدال المنصهر

إذا كان خط التغذية الرئيسي لهذه الثلاجة مع 13، BS1363A أمبير بالقابس المنصهر، لاستبدال المنصهر في هذا النوع من المكونات استخدم منصهرًا معتمدًا من ASTA لمنصهر BS 1362 وتصرف على النحو التالي:

1. أزل غطاء المنصهر (A) والمنصهر (B).
2. قم بتثبيت منصهر 13 أمبير في غطاء المنصهر.
3. أعد كل من المنصهر وغطائه إلى القابس.

هام: يجب أن يعاد ضبط غطاء المنصهرات عند تغيير المنصهر. إذا فقدت غطاء الصمامات، يجب عدم استخدام القابس حتى يتم تركيب غطاء بديل صحيح. يتم التعرف على صحة الاستبدال من خلال شريحة اللون أو كلمة ملونة مكتوبة على قاعدة القابس. يتوفر في المحلات الكهربائية قطع غيار لغطاء المنصهرات.



A. غطاء منصهر  
B. منصهر

#### لجمهورية أيرلندا (فقط):

يتم استخدام المعلومات الواردة الخاصة ببريطانيا وتطبيقها باستمرار، ولكن هناك نوع ثالث من القوابس والمقابس بمسمارين مع التأريض الجانبي.

#### المقبس/القابس (صالحة لكلا البلدين)

إذا لم يكن القابس مناسبًا لمقبسك يرجى الاتصال بخدمة ما بعد البيع للحصول على مزيد من التعليمات. من فضلك لا تحاول تغيير القابس بنفسك. يحتاج هذا الإجراء إلى أن يقوم به فني مؤهل وفقا لتعليمات الشركة الصانعة وأنظمة السلامة القياسية السارية.

#### درجة الحرارة

تم تصميم هذه الثلاجة للعمل في الأماكن التي تأتي درجة الحرارة فيها داخل النطاقات التالية، وفقًا للفئة المناخية التي تظهر على لوحة التصنيف. قد لا تعمل الثلاجة بشكل صحيح إذا ما تركت لفترة طويلة في درجة حرارة خارج النطاق المحدد.

ملاحظة: من المستحسن ألا تقوم بتثبيت الثلاجة بالقرب من مصدر للحرارة، مثل الفرن أو المبرد.

المكان لدرجة الحرارة (فهرنهايت)	المكان لدرجة الحرارة (مئوية)	الفئة المناخية
من 50 إلى 90	من 10 إلى 32	مسلسل
من 61 إلى 90	من 16 إلى 32	رقم
من 61 إلى 100	من 16 إلى 38	ST
من 61 إلى 110	من 16 إلى 43	T

## إزالة أبواب الثلاجة واستبدالها

**ملاحظة:** قم بقياس عرض فتحة الباب الخاص بك لمعرفة ما إذا كنت تحتاج إلى إزالة أبواب الثلاجة لنقل الثلاجة إلى منزلك أم لا. إذا كانت إزالة الباب ضرورية، فراجع التعليمات التالية.  
**هام:** إذا تم تركيب الثلاجة مسبقًا وكنت تقوم بنقلها من المنزل، فقم بإيقاف تشغيل وحدة التحكم في الثلاجة قبل البدء في إزالة الأبواب. افصل قابس الثلاجة أو افصل الطاقة الكهربائية. أزل الأغذية والباب القابل للتعديل أو مسامير المرافق من الأبواب.  
 قم بجمع الأدوات المطلوبة وقراءة جميع التعليمات قبل إزالة الأبواب.  
**العدة اللازمة:** مفتاح مقبس 6 مم، مفتاح مقبس 5 مم ومفك فيليبس #2.



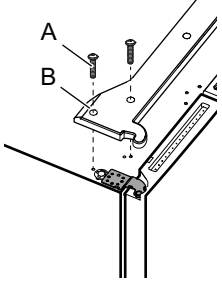
### تحذير ⚠

خطر الصدمة الكهربائية

افصل التيار الكهربائي قبل إزالة الأبواب.

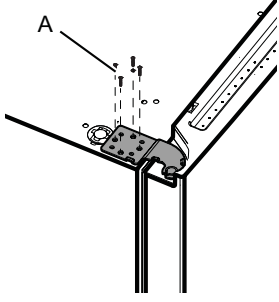
يمكن أن يؤدي عدم القيام بذلك إلى الوفاة أو الصدمة الكهربائية.

#### غطاء المفصلة اليسرى العلوية



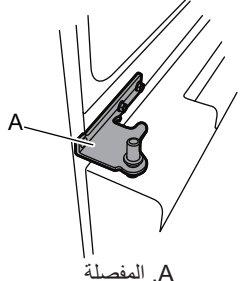
A. براغي غطاء المفصلة العلوية  
B. غطاء المفصلة العلوية

#### المفصلة اليسرى العلوية



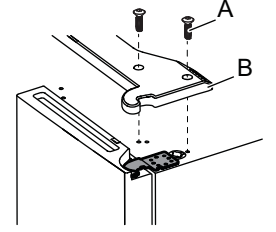
A. براغي المقبس 5 مم

#### المفصلة اليسرى الوسطى



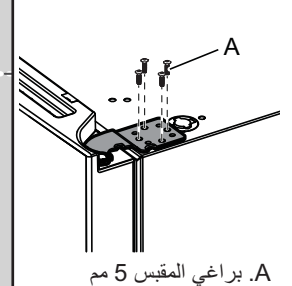
A. المفصلة

#### غطاء المفصلة اليمنى العلوية



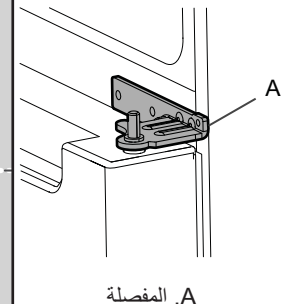
A. براغي غطاء المفصلة العلوية  
B. غطاء المفصلة العلوية

#### المفصلة اليمنى العلوية



A. براغي المقبس 5 مم

#### المفصلة اليمنى الوسطى

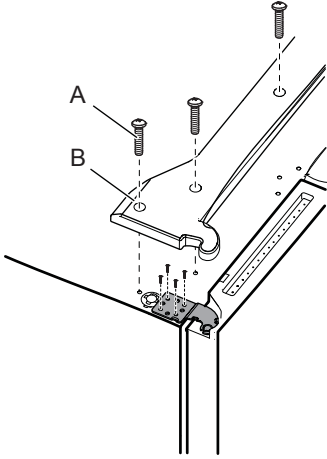


A. المفصلة

## إزالة الباب الأيسر

هام: تمر أسلاك واجهة المستخدم من خلال مفصلة الباب الأيسر، لذا يجب فصلها قبل إزالة الباب.

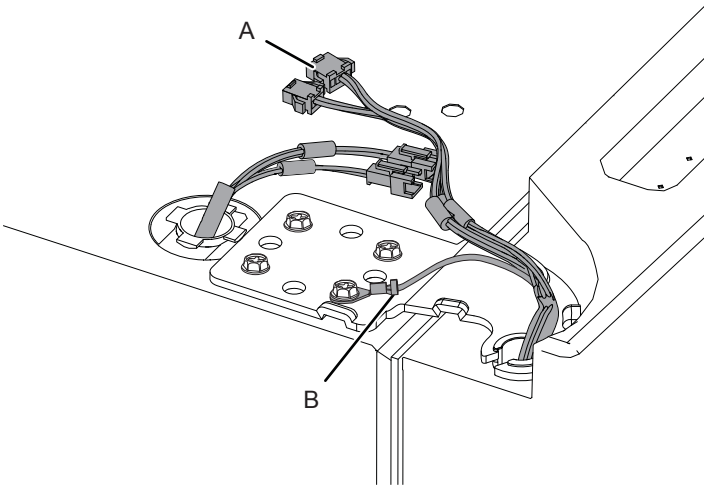
1. باستخدام مفك فيليبس، قم بإزالة الغطاء من المفصلة العلوية.



A. برغي غطاء المفصل العلوي  
B. غطاء المفصل العلوي

2. أزل قوابس توصيل الأسلاك الموجودة أعلى مفصلة الباب.

■ قم بإمساك كل جانب من قوابس التوصيل. باستخدام الإبهام الأيسر، اضغط لأسفل لتحرير المزلاج وسحب أجزاء من القوابس كل على حدة.



A. قابس أسلاك  
B. موصل أرضي (تأريض)

## تحذير

وزن زائد خطير

استخدم شخصين أو أكثر لرفع باب الثلاجة.  
يمكن أن يؤدي عدم القيام بذلك إلى إصابة في الظهر أو أية إصابة أخرى.

أزل أبواب الثلاجة

## تحذير

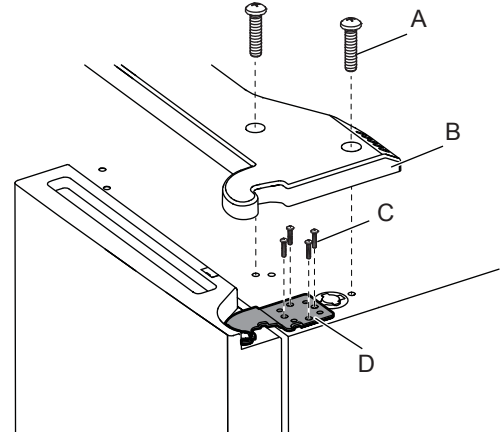


خطر الصدمة الكهربائية

افصل التيار الكهربائي قبل إزالة الأبواب.  
يمكن أن يؤدي عدم القيام بذلك إلى الوفاة أو الصدمة الكهربائية.

إزالة الباب الأيمن

1. افصل قابس الثلاجة أو افصل الطاقة الكهربائية.
2. أبق أبواب الثلاجة مغلقة حتي تكون على استعداد لرفعها وفصلها من كابينة الثلاجة.  
**ملاحظة:** قدم دعماً إضافياً للباب حين يتم نقل المفصلات. لا تعتمد على أطواق العزل المغناطيسية لسند الباب في مكانه بينما تعمل.
3. باستخدام مفك فيليبس، قم بإزالة الغطاء من المفصلة العلوية.
4. باستخدام مفتاح مقبس 5 مم، أزل البراغي الأربعة من المفصلة العلوية، وضعهم جانبا.



A. برغي غطاء المفصل العلوي  
B. غطاء المفصل العلوي

C. برغي المقبس 5 مم  
D. المفصل العلوي

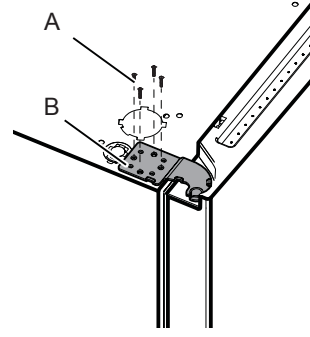
5. ارفع باب الثلاجة من مسمار المفصل الأوسط. ستظهر المفصلة العلوية مع الباب.

3. باستخدام مفتاح مقبس 5 مم، أزل البراغي الداخلية الأربعة من المفصلة العلوية، وضعهم جانباً.

## أزل واستبدل باب المجمد/باب فلكسي فريز

1. أبق أبواب المجمد مغلقة حتي تكون على استعداد لرفعها وفصلها من الكابينة.  
ملاحظة: قدم دعماً إضافياً لباب المجمد حين يتم نقل المفصلات. لا تعتمد على أطواق العزل المغناطيسية لسند الباب في مكانه بينما تعمل.

■ استخدم مفك فيليبس #2 ومفتاح مقبس 6 مم لإزالة المفصلة من الكابينة.

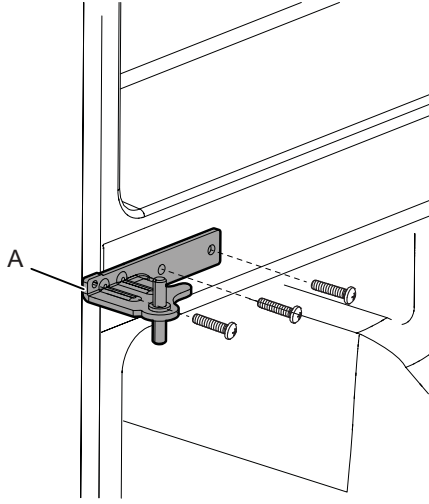


A. براغي المقبس 5 مم  
B. المفصلة العلوية

ملاحظة: قدم دعماً إضافياً للباب حين يتم نقل المفصلات. لا تعتمد على أطواق العزل المغناطيسية لسند الباب في مكانه بينما تعمل.

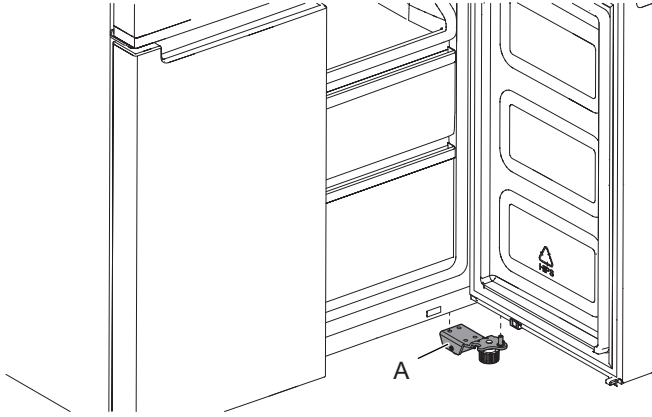
4. ارفع باب الثلاجة من مسامير المفصلة السفلية. ستظهر المفصلة العلوية مع الباب.  
ملاحظة: قد لا يكون من الضروري إزالة المفصلات السفلية ومجموعات مكابح القدم لنقل الثلاجة عبر المدخل.

■ فقط إذا تطلب الأمر، استخدم مفتاح مقبس 6 مم ومفك فيليبس #2 لإزالة المفصلة الوسطى.



A. المفصلة الوسطى

■ ارفع باب المجمد من مسامير المفصلة السفلية.



A. المفصلة السفلية

### استبدال باب الثلاجة الأيمن

1. اخفض الباب الأيمن إلى مسامير المفصلة الأوسط.
2. أدخل مسامير مفصلة الجزء العلوي في الثقوب المفتوحة في أعلى باب الثلاجة.
3. باستخدام براغي مقبس 5 مم، اربط المفصلة على الكابينة. لا تقم بتشديد البراغي تماماً.

### استبدال باب الثلاجة الأيسر

1. اخفض الباب الأيسر إلى مسامير المفصلة الأوسط.
2. باستخدام براغي مقبس 5 مم، اربط المفصلة على الكابينة. لا تقم بتشديد البراغي تماماً.
3. أعد توصيل السلك الكهربائي.  
■ ادفع مقطعي قابس التوصيل معاً.  
■ أعد توصيل سلك التأريض ببراعي المفصلة.

### الخطوات النهائية

1. أحكم تماماً ربط البراغي الثمانية للمقبس 5مم.
2. أعد وضع غطائي المفصلة العلويين.

## تحذير ⚠️



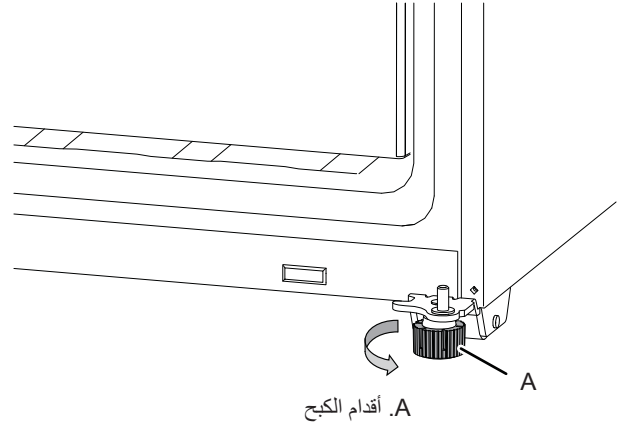
## خطر الصدمة الكهربائية

- وصلة بمخرج مؤرض (متصل بالأرض).
- لا تقم بإزالة فتحة الأرض.
- لا تستخدم أي مهايئ.
- لا تستخدم سلك إطالة.
- يمكن أن يؤدي عدم اتباع هذه التعليمات إلى الموت أو الحريق، أو الصدمة الكهربائية.

1. قم بالتوصيل بمقبس مؤرض (متصل بالأرض).
2. أرجع جميع الأجزاء القابلة للإزالة والمواد الغذائية إلى الأدرج.

## ضبط مستوى الثلاجة

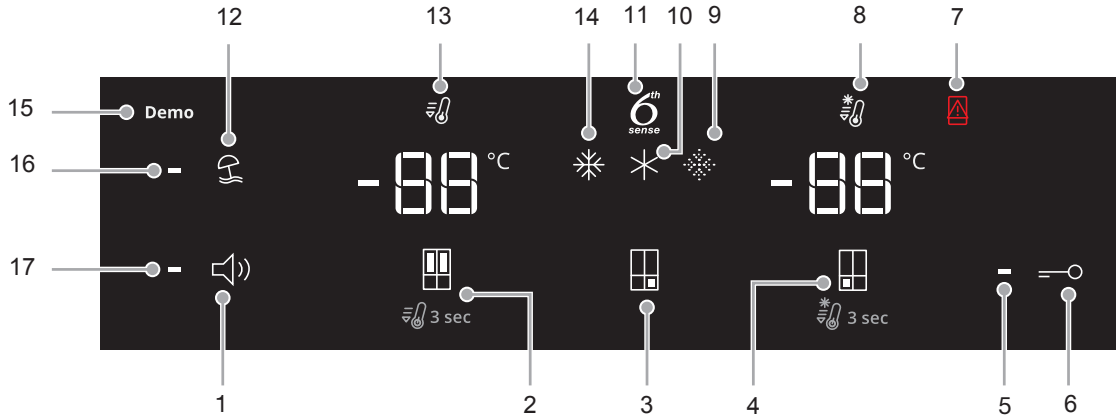
1. انقل الثلاجة لموقعها النهائي.
2. باستخدام يدك، أدر أقدام الكبح. أدرهم في عكس اتجاه عقارب الساعة حتى يتم إزاحة البكرات من على الأرضية وتكون كل من أقدام الفرامل في وضع مريح على الأرضية. وهذا يحافظ على الثلاجة من التدرج إلى الأمام عند فتح الأبواب.



3. هام: إذا كنت بحاجة إلى إجراء المزيد من التعديلات فيما يتعلق بأقدام الفرامل، يجب أن تلتف كل قدم من أقدام الفرامل بنفس القدر للحفاظ على مستوى الثلاجة. استخدام شاقولاً للتأكد من استقامة الثلاجة من جانب إلى جانب ومن الأمام إلى الخلف.

## استخدام عناصر التحكم

توجد عناصر التحكم التي تعمل باللمس على الباب الأيسر للثلاجة. تشمل لوحة التحكم بيانات عن مختلف الأزرار والمؤشرات. يعرض مؤشرا درجة حرارة الثلاجة والمجمد آخر نقطة حرارة تم ضبطها.



10. مؤشر التجميد المتوسط (فقط مع WQ9 B1L, 6WM591NIHAS و WQ70900SXX)
11. مؤشر الحاسة السادسة
12. مؤشر التجميد الشديد (فقط مع WQ9 B1L, 6WM591NIHAS و WQ70900SXX)
13. مؤشر التجميد السريع
14. زر وضع العطله
15. مؤشر وضع العرض (فقط مع WQ9 B1L, 6WM591NIHAS و WQ70900SXX)
16. مؤشر وضع العطله
17. مؤشر الصوت

1. مفتاح التشغيل/الإيقاف الصوتي
2. زر حرارة الثلاجة (اضغط عليه لمدة 3 ثوان للتبريد السريع)
3. زر التعيين المسبق لحرارة فليكس فريز (فقط مع WQ9 B1L, 6WM591NIHAS و WQ70900SXX)
4. زر حرارة المجمد (اضغط عليه لمدة 3 ثوان للتجميد السريع)
5. مؤشر القفل
6. زر القفل
7. مؤشر الباب المفتوح
8. مؤشر التجميد السريع
9. مؤشر التجميد الخفيف (فقط مع WQ9 B1L, 6WM591NIHAS و WQ70900SXX)

سوف تنطفئ لوحة التحكم أوتوماتيكيا بعد دقيقة واحدة من الخمول. لتشغيل لوحة التحكم، اضغط على أي مفتاح.

### 6 قفل الطزاجة بالحاسة السادسة والتحكم في التجميد

يضمن مستشعر قفل الطزاجة بالحاسة السادسة التحكم الدقيق والمستمر في درجة الحرارة لحفظ الطعام الطازج لفترة أطول وبطريقة طبيعية أكثر. بمجرد الكشف عن اختلاف في درجة الحرارة، يقوم المستشعر بتنشيط الضاغط الذي يستعيد درجة الحرارة الأصلية. إن مستشعر التجميد بالحاسة السادسة يقلل من التذبذب في درجات الحرارة في المجمد بفضل النظام المبتكر لإدارة درجة الحرارة. تتخفض حروق الفريزر للحفاظ على جودة الأغذية ولونها.

### إعدادات فليكسي فريز (فقط مع WQ9 B1L, 6WM591NIHAS و WQ70900SXX)

تسمح وظيفة فليكسي فريز بتبديل درجة الحرارة المعينة مسبقا لحجيرة فليكسي فريز.

الرمز	الوظيفة	درجة الحرارة
☼	المجمد التقليدي	-18°C
✧	المجمد المعتدل	-12°C
☼	المجمد الخفيف	-7°C

\* تنشيط/تعطيل الإعداد الأبرد (20- درجة مئوية)، اضغط على زر الحرارة المعينة مسبقا لفليكسي فريز لمدة 3 ثوان.

### ضبط إعدادات تعدد درجات الحرارة

- مجمد تقليدي (-18° درجة مئوية): الغذاء مجمد بالفعل والغذاء الطازج (بحد أقصى 12 شهر)
- مجمد معتدل (-12° درجة مئوية): غذاء مجمد بالفعل (بحد أقصى 1 شهر)
- مجمد خفيف (-7° درجة مئوية): غذاء مجمد بالفعل (بحد أقصى 1 أسبوع)

### 88 - عرض وضبط نقاط تعيين درجة الحرارة

#### ضبط درجة حرارة الثلاجة وحجيرة المجمد:

لراحتك، فإن عناصر التحكم في الثلاجة والفريزر مضبوطة مسبقا في المصنع. عندما تقوم بتثبيت الثلاجة لأول مرة، تأكد من أن ضوابط التحكم لا تزال مهياة على نقاط الإعداد الموصى بها. يوصي المصنع بأن تكون نقاط الضبط 3 درجات مئوية للثلاجة و 18- درجة مئوية للفريزر. إن الضغط على زر درجة حرارة الثلاجة أو المجمد سوف يبديل نقاط تعيين الحرارة بالدرجة المئوية (C°).

هام:

- انتظر 24 ساعة قبل وضع الطعام في الثلاجة. إذا قمت بإضافة المواد الغذائية قبل أن تبرد الثلاجة تماما، فقد يفسد طعامك.
- ملاحظة: إن ضبط نقاط الإعداد على قيم أبرد من القيم الموصى بها لن يبرد الكابينة أسرع بأي صورة.
- إذا كانت درجة الحرارة دافئة جدا أو باردة جدا في الثلاجة أو الفريزر، تحقق أولاً من فتحات الهواء للتأكد من أنها ليست مسدودة قبل ضبط عناصر التحكم.
- يجب أن تكون الإعدادات الموصى بها صحيحة بالنسبة للاستخدام العادي المنزلي. يتم تعيين الضوابط بشكل صحيح عندما يصبح الحليب أو العصير بارداً إلى الدرجة التي تريدها وإلى أن يثبت الأيس كريم.
- ملاحظة: يمكن أن تكون مناطق مثل المراب، أو الطابق السفلي، أو الشرفة أعلى في نسبة الرطوبة أو الحرارة الشديدة. قد تحتاج إلى ضبط درجة الحرارة بعيداً عن الإعدادات الموصى بها لاستيعاب هذه الشروط.
- انتظر على الأقل مدة 24 ساعة بين عمليات الضبط. قم بإعادة فحص درجات الحرارة قبل إجراء تعديلات أخرى.

عند ضبط نقاط تعيين درجة الحرارة، استخدم الجدول التالي كدليل:

الحالة	ضبط درجة الحرارة
ثلاجة باردة جدًا	إعداد الثلاجة درجة واحدة أعلى
الثلاجة دافئة أكثر من اللازم	إعداد الثلاجة درجة واحدة أقل
الفریزر بارد جدًا	إعداد الفریزر درجة واحدة أعلى
الفریزر دافئ أكثر من اللازم/ الثلج قليل أكثر من اللازم	إعداد الفریزر درجة واحدة أقل

### تبريد سريع

إن خاصية التبريد السريع تساعد في فترات الاستخدام الكثيف للثلاجة، أو أحمال البقالة الكاملة، أو درجات حرارة الغرف الدافئة مؤقتًا.

- لتشغيل وظيفة التبريد السريع، قم بالضغط المستمر على زر حرارة الثلاجة [ ] لمدة 3 ثوان. عند تنشيط الوظيفة، سوف تضيء أيقونة التبريد السريع. سنظل خاصية التبريد السريع نشطة لمدة 2 ساعة ما لم يتم إيقاف تشغيلها يدويًا.
- لإيقاف تشغيل وظيفة التبريد السريع يدويًا، قم بالضغط المستمر على زر حرارة الثلاجة [ ] لمدة 3 ثوان. سوف تنطفئ أيقونة التبريد السريع عندما لا تنشط الوظيفة.
- سيؤدي ضبط درجة حرارة الثلاجة إلى إيقاف تشغيل خاصية التبريد السريع تلقائيًا.

### التجميد السريع

كمية الطعام الطازج (بالكيلو جرام) التي يمكن تجميدها خلال 24 ساعة مبنية على لوحة تقنين الجهاز.

- اضغط على زر درجة حرارة المجمد [ ] لمدة 3 ثوان (حتى يضيء مؤشر التجميد السريع)، بوقت مدته 24 ساعة قبل وضع الغذاء الطازج في المجمد. بعد وضع الطعام الطازج في المجمد، تكفي مدة 24 ساعة عموماً لوظيفة التجميد السريع؛ بعد 50 ساعة سوف تعطل وظيفة التجميد السريع أو توماتيكياً.
- لإيقاف تشغيل وظيفة التجميد السريع يدويًا، قم بالضغط المستمر على زر حرارة المجمد [ ] لمدة 3 ثوان. سنطفئ أيقونة التجميد السريع.
- سيؤدي ضبط درجة حرارة المجمد إلى إيقاف تشغيل خاصية التجميد السريع تلقائيًا.

### وضع العطله

هذا الوضع مصمم لتجنيب جهازك إهدار الطاقة أثناء الأوقات التي لا تستخدمه فيها استخداماً منتظماً (أثناء العطلات على سبيل المثال).

باختيار هذه الوظيفة سوف يتم ضبط درجة حرارة حجيرة الثلاجة (RC) أوتوماتيكياً على نقطة الإعداد الألفاً.

- لاستخدام وضع العطله، اضغط على زر الوضع حتى يضيء مؤشر وضع العطله على الشاشة.
  - للخروج من وضع العطله، اضغط على زر الوضع حتى تنطفئ أيقونة وضع العطله على الشاشة.
  - سيؤدي ضبط درجة حرارة الثلاجة إلى إيقاف تشغيل خاصية وضع العطله تلقائيًا.
- هام: في حالة اختيار هذا الوضع فإن جميع الأغذية والمشروبات يجب أن تزال من حجيرة الثلاجة.

### تشغيل/ إيقاف الصوت

اضغط على الزر لتنشيط/لتعطيل التعليقات الصوتية.

### قفل المفتاح

- اضغط مع الاستمرار على زر القفل لمدة 3 ثوانٍ لتنشيط وظيفة القفل.
  - لتعطيل القفل، اضغط مع الاستمرار على زر القفل لمدة 3 ثوان.
- سوف تتجاهل وظيفة القفل جميع التفاعلات مع لوحة التحكم حتى يقوم المستخدم بفتح قفل اللوحة. هذه الوظيفة مصممة لتجنب التغيير العرضي للإعدادات.

### وضع العرض (فقط مع WQ9 B1L, 6WM591NIHAS و WQ70900SXX)

يتم استخدام هذا الوضع عندما تكون الثلاجة على الشاشة في متجر بيع بالتجزئة أو إذا كنت ترغب في إيقاف التبريد وإلغاء تنشيط جميع الوظائف الأخرى (باستثناء الإضاءة الداخلية).

وضع العرض يمكن استخدامه عند الذهاب في عطلة طويلة. راجع قسم "العطلات ورعاية الانتقال" للحصول على الخطوات المناسبة عند ترك الثلاجة في هذا الوضع لفترات طويلة من الوقت.

- إذا قمت بتشغيل وضع العرض، سيضيء رمز "Demo" على الشاشة.
- ادخل أو اخرج من وضع العرض عن طريق الضغط مع الاستمرار على زر "Sound On" (تشغيل الصوت) أو "Off" (إيقاف تشغيل الصوت) وزر القفل في الوقت نفسه لمدة 3 ثوان.

### مميزات إضافية

#### إنذار فتح الباب

- تُصدر وظيفة إنذار فتح الباب إنذاراً، وميضاً برمز "Door Open" (الباب مفتوح) عند فتح أي من الأبواب الأربعة لمدة دقيقتين أو أكثر.
  - سينكرر التنبيه كل 5 دقائق. أغلق جميع الأبواب لإيقاف تشغيله.
- ملاحظة:** لکنم صوت التنبيه الصوتي مع إبقاء الأبواب مفتوحة، مثل أثناء تنظيف داخل الثلاجة، المس أي زر في لوحة التحكم. سيتم إيقاف تشغيل صوت التنبيه مؤقتاً، ولكن سيتم عرض رمز الباب المفتوح في لوحة التحكم.

### إضاءة الثلاجة

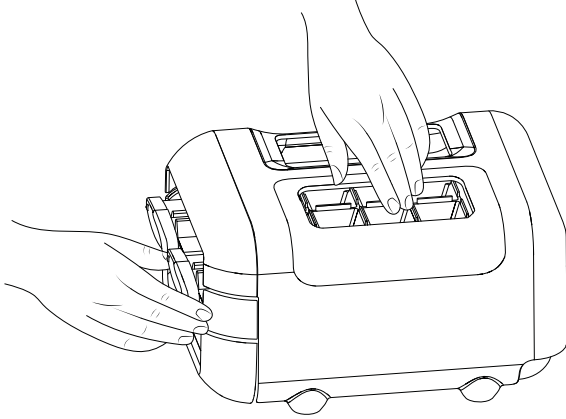
تحتوي الثلاجة على ضوء داخلي يتم تشغيله في أي وقت يفتح فيه الباب.

**ملاحظة:** الضوء هو لمبة LED لا تحتاج إلى استبدالها. إذا لم تضيء لمبة LED عند فتح الباب، اتصل بخدمة استبدال المصباح.

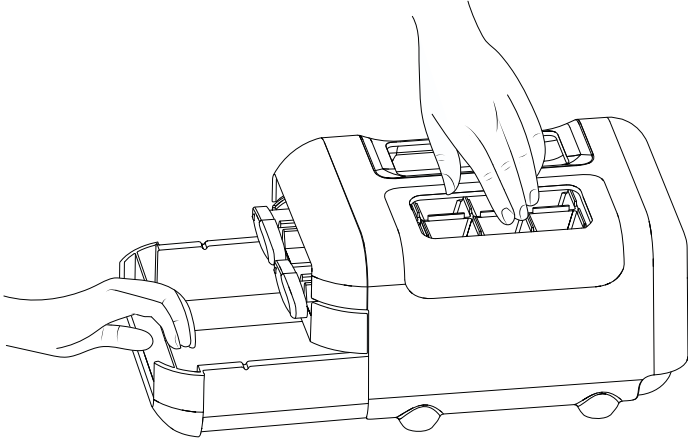
# استخدام الثلاجة

## صانع الثلج

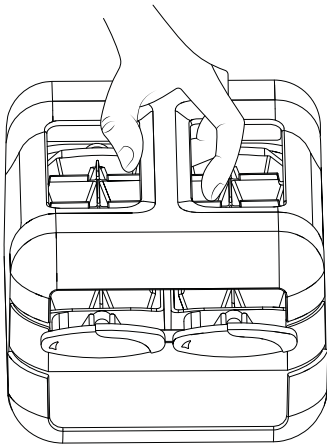
- لصنع الثلج، املاً صينية الثلج بالماء النقي، وضع صانع الثلج اليدوي في الرف العلوي من المجمد. اترك الوقت اللازم لتجمد الثلج، وبمجرد أن يكون جاهزاً، أدر المقابض في اتجاه عقارب الساعة لقفص مكعبات الثلج في وعاء الثلج.



- ارفع وعاء الثلج قليلاً، ثم اسحبه للخارج للوصول إلى مكعبات الثلج.



يمكن أخذ مجموعة صانع الثلج اليدوي خارج المجمد عندما لا يكون الثلج مطلوباً لتوفير المزيد من المساحة داخل حجيرة المجمد.



## تخزين المواد الغذائية

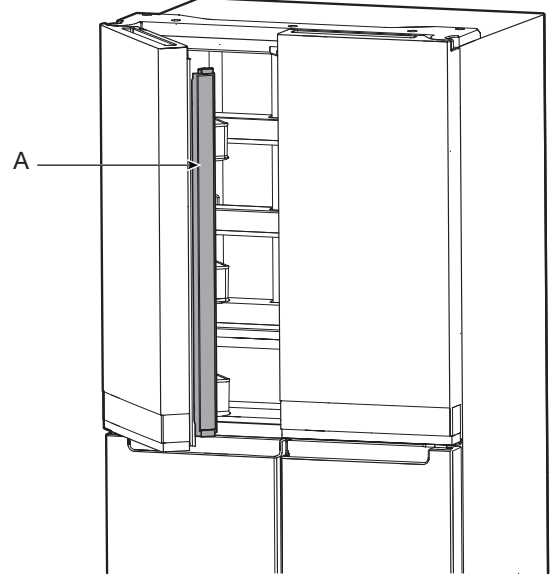
### تخزين البيض

يُنصح بتخزين البيض في درجة حرارة ثابتة للحفاظ على طزاجته، لذلك من الأفضل الإبقاء عليه في الثلاجة على الرف الأوسط.

## فتح وإغلاق الأبواب

هناك نوعان من أبواب أقسام الثلاجة. الأبواب يمكن فتحها وإغلاقها إما بشكل منفصل أو معاً. هناك عازل عمودي معلق على باب الثلاجة الأيسر.

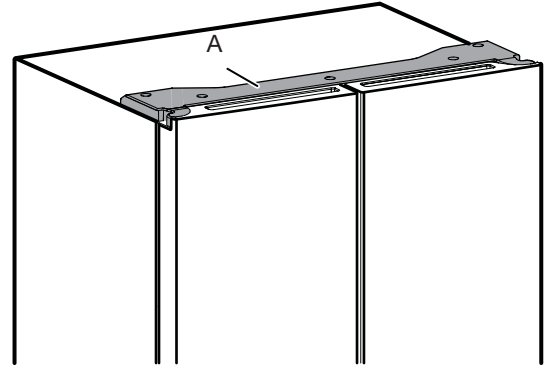
- عندما يتم فتح الباب من الجهة اليسرى، يتنحى العازل أوتوماتيكياً إلى الداخل لكي يفسح الطريق للفتح.
- عندما يتم إغلاق الباب، يشكل العازل المعلق عزلاً محكماً بين البابين.



A. عازل معلق

يقع مفتاح باب حجيرة الثلاجة أعلى أغطية المفصلة اليسرى واليمنى.

- بالنسبة إلى المجمد والمنطقة متعددة الحرارة، يوجد مفتاح الباب في العماد السفلي.
  - يستخدم مفتاح الباب المغناطيس لاستشعار فتح/غلق الباب.
  - تأكد من عدم وجود مغناطيس أو أجهزة إلكترونية (مكبر الصوت، Coolvox®، إلخ) ضمن 7.62 سم من غطاء المفصلة.
- ملاحظة: لن يتم تشغيل الضوء إذا لم يتم اكتشاف فتحة الباب.



A. غطاء مفصل



# الرفوف والصناديق والأدراج

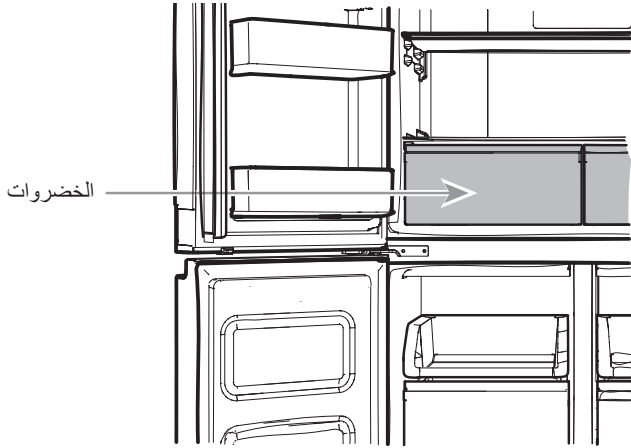
## الرفوف وإطارات الرفوف

الرفوف في ثلاجتك قابلة للتعديل لتلائم احتياجاتك الفردية المتعلقة بالتخزين. إن تخزين الأطعمة المتشابهة سوياً في ثلاجتك وتعديل الرفوف لتلائم الارتفاعات المختلفة لهذه الأطعمة سوف يسهل العثور على الأطعمة التي تريدها. وهذا سوف يخفض بالفعل مقدار الوقت الذي يظل فيه باب الثلاجة مفتوحاً، مما يوفر في الطاقة.

### إزالة واستبدال الرفوف:

1. افتح الباب الأيمن على آخره، واترك الباب الأيسر مفتوحاً على آخره، وارفعه لفتحه بـ 180 درجة.
2. قم بإزالة الرف الأوسط أو الرف العلوي عن طريق رفعه وإخراجه من دعائم الرف. بعد ذلك اسحب الرف للأمام وإمالة لأسفل إلى الوضع الرأسي. قم بإدارة الرف بزواوية واسحبه من الثلاجة.
3. قم بإزالة الرف السفلي عن طريق رفعه وإخراجه من دعائم الرف. بعد ذلك اسحب الرف للأمام وإمالة لأعلى إلى الوضع الرأسي. قم بإدارة الرف بزواوية واسحبه من الثلاجة.
4. استبدل الرفوف الوسطى والعلوية عن طريق وضع الرف في الثلاجة بزواوية مع مواجهة الرف لأسفل. قم برفع الجزء الأمامي من الرف لأعلى وحركه للداخل حتى يسقط الجزء الخلفي من الرف في دعائم الرف. اخفض الجزء الأمامي من الرف وتأكد من أن الرف في مكانه.
5. استبدل الرف السفلي عن طريق وضع الرف في الثلاجة بزواوية مع مواجهة الرف لأعلى. حرّك الجزء الأمامي من الرف لأسفل واجعله ينزلق للداخل حتى يسقط الجزء الخلفي من الرف في دعائم الرف. اخفض الجزء الأمامي من الرف وتأكد من أن الرف في مكانه.

## أدراج الخضروات



### إزالة واستبدال أدراج الخضروات:

1. قم بامسك مقبض درج الخضروات، وأزلج الدرج بشكل مستقيم للخارج حتى يتوقف. ارفع درج الخضروات من على مسند التوجيه السفلي.
2. قم باستبدال الدرج/وضعه مرة أخرى عن طريق وضعه على مسند توجيه الدرج السفلي، وادفعه حتى يستقر الدرج في مكانه.

معلومات هامة يجب عليك معرفتها عن الرفوف والجاذبة والإضاءة

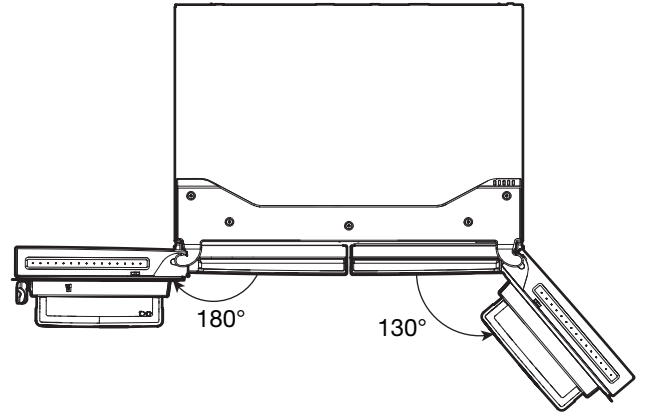
الجاذبة أو الأضواء الداخلية بقاء دافئ مما توفّر من برودة. قم بتعديل الرفوف والأضواء الداخلية في درجة الحرارة أو التثبيت من الارتداد. الرفوف السفلى بـ 180 درجة إلى قاع الثلاجة الصغيرة في حيز الرف. وهذا الجاذبة والأضواء تثبت. اسدق كل الأجزاء عن إزالتها للرفوف.

## ضبط ارتفاع الرف

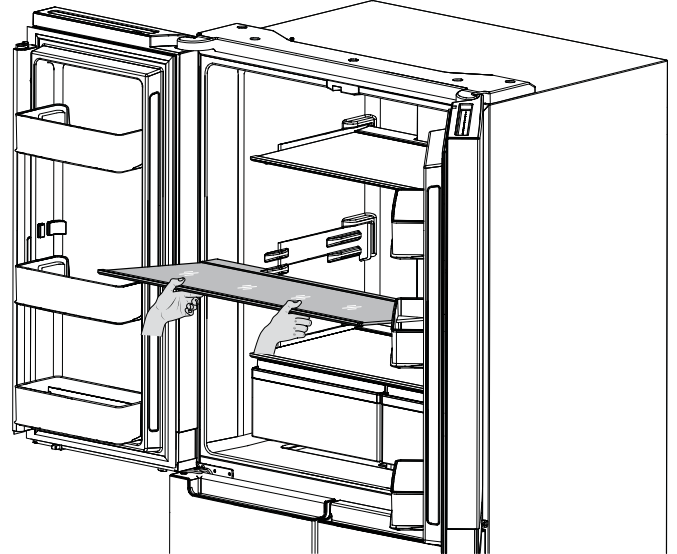
يمكن تعديل ارتفاع الرف بتغيير موقعه من الدعامة السفلية إلى الدعامة العلوية والعكس.

■ افتح الباب الجانبي الأيمن على آخره.

■ افتح الباب الأيسر على آخره، ثم ارفعه لفتحه بـ 180 درجة.



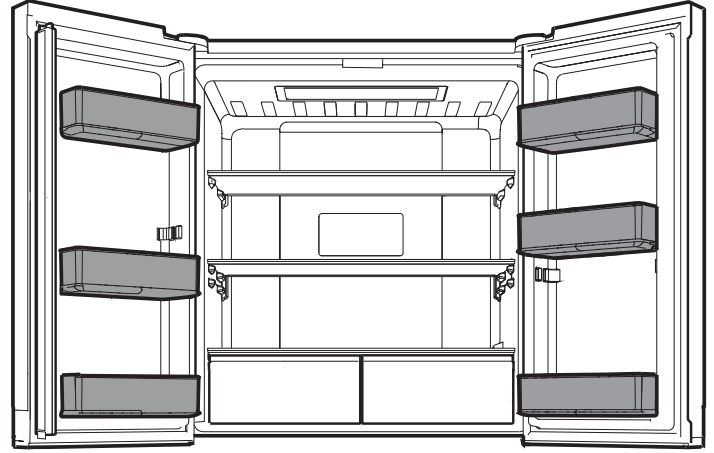
■ خذ الرف خارج الثلاجة، وضعه في موضع التركيب المطلوب.



■ تأكد من استقرار الرف بشكل صحيح على حوامله.

## شرفات الثلاجة

الشرفة في ثلاجتك قابلة للتعديل لتلائم احتياجاتك الفردية المتعلقة بالتخزين.



## رف المجمد (فقط في WQ9 E1L و WQ9 B1L)

لزيادة السعة الاستيعابية للفریزر لأقصى حد، يمكنك إزالة الدرج الأوسط لكشف رف الفریزر الذي يوجد أسفل منه. يمكنك عندها تخزين الدرج العلوي وتحميل الطعام مباشرةً على الرف.

## المرجع الصوتي

### تخصيص النغمات

اسم النغمة	أمثلة الاستخدام
توصيل الطاقة	تشغيل نظام التبريد في كل مرة يتم تشغيل المنتج فيها.
الضغط على الزر	ضغط المستخدم على زر صالح.
غير صالح (خطأ)	ضغط المستخدم على زررين أو أكثر غير صالحين في الوقت نفسه. توقف العد التنازلي لأزرار الضغط مع الاستمرار.
تعشيق	قبول المدخلات في أي وضع.
فصل التعشيق	قبول الخروج من أي وضع.
إنذار	إنذار الباب المفتوح.

هذا الجدول ما هو إلا مرجع سريع فقط. راجع الأقسام ذات الصلة لمعرفة التفاصيل. في حالة الاختلاف، فإن تفاصيل القسم هي الأرجح.

## الملحقات

لطلب الملحقات، اتصل بالبائع الذي اشتريته منه الثلاجة.

## الدعم أو الخدمة

قبل استدعاء فريق الدعم أو الصيانة، يرجى مراجعة باب "استكشاف الأخطاء وإصلاحها". قد يوفر لك ذلك تكلفة مكالمة الخدمة. إذا كنت لا تزال بحاجة إلى مساعدة، اتبع الإرشادات أدناه.

### إذا كنت بحاجة إلى قطع الغيار

لتحديد موقع قطع غيار المصنع المحدد في منطقتك، اتصل بالتاجر الذي اشتريته منه الثلاجة.

### الضمان

اتصل بالبائع الذي اشتريته منه الثلاجة من أجل طلب معلومات عن الضمان.

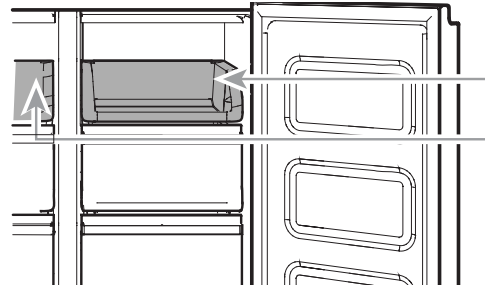
حافظ على هذا الكتاب، وإيصال البيع الخاص بك للرجوع إليهما مستقبلاً. يجب أن تقدم دليلاً على الشراء أو تاريخ التثبيت لخدمة الضمان.

اكتب المعلومات التالية حول الجهاز الخاص بك لمساعدتك في الحصول على المساعدة أو الخدمة إذا احتجت لذلك في أي وقت. سوف تحتاج إلى معرفة رقم الموديل الكامل والرقم التسلسلي. يمكنك العثور على هذه المعلومات عن الطراز والرقم التسلسلي، وتقع على الجدار الداخلي لكابينة الثلاجة.

اسم التاجر \_\_\_\_\_  
رقم مسلسل \_\_\_\_\_  
العنوان \_\_\_\_\_  
رقم الهاتف \_\_\_\_\_  
رقم الموديل \_\_\_\_\_  
تاريخ الشراء \_\_\_\_\_

## حجيرات التخزين في المجمد

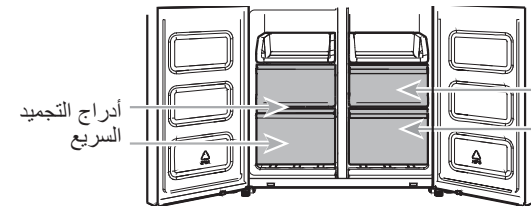
### صينية المجمد



### صينية المجمد

إن صينية المجمد مفيدة في الوصول السهل للمنتجات متكررة الاستخدام أو التجميد أو ببساطة تخزين بقايا الأغذية أو الأشياء الصغيرة.

### أدراج الفریزر



### أدراج التجميد السريع

### حجيرة التجميد السريع

- تسمح لك أدراج المجمد السريع بالتخزين السهل والمريح للأغذية ذات الحجم الكبير.
- يسمح لك خيار التجميد السريع بتخزين أغذيتك المجمدة تخزيناً آمناً وشفافاً.

## حجيرة فليكسي فریزر (فقط مع WQ9 B1L, 6WM591NIHAS و WQ70900SXX)

تسمح لك حجيرة فليكسي فریزر باختيار واحد من المستويات الثلاثة لدرجة حرارة المجمد: -7 درجة مئوية، -12 درجة مئوية و-18 درجة مئوية لتوفير أفضل ظروف التخزين لمختلف أنواع الأغذية.

# العناية بالثلاجة

## التصميم 2 - الفولاذ المقاوم للصدأ

هام:

- استخدم منظفات الفولاذ المقاوم للصدأ وقماش فقط. تلف الطلاء النهائي للفولاذ المقاوم للصدأ الناجم عن الاستخدام غير الصحيح لمنتجات التنظيف أو استخدام منتجات تنظيف غير موصى بها لا تتم تغطيته بالضمان.
- تجنب تعريض الأجهزة المصنوعة من الفولاذ المقاوم للصدأ إلى عوامل كاوية أو كاشطة مثل البيئات ذات الأملاح المرتفعة أو الرطوبة المرتفعة. لا تتم تغطية التلف الناتج عن هذه العوامل بالضمان.

لا تستخدم	استخدم الآتي
<ul style="list-style-type: none"> <li>✗ قماش صنفرة</li> <li>✗ المناشف الورقية أو الجرائد</li> <li>✗ لبادات الألياف</li> </ul>	<ul style="list-style-type: none"> <li>✓ قماش ناعم ونظيف</li> </ul>
<ul style="list-style-type: none"> <li>✗ المساحيق أو السوائل الجالخة</li> <li>✗ الأمونيا</li> <li>✗ المنظفات القائمة على الحمضيات</li> <li>✗ المنظفات الحمضية أو القائمة على الخل</li> <li>✗ منظفات الأفران</li> </ul>	<ul style="list-style-type: none"> <li>✓ ماء دافئ وصابون مع منظف خفيف</li> </ul>
<ul style="list-style-type: none"> <li>✗ المنظف الخاص بالفولاذ المقاوم للصدأ خاص بالأجزاء المصنوعة من الفولاذ المقاوم للصدأ فقط. لا تسمح للمنظف والملمع الخاصين بالفولاذ المقاوم للصدأ بالوصول إلى أي أجزاء بلاستيكية مثل أجزاء الأطراف أو أعطية الموزع أو حشوات الأبواب.</li> </ul>	<ul style="list-style-type: none"> <li>✓ للانساح الشديد، استخدم المنظف الخاص بالفولاذ المقاوم للصدأ والمصمم للأجهزة فقط. لطلب المنظف، اتصل بالبائع الذي اشتريته منه الثلاجة.</li> </ul>

## نمط 3 - فولاذ مقاوم لبقصات الأصابع

هام:

- تجنب تعريض الأجهزة المصنوعة من الفولاذ المقاوم للصدأ إلى عوامل كاوية أو كاشطة مثل البيئات ذات الأملاح المرتفعة أو الرطوبة المرتفعة. لا تتم تغطية التلف الناتج عن هذه العوامل بالضمان.

لا تستخدم	استخدم الآتي
<ul style="list-style-type: none"> <li>✗ قماش صنفرة</li> <li>✗ المناشف الورقية أو الجرائد</li> <li>✗ لبادات الألياف</li> </ul>	<ul style="list-style-type: none"> <li>✓ قماش ناعم ونظيف</li> </ul>
<ul style="list-style-type: none"> <li>✗ المساحيق أو السوائل الجالخة</li> <li>✗ بخاخات النوافذ</li> <li>✗ الأمونيا</li> <li>✗ المنظفات القائمة على الخل</li> <li>✗ منظفات الأفران</li> <li>✗ السوائل سريعة الاشتعال</li> </ul>	<ul style="list-style-type: none"> <li>✓ ماء دافئ وصابون مع منظف خفيف</li> </ul>
<ul style="list-style-type: none"> <li>✗ المنظفات القائمة على الخل</li> <li>✗ منظفات الأفران</li> <li>✗ السوائل سريعة الاشتعال</li> </ul>	<ul style="list-style-type: none"> <li>✓ قماش ناعم ونظيف</li> </ul>

## ملاحظات:

- في حالة حدوث اتصال غير مقصود، نظّف الجزء البلاستيكي بإسفنجة ومنظف معتدل مذاب في ماء دافئ. جفّفه تمامًا بقطعة قماش ناعمة.
- لمجرد أن المنظف سائل، فهذا لا يعني أنه غير كاشط. فالعديد من المنظفات السائلة مصنوعة لتكون لطيفة على القرميد (البلاط) والأسطح الناعمة ولكنها قد تتلف الفولاذ المقاوم للصدأ.
- فحمض الستريك يغيّر لون الفولاذ المقاوم للصدأ بشكل دائم.
- لتجنب إتلاف الطلاء النهائي لثلاجتك المصنوعة من الفولاذ المقاوم للصدأ: لا تسمح لهذه المواد بالبقاء على الطلاء:
  - ✗ الخردل
  - ✗ عصير الطماطم
  - ✗ سوس مارينارا
  - ✗ الصلصات المعتمدة على الليمون
  - ✗ المنتجات المعتمدة على الحمضيات

## التنظيف

تحذير !



خطر الانفجار

استخدم منظفًا غير قابل للاشتعال.

يمكن أن يؤدي عدم القيام بذلك إلى الموت أو إلى الانفجار أو الحريق.

جميع أقسام الثلاجة والمجمد وفلكسي فريزر (فقط في WQ9 B1L, 6WM591NIHAS و WQ70900SXX) تذيب الثلج أوتوماتيكياً. ومع ذلك، قم بتنظيف جميع الأقسام مرة واحدة في الشهر لتجنب تراكم الروائح. امسح البقع على الفور.

## التنظيف الخارجي

الرجاء مراجعة معلومات التنظيف الخارجي الخاصة بالطراز الخاص بك.

## الموديل 1 - الباب الناعم

هام: تلف الطلاء النهائي الناعم الناجم عن الاستخدام غير الصحيح لمنتجات التنظيف أو استخدام منتجات تنظيف غير موصى بها لا تتم تغطيته بالضمان. فالأدوات الحادة أو غير الحادة قد تترك علامات على الطلاء النهائي.

لا تستخدم	استخدم الآتي
<ul style="list-style-type: none"> <li>✗ قماش صنفرة</li> <li>✗ المناشف الورقية أو الجرائد</li> <li>✗ لبادات الألياف</li> </ul>	<ul style="list-style-type: none"> <li>✓ قماش ناعم ونظيف</li> </ul>
<ul style="list-style-type: none"> <li>✗ المساحيق أو السوائل الجالخة</li> <li>✗ بخاخات النوافذ</li> <li>✗ الأمونيا</li> <li>✗ المنظفات القائمة على الخل</li> <li>✗ منظفات الأفران</li> <li>✗ السوائل سريعة الاشتعال</li> </ul>	<ul style="list-style-type: none"> <li>✓ ماء دافئ وصابون مع منظف خفيف</li> </ul>

ملاحظة: تتسبب المناشف الورقية في حدوث خدوش وبهتان الطلاء الشفاف للباب المطلي. لتجنب التلف المحتمل، استخدم فقط قطع قماش ناعمة ونظيفة لتنظيف الأبواب وتلميعها.

1. أفضل قابس الثلجة أو أفضل الطاقة الكهربائية.
2. اغسل يدويًا واشطف وجفف الأجزاء القابلة للفك والأسطح الداخلية تمامًا. استخدم إسفنجًا نظيفًا أو قطع قماش ناعمة ومنظف رقيق في ماء دافئ.
3. ملاحظة: لا تستخدم مواد الصنفرة أو منظفات قاسية مثل بخاخ النوافذ، منظفات الجلي، السوائل سريعة الاشتعال، شمع التنظيف، المنظفات المركزة، مواد التبييض أو المنظفات التي تحتوي على مواد بترولية، الأجزاء البلاستيكية، البطانات الداخلية وبطانات الأبواب أو الحشوات.
3. قم بتوصيل القابس وتوصيل الطاقة الكهربائية.

## تنظيف المكثف

إن هذه الثلجة مزودة بمكثف على القشرة على كلا جانبي الثلجة. من الطبيعي أن تشعر بدفء على الجانبين.

## المصابيح

الأضواء الموجودة في كل من الثلجة وحجيرات الفريزر هي إضاءة LED والتي لا تحتاج للاستبدال. في حالة عدم إضاءة الأضواء عند فتح الباب، اتصل بالبايع الذي اشترت منه ثلاجتك.

## العناية في العطلات والتحرك

## العطلات

إذا اخترت ترك الثلجة تعمل وأنت بعيد :

1. استبدع أية أغذية سريعة التلف وجمد غيرها من الأصناف.
2. إذا كان بثلاجتك صانع ثلج أوتوماتيكي وموصول بخط إمدادات المياه المنزلي أوقف إمدادات المياه إلى الثلجة. يمكن أن تحدث أضرار في الممتلكات إذا لم يتم إيقاف إمدادات المياه.
3. إذا كان لديك صانع ثلج أوتوماتيكي أوقف تشغيله.
4. ■ اضغط مفتاح (O) الخاص بإيقاف عمل بصانع الثلج الموجود في الباب. فرغ حوض الثلج
- إذا اخترت إيقاف تشغيل الثلجة قبل أن تغادر:
- ملاحظة: ضع الثلجة في وضع "العرض" عند ذهابك في عطلة. راجع قسم "استخدام أدوات التحكم".
1. قم بإزالة جميع المواد الغذائية من الثلجة.
2. إذا كان بثلاجتك صانع ثلج أوتوماتيكي:
  - قم بإيقاف إمدادات المياه إلى صانع الثلج يوم واحد على الأقل من الموعد.
  - عند سقوط الحمل الأخير من الثلج، اضغط على المفتاح "إيقاف" (O) لإطفاء الشاشة الموجودة في الجزء العلوي داخل الثلجة، بناءً على الطراز الخاص بك.
3. فرغ حوض الثلج
4. قم بإيقاف عناصر التحكم في درجة الحرارة. راجع قسم "استخدام أدوات التحكم".
5. نظف الثلجة، امسحها وجففها جيدًا.
6. ضع شريطًا من المطاط أو قطع من الخشب أعلى البابين لتبقيهما مفتوحين وتسمح للهواء بالدخول. يوقف هذا الرائحة وتراكم العفن.

## التحرك

عندما تقوم بنقل الثلجة إلى منزل جديد، اتبع الخطوات التالية كي تكون جاهزًا لهذه الخطوة.

1. إذا كان بثلاجتك صانع ثلج أوتوماتيكي:
    - قم بإيقاف إمدادات المياه إلى صانع الثلج يوم واحد على الأقل من الموعد.
    - أفضل خط المياه من الجزء الخلفي من الثلجة.
    - عند سقوط الحمل الأخير من الثلج، اضغط على المفتاح "إيقاف" (O) الموجود إما على صانع الثلج أو لوحة التحكم، تبعًا للطراز الخاص بك.
  2. قم بإزالة جميع المواد الغذائية من الثلجة وعبئ جميع المواد الغذائية المجمدة في عبوة متلجة جافة.
  3. فرغ حوض الثلج
  4. أفضل قابس الثلجة.
  5. نظفها، وامسحها، وجففها تمامًا.
  6. أخرج كل الأجزاء القابلة للإزالة، واربطها معا بحيث لا تغير اتجاهها أو تفرقع أثناء النقل.
  7. اعتمادًا على الطراز، قم برفع الجزء الأمامي من الثلجة حتى تتحرك بسهولة أكبر أو قم برفع براغي التسوية حتى لا تخدش الأرض. راجع الأقسام "تعديل الأبواب" أو "استواء الثلجة وإغلاق الباب".
  8. الصق بشريط لاصق الأبواب بعد غلقها واربط بشريط لاصق الكابل على ظهر الثلجة.
- عندما تصل إلى المنزل الجديد، أعد كل شيء إلى وضعه وراجع "إرشادات التثبيت" للحصول على تعليمات الإعداد. أعد توصيل خط الماء أيضًا، إذا كان بالثلجة صانع الثلج الأوتوماتيكي.

## استكشاف الأخطاء وإصلاحها

جرب الحلول المقترحة فيما يلي أولاً، لتجنب الاتصال بالخدمة الفنية، إن أمكن.

**تحذير** ⚠️



خطر الصدمة الكهربائية

وصلة بمخرج مؤرض (متصل بالأرض).  
لا تقم بإزالة فتحة الأرض.  
لا تستخدم أي مهائى.  
لا تستخدم سلك إطالة.

يمكن أن يؤدي عدم اتباع هذه التعليمات إلى الموت أو الحريق، أو الصدمة الكهربائية.

المشكلة	الأسباب المحتملة	الحل
تشغيل الثلاجة		
لن تعمل الثلاجة.	تحقق من التغذية الكهربائية.	صل كابل الطاقة في المأخذ المؤرض. لا تستخدم كابل إطالة. تأكد من وجود التيار في المقبس. ضع لمبة فيه، وانظر ما إذا كان المقبس يعمل. أعد فتح قاطع الدارة الذي فصل. استبدل أية صمامات تالفة. <b>ملاحظة:</b> إذا استمرت المشاكل، فاتصل بفني كهرباء.
	افحص عناصر التحكم.	تأكد من أن عناصر التحكم تعمل. راجع قسم "استخدام أدوات التحكم".
	تثبيت جديد	اترك 24 ساعة عقب التثبيت حتى تبرد الثلاجة تماماً. <b>ملاحظة:</b> ضبط التحكم في درجة الحرارة على الوضع الأبرد لن يبرد أيًا من القسمين بسرعة أكبر.
	لوحة تحكم الثلاجة في وضع "العرض" (في بعض الطرز).	إذا كانت الثلاجة في وضع "العرض"، وتم إيقاف تشغيل التبريد، سيضيء مؤشر "العرض" على لوحة التحكم. راجع قسم "استخدام أدوات التحكم" للحصول على مزيد من المعلومات.
يبدو أن المحرك يعمل أكثر من اللازم	الضغوط والمراوح عالية الكفاءة	تعمل الثلاجات الأكبر الموفرة في الطاقة لفترات أطول بسرعات أكثر فعالية وأكثر توفيرًا في الطاقة.
	درجة حرارة الحجرة أو درجة الحرارة خارج المنزل مرتفعة.	من الطبيعي أن تعمل الثلاجة لفترة أطول تحت هذه الظروف. للأداء المثالي، ضع الثلاجة داخل المنزل أو في بيئة يتم التحكم في درجة حرارتها. انظر باب "متطلبات الموقع".
	تمت إضافة كمية كبيرة من الأطعمة الدافئة للثلاجة مؤخرًا.	سيتسبب الطعام الدافئ في عمل الثلاجة لمدة أطول حتى يبرد الهواء إلى درجة الحرارة المرغوبة.
	تكرر فتح الباب كثيرًا أو لمدة طويلة أكثر من اللازم.	الهواء الدافئ الذي يدخل الثلاجة يتسبب في عملها لمدة أطول. افتح الباب مرات أقل.
	باب الثلاجة أو درج الفريزر مفتوح.	تأكد من مستوى الثلاجة. راجع قسم "استواء الثلاجة وإغلاق الباب". حافظ على عدم إعاقة الطعام أو الحاويات للباب.
	تم ضبط لوحة تحكم الثلاجة لتكون باردة للغاية.	قم بتعديل لوحة تحكم الثلاجة لإعداد أقل برودة حتى تكون درجة حرارة الثلاجة حسب المرغوب.
	حشوة الباب أو الدرج متسخة أو متمزقة أو متشققة.	نظف الحشوة أو قم بتغييرها. حيث تتسبب التسريبات التي تخرج من مانع تسرب الباب في تشغيل الثلاجة لفترات أطول وذلك للوصول إلى درجة الحرارة المطلوبة.

## استكشاف الأخطاء وإصلاحها

جرب الحلول المقترحة فيما يلي أولاً، لتجنب الاتصال بالخدمة الفنية، إن أمكن.

المشكلة	الأسباب المحتملة	الحل
المصابيح لا تعمل.	الثلاجة الخاصة بك مزودة بإضاءة LED والتي لا تحتاج لاستبدال.	في حالة اتصال الثلاجة بالطاقة الكهربائية ولم تضيء الأضواء عند فتح الباب أو الدرج، اتصل للحصول على الخدمة أو المساعدة.
أجهزة المستخدم الخاصة بالتحكم في الحرارة لا تعمل.	تم فتح الأبواب لأكثر من 10 دقائق.	أغلق الأبواب والدرج لإعادة الضبط وافتحها لاستئناف المهمة التي تحتاج لإضاءة.
واجهة المستخدم الخاصة بالتحكم في الحرارة لا تعمل.	مفتاح الباب لا يستشعر فتح الباب.	تأكد من عدم وجود أجهزة مغناطيسية أو إلكترونية في نطاق 7,62 سم (3 بوصة) من غطاء المفصلة.
واجهة المستخدم الخاصة بالتحكم في الحرارة لا تعمل.	واجهة المستخدم للتحكم في الحرارة دخلت في وضع النوم.	اضغط على أي زر على واجهة المستخدم لإيقاظ الواجهة.
واجهة المستخدم الخاصة بالتحكم في الحرارة لا تعمل.	أزرار واجهة المستخدم للتحكم في درجة الحرارة لا تعمل جيداً.	حاول إعادة توصيل دائرة الطاقة على الثلاجة لإعادة تعيين الأزرار. إذا استمرت المشكلة اطلب الخدمة.
واجهة المستخدم الخاصة بالتحكم في الحرارة لا تستقبل الطاقة.	واجهة المستخدم الخاصة بالتحكم في الحرارة لا تستقبل الطاقة.	افحص ضفيرة الأسلاك على مفصلة الباب.
غير قادر على ضبط الإعداد على واجهة المستخدم للتحكم في درجة الحرارة.	الباب مفتوح، وتم تنشيط إنذار الباب المفتوح.	أغلق الباب.
<b>صنوبر ضجيج غير معتاد.</b>		
للاستماع إلى أصوات الثلاجة العادية، انتقل إلى قسم "تعليمات المنتج/الأسئلة الشائعة" على موقع ويب العلامة التجارية وابحث عن "الأصوات الطبيعية". وفيما يلي سرد لبعض الأصوات العادية مع بعض التفسيرات.		
تبدو الثلاجة عالية الصوت.	ينظم الضاغط الموجود في ثلاجتك الجديدة درجة الحرارة بفاعلية أكثر مع استخدام طاقة أقل والعمل بطريقة أكثر هدوءاً.	بسبب الخفض في ضجيج التشغيل، قد تلاحظ ضجيجاً غير مألوف وهذا أمر عادي.
صوت الضاغط يعمل أطول من المتوقع	الضاغط والمراوح عالية الكفاءة	تعمل الثلاجات الأكبر الموفرة في الطاقة لفترات أطول بسرعات أكثر فاعلية وأكثر توفيراً في الطاقة.
النبض/الطنين	تقوم المراوح/الضاغط بالتكيف لتحسين الأداء أثناء العمل الطبيعي للضاغط.	وهذا أمر طبيعي.
طققة	انكماش/توسيع الجدران الداخلية، وخصوصاً خلال التبريد الأولي	وهذا أمر طبيعي.
صغير/تنقيط	تدفق في الثلاجة أو تدفق للزيت في الضاغط.	وهذا أمر طبيعي.
التذبذب	قد لا تكون الثلاجة ثابتة.	قم بتعديل براغي الاستواء وخفض قدم الاستواء بإحكام تجاه الأرض. راجع قسم "استواء الثلاجة وإغلاق الباب".
قعقة/طرق	حركة أنابيب الماء تجاه خزانة الثلاجة أو حركة العناصر الموضوعة أعلى خزانة الثلاجة.	قم بإبعاد أنبوب الماء الزائد عن خزانة الثلاجة أو اربط الأنبوب الزائد بالخزانة. راجع قسم "توصيل إمداد الماء" أو قم بإزالة العناصر من على الثلاجة.
أزيز	تنقيط الماء على سخان خلال دورة الإذابة.	وهذا أمر طبيعي.
جريان/خريف الماء	يمكن سماعه عندما يذوب الثلج خلال دورة الإذابة ليجري الماء في صينية التصريف.	وهذا أمر طبيعي.

## استكشاف الأخطاء وإصلاحها

جرب الحلول المقترحة فيما يلي أولاً، لتجنب الاتصال بالخدمة الفنية، إن أمكن.

المشكلة	الأسباب المحتملة	الحل
درجة الحرارة والرطوبة		
درجة الحرارة دافئة أكثر من اللازم.	تم تركيب الثلجة للتو.	اترك 24 ساعة عقب التثبيت حتى تبرد الثلجة تماماً.
	لم تتم تهيئة أدوات التحكم على نحو صحيح لتناسب الظروف المحيطة	اضبط عناصر التحكم على برودة أكبر. تحقق من درجة الحرارة في 24 ساعة. راجع قسم "استخدام أدوات التحكم".
	يتم فتح الباب (الأبواب) كثيراً أو لم يتم إغلاقها بشكل كامل. يسمح للهواء الساخن بدخول الثلجة.	قم بتقليل فتح الأبواب إلى الحد الأدنى وحافظ على الأبواب مغلقة تماماً.
	تمت إضافة كمية كبيرة من الطعام مؤخرًا.	انتظر عدة ساعات حتى تعود الثلجة إلى درجة الحرارة العادية.
	وضع العرض يعمل.	أوقف تشغيل وضع العرض. راجع قسم "استخدام أدوات التحكم".
	وضع العطله.	أوقف تشغيل وضع العطله. راجع قسم "استخدام أدوات التحكم".
الحرارة باردة للغاية في الثلجة/درج الثلجة.	فتحة (فتحات) تهوية الثلجة مسدودة.	في حالة انسداد فتحة التهوية الموجودة في منتصف الجزء الخلفي من حجيرة الثلجة بواسطة العناصر الموضوعة مباشرة أمام الفتحة، فتصبح الثلجة باردة للغاية. أبعاد الأشياء عن فتحة التهوية.
	لم تتم تهيئة أدوات التحكم على نحو صحيح لتناسب الظروف المحيطة	اضبط عناصر التحكم على دفء أكبر. تحقق من درجة الحرارة في 24 ساعة. راجع قسم "استخدام أدوات التحكم".
	صندوق تخزين الثلج ليس في الموضع الصحيح.	راجع قسم "صانع الثلج ووعاء تخزين الثلج".
الحرارة باردة للغاية في درج المخزن المتحكم في حرارته.	لم يتم ضبط التحكم بشكل صحيح للعناصر المخزنة في الدرج.	اضبط إعداد درجة الحرارة. راجع "استخدام أدوات التحكم" في قسم "استخدام الثلجة".
هناك تراكم داخلي للرطوبة.	الغرفة رطبة.	تساهم البيئة الرطبة في تراكم الرطوبة.
ملاحظة: بعض تراكم الرطوبة طبيعي.	يتم فتح الباب (الأبواب) كثيراً أو لم يتم إغلاقها بشكل كامل. يسمح للهواء الرطب بدخول الثلجة.	قم بتقليل فتح الأبواب إلى الحد الأدنى، وحافظ على الأبواب مغلقة تماماً.
	الباب (الأبواب) معرقل وظل مفتوحًا.	حرك علب الطعام بعيدًا عن الباب.
	هناك حوض أو رف في الطريق.	ادفع الحوض أو الرف مرة أخرى إلى الموضع الصحيح.
	تخزين السوائل في حاويات مفتوحة.	يضيف هذا رطوبة إلى الثلجة من الداخل. احتفظ بكل الحاويات مغطاة بإحكام.
يوجد تراكم للصقيع/الثلج في حجيرة الفريزر.	الباب يُفتح لمرات كثيرة أو يُترك مفتوحًا.	قِل عدد مرات فتح الباب لأقصى حد وأغلق الدرج بالكامل بعد الاستخدام.
	عازل الباب ضعيف.	تأكد من اتصال سدادات الباب بالكامل مع خزانة الثلجة للسماح بعملية السد الكافي.
	لم يتم ضبط أجهزة التحكم في الحرارة بشكل صحيح.	راجع قسم "استخدام أدوات التحكم" للحصول على إعدادات درجة الحرارة الموصى بها.

# استكشاف الأخطاء وإصلاحها

جرب الحلول المقترحة فيما يلي أولاً، لتجنب الاتصال بالخدمة الفنية، إن أمكن.



لعرض رسوم متحركة توضح كيفية ضبط الأبواب ومحاذاتها، ارجع إلى قسم "تعليمات المنتج/الأسئلة الشائعة" على موقع العلامة التجارية على الويب وابحث عن "إغلاق الأبواب ومحاذة الأبواب".

المشكلة	الأسباب المحتملة	الحل
الأبواب لا تنغلق تمامًا.	أعيق الباب وهو مفتوح. هناك حوض أو رف في الطريق. مركبة مؤخرًا	حرك علب الطعام بعيداً عن الباب. ادفع الحوض أو الرف مرة أخرى إلى الموضع الصحيح. أزل جميع مواد التعبئة من على الجهاز.
الأبواب صعبة الفتح.	انساخ حشوات منع التسرب الخاصة بالباب أو التصاقها.	قم بتنظيف الحشوات والأسطح الملامسة بالصابون الخفيف والماء الدافئ. اشطف وجفف بقطعة قماش ناعمة.
تبدو الأبواب غير مستوية.	تحتاج الأبواب للمحاذاة أو تحتاج الثلجة للاستواء.	إذا احتجت لمحاذاة الباب، الرجاء اتصل للحصول على الخدمة.
الثلجة غير ثابتة أو تميل للأمام عند فتح الأبواب وإغلاقها.	قدم مكابح الثلجة غير محكمة على الأرضية.	أدر كلا قدمي المكابح (واحدة على كل جانب) في عكس اتجاه عقارب الساعة، بنفس المقدار، حتى تكون محكمة على الأرضية. راجع قسم "استواء الثلجة وإغلاق الباب".