

Amica

OPERATING INSTRUCTIONS
GEBRAUCHSANWEISUNG
NÁVOD K OBSLUZE
NÁVOD NA OĽSLUHU
HASZNÁLATI ÚTMUTATÓ
NOTICE D'UTILISATION
GEBRUIKSAANWIJZING

EN
DE
CS
SK
HU
FR
NL

Refrigerator-freezer / Kühl-Gefriergerät / Chladnička-mraznička
/ Chladnička s mrazničkou / Hűtőszekrény-fagyasztó /
Réfrigérateur-congélateur / Koel-vriestkast

AR5222W / AR1112W / KSR
364 150* / VJ 1432 BW / KSR
361 160*



IO-REF-0995/5
(11.2023)

EN- Table of contents

GUIDELINES CONCERNING THE SAFETY OF USE	11
INSTALLATION AND OPERATING CONDITIONS OF THE APPLIANCE	16
INSTALLATION BEFORE USING THE APPLIANCE FOR THE FIRST TIME	16
MINIMUM DISTANCES FROM THE HEAT SOURCES	16
MAINS CONNECTION	17
DISCONNECTING THE MAINS	17
CLIMATE RANGE	17
UNPACKING	18
DISPOSAL OF OLD APPLIANCE	18
CONTROLS	19
APPLIANCE CONTROLS	19
ADJUST TEMPERATURE INSIDE THE APPLIANCE	19
ADDITIONAL INFORMATION ON THE TEMPERATURE	20
LIGHTING	20
REPLACE THE LIGHT BULB	20
OPERATION AND FUNCTIONS	21
STORAGE OF FOOD IN THE FRIDGE-FREEZER	21
FREEZING FOOD**	21
USING THE REFRIGERATOR EFFICIENTLY	23
PRACTICAL EVERYDAY TIPS	23
UNDERSTANDING THE STARS	23
PRACTICAL TIPS	24
FOOD THAT SHOULD NOT BE STORED IN A REFRIGERATOR	24
DEFROSTING, WASHING AND MAINTENANCE	25
DEFROSTING THE FRIDGE***	25
DEFROSTING THE FREEZER**	25
DEFROST THE FREEZER CHAMBER FOLLOWING STEPS:**	26
AUTOMATIC FRIDGE DEFROSTING****	26
AUTOMATIC FRIDGE DEFROSTING****	26
WASHING THE FRIDGE AND FREEZER CHAMBERS MANUALLY****	26
TAKING OUT AND PUTTING IN THE SHELVES*****	26
TAKING OUT AND PUTTING IN THE DOOR SHELF*****	26
TROUBLE-SHOOTING	27
WARRANTY AND AFTER SALES SERVICE	29
WARRANTY	29

DE- Inhaltsverzeichnis

SICHERHEITSHINWEISE	31
INBETRIEBNAHME UND BETRIEBSBEDINGUNGEN DES GERÄTES	36
VORBEREITUNG FÜR DEN ERSTEN BERIEB	36
MINDESTABSTÄNDE ZU WÄRMEQUELLEN	36
ELEKTRISCHER ANSCHLUSS	37
GERÄT VOM STROMNETZ TRENNEN	37
KLIMAKLASSE	37
AUSPACKEN	38
ENTSORGUNG VON ALTGERÄTEN	38
STEUERUNG	39
STEUERUNG DES GERÄTES	39
EINSTELLUNG DER TEMPERATUR IM GERÄT	39
WEITERE INFORMATIONEN ZUR TEMPERATUR	40
BELEUCHTUNG	40
WECHSEL DER BELEUCHTUNG	40
BEDIENUNG UND FUNKTIONEN	41
AUFBEWAHREN DER LEBENSMITTEL IM KÜHL- UND GEFRIERRAUM	41
TIEFKÜHLUNG DER LEBENSMITTEL**	41
ENERGIESPARENDE NUTZUNG DES PRODUKTS	43
PRAKTISCHE RATSCHLÄGE	43
WAS BEDEUTEN DIE STERNE?	43
ZONEN IM PRODUKT	43
PRODUKTE, DIE NICHT IM PRODUKT AUFBEWAHRT WERDEN SOLLTEN.	44
ABTAUEN, REINIGEN UND PFLEGEN	45
ABTAUEN DES KÜHLRAUMES***	45
ABTAUEN DES GEFRIERRAUMES**	45
ABTAUENDES GEFRIERRAUMES.**	46
AUTOMATISCHE ABTAUUNG DES KÜHLRAUMES****	46
AUTOMATISCHE ABTAUUNG DES GEFRIERRAUMES****	46
REINIGEN DES KÜHL- UND GEFRIERRAUMES****	46
EINBAU UND AUSBAU DER ABSTELLPLATTEN *****	46
EINBAU UND AUSBAU DER TÜRFÄCHER *****	46
LOKALISIERUNG VON STÖRUNGEN	47
GARANTIE, NACHVERKAUF-SERVICE	49
GARANTIE	49

CS- Obsah

POKYNY TÝKAJÍCÍ SE BEZPEČNOSTI POUŽÍVÁNÍ INSTALACE A PROVOZNÍ PODMÍNKY SPOTŘEBIČE	51
INSTALACE PŘED PRVNÍM SPUŠTĚNÍM	56
MINIMÁLNÍ VZDÁLENOSTI OD TEPELNÝCH ZDROJŮ	56
PŘIPOJENÍ NAPÁJENÍ	57
ODPOJENÍ OD NAPÁJENÍ	57
KLIMATIČKÁ TŘÍDA	57
VYBALENÍ	58
LIKVIDACE OPOTŘEBOVANÝCH ZAŘÍZENÍ	58
OVLÁDÁNÍ	59
OVLÁDÁNÍ ZAŘÍZENÍ	59
REGULACE TEPLoty UVNITŘ ZAŘÍZENÍ	59
DALŠÍ INFORMACE O TEPLOTĚ	60
OSVĚTLENÍ	60
VÝMĚNA OSVĚTLENÍ	60
OBSLUHA A FUNKCE	61
UCHOVÁVÁNÍ POTRAVIN V CHLADNIČCE A MRAZNIČCE	61
ZMRAZOVÁNÍ VÝROBKŮ**	61
JAK EKONOMICKY POUŽÍVAT CHLADNIČKU	63
PRAKTICKÉ PORADY	63
CO ZNAMENAJÍ HVĚZDIČKY?	63
ZÓNY V CHLADNIČCE	64
PRODUKTY, KTERÉ BY NEMĚLY BÝT PŘECHOVÁVÁNÉ V CHLADNIČCE	64
ODMRAZOVÁNÍ, MYTÍ A ÚDRŽBA	65
ODMRAZOVÁNÍ CHLADNIČKY***	65
ODMRAZOVÁNÍ MRAZNIČKY**	65
PRO ODMRAZENÍ MRAZICÍHO PROSTORU MRAZNIČKY JE TŘEBA**	66
AUTOMATICKÉ ODMRAZOVÁNÍ CHLADNIČKY****	66
AUTOMATICKÉ ODMRAZOVÁNÍ MRAZNIČKY****	66
RUČNÍ MYTÍ MRAZICÍHO PROSTORU CHLADNIČKY A MRAZNIČKY****	66
VYTAHOVÁNÍ A VKLÁDÁNÍ POLIC *****	66
VYTAHOVÁNÍ A VKLÁDÁNÍ DVEŘNÍHO REGÁLU *****	66
URČOVÁNÍ ZÁVAD	67
ZÁRUKA, POPRODEJNÍ SERVIS	69
ZÁRUKA	69

SK- Obsah

DÔLEŽITÉ BEZPEČNOSTNÉ POKYNY	71
INŠTALÁCIA A PREVÁDZKOVÉ PODMIENKY SPOTREBIČA	76
INŠTALÁCIA PRED PRVÝM SPUSTENÍM	76
MINIMÁLNE VZDIALENOSTI OD TEPELNÝCH ZDROJOV	76
PRIPOJENIE NAPÁJANIA	77
ODPOJENIE OD NAPÁJANIA	77
KLIMATICKÁ TRIEDA	77
ROZBALENIE	78
LIKVIDÁCIA ZARIADENÍ	78
OVLÁDANIE	79
OVLÁDANIE ZARIADENIA	79
NASTAVENIE TEPLoty VO VNÚTRI ZARIADENIA	79
DODATOČNÉ INFORMÁCIE O TEPLOTE	80
OSVETLENIE	80
VÝMENA OSVETLENIA	80
OBSLUHA A FUNKCIE	81
UCHOVÁVANIE POTRAVÍN V CHLADNIČKE A MRAZNIČKE	81
ZMRAZOVANIE VÝROBKOV**	81
AKO EKONOMICKY POUŽÍVAŤ CHLADNIČKU	83
PRAKTICKÉ RADY	83
ČO ZNAMENAJÚ HVIEZDIČKY?	83
ZÓNY V CHLADNIČKE	84
PRODUKTY, KTORÉ BY NEMALI BYŤ PRECHOVÁVANÉ V CHLADNIČKE	84
ODMRAZOVANIE, UMYVANIE A ÚDRŽBA	85
ODMRAZOVANIE CHLADNIČKY***	85
ODMRAZOVANIE MRAZNIČKY**	85
PRE ODMRAZENIE MRAZIACEHO PRIESTORU MRAZNIČKY JE POTREBA**	86
AUTOMATICKÉ ODMRAZOVANIE CHLADNIČKY****	86
AUTOMATICKÉ ODMRAZOVANIE MRAZNIČKY****	86
RUČNÉ UMYVANIE KOMORY CHLADNIČKY A MRAZNIČKY****	86
VYŤAHOVANIE A VKLADANIE POLÍC*****	86
VYŤAHOVANIE A VKLADANIE PRIEHRADKY*****	86
LOKALIZÁCIA ZÁVAD	87
ZÁRUKA, POPREDAJNÝ SERVIS	89
ZÁRUKA	89

HU- Tartalomjegyzék

BIZTONSÁGOS HASZNÁLATRA VONATKOZÓ ÚTUTATÓK	91
A BERENDEZÉS BETELEPÍTÉSE ÉS MUNKAFELTÉTELEI	96
TELEPÍTÉS AZ ELSŐ ELINDÍTÁS ELŐTT	96
HŐFORRÁSTÓL VALÓ MINIMÁLIS TÁVOLSÁG	96
TÁPELLÁTÁS CSATLAKOZTATÁSA	97
TÁPELLÁTÁS LEKAPCSOLÁSA	97
KLÍMAOSZTÁLY	97
KICSOMAGOLÁS	98
A HASZNÁLT KÉSZÜLÉKEK ELTÁVOLÍTÁSA	99
IRÁNYÍTÁS	100
A KÉSZÜLÉK IRÁNYÍTÁSA	100
HŐMÉRSÉKLET-SZABÁLYOZÁS A KÉSZÜLÉKEN BELÜL	100
TOVÁBBI INFORMÁCIÓK A HŐMÉRSÉKLETTEL KAPCSOLATBAN	101
VILÁGÍTÁS	101
ÉGŐCSERE	101
KEZELÉS ÉS FUNKCIÓK	102
A TERMÉKEK HŰTŐBEN ÉS FAGYASZTÓBAN VALÓ TÁROLÁSA	102
TERMÉKEK FAGYASZTÁSA**	102
A HŰTŐSZEKRENY GAZDASÁGOS HASZNÁLATA	104
PRAKTIKUS TIPPEK	104
MIT JELENTENEK A CSILLAGOK?	104
TÁROLÁSI ZÓNÁK A HŰTŐBEN	105
AZOK A TERMÉKEK, AMELYEKET NEM AJÁNLATOS HŰTŐBEN TARTANI	105
LEOLVASZTÁS, MOSÁS ÉS KARBANTARTÁS	106
HŰTŐ LEOLVASZTÁSA***	106
FAGYASZTÓ FELOLVASZTÁSA**	106
A KAMRA DÉRMENTESÍTÉSE CÉLJÁBÓL A KÖVETKEZŐK A TEENDŐK**	107
HŰTŐ AUTOMATIKUS LEOLVASZTÁSA**	107
FAGYASZTÓ AUTOMATIKUS LEOLVASZTÁSA****	107
HŰTŐ ÉS FAGYASZTÓTEREK KÉZI MEGMOSÁSA****	107
POLCOK KIVÉTELE ÉS BEHELYEZÉSE*****	107
AJTÓPOLC KIVÉTELE ÉS BEHELYEZÉSE*****	107
HIBÁK LOKALIZÁCIÓJA	108
GARANCIA ÉS VÁSÁRLÁS UTÁNI SZERVIZ	110
GARANCIA	110

FR- Table des matières

CONSIGNES DE SECURITÉ D'UTILISATION	112
INSTALLATION ET CONDITIONS DE FONCTIONNEMENT DE L'APPAREIL	119
INSTALLATION AVANT LA PREMIÈRE MISE EN MARCHÉ	119
LES DISTANCES MINIMUMS DES SOURCES DE CHAUFFAGE	119
RACCORDEMENT AU RÉSEAU ÉLECTRIQUE	120
MISE HORS CIRCUIT	120
CLASSE CLIMATIQUE	120
DÉBALLAGE	121
ÉLIMINATION DES APPAREILS USAGÉS	121
COMMANDE	122
COMMANDE DE L'APPAREIL	122
RÉGLAGE DE LA TEMPÉRATURE À L'INTÉRIEUR DE L'APPAREIL	122
INFORMATIONS SUPPLÉMENTAIRES SUR LA TEMPÉRATURE	123
ÉCLAIRAGE	123
REMPLACEMENT DE L'ÉCLAIRAGE	123
UTILISATION ET FONCTIONS	124
CONSERVATION DES DENRÉES DANS LE RÉFRIGÉRATEUR	124
CONGÉLATION DES PRODUITS**	124
COMMENT EXPLOITER LE RÉFRIGÉRATEUR DE FAÇON ECONOMIQUE?	126
CONSEILS PRATIQUES	126
QUE VEULENT DIRE LES ÉTOILES?	126
ZONES DE STOCKAGE DANS LE RÉFRIGÉRATEUR	127
PRODUITS QUI NE DEVRAIENT PAS ÊTRE STOCKÉS DANS LE RÉFRIGÉRATEUR	127
DÉGIVRAGE, NETTOYAGE ET CONSERVATION	128
DÉGIVRAGE DU RÉFRIGÉRATEUR***	128
DÉGIVRAGE DU CONGÉLATEUR**	128
MODE OPÉATOIRE POUR LE DÉGIVRAGE DU COFFRE DU CONGÉLATEUR:**	129
DÉGIVRAGE AUTOMATIQUE DU RÉFRIGÉRATEUR****	129
DÉGIVRAGE AUTOMATIQUE DU CONGÉLATEUR****	129
LAVAGE À MAIN DU COMPARTIMENT RÉFRIG ÉRATEUR ET CONGÉLATEUR****	129
ENLÈVEMENT ET MISE EN PLACE DES CLAYETTES *****	129
ENLÈVEMENT ET MISE EN PLACE DU BALCONNET *****	129
LOCALISATION DES PANNES	130
GARANTIE, SERVICE APRÈS-VENTE	132
GARANTIE	132

NL- Inhoudsopgave

AANWIJZINGEN BETREFFENDE VEILIGHEID VAN GEBRUIK	134
INSTALLATIE EN WERKOMSTANDIGHEDEN VAN HET APPARAAT	139
INSTALLATIE VOOR DE EERSTE INGEBRUIKNAME	139
MINIMALE AFSTANDEN VAN WARMTEBRONNEN	139
AANSLUITEN OP HET ELECTRICITEITSNET	140
UITSCHAKELEN	140
KLIMAATKLASSE	140
UITPAKKEN	141
VERWIJDERING VAN GEBRUIKTE APPARATUUR	141
BEDIENING	142
BEDIENING VAN HET APPARAAT	142
REGELEN VAN DE TEMPERATUUR IN HET APPARAAT	142
AANVULLENDE INFORMATIE BETREFFENDE DE TEMPERATUUR	143
VERLICHTING	143
VERVANGING VAN DE VERLICHTING	143
BEDIENING EN FUNCTIES	144
HET BEWAREN VAN PRODUCTEN IN DE KOELKAST	144
HET INVRIEZEN VAN PRODUCTEN**	144
HOE KAN DE KOELKAST ECONOMISCH GEBRUIKT WORDEN?	146
PRAKTISCHE TIPS	146
WAT BETEKENEN DE STERRETJES?	146
ZONES IN DE KOELKAST	147
LEVENS MIDDELEN DIE NIET IN DE KOELKAST BEWAARD MOGEN WORDEN	147
ONTDOOIEN, WASSEN EN ONDERHOUD	148
ONTDOOIEN VAN DE KOELKAST***	148
ONTDOOIEN VAN DE DIEPVRIEZER**	148
OM DE VRIESRUIMTE TE ONTDOOIEN HANDELT U ALS VOLGT:**	149
AUTOMATISCH ONTDOOIEN VAN DE KOELKAST****	149
AUTOMATISCH ONTDOOIEN VAN DE DIEPVRIEZER****	149
HANDWASSEN VAN DE KOELKAST EN DIEPVRIEZER****	149
UITHALEN EN INZETTEN VAN DE LEGPLATEAUS*****	149
PLAATSEN EN VERPLAATSEN VAN DE OPBERGVAK*****	149
STORINGEN VINDEN EN VERHELPE	150
GARANTIE, SERVICE	152
GARANTIE	152

Dear customer,

From now on, your daily housework will be easier than ever before. Your appliance **Amica** is exceptionally easy to use and extremely efficient. After reading these Operating Instructions, operating the appliance will be easy.

Before being packaged and leaving the manufacturer, the appliance was thoroughly checked with regard to safety and functionality.

Before using the appliance, please carefully read these Operating Instructions. By following these instructions carefully you will be able to avoid any problems in using the appliance. It is important to keep these Operating Instructions and store them in a safe place so that they can be consulted at any time.

Follow these instructions carefully in order to avoid possible accidents.

Sincerely,

Amica

GUIDELINES CONCERNING THE SAFETY OF USE

- Do not store explosive substances such as aerosol cans with a flammable propellant in this appliance.
- This appliance is intended to be used in household and similar applications such as:
 1. Staff kitchen areas in shops, offices and other working environments
 2. Farm houses and by clients in hotels, motels and other residential type environments
 3. Bed and breakfast type environments
 4. Catering and similar non-retail applications
- The manufacturer reserves the right to introduce changes which do not affect the operation of the appliance.
- Some provisions in this user manual are unified for refrigerating products of different types (for a refrigerator, refrigerator-freezer or freezer)
- The Manufacturer shall not be held liable for damage arising from the failure to observe the instructions contained in this manual.
- Keep this manual for future reference, or to pass it over to the next user.
- This appliance is not intended for use by persons (including children) with limited physical or mental capabilities and persons who lack experience or familiarity with the appliance.
- Do not allow children to use the appliance. Do not allow them to play with the appliance. They must not climb inside the drawers and swing on the doors.
- The appliance operates properly at the ambient temperature (see product fiche). Do not use it in the cellar, unheated summer cottage during autumn and winter.
- When placing, moving, lifting the appliance, do not hold the door handles, do not pull the condenser at the rear part of the refrigerator and do not touch the compressor unit.

- When transporting, moving or positioning the fridge-freezer do not tilt it by more than 40° from the vertical position. Should such a situation occur, the appliance should be switched on after minimum 2 hours from its replacement in the right position (fig.2).
- Pull the plug out from the mains socket before each maintenance activity. Do not pull on the cord, but hold the body of the plug instead.
- The “cracking” sound, which the appliance may emit is caused by the expansion and contraction of parts as a result of temperature variations.
- For safety reasons do not repair the appliance yourself. Repairs carried out by persons who do not have the required qualifications may result in serious danger for the user of the appliance.
- Air the room in which the appliance is placed for a few minutes (the size of the room for a product containing isobutane/R600a must be at least 4m³) to avoid damage to the cooling system.
- Do not refreeze partly thawed products.
- Do not store beverages in bottles and cans, especially carbonated beverages, in the freezer chamber. The cans and the bottles may explode.
- Do not put frozen products, taken out directly from the freezer (lollies, ice cubes, etc.) into your mouth, their low temperature may cause severe frostbite.
- Make sure you do not damage the cooling system, by puncturing the refrigerant pipes in the evaporator or breaking the pipes. The refrigerant is flammable. If the refrigerant makes contact with the eyes, rinse them with clean water and call for medical assistance immediately.
- If the supply cord is damaged, it must be replaced by the manufacturer, its service agent or similar qualified persons in order to avoid a hazard.
- This appliance is intended for food storage, do not use it for other purposes.
- When performing activities, such as cleaning, maintenance or moving, the appliance must be completely

disconnected from power supply (by pulling the plug out from the socket)

- This appliance can be used by children aged 8 years and older or by persons with physical, mental or sensory handicaps, or by those who are inexperienced or unfamiliar with the appliance, provided they are supervised or have been instructed how to safely use the appliance and are familiar with risks associated with the use of the appliance. Ensure that children do not play with the appliance. Cleaning and maintenance of the appliance should not be performed by children unless they are 8 years or older and are supervised by a competent person.
- **WARNING:** Do not use mechanical devices or other means to accelerate the defrosting process, other than those recommended by the manufacturer.
- **WARNING:** Do not use electrical appliances inside the food storage compartments of the appliance, unless they are of the type recommended by the manufacturer.
- If the socket does not match the refrigerator plug, it must be replaced by the manufacturer, its service agent or similar qualified persons in order to avoid a hazard.
- In order to obtain more space in the freezer, you can remove the drawers and place the food directly on the shelves. This has no effect on the product mechanical properties and cooling performance. Declared freezer capacity was calculated with the drawers removed.
- **WARNING:** Do not damage the refrigerant circuit.
- This appliance is not intended for use at altitudes exceeding 2000 m.



WARNING: Risk of fire / flammable materials

- Children aged from 3 to 8 years are allowed to load

and unload refrigerating appliances.

- **WARNING:** When positioning the appliance, ensure the supply cord is not trapped or damaged.

To avoid contamination of food, please respect the following instructions:

- Opening the door for long periods can cause a significant increase of the temperature in the compartments of the appliance.
- Clean regularly surfaces that can come in contact with food and accessible drainage systems.
- Store raw meat and fish in suitable containers in the refrigerator, so that it is not in contact with or drip onto other food.
- Two-star frozen-food compartments are suitable for storing pre-frozen food, storing or making ice-cream and making ice cubes.
- One-, two- and three-star compartments are not suitable for the freezing of fresh food
- **WARNING:** Do not use electrical appliances inside the food storage compartments of the appliance, unless they are of the type recommended by the manufacturer

	Compartments TYPE	Target storage temp.[°C]	Appropriate food
1	Fridge	+2≤+8	Eggs, cooked food, packaged food, fruits and vegetables, dairy products, cakes, drinks and other foods are not suitable for freezing.
2	Freezer 	≤-18	Seafood (fish, shrimp, shellfish), freshwater aquatic products and meat products (recommended for 3 months, the longer the storage time, the worse the taste and nutrition), suitable for frozen fresh food.
3	Freezer 	≤-18	Seafood (fish, shrimp, shellfish), freshwater aquatic products and meat products (recommended for 3 months, the longer the storage time, the worse the taste and nutrition), are not suitable for frozen fresh food.
4	Freezer 	≤-12	Seafood (fish, shrimp, shellfish), freshwater aquatic products and meat products (recommended for 2 months, the longer the storage time, the worse the taste and nutrition), are not suitable for frozen fresh food
5	Freezer 	≤-6	Seafood (fish, shrimp, shellfish), freshwater aquatic products and meat products (recommended for 1 months, the longer the storage time, the worse the taste and nutrition), are not suitable for frozen fresh food.

6	0- star compartment	$-6 \leq 0$	Fresh pork, beef, fish, chicken, some packaged processed foods, etc. (Recommended to eat within the same day, preferably no more than 3 days). Partially encapsulated processed foods (non-freezable foods)
7	Chill	$2 \leq +3$	Fresh/frozen pork, beef, chicken, freshwater aquatic products, etc. (7 days below 0°C and above 0°C is recommended for consumption within that day, preferably no more than 2 days). Seafood (less than 0 for 15 days, it is not recommended to store above 0°C)
8	Fresh Food	$0 \leq +4$	Fresh pork, beef, fish, chicken, cooked food, etc. (Recommended to eat within the same day, preferably no more than 3 days)
9	Wine	$+5 \leq +20$	red wine, white wine, sparkling wine etc.

- Note: please store different foods according to the compartments or target storage temperature of your purchased products.
- If the refrigerating appliance is left empty for long periods, switch off, defrost, clean, dry, and leave the door open to prevent mould developing within the appliance.
- Water dispenser cleaning (special for water dispenser products): Clean water tanks if they have not been used for 48 h; flush the water system connected to a water supply if water has not been drawn for 5 days.
- Pursuant to Commission Regulation (EU) 2019/2019, the minimum availability period for spare parts necessary to repair the appliance is 7 or 10 years depending on the type and purpose of the spare part.
- The list of spare parts and the ordering procedure are available on the websites of the manufacturer, importer or an authorized representative.
- For more information about the product, please refer to the EU EPREL Product Database at <https://eprel.ec.europa.eu>. For more information, please use your mobile device to scan the QR code on the energy label or enter the product model listed on the energy label in the EPREL search engine <https://eprel.ec.europa.eu/>

INSTALLATION AND OPERATING CONDITIONS OF THE APPLIANCE

This refrigeration appliance is not intended for use as a built-in appliance.

Installation before using the appliance for the first time

- Take the product out of the package, remove the scotch tape protecting the door and the equipment. Any remaining adhesive stains may be removed with a mild washing agent.
- Do not throw away the polystyrene elements of the packaging. If it is necessary to transport the fridge-freezer, pack it in the polystyrene elements and film as well as protecting it with scotch tape
- Clean the interior surface of the fridge-freezer and the elements of the equipment with a washing agent dissolved in lukewarm water, then wipe it dry.
- Place the fridge-freezer on an even, flat and stable surface, in dry, aired and shaded room, far from the heat sources such as: oven, hob, central heating radiators, central heating pipes, hot water installation, etc.
- On the exterior surface of the product may be a protective foil, this foils should be removed.
- Make sure the appliance is placed in a horizontal position by screwing in the 2 adjustable front legs (fig. 3)
- To ensure that the door opens freely, the distance between the side of the appliance (on door hinges side) and the wall is shown on figure 5.*
- Ensure adequate ventilation of the room and free air circulation from all sides of the appliance (fig. 6).*

Minimum distances from the heat sources

- from the electric gas and other ovens - 30 mm,
- from oil or coal fired ovens - 300 mm,
- from built-in ovens - 50 mm

If there is no possibility of ensuring the above- mentioned distances, provide an appropriate insulation board.

Warning:

- The rear wall of the refrigerator, in particular, the condenser and other elements of the cooling system must not contact other elements, which may damage them, (e.g. central heating pipes and the water supply pipes).
- It is forbidden to readjust or modify any parts of the unit. It is crucial not to damage the capillary tube visible in the compressor recess. The tube may not be bent, straightened or wound.
- If the capillary tube is damaged by the user the guarantee will be void (fig. 8).
- In some models the handle is put into the appliance, You should screw it with Your own screwdriver,
- Do not damage the refrigerant circuit

Mains connection

- Prior to connection, it is recommended to set the temperature control knob to an „OFF“ or other position that disconnects the appliance from the power supply (See page with the control description).
- This appliance should be connected to AC 220-240V 50Hz supply socket. The socket must be fitted properly, and must be supplied with an earthing conduit and a 10A fuse.
- It is a legal requirement that the appliance is properly earthed. The manufacturer will not be held liable for any damage or injury which may result from the failure to fulfil this requirement.
- Do not use adapters, multiple sockets and two-wire extension leads. If it is necessary to use the extension lead, it must be equipped with a protection ring and a single socket and must have a VDE/GS safety certificate.
- If an extension lead is used (with a protection ring and safety certificate), its socket must be located at a safe distance, away from the sinks, and must not be in a place where it could be flooded by water or waste water.
- See the type plate at the lower part of the internal wall of the appliance for detailed specifications**.

Disconnecting the mains

Make sure the appliance can be easily disconnected from the mains, either by pulling the plug out of the mains socket, or by switching the two-pole switch off (fig. 9).

Climate range

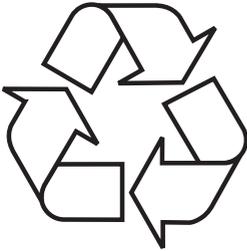
The information about the climate range of the appliance is provided on the rated plate. It indicates at which ambient temperature (that is, room temperature, in which the appliance is working) the operation of the appliance is optimal (proper).

Climate class		Allowable ambient temperature
SN	Extended Temperate	This refrigeration appliance is intended for use at an ambient temperature ranging between 10°C and 32°C
N	Temperate	This refrigeration appliance is intended for use at an ambient temperature ranging between 16 °C and 32°C
ST	Subtropical	This refrigeration appliance is intended for use at an ambient temperature ranging between 16 °C and 38 °C
T	Tropical	This refrigeration appliance is intended for use at an ambient temperature ranging between 16 °C and 43 °C

* Only free-standing appliances

** According to the model

UNPACKING



During transportation, protective packaging was used to protect the appliance against any damage. After unpacking, please dispose of all elements of packaging in a way that will not cause damage to the environment. All materials used for

packaging the appliance are environmentally friendly; they are 100% recyclable and are marked with the appropriate symbol. Important! Packaging materials (bags, polyethylene, polystyrene, etc.) should be kept away from children during unpacking.

DISPOSAL OF OLD APPLIANCE



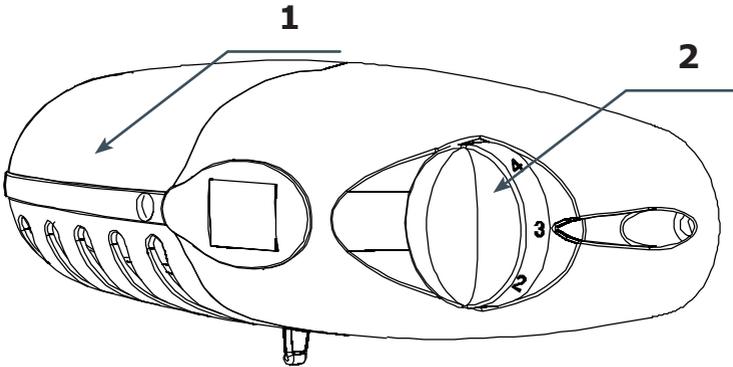
In accordance with European Directive 2012/19/EU and local legislation regarding used electrical and electronic goods, this appliance is marked with the symbol of the crossed-out waste container. This marking indicates that the appliance must not be disposed of together with other household waste after it has been used. The user is obliged to hand it

over to waste collection centre collecting used electrical and electronic goods. The collectors, including local collection points, shops and local authority departments provide recycling schemes. Proper handling of used electrical and electronic goods helps avoid environmental and health hazards resulting from the presence of dangerous components and the inappropriate storage and processing of such goods.

CONTROLS

Appliance controls

The control panel is shown in figure 10. For reference it is also shown below:



- 1 — Light
- 2 — Temperature control dial

Adjust temperature inside the appliance

Turn the dial to adjust the temperature in the appliance:

OFF/0 position Appliance is off

Setting 1 The highest temperature inside the appliance (warmer)

Settings 2-6 Medium temperature inside the appliance

Setting 7 The lowest temperature inside the appliance (cooler)

Note:

- The temperature control dial in your appliance can be marked differently than in this manual. The general principle of operation is described above.
- If there is no position marked "OFF" or "0" on the dial, turn off your appliance by unplugging the power cord from the wall outlet. Before unplugging set the lowest setting on the temperature control dial.

Additional information on the temperature

- The temperature inside the appliance is influenced by many factors. How you set the temperature control dial depends on the ambient temperature, sun exposure, how often you open the door and the amount of food stored. The middle setting of the dial is most optimal in most cases.
- Do not put food into the fridge freezer before it has reached its operating temperature, which takes minimum 4 hours.
- Do not change the temperature settings due to the change in the season of the year. The ambient temperature increase will be detected by the sensor and the compressor will be switched on automatically for a longer period of time in order to maintain the temperature set inside the chambers.
- The slight changes in temperature are perfectly normal and may occur, for instance during the storage of great quantities of fresh products in the fridge, or when the door is open for a longer period of time. This will not affect the condition of the stored foodstuff, and the temperature will quickly return to its set value.

LIGHTING

This section applies to units factory equipped with incandescent lightbulb and selected appliances equipped with LED lighting with E14 thread.

Replace the light bulb

- Set the knob to "OFF", then unplug the appliance.
- Remove the bulb cover (Fig. 18).
- Replace the bulb with one having identical parameters as the factory installed bulb (E14 thread, 220-240V, maximum dimensions: 26 mm diameter, 55 mm length).
- Replace the bulb cover.
- Bulbs of a higher or lower power should not be used, only use bulbs of the specification given above.

Note:

- The light bulb must not be used for room illumination.
- If Figure 18 is not shown in this manual, light source can only be replaced by a qualified service technician.

OPERATION AND FUNCTIONS

Storage of food in the fridge-freezer

- The products should be placed on plates, in containers or packed in food wrap. Distribute them evenly over the shelves.
- If the food contacts the rear wall, it may cause frosting or wetting of the products.
- Do not put dishes with hot food into the fridge
- Products which absorb flavours easily such as butter, milk, white cheese and products with intense flavour, such as fish, smoked meat, hard cheese must be placed on shelves, packed in food wrap or in tightly sealed containers.
- The storage of vegetables containing significant quantities of water will cause the deposition of condensation on the vegetable containers, it does not impact on the proper functioning of the fridge.
- Before putting the vegetables into the fridge, dry them well.
- Excessive moisture shortens the shelf life of vegetables, especially the leafed vegetables.
- Do not wash the vegetables before storing in the refrigerator. Washing removes the natural protection, therefore it is better to wash the vegetables directly before consumption.
- It is recommended to place the products in freezer drawers 1, 2, 3* up to natural loading capacity (Fig. 11a / 11b).**
 1. Packed products
 2. Shelf
 3. Natural loading capacity
 4. ✖***
- Stacking of products on the freezer shelves is acceptable.*
- It is acceptable to place products beyond the natural loading capacity by 20-30 mm.**
- In order to increase the loading capacity of the freezer chamber and allow the stacking of products on the freezer evaporator wire shelves up to maximum height it is possible to remove drawers 1 and 2.*

Freezing food**

- Practically all the food products, except for vegetables consumed raw, such as lettuce can be frozen.
- Only food products of the highest quality, divided into small portions for single use, should be frozen.
- Products should be packed in materials that are odourless, resistant to air and moisture penetration, and not susceptible to fat. Plastic bags, polyethylene and aluminium sheets are the best wrapping materials.
- The packaging should be tight and should stick to the frozen products. Do not use glass containers.
- Keep fresh and warm foodstuff at ambient temperature away from the products, which have already been frozen.
- We advise you not to place more of fresh food at a time to the freezer per day (see table with technical specification).

- In order to maintain optimum quality of the frozen food, reorganise the food that is in the middle of the freezer, so that it does not touch the products that are not yet frozen.
- It is recommended that you move the already frozen products to one side and place the fresh products that are to be frozen on the opposite side, as close to the rear and side walls as possible.
- To freezing products, use space marked **(❄️***❄️)**.
- Bear in mind that the temperature in the freezer is affected by several factors, including the ambient temperature and the quantity of food products in the chamber, the frequency of opening the door, the amount of frost in the freezer, and the thermostat setting.
- If you cannot open the freezer door immediately after closing it, allow 1-2 minutes for the negative pressure to compensate, and try again to open the door.

The storage time for frozen products depends on their quality before freezing when fresh, and on the storage temperature. The following storage periods are recommended when the temperature of -18°C or lower is maintained:

Products	Months
Beef	6-8
Veal	3-6
Giblets	1-2
Pork	3-6
Poultry	6-8
Eggs	3-6
Fish	3-6
Vegetables	10-12
Fruit	10-12

Do not store frozen food in rapid cooling chamber. Ice cubes can be prepared and stored in this chamber.

Note: If the appliance does not have a freezer compartment (**(❄️***❄️)**), it is not suitable for freezing foodstuffs.

* Applicable to appliances with a freezer compartment at the bottom of the appliance.

** Applicable to appliances with a freezer compartment **(❄️***❄️)**

*** Not applicable to appliances with a freezer compartment marked **(❄️***❄️)**

USING THE REFRIGERATOR EFFICIENTLY

Practical everyday tips

- Do not place fridges or freezers next to radiators, heaters, stoves or in direct sunlight.
- Make sure that air vents are not covered up and clean the dust off them once or twice a year.
- Select the right temperature: 6 to 8°C in your refrigerator and -18°C in your freezer is sufficient.
- When on holiday, turn up the temperature in your fridge.
- Only open your fridge or freezer when necessary. It helps if you know what food each contains and where it is located. Return food to the fridge or freezer as soon as possible after you have used it so that it does not warm up too much.
- Wipe the inside of your fridge regularly with a cloth soaked in a mild detergent. Appliances which are not self-defrosting will require regular defrosting. Do not allow frost layers thicker than 10 mm to form.
- Keep the seal around the door clean, otherwise it will not shut properly. Always replace broken seals.

Understanding the stars



Temperature is at least -6°C; sufficient to store frozen food for about a week. Drawers or compartments marked with one star used to be a feature of (mostly) cheaper fridges.



Food can be stored at -12°C or below for 1-2 weeks without losing its taste. Not suitable for freezing food.



This rating is mainly used to store foods at -18°C or below. Can also be used to freeze up to 1 kilogram of fresh food.



This appliance is suitable for storing foods at -18°C or below and freezing larger quantities of fresh foods.

Practical tips

Due to the natural circulation of the air in the appliance, there are different temperature zones in the refrigerator chamber.

- The coldest area is directly above the vegetables drawers. Use this area for all delicate and highly perishable food e.g.:
 - Fish, meat, poultry
 - Sausage products, ready meals
 - Dishes or baked goods containing eggs or cream
 - Fresh dough, cake mixtures
 - Pre-packed vegetable and other fresh food with a label stating it should be kept at a temperature of approx 4°C.
- The warmest area is in the top section of the door. Use this for storing butter and cheese.

Food that should not be stored in a refrigerator

- Not all food is suitable for storing in the refrigerator, particularly:
 - Fruit and vegetables which are sensitive to cold, such as bananas, avocado, papaya, passion fruit, aubergines, peppers, tomatoes and cucumbers.
 - Fruit which is not yet ripe
 - Potatoes

Warning:

Example of storing the food - see figure 12.

To achieve the most effective food preservation for the longest possible time and to avoid wasting any food, position the products as shown in Figure 12. In addition, this figure illustrates the layout of drawers, baskets and shelves, which allows the most efficient use of energy.

Optimal temperature and storage conditions will extend product shelf life and optimize electricity consumption. Optimal storage temperature range should be stated on the food product packaging.

DEFROSTING, WASHING AND MAINTENANCE

Never clean the product's casing or plastic parts using solvents or strong, abrasive detergents (e.g. washing powders or creams)! Use mild liquid detergents and soft cloths only. Do not use sponges.

External surfaces made of plastic should be cleaned with a microfiber cloth, otherwise irreversible micro scratches will appear.

Defrosting the fridge***

- Frost settles on the rear wall of the fridge chamber. It is removed automatically. During the defrosting, the condensate, which contains contaminants may clog the opening in the through. Should it occur, carefully unclog the opening with the cleaning plug (fig. 13).
- The appliance operates in cycles: it refrigerates (then the frost settles on the rear wall), and defrosts (water flows down the rear wall)
- Disconnect the appliance from the mains before cleaning by removing the plug from the mains socket or switching off the fuse. Prevent water from penetrating the control panel or the light.
- Do not use defrosting aerosols. They may cause the formation of an explosive mixture, or contain solvents which may damage the plastic components of the appliance and even be harmful to health.
- Make sure the water used for cleaning does not flow into the evaporation container through the discharge opening.
- The whole appliance, except for the door gasket must be cleaned with a mild cleaning detergent. The door gasket should be cleaned with water and wiped dry.
- Wash all the accessories (vegetable containers, door shelves, glass shelves, etc.).
- **WARNING:** Do not use mechanical devices or other means to accelerate the defrosting process, other than those recommended by the manufacturer

Defrosting the freezer**

- It is recommended to combine defrosting the appliance with washing it.
- Excessive accumulation of ice on the freezing areas impairs the appliance's freezing capacity and increases the energy consumption.
- Defrost the appliance at least once or twice a year. In case of a higher ice build-up, defrosting must be carried out more frequently.
- If there is food in the freezer, set the knob to the max. position about 4 hours before the planned defrosting. This will ensure the possibility of storing the food at the ambient temperature for a longer time.
- After taking the food out of the freezer, put it in a container, wrap it with several layers of paper, a blanket and store it at a cool place.
- The defrosting operation should last as short as possible. Long storage of food at the ambient temperature shortens their shelf life.

Defrost the freezer chamber following steps:**

- Switch of the appliance using the control panel and pull the plug out from the socket..
- Open the door and remove the food from the freezer.
- Depending on the model, pull out the drainage tube located in the bottom of the freezer compartment and place a suitable vessel underneath.
- Leave the door open, this will speed up the defrost process. Additionally, a pot with hot water (not boiling) may be placed inside the freezer compartment.
- Wash the interior of the freezer and wipe it dry.
- Switch on the appliance as per the relevant point in the manual.

Automatic fridge defrosting****

The fridge chamber has been equipped with an automatic defrosting function. However, frost may settle on the rear wall of the fridge chamber. This happens usually, when large quantities of fresh food products are stored in the fridge.

Automatic fridge defrosting****

The freezer chamber has been equipped with an automatic defrosting function (no-frost). The food is frozen in the cooled circulation air, and the moisture from the freezer chamber is discharged outside. As a result, no ice and frost is produced in the freezer and the products do not freeze on each other.

Washing the fridge and freezer chambers manually****

It is recommended to wash the fridge and freezer chambers at least once a year. This prevents the formation of bacteria and bad odours. Switch off the appliance, using button (1), remove the food from the chambers and wash them using water with a mild detergent. Then, wipe the chambers dry with a cloth.

Taking out and putting in the shelves*****

Slide the shelf out, then slide it in as much as possible so that its clamp could fit the guide groove (fig. 15).

Taking out and putting in the door shelf*****

Lift the door shelf, remove it and put it back from the top into its required position (fig. 16).

WARNING! You must not put an electric heater, a heating fan or a hair dryer into the freezer by any means.

** Applicable to appliances with a freezer compartment 

*** Not applicable to appliances with a Frost-free System.

*** Applicable to appliances with a refrigerator compartment

**** Not applicable to appliances with a Frost-free System.

**** Applicable to appliances with a Frost-free System.

***** Does not apply to freezers

TROUBLE-SHOOTING

Problems	Possible causes	Remedies
The appliance does not work	The electric circuit is disrupted	<ul style="list-style-type: none"> - check whether the plug is properly inserted into the socket - check whether the power cable of the appliance is not damaged - check whether there is voltage in the socket, by plugging another appliance, e.g. a night lamp - check whether the appliance is switched on by setting the thermostat to a position above 0.
The lighting inside the chamber does not work	The bulb is loose or fused (only appliances with bulb lightning type)	- fit the bulb correctly or replace it (see section above "Replacing the interior light bulb")
The appliance works continuously	<p>Incorrect setting of the adjustment knob</p> <p>See. "Temperature inside the appliance is not low enough for description of other possible causes"</p>	<p>- reset the knob to a lower position</p> <p>See. "Temperature inside the appliance is not low enough for description of other possible remedies"</p>
Water collects in the lower part of the appliance	The water discharge opening is clogged (depending on the model)	- clean the discharge opening (see the operating manual – chapter entitled "Defrosting the fridge")
	Internal air circulation obstructed	- place the food and containers in such a way as that they do not touch the rear wall of the fridge
The appliance generates unusual noise	Incorrect levelling of the appliance	- level the appliance properly
	The appliance is touching furniture and/or other objects	- place the appliance at a location that ensures proper clearances around it

Problems	Possible causes	Remedies
Temperature inside the appliance is not low enough or too high	Incorrect setting of the adjustment knob	- reset the knob to a higher position
	The ambient temperature is higher or lower than the climate range from table with technical specification	- the appliance is adapted to operation in the climate range from table with technical specification.
	The appliance is located in a sunlit place or near heat sources	- move the appliance to another place. Observe the guidelines contained in the manual
	Too much warm food loaded at a time	- wait 72 hours until the food becomes cool (freezes) and the required temperature is reached inside the chamber
	Internal air circulation obstructed	- place the food and containers in such a way that they do not touch the rear wall of the fridge
	The air circulation at the back of the appliance is obstructed	- move the appliance min. 30 mm away from the wall
	The door of the fridge/freezer is opened too often and/or remains open for too long	- reduce the frequency of opening the door and/or shorten the time when door remains open
	The door does not close completely	- place the food and containers so that they would not interfere with door closed
The compressor is switched on too rarely	- check whether the ambient temperature is not lower than climate class	
Door gasket inserted incorrectly	- press the gasket in	

Certain sounds can be heard during normal use of the refrigerator, which do not affect its correct operation.

Sounds, which can be easily prevented:

- noise caused by the appliance which is not level - adjust the position with the adjustable turn-in front feet. Alternatively, place pads made of soft material under the rear rollers, especially when the appliance is placed on tiles.
- touching the adjacent piece of furniture - move the refrigerator away.
- creaking of the drawers or shelves - take out and put back the drawer or shelf.
- sounds of clinking bottles - move bottles apart.

Sounds heard during normal use are mainly due to operation of the thermostat, compressor (switching on) and cooling system (thermal expansion and contraction of the radiator caused by flow of the cooling agent).

Sehr geehrter Kunde,

Von heute an werden Ihre alltäglichen Pflichten einfacher denn je. Dieses Gerät **Amica** ist eine Verbindung einer außergewöhnlich leichten Bedienung und einer perfekten Effizienz. Nachdem Sie diese Bedienungsanleitung gelesen haben, ist die Bedienung des Gerätes kein Problem mehr.

Bevor das Gerät das Herstellerwerk verlassen konnte, wurde er vor dem Verpacken gründlich auf deren Sicherheit und Funktionalitäten an Prüfständen überprüft.

Bevor das Gerät in Betrieb genommen wird, lesen Sie bitte die Bedienungsanleitung aufmerksam durch. Befolgen Sie die darin stehenden Hinweise, vermeiden Sie verschiedene Bedienfehler. Diese Bedienungsanleitung ist zu erhalten und so aufzubewahren, dass sie jederzeit bei der Hand ist.

Zur Vermeidung möglicher Unfälle befolgen Sie die in der Bedienungsanleitung stehenden Hinweise genau.

Mit freundlichen Grüßen

Amica

SICHERHEITSHINWEISE

- Dieses Gerät ist ausschließlich für den Gebrauch im häuslichen oder haushaltsähnlichen Umfeld bestimmt. Hierzu zählen z.B. Firmenküchen; kleine Küchen in Geschäften, Büros und anderen Arbeitsumgebungen, für die Nutzung durch Gäste in Hotels, Motels und anderen Wohneinrichtungen, in Wohngebäuden auf dem Lande und in Beherbergungsbetrieben.
- Der Hersteller behält sich das Recht vor, Änderungen vorzunehmen, die Gerätefunktion nicht beeinträchtigen.
- Manche Bestimmungen dieser Bedienungsanleitung wurden für die Kühlgeräte verschiedener Art (für den Kühlschrank, Kühl-Gefriergerät oder Gefriergerät) vereinheitlicht. Die Information über die Art Ihres Gerätes ist dem Produktdatenblatt, das dem Gerät beigelegt wurde, zu entnehmen.
- Der Hersteller haftet nicht für die Schäden, die Folge der Nichteinhaltung in der vorliegenden Gebrauchsanweisung angeführten Prinzipien sind.
- Bewahren Sie diese Gebrauchsanweisung für einen späteren Gebrauch auf, oder sie in Zukunft einem eventuellen Nachbesitzer übergeben zu können.
- Das Gerät darf nicht durch Personen (darunter auch Kinder) mit eingeschränkten körperlichen, sinnlichen oder psychischen Fähigkeiten sowie durch unerfahrene sowie solche Personen, die das Gerät nicht kennen, bedient werden, es sei denn, es geschieht unter Aufsicht oder gemäß der Anweisungen der für ihre Sicherheit verantwortlichen Personen.
- Erlauben Sie nicht den Kindern das Gerät ohne Aufsicht zu bedienen. Erlauben Sie den Kindern nicht mit dem Gerät zu spielen. Lassen Sie die Kinder nicht sich auf die aufschiebbaren Bestandteile des Produkts zu setzen oder auf der Tür zu hängen.
- Das Kühl-Gefriergerät arbeitet ordnungsgemäß bei einer Raumtemperatur, die in der Tabelle mit der technischen Spezifikation angegeben ist. Das Gerät ist nur für den Gebrauch in Innenräumen geeignet, allerdings nicht in unbeheizten Kellerräumen, Hausfluren oder Sommerhäusern.

- Zum Aufstellen und Verschieben des Gerätes dürfen nie die Türgriffe, die Kondensatorröhrchen oder die Kompressoreinheit benutzt werden.
- Das Kühl- und Gefriergerät sollte während des Transports oder der Aufstellung nur bis zu 40° geneigt werden. Ist der Winkel größer, darf das Gerät erst nach 2 Stunden eingeschaltet werden. (Abb. 2).
- Vor jeder Wartungsarbeit ist der Netzstecker aus der Steckdose zu entfernen. (Nicht am Kabel, sondern immer am Netzstecker ziehen).
- Knackende Geräusche sind eine Folge der Material-
• Ausdehnung bzw. -Zusammenziehung einzelner Bauelemente, die durch Temperaturschwankungen des Kühlmittels hervorgerufen werden.
- Aus Sicherheitsgründen ist das Gerät niemals selbständig zu reparieren, sondern nur durch Mitarbeiter einer autorisierten Fachwerkstatt. Nur so bleibt die vom Hersteller gewährte Garantie erhalten.
- Im Falle einer Beschädigung des Kühlkreislaufs muss der Raum, in dem das Gerät aufgestellt wurde, einige Minuten gut durchgelüftet werden (Das Gerät mit Isobutan R600a benötigt einen Raum von mindestens 4 qm Fläche.)
- Angetaute Lebensmittel dürfen auf keinen Fall wieder eingefroren werden
- Getränke in Flaschen und Dosen, dürfen nicht im Tiefkühlbereich aufbewahrt werden. Die Flaschen und Dosen platzen!
- Das aus dem Gefrierraum herausgenommene Gefriergut (Eis, Eiswürfel usw.) darf nicht direkt in den Mund genommen werden, es könnte schmerzhaftes Erfrierungen verursachen.
- Das Kühlsystem niemals beschädigen. Das Kältemittel ist leicht entflammbar. Bei Kontakt mit den Augen sofort gründlich mit Wasser spülen und einen Arzt konsultieren.
- Ist die Anschlussleitung beschädigt, muss sie ersetzt werden. Diese darf nur von einer autorisierten Fachwerkstatt ausgewechselt werden.
- Das Gerät dient zur Aufbewahrung von Nahrungsmitteln, zu anderen Zwecken nicht verwenden.
- Das Gerät ist für die Dauer solcher Handlungen wie Reinigung, Wartung oder Änderung des Aufstel-

lungsstandortes von der Stromversorgung ganz (durch Ziehen des Netzsteckers aus der Steckdose) zu trennen.

- Das Gerät kann von Kindern ab 8 Jahren und Personen mit eingeschränkten physischen, sensorischen oder geistigen Fähigkeiten oder mit mangelnder Erfahrung und Unkenntnis verwendet werden, wenn sie in die sichere Verwendung des Geräts eingewiesen wurden und sie die mit ihm verbundenen Gefahren verstanden haben. Kinder dürfen nicht mit dem Gerät spielen. Die Reinigung und Wartung des Gerätes dürfen von Kindern nicht erfolgen, es sei denn, dass sie das 8. Lebensjahr vollendet haben und von einer zuständigen Person beaufsichtigt wurden.
- Um mehr Platz im Gefriergerät zu bekommen, können die Schubladen herausgenommen und die Produkte direkt in die einzelnen Fächer gelegt werden. Die thermischen und mechanischen Eigenschaften des Gerätes werden hiervon nicht betroffen. Der deklarierte Nutzinhalt des Gefriergerätes wurde bei herausgenommenen Schubladen ermittelt.



WARNHINWEIS: Brandgefahr / brennbare Stoffe

- Kinder im Alter von 3 bis 8 Jahren können Produkte in das Kühlgerät legen oder herausnehmen.

Um die Kontamination von Lebensmitteln zu vermeiden, halten Sie sich an folgende Regeln:

- Lassen Sie die Tür nicht zu lange offen, da sonst die Temperatur in den Kühlfächern beachtlich ansteigen kann.
- Reinigen Sie die mit Lebensmitteln in Kontakt kommenden Flächen sowie gegebenenfalls die zugänglichen Wasserabläufe regelmäßig.
- Bewahren Sie rohes Fleisch und Fisch in den dafür vorgesehenen Kühlfächern auf, sodass sie nicht mit anderen Lebensmitteln in Kontakt kommen und kein Fleisch- oder Fischsaft auf andere Lebensmittel tropft.
- Die 2-Sterne-Fächer im Gefrierschrank dienen zur

Lagerung von Tiefkühlprodukten, zum Aufbewahren oder Einfrieren von Eis sowie für die Herstellung von Eiswürfeln.

- Die Fächer mit einem, zwei oder drei Sternen sind nicht zum Einfrieren frischer Lebensmittel bestimmt.

	Arten von Kühlfächern	Vorgesehene Lagertemperatur [°C]	Geeignete Lebensmittel
1	Kühlschrank	+2≤+8	Eier, gekochte Lebensmittel, verpackte Lebensmittel, Obst und Gemüse, Milchprodukte, Kuchen, Getränke und andere nicht zum Einfrieren geeignete Produkte.
2	Gefrierfach ❄️☆☆☆	≤-18	Meeresfrüchte (Fisch, Garnelen, Muscheln), Süßwasserfische und Fleischprodukte (möglichst maximal 3 Monate - je länger die Lagerzeit, desto mehr verliert das Produkt an Geschmack und Nährwerten), geeignet zum Einfrieren frischer Lebensmittel.
3	Gefrierfach ☆☆☆	≤-18	Meeresfrüchte (Fisch, Garnelen, Muscheln), Süßwasserfische und Fleischprodukte (möglichst maximal 3 Monate - je länger die Lagerzeit, desto mehr verliert das Produkt an Geschmack und Nährwerten), nicht zum Einfrieren frischer Lebensmittel.
4	Gefrierfach ☆☆	≤-12	Meeresfrüchte (Fisch, Garnelen, Muscheln), Süßwasserfische und Fleischprodukte (möglichst maximal 2 Monate, je länger die Lagerzeit, desto mehr verliert das Produkt an Geschmack und Nährwerten), nicht geeignet zum Einfrieren frischer Lebensmittel.
5	Gefrierfach ☆	≤-6	Meeresfrüchte (Fisch, Garnelen, Muscheln), Süßwasserfische und Fleischprodukte (möglichst maximal 1 Monat - je länger die Lagerzeit, desto mehr verliert das Produkt an Geschmack und Nährwerten), nicht geeignet zum Einfrieren frischer Lebensmittel.
6	Fach ohne Stern	-6≤0	Frisches Schweinefleisch, Rindfleisch, Fisch, Hähnchen, bestimmte verpackte verarbeitete Produkte, usw. (am besten noch am selben Tag und maximal innerhalb von 3 Tagen verzehren). Teilweise verpackte verarbeitete Produkte (nicht zum Einfrieren geeignete Produkte)

7	Kühlfach	2≤+3	Frisches/eingefrorenes Schweinefleisch, Rindfleisch, Hähnchen, Süßwasserfische etc. (7 Tage später 0°C, bei über 0°C am besten selben Tag und maximal innerhalb von 2 Tagen verzehren). Meeresfrüchte (unter 0°C für 15 Tage, nicht bei Temperaturen über 0°C lagern)
8	Fach für die Aufbewahrung von frischen Lebensmitteln	0≤+4	Frisches Schweinefleisch, Rindfleisch, Fisch, Hähnchen, gekochte Produkte etc. (am besten am selben Tag und maximal innerhalb von 3 Tagen verzehren).
9	Weinfach	+5≤+20	Rot- und Weißwein, Sekt etc.

- Hinweis: lagern Sie die Produkte gemäß den Anweisungen für die Fächer oder gemäß den Lagertemperaturen für die Produkte.
- Wenn der Produkt über längere Zeit nicht benutzt wird und leer steht, müssen Sie ihn abschalten, abtauen, auswaschen, trocknen und die Tür offen lassen, damit sich im Inneren kein Schimmel bildet.
- Reinigung des Wasserspenders (bei Produkten mit Wasserspender): Reinigen Sie die Wasserbehälter, wenn sie über 48 Stunden nicht benutzt wurden; wenn das Wasser 5 Tage lang nicht abgelassen wurde, spülen Sie die an das Wasserleitungsnetz angeschlossene Anlage aus.
- Der Mindestzeitraum, für den zur Reparatur des Geräts erforderlichen Ersatzteile erhältlich sind, beträgt je nach Art und Zweck des Ersatzteils 7 oder 10 Jahre und entspricht der Verordnung (EU) 2019/2019 der Kommission.
- Die Ersatzteilliste und das Bestellverfahren finden Sie auf den Websites des Herstellers, des Einführers und des Vertragshändlers.
- Weitere Informationen über das Produkt bietet die EU-Produktdatenbank EPREL auf der Website <https://eprel.ec.europa.eu>. Sie finden die Informationen, indem Sie den QR-Code auf dem Energieetikett scannen oder das auf dem Energieetikett angegebene Produktmodell in die EPREL-Suchmaschine auf der Website <https://eprel.ec.europa.eu/> eingeben.

INBETRIEBNAHME UND BETRIEBSBEDINGUNGEN DES GERÄTES

Dieser Kühlgerät ist nicht für den Einbau bestimmt.

Vorbereitung für den ersten Betrieb

- Das Gerät auspacken. Klebebänder entfernen. Eventuell verbliebene Kleberreste können mit einem milden Reinigungsmittel beseitigt werden.
- Die aus geschäumtem Polystyrol hergestellten Verpackungsteile nicht wegwerfen. Falls sich ein erneuter Gerätetransport als notwendig erweist, ist das Gerät mit Hilfe dieser Polystyrolelemente und der Folie einzupacken und mit einem Klebeband zu sichern.
- Das Innere des Gerätes und seine Ausstattungselemente mit lauwarmem Wasser unter Zusatz eines Geschirrspülmittels abwaschen und trocknen lassen.
- Das Gerät auf einem ebenen, horizontalen und stabilen Grund in einem trockenen und belüftbaren Raum aufstellen. Nicht direkter Sonnenbestrahlung aussetzen. Nicht in der Nähe von Wärmequellen wie Herde Heizkörper, Zentralheizung oder Heisswasser-Anlagen aufstellen.
- Entfernen Sie vor Inbetriebnahme des Geräts die Schutzfolie.
- Das Gerät sollte möglichst eben aufgestellt werden – Unterschiede können dank der höhenverstellbaren Füße ausgeglichen werden (Abb. 3).
- Damit freies Öffnen der Tür sichergestellt werden kann, wurde die Entfernung zwischen der Seitenwand des Gerätes (auf der Seite der Scharniere) und der Raumwand in der Abbildung 5 dargestellt.*
- Der Aufstellungsraum muss stets gut belüftet sein. (Abb. 6).*

Mindestabstände zu Wärmequellen

- zu Elektro- oder Gasherde u.ä. : 3 cm,
- zu Öl- oder Kohlebeistellherde : 30 cm,
- zu Einbaubacköfen - 5 cm

Wenn die oben genannten Mindestabstände nicht eingehalten werden können, muss eine geeignete Isolierplatte zur Reflexion der Wärmestrahlung verwendet werden.

Achtung:

- Die hintere Wand, insbesondere der Verdampfer und die Kühlsystembaugruppe, dürfen nicht mit den Rohren der Zentralheizung und eines Abflusssystems in Berührung kommen.
- Eine Manipulation des Kältemittelkreislaufs ist verboten.. Es ist darauf zu achten, dass das Kapillarrohr, das sich im Hohlraum der Kältemaschine befindet, nicht beschädigt wird. Dieses Rohr darf weder gebogen noch geknickt werden.
- Falls der Benutzer das Kapillarrohr beschädigt, verliert er seine Garantieansprüche. (Abb. 8).

- Der Türgriff befindet sich bei einigen Modellen im Innern des Geräts und muss noch montiert werden.

Elektrischer Anschluss

- Vor Inbetriebnahme des Geräts stellen Sie die Temperaturregelung auf „OFF“ oder in eine Position, die das Gerät vom Stromnetz trennt (s. Steuerungsbeschreibung)
- Das Gerät ist an eine 230V / 50 Hz Wechselstromleitung über eine vorschriftsmäßig installierte, geerdete und durch eine 10A –Sicherung geschützte Steckdose anzuschließen.
- Das Gerät erfüllt die VDE – Norm. Der Hersteller lehnt jede Haftung für eventuell entstandene Schäden ab, deren Ursachen auf das Nichtbefolgen dieser Vorschrift zurückzuführen sind.
- Keine Adapter, Mehrfachstecker oder zweiadrige Verlängerungskabel ohne Nullleiter verwenden. Sollte ein Verlängerungskabel nötig sein, muss es der VDE/GS – Norm entsprechen.
- Verlängerungsschnur verwendet wird, muss sich die Steckdose in einem sicheren Abstand zu Amaturen mit fließendem Wasser befinden.
- Die Daten auf dem Typenschild, das im Inneren des Produkts angebracht ist, sind unbedingt zu beachten**.

Gerät vom Stromnetz trennen

Das Gerät muss problemlos vom Stromnetz zu trennen sein, indem man den Stecker herauszieht oder den zweipoligen Schalter betätigt. (Abb. 9).

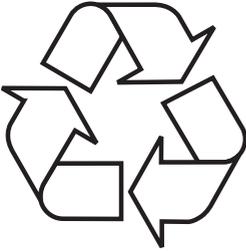
KLIMAKLASSE

Die Information über die Klimaklasse des Gerätes befindet sich auf dem Typenschild. Sie zeigt, in welcher Umgebungstemperatur (d.h. Temperatur des Raumes, in dem das Gerät betrieben wird) das Gerät optimal funktioniert.

Klimaklasse		Zulässige Umgebungstemperatur
SN	subnormal	Das Kühlgerät ist für Umgebungstemperaturen von 10 °C bis 32 °C geeignet.
N	normal	Das Kühlgerät ist für Umgebungstemperaturen von 16 °C bis 32 °C geeignet.
ST	subtropisch	Das Kühlgerät ist für Umgebungstemperaturen von 16 °C bis 38 °C geeignet.
T	tropisch	Das Kühlgerät ist für Umgebungstemperaturen von 16 °C bis 43 °C geeignet.

* Gilt nicht für Einbau-Geräte
 ** Modell abhängig

AUSPACKEN



Das Gerät wird gegen Transportschäden geschützt. Nach dem Auspacken sind die Verpackungsmaterialien so zu entsorgen, dass dadurch kein Risiko für die Umwelt entsteht. Alle Materialien, die zur Verpackung

verwendet werden, sind umweltverträglich, können hundertprozentig wiederverwertet werden und sind mit entsprechendem Symbol gekennzeichnet. Hinweis! Die Verpackungsmaterialien (Polyethylenbeutel, Styroporstücke usw.) sind beim Auspacken außer Kinderreichweite zu halten.

ENTSORGUNG VON ALTGERÄTEN



Dieses Gerät wurde gemäß der Europäischen Richtlinie 2012/19/EG. Eine solche Kennzeichnung informiert darüber, dass dieses Gerät nach dem Ablauf des Nutzungszeitraumes nicht zusammen mit anderen Hausabfällen gelagert werden darf.

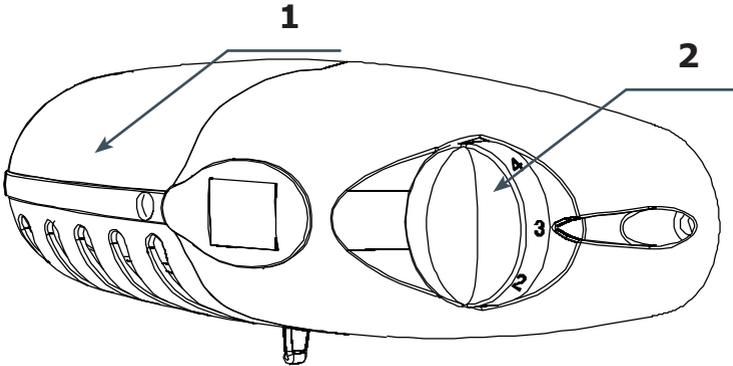
Der Benutzer ist verpflichtet, das Gerät an einem Sammelpunkt für verschlissene elektrische und elektronische Geräte abzugeben. Die die Sammlung durchführenden Einheiten, darunter lokale Sammelpunkte, Geschäfte und gemeindeeigene Einheiten, bilden ein entsprechendes System, welches die Abgabe dieses Gerätes ermöglicht.

Die richtige Vorgehensweise mit Elektro- und Elektronikschrott trägt zur Verhinderung schädlicher Folgen für die menschliche Gesundheit und die natürliche Umwelt bei, die aus der Anwesenheit von Schadstoffen sowie einer falschen Lagerung und Weiterverarbeitung solcher Materialien folgen.

STEUERUNG

Steuerung des Gerätes

Das Bedienfeld ist in Abbildung 10 dargestellt, zur Erinnerung ist es ebenfalls unten abgebildet:



- 1 - Lichtquellen
2 - Thermostat

Einstellung der Temperatur im Gerät

Durch die Änderung der Position des Drehreglers erfolgt die Änderung der Temperatur im Gerät:

Position OFF/0 Das Gerät ist ausgeschaltet.

Position 1 Im Gerät herrscht die höchste Temperatur (im Inneren ist es wärmer)

Positionen 2-6 Im Gerät herrscht eine mittlere Temperatur.

Position 7 Im Gerät herrscht die niedrigste Temperatur (im Inneren ist es kälter)

Achtung:

- Der Drehregler des Thermostats in Ihrem Gerät kann anders skaliert werden, als es nachfolgend dargestellt wurde. Das allgemeine Funktionsprinzip wurde vorstehend geschildert.
- Ist die Position „OFF“ oder „0“ in Ihrem Gerät nicht vorhanden, ist die Ausschaltung des Gerätes durch Trennen des Gerätes von der Stromversorgung (Ziehen des Steckers) möglich. Vor Abschalten den niedrigsten Wert im Thermostat einstellen.

Weitere Informationen zur Temperatur

- Die Temperatur im Gerät wird von vielen Faktoren abhängig. Die Stellung des Drehreglers ist unter anderem von der Umgebungstemperatur, Grad der Sonneneinwirkung, Häufigkeit des Öffnens der Tür und des Gerätes, Menge der Lebensmittel abhängig. In den meisten Fällen ist die Stellung der Drehreglers in der Mitte optimal.
- Den Kühl- und Gefrierraum frühestens 4 Stunden nach Inbetriebnahme des Gerätes füllen.
- Eine manuelle Änderung der Innentemperatur auf Grund der Jahreszeit ist nicht nötig. Die Erhöhung der Umgebungstemperatur wird durch den Temperaturfühler erkannt, was eine automatische Inbetriebnahme des Verdichters auslöst und damit die Betriebstemperatur langfristig stabil hält.
- Geringe Temperaturschwankungen sind eine normale Erscheinung die beispielsweise durch die Einlagerung vieler frischer Lebensmittel oder zu langes Öffnen der Tür auftreten können. Der eingestellte Temperaturwert wird üblicherweise schnell wieder erreicht.

BELEUCHTUNG

Dieser Abschnitt gilt für Geräte, die werkseitig mit Glühlampen ausgestattet sind und für ausgewählte Geräte, die mit LED-Leuchten in Form eines Leuchtmittels mit dem E14-Gewinde ausgestattet sind.

Wechsel der Beleuchtung

- Den Drehregler auf „OFF“ stellen und anschließend den Stecker aus der Steckdose ziehen.
- Die Abdeckung der Leuchte ausbauen und herausnehmen (Abb. 18).
- Die Leuchte durch eine funktionierende Leuchte mit identischen Parametern wie die werkseitig im Gerät eingesetzte Leuchte ersetzen (220-240V, max. 10W, Gewinde E14, maximale Größe der Leuchte: Innendurchmesser - 26 mm, Länge - 55 mm).
- Die Abdeckung wieder einsetzen.
- Keine Leuchten mit höherer oder niedrigerer Leistung einsetzen, geeignet sind nur Leuchten mit den vorstehend angegebenen Parametern.

Achtung:

- Das eingesetzte Leuchtmittel ist für die Beleuchtung von Räumen nicht geeignet.
- Ist in der Bedienungsanleitung die Zeichnung Nr. 18 nicht vorhanden, kann der Wechsel der Beleuchtung durch einen qualifizierten Servicetechniker erfolgen.

BEDIENUNG UND FUNKTIONEN

Aufbewahren der Lebensmittel im Kühl- und Gefrierraum

- Die Lebensmittel sollten auf Tellern, in Behältern oder in für Lebensmittel bestimmte Folie verpackt aufbewahrt werden. Sie sind gleichmäßig auf den Abstellflächen zu verteilen.
- Es ist zu beachten, dass die Lebensmittel die hintere Wand nicht berühren, da es sonst zur Reif- oder Feuchtigkeitsbildung auf dem Gefriergut kommen kann.
- Keine heißen Speisen in das Produkt legen.
- Lebensmittel, die leicht fremde Gerüchen annehmen, und solche mit einem starken Eigengeruch sind in den Fächern in Folienverpackung fest verschließbaren Gefäßen aufzubewahren.
- Gemüse mit einem hohen Wassergehalt kann die Freisetzung von Wasserdampf verursachen, der jedoch die Kühlfunktion nicht beeinträchtigt.
- Vor dem Einlegen in den Kühlraum muss das Gemüse gut abgetrocknet werden.
- Ein übermäßiger Wassergehalt im Kühlgut (Blattgemüse) verkürzt die Aufbewahrungszeit.
- Vor dem Einlegen in den Kühlraum darf das Gemüse nicht gewaschen werden, da das Waschen einen natürlichen Schutz beseitigt. Deswegen empfiehlt es sich, das Gemüse erst vor dem Verzehr zu waschen.
- Die Produkte sind in die Körbe 1, 2 und 3* zu legen, bis die natürliche Befüllungsgrenze erreicht ist (Abb. 11a / 11b).**

1. Verpackte Produkte
2. Flaschenablage
3. Natürliche Befüllungsgrenze
4. ❌❌❌

- Die Lagerung von Produkten in den Drahtfächern des Kühlschranks-Verdampfers ist zulässig.*
- Produkte in den einzelnen Fächern dürfen 2 – 3 cm über der Befüllungsgrenze gelagert werden.**
- Um mehr Lagerungsraum im Gefrierfach zu erhalten, kann man die Schubfächer 1 und 2 entfernen und die Produkte in die Metallregale des Verdampfers legen.*

Tiefkühlung der Lebensmittel**

- Fast alle Lebensmittel eignen sich zum Einfrieren, ausgenommen roh zu verzehrendes Gemüse, z.B. Blattsalat.
- Nur hochqualitative Lebensmittel sind zum Einfrieren geeignet. Das Gefriergut sollte kleinportioniert sein.
- Lebensmittel sind in geruchfreies, luft- und feuchtigkeitsdichtes, sowie fett- und laugenunempfindliches Material zu verpacken. Polyethylen- und Aluminiumfolie sind am besten geeignet.
- Die Verpackung muss dicht sein und an dem Gefriergut fest anliegen. Glasbehälter sind nicht zu verwenden.
- Es wird empfohlen, bereits eingefrorene Produkte so zu lagern, dass

** Modell abhängig

sie mit den einzufrierenden, frischen Lebensmitteln keine Berührung haben.

- Es wird empfohlen, die Menge der zum Einfrieren vorgesehenen Frischprodukte entsprechend der technischen Gegebenheiten des Geräts (s. Tabelle) zu berechnen.
- Wir empfehlen, die gefrorenen Portionen auf eine Seite der Gefrierkammer zu schieben und die frischen Portionen auf die andere Seite zu legen.
- Zum Einfrieren der Produkte den mit diesen Zeichen markierten Raum  benutzen.
- Die Temperatur im Gefrierraum ist von folgenden Faktoren abhängig: Außentemperatur, Befüllung des Kühlschranks, häufiges Türenöffnen, Menge des abgelagerten Reifbeschlags und die Einstellung des Thermostaten.
- Lässt sich die Tür nicht sofort nach dem Schließen wieder öffnen, empfiehlt es sich, 1 bis 2 Minuten zu warten, bis sich der entstandene Unterdruck ausgeglichen hat.

Die Aufbewahrungszeit der tiefgekühlten Produkte ist von ihrer Qualität sowie der Aufbewahrungstemperatur abhängig. Bei einer Temperatur von -18°C oder niedriger sollte folgende Aufbewahrungsdauer eingehalten werden:

Produkte	Monate
Rindfleisch	6-8
Kalbsfleisch	3-6
Innereien	1-2
Schweinefleisch	3-6
Geflügel	6-8
Eier	3-6
Fisch	3-6
Gemüse	10-12
Obst	10-12

Das Schnellgefrierfach ist fürs Aufbewahren tiefgefrorener Lebensmittel nicht geeignet. In diesem Fach können Eiswürfel hergestellt und aufbewahrt werden.

Hinweis: Wenn das Gerät kein Gefrierfach  besitzt, bedeutet das, dass der Produkt nicht zum Einfrieren von  Lebensmitteln geeignet ist.

* Gilt für Geräte mit einem Gefrierfach im unteren Bereich des Gerätes.

** Gilt für Geräte mit einem Gefrierfach 

*** Gilt nicht für Geräte mit einem Gefrierfach gekennzeichnet mit 

ENERGIESPARENDE NUTZUNG DES PRODUKTS

Praktische Ratschläge

- Tiefkühltruhe nicht in der Nähe von Heizkörpern oder Backöfen aufstellen und nicht direkter Sonneneinstrahlung aussetzen.
- Sicherstellen, dass die Belüftungsöffnungen nicht verdeckt sind. Ein- bis zweimal pro Jahr sind die Belüftungsöffnungen von Staub zu reinigen.
- Die richtige Temperatur einstellen: Eine Temperatur von 6 bis 8°C im Kühlschrank und -18°C im Tiefkühlfach sind ausreichend.
- Bei längerer Abwesenheit, z.B. im Urlaub, ist die Temperatur im Kühlschrank zu erhöhen.
- Ein unnötiges Öffnen der Tür des Kühl- oder Tiefkühlschranks ist zu vermeiden. Unverbrauchte Produkte sind so schnell wie möglich wieder in den Kühl- oder Tiefkühlschrank zurückzulegen, bevor sie sich erwärmen.
- Das Innere des Kühlschranks ist regelmäßig mit einem in Reinigungsmittel getränkten Lappen auszuwischen. Geräte ohne automatische Abtaufunktion müssen regelmäßig abgetaut werden. Die Entstehung einer Eisschicht von mehr als 10 mm muss vermieden werden.
- Die Türdichtung ist sauber zu halten, ansonsten schließt die Tür nicht vollständig. Eine beschädigte Dichtung muss ausgewechselt werden.

Was bedeuten die Sterne?



Bei einer Temperatur von -6°C können tiefgekühlte Lebensmittel ungefähr eine Woche lang aufbewahrt werden.



Bei einer Temperatur von -12°C können Lebensmittel für 1-2 Wochen ohne Geschmacksverlust gelagert werden. Diese Temperatur ist jedoch für das Einfrieren von Lebensmitteln nicht ausreichend.



Zum Einfrieren von Lebensmitteln werden hauptsächlich Temperaturen unter -18°C verwendet. Dies ermöglicht das Einfrieren von frischen Lebensmitteln mit einem Gewicht bis zu 1 kg.



So gekennzeichnete Geräte ermöglichen die Aufbewahrung von Lebensmitteln bei einer Temperatur von unter -18°C und das Einfrieren größerer Mengen an Lebensmitteln.

Zonen im Produkt

Aufgrund der natürlichen Luftzirkulation entstehen im Kühlschrank unterschiedliche Temperaturzonen.

- Der kühlfte Bereich befindet sich direkt oberhalb der Gemüsefächer. In dieser Zone sind empfindliche und leicht verderbliche Lebensmittel aufzubewahren, wie:
 - Fisch, Fleisch, Geflügel
 - Aufschnitt, Fertiggerichte
 - ei- oder sänehaltige Gerichte
 - frischer Kuchen, verschiedene Kuchensorten,
 - verpacktes Gemüse und andere frische Lebensmittel, deren Etikett eine Lagerung bei einer Temperatur von ca. 4°C vorschreibt.
- Im oberen Teil der Tür herrscht die höchste Temperatur. Hier sollte am besten Butter und Käse aufbewahrt werden.

Produkte, die nicht im Produkt aufbewahrt werden sollten.

- Nicht alle Produkte eignen sich zur Aufbewahrung im Kühlschrank. Zu ihnen gehören:
 - Gegen tiefe Temperaturen empfindliches Obst und Gemüse, wie zum Beispiel Bananen, Avocados, Papayas, Maracujas, Zucchini, Paprika, Tomaten und Gurken.
 - Unreife Früchte
 - Kartoffeln.

Achtung:

Beispiel für die Lagerung von Lebensmitteln im Gerät (Abb. 12)

Damit sich die Lebensmittel so gut und so lange wie möglich halten und nicht verderben, sollten sie wie in Abb. 12 gezeigt im Kühlschrank untergebracht werden. Die Abbildung zeigt außerdem die beste Anordnung der Schubladen, Körbe und Fachböden im Hinblick auf einen möglichst effektiven Energieverbrauch des Geräts.

Durch die Aufbewahrung der Lebensmittel bei geeigneten Bedingungen und Temperaturen halten sich die Lebensmittel länger, und der Stromverbrauch wird optimiert. Auf den Verpackungen oder Etiketten der Lebensmittel ist normalerweise angegeben, bei welchen Temperaturen sie aufbewahrt werden sollten.

ABTAUEN, REINIGEN UND PFLEGEN

Zum Reinigen des Gehäuses und der Kunststoffteile des Erzeugnisses keine Lösungsmittel sowie scharfe und Scheuerreinigungsmittel anwenden (z.B. Reinigungsmittel - bzw. -Milch)! Nur delikate flüssige Mittel und weiche Tücher verwenden. Keine Schwämme verwenden.

Abtauen des Kühlraumes***

- An der hinteren Kühlraumwand lagert sich Reif ab, der automatisch abgetaut wird. Beim Abtauen können mit den Kondensattropfen auch Verunreinigungen in die Trichteröffnung der Rinne gelangen und dadurch die Ablassöffnung verstopfen. Um dies zu verhindern, sollte diese mit Hilfe des mitgelieferten Reinigungsinstruments vorsichtig durchstochen werden (Abb.13)
- Das Gerät arbeitet zyklisch: Während des Kühlprozesses lagert sich an der hinteren Wand ein Reifbeschlag ab. Dieser wird abgetaut, das Wasser sammelt sich in der Auffangvorrichtung.
- Vor dem Reinigen sollte das Gerät durch das Herausziehen des Steckers aus der Steckdose, durch das Ausschalten oder durch das Herausnehmen der Sicherung vom Stromnetz getrennt werden. Nicht zulassen, dass das Wasser in die Bedienblende oder Beleuchtung gelangt.
- Wir empfehlen, keine Auftaumittel in Sprayform zu verwenden. Sie können die Entstehung von explosiven Aerosolen verursachen. Lösungsmittel, die die Plastikteile des Gerätes schädigen, enthalten oft auch gesundheitsgefährdende Substanzen.
- Kein Reinigungswasser darf durch die Ablassöffnung in den Abdampfbehälter gelangen.
- Das gesamte Gerät, ausgenommen die Türdichtung, sollte mit einem milden Reinigungsmittel gereinigt werden. Die Türdichtung nur mit klarem Wasser abwischen und trocknen lassen.
- Alle Ausstattungselemente sollen sorgfältig gereinigt werden (Obst- und Gemüsefach, Türfächer, Glasplatten, usw.).

Abtauen des Gefrierraumes**

- Es wird empfohlen, das Gerät regelmäßig abzutauen und zu reinigen.
- Eisablagerungen an den Gefrierflächen vermindern die Effizienz des Gerätes und bewirken eine Steigerung des Energieverbrauchs.
- Es empfiehlt sich, das Gefriergerät mindestens ein- oder zweimal im Jahr abzutauen. Sollte sich mehr Eis bilden, sollte man das Auftauen öfter durchführen.
- Befinden sich Lebensmittel im Gefrierraum, so ist der Temperaturregler 4 Stunden vor dem geplanten Abtauen auf „max.“ zu stellen. Dadurch wird die Aufbewahrung des Gefrierguts bei Raumtemperatur während einer längeren Zeit möglich.
- Das Gefriergut aus dem Gefrierraum herausnehmen, in eine Schüssel legen, mit einigen Schichten Zeitungspapier und einer Woldecke umwickeln und an einer kühlen Stelle aufbewahren.
- Das Abtauen sollte möglichst schnell erfolgen. Wenn die Lebensmittel über einen längeren Zeitraum bei Raumtemperatur aufbewahrt werden, verkürzt sich ihre Haltbarkeit

Abtauendes Gefriertraumes:**

- Schalten Sie das Gerät mit dem Steuerungspaneel ab und anschließend ziehen Sie den Netzstecker aus der Steckdose.
- Die Tür öffnen, die Produkte herausnehmen.
- Je nach dem Modell ziehen Sie den Abflusskanal im hinteren Bereich des Kühlgerätes und stellen Sie ein Gefäß darunter.
- Lassen Sie die Tür offen, dadurch erfolgt das Auftauen schneller. In die Kammer des Gefriergerätes kann zusätzlich ein Gefäß mit heißem (aber nicht kochendem) Wasser gestellt werden.
- Das Geräte innere auswischen und trocknen lassen.
- Das Gerät gemäß entsprechendem Kapitel der Gebrauchsanweisung wieder einschalten.

Automatische Abtaung des Kühlraumes****

Der Kühlraum ist mit einer automatischen Abtaufunktion ausgestattet. An der hinteren Kühlraumwand kann sich jedoch ein Reifbeslag ablagern. Es kommt vor allem vor, wenn im Kühlraum viele frische Lebensmittel aufbewahrt werden.

Automatische Abtaung des Gefriertraumes****

Der Kühlraum ist mit einer automatischen No-Frost-Abtaufunktion ausgestattet. Die Lebensmittel werden durch die gekühlte Umluft eingefroren, die Feuchtigkeit wird aus dem Gefriertraum nach Außen abgeführt. Im Gefriertraum entsteht daher kein Eis- und Reifbeslag und die Lebensmittel frieren nicht fest.

Reinigen des Kühl- und Gefriertraumes****

Es empfiehlt sich das Kühl- und Gefriertraum mindestens einmal im Jahr zu waschen.

Es wirkt vorbeugend gegen die Entstehung unangenehmer Gerüche sowie der Bakterien. Das Gerät durch das drücken des Knopfes „1“ ausschalten, die Lebensmittel herausnehmen und das Gerät mit einem milden. Reinigungsmittel waschen und trocknen lassen.

Einbau und Ausbau der Abstellplatten *****

Abstellplatte herausnehmen und anschließend an der gewünschten Stelle bis zum Widerstand einschieben, so dass sich der Schnappverschluss in der Führungsleiste befindet (Abb. 15).

Einbau und Ausbau der Türfächer *****

Türfach anheben, herausziehen und von oben in die gewünschte Position einlegen (Abb. 16).

Auf keinen Fall dürfen im Inneren des Gefriertraumes elektrische Heizkörper, Heißluftgebläse oder Haartrockner eingesetzt werden.

** Gilt für Geräte mit einem Gefrierfach ****.

*** Gilt nicht für Geräte mit dem Frostfrei-System

Gilt für Geräte mit einem Kühlbereich.

**** Gilt nicht für Geräte mit dem Frostfrei-System

Gilt für Geräte mit dem Frostfrei-System

***** Gilt nicht für Gefriergeräte

LOKALISIERUNG VON STÖRUNGEN

Störung	Mögliche Ursachen	Behebung
Das Gerät funktioniert nicht	Unterbrechung im Stromkreis	<ul style="list-style-type: none"> - Überprüfen, ob der Netzstecker gut in der Steckdose des Speisernetzes sitzt. - Überprüfen, ob das Anschlußkabel nicht beschädigt ist. - Durch Anschließen eines anderen elektrischen Verbrauchers (z.B. einer Nachttischlampe) überprüfen, ob die Steckdose unter Spannung steht. - Überprüfen Sie, ob das Gerät eingeschaltet ist (Thermostat in Betriebsstellung). - Vorerst den vorherigen Punkt überprüfen (das Gerät funktioniert nicht - die Glühlampe festdrehen oder auswechseln (in Geräten mit Glühlampen)
Innenbeleuchtung funktioniert nicht	Die Glühlampe ist gelöst oder durchgebrannt (in Geräten mit Glühlampen)	<ul style="list-style-type: none"> - einen niedrigeren Wert einstellen
Das Gerät ist ununterbrochen in Betrieb	<p>Falsche Temperatureinstellung</p> <p>Andere Ursachen wie unter Punkt "Die Innenraumtemperatur ist nicht kalt genug"</p>	<ul style="list-style-type: none"> - befolgen Sie die Anweisungen unter Punkt "Die Temperatur in den Räumen ist nicht niedrig genug"
Im unterem Teil des Kühlraumes sammelt sich Wasser	<p>Die Ablassöffnung ist verstopft (betrifft Geräte mit Entwässerungsöffnung)</p> <p>Eine freie Luftzirkulation im Kühlraum ist nicht möglich</p>	<ul style="list-style-type: none"> - Mit Hilfe des Reinigungsstöpsels die Ablassöffnung durchstechen (siehe Gebrauchsanweisung, Kapite - Die Lebensmittel und Behälter von der Hinterwand wegrücken.
Es treten für das Gerät ungewöhnliche Geräusche auf	<p>Das Gerät ist nicht eben ausgerichtet</p> <p>Das Gerät kommt mit Möbeln oder anderen Gegenständen in Berührung</p>	<ul style="list-style-type: none"> - Das Gerät ausrichten. - Das Gerät frei aufstellen, so daß es keine andere Gegenstände berührt.

Störung	Mögliche Ursachen	Behebung
Die Temperatur in den Räumern ist nicht niedrig genug	Falsche Temperatur-einstellung	-Einen höheren Wert einstellen
	Höhere oder niedrigere Umgebungstemperatur als in den technischen Daten (s.Tabelle) angegeben	- Das Gerät ist angepasst an die Temperatur, die in den technischen Daten (s.Tabelle) angegeben ist
	Das Gerät steht an einer direkt von der Sonne bestrahlten Stelle oder neben einer Wärmequelle	- Das Gerät an einer anderen Stelle gemäß Gebrauchsanweisung aufstellen. - Warten Sie bis zu 72 Stunden , bis die Lebensmittel eingefroren sind und die erwünschte Temperatur im Kühlraum erreicht ist.
	Es wurde eine zu große Menge von warmen Lebensmitteln auf einmal eingelagert	- Die Lebensmittel und Behälter von der Hinterwand abrücken
	Keine freie Luftzirkulation im Kühlraum	- Das Gerät mindestens 3 cm von der Wand wegrücken.
	Der Luftfluß hinter dem Gerät ist blockiert	Beides muss unbedingt vermieden werden
	Die Kühlraum-/ Gefrierraumtür wird zu oft geöffnet und/oder bleibt zu lange offen	Die Lebensmittel und Behälter anders platzieren - prüfen, ob die Umgebungstemperatur nicht niedriger ist als der Klimaklasse des Gerätes entspricht
	Die Tür lässt sich nicht schließen	- Die Türdichtung einpressen
Der Verdichter schaltet selten an		
Die Türdichtung wurde falsch angebracht		

Beim normalen Betreiben der Kälteanlagen können Geräusche unterschiedlicher Art auftreten, die keinen Einfluss auf den Betrieb des Produkts haben.

Geräusche, die leicht zu beheben sind:

- Lautes Betriebsgeräusch , wenn der Produkt nicht senkrecht steht – Stellung durch die Stellschrauben vorne verändern. Eventuell unter die Rollen hinten weichen Stoff legen, vor allem, wenn das Gerät auf einem Fliesenboden steht.
- Reibung an benachbarte Möbel – Produkt abrücken, so dass er frei steht.
- Quietschen von Fächern und Schubladen – Fach oder Schublade herausnehmen und wieder einschieben.
- Geräusche von sich berührenden Flaschen – Flaschen voneinander verschieben.

Geräusche, die bei normalem Betrieb zu hören sind, entstehen durch den Thermostaten, wenn sich der Kompressor einschaltet, sich das Kühlsystem zusammenzieht oder ausdehnt und wenn Temperaturschwankungen aufgrund des Durchflusses von Kühlmittel in den Röhren entstehen.

Vážený kliente,

počínaje dnešním dnem jsou každodenní povinnosti jednodušší než kdykoli jindy. Zařízení **Amica** je spojením výjimečně snadné obsluhy a vynikající efektivity. Po přečtení návodu nebudete mít problém s obsluhou.

Zařízení, které opustilo továrnu, bylo důkladně zkontrolováno před zabalením z hlediska bezpečnosti a funkčnosti na kontrolních stanovištích.

Před uvedením zařízení do provozu si pozorně přečtěte návod k obsluze. Dodržováním pokynů uvedených v návodu předejdete nesprávnému používání. Návod si ponechte a uschovejte tak, abyste jej měli vždy při ruce.

Dodržujte přesně návod k obsluze, abyste zabránili nešťastným událostem.

S úctou

Amica

POKYNY TÝKAJÍCÍ SE BEZPEČNOSTI POUŽÍVÁNÍ

- Příklad je určen výhradně pro domácí použití.
- Výrobce si vyhrazuje možnost provádění změn neovlivňujících fungování spotřebiče.
- Některé zápisy v tomto návodu jsou sjednocené pro chladicí spotřebiče různých typů, (pro chladničky, chladničky/mrazničky anebo mrazničky. Informace na téma druhu Vašeho spotřebiče se nachází v Technickém listu připojenému k výrobku.
- Výrobce nenese odpovědnost za škody vzniklé nedodržením zásad obsažených v tomto návodu.
- Prosíme o uschování tohoto návodu za účelem jeho využití v budoucnu nebo předání eventuálnímu dalšímu uživateli.
- Tento spotřebič není určen k používání osobami (včetně dětí) s omezenou schopností fyzickou, citovou nebo psychickou a také osobami, které jsou nezkušené a neznalé spotřebiče, ledaže to probíhá pod dohledem nebo podle návodu k obsluze spotřebiče, poskytnutého osobami odpovídajícími za jejich bezpečnost.
- Je třeba věnovat zvláštní pozornost tomu, aby spotřebič nepoužívaly děti ponechané bez dohledu. Je třeba jim zakázat hrát si se spotřebičem. Není jim dovoleno sedat si na výsuvné součásti a zavěšovat se na dveře.
- Chladnička-mraznička funguje správně v okolní teplotě, která je uvedena v tabulce s technickou specifikací. Nepoužívejte ji ve sklepě, síni, a v neohřívané chatě na podzim i v zimě.
- Během umístování, přesouvání, zvedání se nemá chytat za madla dveří, tahat za odpařovací kondenzátor na zadní straně chladničky a také dotýkat kompresorové jednotky.

- Chladnička s mrazničkou se nemá naklánět v úhlu nad 40° od středové osy během přepravy, přenášení nebo umístování. Pokud vznikla taková situace, spotřebič se může zapnout po uplynutí minimálně 2 hodin od jeho umístění (obr. 2).
- Před každou údržbovou činností je třeba vytáhnout zástrčku ze síťové zásuvky. Nemá se tahat za kabel, ale chytat za kostru zástrčky.
- Slyšitelné zvuky jako bublání nebo praskání jsou způsobeny roztahováním a smršťováním součástí v důsledku teplotních změn.
- S ohledem na bezpečnost se spotřebič nemá opravovat svépomocí. Opravy prováděné osobami, které nemají požadované kvalifikace, mohou vytvořit vážné nebezpečí pro uživatele spotřebiče.
- V případě poškození chladicího okruhu je třeba na několik minut vyvětrat místnost, ve které se nachází spotřebič (tato místnost musí mít alespoň 4m³; pro spotřebič s izobutanem /R600a).
- Výrobky, i když jen částečně rozmrazené, nelze znovu zmrazovat.
- Nápoje v lahvích a plechovkách, zejména nápoje sycené oxidem uhličitým, se nemají uchovávat v mrazicím prostoru mrazničky. Plechovky a lahve mohou popraskat.
- Nemají se dávat do úst zmrazené výrobky ihned po vyjmutí z mrazničky (zmrzlina, kostky ledu, atp.), jejich nízká teplota může způsobit bolestivé omrzliny.
- Je třeba dávat pozor, aby nedošlo k poškození chladicího okruhu, např. napíchnutí kanálků kondenzátu na výparníku, zalomení trubek. Vstříkané chladicí médium je hořlavé. V případě vniknutí do očí je třeba vypláchnout je vodou a ihned přivolat lékaře.
- Jestliže bude napájecí vodič poškozený, musí být vyměněný v specializovaném opravářském podniku.

- Spotřebič slouží k přechovávání potravin, nepoužívejte ho k jiným cílům.
- Spotřebič úplně odpojte od napájení (vytáhnutím zástrčky ze síťové zásuvky) v případě provádění takových činností, jakými jsou čištění, údržba anebo změna místa ustavení
- To zařízení může být používané dětmi ve věku 8 let a staršími, osoby s omezenými fyzickými anebo mentálními schopnostmi, jak rovněž osoby bez zkušenosti a bez znalosti zařízení mohou konvici používat, pokud jsou dozorované anebo byly instruované ohledně obsluhy zařízení bezpečným způsobem a znají ohrožení spojené s používáním zařízení. Děti si nemohou se zařízením hrát. Čištění a konzervace zařízení nemůže být vykonávaná dětmi, ledaže skončily 8 let a mají dohled zodpovědné osoby.
- Pro získání více místa v mrazničce, je možné z ní vyjmout zásuvky a umísťovat produkty bezprostředně na policích. Neovlivňuje to termickou a mechanickou charakteristiku výrobku. Určený obsah mrazničky byl vypočítaný s vyjmutými zásuvkami.



VÝSTRAHA: Nebezpečí požáru / hořlavé materiály

- Děti ve věku od 3 do 8 let mohou vkládat a vykládat produkty s chladicího zařízení.

Aby nedošlo ke kontaminaci potravin je nutné dodržovat následující pravidla:

- Otevírání dveří na delší dobu, může způsobit značné zvýšení teploty v prostorách zařízení.
- Pravidelné čištění povrchů, které přicházejí do styku s potravinami a v závislosti na přítomnosti dostupné odvodňovací instalace.

- Uchovávat syrové maso a ryby ve vhodných nádobách v lednici, aby nepřišly do styku s ostatními potravinami a nekapalo z nich na jiné potraviny.
- Dvuhvězdičkové prostostory mrazničky slouží k uchovávání dříve zmražených potravin, přechovávání nebo mražení zmrzliny anebo mražení kostek ledu.
- Jednohvězdičkové, dvuhvězdičkové a tříhvězdičkové prostory, neslouží k mražení čerstvých potravin.

	Druhy prostorů	Koncová teplota uchovávání [°C]	Vhodné potraviny
1	Chladnička	+2≤+8	Vajíčka, vařené potraviny, zabalené potraviny, ovoce a zelenina, mléčné výrobky, moučníky, nápoje a jiné produkty, které nejsou vhodné k mražení.
2	Mraznička ❄️***	≤-18	Mořské plody (ryby, krevety, měkkýše), sladkovodní produkty a masné výrobky (doporučeno 3 měsíce, čím delší doba uskladnění, tím méně chutný a výživný bude produkt), vhodné na mražené čerstvé produkty.
3	Mraznička ❄️**	≤-18	Mořské plody (ryby, krevety, měkkýše), sladkovodní produkty a masné výrobky (doporučeno 3 měsíce, čím delší doba uskladnění, tím méně chutný a výživný bude produkt), nevhodné na mražené čerstvé produkty.
4	Mraznička	≤-12	Mořské plody (ryby, krevety, měkkýše), sladkovodní produkty a masné výrobky (doporučeno 2 měsíce, čím delší doba uskladnění, tím méně chutný a výživný bude produkt), nevhodné na mražené čerstvé produkty.
5	Mraznička ❄️	≤-6	Mořské plody (ryby, krevety, měkkýše), sladkovodní produkty a masné výrobky (doporučeno 1 měsíc, čím delší doba uskladnění, tím méně chutný a výživný bude produkt), nevhodné na mražené čerstvé produkty.
6	Bezhvězdičkový prostor	-6≤0	Čerstvé vepřové maso, hovězí maso, ryby, kuřecí maso, některé balené zpracované produkty, atd. (doporučená spotřeba, ve stejný den, nejlépe nejpozději do maximálně 3 dnů). Částečně balené a zpracované produkty (produkty, které nejsou vhodné k mražení)

7	Chladicí prostor	2≤+3	Čerstvé/mražené vepřové maso, hovězí maso, kuřecí maso, sladkovodní produkty, atd. (7 dnů pod 0°C, nad 0°C doporučena je spotřeba toho samého dne, nejlépe maximálně v průběhu 2 dnů). Mořské plody (pod 0°C po dobu 15 dní, nedoporučuje se uchovávání v teplotě nad 0°C)
8	Prostor k uchování čerstvých potravin	0≤+4	Čerstvé vepřové maso, hovězí maso, ryby, kuřecí maso, vařené produkty, atd. (doporučena spotřeba, ve stejný den, nejlépe nejpozději do maximálně 3 dnů).
9	Prostor k uchování vína	+5≤+20	Červené, bílé, perlivé víno atd.

- **Upozornění:** je nutné uchovávat produkty shodně s doporučením pro prostory, nebo dle teploty uchovávání produktů.
- Pokud chladicí zařízení nebude využíváno a bude prázdné po delší dobu, je nutno ho vypnout, rozmrazit, umýt, vysušit a ponechat s otevřenými dveřmi, aby předejít plísním uvnitř zařízení.
- Čištění dávkovače vody (pro produkty s dávkovačem vody): Vyčistit nádoby na vodu pokud nebyly používány přes 48 hodin; pokud voda nebyla vypuštěna přes 5 dní, opláchnout vodní instalace připojenou k vodovodní síti.
- Minimální období, v němž jsou dostupné náhradní díly potřebné na opravu spotřebiče, činí 7 nebo 10 let podle druhu a určení náhradního dílu a je v souladu s Nařízením komise (EU) 2019/2019.
- Seznam náhradních dílů a procedura objednávání jsou k dispozici na webových stránkách výrobce, dovozce nebo oprávněného zástupce.
- Další informace o výrobku se nacházejí v unijní databázi výrobků EPREL na adrese <https://eprel.ec.europa.eu>. Informace lze získat načtením QR kódu z energetického štítku nebo zadáním modelu výrobku z energetického štítku do vyhledávače EPREL <https://eprel.ec.europa.eu/>

INSTALACE A PROVOZNÍ PODMÍNKY SPOTŘEBIČE

Toto chladicí zařízení není určeno k provozu jako vestavné.

Instalace před prvním spuštěním

- Výrobek je třeba rozbalit, odstranit lepicí pásky zajišťující dveře a vybavení. Eventuální zbytky lepidla je možno odstranit jemným čisticím prostředkem.
- Polystyrénové části obalu se nemají vyhazovat. V nutném případě opětovného převozu je třeba chladničku s mrazničkou zabalit do částipolystyrénu a fólie a také zajistit lepicí páskou.
- Vnitřní prostor spotřebiče a také součásti vybavení je třeba vymýt vlažnou vodou s přísadkou.
- Chladničku s mrazničkou je třeba umístit na rovný, vodorovný a stabilní podklad, do suché, větrané místnosti, kde nesvítí slunce, v pozadí od tepelných zdrojů takových jako kuchyň, radiátor ústředního topení, trubka ústředního topení, rozvod teplé vody atp.
- Na vnějším povrchu výrobku se může nacházet ochranná folie, kterou je zapotřebí odstranit.
- Vodorovné ustavení spotřebiče je třeba upravit zašroubováním 2 nastavitelných předních nožek (obr. 3)
- Pro zabezpečení svobodného otevírání dvířek, je vzdálenost mezi boční stranou výrobku (ze strany závěsu dvířek), a stěnou místnosti představena na výkresu obr. 5.*
- Je třeba se postarat o vhodnou ventilaci místnosti a dostatečnou cirkulaci vzduchu v prostoru okolo spotřebiče (obr. 6).*

Minimální vzdálenosti od tepelných zdrojů

- od elektrických, plynových sporáků a jiných - 30 mm,
- od plynových nebo uhelných kotlů - 300 mm,
- od vestavených trub - 50 mm

Pokud není možné dodržení výše stanovených vzdáleností, je třeba použít vhodnou izolační desku.

Pozor:

- Zadní stěna chladničky a zejména kondenzátor a jiné součásti chladičského oběhu se nemohou dotýkat jiných součástí, které mohou způsobit poškození, zvláště (s trubicí CO a přivádějíci vodu).
- Není přípustná jakákoliv manipulace se součástmi agregátu. Je třeba věnovat mimořádnou pozornost tomu, aby nedošlo k poškození kapilární trubky, která je viditelná v kompresorovém prostoru. Tato trubka nemůže být ohýbána, narovnána ani kroucena.
- Poškození kapilární trubky uživatelem způsobuje ztrátu nároků vyplývajících ze záruky (obr. 8).
- Ve vybraných modelech se uchytí dvířek nachází uvnitř výrobku a je nutné ho přišroubovat vlastním šroubovákem.

Připojení napájení

- Před připojením se doporučuje nastavit otáčecí kolečko regulátoru teploty do polohy „OFF“ anebo jiné, způsobující odpojení spotřebiče od napájení (viz strana s popisem ovládání).
- Spotřebič je třeba připojit k síti střídavého proudu 220-240V/ 50Hz- správně zapojenou elektrickou zásuvkou s uzemněním a jištěnou 10 A pojistkou.
- Uzemnění spotřebiče je vyžadováno právními předpisy. Výrobce se zříká jakékoliv odpovědnosti z titulu eventuálních škod, které mohou utrpět osoby nebo předměty v důsledku nesplnění povinností stanovených tímto předpisem.
- Nesmí se používat spojovací články, několikanásobné zásuvky (rozváděče), dvouzilové prodlužovací kabely. Pokud je nutné použití prodlužovacího kabelu, může to být pouze prodlužovací kabel s ochranným kolíkem, jednozásuvkový, který má bezpečnostní atest VDE/GS,
- Pokud bude použit prodlužovací kabel (s ochranným kolíkem, který má bezpečnostní značku), pak jeho zásuvka musí být umístěna v bezpečné vzdálenosti od dřezů a nemůže být vystavena na zalití vodou a různými odpady.
- Údaje jsou uvedené na výkonovém štítku umístěném dole na vnitřní stěně chladicího prostoru chladničky**.

Odpojení od napájení

Je třeba zajistit možnost odpojení spotřebiče od elektrické sítě vytažením zástrčky nebo vypnutím dvojpólového vypínače (obr. 9).

KLIMATICKÁ TŘÍDA

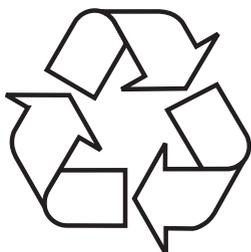
Informace o klimatické třídě spotřebiče se nachází na výkonovém štítku. Štítek stanoví, při jaké okolní teplotě (tj. místnosti, ve které pracuje) spotřebič funguje optimálně (správně).

Klimatická třída:		Přípustná okolní teplota
SN	subnormální	Chladicí zařízení je určeno k provozu v teplotě okolí v rozsahu 10 °C až 32 °C
N	normální	Chladicí zařízení je určeno k provozu v teplotě okolí v rozsahu 16 °C až 32 °C
ST	subtropická	Chladicí zařízení je určeno k provozu v teplotě okolí v rozsahu 16 °C až 38 °C
T	tropická	Chladicí zařízení je určeno k provozu v teplotě okolí v rozsahu 16 °C až 43 °C

* Netýká se spotřebičů do vestavění

** V závislosti od modelu

VYBALENÍ



Zařízení bylo po dobu přepravy zabezpečeno proti poškození. Po vybalení zařízení odstraňte části obalu způsobem, který neohrožuje životní prostředí. Všechny materiály použité na obal jsou sto procentně neškodné pro životní

prostředí a jsou vhodné pro zpětné získání a byly označeny příslušným symbolem. Upozornění! Obalové materiály (polyetylenové sáčky, pěnový polystyren apod.) nenechávejte při vybalování v dosahu dětí.

LIKVIDACE OPOTŘEBOVANÝCH ZAŘÍZENÍ



Toto zařízení je označeno v souladu s evropskou směrnicí 2012/19/ES. Takové označení znamená, že toto zařízení se po ukončení životnosti nesmí vyhazovat společně s jiným domácím odpadem. Uživatel je povinen odevzdat jej do sběrný použitých elektrických

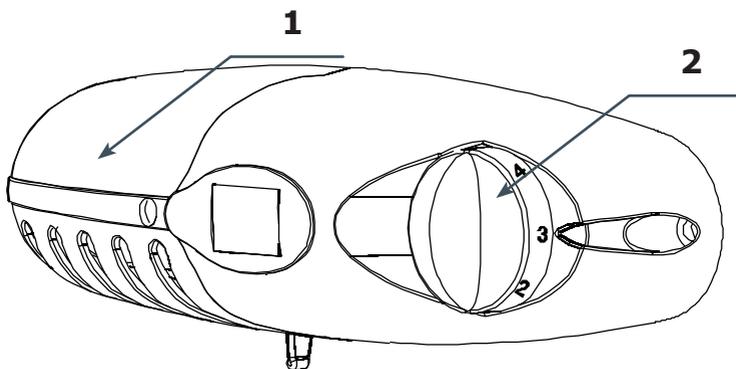
a elektronických zařízení. Provádějící sběr, včetně místních sběrů, obchodů a obecních úřadů, tvoří systém umožňující odevzdávání těchto zařízení.

Příslušné nakládání s použitými elektrickými a elektronickými zařízeními zabraňuje negativním následkům pro lidské zdraví a životní prostředí, vznikajícím z přítomnosti nebezpečných složek a nesprávného skladování a zužitkování takových zařízení.

OVLÁDÁNÍ

Ovládání zařízení

Ovládací panel je znázorněn na obrázku 10, pro připomenutí se nachází také níže:



1 - Světelný zdroj
2 - Termostat

Regulace teploty uvnitř zařízení

Změna nastavení otočného regulátoru změní teplotu v zařízení:

Poloha OFF/0 Zařízení vypnuto

Položka 1 V zařízení převládá nevyšší teplota (uvnitř je tepleji)

Položka 2–6 V zařízení převládá průměrná teplota

Položka 7 V zařízení převládá nejnižší teplota (uvnitř je chladněji)

Upozornění:

- Knoflík termostatu na vašem zařízení může být nastaven jinak než v tomto popisu. Obecný princip jeho fungování je popsán výše.
- Pokud na knoflíku vašeho zařízení chybí poloha označená jako „OFF“ nebo „0“, můžete zařízení úplně vypnout vytažením napájecího kabelu ze zásuvky. Před odpojením nastavte nejnižší hodnotu na termostatu.

Další informace o teplotě

- Teplotu uvnitř zařízení ovlivňuje mnoho faktorů. Nastavení knoflíku závisí mimo jiné na okolní teplotě, intenzitě slunečního záření, četnosti otevírání dveří zařízení, množství potravin. Nastavení knoflíku do střední polohy je ve většině případů neoptimálnější.
- Prostory se nemají naplňovat před jejich ochlazením (min. po 4 hod.) provozu spotřebiče.
- Z důvodu změny ročního období se nemá měnit nastavení teploty. Zvýšení teploty okolí bude zjištěno čidlem a kompresor bude automaticky uveden do provozu po delší časové období za účelem udržení nastavené teploty ve vnitřním prostoru.
- Nevelké změny teploty jsou normálním jevem a mohou se vyskytovat například během uchovávání velkého množství čerstvých výrobků v chladničce anebo když dveře zůstaly otevřené po delší dobu. Toto nebude mít vliv na potravinářské výrobky a teplota se rychle vrátí na úroveň nastavení.

OSVĚTLENÍ

Tato kapitola se týká zařízení továrně vybavených zářivkovým osvětlením a vybraných zařízení vybavených LED osvětlením v podobě žárovky s patičkou E14.

Výměna osvětlení

- Nastavte knoflík do polohy „OFF“, pak vytáhněte zástrčku ze sítě zásuvky.
- Demontujte kryt žárovky a sejměte jej (obr. 18).
- Vyměňte žárovku za novou se stejnými parametry, jaké má továrně namontovaná žárovka v zařízení (220–240 V, patička E14, maximální rozměry baňky: průměr – 26 mm, délka 55 mm).
- Namontujte kryt žárovky.
- Nepoužívejte žárovky s nižším nebo vyšším výkonem, používejte pouze žárovky s výše uvedenými parametry.

Upozornění:

- Použité osvětlení nepoužívejte k osvětlování domácích prostor.
- Pokud v tomto návodu neexistuje obrázek označený jako 18, výměnu osvětlení musí provést kvalifikovaný elektrikář.

OBSLUHA A FUNKCE

Uchovávání potravin v chladničce a mrazničce

- Výrobky je třeba vkládat na talířcích, v nádobách nebo zabalené do alobalu.
- Rovnoměrně rozložit na plochách polic.
- Je třeba si všimnout, zda se potraviny nedotýkají zadní stěny, pokud ano, tehdy to může způsobit usazení námrazy nebo navlhnutí potravin.
- Do chladničky se nemají vkládat nádoby s horkým obsahem.
- Potraviny snadno přijímající cizí pachy, takové jako máslo, mléko, tvaroh a také takové, které mají intenzivní vůni např. ryby, uzeniny, sýry – je třeba ukládat na police zabalené do fólie nebo v hermeticky uzavřených nádobách.
- Uchovávání zeleniny obsahující velké množství vody způsobuje osazování vodní páry nad nádobami na zeleninu; toto nevedí správnému fungování chladničky.
- Před vložením zeleniny do chladničky je třeba ji dobře osušit.
- Přílišná vlhkost zkracuje dobu uchovávání zeleniny, zejména listnaté.
- Zeleninu je třeba uchovávat nemytou. Mytí odstraňuje přirozenou ochranu a proto je lépe umýt zeleninu těsně před požitím.
- Pripouští se ukládání výrobků na drátěných policích mrazničky.*
- Pro zvýšení naplnovacího prostoru a uložení produktů v komoře na dně do maximální výšky je možné odstranit dolní koš.*

Zmrazování výrobků**

- Zmrazovat je možno prakticky všechny potravinářské výrobky s výjimkou zeleniny konzumované v syrovém stavu, např. zelený salát.
- Ke zmrazování se používají pouze potravinářské výrobky nejvyšší kvality, rozdělené na porce určené pro jednorázovou spotřebu.
- Produkty je nutné balit do materiálů bez zápachu, odolné vůči vnikání vzduchu a vlhkosti a nereagující na tuky. Nejlepšími materiály jsou: sáčky nebo archy z polyetylenové a hliníkové fólie.
- Obal musí být těsný a těsně přiléhat k zmrazeným výrobkům. Nepoužívejte skleněné nádoby.
- Čerstvé a teplé potravinářské výrobky (při okolní teplotě) vložené za účelem zmrazení se nemají dotýkat již zmrazených potravin.
- Doporučuje se, aby se během 24 hodin do mrazničky nekládalo na jednu více čerstvých potravin, než je uvedeno v tabulce.
- Pro zachování dobré kvality zmrazovaných výrobků se doporučuje přeskupit zmrazené výrobky nacházející se ve střední části mrazničky tak, aby se nedotýkaly výrobků, které ještě nejsou zmrazené.
- Doporučujeme zmrazené porce přesunout na jednu stranu mrazicího prostoru a čerstvé porce ke zmrazení uložit na opačné straně a maximálně přisunout k zadní a boční stěně.
- Do zmrazování výrobků použijte prostor, který je označen *** ** ***
- Je třeba pamatovat, že na teplotu mrazicího prostoru mrazničky mají vliv mimo jiné: okolní teplota, stupeň naplnění potravinářskými výrobky, četnost otevírání dveří, tloušťka námrazy v mrazničce, nastavení termostatu.
- Kdyby po zavření dveří mrazicího prostoru mrazničky nešly dveře

ihned zpět otevřít, doporučujeme počkat 1 až 2 minuty, až bude vzniklý podtlak vyrovnán.

Doba uchovávání zmrazených výrobků je závislá na jejich kvalitě v čerstvém stavu před zmrazením a také na teplotě uchovávání. Při zachování teploty -18°C nebo nižší jsou doporučeny následující doby uchovávání:

Výrobky	Měsíce
Hovězí	6-8
Telecí	3-6
Drůbky	1-2
Vepřové	3-6
Drůbež	6-8
Vejce	3-6
Ryby	3-6
Zelenina	10-12
Ovoce	10-12

Komora rychlého chlazení neslouží k přechovávání chlazených pokrmů. V této komoře je možné vyrábět a přechovávat kostky ledu.

Upozornění: Nemá-li zařízení mrazicí prostor , znamená to, že není vhodné ke zmrazování potravin.

* Týká se spotřebičů s komorou mrazničky v dolní části spotřebiče

** Týká se spotřebičů majících komoru mrazení 

***Netýká se spotřebičů vybavených komorami zmrazování označených 

JAK EKONOMICKY POUŽÍVAT CHLADNIČKU

Praktické porady

- Neumisťujte chladničku ani mrazničku poblíž ohřívačů, sporáků anebo je nevystavujte na bezprostřední působení slunečních paprsků.
- Přesvědčte se, že ventilační otvory nejsou zakryté. Jednou anebo dvakrát ročně z nich odstraňte prach a očistěte je.
- Zvolte příslušnou teplotu: teplota 6 až 8°C v chladničce jak rovněž -18°C v mrazničce je postačující.
- Při výjezdu na dovolenou, náleží zvýšit teplotu v chladničce.
- Dvířka chladničky anebo mrazničky otevírejte pouze tehdy, pokud to je nutné. Je dobré mít informace, jaké potraviny jsou přechovávány v chladničce a kde přesně se nacházejí. Nespotřebované potraviny je zapotřebí co nejrychleji schovat zpátky do chladničky anebo mrazničky, dokud se nezahřejí.
- Pravidelně vytírejte vnitřek chladničky hadříkem navlhčeným jemným detergentem. Spotřebič bez funkce automatického rozmrazování, pravidelně rozmrazujte. Nedovolte vytvoření se vrstvy jinovatky hrubší jak 10 mm.
- Těsnění kolem dvířek udržujte v čistotě, v opačném případě se dvířka nebudou úplně zavírat. Poškozené těsnění musíte vždy vyměnit.

Co znamenají hvězdičky?



Teplota nepřekračující -6°C postačí pro přechovávání zmrazených potravin přibližně jeden týden. Zásuvky anebo komory označené jednou hvězdičkou jsou (nejčastěji) v lacinějších chladničkách.



V teplotě nižší než -12°C je možné přechovávat potraviny v čase 1-2 týdnů bez ztráty chuťových vlastností. Není postačující pro zmrazování potravin.



Hlavně používané do zmrazování potravin v teplotě nižší než -18°C. Umožňuje zmrazení čerstvých potravin hmotností do 1 kg.



Tak označený spotřebič umožňuje přechovávání potravin v teplotě nižší než -18°C a zmrazování většího množství potravin.

Zóny v chladničce

S ohledem na přirozenou cirkulaci vzduchu, se v komoře chladničky nacházejí různé teplotní zóny:

Nejchladnější prostor se nachází bezprostředně nad zásuvkami se zeleninou. V tomto prostoru přechovávejte choulostivé a snadno kazící se produkty jako:

- ryby, maso, drůbež,
 - uzeniny, uvařené pokrmy,
 - pokrmy anebo upečené produkty obsahující vejce anebo smetanu,
 - čerstvé zákusky, směsi zákusků,
 - balenou zeleninu a jiné čerstvé potraviny s etiketou prikazující přechovávání v teplotě cca 4°C.
- Nejtepleji je v horní části dvířek. Zde se nejlépe přechovávají sýry a maslo.

Produkty, které by neměly být přechováváné v chladničce

- Ne všechny produkty jsou vhodné do přechovávání v chladničce. Patří k nim:
 - ovoce a zelenina citlivá vůči nízkým teplotám, jako na příklad banány, avokádo, papája, marakuja, baklažány, rajčata a okurky,
 - nezralé ovoce,
 - brambory

Pozor:

Příklad rozmístění produktů v spotřebiči (Obr. 12).

Aby se dosáhlo co nejlepší konzervace potravin po co nejdelší dobu a předešlo se tak plýtvání jimi, je třeba rozmístit potraviny tak, jak je ukázáno na obr. č. 12. Tento obrázek navíc ukazuje uspořádání zásuvek, košíků a poliček, které chladicímu zařízení dovoluje využít energii co nejúčinněji.

Uchovávání potravin ve vhodných podmínkách a teplotě prodlouží jejich trvanlivost a optimalizuje se tak i spotřeba elektrické energie. Rozsah vhodných teplot by se měl nacházet na obalech nebo štítcích potravin.

ODMRAZOVÁNÍ, MYTÍ A ÚDRŽBA

K čištění pláště a umělohmotných částí výrobků nikdy nepoužívejte rozpouštědel, jak rovněž ostrých, brusných čistících přípravků (např. prášku anebo čistících past)! Používejte pouze tekuté jemné mycí prostředky, jak rovněž měkké hadříky. Nepoužívejte houbičky.

Odmrazování chladničky***

- Na zadní straně chladničky vzniká námraza, která je odstraňována automaticky. Během odmrázování se mohou spolu s kondenzátem do otvoru žlábků dostávat nečistoty. Toto může způsobit ucpaní otvoru. V takovém případě je třeba otvor lehce protlačit čistícím trubek (obr. 13)
- Spotřebič pracuje cyklicky: chladí (tehdy se na zadní stěně tvoří námraza), následovně se odmrazuje (kondenzát stéká po zadní stěně).
- Před započítím čištění je třeba bezpodmínečně odpojit spotřebič od napájení vytažením zástrčky ze síťové zásuvky, vypnutím nebo vyšroubováním pojistky. Je nepřípustné, aby se voda dostala do řídicího panelu nebo osvětlení.
- K rozmrazování nedoporučujeme používat prostředky ve spreji. Mohou způsobit vznik výbušných směsí, obsahovat ředidla, která mohou poškodit plastové části spotřebiče a dokonce být nebezpečné pro zdraví.
- Je třeba dávat pozor, aby voda používaná k mytí pokud možno nestékala odtokovým otvorem do odpařovací mísky.
- Celý spotřebič s výjimkou těsnění dveří je třeba mýt jemným čistícím prostředkem. Těsnění ve dveřích je třeba vyčistit čistou vodou a vytrít dosucha.
- Je třeba důkladně umýt všechny součásti výbavy (nádoby na zeleninu, dveřní regály, skleněné police atd.).

Odmrazování mrazničky**

- Odmrazování mrazicího prostoru se doporučuje spojit s mytím spotřebiče.
- Větší nahromadění ledu na mrazicích plochách ztěžuje provozní účinnost spotřebiče a způsobuje větší spotřebu elektrické energie.
- Doporučujeme odmrázovat spotřebič alespoň jedenkrát nebo dvakrát za rok.
- Pokud se uvnitř nacházejí výrobky, je třeba nastavit otočný knoflík do polohy max. asi 4 hodiny před plánovaným rozmrazením. Toto zajistí možnost uchovávání výrobků při okolní teplotě po delší dobu.
- Po vyjmutí potravin z mrazničky je třeba je vložit do misky, zabalit do několika vrstev novinového papíru, zavinit do deky a uchovávat na chladném místě.
- Rozmrazování mrazničky má být provedeno pokud možno rychle. Delší uchovávání výrobků při okolní teplotě zkracuje dobu jejich použitelnosti.

Pro odmrazení mrazicího prostoru mrazničky je třeba**

Nastavit otočný knoflík termostatu do polohy "OFF" / „0“, vytáhnout zástrčku ze zásuvky.

Otevřít dveře, vyjmout výrobky.

Asi za půl hodiny je možno z hladkých povrchů stěn odstranit vrstvu ledu, vody.

Umýt a vysušit vnitřek mrazničky.

Zapnout spotřebič podle příslušného bodu v návodu.

Automatické odmrazování chladničky****

Chladicí prostor chladničky byl vybaven funkcí automatického odmrazování. Přesto na zadní stěně chladicího prostoru chladničky může vznikat námraza. Převážně se takto děje, když se v chladicím prostoru uchovává mnoho čerstvých potravinářských výrobků.

Automatické odmrazování mrazničky****

Mrazicí prostor mrazničky byl vybaven funkcí automatického odmrazování (no-frost). Potraviny jsou zmrazovány chladicím systémem oběhového vzduchu a vlhkost z mrazicí komory mrazničky je odváděna vně. Ve výsledku v mrazničce nevzniká zbytečná námraza a výrobky k sobě nepřimrzají.

Ruční mytí mrazicího prostoru chladničky a mrazničky****

Prostor chladničky a mrazničky se doporučuje umýt přinejmenším jednou za rok. Toto zabraňuje vzniku bakterií a nepříjemných zápachů. Celý spotřebič je třeba vypnout tlačítkem (1), vyjmout výrobky a prostory umýt vodou s přísádkem jemného čistícího prostředku. Nakonec prostory vytrít hadříkem.

Vytahování a vkládání polic *****

Vysunout polici a potom vtlačit na doraz tak, aby západka police zaskočila do výřezu vodící lišty (obr. 15).

Vytahování a vkládání dveřního regálu *****

Nadzvednout regál, vytáhnout a nasadit shora zpět do požadované polohy (obr. 16).

V žádném případě se nesmí dávat do vnitřku mrazničky elektrický, foukací ohříváč ani fén na vlasy.

** Týká se spotřebičů majících komoru mrazení 

Netýká se spotřebičů s beznámrazovým systémem

*** Týká se spotřebičů majících komoru chladničky.

Netýká se spotřebičů s beznámrazovým systémem

**** Týká se spotřebičů vybavených beznámrazovým systémem

***** Netýká se mrazniček

URČOVÁNÍ ZÁVAD

Problém	Možné příčiny	Možná řešení
Spotřebič nefunguje	Přerušený obvod elektrické instalace	<ul style="list-style-type: none"> - zkontrolovat, zda je zástrčka správně - zjistit, zda není poškozen napájecí kabel spotřebiče - zjistit, zda je v zásuvce napětí – připojit jiný spotřebič např. stolní lampičku - zjistit, zda je spotřebič zapnutý – nastavit termostat do polohy vyšší než „OFF“.
Nefunguje osvětlení vnitřního prostoru	Žárovka není dotažená nebo je spálená (Ve spotřebičích se žárovkou).	<ul style="list-style-type: none"> - zkontrolovat předchozí bod "Spotřebič nefunguje" - dotáhnout nebo vyměnit spálenou žárovku (Ve spotřebičích se žárovkou).
Nepřetržitý provoz spotřebiče	Nesprávné nastavení otočného knoflíku	- přetočit otočný knoflík do nižší polohy
	Zbývající příčiny jako v bodě „Spotřebič příliš málo chladí a/nebo mrazí“	- zkontrolujte podle předcházejícího bodu „Spotřebič příliš málo chladí a/nebo mrazí“
V dolní části chladničky voda	Odváděcí otvor vody je ucpaný	- vyčistit odtokový otvor (viz Návod k obsluze, kapitola - „Odmrazování chladničky“)
	Ztížená cirkulace vzduchu uvnitř prostoru	- uložit potravinářské výrobky a nádoby tak, aby se nedotýkaly zadní stěny chladničky
Zvuky nevycházející z normálního provozu spotřebiče	Spotřebič není správně	- správně ustavit spotřebič
	Spotřebič se dotýká nábytku a/nebo jiných předmětů	- spotřebič postavit volně tak, aby se nedotýkal jiných

Problém	Možné příčiny	Možná řešení
Teplota uvnitř chladničky není dostatečně nízká nebo je příliš vysoká	Nesprávné nastavení otočného knoflíku	- přetočit otočný knoflík do vyšší polohy
	Teplota okolního prostředí je větší anebo menší od teploty uvedené v tabulce technické specifikace spotřebiče.	- spotřebič je přizpůsobený do práce v teplotě, která je uvedena v tabulce s technickou specifikací spotřebiče.
	Spotřebič stojí na nasluněném místě nebo blízko tepelných zdrojů	- změnit místo ustavení spotřebiče podle návodu k obsluze
	Jednorázové naplnění velkým množstvím teplých výrobků	- počkat asi 72 hodin na vychlazení (zmrazení) výrobků a dosažení požadované teploty vnitřního prostoru
	Ztížená cirkulace vzduchu uvnitř prostoru	- uložit potravinářské výrobky a nádoby tak, aby se nedotýkaly zadní stěny chladničky
	Ztížená cirkulace vzduchu ze zadní strany spotřebiče	- odsunout spotřebič od stěny min. 30 mm
	Dveře chladničky/mrazničky jsou příliš často otevírány a/nebo zůstávají dlouze otevřené	- omezit četnost otevírání dveří a/nebo zkrátit dobu, po jakou dveře zůstávají otevřené
	Dveře se nedovírají	- výrobky a nádoby uložit tak, aby neztěžovaly zavírání dveří
	Kompresor se zřídka zapíná	- zkontrolujte zda teplota okolního prostředí není menší než rozsah klimatické třídy
Špatně vložené těsnění dveří	- zatlačit těsnění	

Během normálního používání chladicího zařízení mohou vystupovat různé zvuky, které nemají žádný vliv na bezchybnou práci chladničky.

Zvuky, které se lehce odstraňují:

- hluk, kdy chladnička nestojí svísele - usměrněte nastavení pomocí nastavitelných nožiček vpředu. Můžete také podložit pod rolky ze zadu měkkou látku, především v případě, že podlaha je provedena z podlahových dlaždic
- otírání se o sousední nábytek - přesuňte chladničku.
- skřípání zásuvek anebo poliček - vytáhněte a opětovně vložte zásuvku anebo poličku.
- zvuky způsobené dotýkajícími se láhvemi - odsuňte láhve od sebe.

Zvuky, které mohou být slyšitelné během správné exploatace, vyplývají z práce termostatu, kompresoru (připojení), chladicí soustavy (chlazení (smršťování a rozšiřování materiálu vlivem teplotních rozdílů, jak rovněž průtoku chladicího médium).

Vážený zákazník

Od dnešného dňa každodenné povinnosti budú jednoduchšie ako kedykoľvek predtým. Zariadenie značky **Amica** spája výnimočne jednoduché používanie a dokonalú efektívnosť. Keď sa oboznámite s užívateľskou príručkou, s používaním zariadenia nebudete mať žiadne problémy.

Zariadenie, ktoré opúšťa továreň, bolo pred konečným zabalením na kontrolných staniciach dôkladne skontrolované, čo sa týka bezpečnosti a funkčnosti zariadenia.

Pred spustením zariadenia sa podrobne a dôkladne oboznámte s užívateľskou príručkou. Dodržiavaním pokynov a odporúčaní, ktoré sú v príručke uvedené, predídete nesprávnemu používaniu zariadenia. Príručku uchovajte a uložte ju na takom mieste, aby bola v prípade potreby ľahko dostupná.

Dôkladne dodržiavajte pokyny a odporúčania uvedené v príručke, vyhnete sa tak nešťastným nehodám či úrazom.

S úctou

Amica

DÔLEŽITÉ BEZPEČNOSTNÉ POKYNY

- Prístroj je určený výhradne pre domáce použitie.
- Výrobca si vyhradzuje možnosť prevádzania zmien neovplyvňujúcich fungovanie spotrebiča.
- Niektoré zápisy v tomto návode sú zjednotené pre chladiarenské výrobky rôznych typov, (pre chladničky, chladničky- mrazničky alebo mrazničky). Informácie na tému druhu Vášho spotrebiča sa nachádzajú v Technickom liste pripojenom k výrobku.
- Výrobca nenesie zodpovednosť za škody vzniknuté z nedodržiavania zásad umiestnených v tomto návode.
- Prosimé o zachovanie tohto návodu s cieľom jeho využitia v budúcnosti alebo odovzdania eventuálnemu ďalšiemu užívateľovi.
- Toto zariadenie nie je prispôbené k používaniu osobami (v tom deťmi) s obmedzenou fyzickou, zmyslovou alebo psychickou schopnosťou alebo osobami s nedostatočnými skúsenosťami a znalosťami zariadenia, iba ak je uskutočňované pod dohľadom alebo v súlade s návodom používania zariadenia, odovzdanom osobami odpovedajúcimi za ich bezpečnosť.
- Venujte mimoriadnu pozornosť tomu, aby spotrebič nepoužívali deti ponechané bez dozoru. Nechávajú sa im hrať so spotrebičom. Nie je im dovolené sadáť si výsuvné časti a zavesovať sa na dvere.
- Spotrebič pracuje správne v teplote okolitého prostredia, ktorá je uvedená v tabuľke s technickou špecifikáciou. Nepoužívajte ho v pivnici, sieni, v neohrievanej chate v jeseni a v zime.
- Počas umiestňovania, presúvania, dvíhania sa nemá chytať za madlá dverí, ťahať za odparovací kondenzátor na zadnej strane chladničky a aj dotýkať kompresorovej jednotky.

- Spotrebič nenahýbajte viac ako 40° od zvislej polohy, v priebehu prepravy, prenášania alebo umiestovania. Ak sa taká situácia vyskytla, zapnutie spotrebiča môže nastúpiť min. po 2 hodinách od jeho umiestenia (výkr. 2).
- Pred každou konzervačnou činnosťou vyjmite zástrčku zo sieťovej zásuvky. Nepopotáhajte za vodič, ale chytajte za korpus zástrčky.
- Počuteľné zvuky ako bublanie alebo praškanie sú spôsobené roztahovaním a zmrašťovaním súčastí v dôsledku teplotných zmien.
- Z bezpečnostných dôvodov neopravujte spotrebič svojpomocným spôsobom. Opravy vykonávané osobami, ktoré nemajú požadovanú kvalifikáciu môžu vytvárať vážne nebezpečenstvo pre užívateľa spotrebiča.
- V prípade poškodenia chladiaceho okruhu je potreba na niekoľko minút vyvetrať miestnosť, v ktorej sa nachádza spotrebič (táto miestnosť musí mať aspoň 4 m³; pre spotrebič s izobutánom /R600a).
- Výrobky, aj keď čiastočne rozmrazené, nie je možné znovu zmraziť.
- Nápoje vo fľašiach a plechovkách, najmä nápoje sytené oxidom uhličitým, sa nemajú uchovávať v mraziacom priestore mrazničky. Plechovky a fľaše môžu popraskať.
- Nemajú sa dávať do úst zmrazené výrobky ihneď po vyňatí z mrazničky (zmrzlina, kocky ľadu, atď.), ich nízka teplota môže spôsobiť bolestivé omrzliny.
- Dávajte pozor, aby nebol poškodený chladiaci okruh, napr. napichnutím kanálikov chladiaceho prípravku vo výparníku, zlomením rúr. Vystrekované chladiace médium je horľavé. V prípade vniknutia do očí vyplachujte ich čistou vodou a vyhľadajte lekársku pomoc.
- Ak bude napájací kábel poškodený, musí byť vymenený v špecializovanom servise.
- Spotrebič slúži k prechovávaniu potravín, nepou-

- žívajte ho k iným účelom.
- Spotrebič úplne odpojte od napájania (vytiahnutím zástrčky zo sietovej zásuvky) v čase vykonávania takých činností, akými sú čistenie, konzervácia alebo zmena miesta vstavenia.
 - Toto zariadenie môže byť používané deťmi vo veku 8 rokov a starších, osoby s obmedzenými fyzickými alebo mentálnymi schopnosťami, ako aj osobami bez skúseností a bez znalostí zariadenia môžu kanvicu používať, pokiaľ sú dohliadané alebo boli inštruované vzhľadom obsluhy zariadenia bezpečným spôsobom a znajú ohrozenie spojené s používaním zariadenia. Deti si nemôžu so zariadením hrať. Čistenie a konzervácia zariadenia nemôže byť vykonávaná deťmi ledaže ukončili 8 rokov a sú dohliadané zodpovednou osobou.
 - Pre získanie viac miesta v mrazničke, je možné z nej vybrať zásuvky a umiestňovať produkty bezprostredne na poličkách. Neovplyvňuje to termickú a mechanickú charakteristiku výrobku. Určený obsah mrazničky bol vypočítaný s vybratými zásuvkami.



VAROVANIE: Riziko požiaru / horľavé materiály

- Deti vo veku od 3 do 8 rokov môžu vkladať a vyberať výrobky z chladiaceho zariadenia.

Aby ste predišli znečisteniu potravín, dodržiavajte nasledujúce zásady:

- V dôsledku otvárania dvierok na dlhšie môže dôjsť k značnému zvýšeniu teploty v komorách zariadenia.
- Pravidelne čistite povrchy, ktoré sa stýkajú s potravinami, a tiež dostupné systémy (poľa vybavenia) odvádzajúce vodu.
- Surové mäso a ryby uchovávajte v chladničke vo vhodných nádobách tak, aby nedochádzalo ku

kontaktu s ostatnými potravinami, a aby z nich nekvapkalo na iné potraviny.

- Dvojhviezdičkové komory mrazničky sú určené na uchovávanie už zmrazených potravín, na uchovávanie alebo mrazenie zmrzliny, ako aj na mrazenie (kočiek) ľadu.
- Jednohviezdičkové, dvojhviezdičkové a trojhviezdičkové komory nie sú určené na mrazenie čerstvých potravín.

	Typy komôr (oddelení)	Cieľová teplota uchovávania [°C]	Príslušné potraviny
1	Chladnička	+2≤+8	Vajcia, varené potraviny, balené potraviny, ovocie a zelenina, mliečne výrobky, koláče, nápoje a iné výrobky, ktoré sa nemôžu mraziť.
2	Mraznička ❄️***	≤-18	Plody mora (ryby, krevety, lastúrniky), sladkovodné výrobky a mäsové výrobky (odporúčané 3 mesiace, čím dlhší čas uchovávania, tým je potravinu menej chutná a má horšie výživové hodnoty), vhodné na zmrazené čerstvé výrobky.
3	Mraznička ❄️**	≤-18	Plody mora (ryby, krevety, lastúrniky), sladkovodné výrobky a mäsové výrobky (odporúčané 3 mesiace, čím dlhší čas uchovávania, tým je potravinu menej chutná a má horšie výživové hodnoty), nevhodné na mrazené čerstvé výrobky.
4	Mraznička ❄️*	≤-12	Plody mora (ryby, krevety, lastúrniky), sladkovodné výrobky a mäsové výrobky (odporúčané 2 mesiace, čím dlhší čas uchovávania, tým je potravinu menej chutná a má horšie výživové hodnoty), nevhodné na mrazené čerstvé výrobky.
5	Mraznička ❄️	≤-6	Plody mora (ryby, krevety, lastúrniky), sladkovodné výrobky a mäsové výrobky (odporúčaný 1 mesiac, čím dlhší čas uchovávania, tým je potravinu menej chutná a má horšie výživové hodnoty), nevhodné na mrazené čerstvé výrobky.
6	Bez hviezdičková komora (oddelenie)	-6≤0	Čerstvá bravčovina, hovädzina, ryby, kura, niektoré balené spracované výrobky ap. (odporúčaná spotreba v ten istý deň, najlepšie v priebehu maximálne 3 dní). Čiastočne zabalené spracované výrobky (výrobky, ktoré sa nesmú mraziť)
7	Komora (oddelenie) na uchovávanie rýchlo sa kaziacich potravín	2≤+3	Čerstvá/mrazená bravčovina, hovädzina kura, sladkovodné výrobky ap. (7 dní pod 0 °C, nad 0 °C odporúčaná spotreba v ten istý deň, najlepšie v priebehu maximálne 2 dní). Plody mora (pod 0 °C 15 dní, neodporúčané uchovávanie pri teplote nad 0 °C)

8	Komora (oddelenie) na uchovávanie čerstvých potravín	0 ≤ +4	Čerstvá bravčovina, hovädzina, ryby, kura, varené výrobky ap. (odporúčaná spotreba v ten istý deň, najlepšie v priebehu maximálne 3 dní).
9	Komora (oddelenie) na uchovávanie vína	+5 ≤ +20	Červené, biele, šumivé víno ap.

- Pozor: výrobky uchovávajte v súlade s odporúčaniami pre dané komory alebo podľa teploty uchovávaného výrobku.
- Ak chladiace zariadenie nebudete dlhší čas používať a bude prázdne, vypnite ho, rozmrazte, poumývajte, vysušte a nechajte s otvorenými dvierkami, aby ste predišli vzniku plesní vo vnútri.
- Čistenie výdajného zariadenia vody (pre výrobky, ktoré majú výdajné zariadenie vody): Nádoby na vodu vyčistite, ak sa nepoužívali 48 hodín; ak voda nebola vypustená počas 5 dní, prepláchnite vodný systém pripojením k vodovodu.
- Minimálna lehota, počas ktorej budú dostupné náhradné diely na opravovanie zariadenia, je 7 alebo 10 rokov, podľa typu a určenia daného náhradného dielu, a v súlade s nariadením Komisie (EU) 2019/2019.
- Zoznam náhradných dielov a procedúra ich objednávaní sú dostupné na webových stránkach výrobcu, dovozcu alebo oprávneného zástupcu.
- Bližšie informácie o danom výrobku nájdete v databáze výrobkov EPREL, ktorá je dostupná na adrese <https://eprel.ec.europa.eu>. Informácie môžete získať načítaním QR kódu z energetického štítku alebo zadaním modelu výrobku z energetického štítku vo vyhľadávacom EPREL <https://eprel.ec.europa.eu/>

INŠTALÁCIA A PREVÁDZKOVÉ PODMIENKY SPOTREBIČA

Toto chladiace zariadenie nie je určené na používanie ako vstavané zariadenie.

Inštalácia pred prvým spustením

- Spotrebič je treba rozbaľiť, odstrániť lepiacu pásku zaisťujúcu dvere a vybavení. Eventuálne zvyšky lepidla je možné odstrániť jemným čistiacim prostriedkom.
- Polystyrénové časti obalu sa nemajú vyhadzovať. V nutnom prípade opätovného prevozu je potreba chladičku s mrazničkou zabalit do častí polystyrénu a fólie a tiež zajišťať lepiacou páskou.
- Vnútrajšok chladičky a mrazničky ako aj súčasti výbavy je treba umyť vlažnou vodou s prídavkom prostriedku na umývanie riadu a potom vytrieť a vysušiť.
- Chladičku s mrazničkou je treba umiestniť na rovný, vodorovný a stabilný podklad, do suchej, vetranej miestnosti, kde nesvieti slnko, ďalej od tepelných zdrojov takých ako kuchyňa, radiátor ústredného kúrenia, trubka ústredného kúrenia, rozvod teplej vody atď.
- Na vonkajších poyrchoch výrobku sa môže nachádzať ochranná fólia, treba ju odstrániť.
- Vodorovné osadenie spotrebiča je treba upraviť zaskrutkovaním 2 nastaviteľných predných nožičiek (obr. 3)
- Pre zabezpečenie slobodného otvárania dvierok, je vzdialenosť medzi bočnou stranou výrobku (zo strany závesov dvierok), a stenou miestnosti predstavená na výkrese č. 5.*
- Je treba zaisťiť vhodnú ventiláciu miestnosti a dostatočnú cirkuláciu vzduchu v priestore okolo spotrebiča (obr. 6).*

Minimálne vzdialenosti od tepelných zdrojov

- od elektrických, plynových sporákov a iných - 30 mm,
- od plynových alebo uhoľných kotlov - 300 mm,
- od vstavaných trúb - 50 mm

Pokým nie je možné dodržanie vyššie stanovených vzdialeností, je potreba použiť vhodnú izolačnú dosku.

Pozor:

- Zadná stena chladičky a najmä kondenzátor a iné súčasti chladiaceho obehu sa nemôžu dotýkať iných súčastí, ktoré môžu spôsobiť poškodenie, najmä (s rúrkou CO a privádzajúcou vodu).
- Nie je prípustná akákoľvek manipulácia so súčastami agregátu. Je potreba venovať mimoriadnu pozornosť tomu, aby nedošlo k poškodeniu kapilárnej rúrky, ktorá je viditeľná v kompresorovom priestore. Táto rúrka sa nesmie ohýbať, narovnávať ani krútiť.
- Poškodenie kapilárnej rúrky používateľom spôsobuje stratu nárokov vyplývajúcich zo záruky (obr. 8).
- Vo vybraných modeloch sa úchyt dvierok nachádza vo vnútri výrobku a je nutné ho priskrutkovať vlastným skrutkovačom

Pripojenie napájania

- Pred pripojením sa odporúča nastaviť riadiace koliesko regulátora teploty na polohu „OFF“ alebo inú spôsobujúcu odpojenie spotrebiča od napájania (Vid' strana s opisom riadenia).
- Spotrebič je treba pripojiť k sieti striedavého prúdu 220-240V/ 50Hz správne zapojenou elektrickou zásuvkou s uzemnením a istenou 10 A poistkou.
- Uzemnenie spotrebiča je vyžadované právnymi predpismi. Výrobca sa zrieka akejkoľvek zodpovedností z titulu eventuálnych škôd, ktoré môžu utrpieť osoby alebo predmety v dôsledku nesplnenia povinností stanovených v tomto predpise.
- Nemajú sa používať spojovacie články, niekoľkonásobné zásuvky (rozvážače), dvojžilové predĺžovacie káble. Pokým je nutné použitie predĺžovacieho kábla, môže to byť iba predĺžovací kábel s ochranným kolíkom, jednozásuvkový, ktorý má bezpečnostný atest VDE/GS.
- Pokým bude použitý predĺžovací kábel (s ochranným kolíkom, ktorý má bezpečnostnú značku), napokon jeho zásuvka musí byť umiestnená v bezpečnej vzdialenosti od drezov a nemôže byť vystavená na zaliatie vodou a rôznymi odpadmi.
- Udaje sú uvedené na typovom štítku, umiestneným naspodku vnútornej steny chladiaceho priestoru chladničky**.

Odpojenie od napájania

Je potreba zabezpečiť možnosť odpojenia spotrebiča od elektrickej siete vytiahnutím zástrčky alebo vypnutím dvojpólového vypínača (obr. 9).

KLIMATICKÁ TRIEDA

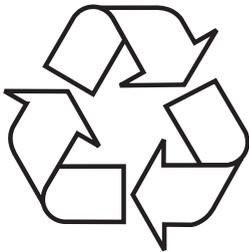
Informácia o klimatickej triede spotrebiča sa nachádza na výkonovom štítku. Štítok stanoví, pri akej teplote okolia (tzn. miestnosti, v ktorej pracuje) spotrebič funguje optimálne (správne).

Klimatické pásmo		Prípustná teplota prostredia
SN	rozšírené mierne	Chladiace zariadenie je určené na používanie pri teplote prostredia v rozpätí od +10 °C do +32 °C
N	mierne	Chladiace zariadenie je určené na používanie pri teplote prostredia v rozpätí od +16 °C do +32 °C
ST	subtropické	Chladiace zariadenie je určené na používanie pri teplote prostredia v rozpätí od +16 °C do +38 °C
T	tropické	Chladiace zariadenie je určené na používanie pri teplote prostredia v rozpätí od +16 °C do +43 °C

* Netýka sa spotrebičov do vstavenia

** V závislosti od modelu

ROZBALENIE



Zariadenie je chránené pred poškodením počas prepravy. Prosíme Vás, aby ste po vybalení zariadenia zlikvidovali obalové materiály spôsobom neohrožujúcim životné prostredie. Všetky materiály použité na zabalenie sú

neškodné pre životné prostredie, sú 100% recyklovateľné a sú označené príslušným symbolom. Pozor! Dávajte pozor, aby sa obalové materiály (polyetylénové vrecká, kúsky polystyrénu atď.) nedostali do rúk deťom.

LIKVIDÁCIA ZARIADENÍ



Toto zariadenie je označené v súlade s Európskou smernicou 2012/19/ES. Tento symbol informuje, že toto zariadenie sa po opotrebovaní (skončení používania) nesmie vyhodiť do komunálneho odpadu. Užívateľ je povinný zariadenie odovzdať v zbernom

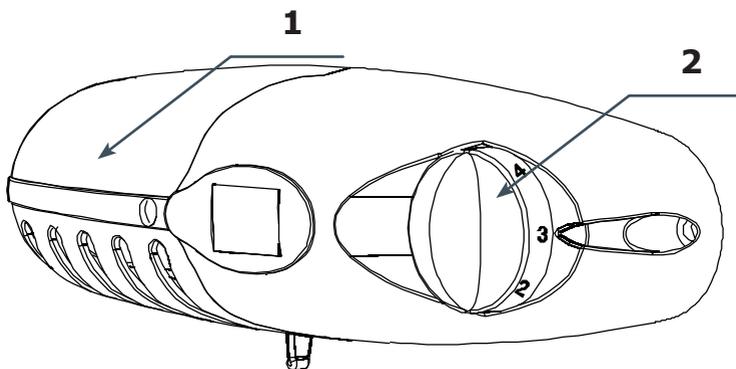
mieste opotrebovaných elektrických a elektronických zariadení. Subjekty, ktoré sa zaoberajú spracovaním opotrebovaných zariadení, tzn. miestne zberné miesta, obchody alebo jednotky štátnej správy, vytvárajú príslušný systém, ktorý každému umožňuje odovzdať takéto zariadenia.

Správny postup pri likvidácii elektrického a elektronického zariadenia predchádza negatívne vplyvu škodlivých pre ľudské zdravie a životné prostredie konzekvencií, ktoré vyplývajú z prítomnosti nebezpečných častí ako aj nesprávneho skladovania a recyklácie takýchto zariadení.

OVLÁDANIE

Ovládanie zariadenia

Ovládací panel je zobrazený na obr. 10, na pripomenutie je uvedený aj nižšie:



1 - Zdroj svetla
2 - Termostat

Nastavenie teploty vo vnútri zariadenia

Teplota vo vnútri zariadenia sa mení pretočením ovládacieho kolieska:

Poloha OFF/0 Zariadenie vypnuté

Poloha 1 V zariadení je najvyššia teplota (vo vnútri je teplejšie)

Poloha 2-6 V zariadení je priemerná teplota

Poloha 7 V zariadení je najnižšia teplota (vo vnútri je chladnejšie)

Pozor:

- Koliesko termostatu vo vašom zariadení môže byť kalibrované iným spôsobom, ako je to predstavené v tomto opise. Všeobecná zásada, ako funguje, je opísaná vyššie.
- Ak na ovládacom koliesku vášho zariadenia nie sú polohy označené „OFF“ alebo „0“, vaše zariadenie sa dá úplne vypnúť iba vytiahnutím zástrčky napájacieho kábla z el. zásuvky. Pred vypnutím zariadenia (vytiahnutím zástrčky), na termostate nastavte najnižšiu možnú teplotu.

Dodatočné informácie o teplote

- Teplotu vo vnútri zariadenia ovplyvňuje mnoho faktorov. Nastavenie kolieska závisí medzi inými od teploty prostredia (okolia), intenzity slnečného žiarenia, frekvencie otvárania dverí zariadenia, množstva potravín. Nastavenie priemernej (strednej) teploty je vo väčšine prípadov najoptimálnejšie.
- Priestory sa nemajú zaplňovať pred ich ochladením min. po 4 hod. prevádzky spotrebiča.
- Z dôvodu zmeny ročného obdobia sa nemá meniť nastavenie teploty. Zvýšenie teploty okolia bude zistené snímačom a kompresor bude automaticky uvedený do prevádzky po dlhšie časové obdobie za účelom udržania nastavenej teploty vo vnútornom priestore.
- Neveľké zmeny teploty sú normálnym javom a napríklad sa môžu vyskytovať v priebehu prechovávaní v chladničke veľkého množstva sviežich produktov alebo keď dvere boli dlhšie časové obdobie otvorené. Neovplyvňuje to kvalitu potravín a teplota sa rýchlo vráti na nastavenú úroveň.

OSVETLENIE

Táto kapitola sa týka zariadení, ktoré sú továrensky vybavené žiarivkovým osvetlením alebo zariadení, ktoré sú vybavené osvetlením LED so žiarovkami so závitom E14.

Výmena osvetlenia

- Ovládacie koliesko pretočte na polohu „OFF“, následne vytiahnite zástrčku z el. zásuvky.
- Zdemontujte kryt (tienidlo) žiarovky a vytiahnite (obr. 18).
- Žiarovku vymeňte, použite funkčnú žiarovku s takými istými parametrami, ako továrensky namontované žiarovky (220-240 V, závit E14, maximálne rozmery žiarovky: priemer: 26 mm, dĺžka: 55 mm).
- Namontujte kryt (tienidlo) žiarovky naspäť na svoje miesto.
- Nepoužívajte žiarovky s vyšším alebo nižším výkonom, používajte len žiarovky s vyššie uvedenými parametrami.

Pozor:

- Použité osvetlenie (žiarovky) sa nemôžu používať na svietenie obytných priestorov.
- Ak v užívateľskej príručke nie je zobrazený obr. 18, osvetlenie (žiarovky) môže vymeniť iba kvalifikovaný technik alebo autorizovaný servis.

OBSLUHA A FUNKCIE

Uchovávanie potravín v chladničke a mrazničke

- Výrobky je treba vkladať na tanierikoch, v nádobách lebo zabalené do potravinovej fólie. Rovnomerne rozložiť na plochách polic.
- Je treba si všimnúť, či sa potraviny nedotýkajú zadnej steny, pokým áno, vtedy to môže spôsobiť tvorenie námrazy alebo navlhnutie potravín.
- Do chladničky sa nemajú vkladať nádoby s horúcim obsahom.
- Potraviny ľahko preberajúce cudzie pachy, také ako maslo, mlieko, tvaroh a tiež také, ktoré majú intenzívnu vôňu napr. ryby, údeniny, syry – je treba ukladať na police zabalené do fólie alebo v hermeticky uzavretých nádobách.
- Uchovávanie zeleniny obsahujúcej veľké množstvo vody spôsobuje usadzovanie vodnej pary hore nádob na zeleninu; neprekáža to správne fungovaniu chladničky.
- Pred vložením zeleniny do chladničky je treba ju dobre vysušiť.
- Prílišná vlhkosť skracuje dobu uchovávanía zeleniny, najmä listnatej.
- Zeleninu treba uchovávať neumytú. Umyvanie odstraňuje prirodzenú ochranu a preto je lepšie umyť zeleninu tesne pred použitím.
- Pripúšťa sa ukladanie výrobkov na drôtených policiach mrazničky.*
- Je možné odstránenie dolného koša s cieľom získania väčšieho úložného priestoru a uloženia výrobkov komore na dne do maximálnej výšky.*

Zmrazovanie výrobkov**

- Zmrazovať je možné prakticky všetky potravinové výrobky, s výnimkou zeleniny konzumovanej v surovom stave, napr. zelený šalát.
- Na zmrazovanie sa používajú iba potravinové výrobky najvyššej kvality, rozdelené na porcie určené pre jednorázovú spotrebu.
- Výrobky je treba zabaliť do obalov bez zápachu, odolných voči prenikaniu vzduchu a vlhkosti a tiež odolných voči tuku. Najlepšími obalmi sú: sáčky, archy z polyetylénovej a hliníkovej fólie.
- Obal má byť nepriepustný a tesne priliehať ku zmrazeným výrobkom. Nemajú sa používať sklenené obaly.
- Čerstvé a teplé potravinové výrobky (pri teplote okolia) vložené za účelom zmrazenia nemajú prísť do styku s už zmrazenými potravinami.
- Odporúča sa, aby v priebehu 24 hodín nevkladať do mrazničky jednorazovo viac čerstvých potravín ako je uvedené v tabuľke s technickou špecifikáciou spotrebica.
- Pre uchovanie dobrej kvality zmrazovaných výrobkov sa odporúča preškúpiť zmrazené výrobky nachádzajúce sa vo strednej časti mrazničky tak, aby sa nedotýkali výrobkov ešte nezmrazených.
- Odporúčame zmrazené porcie presunúť na jednu stranu mraziaceho priestoru a čerstvé porcie na zmrazenie uložiť na opačnej strane a maximálne prisunúť ku zadnej a bočnej stene.
- Do zmrazovania výrobkov používajte priestor, ktorý je označený ***
- Je potreba pamätať, že na teplotu mraziaceho priestoru mrazničky majú vplyv okrem iného: teplota okolia, stupeň naplnenia potravinovo-

vými výrobkami, četnosť otvárania dverí, hrúbka námrazy v mrazničke ako aj nastavenie termostatu.

- Keby sa po zatvorení komory mrazničky dvierka nemohli okamžite znova otvoriť, radíme počkať 1 až 2 minúty, až tam vzniknutý podtlak bude kompenzovaný.

Doba uchovávanía zmrazených výrobkov je závislá na ich kvalite v čerstvom stave pred zmrazením a tiež na teplote uchovávanía. Pri zachovávaní teploty -18°C alebo nižšej sú odporúčané nasledujúce doby uchovávanía:

Výrobky	Mesiace
Hovädzí	6-8
Teľací	3-6
Drobky	1-2
Bravčové	3-6
Hydina	6-8
Vajcia	3-6
Ryby	3-6
Zelenina	10-12
Ovocie	10-12

Komora rýchleho chladenia neslúži k prechovávaníu chladených pokrmov. V tejto komore je možné vyrábať a prechovávať kocky ľadu.

Pozor: Ak zariadenie nemá komoru   , znamená to, že dané chladiace zariadenie nie je určené na mrazenie potravín.

* Týka sa spotrebičov s komorou mrazničky v dolnej časti spotrebiča

** Týka sa spotrebičov majúcih komoru mrazenia   

*** Netýka sa spotrebičov vybavených komorami zmrazovania označených   

AKO EKONOMICKY POUŽÍVAŤ CHLADNIČKU

Praktické rady

- Neumiestňujte chladničku ani mrazničku v blízkosti ohrievačov, šporákov alebo nevystavujte na bezprostredné pôsobenie slnečných lúčov.
- Presvedčte sa, že ventilačné otvory nie sú zakryté. Jednou alebo dvakrát ročne z nich odstráňte prach a očistite ich.
- Zvoľte príslušnú teplotu; teplota 6 až 8°C v chladničke ako aj -18°C v mrazničke je postačujúca
- V priebehu výjazdu na dovolenku teplotu v chladničke navýšte.
- Dvierka chladničky alebo mrazničky otvárajte len vtedy, pokiaľ je to nutné. Je dobré mať informácie, aké potraviny sú prechovávané v chladničke a kde sa presne nachádzajú. Nepoužité potraviny je potrebné čo najrýchlejšie schovať späť do chladničky alebo mrazničky, pokiaľ sa nezohrejú.
- Pravidelne vytierajte vnútro chladničky handričkou navlhčenou jemným detergentom. Spotrebič bez funkcie automatického rozmrazovania, pravidelne rozmrazujte. Nedovoľte vytvorenie sa vrstvy inováti hrubšej ako 10 mm.
- Tesnenie okolo dverí udržiajte v čistote, v opačnom prípade sa dvierka nebudú úplne zatvárať. Vždy vymonte poškodené tesnenie.

Čo znamenajú hviezdičky?



Teplota neprekračujúca -6°C postačí pre prechovávanie zmrazených potravín približne jeden týždeň. Zášuvky alebo komory označené jednou hviezdičkou sú (najčastejšie) v lacnejších chladničkách.



V teplote nižšej ako -12°C je možné prechovávať potraviny v čase 1-2 týždňov bez straty chuťových vlastností. Nie je postačujúca pre zmrazovanie potravín.



Hlavne používané pre zmrazovanie potravín v teplote nižšej ako -18°C. Umožňuje zmrazenie čerstvých potravín hmotnosti do 1 kg.



Tak označený spotrebič umožňuje prechovávanie potravín v teplote nižšej než -18°C a zmrazovanie väčšieho množstva potravín.

Zóny v chladničke

S ohľadom na prirodzenú cirkuláciu vzduchu, sa v komore chladničky nachádzajú rôzne teplotné zóny.

Najchladnejší priestor sa nachádza bezprostredne nad zásuvkami so zeleninou. V tomto priestore prechováajte chľostivé a ľahko kaziace sa produkty ako:

- ryby, mäso, hydina,
 - údeniny, uvarené pokrmy,
 - pokrmy alebo upečené produkty obsahujúce vajcia alebo smotanu,
 - čerstvé zákusky, zmesi zákuskov
 - balenú zeleninu a iné čerstvé potraviny s etiketou prikazujúcou prechovávanie v teplote cca 4°C.
- Najteplejšie je v hornej časti dvierok. Tu sa najlepšie prechováajú syry a maslo.

Produkty, ktoré by nemali byť prechovávané v chladničke

- Nie všetky produkty sú vhodné k prechovávaniu v chladničke. Patria k nim:
 - ovocie a zelenina citlivá voči nízkym teplotám, ako na príklad banány avokádo, papája, marakuja, baklažány, rajčiaky a uhorky,
 - nezrelé ovocie,
 - zemiaky

Pozor:

Príkladné rozmiestnenie produktov v spotrebiči (Výkr. 12).

Aby ste dosiahli čo najlepšiu úroveň konzervovania potravín na čo najdlhšie a predišli nepotrebnému miňaniu potravín, výrobky rozmiestnite tak, ako je to znázornené na obr. 12. Na obrázku je dodatočne predstavené rozloženie zásuviek, košov a políc, ktoré umožňuje najefektívnejšie využiť energiu spotrebúvanú chladiacim zariadením.

Uchovávaním potravín v náležitých podmienkach a teplote sa predlžuje trvanlivosť a optimalizuje spotreba elektrickej energie. Rozpätie vhodných teplôt sa uvádza na obaloch alebo etiketách potravín.

ODMRAZOVANIE, UMÝVANIE A ÚDRŽBA

K čisteniu korpusu a umelohmotných častí výrobkov nikdy nepoužívajte rozpušťačlá ani ostré, brusné čistiace prostriedky (napr. prášky alebo krémy na čistenie)! Používajte len tekuté jemné mycie prostriedky a mäkké handričky. Nepoužívajte spongie.

Odmrazovanie chladničky***

- Na zadnej strane chladničky vzniká námraza, ktorá je odstraňovaná automaticky. Behom odmrázovania sa môžu spolu s kondenzátom do otvoru žliabku dostávať nečistoty. Môže to spôsobiť upchatie otvoru. V takom prípade je potreba otvor ľahko pretlačiť čističom trubic (obr. 13).
- Spotrebič pracuje cyklicky: chladí (vtedy sa na zadnej stene tvorí námraza), následovne sa odmrázuje (kondenzát steká po zadnej stene).
- Pred započatím čistenia je treba bezpodmienečne odpojiť spotrebič od napajania vytiahnutím zástrčky zo sieťovej zásuvky, vypnutím lebo vyskrutkovaním poistky. Nie je prípustné, aby sa voda dostala do riadiaceho panelu lebo osvetlenia.
- Ku rozmrazovaniu neodporúčame používať prostriedky v spreji. Môžu spôsobiť vznik výbušných zmesí, obsahovať riedidla, ktoré môžu poškodiť plastové časti spotrebiča a dokonca byť nebezpečné pre zdravie.
- Venujte pozornosť tomu, aby pokiaľ možno voda používaná k umývaniu nestekala odtokovým otvorom do zásobníka odparovania.
- Celý spotrebič s výnimkou tesnenia dverí je treba umyť jemným čistiacim prostriedkom. Tesnenie vo dverách je treba vyčistiť čistou vodou a vytrieť dosucha.
- Je treba dôkladne umyť všetky súčasti výbavy (nádoby na zeleninu, dverné priehradky, sklenené police atd.).

Odmrazovanie mrazničky**

- Odmrazovanie mraziacej komory sa odporúča spojiť s umývaním výrobku.
- Väčšie nahromadenie ľadu na mraziacich plochách sťažuje prevádzkovú účinnosť spotrebiča a spôsobuje väčšiu spotrebu elektrickej energie.
- Odporúčame odmrázovať spotrebič prinajmenšom raz alebo dva razy do roka. V prípade väčšieho sa nahromadenia ľadu, odmrázovanie vykonávajte častejšie.
- Pokým sa vo vnútri nachádzajú výrobky, je potreba nastaviť otočný gombík do polohy max. asi 4 hodiny pred naplánovaným odmrážením. Zaisť to možnosť uchovávaní výrobkov pri teplote okolia po dlhšiu dobu.
- Po vytiahnutí potravín z mrazničky je potreba vložiť ich do misky, zabaliť do niekoľkých vrstiev novinového papiera, zavinúť do deky a uchovávať na chladnom mieste.
- Odmrazovanie mrazničky musí byť prevedené, pokiaľ je to možné, rýchlo. Dlhšie uchovávanie výrobkov pri teplote okolia skraca dobu ich použiteľnosti.

Pre odmrazenie mraziaceho priestoru mrazničky je potreba**

- Vypnite spotrebič pomocou riadiaceho panelu, potom vyjmite zástrčku zo zásuvky.
- Otvorte dvierka, vyjmite produkty.
- V závislosti od modelu vysuňte odtokový kanálik nachádzajúci sa v dolnej časti komory mrazničky a pristavte nádobu.
- Dvierka ponechajte otvorené, urýchli to proces rozmrazovania. Dodatočne je možné umiestiť v komore mrazničky nádobu s horúcou (ale nie vriacou) vodou.
- Umyte a vysušte vnútro mrazničky.
- Spotrebič uveďte do prevádzky v súlade s príslušným bodom v návode.

Automatické odmrazovanie chladničky****

Chladiaci priestor chladničky bol vybavený funkciou automatického odmrazovania. Predsa však na zadnej stene chladiaceho priestoru chladničky môže vznikáť námraza. Taktá sa prevažne deje, keď sa v chladiacom priestore uchováva veľa čerstvých potravinových výrobkov.

Automatické odmrazovanie mrazničky****

Mraziaci priestor mrazničky bol vybavený funkciou automatického odmrazovania (no-frost). Potraviny sú zmrazované chladiacim systémom obehového vzduchu a vlhkosť z mraziaceho priestoru mrazničky je odvádzaná von. Vo výsledku nevzniká v mrazničke zbytočná námraza a výrobky k sebe neprimirajú.

Ručné umývanie komory chladničky a mrazničky****

Priestor chladničky a mrazničky sa odporúča umyť najmenej jedenkrát za rok. Zabránuje to vzniku baktérií a neprijemných zápachov. Celý spotrebič je treba vypnúť tlačidlom (1), vytiahnuť výrobky a priestory umyť vodou s prídavkom jemného čistiaceho prostriedku. Napokon priestory vytrieť handričkou.

Vytáhovanie a vkladanie políc****

Vysunúť policu a potom vtlačiť na doraz tak, aby zátrepka police zaskočila do výrezu vodiacej lišty (obr. 15)

Vytáhovanie a vkladanie priehradky****

Nadvihnúť priehradku, vytiahnuť a nasadiť odhora späť do požadovanej polohy (obr. 16).

V žiadnom prípade sa nesmie dávať do vnútrajšku mrazničky elektrický, fúkací ohrievač ani fén na vlasy.

** Týka sa spotrebičov majúcich komoru mrazenia .

*** Týka sa spotrebičov s beznámrazovým systémom

Týka sa spotrebičov majúcich komoru chladničky.

**** Týka sa spotrebičov s beznámrazovým systémom

Týka sa spotrebičov vybavených beznámrazovým systémom

**** Týka sa mrazničiek

LOKALIZÁCIA ZÁVAD

Problém	Možné príčiny	Možné riešenia
Spotrebič nefunguje	Prerušený obvod elektrickej inštalácie	<ul style="list-style-type: none"> - skontrolovať, či je zástrčka správne vložená do zásuvky sieťového napájania - zistiť, či nie je poškodený napájací kábel spotrebiča - zistiť, či je v zásuvke napätie – pripojiť druhý spotrebič napr. stolnú lampičku - zistiť, či je spotrebič zapnutý – nastaviť termostat do polohy vyššej než „0“ / „OFF“.
Nefunguje osvetlenie vnútorného priestoru	Žiarovka nie je dotiahnutá alebo je vypálená (V spotrebičoch so žiarovkou).	<ul style="list-style-type: none"> - skontrolovať predchádzajúci bod "Spotrebič nefunguje" - dotiahnuť alebo vymeniť vypálenú žiarovku (V spotrebičoch so žiarovkou).
Nepretržitá prevádzka spotrebiča	<p>Nesprávne nastavenie otočného gombíka</p> <p>Ostatné príčiny ako v bode „Spotrebič príliš málo chladí a/lebo mrazí“</p>	<ul style="list-style-type: none"> - pretočiť otočný gombík do nižšej polohy - zistiť podľa predchádzajúceho bodu „Spotrebič príliš málo chladí a/lebo mrazí “
V dolnej časti chladničky voda	<p>Odtokový otvor vody je upchatý (týka sa spotrebičov s otvorom do odvádzania kondenzátu)</p> <p>Sťažená cirkulácia vzduchu vo vnútri priestoru</p>	<ul style="list-style-type: none"> - vyčistiť odtokový otvor (vid' Návod na obsluhu, kapitola - „Odmrazovanie chladničky“) - uložiť potravinové výrobky a nádoby tak, aby sa nedotýkali zadnej steny chladničky
Zvuky nevychádzajúce z normálnej prevádzky spotrebiča	<p>Spotrebič nie je správne</p> <p>Spotrebič sa dotýka nábytku a/lebo iných predmetov</p>	<ul style="list-style-type: none"> - správne ustaviť spotrebič - spotrebič postaviť voľne tak, aby sa nedotýkal iných

Problém	Možné príčiny	Možné riešenia
Spotrebič príliš málo chladí a/nebo mrazí	Nesprávne nastavenie otočného gombíka	- pretočiť otočný gombík do vyššej polohy
	Teplota okolitého prostredia je vyššia alebo nižšia od teploty uvedenej v tabuľke s technickou špecifikáciou spotrebiča	- Spotrebič je prispôbený do práce v teplote, ktorá je uvedená v tabuľke s technickou špecifikáciou spotrebiča.
	Spotrebič stojí na naslnočenom mieste lebo blízko tepelných zdrojov	- zmeniť miesto ustavenia spotrebiča podľa návodu na obsluhu
	Jednorázové naplnenie veľkým množstvom teplých výrobkov	- počkať asi 72 hodín na vychladnutie (zmrazenie) výrobkov a dosiahnutie žiadanej teploty vnútorného priestoru
	Sťažená cirkulácia vzduchu vo vnútri priestoru	- uložiť potravinové výrobky a nádoby tak, aby sa nedotýkali zadnej steny chladničky
	Sťažená cirkulácia vzduchu zo zadnej strany spotrebiča	- odsunúť spotrebič od steny min. 30 mm
	Dvere chladničky/mrazničky sú príliš často otvárané a/lebo ostávajú dlho otvorené	- obmedziť frekvenciu otvárania dverí a/lebo skrátiť dobu, po akú dvere ostávajú otvorené
	Dvere sa nedotvárajú	- výrobky a nádoby uložiť tak, aby nesťažovali zatváranie dverí
Kompresor sa zriedka zapína	- zkontrolujte, či teplota okolitého prostredia nie je menšia ako rozsah klimatickej triedy.	
Zle vloženie tesnenia dverí	- zatlačiť tesnenie	

Počas normálneho používania chladiaceho zariadenia môžu vystupovať rôzne zvuky, ktoré nemajú žiaden vplyv na bezchybnú prácu chladničky.

Zvuky, ktoré sa ľahko odstraňujú:

- hluk, keď chladnička nestojí zvisle - usmernite nastavenia pomocou nastaviteľných nožičiek spredu. Môžete takisto podložiť pod rolky zozadu mäkkú látku, najmä ak dlažka je vykonaná z podlahových dlaždíc
- ložiera sa o susedný nábytok - presuňte chladničku.
- škrípanie zásuviek alebo poličiek - vytiahnite a opätovne vložte zásuvku alebo poličku.
- Izvuky spôsobené dotýkajúcimi sa fľašami - odsuňte fľaše od seba.

Zvuky, ktoré môžu byť počuteľné počas správnej exploatácie vyplývajú z práce termostatu, kompresora (pripojenie), chladiacej sústavy (scvrkávanie a rozširovanie materiálu vplyvom teplotných rozdielov, ako aj prietoku chladiaceho médium).

Tisztelt Ügyfelünk

A mai naptól kezdve az Ön mindennapi teendői egyszerűbbek lettek mint valaha. A készülék **Amica** a könnyű használat és kiváló hatékonyság rendkívüli kombinációja. A használati utasítás elolvasását követően Önnek nem okoz gondot a kezelése.

A készülék, mely elhagyta a gyárat, gondosan ellenőrizve lett a csomagolás előtt a biztonságot és funkcionalitást illetően.

Kérjük Önöket, hogy a készülék üzembe helyezése előtt figyelmesen olvassák el a használati utasítást. A használati utasításban foglaltak betartása segít megelőzni a helytelen üzemeltetést. A használati utasítást meg kell tartani és el kell rakni úgy, hogy szükség esetén kéz alatt legyen.

A balesetek elkerülése érdekében gondosan követni kell a használati utasításban foglaltakat.

Tisztelettel,

Amica

BIZTONSÁGOS HASZNÁLAT- RA VONATKOZÓ ÚTMUTATÓK

- A készüléket csakis háztartásbeli használatra tervezték.
- A gyártó fenntartja magának a jogot olyan újítások bevezetésére, melyek nem lesznek hatással a készülék használatára.
- A jelen használati utasítás néhány részlete vonatkozik az összes típusú hűtőkészülékre, (hűtő, hűtő-mélyhűtő illetve mélyhűtő). Az Ön készüléktípusára vonatkozó információk a készülékhez mellékelt adatlapon találhatóak.
- A gyártó nem vállal felelősséget az alábbi útmutatóban található szabályok be nem tartása okozta károkért.
- Kérjük az alábbi útmutató megőrzését a későbbi felhasználás vagy az esetleges következő felhasználónak történő átadása céljából.
- Az alábbi készüléket fizikálisan, érzékileg vagy pszichésen sérült személyek (köztük gyermekek), valamint tapasztalatlan, vagy a készüléket nem ismerő személyek nem használhatják, kivéve, ha ez felügyelet mellett történik, illetve biztonságért felelős személy által átadott készülék használati útmutatójának megfelelően.
- Különös figyelmet kell fordítani arra, hogy a berendezést nélkül hagyott gyermekek ne használhassák felügyelet. Nem szabad megengedni a gyermekeknek, hogy játszanak a készülékkel. Nem szabad a gyermekeknek a kitolható elemekre ülniük és az ajtóra kapaszkodniuk.
- A hűtő-fagyasztó a készülék műszaki specifikációjában megadott hőmérsékleten működik megfelelően. Nem szabad pincében, bejáróban, nem fűtött nyaralóban ősszel és télen használni.
- A berendezést beállítás, mozgatás, megemelés során nem szabad az ajtó fogantyúnál fogva mozgatni, a hűtő hátulján található kondenzátornál fogva húzni, illetve a kompresszor egységet megérinteni.
- A hűtő-fagyasztót szállítás, mozgatás vagy meg-

emelés során nem szabad függőleges vonalban több, mint 40°-ban megdőnteni. Amennyiben ez bekövetkezik, a berendezést a beállítás után leg hamarabb 2 óra elteltével szabad bekapcsolni (2. rajz).

- Minden karbantartási művelet előtt ki kell húzni a dugaszt a hálózati aljzataból. Nem szabad a vezetéknel fogva húzni, hanem a dugaszt a törzsénél kell fogni.
- Kattanásként vagy törésként hallható hangok az elemek hőmérséklet változás következtében bekövetkező tágulásának vagy zsugorodásának az eredménye.
- Biztonsági okoknál fogva a berendezést nem szabad önállóan megjavítani. A szakképesítéssel nem rendelkező személyek által végrehajtott javítások súlyos veszélyhelyzetet teremthetnek a berendezés felhasználója számára.
- Amennyiben megsérül a hűtőrendszer, néhány percen keresztül át kell szellőztetni a helyiséget, ahol a berendezés található (a helyiség területének izobután/R600a termék esetén legalább 4m³ kell lennie).
- A már akár részben felengedett termékeket nem szabad újra lefagyasztani.
- Az üveges vagy dobozos italokat, különösen a szén-dioxiddal dúsított italokat nem szabad a fagyasztóban tárolni. A dobozok és az üvegek megrepedhetnek.
- Nem szabad a lefagyasztott termékeket közvetlenül a fagyasztóból való kivételük után szájba venni (fagyaltok, jégkockák, stb.), azok alacsony hőmérséklete kellemetlen fagyást okozhatnak.
- Vigyázni kell, hogy ne károsítsa meg a hűtőrendszert, pl. a párologtató hűtővezetékeinek a megszurásával, cső eltörésével. A kifröccsenő hűtőközeg éghető. Amennyiben szembe jut, tiszta vízben ki kell öblíteni és azonnal orvoshoz kell fordulni.
- Ha a csatlakozó kábel megsérül, ki kell cserélni egy erre hivatott szakszervizben.
- A készülék élelmiszer tárolására szolgál, más célra ne használja.

- A készüléket áramtalanítani kell (kihúзва a dugót a konnektorból) az olyan típusú feladatok elvégzése során, mint a tisztítás, karbantartás, vagy az elhelyezés helyének megváltoztatása.
- Ezt a készüléket a nyolc éves korú illetve annál idősebb gyerekek, csökkent fizikai, érzékelési vagy szellemi képességekkel rendelkező személyek, olyan személyek, akiknek a szükséges tapasztalatuk, tudásuk hiányzik, csak akkor használhatják, ha egy, az ő biztonságukért felelős személy felvilágosította őket a készülék biztonságos használatáról illetve felügyeli őket a készülék használata során, s ők tisztában vannak az esetleges veszélytípusokkal. Gyerekek nem játszhatnak a készülékkel. A készülék karbantartását és tisztítását nem végezhetik el gyerekek, kivéve, ha betöltötték nyolcadik életévüket, s felnőtt felügyeli őket.
- Annak érdekében, hogy több hely legyen a fagyasztóban, ki lehet venni a fiókokat s a termékeket közvetlenül a polcokon lehet tárolni. Ez nem befolyásolja a készülék termikus és mechanikai tulajdonságait. A fagyasztórekesz hasznos térfogata a kivett fiókokkal lett kiszámítva.



FIGYELMEZTETÉS: Tűzveszély / éghető anyagok

- A 3 és 8 év közötti gyermekek behelyezhetik és eltávolíthatják a termékeket a hűtőkészülékből.

Az élelmiszer-szennyeződés elkerülése érdekében kövesse az alábbi szabályokat:

- Az ajtó hosszú ideig tartó kinyitása jelentősen növelheti a készülék kamráinak hőmérsékletét.
- Rendszeresen tisztítsa meg az élelmiszerekkel érintkező felületeket, és az előfordulástól függően a rendelkezésre álló vízelvezető rendszereket.
- A nyers húst és a halat megfelelő tárolóedényekben tárolja a hűtőszekrényben, hogy ne érintkez-

zenek más élelmiszerekkel, és ne csöpögjenek más élelmiszerekre.

- A kétcsillagos fagyasztott élelmiszer tárolására szánt terek a korábban lefagyasztott élelmiszerek tárolására, fagyalt tárolására vagy fagyasztására, valamint a jégkockák fagyasztására szolgálnak.
- Az egycsillagos, kétcsillagos és háromcsillagos fagyasztott élelmiszer tárolására szánt terek nem a friss ételek fagyasztására szolgálnak.

	Az élelmiszer tárolására szánt terek típusai	Tárolási célhőmérséklet [°C]	Megfelelő élelmiszer
1	Hűtőszekrény	+2≤+8	Tojás, főtt ételek, csomagolt élelmiszerek, gyümölcsök és zöldségek, tejtermékek, sütemények, italok és egyéb, fagyasztásra nem alkalmas termékek.
2	Élelmiszer-fagyasztó ✱***	≤-18	Tenger gyümölcsei (hal, garnélarák, kagyló), édesvízi termékek és húskészítmények (az ajánlott tárolási idő 3 hónap, minél hosszabb a tárolási idő, annál kevésbé ízletes és tápláló a termék), frissen fagyasztott termékekhez.
3	Élelmiszer-fagyasztó ***	≤-18	Tenger gyümölcsei (hal, garnélarák, kagyló), édesvízi termékek és húskészítmények (az ajánlott tárolási idő 3 hónap, minél hosszabb a tárolási idő, annál kevésbé ízletes és tápláló a termék), nem alkalmas frissen fagyasztott termékekhez.
4	Élelmiszer-fagyasztó **	≤-12	Tenger gyümölcsei (hal, garnélarák, kagyló), édesvízi termékek és húskészítmények (az ajánlott tárolási idő 2 hónap, minél hosszabb a tárolási idő, annál kevésbé ízletes és tápláló a termék), nem alkalmas frissen fagyasztott termékekhez.
5	Élelmiszer-fagyasztó *	≤-6	Tenger gyümölcsei (hal, garnélarák, kagyló), édesvízi termékek és húskészítmények (az ajánlott tárolási idő 1 hónap, minél hosszabb a tárolási idő, annál kevésbé ízletes és tápláló a termék), nem alkalmas frissen fagyasztott termékekhez.
6	Nulla csillagos tér	-6≤0	Friss sertéshús, marhahús, hal, csirke, néhány csomagolt, feldolgozott termék stb. (ugyanazon a napon ajánlott a fogyasztás, de lehetőleg legfeljebb 3 napon belül). Részben feldolgozott, csomagolt termékek (fagyasztásra nem alkalmas termékek)

7	Sokkoló hűtőtér	2≤+3	Friss/fagyasztott sertéshús, marhahús, csirke, édesvízi termékek stb. (7 nap 0°C alatt, 0°C fölött ugyanazon a napon ajánlott a fogyasztás, de lehetőleg legfeljebb 2 napon belül). Tenger gyümölcsei (0°C alatt 15 napig, a 0°C feletti hőmérsékleten történő tárolás nem ajánlott)
8	Friss élelmiszerek tárolására alkalmas tér	0≤+4	Friss sertéshús, marhahús, hal, csirke, főtt termékek stb. (ugyanazon a napon ajánlott a fogyasztás, de lehetőleg legfeljebb 3 napon belül).
9	Bor tárolására szánt tér	+5≤+20	Vörös, fehér, pezsgő stb.

- **Megjegyzés:** A termékeket a terek előírásainak megfelelően vagy a termék tárolási hőmérsékletének megfelelően tárolja.
- Ha a hűtőkészüléket hosszabb ideig nem használják és nem töltik fel élelmiszerekkel, akkor azt ki kell kapcsolni, le kell olvasztani, meg kell mosni, szárítani és nyitva kell hagyni, hogy elkerüljük a penésznövekedést.
- A vízadagoló tisztítása (vízadagolóval ellátott termékek esetén): Tisztítsa meg a víztartályokat, ha azokat nem használta az elmúlt 48 órában; ha a vizet 5 napig nem engedték le, öblítse ki a vízellátó rendszerhez csatlakoztatott vízrendszert.
- A készülék javításához szükséges alkatrészek rendelkezésre állásának minimális időtartama 7 illetve 10 év, a pótalkatrész típusától és felhasználási céljától függően, és ez összhangban áll a Bizottság (EU) 2019/2019 számú rendeletével.
- A pótalkatrészek listája és a megrendelési eljárás a gyártó, az importőr vagy a meghatalmazott képviselő honlapján érhető el.
- A termékkel kapcsolatos további információk az EU EPREL Termék Adatbázisában található a <https://eprel.ec.europa.eu> honlapon. Termékinformációkat az energiacímkén található QR-kód beolvasásával, vagy az energiacímkéből a termék modelljének az EPREL keresőmotorjába való beírásával szerezhet.

A BERENDEZÉS BETELEPÍTÉSE ÉS MUNKAFELTÉTELEI

Ezt a hűtőkészüléket nem szánták beépített készülékként történő felhasználásra.

Telepítés az első elindítás előtt

- Csomagolja ki a terméket, távolítsa el az ajtót és a felszerelést biztosító ragasztószalagot. Az esetleges maradék ragasztószalagot lágy mosószerrel lehet eltávolítani.
- A csomagolás hungarocell elemeit nem szabad kidobni. Újra történő szállítás esetén a hűtő-fagyasztót a hungarocell és a fólia elemekbe kell visszacsomagolni, valamint ragasztószalaggal bebiztosítani.
- A hűtő-fagyasztó belsejét, valamint a felszerelés elemeit langyos, mosószeres vízben át kell mosni, majd megtörölni és hagyni megszáradni.
- A hűtő-fagyasztót egyenletes, vízszintes és stabil aljzatra kell állítani, száraz, szellőzött és naptól védett helyiségben, távol olyan meleg forrástól, mint a konyha, központi fűtés fűtőteste, központi fűtőcső, meleg víz tároló stb.
- A termék külső részein védőfólia található, ezt el kell távolítani.
- Biztosítani kell a termék vízszintben való beállítását 2 szabályozható első láb becsavarásával (3. rajz).
- Az ajtó akadálymentes kinyitásának érdekében a termék oldalfala (az ajtópántok oldalán) és a fal közötti távolságot az 5. számú illusztráció ábrázolja.*
- Biztosítani kell a helyiség megfelelő szellőzését és a levegő szabad mozgását a készülék mind a négy oldalán (6. rajz).*

Hőforrástól való minimális távolság

- elektromos, gáz és egyéb tűzhelytől - 30 mm,
- olaj vagy szénfűtésű kazánoktól - 300 mm,
- beépített tűzhelyektől - 50 mm

Amennyiben a fent meghatározott távolságok betartása nem lehetséges, megfelelő szigetelő lemezt kell használni.

Figyelem:

- A hűtő hátsó fala, különösen a kondenzátor és a hűtőrendszer egyéb elemei nem érintkezhetnek a többi elemmel, amelyek sérülést okozhatnak, különösen (központi fűtőcsővel és a víz bevezető csővel).
- Megengedhetetlen az aggregát elemeinek bármilyen módosítása. Különös figyelmet kell fordítani arra, hogy ne károsítsa meg a kapilláris csövet, amely a kompresszor belsején látható. Ezt a csövet nem lehet megnyomni, kiegyenesíteni vagy csavarni.
- A kapilláris cső felhasználó okozta sérülése a garanciális jogok elvesztésével jár (8. rajz).
- A kiválasztott modellekben az ajtófogantyú a készülék belsejében található s saját csavarhúzó segítségével kell azt felerősíteni.

Tápellátás csatlakoztatása

- Mielőtt csatlakoztatná a készüléket, állítsa a hőmérséklet szabályzó gombot az „OFF” állásba illetve egyéb állásba, ami a készülék áramtalanítását vonja maga után (lásd az irányítópanel leírását tartalmazó lapot).
- A berendezést 230V, 50 Hz váltakozó áramú hálózatra kell csatlakoztatni, megfelelően feltelepített, földelt és 10A biztosítókkal bebiztosított elektromos aljzatra.
- A berendezés földelését jogszabályok írják elő. Az alábbi jogszabályban előírt kötelezettség be nem tartásából eredő minden, személyeken vagy tárgyakon okozott esetleges sérülésekért és károkért a gyártó nem vállal felelősséget.
- Nem szabad adaptációs kapcsolókat, többszörös aljzatokat (elosztókat), kéteres hosszabbító kábelt használni. Amennyiben szükség lenne hosszabbító használatára, az csak védőkörrel, egyaljzatos VDE/GS tanúsítvánnyal rendelkező hosszabbító lehet.
- Amennyiben hosszabbítót használ (védőkörrel, biztonsági jellel rendelkezőt), aljzatának biztonságos távolságra kell lennie a mosogatótól és vízzel, valamint egyéb folyadékokkal nem érintkezhet.
- Az adatok a kamra belsejében az alsó falon lévő adattáblán találhatóak**.

Tápellátás lekapcsolása

Biztosítani kell a berendezés tápellátástól való lekapcsolás lehetőségét a dugasz kihúzásával vagy a kétpólusú kapcsoló kikapcsolásával (9. rajz).

KLÍMAOSZTÁLY

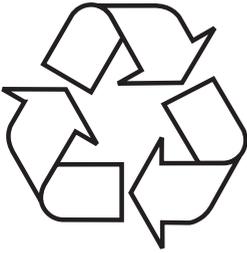
A berendezés klímaosztályáról szóló információ az adattáblán található. Azt jelzi, hogy a termék milyen környezeti hőmérsékleten (úm. a helyiségben, ahol működik) működik optimálisan (megfelelően).

Klíma osztály	Megengedett környezeti hőmérséklet
SN	kiterjesztett mérsékelt A hűtőkészüléket 10°C és 32°C közötti környezeti hőmérsékleten történő használatra szánták
N	mérsékelt A hűtőkészüléket 16°C és 32°C közötti környezeti hőmérsékleten történő használatra szánták
ST	szubtrópusi A hűtőkészüléket 16°C és 38°C közötti környezeti hőmérsékleten történő használatra szánták
T	trópusi A hűtőkészüléket 16°C és 43°C közötti környezeti hőmérsékleten történő használatra szánták

* Nem vonatkozik a beépítésre szánt készülékekre.

** Modelltől függően

KICSOMAGOLÁS



A készülék a szállítás idejére megfelelő módon be lett csomagolva a biztonság érdekében. Miután kicsomagoltuk a készüléket, a csomagolást környezetkímélő módon kell eltakarítani. Az összes csomagolóanyag a környezet számára ártalmatlan, 100% újrahasználatos és megfelelő jelekkel van

ellátva.

Figyelem! A csomagolóanyagokat (polietilén zacskók, polisztirol stb.) a kicsomagolás közben tartsuk távol a gyerekektől.

A HASZNÁLT KÉSZÜLÉKEK ELTÁVOLÍTÁSA



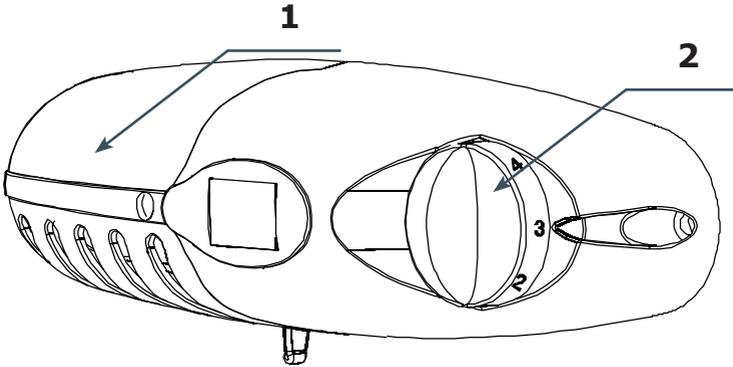
Ez a készülék el lett látva az 2012/19/EU direktíva. Ez a jelzés arról tájékoztat, hogy a készülék, miután használatát befejeződött, nem kerülhet a szemétkébe az összes többi házi hulladékkal együtt.

A felhasználó köteles az elhasznált készüléket egy elektronikus és elektromos hulladékgyűjtő pontban leadni. A hulladékgyűjtő pontok, többek között a lokális pontok, a boltok, az önkormányzati szervezetek egy rendszert alkotnak, mely lehetővé teszi a hulladék leadását. Az elektronikus és elektromos hulladékkal való megfelelő bánásmód segít megelőzni az emberi egészségre és környezetre káros mellékhatásokat, melyeket a hulladékkal való nem megfelelő bánásmód és a hulladékban található veszélyes anyagok okozhatnak.

IRÁNYÍTÁS

A készülék irányítása

A vezérlőpanelt a 10 ábrán mutattuk be, emlékeztetőként az alábbiakban is látható:



- 1 - Fényforrás
- 2 - Termosztát

Hőmérséklet-szabályozás a készüléken belül

A csavargomb beállításával megváltoztatja a készülék hőmérsékletét:

OFF/0 beállítás A készülék ki van kapcsolva

1. beállítás A készüléken belüli hőmérséklet magas (belül melegebb)

2-6. beállítások A készülékben átlagos hőmérséklet honol.

7. beállítás A készüléken belüli hőmérséklet alacsony (belül hidegebb)

Figyelem:

- A készüléken található termosztát-szabályozó csavargomb skálája eltérhet ettől a leírástól. Működésének általános elve megegyezik a fentiekkel.
- Ha az On csavargombján nincs megjelölve az "OFF" vagy "0" beállítás, akkor a készülék teljes kikapcsolása a tápkábel kihúzásával történhet. A szétkapcsolás előtt állítsa be a legkisebb értéket a termosztáton.

További információk a hőmérséklettel kapcsolatban

- A készülék belsejében lévő hőmérsékletet számos tényező befolyásolja. A csavargomb beállítása többek között a környezeti hőmérséklettől, a napsugárzásnak való kitettség mértékétől, a készülék ajtajának nyitási gyakoriságától és az élelmiszer mennyiségétől függ. A csavargomb közbelső beállítása a legtöbb esetben a legoptimálisabb.
- Nem szabad megtölteni a kamrákat a berendezés lehűtése előtt min. 4 óra után.
- Nem szabad megváltoztatni a hőmérséklet beállítást az évszak változásától függően. A környezeti hőmérséklet növekedését érzékeli érzékelő és a kompresszor automatikusan hosszabb időre bekapcsol a tér belsejében beállított hőmérséklet megőrzésére.
- A kisebb hőmérséklet változás normális jelenség és például akkor léphet fel, amennyiben a hűtőben nagy mennyiségű friss terméket tárol, vagy ha az ajtó hosszabb ideig nyitva marad. Ez nem lesz hátrással az élelmiszerekre, a hőmérséklet pedig gyorsan visszatér a beállítási szintre.

VILÁGÍTÁS

Ez a fejezet a gyárilag izzólámpás világítással és E14 menetes lámpa formájában LED megvilágítással felszerelt egyes készülékekre vonatkozik.

Égőcsere

- A csavargombot állítsa „OFF” helyzetbe, majd pedig húzza ki a dugót a konnektorból.
- Vegye le az égő fedőjét és húzza ki az égőt (18 rajz).
- Cserélje ki az izzót egy azonos paraméterű, jó izzóra, mint a készülékben gyárilag felszerelt izzó (220-240V, E14 menetes, max. izzóméretek: átmérő 26mm, hossz 55mm).
- Tegye fel az égő fedőjét.
- Ne használjon kisebb illetve nagyobb teljesítményű égőket, csak a fenti paraméterekkel megegyezőket.

Figyelem:

- A készülék világítását nem szabad használni a helyiség megvilágítására.
- Ha a jelen használati utasításban nincsen 18-as számú ábra, akkor az izzó cseréjét csak a márkaszervíz szakképzett szakembere végezheti el.

KEZELÉS ÉS FUNKCIÓK

A termékek hűtőben és fagyasztóban való tárolása

- A termékeket tálcákra, tárolódobozokba kell helyezni vagy élelmiszer tárolására alkalmas fóliába kell csomagolni. A termékeket egyenletesen kell elosztani a polcokon.
- Fordítson figyelmet arra, hogy az élelmiszer nem érintkezik a hátsó fallal, ha igen, az a termékek deresedését vagy nedvesedését okozhatja.
- Nem szabad a hűtőbe forró ételt tartalmazó edényt helyezni.
- Az idegen szagokat könnyen átvevő termékeket, mint amilyen a vaj, a tej, a túró, valamint azon ételeket, amelyek intenzív szagot bocsátanak ki, mint pl. a halak, felvágottak, sajtok – a polcokra fóliába csomagoltan vagy zárt tárolódobozokban tárolva kell helyezni.
- Magas víztartalommal rendelkező zöldségek tárolása vízpára keletkezését okozza a zöldségtartó dobozon; ez nem zavarja a hűtő megfelelő működését.
- Mielőtt behelyezné a zöldségeket a hűtőbe, jól meg kell szárítani azokat.
- A túl nagy vízmennyiség csökkenti a zöldségek tárolási idejét, különösen a leveles zöldségekét.
- A zöldségeket mosatlan állapotban kell tárolni. A zöldségek megmosása eltávolítja azok természetes védelmét, ezért a zöldségeket jobb közvetlenül a fogyasztás előtt megmosni.
- Az élelmiszer termékeket a természetes tárolási szint felső határáig ajánlatos elrendezni az 1, 2, 3* kosárban (11a/11b. Rajz).**

1. Csomagolt termékek
2. Elpárolgató polc / polc
3. A természetes tárolási szint
4. ❄️***

- A fagyasztó szellőzőrácsára élelmiszert elhelyezni szabad.*
- A polcokon az élelmiszer kilóghat 20-30 mm-rel a természetes tároló határhoz képest.**
- Lehetőség van kivenni az alsó kosarat növelve ezzel a tároló térfogatot, és a hűtőt a maximális magasságig élelmiszerral feltölteni.*

Termékek fagyasztása**

- Szinte minden élelmiszert le lehet fagyasztani, kivéve a nyers állapotban fogyasztott zöldségeket, pl. zöld saláta.
- A fagyasztáshoz csak a legjobb minőségű élelmiszert szabad használni, egyszeri fogyasztásra kialakított adagokba osztva.
- A termékeket szagmentes, légzáró és nedvességnek ellenálló, zsírra nem érzékeny anyagokba kell csomagolni. A legjobb anyagok: polietilén, alumínium fóliatasakok, ívek.
- A csomagolásnak hézagmentesnek kell lennie és szorosan tapadniuk kell a fagyasztott termékekre. Nem szabad üveg csomagolást használni.

- A friss és meleg élelmiszernek (környezeti hőmérsékletben), amelyeket fagyasztás céljából helyez be, nem szabad érintkezniük a már lefagyasztott élelmiszerrel.
- Javasoljuk, hogy egy nap alatt ne helyezzen a mélyhűtőbe több friss élelmiszerterméket, mint azt a készülék műszaki specifikációja előírja.
- A fagyasztott élelmiszerek jó minősége megőrzése céljából ajánlott a fagyasztó középső részén lévő fagyasztott termékeket úgy csoportosítani, hogy ne érintkezzenek a még nem lefagyasztott termékkel.
- Ajánlatos a fagyasztott adagokat a fagyasztó terének egyik oldalára helyezni, míg a friss, fagyasztandó adagokat a másik oldalra maximálisan a hátsó és oldalsó falhoz tolni.
- Az élelmiszer fagyasztásához használjuk a ❄️ jellel jelölt részleget.
- Emlékezni kell rá, hogy a fagyasztótérben uralkodó hőmérsékletre hatással van többek között: a környezeti hőmérséklet, az élelmiszer termékekkel való feltöltési szint, az ajtónyitás gyakorisága, a fagyasztó eljegesedésének a szintje, a termosztát beállítása.

A lefagyasztott termékek tárolási ideje függ azok fagyasztás előtti friss állapotban való minőségétől, valamint a tárolási hőmérséklettől. -18°C vagy alacsonyabb hőmérsékleten való tárolás esetén az alábbi tárolási idők ajánlottak:

Termékek	Hónap
Marhahús	6-8
Borjúhús	3-6
Belsőségek	1-2
Sertés	3-6
Szárnyas	6-8
Tojások	3-6
Halak	3-6
Zöldségek	10-12
Gyümölcsök	10-12

A gyorsfagyasztó kamra nem használható fagyasztott élelmiszer tárolására. Ebben a kamrában jégkockát lehet előállítani és tárolni.

Figyelem: Ha a készüléknek nincs kamrája ❄️, ez azt jelenti, hogy ez a hűtőkészülék nem alkalmas élelmiszerek fagyasztására.

* Az alul mélyhűtő kamrával felszerelt készülékekre vonatkozik

** Mélyhűtő kamrával felszerelt készülékekre vonatkozik ❄️

*** Nem vonatkozik a ❄️ jellel ellátott mélyhűtő kamrával felszerelt készülékekre

A HŰTŐSZEKRENY GAZDASÁGOS HASZNÁLATA

Praktikus tippek

- Ne helyezzük a hűtőt illetve mélyhűtőt radiátorok, sütők közelébe illetve védjük a tűző napfénytől
- Bizonyosodjunk meg arról, hogy a szellőzőnyílások nincsenek eltakarva. Évente egyszer-kétszer tisztítsuk meg őket.
- Válasszuk ki a megfelelő hőmérsékletet: A 6 - 8°C a hűtőben és a -18°C a mélyhűtőben az optimális hőmérséklet.
- Amikor nyaralni megyünk, vegyük nagyobbra a hőmérsékletet.
- A hűtő illetve mélyhűtő ajtaját csak akkor nyissuk ki, amikor szükséges. Jó tudni, hogy milyen élelmiszert tárolunk a hűtőben s hogy pontosan melyik részében. A fel nem használt élelmiszert minél hamarabb vissza kell rakni a hűtőbe illetve mélyhűtőbe, mielőtt felmelegedne.
- Törölje meg rendszeresen a hűtő belsejét egy enyhe mosószerbe áztatott ronggyal. A készülék nincs felszerelve automatikus leolvasztás funkcióval, ezért időközönként le kell olvasztani. Ne engedjük, hogy 10 mm-nél vastagabb zúzmara réteg formázódjon.
- Az ajtó szigetelését tartsuk tisztán, különben az ajtó nem fog jól becsukódni. Ha a szigetelés megsérül, mindig ki kell cserélni.

Mit jelentenek a csillagok?



A -6°C foknál nem magasabb hőmérséklet elégséges a mélyhűtött élelmiszer egy hétig tartó tárolására. Az egy-csillagos szekrények illetve rekeszek (általában) az olcsóbb hűtőszekrényekben találhatóak.



A -12°C foknál nem magasabb hőmérsékleten az élelmiszert 1-2 hétig lehet eltartani az íz tulajdonságok megváltoztatása nélkül. Nem elégséges az élelmiszer fagyasztására.



Főleg a -18°C alatti hőmérsékleten történő fagyasztásra alkalmas. Lehetővé teszi 1 kg friss élelmiszer lefagyasztását.



E jel azt jelenti, hogy a készülék alkalmas -18°C foknál alacsonyabb hőmérsékleten történő nagyobb mennyiségű élelmiszerek fagyasztására.

Tárolási zónák a hűtőben

A természetes légáramlás miatt a hűtőben különböző hőmérsékletű zónák találhatóak:

- A leghidegebb rész a zöldségtárolásra szolgáló rekeszek felett van. Ezen a részen a finom és gyorsan romló élelmiszereket ajánlatos tárolni, mint például
 - Halak, hús, szárnyasok,
 - Felvágottak, kész ételek
 - Tojást illetve tejszínt tartalmazó kész ételek és sütemények
 - Friss tészta, sütemény keverékek
 - Előre csomagolt zöldségek és más friss ételek, melyek címkéje szerint kb. 4°C fok hőmérsékleten kell őket tartani.
- Az ajtó felső része a legmelegebb. Itt ajánlatos a vajot és sajtot tárolni.

Azok a termékek, amelyeket nem ajánlatos hűtőben tartani

- Nem minden élelmiszer tartható hűtőben. Ezek többek között a:
 - Gyümölcs-és zöldségfélék, amelyek érzékenyek a hidegre, mint a banán, avokádó, papaya, marakuja, padlizsán, paprika, paradicsom és uborka,
 - Éretlen gyümölcsök,
 - Burgonya

Figyelem:

Az élelmiszerek példaképpen elrendezése a készülékben (12. rajz).

Annak érdekében, hogy az élelmiszer a lehető leghosszabb ideig eltartható legyen és hogy elkerüljük annak pazarlását, helyezze be a termékeket a 12. rajznak megfelelően. Ezenkívül ez a rajz szemlélteti a fiókok, kosarak és polcok azon eloszlását, amely lehetővé teszi az energia leghatékonyabb felhasználását a hűtőkészülékben.

Az élelmiszerek megfelelő körülmények között és hőmérsékleten történő tárolása meghosszabbítja azok eltarthatóságát és optimalizálja az áramfogyasztást. A megfelelő hőmérsékleti tartományt fel kell tüntetni az élelmiszerek csomagolásán vagy címkéin.

LEOLVASZTÁS, MOSÁS ÉS KARBANTARTÁS

A hűtőház és a műanyag elemek tisztításához ne használjon oldószereket illetve karcoló tisztítószerkeket (pl. súrolóporokat illetve súrolókérmeket)! Csak folyékony, lágy hatású tisztítószerkeket és puha ruhákat használjon. Ne használjon szivacsot.

Hűtő leolvasztása***

- A hűtőtér hátsó falán dér keletkezik, amely automatikusan kerül eltávolításra. A leolvasztás során, a kondenzvízzel együtt az elvezetőcső nyílásába szennyeződések is kerülhetnek. Ez a nyílás elzáródását okozhatja. Ilyen esetben a nyílást óvatosan át kell szűrni a szűrővel (13. rajz).
- A berendezés ciklikusan működik: hűt (ekkor a hátsó falon lerakódik a dér) majd leolvaszt (a vízcseppek lecsurognak a hátsó falon).
- A tisztítás megkezdése előtt feltétlenül le kell kapcsolni a tápellátást a dugasz hálózati aljzatról történő kihúzásával, vagy a biztosíték kikapcsolásával vagy kicsavarásával. Nem szabad megengedni, hogy a víz a vezérlőpanelre vagy a világításba kerüljön.
- Nem ajánljuk az aerosolba kiszerelt olvasztószert használatát. Ezek robbanókeverékek létrejöttét okozhatják, valamint olyan oldószereket tartalmazhatnak, amelyek sérülést okozhatnak a berendezés műanyag részein, akár az egészségre is káros lehet.
- Ugyelni kell rá, hogy a lehetőségek szerint a mosáshoz használt víz ne folyjon az elvezető nyíláson át a párolgató tartályba.
- Az egész berendezést az ajtó tömítésén kívül lágy mosószerrel kell mosni. Az ajtó tömítését tiszta vízzel kell megtisztítani és szárazra törölni.
- A berendezés összes elemét alaposan meg kell mosni (zöldségtartók, ajtópolcok, üvegpalcok stb.).

Fagyasztó felolvasztása**

- A fagyasztó kamrájának a leolvasztását a termék megmosásával ajánlatos összekapcsolni.
- A jég nagyobb felgyülemlése a fagyasztó felületeken megnehezíti a berendezés működésének a hatékonyságát és nagyobb elektromos áram fogyasztást eredményez.
- Ajánlatos a berendezést legalább évente egyszer vagy kétszer leolvasztani.
- Amennyiben a berendezésben élelmiszer termékek találhatóak, akkor a forgatógombot körülbelül 4 órával a tervezett felolvasztás előtt max pozícióra kell állítani. Ez lehetővé teszi a termékek környezeti hőmérsékleten történő hosszabb ideig tartó tárolását.
- Miután kivette az élelmiszert a fagyasztóból, azokat egy tálba kell helyezni és néhány réteg újságpapírral be kell csomagolni, majd pokrócba tekerni és hűvös helyen tárolni.
- A fagyasztó leolvasztását lehetőleg gyorsan kell végrehajtani. A termékek hosszabb ideig való tárolása környezeti hőmérsékleten rövidíti azok szavatosságá idejét.

A kamra dérmentesítése céljából a következők a teendők**

- Kapcsolja ki a készüléket a vezérlőpanel segítségével majd pedig húzza ki a dugót a konnektorból.
- Nyissa ki az ajtót és vegye ki termékeket.
- Modelltől függően húzza ki az elvezető csatornát, mely a mélyhűtőkamra alsó részén található, és tegyen alá egy edényt.
- Hagyja nyitva az ajtót, ez felgyorsítja a leolvasztás folyamatát. Ezenfelül a mélyhűtőkamrába be lehet tenni egy forró (de nem forrásban lévő) vízzel teli edényt.
- Mossa meg és szárítsa meg a mélyhűtő belsejét.
- Indítsa el a készüléket a használati utasításban foglaltak szerint.

Hűtő automatikus leolvasztása**

A hűtőtér automatikus leolvasztás funkcióval rendelkezik. Ennek ellenére a hűtőtérnek a hátsó falán dér keletkezhet. Ez általában akkor történik, amikor sok friss élelmiszer terméket tárol a hűtőtérben.

Fagyasztó automatikus leolvasztása****

A fagyasztótér automatikus leolvasztás funkcióval rendelkezik (no-frost). Az élelmiszer lefagyasztása hűtött keringési levegővel történik, míg a nedvesség a fagyasztótérből kerül kivezetésre. Ennek eredményeképpen a fagyasztóban nem keletkezik fölösleges jégesedés és dér, míg a termékek nem fagnak egymáshoz.

Hűtő és fagyasztóterek kézi megmosása****

Ajánlatos, hogy legalább évente egyszer mossa meg a hűtő és a fagyasztótérét. Ez megelőzi a baktériumok és a kellemetlen szagok keletkezését. Az egész berendezést ki kell kapcsolni a gombbal (1), ki kell venni a kamrából a termékeket és enyhén mosószeres vízzel meg kell mosni. A végén törülközővel szárazra kell törölni.

Polcok kivétele és behelyezése*****

Tolja ki a polcot, majd tolja be ellenállásig, hogy a polc kattanója a vezetőre kerüljön (15. rajz).

Ajtópolc kivétele és behelyezése*****

Emelje fel az ajtópolcot, vegye ki és helyezze vissza felülről a megfelelő helyre (16. rajz).

Semmilyen esetben sem szabad a fagyasztó belsejébe elektromos vagy légfúvó fűtőtestet, hajszárítót helyezni a leolvasztás meggyorsítása céljából.

** Mélyhűtő kamrával felszerelt készülékekre vonatkozik .

*** Nem vonatkozik a Dérmentes rendszerű készülékekre.

*** Mélyhűtő kamrával felszerelt készülékekre vonatkozik.

**** Nem vonatkozik a Dérmentes rendszerű készülékekre.

**** Dérmentes rendszerű készülékekre vonatkozik

***** Nem vonatkozik a mélyhűtőkre

HIBÁK LOKALIZÁCIÓJA

Zavarok	Lehetséges okok	Eljárás módja
A készülék nem működik	Szünet az áramellátásban	Rosszul beállított szabályozó forgatógomb További okok, mint az előző "A berendezés túl lassan hűt és/vagy fagyaszt" pont szerint A víz elvezető nyílása el van dugulva (csak a csepegtető nyílással ellátott készülékek-nél) Megnehezített levegő keringés a kamra belsejében A berendezés nincs kiszintezve A berendezés érintkezik a bútorral és/vagy egyéb tárgyakkal
Nem működik a hűtőtér belsejében a világítás	Nem működik a hűtőtér belsejében a világítás	- ellenőrizze az előző „Nem működik a berendezés” pontot – csavarja be vagy cserélje ki a kiégett izzót (Az izzó világítású készülékek-ben).
Berendezés folyamatos munkája	Rosszul beállított szabályozó forgatógomb További okok, mint az előző "A berendezés túl lassan hűt és/vagy fagyaszt" pont szerint	- állítsa a forgatógombot alacsonyabb pozícióra - ellenőrizze az előző "A berendezés túl lassan hűt és/vagy fagyaszt" pont szerint
A hűtő alsó részén összegyűl a víz	A víz elvezető nyílása el van dugulva (csak a csepegtető nyílással ellátott készülékek-nél) Megnehezített levegő keringés a kamra belsejében	- tisztítsa meg az elvezető nyílást (lásd a használati útmutató – „hűtő leolvasztása” fejezetet) - helyezze úgy el az élelmiszer termékeket és a tárolódobozokat, hogy azok ne érintkezzenek a hűtő hátsó falával
A berendezés normális munkájától eltérő hangok	A berendezés nincs kiszintezve A berendezés érintkezik a bútorral és/vagy egyéb tárgyakkal	- szintezze ki a berendezést - állítsa szabadon a berendezést úgy, hogy ne érintkezzen egyéb tárggyal

Zavarok	Lehetséges okok	Eljárás módja
	Rosszul beállított szabályozó forgatógomb	- állítsa a forgatógombot magasabb pozícióra
	A környezet hőmérséklete magasabb vagy alacsonyabb a műszaki specifikációban megadott hőmérsékletnél.	- a készüléket a műszaki specifikációban megadott hőmérsékleten történő üzemeletetésre tervezték.
	A berendezés napsütött helyen vagy hóforrás közelében áll	- változtassa meg a berendezés helyét a használati útmutatónak megfelelően
	Nagy mennyiségű meleg termékkel egyszerre történő feltöltés	- várjon 72 órát a termékek lehűlésére (megfagyására) és a kamra belsejében várt hőmérséklet elérésére
	Megneheztített levegő áramlás a berendezés belsejében	- helyezze az élelmiszert termékeket és a tárolódobozokat úgy, hogy ne érintkezzenek a hűtő hátsó falával
A berendezés túl gyengén hűt és/vagy fagyaszt	Megneheztített levegő áramlás a berendezés hátulján	- tolja el a berendezést a faltól legalább 30 mm-re
	Túl nagy mennyiségű dér gyűlt össze a fagyasztó elemeken	- olvassza fel a fagyasztótér elemeken
	A hűtő/fagyasztó ajtaját túl gyakran nyitja ki és/vagy túl sokáig van nyitva	- csökkentse az ajtónyitás gyakoriságát és/vagy rövidítse le az időt, ameddig nyitva van az ajtó
	Az ajtók nem záródnak pontosan	- a termékeket és a tárolódobozokat úgy helyezze el, hogy azok ne akadályozzák az ajtó bezárását
	A kompresszor ritkán kapcsol be	- ellenőrizze, hogy a környezet hőmérséklete nem alacsonyabb-e mint a klimatikus osztálybeli besorolása
	Rosszul behelyezett ajtó tömítés	- nyomja meg a tömítést

A hűtőkészülékek működése közben különféle hangok hallhatóak, melyek nem befolyásolják negatívan a hűtőkészülék működését.

Azok a hangok, melyeket könnyen el lehet hárítani:

- zaj, mely akkor keletkezik, amikor a hűtőszekrény nem áll vízszintesen – szabályozzuk a hűtő beállítását az elülső, csavarható lábak segítségével. Esetleg a hátsó kerekek alá rakjunk puha anyagot, főleg akkor, amikor a padló csempezett.
- Amikor a hűtő súrolja a szomszéd bútort – toljuk arrébb a hűtőt.
- A fiókok illetve szekrények nyikorgása – vegyük ki és ismét helyezzük a helyére a fiókot illetve szekrényt.
- Az egymáshoz ütődő üvegek zaja – toljuk el egymástól az üvegeket.

Azokat a jellegzetes hangokat, melyek a készülék üzemeltetése közben keletkeznek, a termosztát, a kompresszor (bekapcsolás), a hűtőrendszer (a hőmérsékletkülönbség okozta anyag méretváltozása és a hűtőközeg áramlása) működése okozza.

Cher Client

À partir d'aujourd'hui les tâches quotidiennes deviennent encore plus faciles. Cet appareil **Amica** combine une facilité d'utilisation exceptionnelle à une efficacité parfaite. Après la lecture du mode d'emploi, l'utilisation de l'appareil ne vous posera aucun problème.

La sécurité et la fonctionnalité de l'équipement sorti d'usine ont été soigneusement vérifiées sur les postes de contrôle avant son emballage.

Prière de lire attentivement le mode d'emploi avant la mise en fonctionnement de l'appareil. Respecter ses indications vous protégera contre toute utilisation incorrecte. Garder le mode d'emploi dans un endroit accessible.

Respecter les instructions de ce mode d'emploi afin d'éviter des accidents.

Respectueusement

Amica

CONSIGNES DE SECURITÉ D'UTILISATION

- L'appareil n'est destiné qu'à un usage domestique.
- Le fabricant se réserve le droit d'apporter des modifications qui n'affectent pas le fonctionnement de l'appareil.
- Certaines notes de ce mode d'emploi sont les mêmes pour différents types de produits réfrigérants (réfrigérateurs, réfrigérateurs-congérateurs et congérateurs)
- Le fabricant n'assume aucune responsabilité pour des dommages causés par une utilisation non conforme aux instructions.
- Veuillez garder cette notice dans le but de s'en servir en avenir soit de la transmettre à un éventuel utilisateur future.
- Veillez à ce que les enfants sans surveillance n'utilisent pas l'appareil. Ne les laissez pas jouer avec l'appareil. Il est interdit qu'ils s'assoient sur les éléments sortants ainsi qu'ils se penchent sur la porte.
- Le frigo congélateur fonctionne convenablement à la température ambiante qui est indiquée dans le tableau des spécifications techniques. Evitez de placer l'appareil dans une cave, un vestibule ou dans un chalet sans chauffage en automne et en hiver.
- Pendant le placement, le déplacement, le soulèvement ne saisissez pas les poignées des portes, ne tirez pas par le réfrigérant à l'arrière du réfrigérateur ainsi que ne touchez pas le groupe compresseur.
- Pendant le transport, le déplacement et le placement, le réfrigérateur/congélateur ne doit pas être basculé de plus de 40° de la ligne verticale. Si pourtant une telle situation arrive, laissez l'appareil min. 2 heures après son placement sans le brancher (fig. 2).
- Avant chaque entretien courant débranchez l'appareil. Ne tirez pas par le cordon d'alimentation mais débranchez-le en saisissant la fiche de la prise.

- Les bruits comme des craquements ou des éclatements sont causés par des élargissements et des rétrécissements des pièces résultant des changements de température
- Pour des raisons de sécurité, il ne faut pas dépanner l'appareil de ses propres moyens. Les réparations faites par des personnes non qualifiées dans ce domaine peuvent constituer un danger à la sécurité de l'utilisateur de l'appareil.
- Au cas d'une panne du circuit frigorifique, aérez la pièce où se trouve l'appareil pendant quelques minutes (la pièce doit être au moins de 4m³ pour le produit du méthylpropane m/R600).
- Il ne faut pas congeler à nouveau les produits une fois décongelés même partiellement.
- Il ne faut pas stocker des boissons en bouteilles et en cannes et surtout des boissons pétillantes dans le compartiment congélateur. Les cannes et les bouteilles risquent d'éclater.
- Éviter le contact des produits sortis directement du congélateur (ex. les glaçons, les glaçons, etc.) avec la bouche. Leur température basse peut causer des gelures graves.
- Faites attention à ne pas détériorer le circuit frigorifique, par ex. par le piquage de canaux du produit frigorifique dans l'évaporateur, la rupture des tuyaux. Le fluide frigorigène jaillissant est inflammable. Au cas du contact du produit avec les yeux, rincez les avec de l'eau propre et immédiatement contactez le médecin.
- Il convient aussi d'éliminer ou de rendre impossible l'usage de la serrure de l'appareil usé afin que les enfants ne puissent pas s'enfermer dans la vieille installation.
- L'appareil est conçu pour stocker la nourriture, ne pas l'utiliser à d'autres fins.
- L'appareil doit être complètement débranché de l'alimentation (en retirant la prise d'alimentation) pour effectuer des tâches telles que le nettoyage, l'entretien ou le changement de son emplacement.

- Cet appareil peut être utilisé par des enfants âgés de 8 ans ou plus, par des personnes avec des capacités motrices, sensorielles ou mentales réduites et par des personnes dénuées d'expérience ou de connaissance de l'équipement uniquement si elles se trouvent sous surveillance et qu'elles aient été instruites auparavant au sujet de l'exploitation de l'appareil de façon sûre et qu'elles connaissent les dangers liés à l'exploitation de l'appareil. Les enfants ne devraient pas jouer avec l'appareil. Le nettoyage et la maintenance de l'appareil ne devraient pas être effectués par des enfants à moins qu'ils n'aient fini leurs 8 ans et ne soient surveillés par une personne appropriée.
- Afin d'obtenir plus d'espace dans le congélateur, retirez les tiroirs et placez vos produits directement sur les étagères. Cela n'a aucun effet sur les paramètres thermiques et mécaniques de l'appareil. Le volume utile du congélateur a été calculé sans les tiroirs
- Les coins cuisines réservés au personnel des magasins, bureaux et autres environnements professionnels
- Les fermes et l'utilisation par les clients des hôtels, motels et autres environnements à caractère résidentiel
- Les environnements du type chambres d'hôtes
- La restauration et autres applications similaires y compris la vente au détail
- Si le câble d'alimentation est endommagé, il doit être remplacé par le fabricant, son service après-vente ou des personnes de qualification similaire afin d'éviter un danger.
- MISE EN GARDE : Maintenir dégagées les ouvertures de ventilation dans l'enceinte de l'appareil ou dans la structure d'encastrement.
- MISE EN GARDE : Ne pas utiliser de dispositifs mécaniques ou autres moyens pour accélérer le processus de dégivrage autres que ceux recommandés par le fabricant. MISE EN GARDE : Ne pas endommager le circuit de réfrigération.
- MISE EN GARDE: Ne pas utiliser d'appareils électriques à l'intérieur du compartiment de stockage des denrées, à moins qu'ils ne soient du type re-

commandé par le fabricant.

- Ne pas stocker dans cet appareil des substances explosives telles que des aérosols contenant des gaz propulseurs inflammables.
- En ce qui concerne les informations pour l'installation, la manipulation, l'entretien et la mise au rebut de l'appareil, référez-vous aux paragraphes ci-après de la notice. **AVERTISSEMENT** : Lors du positionnement de l'appareil, s'assurer que le cordon d'alimentation n'est pas coincé ni endommagé.
- **AVERTISSEMENT** : Ne pas placer de socles mobiles de prises multiples ni de blocs d'alimentation portables à l'arrière de l'appareil.
- Cet appareil peut être utilisé par des enfants âgés d'au moins 8 ans et par des personnes ayant des capacités physiques, sensorielles ou mentales réduites ou dénuées d'expérience ou de connaissance, s'ils (si elles) sont correctement surveillé(e)s ou si des instructions relatives à l'utilisation de l'appareil en toute sécurité leur ont été données et si les risques encourus ont été appréhendés.
- Les enfants ne doivent pas jouer avec l'appareil.
- Le nettoyage et l'entretien par l'utilisateur ne doivent pas être effectués par des enfants sans surveillance.



Danger; risque d'incendie/
matières inflammables

Danger ; risque d'incendie/matières inflammables.

- Les enfants âgés de 3 à 8 ans sont autorisés à charger et décharger les appareils de réfrigération.

Pour éviter la contamination des aliments, il y a lieu de respecter les instructions suivantes :

- Des ouvertures de la porte de manière prolongée sont susceptibles d'entraîner une augmentation significative de température des compartiments de l'appareil.

- Nettoyer régulièrement les surfaces susceptibles d'être contact avec les aliments et les systèmes d'évacuation accessibles.
- Nettoyer les récipients d'eau s'ils n'ont pas été utilisés pendant 48 h; bien rincer le système de distribution raccordé à un réseau de distribution d'eau si de l'eau n'a pas été prélevée pendant 5 jours.
- Entreposer la viande et le poisson crus dans les bacs du réfrigérateur qui conviennent, de telle sorte que ces denrées ne soient pas en contact avec d'autres aliments ou qu'elles ne s'égouttent pas sur les autres aliments.
- Les compartiments «deux étoiles» pour denrées congelées conviennent pour stocker des aliments précongelés, stocker ou fabriquer de la crème glacée et des cubes de glace.
- Les compartiments «une, deux et trois étoiles» ne conviennent pas pour la congélation des denrées alimentaires fraîches.
- Si l'appareil de réfrigération demeure vide de manière prolongée, le mettre hors tension, en effectuer le dégivrage, le nettoyer, le sécher, et laisser la porte ouverte pour prévenir le développement de moisissures à l'intérieur de l'appareil.

	Types de compartiments	Température de conservation cible [°C]	Aliments adaptés
1	Réfrigérateur	+2≤+8	Œufs, aliments cuits, aliments emballés, fruits et légumes, produits laitiers, pâtisseries, boissons et autres aliments qui ne sont pas destinés à la congélation.
2	Congélateur ❄️***	≤-18	Fruits de mer (poisson, crevettes, moules), produits d'eau douce et à base de viande (3 mois recommandés, plus longtemps les produits sont conservés, moins savoureux et nutritifs ils sont), adapté pour les produits frais congelés.
3	Congélateur ***	≤-18	Fruits de mer (poisson, crevettes, moules), produits d'eau douce et à base de viande (3 mois recommandés, plus longtemps les produits sont conservés, moins savoureux et nutritifs ils sont), inadapté pour les produits frais congelés.

4	Congélateur (**)	≤-12	Fruits de mer (poisson, crevettes, moules), produits d'eau douce et à base de viande (2 mois recommandés, plus longtemps les produits sont conservés, moins savoureux et nutritifs ils sont), inadapté pour les produits frais congelés.
5	Congélateur (*)	≤-6	Fruits de mer (poisson, crevettes, moules), produits d'eau douce et à base de viande (1 mois recommandé, plus longtemps les produits sont conservés, moins savoureux et nutritifs ils sont), inadapté pour les produits frais congelés.
6	Compartiment sans étoile	-6≤0	Viande de porc, de bœuf fraîche, poisson, poulet, certains aliments traités emballés, etc. (il est recommandé de consommer le même jour, le mieux dans les 3 jours au maximum). Produits traités emballés partiellement (produits qui ne sont pas adaptés à la congélation)
7	Compartiment pour denrées hautement périssables	2≤+3	Viande de porc, de bœuf fraîche/congelée, poulet, produits d'eau douce, etc. (7 jours au-dessous de 0°C, au-dessus de 0°C il est recommandé de consommer le même jour, le mieux dans les 2 jours au maximum). Fruits de mer (au-dessous de 0°C pendant 15 jours, il est déconseillé de conserver ces aliments à une température supérieure à 0°C)
8	Compartiment de stockage de denrées alimentaires fraîches	0≤+4	Viande de porc, de bœuf fraîche, poisson, poulet, aliments cuits, etc. (il est recommandé de consommer le même jour, le mieux dans les 3 jours au maximum).
9	Compartiment de stockage du vin	+5≤+20	Vin rouge, blanc, effervescent, etc.

- Attention : conserver les produits selon les recommandations pour les compartiments ou selon les températures indiquées pour les produits donnés.
- Si l'appareil de réfrigération n'est pas utilisé et reste vide pendant une longue période, l'éteindre, le décongeler, le laver, le sécher et laisser sa porte ouverte pour éviter la formation de moisissure à l'intérieur.
- Nettoyage du distributeur d'eau (pour les produits avec le distributeur d'eau) : Nettoyer le réservoir d'eau, s'il n'a pas été utilisé pendant 48 heures ; si l'eau n'a pas été déversée pendant 5 jours, rincer l'installation d'eau raccordée au réseau de distribution d'eau.

- La période minimale où les pièces de rechange indispensables à la réparation de l'appareil sont accessibles est de 7 à 10 ans, selon le type et la destination de la pièce de rechange. Cette période est conforme au règlement (UE) 2019/2019 de la Commission.
- La liste des pièces de rechange et la procédure de commande sont disponibles sur les sites web du fabricant, de l'importateur ou du représentant agréé.
- Retrouvez plus d'informations sur le produit dans la base de données européenne EPREL à l'adresse <https://eprel.ec.europa.eu>. Vous pouvez obtenir les informations en scannant le code QR de l'étiquette énergétique ou un saisissant le modèle du produit de l'étiquette énergétique dans le moteur de recherche EPREL <https://eprel.ec.europa.eu/>

INSTALLATION ET CONDITIONS DE FONCTIONNEMENT DE L'APPAREIL

Cet appareil de réfrigération n'est pas destiné à être utilisé comme un appareil intégrable

Installation avant la première mise en marche

- Déballer l'appareil, enlever les bandes adhésives protégeant les portes et l'équipement (4). Les éventuels restes du col peuvent être enlevés avec un détergent délicat.
- Garder les éléments en mousse de polystyrène. Au cas de nécessité du retransport du réfrigérateur/congélateur, emballer-le de la mousse de polystyrène et du film ainsi que protéger-le avec la bande adhésive.
- Laver l'intérieur du réfrigérateur et du congélateur ainsi que les autres éléments de l'équipement avec de l'eau tiède avec du produit lave vaisselle et ensuite essuyer et sécher.
- Placer votre réfrigérateur/congélateur à niveau et en position stable à un sol solide, dans une pièce sèche, régulièrement aérée et non ensoleillée loin des sources de chaleur comme la cuisinière, le radiateur du chauffage central, le tuyau du chauffage central, l'installation de l'eau chaude, etc.
- Le film de protection qui peut recouvrir l'appareil le doit être retiré.
- Placer l'appareil à niveau en visant 2 pieds réglables à l'avant (fig. 3)
- Afin d'assurer une ouverture facile de la porte, la distance entre la paroi latérale de l'appareil (du côté des charnières) et la paroi de la pièce est illustrée sur la figure 5.*
- Assurez une ventilation convenable de la pièce ainsi que la libre circulation de l'air de tous les côtés de l'appareil (fig. 6).*

Les distances minimums des sources de chauffage

- des cuisinières électriques, à gaz et autres - 30 mm,
- des poêles à fuel ou à charbon - 300 mm,
- des fours de cuisine encastrables - 50 mm

S'il n'est pas possible de respecter les distances ci-dessus mentionnées, utilisez une plaque d'isolation.

Attention:

- La paroi arrière du réfrigérateur et surtout le réfrigérant et les autres éléments du circuit frigorifique ne peuvent pas rester en contact avec les autres éléments qui peuvent causer des endommagements et surtout (avec le tuyau du chauffage central et la tube d'amenée d'eau).
- Il est interdit de manipuler d'une façon quelconque des pièces d'agrégat. Prenez les mesures de ne pas endommager la tube capillaire visible dans la cavité pour le compresseur. Cette tube ne peut pas être fléchi, redressée ni enroulée.
- L'endommagement de la tube capillaire par l'utilisateur le prive du droit de garantie (fig. 8).
- Pour certains modèles au choix, la poignée non fixée doit être récupérée à l'intérieur de l'armoire, puis vissée sur la porte avec son propre tournevis.

Raccordement au réseau électrique

- Avant le branchement, il est recommandé de régler la molette du thermostat sur la position „OFF” ou toute autre position provoquant la déconnexion de l'appareil de l'alimentation électrique (voir la page avec description des commandes),
- L'appareil doit être branché au réseau du courant alternatif 220-240V, 50Hz au moyen d'une prise murale correctement installée, mise à la terre et protégée par un coupe-circuit de 10 A.
- La mise à la terre de l'appareil est recommandée par la loi. Le fabricant renonce à une responsabilité quelconque à titre des endommagements éventuels qui peuvent subir les personnes ou les objets suite à ne pas remplir cette obligation imposée par cette règle.
- Il ne faut pas utiliser de raccords adaptatifs, de prises multiples (répartiteurs), de rallonges deux fils. S'il y a la nécessité d'utiliser un rallonge, il est permis d'utiliser qu'un rallonge avec un rouleau de sécurité, à prise unique ayant une attestation de sécurité VDE/GS.
- Au cas d'utilisation d'un rallonge (avec le rouleau de sécurité, ayant le signe de sécurité), sa prise doit être placée à une distance sûre des éviers et ne peut pas être exposée à être submerger de l'eau ainsi que des autres égouts.
- AVERTISSEMENT: Ne pas placer de socles mobiles de prises multiples ni de blocs d'alimentation portables à l'arrière de l'appareil
- AVERTISSEMENT: Lors du positionnement de l'appareil, s'assurer que le cordon d'alimentation n'est pas coincé ni endommagé.
- Les données se trouve sur la plaque signalétique placée en bas de la paroi à l'intérieur du compartiment réfrigérateur**.

Mise hors circuit

Il faut assurer la possibilité de débrancher l'appareil par le retrait de la fiche ou par l'éteint de l'interrupteur bipolaires (fig. 9)

Classe climatique

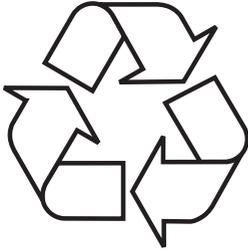
L'information sur la classe climatique de l'appareil se trouve sur la plaque signalétique. Il indique la température ambiante (c'est-à-dire de la pièce dans laquelle il fonctionne) du fonctionnement optimal (correct) de l'appareil.

Classe climatique		Température ambiante admissible
SN	tempérée élargie	l'appareil réfrigérant est destiné à une utilisation à une plage de températures comprise entre 10 °C et 32 °C
N	tempérée	l'appareil réfrigérant est destiné à une utilisation à une plage de températures comprise entre 16 °C et 32 °C
ST	subtropicale	l'appareil réfrigérant est destiné à une utilisation à une plage de températures comprise entre 16 °C et 38 °C
T	tropicale	l'appareil réfrigérant est destiné à une utilisation à une plage de températures comprise entre 16 °C et 43 °C

* Ne concerne pas les appareils encastrables

** Existe selon le modèle

DÉBALLAGE



Pour son transport, l'appareil a été emballé afin de le protéger contre les endommagements. Après déballage de l'appareil, prière d'éliminer les éléments de l'emballage d'une façon non nuisible à l'environnement. Tous les matériaux utilisés pour l'emballage sont

inoffensifs pour l'environnement et recyclables à 100% (ils sont marqués par un symbole approprié) Attention! Lors du déballage, garder les matériaux d'emballage (petits sacs polyéthylène, morceaux de polystyrène, etc.) hors de portée des enfants.

ÉLIMINATION DES APPAREILS USAGÉS



Cet appareil est marqué par le symbole du conteneur à déchets, rayé, conformément à la Directive Européenne 2012/19/CE. Ce symbole signale que le produit, après sa période d'utilisation, ne pourra pas être éliminé avec d'autres déchets ménagers. L'utilisateur est obligé de le rendre à un point

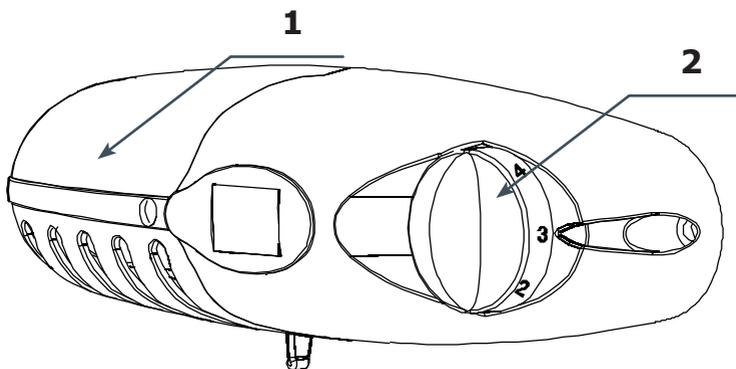
de collecte des appareils électriques et électroniques usagés. De tels points de collecte sont mis en place par les communes, certains magasins et entreprises de ramassage des déchets.

Respecter les règles d'élimination des appareils électriques et électroniques permet d'éviter des conséquences nuisibles à la santé humaine et à l'environnement naturel, à cause de la possibilité de présence de constituants dangereux ou de transformations inappropriées à ce type d'appareil.

COMMANDE

Commande de l'appareil

Le panneau de commande est présenté sur le dessin 10, pour rappel, il est présenté également ci-dessous :



1 - Éclairage
2 - Thermostat

Réglage de la température à l'intérieur de l'appareil

En tournant le sélecteur, vous changez la température dans l'appareil :

Position OFF/0 Appareil éteint

Position 1 La température la moins froide est réglée dans l'appareil (la chaleur est plus grande à l'intérieur)

Positions 2-6 Une température moyenne est réglée dans l'appareil

Position 7 La température la plus froide est réglée dans l'appareil (il fait plus froid à l'intérieur)

Attention :

- Le sélecteur du thermostat peut avoir une graduation différente que celle présentée dans cette description. Le principe de fonctionnement général est expliqué ci-dessus.
- Si le sélecteur de votre appareil ne possède pas la position « OFF » ou « 0 », l'appareil peut être complètement éteint en le débranchant par le câble d'alimentation. Avant de le débrancher, régler la plus petite valeur sur le thermostat.

Informations supplémentaires sur la température

- La température à l'intérieur de l'appareil dépend de différents facteurs . Le réglage dépend entre autres de la température ambiante, du niveau d'ensoleillement, de la fréquence d'ouverture de la porte de l'appareil, de la quantité d'aliments. Le réglage sur la valeur moyenne est dans la plupart des cas le plus optimal.
- Après la mise en fonctionnement de l'appareil, une attente est nécessaire avant le stockage de denrées (min. 4 h)
- Toute élévation de la température ambiante est détectée par une sonde externe qui déclenche la mise en route du compresseur pendant un laps de temps supérieur à la phase d'inertie thermique, ce qui permet de maintenir l'intérieur de l'armoire à la température voulue. De ce fait, le réglage manuel de la température en fonction des saisons est inutile.
- Des légers changements de température interne de l'appareil peuvent survenir par exemple après le stockage de grandes quantités de produits frais, voire l'ouverture de la porte pendant un certain temps. Ce phénomène qui n'a rien d'anormal, n'a aucune incidence sur les produits alimentaires, l'armoire une fois fermée retrouvant rapidement sa température de consigne.

ÉCLAIRAGE

Ce chapitre concerne les appareils qui possèdent des sources lumineuses à incandescence et les appareils avec éclairage LED (ampoules avec culot E14).

Remplacement de l'éclairage

- Régler le sélecteur sur la position « OFF » et retirer ensuite, la fiche de la prise d'alimentation.
- Démonter le cache de l'ampoule et le retirer (Des. 18).
- Remplacer l'ampoule par une autre qui possèdent les mêmes caractéristiques que celle installée en usine (220-240V, vis E14, dimensions maximales de l'ampoule: diamètre - 26 mm, longueur 55 mm).
- Remettre le cache de l'ampoule.
- Ne faut pas utiliser d'ampoules d'une puissance inférieure ou supérieure, utiliser uniquement des ampoules avec les caractéristiques indiquées ci-dessus.

Attention :

- L'éclairage utilisé ne peut pas être utilisé pour l'éclairage des pièces d'habitation.
- Si le dessin désigné par le numéro 18 n'est pas présent dans ce mode d'emploi, l'éclairage peut être changé uniquement par un technicien du service habilité.

UTILISATION ET FONCTIONS

Conservation des denrées dans le réfrigérateur

- Mettez les produits sur des assiettes, dans des récipients ou emballés dans un film alimentaire. Disposez uniformément sur la surface des clayettes.
- Il convient d'attirer attention sur le fait que les produits alimentaires ne doivent pas entrer en contact avec la paroi arrière. Cela peut causer du givre ou de l'humidité sur les produits.
- Ne mettez pas au réfrigérateur des récipients d'aliments encore chaud.
- Les produits prenant rapidement des odeurs étrangères comme le beurre, le lait, le fromage blanc ainsi que ceux qui ont une odeur intensive comme par ex. les poissons, la charcuterie, les fromages doivent être mis au réfrigérateur emballés dans un film ou dans des récipients hermétiquement fermés.
- Le stockage des légumes contenant une grande quantité d'eau peut causer le dépôt de buée au-dessus des bacs à légumes; cela ne dérange pas le fonctionnement régulier du réfrigérateur.
- Avant l'introduction des légumes dans le réfrigérateur, il convient de bien les sécher.
- Un niveau d'humidité trop élevé diminue le temps de conservation des légumes surtout des légumes feuilles.
- Il convient de conserver les légumes non lavés. Le lavage enlève une protection naturelle c'est pourquoi il est préférable de laver des légumes tout juste avant la consommation.
- Il est permis de ranger les produits dans les paniers (tiroirs) 1, 2,3* (voir fig. 11a / 11b).**

1. Les produits emballés
2. Plateau de l'évaporateur / tablette
3. Limite naturelle de chargement
4. ✖***

- Il est possible de poser des produits sur les grilles de l'évaporateur du congélateur.*
- Il est possible de retirer les produits sur l'étagère de 20-30 mm de la limite naturelle de chargement.**
- Il est possible de retirer le panier inférieur pour augmenter la surface de chargement et poser les produits au fond de la chambre jusqu'à la hauteur maximale.*

Congélation des produits**

- Il est permis de congeler pratiquement tous les produits alimentaires à l'exception des légumes consommés crus comme par ex. la salade verte.
- Pour une meilleure congélation, il est recommandé d'utiliser des produits extra frais et de les congeler en petite portion.
- Il convient d'emballer les produits dans des matériaux sans odeur, résistants à la pénétration de l'air et d'humidité ainsi qu'insensibles aux matières grasses. Les emballages les plus appropriés sont: les sachets, les feuilles du film en polyéthylène, du film aluminium.
- L'emballage doit être hermétique et bien adhérent aux produits congelés. Les emballages en verre sont déconseillés.
- Les produits alimentaires frais (à température ambiante), mis dans le but d'être congelés ne doivent pas rester en contact avec les produits déjà congelés auparavant.

- Il est déconseillé de mettre dans le congélateur, en une fois par 24 heures, plus de nourriture fraîche que mentionné dans le tableau de spécification technique de l'appareil.
- Afin de garder une bonne qualité des produits congelés, il est conseillé de regrouper les produits congelés dans la partie centrale du congélateur de telle façon qu'ils ne restent pas en contact avec des produits encore non congelés.
- Nous conseillons de déplacer les portions congelées vers un côté du compartiment congélateur et mettre les portions fraîches à congeler du côté opposé en les poussant au maximum vers la paroi arrière latérale.
- Pour congeler les produits, utiliser un congélateur marqué ***.
- Il faut se rappeler que la température du compartiment réfrigérateur est influencée entre autres par: la température ambiante, le niveau de chargement des denrées, la fréquence d'ouverture de la porte, le niveau de givrage, la mise au point de thermostat.
- Si une difficulté d'ouvrir la porte du compartiment réfrigérateur se présente tout juste après sa fermeture, nous vous conseillons d'attendre 1 à 2 minutes jusqu'à ce que la dépression qui s'y est formée soit compensée.

Le temps de conservation des produits congelés dépend de leur qualité à l'état frais avant congélation ainsi que de la température de conservation. En conservant la température inférieure ou égale à -18°C les périodes de conservation suivantes sont conseillées:

Produits	Mois
Boeuf	6-8
Veau	3-6
Abats	1-2
Porc	3-6
Volaille	6-8
OEufs	3-6
Poissons	3-6
Légumes	10-12
Fruits	10-12

Le compartiment de refroidissement rapide ne sert pas à l'entreposage de nourriture surgelée. Il est possible de produire et d'entreposer uniquement des glaçons dans ce compartiment.

Attention : Si l'appareil ne possède pas de compartiment ***, ceci signifie que l'appareil réfrigérant n'est pas adapté aux besoins de congélation des produits alimentaires.

* Concerne les appareils avec une chambre de congélation dans la partie inférieure de l'équipement

** Concerne les appareils possédant une chambre de congélation ***

*** Ne concerne pas les appareils équipés en chambres de congélation marquées par le symbole ***

COMMENT EXPLOITER LE RÉFRIGÉRATEUR DE FAÇON ÉCONOMIQUE?

Conseils pratiques

- Ne pas placer le réfrigérateur ni le congélateur près des radiateurs, des fours ou risquer une influence directe des rayons du soleil.
- S'assurer que les cavités du condenseur à l'arrière ne sont pas obstruées. Les nettoyer et dépolluer une ou deux fois par an.
- Choisir une température appropriée: une température de 4°C dans le réfrigérateur ainsi que de -18°C dans le congélateur est suffisante.
- Il ne faut ouvrir la porte du réfrigérateur ou du congélateur qu'en cas de nécessité. Il est bon à savoir quelle nourriture est conservée dans le réfrigérateur ainsi que savoir précisément où elle se trouve. Il faut remettre le plus vite possible les produits non-utilisés dans le réfrigérateur ou dans le congélateur avant qu'elle ne se réchauffe.
- Nettoyez régulièrement l'intérieur du réfrigérateur à l'aide d'un tissu imbibé d'un détergent doux. Les appareils ne possédant pas de fonction de dégivrage automatique devront être régulièrement dégivrés. Ne pas permettre la formation d'une couche de givre d'une épaisseur de plus de 10 mm.
- Maintenez propre le joint autour de la porte, autrement la porte risque de ne pas se fermer complètement. Il faut toujours remplacer les joints endommagés.

Que veulent dire les étoiles?



Une température d'au moins -6°C suffit pour stocker les aliments surgelés pendant environ 2-3 jours. On rencontre le plus souvent des tiroirs ou compartiments ayant le symbole de l'étoile dans les réfrigérateurs bon marché.



On peut stocker les aliments dans une température de -12°C pendant 1 mois sans risquer qu'ils perdent leur goût. Cette température n'est pas suffisante pour congeler les aliments.



Permet de stocker des aliments déjà congelés pendant 1 an maximum; mais ne permet PAS de congeler des aliments frais.



Cet appareil convient à stocker des aliments dans une température en-dessous de -18°C et de congeler de plus grandes quantités d'aliments.

Zones de stockage dans le réfrigérateur

En raison de la circulation normale de l'air, le caisson du réfrigérateur contient différentes zones de température.

- La zone la plus froide se trouve directement au-dessus du tiroir à légumes. Il faut conserver dans cette zone des aliments délicats et facilement pourrissables, tels que:
 - Les poissons, la viande, la volaille,
 - Les charcuteries, les plats préparés,
 - Les plats ou produits cuits contenant des œufs ou de la crème,
 - De la pâte fraîche, des mélanges de gâteaux,
 - Des légumes emballés et autres aliments frais ayant une étiquette suggérant que ces aliments doivent être maintenus dans une température approximative de 4°C.
- La zone la plus chaude se trouve dans la partie haute de la porte. Utilisez ce secteur pour y conserver du beurre et du fromage.

Produits qui ne devraient pas être stockés dans le réfrigérateur

- Certains aliments ne doivent pas être conservés dans le réfrigérateur. Ce sont:
 - Les fruits et légumes sensibles aux basses températures, comme par exemple les bananes, l'avocat, la papaye, le fruit de la passion, les aubergines, les poivrons, les tomates et les concombres,
 - Les fruits qui ne sont pas encore mûrs,
 - Les pommes de terre

Attention:

Exemple de gestion des produits congelés (fig. 12)

Pour assurer la meilleure conservation des aliments pendant longtemps et éviter leur gaspillage, disposer les produits comme montré sur la Fig. 12. De plus, la figure montre la disposition des compartiments, des tiroirs et des clayettes qui permet l'utilisation la plus efficace de l'énergie par l'appareil.

La conservation des produits alimentaires dans des conditions et une température adaptées prolonge leur limite de consommation et optimise la consommation d'énergie électrique. Les plages de températures devraient être indiquées sur les emballages et les étiquettes des produits alimentaires.

DÉGIVRAGE, NETTOYAGE ET CONSERVATION

Pour le nettoyage du châssis et des pièces en plastique ne jamais utiliser de solvants ni de produits de nettoyage agressifs et abrasifs (par exemple des poudres ou des crèmes de nettoyage)! Utiliser uniquement des produits de nettoyage liquides délicats et des torchons doux. Ne pas utiliser le côté abrasive des éponges.

Dégivrage du réfrigérateur***

- Le givre qui se forme sur la paroi arrière s'élimine automatiquement. Pendant le dégivrage, les impuretés peuvent pénétrer dans l'orifice de la gouttière avec de l'eau condensée. Ce qui peut entraîner le blocage de l'orifice. Dans ce cas il convient de déboucher délicatement le trou avec une broche de poussée (fig. 13).
- L'appareil fonctionne cycliquement: réfrigère (alors que le givre s'installe sur la paroi arrière) ensuite se dégivre (les gouttes ruissellent sur la paroi arrière).
- Avant le nettoyage, il convient de déconnecter absolument l'appareil du circuit alimentation en débranchant la fiche de la prise de courant. Veillez à ce que l'eau ne s'introduise pas dans le panneau de commande ou dans le système d'éclairage.
- N'utilisez pas pour le dégivrage de substances en aérosol. Elles peuvent causer la formation de mélanges explosifs, contenir des dissolvants pouvant endommager les parties en plastique de l'appareil jusqu'à même être dangereux pour la santé.
- Il convient de veiller à ce que l'eau utilisée pour le nettoyage ne s'introduise pas dans le récipient d'évaporation par l'orifice d'évacuation.
- En dehors des joints sur la porte, il convient de nettoyer l'appareil entier avec les détergents délicats. Lavez les joints sur la porte à l'eau tiède et essuyez à sec.
- Il convient de nettoyer convenablement tous les équipements internes (bacs à légumes, balconnets, clayettes en verre etc.).

Dégivrage du congélateur**

- Il est conseillé de dégivrer le compartiment congélateur en même temps que le nettoyage de l'appareil.
- Une forte accumulation de la couche de glace sur les surfaces de congélation diminue le rendement de l'appareil ce qui entraîne une augmentation de consommation de l'énergie électrique.
- Il est conseillé de dégivrer l'appareil au moins une ou deux fois par an. En cas d'une importante accumulation de glace, le dégivrage doit être effectué plus souvent.
- Si à l'intérieur de l'appareil se trouvent des aliments, il convient de positionner le sélecteur rotatif sur la position maximale à peu près 4 heures avant la décongélation. Ceci garantit la possibilité de conservation des produits alimentaires à la température ambiante pendant une durée plus longue.
- Après avoir sorti les aliments du congélateur il convient de les mettre dans un sac isotherme, une glacière ou bien en les enveloppant de plusieurs couches de papier journal et ensuite les conserver dans un endroit frais.
- Le dégivrage du congélateur doit être réalisé le plus vite possible. Une conservation de longue durée des produits dans la température ambiante raccourci le délai de consommation.

Mode opératoire pour le dégivrage du coffre du congélateur: **

- Éteindre l'appareil à l'aide du panneau de commande, puis retirer la fiche de la prise.
- Ouvrir la porte, puis extraire les denrées.
- En fonction du modèle, retirer le canal de drainage qui se trouve dans la partie inférieure de la chambre du congélateur et placer un récipient.
- Laisser la porte ouverte, cela accélérera le processus de décongélation. En plus, il est possible de mettre un récipient avec de l'eau chaude (mais pas bouillante) dans la chambre du congélateur
- Laver l'intérieur du coffre puis laisser sécher.
- Remettre l'appareil en marche en respectant la procédure précisée dans les instructions.

Dégivrage automatique du réfrigérateur****

Le compartiment réfrigérateur est équipé de la fonction de dégivrage automatique. Cependant du givre peut se créer sur la paroi arrière du compartiment réfrigérateur. Ceci se passe habituellement lorsque une grande quantité de produits alimentaires frais est conservée dans le compartiment réfrigérateur.

Dégivrage automatique du congélateur****

Le compartiment congélateur est équipé de la fonction de dégivrage automatique (no-frost). Les denrées alimentaires sont congelées par un système de réfrigération par circulation d'air et l'humidité du compartiment congélateur évacuée à l'extérieur. En conséquence dans le congélateur ne se forme pas un superflu de dépôt de givre et les produits ne se collent pas entre eux.

Lavage à main du compartiment réfrigérateur et congélateur****

Il est recommandé de laver au moins une fois par an le compartiment réfrigérateur et congélateur. Cette opération empêche la formation des bactéries et des odeurs désagréables. Il convient de mettre hors circuit l'appareil entier par la touche (1), sortir des compartiments les produits et laver à l'eau tiède et au détergent délicat. Essuyer les compartiments avec un chiffon.

Enlèvement et mise en place des clayettes *****

Sortir les clayettes et ensuite faire glisser jusqu'à ce que le verrou de sûreté des clayettes se trouve dans la glissière voulue (fig. 15).

Enlèvement et mise en place du balconnet *****

Soulever le balconnet, sortir et remettre en place à partir du haut à la position désirée (fig. 16).

Dans aucun cas il n'est pas permis de placer à l'intérieur du congélateur un accumulateur électrique de chaleur, de soufflage, ni un sèche-cheveux.

** Concerne les appareils possédant une chambre de congélation ❄️***

*** Ne concerne pas les appareils avec un Système sans Givre
Concerne les appareils possédant une chambre de congélation.

**** Ne concerne pas les appareils avec un Système sans Givre

**** Concerne les appareils équipés en Système sans Givre

**** Ne concerne pas les congélateurs

LOCALISATION DES PANNES

Anomalie	Cause	Dépannage
L'appareil ne fonctionne pas	La coupure dans le circuit de l'installation électrique	- vérifiez si la fiche a été branchée correctement dans la prise du réseau d'alimentation - vérifiez si le câble d'alimentation de l'appareil n'est pas endommagé - vérifiez si en branchant un autre appareil par ex. une lampe de nuit la tension de prise de courant existe - vérifiez si l'appareil est mis en circuit par l'intermédiaire du thermostat en position supérieure à 0 / OFF
L'éclairage interne du compartiment ne fonctionne pas	La lampe est desserrée dans la douille ou grillée (dans les appareils avec éclairage par lampe incandescente)	- vérifier le point précédent „L'appareil ne fonctionne pas” - resserrer l'ampoule dans la douille, ou alors changer d'ampoule si elle est grillée (dans les appareils avec éclairage par lampe incandescente).
Le fonctionnement continu de l'appareil	Un mauvais placement du sélecteur rotatif Autres causes comme au point „L'appareil réfrigère et/ou congèle très faiblement”	- déplacez le sélecteur rotatif dans position plus basse - Vérifiez suivant le point „L'appareil réfrigère et/ou congèle très faiblement”
De l'eau s'accumule sur la partie inférieure du réfrigérateur	Le canal de dérivation de l'eau est obstrué La circulation d'air rendu plus difficile à l'intérieur du compartiment	- nettoyez l'orifice bouché (voir la notice d'utilisation chap. - „Dégivrage du réfrigérateur”) - rangez les produits alimentaires et les récipients d'une telle façon qu'ils ne touchent pas la paroi arrière du réfrigérateur
Les bruits anormaux de l'appareil	Manque de mise à niveau de l'appareil L'appareil reste en contact avec les meubles et/ou avec d'autres objets	- mettez l'appareil à niveau - positionnez l'appareil librement d'une telle façon qu'il ne touche pas d'autres objets

Anomalie	Cause	Dépannage
L'appareil réfrigère et/ou congèle très faiblement	Un mauvais placement du sélecteur rotatif	- déplacez le sélecteur rotatif à la position supérieure
	Température ambiante est supérieure ou inférieure à celle indiquée dans les spécifications techniques de l'appareil.	L'équipement électroménager est conçu pour fonctionner à une température donnée, cette température étant précisée dans les spécifications techniques de l'appareil.
	L'appareil se trouve dans un endroit ensoleillé ou à proximité d'une source de chaleur	- changez l'emplacement de l'appareil suivant le notice d'utilisation
	Le chargement de grande quantité de produits chauds au même moment	- attendez jusqu'à 72 heures de réfrigération (congélation) des produits jusqu'à l'atteinte de la température exigée à l'intérieur du compartiment
	La circulation d'air rendu plus difficile à l'intérieur du compartiment	- rangez les produits alimentaires et les récipients d'une telle façon qu'ils ne touchent pas la paroi arrière du réfrigérateur
	La circulation d'air rendu plus difficile à l'arrière de l'appareil	- éloignez l'appareil du mur à une distance de 30 mm minimum
	Le dépôt excessif de givre sur les éléments de congélation	- décongelez le compartiment congélateur
	La porte du réfrigérateur/du congélateur l'utilisation ouverte trop fréquemment ou trop longtemps	- diminuez la fréquence d'ouverture de la porte et/ou raccourcissez le temps d'ouverture de la porte
	La porte ne se ferme pas complètement	- placez les produits et les récipients d'une telle façon qu'ils ne rendent pas difficile la fermeture de la porte
	Le compresseur s'enclenche rarement	- vérifiez si la température ambiante ne se situe pas sous la limite inférieure de la classe climatique de l'appareil.
Un mauvais placement du joint d'étanchéité de la porte	- enfoncez le joint	

Durant l'utilisation normale du réfrigérateur peuvent apparaître différentes sortes de sons qui n'ont pas d'influence sur l'amélioration du travail du réfrigérateur.

Les sons qu'il est facile à éliminer :

- le bruit quand le réfrigérateur n'est pas posé verticalement – régler la position à l'aide de pieds à vis éventuellement mettre sous le rouleau derrière
- frottement contre d'autres meubles – déplacer le réfrigérateur.
- grésillement des tiroirs ou des étagères – enlever et remettre sur place le tiroir ou les étagères.
- bruits provenant des bouteilles qui se touchent – éloigner les bouteilles.

Les sons qui peuvent être entendus lors d'une utilisation normale résultent du travail du thermostat, du compresseur (mise en marche), du système de refroidissement (rétrécissement et élargissement du matériau sous l'influence des différences de températures et de la circulation du facteur refroidissant).

GARANTIE, SERVICE APRÈS-VENTE

GARANTIE

ARTICLE 1 - INSTALLATION - MISE EN SERVICE DE L'APPAREIL

Sauf dispositions contraires entre le vendeur et l'acheteur, ce dernier conserve à sa charge l'installation et la mise en service de l'appareil. Seul un professionnel qualifié est habilité à effectuer l'installation, les branchements et raccordements, conformément aux règles de l'art, en respectant les règlements en vigueur et les recommandations du fabricant, notamment celles contenues dans les notices d'emploi et d'entretien. L'acheteur qui préfère mettre lui-même l'appareil en service le fait sous sa propre responsabilité. En cas de défaut apparent ou d'absence de notice d'emploi et d'entretien, l'acheteur doit les faire constater par écrit par le vendeur ou le livreur lors de l'enlèvement de la livraison ou la mise en service.

ARTICLE 2 - GARANTIE CONTRACTUELLE

Référence de l'appareil	Indiquée sur la facture.
Durée	Indiquée sur le contrat de garantie
Point de départ	Date de vente ou de livraison.

La garantie contractuelle est ci-après définie

ARTICLE 3 - CONDITIONS DE LA GARANTIE CONTRACTUELLE ET DES PRESTATIONS PAYANTES

La garantie ne s'applique qu'aux réparations effectuées par un dépanneur agissant sur l'ordre exprès de SIDEPAR.

A. DEFAUTS COUVERTS: sont seuls couverts les défauts et leurs conséquences, ayant pour origine un phénomène électrique, électromécanique, électronique ou mécanique relatif à l'appareil.

B. TERRITORIALITE: le présent contrat s'applique exclusivement aux appareils vendus et installés en France Métropolitaine, dans la Principauté de Monaco et la Corse

C. CESSION DE LA GARANTIE: la garantie est liée à l'appareil, elle est acquise automatiquement à un nouvel utilisateur pour la durée restant à couvrir en cas de cession, décès, don ...

D. DEFAUTS EXCLUS: la présente garantie ne couvre pas :

- le remplacement des pièces d'usure (tels que, ampoules d'éclairage, filtres de hottes, courroies, fusibles, joints de porte ...),
- le remplacement des pièces en verre, plastique, caoutchouc...
- les pannes afférentes aux accessoires (tels que tuyaux de vidange, d'alimentation, câbles d'alimentation, ...),
- les pannes provenant des pièces non conformes à celles préconisées par SIDEPAR,
- les interventions non justifiées (appareil fonctionnel).

Sont également exclus de la présente garantie, les défauts et leurs conséquences dus:

- à l'intervention d'un dépanneur n'agissant pas sur l'ordre exprès de SIDEPAR,
- au non-respect des instructions Indiquées dans les notices d'utilisation et d'entretien du constructeur, à toute erreur de manipulation ainsi qu'au manque d'entretien de l'appareil,
- à une utilisation non conforme à l'usage pour lequel l'appareil est destiné, et notamment une utilisation à des fins professionnelles, ou collectives,
- à toute cause d'origine extérieure.

Les frais de déplacement, de main d'œuvre et de transport de l'appareil relatifs à un défaut non couvert par la présente garantie sont à la charge de l'acheteur.

LA GARANTIE CONTRACTUELLE N'EXCLUT EN RIEN LE BENEFICE DE LA GARANTIE LEGALE DE CONFORMITE

ARTICLE 4 - LITIGES EVENTUELS

En cas de difficultés dans l'application du présent contrat, l'acheteur a la possibilité, avant toute action en justice, de rechercher une solution amiable, notamment avec l'aide d'une association de consommateurs ou d'une organisation professionnelle de la branche, ou de tout autre conseil de son choix.

Il est rappelé que la recherche de solution amiable n'interrompt pas la durée de la garantie contractuelle.

Il est rappelé qu'en règle générale et sous réserve de l'appréciation des tribunaux, le respect des dispositions de la garantie contractuelle suppose :

- que l'acheteur honore ses engagements financiers envers le vendeur,
- que l'acheteur utilise l'appareil de façon correcte,
- qu'aucun tiers non agréé ou non mandaté par SIDEPAR n'intervienne pour une réparation sur l'appareil (sauf cas de force majeure et avec l'autorisation de SIDEPAR).

**SERVICE CONSEIL CONSOMMATEUR
SERVICE APRÈS-VENTE AMICA
Téléphone : 01.56.48.06.31**

Déclaration du fabricant

Par la présente le fabricant déclare que le produit est conforme à toutes les principales dispositions exigées par les directives de la communauté Européenne:

- directive Basse Tension 2014/35/CE
- directive Compatibilité électromagnétique 2014/30/CE
- directive 2009/125/CE
- directive RoHS 2011/65/CE

et c'est le pourquoi le produit est désigné par le symbol **CE** ainsi qu'une déclaration de la conformité accessible aux organes chargés de la surveillance du marché a été délivrée.

Beste klant

Vanaf vandaag zijn de dagelijkse klusjes eenvoudiger dan ooit tevoren. Het apparaat **Amica** is een combinatie van uitzonderlijk bedieningsgemak en perfecte effectiviteit. Na het lezen van de gebruiksaanwijzing kent de bediening voor u geen geheimen meer.

Ieder apparaat dat de fabriek verlaat is vóór het inpakken op controleplekken grondig gecontroleerd op veiligheid en functionaliteit.

Wij vragen u deze gebruiksaanwijzing zorgvuldig door te lezen voordat u het apparaat inschakelt. Naleving van de aanwijzingen die erin zijn opgenomen beschermt u tegen onjuist gebruik. Bewaar de gebruiksaanwijzing en zorg dat u hem altijd binnen handbereik heeft.

Volg de gebruiksaanwijzing nauwkeurig op om ongevallen te voorkomen.

Hoogachtend

Amica

AANWIJZINGEN BETREFFENDE VEILIGHEID VAN GEBRUIK

- Het apparaat is uitsluitend bestemd voor huishoudelijk gebruik.
- De producent behoudt zich het recht voor om wijzigingen aan te brengen die het gebruik van het apparaat niet beïnvloeden.
- Sommige opmerkingen in deze gebruiksaanwijzing zijn hetzelfde voor de verschillende typen koelapparatuur, (voor koelkasten, koel-vriescasten of diepvriezers). U vindt informatie over het type van uw apparaat op de productkaart die is meegeleverd met het product.
- Producent steelt zich niet verantwoordelijk voor de schade die uit het niet nagaan van de aanwijzingen van deze gebruiksaanwijzing voortvloeit.
- Wij adviseren deze gebruiksaanwijzing zorgvuldig te bewaren om te kunnen raadplegen in de toekomst of doorgeven aan de volgende gebruiker.
- Dit apparaat is niet bestemd voor gebruik door personen met een beperkte fysieke, somatische of psychische vaardigheden (waaronder kinderen) en personen die geen ervaring ermee of kennis ervan hebben, tenzij dit onder toezicht of volgens gebruiksaanwijzing gebeurt, die door personen die voor de veiligheid verantwoordelijk zijn doorgegeven wordt.
- Wees u bijzonder attent op het zelfstandig gebruik van het apparaat door kinderen. Het apparaat is geen speelgoed. Het is verboden om op de uitschuifbare elementen te zitten en aan de deur hangen.
- De koelvries combinatie werkt correct in de omgevingstemperatuur welke aangegeven staat op de tabel met technische gegevens. Plaats het apparaat niet in een kelder, een gang of een niet verwarmde chalet in de herfst en in de winter.
- Tijdens het opstellen, schuiven en optillen is het verboden om aan de deurhandgrepen te grijpen, aan de gleuf aan de achterkant van de koelkast te trekken of compressor aan te raken.
- Tijdens het transport, het optillen of opstellen dient de

koel-vriescombinatie zich niet meer dan 40° van de verticale positie bevinden. Indien dit wel plaatshad, kan het apparaat pas na 2 uur na de opstelling aangezet worden (tek. 2).

- Voordat u aan onderhoudswerkzaamheden begint haal altijd de stekker uit het stopcontact. Trek nooit aan het netsnoer, maar aan de stekker.
- De ongewone of sterkere geluiden ontstaan door het uitbreiden en verkleinen van de onderdelen door de temperatuurwijzigingen.
- Vanwege de veiligheid is het niet aangeraden om het apparaat zelf te herstellen. De herstellingswerkzaamheden, die door niet bevoegde personen zijn uitgevoerd, kunnen gevaarlijk voor de gebruikers van het apparaat zijn.
- Ingeval van storing van het koelsysteem is het aangeraden om de ruimte, waarin het apparaat geplaatst werd door enkele minuten te ventileren (deze ruimte dient ten minste 4 m³ hebben; voor het product met isobutaan/R600a)
- Gedeeltelijk ontdooide producten dient u niet nog een keer in te vriezen.
- Bewaar dranken in blikken en flessen, in het bijzonder koolzuurhoudende dranken, niet in de diepvriezer. Blikken en flessen kunnen barsten.
- Plaats geen pas van de diepvriezer genomen producten direct in de mond (ijs, ijsblokken, ezv.), hun lage temperatuur kan ernstige letsels veroorzaken.
- Let op om het koelsysteem niet te beschadigen, bv. door het prikken in de kanalen van de koelvloeistof in de verdampers, het breken van pijpen. Het ingespoten koelvloeistof is brandbaar. Ingeval van contact met het oog, dient u het met schoon water afspoelen en onmiddellijk met arts contacteren.
- Als de voedingskabel beschadigd raakt, dan moet deze vervangen worden bij een specialistische service.
- Het apparaat is bestemd voor het bewaren van voedingsmiddelen. Gebruik het niet voor andere doeleinden.
- Koppel het apparaat volledig los van het lichtnet (door de stekker uit het stopcontact te trekken) tijdens werkzaamheden als schoonmaken, onderhoud of verplaatsen.
- Dit apparaat mag gebruikt worden door kinderen van 8 jaar en ouder, door personen met een lichamelijke, zintuiglijke of verstandelijke beperkingen en personen zonder ervaring of

kennis van het apparaat wanneer op hen gelet wordt of ze geïnstrueerd zijn over het veilig gebruik van het apparaat en ze de gevaren kennen in verband met het gebruik van het apparaat. Kinderen mogen niet met het apparaat spelen. Reiniging en onderhoud mogen niet door kinderen gedaan worden tenzij ze 8 jaar zijn of ouder en er toezicht wordt gehouden door een juiste persoon.

- Om meer ruimte te creëren in de diepvriezer, kunt u de laden verwijderen en de producten direct op de legplanken plaatsen. Dit heeft geen invloed op de thermische en mechanische eigenschappen van het apparaat. De opgegeven inhoud van de diepvriezer is berekend bij afwezigheid van de laden.



WAARSCHUWING: Brandgevaar / brandbare materialen

- Kinderen van 3 tot 8 jaar mogen producten in het koelapparaat zetten en eruit halen.

Om verontreiniging van de voedingsmiddelen te voorkomen, moet u zich houden aan de volgende regels:

- Als u de deur lange tijd opent, kan de temperatuur in de verschillende ruimten van het apparaat aanzienlijk stijgen.
- Maak de oppervlakken die in contact komen met voedingsmiddelen regelmatig schoon evenals, indien aanwezig, de waterafvoersystemen.
- Bewaar rauw vlees en vis in geschikte containers in de koelkast, zodat ze niet in contact kunnen komen met andere voedingsmiddelen en niet op andere voedingsmiddelen kunnen lekken.
- Vriesruimten met twee sterren zijn bestemd voor het bewaren van eerder ingevroren voedingsmiddelen, het bewaren of bevriezen van ijs of het bevriezen van ijsblokjes.
- Ruimtes met één ster, twee sterren en drie sterren zijn niet bestemd voor het invriezen van verse voedingsmiddelen.

	Soorten ruimten	Uiteindelijke bewaartemperatuur [°C]	Geschikte voedingsmiddelen
1	Koelkast	+2 ≤ +8	Eieren, gekookte voedingsmiddelen, verpakte voedingsmiddelen, vruchten en groenten, zuivel, gebak, dranken en overige producten die niet geschikt zijn om in te vriezen.
2	Diepvriezer ❄️***	≤-18	Zeevruchten (vis, garnalen, mosselen), zoetwaterproducten en vleesproducten (aanbevolen 3 maanden, hoe langer de bewaartijd, hoe minder smakelijk en voedzaam het product zal zijn), geschikt voor ingevroren verse producten.
3	Diepvriezer ***	≤-18	Zeevruchten (vis, garnalen, mosselen), zoetwaterproducten en vleesproducten (aanbevolen 3 maanden, hoe langer de bewaartijd, hoe minder smakelijk en voedzaam het product zal zijn), niet geschikt voor bevroren verse producten.
4	Diepvriezer (**)	≤-12	Zeevruchten (vis, garnalen, mosselen), zoetwaterproducten en vleesproducten (aanbevolen 2 maanden, hoe langer de bewaartijd, hoe minder smakelijk en voedzaam het product zal zijn), niet geschikt voor bevroren verse producten.
5	Diepvriezer (*)	≤-6	Zeevruchten (vis, garnalen, mosselen), zoetwaterproducten en vleesproducten (aanbevolen 1 maand, hoe langer de bewaartijd, hoe minder smakelijk en voedzaam het product zal zijn), niet geschikt voor bevroren verse producten.
6	Ruimte zonder sterren	-6 ≤ 0	Vers varkensvlees, rundvlees, vis, kip, sommige verpakte, verwerkte producten etc. (aanbevolen wordt deze dezelfde dag nog te eten, maar uiterlijk binnen 3 dagen). Gedeeltelijk verpakte, verwerkte producten (producten die niet geschikt zijn om in te vriezen)
7	Koelruimte	2 ≤ +3	Vers/bevroren varkensvlees, rundvlees, kip, zoetwaterproducten etc. (7 dagen onder 0°C, boven 0°C wordt aanbevolen deze nog dezelfde dag te eten, maar uiterlijk binnen 2 dagen). Zeevruchten (onder 0°C gedurende 15 dagen, bij voorkeur niet bewaren bij temperaturen hoger dan 0°C)
8	Ruimte voor het bewaren van verse voedingsmiddelen	0 ≤ +4	Vers varkensvlees, rundvlees, vis, kip, gekookte producten etc. (aanbevolen wordt deze dezelfde dag nog te eten, maar uiterlijk binnen 3 dagen).
9	Ruimte voor het bewaren van wijn	+5 ≤ +20	Rode, witte, mousserende wijnen etc.

- Opgelet: bewaar de producten in overeenstemming met de aanbevelingen voor de verschillende ruimten en de aanbevolen bewaartemperatuur van het product.
- Als u het koelapparaat niet gebruikt en het langere tijd leeg zal staan, moet u het uitschakelen, ontdooien, schoonmaken, drogen en de deur open laten staan om te voorkomen dat er in het apparaat schimmel ontstaat.
- Reinigen van de waterdispenser (voor producten met waterdispenser): Reinig de watertanks als ze 48 uur niet zijn gebruikt; als het water gedurende 5 dagen niet is afgetapt, spoel dan het watersysteem dat op de waterleiding is aangesloten door.
- De minimumperiode waarin reserveonderdelen die nodig zijn om het apparaat te repareren beschikbaar blijven, bedraagt 7 of 10 jaar, afhankelijk van het type en het doel van het reserveonderdeel, en is in overeenstemming met Verordening (EU) 2019/2019 van de Commissie.
- De lijst met reserveonderdelen en de bestelprocedure zijn beschikbaar op de websites van de fabrikant, importeur of de officiële vertegenwoordiger.
- Meer informatie over het product vindt u in de Europese productdatabase voor energie-etikettering EPREL op de website <https://eprel.ec.europa.eu>. U kunt de informatie verkrijgen door de QR-code op het energie-etiket te scannen of door het productmodel in te voeren in de zoekmachine van EPREL <https://eprel.ec.europa.eu/>

INSTALLATIE EN WERKOM- STANDIGHEDEN VAN HET APPARAAT

Dit koelapparaat is niet bedoeld voor gebruik als inbouwapparaat.

Installatie voor de eerste ingebruikname

- Pak het product uit en verwijder de veiligheidsbanden van de deur en uitrusting (Tek. 4). De restanten van het lijm kunt u met een zacht reinigingsmiddel verwijderen.
- Gooi de piepschuim elementen van de verpakking niet weg. Ingeval van een toekomstig transport, dient de koel-vriescombinatie nog een keer met behulp van piepschuim elementen, folie en plakband beveiligd te worden.
- Was de binnenkant van de koelkast en de diepvriezer met een zacht warm water met een afwasmiddel en daarna droog het met een doek en wacht tot het droog wordt.
- Plaats de koel-vriescombinatie op een ondergrond, die vlak, waterpas en stabiel is, in een droge en regelmatig ventileerde ruimte, niet in direct zonlicht of naast andere warmtebronnen, zoals een gasfornuis, CV-radiator, CV-buis of warme water installatie ezv.
- Op de buiten oppervlakken van het product kan zich beschermende folie bevinden welke verwijderd dient te worden.
- Het apparaat moet waterpas geplaatst zijn, wat kunt u bereiken door op een juiste manier 2 voorvoetjes op te schuiven (tek. 3).
- Om de deur vrijuit te kunnen openen, dient de afstand tussen de zijwand van het product (aan de kant van de deurscharnieren) en de muur in overeenstemming te zijn met afbeelding 5*.
- De ruimte dient regelmatig geventileerd te worden en het lucht dient onbelemmerd van alle zijden van het apparaat circuleren (tek. 6*).

Minimale afstanden van warmtebronnen

- van elektrische fornuizen, gasfornuizen en andere fornuizen - 30 mm,
- van olie- of steenkoolkachels - 300 mm,
- van ingebouwde fornuizen - 50 mm

Indien het behouden van deze afstanden niet mogelijk is, dient u een juiste isolatieplaat te gebruiken.

Attentie:

- De achterwand van de koelkast en in het bijzonder de condensor en andere elementen van het koelingsysteem mogen de andere elementen niet aan te raken, in het bijzonder elementen die defecten kunnen veroorzaken (CV-buis en wateraanvoerbuis).
- Het is verboden om aan de onderdelen van het aggregaat te manipuleren. In het bijzonder mag het capillair niet defect te zijn, die u bij de compressor ziet. Het capillair mag niet gevouwen, getrokken nog gerold worden.
- Het beschadigen van het capillair door de gebruiker maakt de garantie ongeldig (tek. 8).
- In geselecteerde modellen bevindt zich de deurhendel aan de binnenkant van het product en dient het vastgeschroefd te worden met een schroevendraaier.

Aansluiten op het electriciteitsnet

- Zet de temperatuurregelaar in de positie „OFF” of een andere positie die het apparaat uitschakelt (zie de pagina met de beschrijving van de besturing) voordat u het aansluit.
- Suit het apparaat op het electriciteitsnet met wisselstroom 220-240V, 50Hz aan, met gebruik van een correct geïnstalleerd stopcontactdoos, die geaard is en over een zekering van 10A beschikt.
- De aansluiting op het electriciteitsnet met een aarding moet volgens de wettelijke voorschriften uitgevoerd zijn. De producent stelt zich niet verantwoordelijk voor de schade, die door de personen of voorwerpen geleden kan worden als gevolg van het niet nagaan van de verplichting van dit voorschrift.
- Het is verboden om verloopstekkers, verdeelstekkers en verlengsnoeren te gebruiken. Indien u wel een verlengsnoer moet gebruiken, het dient over een beschermring te beschikken, alleen één contactdoos hebben en over een veiligheidsatstest VDE/GS te beschikken.
- Ingeval van het gebruik van een verlengsnoer (met een beschermring en veiligheidsmarkering), moet zijn nest zich in een veilige afstand van waterbakken bevinden en kan niet het gevaar oplopen om met het water en ander afvalwater in aanraking te komen..
- De gegevens staan op de typeplaatje, dat zich beneden aan de binnenwand van de koelkast bevindt**.

Uitschakelen

Het apparaat dient in elk moment van het electriciteitsnet te kunnen worden uitgeschakeld door de stekker eruit te halen of de dubbelpolige schakelaar uit te zetten (tek. 9).

Klimaatklasse

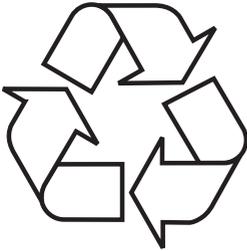
Informatie over de klimaatklasse staat op de typeplaatje. Deze geeft aan in welke omgevingstemperatuur (dwz. ruimte, waarin hij staat) het product optimaal (correct) werkt.

Klimaatklasse		Toelaatbare omgevingstemperatuur
SN	uitgebreid gematigd	Het koelapparaat is bestemd voor gebruik bij omgevingstemperaturen binnen een bereik van 10°C tot 32°C
N	gematigd	Het koelapparaat is bestemd voor gebruik bij omgevingstemperaturen binnen een bereik van 16°C tot 32°C
ST	subtropisch	Het koelapparaat is bestemd voor gebruik bij omgevingstemperaturen binnen een bereik van 16°C tot 38°C
T	tropisch	Het koelapparaat is bestemd voor gebruik bij omgevingstemperaturen binnen een bereik van 16°C tot 43°C

* Geldt niet voor inbouwapparatuur

**Toegepast afhankelijk van het model

UITPAKKEN



Het apparaat is beveiligd tegen transportschade. Na het uitpakken moet het verpakkingsmateriaal zo verwerkt worden dat er geen risico voor het milieu ontstaat. Al het materiaal dat voor de verpakking is gebruikt is milieuvriendelijk, het kan voor 100% hergebruikt worden

en het is gelabeld met het bijbehorende symbool. **Attentie!** Het verpakkingsmateriaal (polyetheleenzakjes, stukken polystyreen etc.) bij het uitpakken buiten het bereik van kinderen houden.

VERWIJDERING VAN GEBRUIKTE APPARATUUR



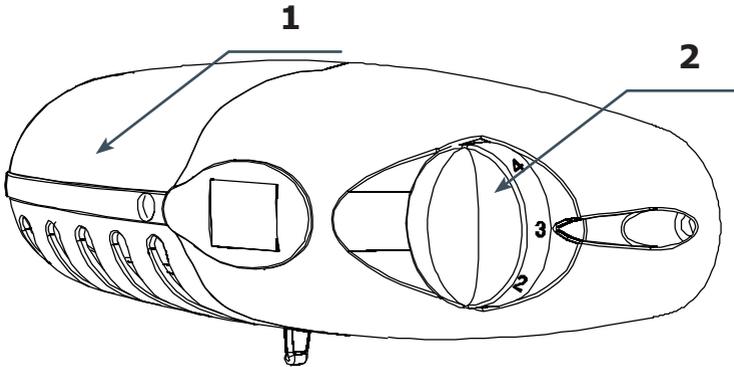
Dit product is overeenkomstig met de Europese richtlijn 2012/19/EG. Dit merkteken informeert dat dit apparaat na afloop van zijn levensduur niet samen met ander huishoudelijk afval verwijderd mag worden. De gebruiker is verplicht om het aan te bieden bij een inzamelpunt voor gebruikte elektrische en elektronische apparatuur.

De inzamelende instanties, waaronder lokale inzamelpunten, winkels en gemeentelijke instanties vormen een geschikt systeem voor de inzameling van deze apparatuur. De juiste behandeling van gebruikte elektrische en elektronische apparatuur leidt tot het vermijden van consequenties die schadelijk zijn voor de menselijke gezondheid en de natuurlijke omgeving en voortkomen uit de aanwezigheid van gevaarlijke bestanddelen en verkeerde opslag en verwerking van dergelijke apparatuur.

BEDIENING

Bediening van het apparaat

Het bedieningspaneel staat weergegeven op afbeelding 10. Om het u makkelijk te maken staat hij ook hieronder:



- 1 - Lichtbron
2 - Thermostaat

Regelen van de temperatuur in het apparaat

Verandering van de instelling van de draaiknop zorgt voor een temperatuurwijziging in het apparaat:

- Positie OFF/0 Het apparaat is uitgeschakeld
- Positie 1 In het apparaat heerst de hoogste temperatuur (binnenin is het warmer)
- Posities 2-6 In het apparaat heerst een gemiddelde temperatuur
- Positie 7 In het apparaat heerst de laagste temperatuur (binnenin is het kouder)

Opgelet:

- Het is mogelijk dat de thermostaat van uw apparaat een andere schaalverdeling heeft dan deze omschrijving. De algemene regel van de werking is hier boven beschreven.
- Als de draaiknop van uw apparaat geen positie heeft die is aangegeven als "OFF" of "0", kunt u het apparaat volledig uitschakelen door de stekker uit het stopcontact te trekken. Voordat u het apparaat uitschakelt moet u de laagste waarde van de thermostaat instellen.

Aanvullende informatie betreffende de temperatuur

- Er zijn veel factoren die invloed hebben op de temperatuur in het apparaat. De instelling van de draaiknop is onder andere afhankelijk van de omgevingstemperatuur, de hoeveelheid zonlicht, de frequentie waarmee het apparaat wordt geopend, de hoeveelheid levensmiddelen. De middelste positie van de draaiknop is in de meeste gevallen het meest optimaal.
- De cellen dienen met levensmiddelen pas na het afkoelen opgevuld worden min. na 4 uur werking van het apparaat.
- Het is niet aangeraden om de temperatuur vanwege de verandering van seizoenen in te stellen. De stijging van de omgevingstemperatuur wordt door de sensor ontdekt en gaat de compressor automatisch langer werken om de gewenste binnentemperatuur te behouden.
- Geringe veranderingen van de temperatuur zijn normaal en kunnen ontstaan door bv. een groot aantal verse producten in de koelkast te bewaren of wanneer de deur door een langere periode open stond. Het heeft geen invloed op de levensmiddelen en de temperatuur gaat snel terug naar de normale waarde.

VERLICHTING

Dit hoofdstuk betreft apparaten die fabrieksmatig zijn uitgerust met gloeilampen en bepaalde apparaten met ledverlichting in de vorm van lampjes met een E14-fitting.

Vervanging van de verlichting

- Zet de draaiknop in de positie "OFF" en haal vervolgens de stekker uit het stopcontact.
- Demonteer het beschermkapje van het lampje en haal het lampje eruit (Afb. 18).
- Vervang het lampje door een werkend lampje met identieke parameters als het fabrieksmatig geïnstalleerde lampje (220-240 V, max., fitting E14, maximale afmetingen van het bolletje: doorsnede - 26 mm, lengte 55 mm).
- Bevestig het beschermkapje van het lampje.
- Gebruik geen lampjes met een kleiner of groter vermogen. Pas uitsluitend lampjes toe met de parameters die hierboven staan vermeld.

Opgelet:

- Gebruikte verlichting mag niet worden gebruikt voor het verlichten van woonruimten.
- Indien deze gebruiksaanwijzing geen afbeelding bevat met nummer 18, moet het lampje worden vervangen door een gekwalificeerde technicus van de servicedienst.

BEDIENING EN FUNCTIES

Het bewaren van producten in de koelkast

- Bewaar de producten op borden, in dozen of in voedselolie verpakt. Plaats ze gelijkmatig op de oppervlakte van de platen.
- Levensmiddelen mogen niet met de achterwand in aanraking komen, indien het wel gebeurt kunnen ze verrijpen of vochtig worden.
- Het is verboden om warme voedsel in de koelkast te plaatsen.
- Producten, die makkelijk geuren opnemen, bv. boter, melk, kwark en producten die een sterk geur hebben, bv. vlees, vissen en kazen dienen verpakt met folie of in goed gesloten dozen geplaatst worden.
- Groenten die rijk aan water zijn, veroorzaken verdamping over de groentelade; dit verstoort de correcte werking van de koelkast niet.
- Droog de groenten voor het plaatsen ervan in de koelkast.
- Te grote hoeveelheid vocht verkort de tijd van het bewaren, in het bijzonder met betrekking tot groenten met bladeren.
- Bewaar de groenten zonder wassen. Het wassen verwijderd hun beschermingslaag, daarom is het aangeraden om ze net voor het eten te wassen.
- De producten in korven (laden) 1, 2, 3* plaats (zie tek. 11).**

1. verpakte producten
2. Verdamer plank / kast
3. Normaal laadniveau
4. ❌***

- Het is toegestaan om producten op de draadroosters van de verdamer van de diepvriezer te plaatsen*
- Het is toegestaan dat producten 20-30 mm voorbij de natuurlijke laadgrens worden geschoven.**
- U kunt de onderste mand verwijderen om meer laadruimte te creëren. U stapelt de producten op de bodem van de diepvriezer tot de maximale hoogte.*

Het invriezen van producten**

- Bijna alle levensmiddelen kunnen worden ingevroren, met uitzondering van groenten die rauw worden gegeten, bv. sla.
- Alleen producten van uitstekende kwaliteit kunnen worden ingevroren, verpakt in afgemeten porties die op een keer kunnen worden gebruikt.
- Gebruik materialen zonder geur om producten te verpakken, die geen lucht nog vocht toelaten en vet niet doorlaten. Het meest geschikt zijn: zakjes, platen van polyetheenfolie, aluminiumfolie.
- De verpakking dient goed worden gesloten en bij het product passen. Glazen verpakkingen zijn verboden.
- Breng verse en warme levensmiddelen (in de omgevingstemperatuur) die gaan worden ingevroren, niet in contact met reeds ingevroren producten.
- Aanbevolen wordt om per etmaal eenmalig niet meer dan de aanbevolen hoeveelheid verse levensmiddelen in de diepvriezer te plaatsen die staat vermeld in de technische specificatie van het apparaat.

- Om de goede kwaliteit van de ingevroren producten te garanderen, is het aangeraden om de reeds ingevroren producten te verplaatsen opdat ze niet in contact met verse producten komen.
- De ingevroren producten dienen op de ene kant van de diepvriezer geplaatst worden en de verse producten aan de andere kant, zo dicht mogelijk bij de achter- en zijwand.
- Gebruik voor het invriezen van producten de ruimte die is aangeduid met ***.
- De temperatuur in de koelkast wordt onder andere bepaald door: omgevingstemperatuur, het aantal geplaatste levensmiddelen, frequentie van deuropening, de hoeveelheid rijp, de stand van de thermostaat
- Indien na het sluiten van de koelkast de deur niet direct opnieuw opengaat, wacht 1 tot 2 minuten, zodat de ontstane onderdruk gecompenseerd wordt.

De bewaartijd van ingevroren producten is afhankelijk van hun kwaliteit voor het invriezen en de bewaringstemperatuur. Bij een bewaringstemperatuur van -18°C zijn de volgende bewaartijden aanbevolen:

Producten	Manden
Rundvlees	6-8
Kalfsvlees	3-6
Inwendige organen	1-2
Varkensvlees	3-6
Kippenvlees	6-8
Eieren	3-6
Vissen	3-6
Groenten	10-12
Fruit	10-12

De ruimte voor snelkoeling is niet geschikt voor het bewaren van bevroren voedsel. In deze ruimte kunt u ijsblokjes maken en bewaren.

Opgelet: Als het apparaat geen ruimte met  heeft, betekent dit dat dit koelapparaat niet geschikt is voor het invriezen van voedingsmiddelen.

* Betreft apparaten met een vriesruimte in het onderste gedeelte van het apparaat

** Betreft apparaten met een vriesruimte 

*** Geldt niet voor apparaten met een vriesruimte met de aanduiding 

HOE KAN DE KOELKAST ECONOMISCH GEBRUIKT WORDEN?

Praktische tips

- Plaats de koelkast of de vrieskast niet in de nabijheid van radiatoren, ovens en stel ze niet rechtstreeks bloot aan zonnestralen.
- Zorg ervoor dat de ventilatieopeningen niet bedekt zijn. Ze moeten een- tot tweemaal per jaar gereinigd en ontstof worden.
- De gepaste temperatuur kiezen: een temperatuur van 6 tot 8 °C in de koelkast en -18 °C in de vrieskast is voldoende.
- Als u op vakantie vertrekt, dient u de temperatuur in de koelkast te verhogen.
- Open de deur van de koelkast of de vrieskast enkel als dit noodzakelijk is. Het is goed om te weten welke levensmiddelen er in de koelkast bewaard worden en waar ze zich precies bevinden. Ongebruikte levensmiddelen dienen zo snel mogelijk terug in de koelkast of de vrieskast geplaatst worden, voordat ze opwarmen.
- Reinig de binnenkant van de koelkast regelmatig met een doekje met zacht detergent. Toestellen zonder automatische ontdooifunctie dienen regelmatig ontdooid te worden. Vermijd dat er een rijm laag van meer dan 10 mm dik gevormd wordt.
- De afdichting rond de deur moet rein gehouden worden. Anders zal de deur niet meer volledig sluiten. Een beschadigde afdichting moet altijd vervangen worden.

Wat betekenen de sterretjes?



Een temperatuur van niet meer dan -6 °C volstaat om ingevroren levensmiddelen gedurende ongeveer een week te bewaren. Lades of vakken die aangeduid zijn met één sterretje vindt men (meestal) in goedkopere koelkasten.



Bij een temperatuur van minder dan -12 °C kan men gedurende één tot twee weken levensmiddelen bewaren zonder dat ze hun smaak verliezen. Dit is niet voldoende om levensmiddelen in te vriezen.



Hoofdzakelijk gebruikt om levensmiddelen in te vriezen bij een temperatuur van minder dan -18 °C. Laat toe om verse levensmiddelen met een gewicht tot 1 kg in te vriezen.



Zo'n toestel laat toe om levensmiddelen bij een temperatuur van minder dan -18 °C te bewaren en grotere hoeveelheden levensmiddelen in te vriezen.

Zones in de koelkast

Door de natuurlijke luchtcirculatie ontstaan er in het koelvak verschillende temperatuurzones.

- De koudste zone bevindt zich rechtstreeks boven de groentelades. In deze zone dienen delicate en snel bederfbare levensmiddelen bewaard te worden zoals:
 - vis, vlees, gevogelte,
 - vleeswaren, kant-en-klare maaltijden,
 - gerechten of gebak met eieren of room,
 - vers deeg, cakemengsels,
 - verpakte groenten en andere verse levensmiddelen waarvan het etiket een bewaar temperatuur van ongeveer 4 °C aangeeft.
- De warmste zone bevindt zich bovenaan in de deur. Hier dient boter en kaas bewaard te worden.

Levensmiddelen die niet in de koelkast bewaard mogen worden

- Niet alle levensmiddelen mogen in de koelkast bewaard worden. Dit zijn onder andere:
 - groenten en fruit die gevoelig zijn voor lage temperaturen, bijvoorbeeld bananen, avocado, papaja, passievrucht, aubergine, paprika, tomaat en komkommer.
 - Onrijpe vruchten,
 - Aardappelen

Attentie:

Voorbeeld van producten plaatsing in het apparaat (Tek. 12).

Om voedingsmiddelen zo lang mogelijk te kunnen bewaren en verspilling te voorkomen, plaatst u de producten zoals weergegeven op Afb. 12. Bovendien toont deze afbeelding de verdeling van laden, manden en planken die zorgt voor het meest efficiënte energiegebruik van het koelapparaat.

Het bewaren van voedingsmiddelen onder de juiste omstandigheden en bij de juiste temperatuur verlengt de houdbaarheid en optimaliseert het elektriciteitsverbruik. Het juiste temperatuurbereik moet op de verpakking of etiketten van voedselproducten zijn vermeld.

ONTDOOIEN, WASSEN EN ONDERHOUD

Gebruik nooit oplosmiddelen of agressieve, schurende schoonmaakmiddelen (bv. schuurpoeders of reinigingsmelk) voor het schoonmaken van de behuizing en de plastic onderdelen van het product! Gebruik alleen milde vloeibare schoonmaakmiddelen en een zacht doekje. Gebruik geen sponsjes.

Ontdooien van de koelkast***

- Aan de achterwand van de koelkast ontstaat rijp, die automatisch ontdooit. Tijdens het ontdooien van de rijp, tezamen met de druppeltjes kunnen ook ontreinigingen door de opening voortvloeien. Dit kan het verstopping van de opening veroorzaken. In zo'n geval moet de opening met plunjer gereinigd worden (tek. 13).
- Het apparaat werkt in cycluszakken: eerst koelen (aan de achterwand ontstaat rijp) en daarna ontdooien van de rijp (druppeltjes aan de achterwand).
- Voor het beginnen met reinigen dient het apparaat van het elektriciteitsnet uitgeschakeld worden, door de stekker eruit te halen, uitschakeling of losdraaien van de zekering. Het water mag niet in contact met het bedieningspaneel of verlichting komen.
- Gebruik bij het ontdooien geen ontdooisprays. Ze kunnen explosieve mengsels vormen en oplosers bevatten die de kunststof onderdelen van het apparaat beschadigen en zelfs voor de gezondheid schadelijk zijn.
- Het water die bij het wassen gebruikt wordt mag niet door de opening naar de verdampers vloeien.
- Was het apparaat met een zachte detergent, behoudens de dichting in de deur. De dichting in de deur was met schoon water en droog met een doek.
- Reinig nauwkeurig alle elementen van de uitrusting (groentevakken, rekken, glazen platen e.z.v.).

Ontdooien van de diepvriezer**

- Het is aangeraden om het ontdooien van de diepvriezer tezamen met het wassen van het product uit te voeren.
- Grote hoeveelheid ijs op de vriesoppervlakten verstoort de werking van het apparaat en vergroot het energieverbruik.
- Het is aangeraden om het apparaat ten minste een of twee keer per jaar te ontdooien. Wanneer er veel ijs ontstaat, moet u het apparaat vaker ontdooien.
- Indien in de diepvriezer bevinden zich ingevroren levensmiddelen, stel de draaiknop op max. ong. 4 uur voor het geplande ontdooien in. Daardoor gaat het mogelijk zijn om de ingevroren producten in de kamertemperatuur te bewaren.
- Plaats de ingevroren producten in een kan, omgevouwen met krantenpapier en deken en houd ze in een koude plek.
- Het ontdooien van de diepvriezer dient zo snel mogelijk uitgevoerd worden. Het te lange bewaren van de producten in de kamertemperatuur verkort hun houdbaarheid.

Om de vriesruimte te ontdooien handelt u als volgt:**

- Schakel het apparaat uit met behulp van het bedieningspaneel en trek vervolgens de stekker uit het stopcontact.
- Open de deur en haal de producten eruit.
- Afhankelijk van het model trekt u het afvoerkanaaltje naar buiten dat zich in het onderste gedeelte van de diepvries in de basis van het apparaat bevindt.
- Laat de deur openstaan, hierdoor versnelt u het ontdooiproces. U kunt ook een schaal met heet (geen kokend) water in de vriesruimte plaatsen.
- Maak de binnenkant van de diepvriezer schoon en droog hem af.
- Schakel het apparaat in volgens de gebruiksaanwijzing.

Automatisch ontdooien van de koelkast****

De koelkast werd in de functie van automatisch ontdooien voorzien. Toch kan het aan de achterwand van de koelkast rijp verzamelen. Deze ontstaat als veel verse producten in de koelkast bewaard worden.

Automatisch ontdooien van de diepvriezer****

De diepvriezer werd in de functie van automatisch ontdooien voorzien (no-frost). Voedsel wordt met gebruik van koud, circelend lucht ingevroren en de vocht van de diepvriezer wordt naar buiten afgevoerd. Daardoor in de diepvriezer ontstaan er geen grote hoeveelheden ijs en rijp en de producten vriezen niet samen.

Handwassen van de koelkast en diepvriezer****

Het wordt aangeraden om de koelkast en diepvriezer ten minste een keer per jaar te wassen.

Het voorkomt het ontstaan van bacteriën en onprettige geuren. Schakel het apparaat met de knop (1) uit, maak het leeg van producten en was met water met zachte detergent. Daarna droog met een doek.

Uithalen en inzetten van de legplateaus*****

Til het legplateau op en schuif het uit, schuif het daarna in totdat u niet meer verder kunt en de sluiting van het legplateau zich in de geleider bevindt (Afb. 15).

Plaatsen en verplaatsen van de opbergvak*****

Druk het opbergvak omhoog en neem het naar voren en zet op de gewenste hoogte terug (Afb. 16).

Ten alle tijde is het verboden om de diepvriezer met gebruik van een elektrische radiator of haardroger te ontdooien.

- ** Betreft apparaten met een vriesruimte (*/*/*).
- *** Geldt niet voor apparaten met een Antirijpsysteem
- **** Betreft apparaten met een koelruimte.
- ***** Geldt niet voor apparaten met een Antirijpsysteem
- ***** Betreft apparaten met een Antirijpsysteem
- ***** Niet van toepassing voor diepvriezers

STORINGEN VINDEN EN VERHELPEN

Verschijnselen	Mogelijke redenen	Herstellings wijze
Het apparaat werkt niet	Onderbreking in de elektrische installatie	<ul style="list-style-type: none"> - controleer of de stekker goed in het stopcontact zit - controleer of de spanningskabel niet beschadigt is - controleer of er spanning op het stopcontact staat door bv. een ander toestel aan te sluiten bv. een nachtlamp - controleer of het apparaat aan staat door de thermostaat op meer dan 0 te zetten
Binnenverlichting werkt niet	De gloeilamp is los of doorgebrand (In apparaten met gloeilampen verlichting).	- Controleer het vorige punt „Het apparaat werkt niet“- draai de gloeilamp aan of vervang de doorgebrande (In apparaten met gloeilampen verlichting).
Het apparaat werkt continue	<p>Slechte instelling van de temperatuurregelaar</p> <p>Andere redenen in het punt „Vries-/koeltemperatuur is niet laag genoeg“</p>	<p>- temperatuur met de draaiknop naar beneden draaien</p> <p>- controleren volgens punt „Vries-/koeltemperatuur is niet laag genoeg“</p>
Er ontstaat water in de onderste deel van de koelkast	<p>De waterafvoeropening is verstopt</p> <p>De ventilatie binnen de cel is belemmerd</p>	<p>- maak de verstopte opening schoon (zie hoofdstuk - „Ontdooien van de koelkast“)</p> <p>- controleer of de levensmiddelen en dozen de achterwand van de koelkast niet aanraken</p>
Ongewone of sterkere geluiden	<p>Het apparaat staat niet waterpas en stabiel</p> <p>Het apparaat raakt aan wanden, meubels of andere elementen</p>	<p>- het apparaat waterpas opstellen</p> <p>- het apparaat zo opstellen, dat er geen andere elementen aanraakt en zelfstandig staat</p>

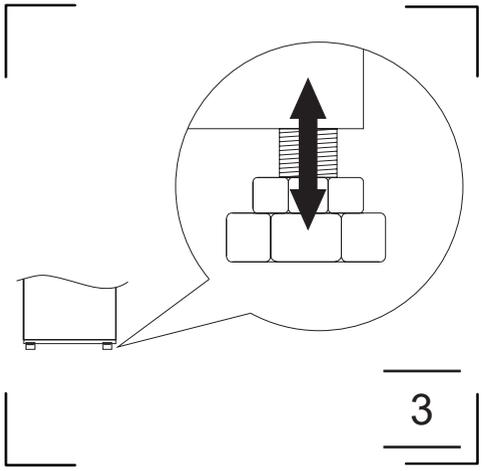
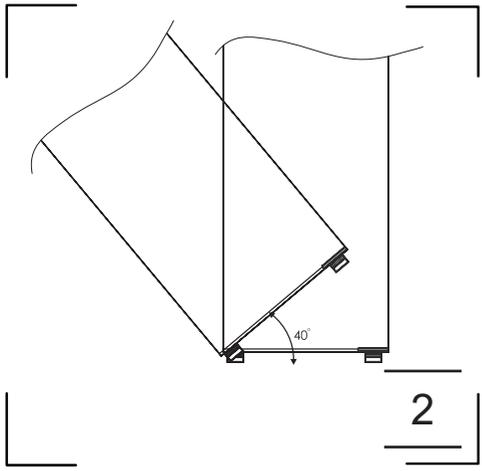
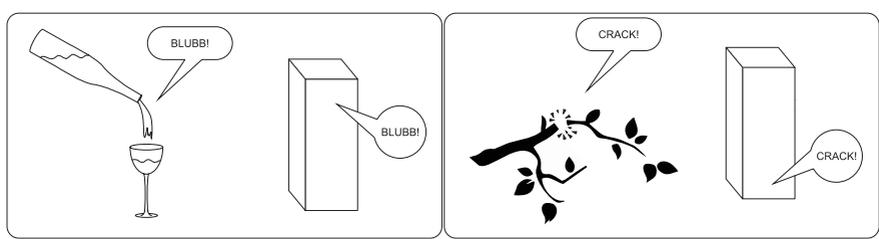
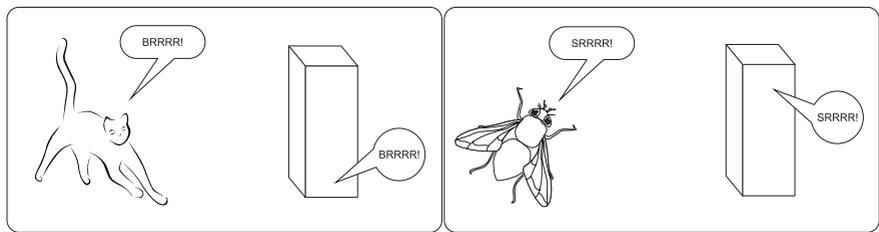
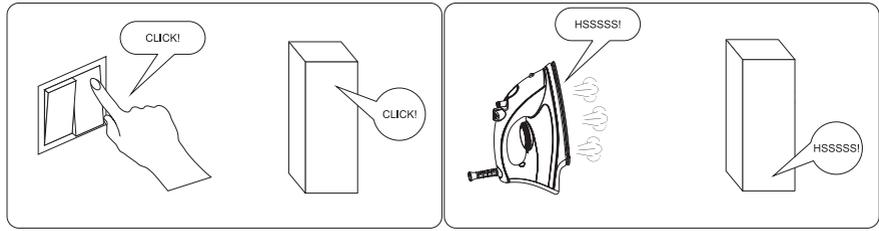
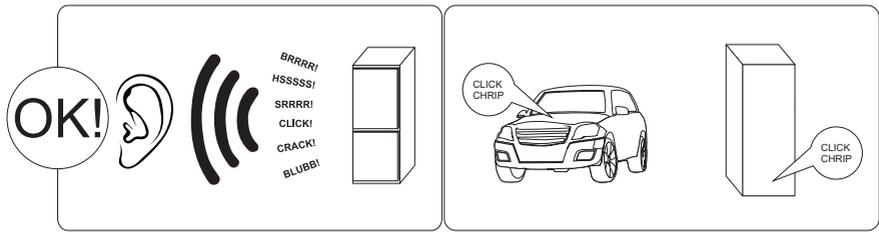
Verschijnselen	Mogelijke redenen	Herstellings wijze
Vries-/koeltemperatuur is niet laag genoeg	Slechte instelling van de temperatuurregelaar	- draai de draaiknop op een hogere positie
	De omgevingstemperatuur is hoger of lager dan de temperatuur welke aangegeven staat op de tabel met technische gegevens van het apparaat.	Het apparaat is bestemd voor werking in een temperatuur welke aangegeven is op de tabel met technische gegevens van het apparaat.
	Het apparaat staat in de zon of te dicht bij een warmtebron	- verander de opstelling van het apparaat volgens de gebruiksaanwijzing
	In het apparaat werd te grote hoeveelheid warme levensmiddelen per een keer gelegd	- 72 uur wachten tot de producten gekoeld (ingevroren) worden en de temperatuur terug naar het gewenste niveau gaat
	De ventilatie binnen de cel is belemmerd	- controleer of de levensmiddelen en dozen de achterwand van de koelkast niet aanraken
	De ventilatie aan de achterkant van het apparaat is belemmerd	- van de wand schuiven voor de afstand van min. 30 mm
	De deur van de koelkast/vriezer wordt te vaak geopend of blijft te lang open staan	- de deur minder vaak openen en/of de tijd van open staan verkorten
	De deur is niet goed gesloten	- levensmiddelen en vakken zo leggen, dat ze het sluiten van de deur niet belemmeren
	De compressor werkt niet vaak genoeg	- controleer of de omgevingstemperatuur niet lager is dan het bereik van de klimaatklasse.
De dichting van de deur zit los	- dichting vastmaken	

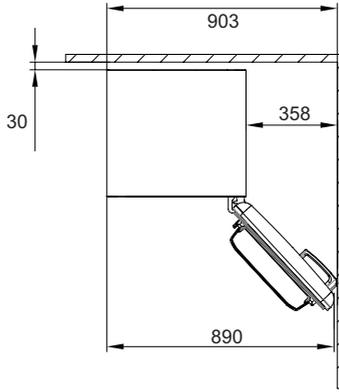
Bij het normale gebruik van het koeltoestel kunnen er verschillende soorten geluiden ontstaan, die geen enkele invloed hebben op de correcte werking van de koelkast.

Geluiden die gemakkelijk verholpen kunnen worden:

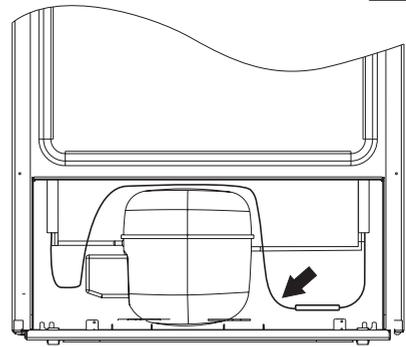
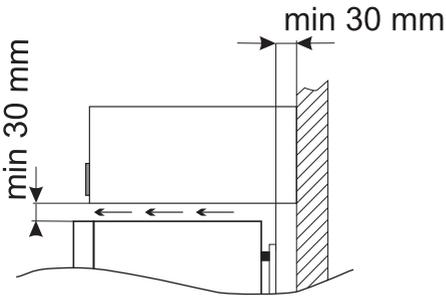
- Lawaai doordat de koelkast niet waterpas staat – regel de opstelling met behulp van de regelvoetjes vooraan. Leg eventueel zacht materiaal onder de wieltjes achteraan, in het bijzonder bij een tegelvloer.
- Wrijving tegen de aanpalende meubelen – verschuif de koelkast.
- Knarsen van schuiven of schappen – neem de schuif of het schap weg en plaats het daarna terug.
- Geluid van tegen elkaar stotende flessen – plaats de flessen uit elkaar.

Geluiden die hoorbaar zijn tijdens het normale gebruik van het toestel, worden veroorzaakt door de werking van de thermostaat, de compressor (aanslaan), het koelsysteem (krimpen en uitzetten van het materiaal onder invloed van temperatuurverschillen en doorstroom van koelvloeistof).



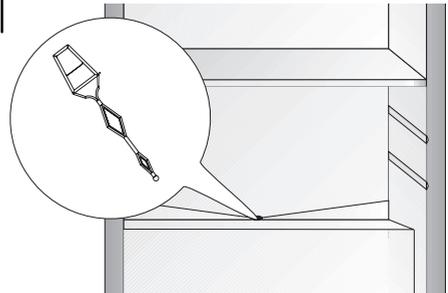
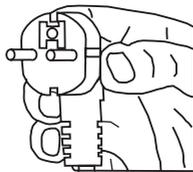
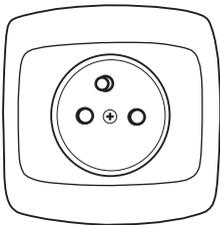


5



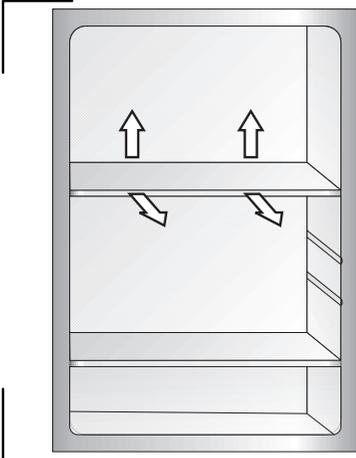
6

8

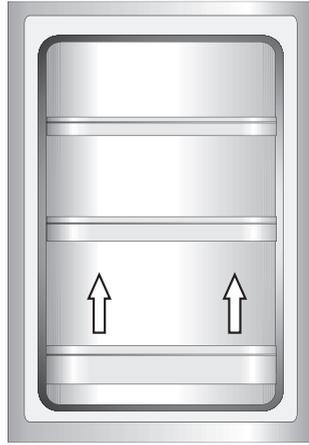


9

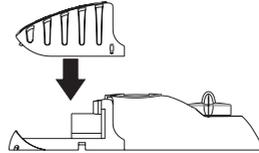
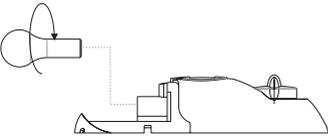
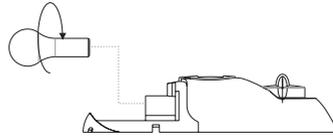
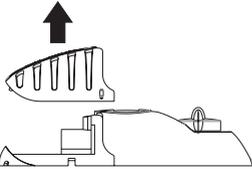
13



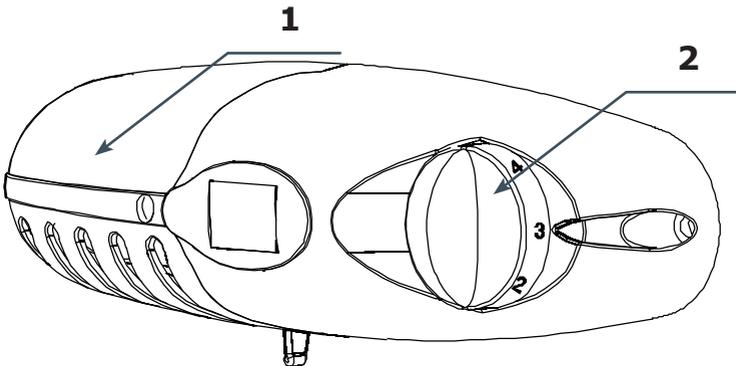
15



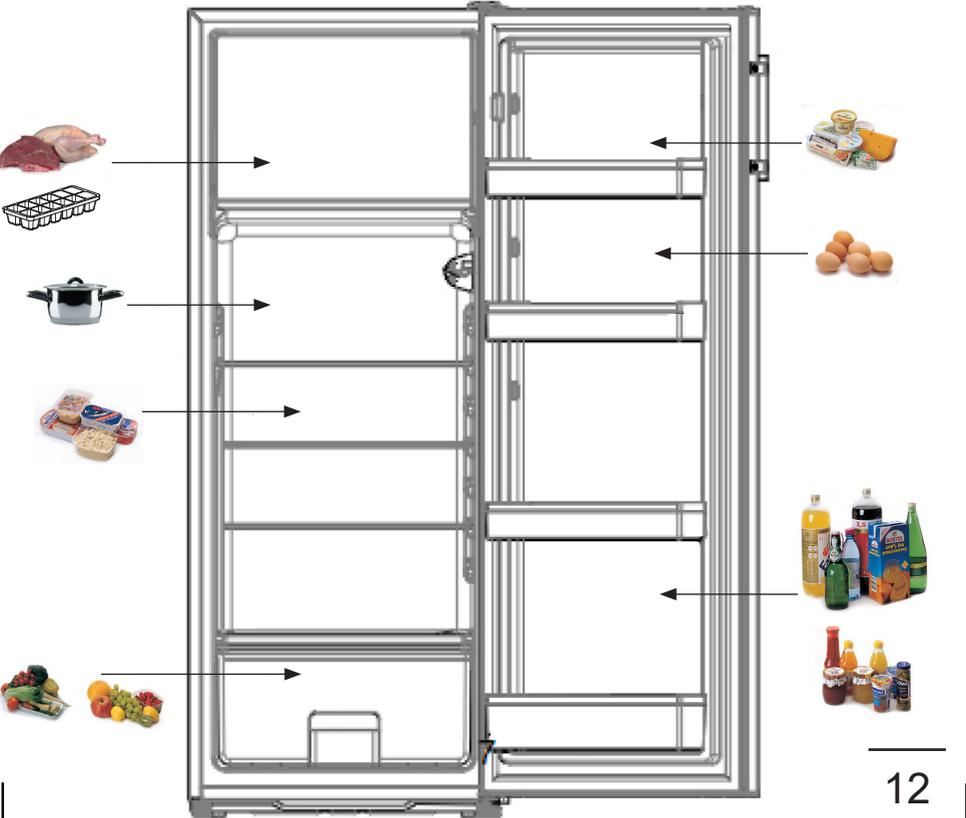
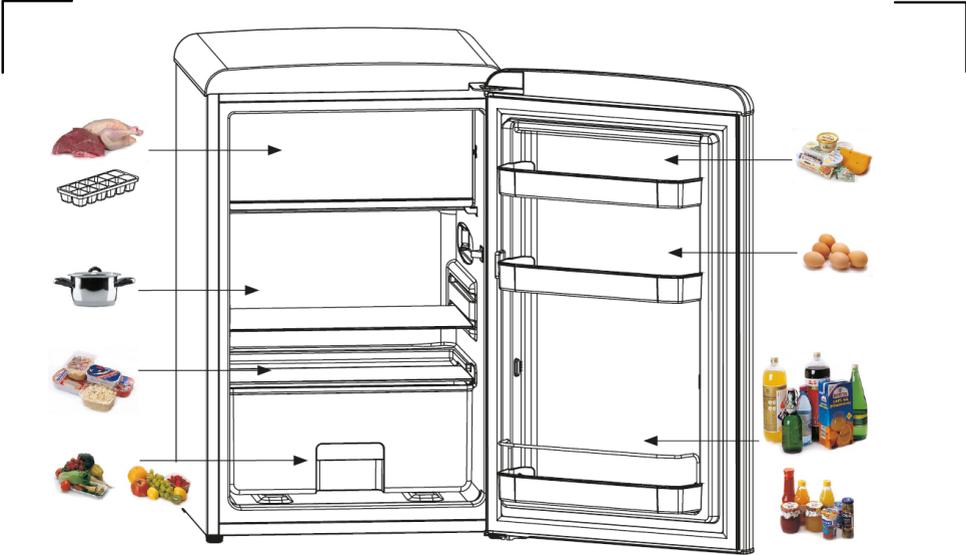
16

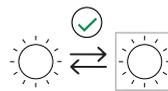
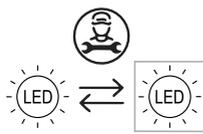
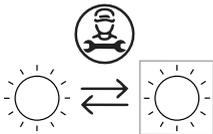


18

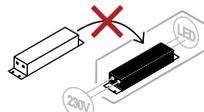
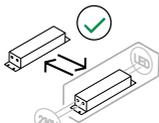
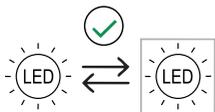


10





BG	Източник на светлина, сменяем от професионалист	BG	Източник на светлина (само LED), сменяем от професионалист	BG	Управляващо оборудване, сменяемо от професионалист	BG	Източник на светлина, сменяем от крайния потребител
CS	Světelný zdroj smí měnit pouze profesionál	CS	Světelný zdroj (pouze LED) smí měnit pouze profesionál	CS	Ridičí jednotku smí měnit pouze profesionál	CS	Světelný zdroj smí měnit konečný uživatel
DE	Lichtquelle durch Fachmann austauschbar	DE	Lichtquelle (Nur LEDs) durch Fachmann austauschbar	DE	Betriebsgerät durch Fachmann austauschbar	DE	Lichtquelle durch Endverbraucher austauschbar
DK	Udskiftelig lyskilde af en professionel	DK	Udskiftelig (kun LED) lyskilde af en professionel	DK	Udskiftelig transformator af en professionel	DK	Udskiftelig lyskilde af en slutbruger
EN	Replaceable light source by a professional	EN	Replaceable (LED only) light source by a professional	EN	Replaceable control gear by a professional	EN	Replaceable light source by an end-user
ES	Fuente de luz reemplazable por un profesional	ES	Fuente de luz (solo LED) reemplazable por un profesional	ES	Mecanismo de control reemplazable por un profesional	ES	Fuente de luz reemplazable por el usuario final
ET	Valgusallikat võib vahetada ainult professionaal	ET	Valgusallikat (ainult LED) võib vahetada ainult professionaal	ET	Juhtseadist võib vahetada ainult professionaal	ET	Valgusallikat võib vahetada lõppkasutaja
FI	Vaihdettava valonlähde ammattilaisen toimesta	FI	Vaihdettava (vain LED) valonlähde ammattilaisen toimesta	FI	Vaihdettava muuntaja ammattilaisen toimesta	FI	Loppukäyttäjän vaihdettava valonlähde
FR	Source de lumière à changer par un professionnel	FR	Source de lumière (seulement LED) à changer par un professionnel	FR	Equipement de commande à changer par un professionnel	FR	Source de lumière à changer par l'utilisateur final
HR	Izvor svjetlosti zamjenjiv od strane profesionalca	HR	Izvor svjetlosti (samo LED) zamjenjiv od strane profesionalca	HR	Upravljačka oprema zamjenjiva od strane profesionalca	HR	Izvor svjetlosti zamjenjiv od strane korisnika
HU	A fényforrás kizárólag szakember által cserélhető ki	HU	A fényforrás (csak LED) kizárólag szakember által cserélhető ki	HU	A vezérlőegységet kizárólag szakember cserélheti ki	HU	A végfelhasználó által cserélhető fényforrás
LT	Šviesos šaltinis keistinas profesionalo	LT	Šviesos šaltinis (tik LED) keistinas profesionalo	LT	Valdymo įranga keistina profesionalo	LT	Šviesos šaltinis keistinas galutinio naudotojo
LV	Gaismas avotu drīkst nomainīt kvalificēta persona	LV	Gaismas avotu (tikai LED) drīkst nomainīt kvalificēta persona	LV	Vadības mehānismu drīkst nomainīt kvalificēta persona	LV	Gaismas avotu drīkst nomainīt galalietotājs
NL	Lichtbron te vervangen door een vakman	NL	Lichtbron (alleen led) te vervangen door een vakman	NL	Bedieningsuitrusting te vervangen door een vakman	NL	Lichtbron te vervangen door de eindgebruiker
NO	Utskiftbar lyskilde av en autorisert fagmann	NO	Utskiftbar (kun LED) lyskilde av en autorisert fagmann	NO	Utskiftbar transformator av en autorisert fagmann	NO	Utskiftbar lyskilde av forbruker
PL	Zródło światła wymienne przez profesjonalistę	PL	Zródło światła (tylko LED) wymienne przez profesjonalistę	PL	Osprzet sterujący wymienny przez profesjonalistę	PL	Zródło światła wymienne przez użytkownika końcowego
PT	Fonte de luz substituível por um profissional	PT	Fonte de luz (apenas LED) substituível por um profissional	PT	Equipamento de controlo substituível por um profissional	PT	Fonte de luz substituível pelo usuário final
RO	Sursa de lumină înlocuibilă de către un profesionist	RO	Sursă de lumină înlocuibilă (doar LED) de către un profesionist	RO	Scule de control înlocuibile de către un profesionist	RO	Sursă de lumină înlocuibilă de către un utilizator final
SE	Utbytbar ljuskälla av en fackperson	SE	Utbytbar (endast LED) ljuskälla av en fackperson	SE	Utbytbar transformator av en fackperson	SE	Utbytbar ljuskälla av en slutanvändare
SK	Zdroj svetla vymeniteľný iba profesionálom	SK	Zdroj svetla (iba LED) vymeniteľný iba profesionálom	SK	Riadiaci modul vymeniteľný iba profesionálom	SK	Zdroj svetla vymeniteľný koncovým používateľom
SL	Svetlobni vir naj menja strokovnjak	SK	Zdroj svetla (iba LED) vymeniteľný iba profesionálom	SL	Krmilno napravo menja strokovnjak	SL	Svetlobni vir menja končni uporabnik
		SL	Svetlobni vir (samo LED) menja strokovnjak				



BG Източник на светлина (само LED), сменяем от крайния потребител	BG Управлящо оборудване, сменяемо от крайния потребител	BG Несменяем източник на светлина	BG Несменяемо управлящо оборудване
CS Světelný zdroj (pouze LED) smí měnit konečný uživatel	CS Řídicí jednotku smí měnit konečný uživatel	CS Nevyměnitelný zdroj světla	CS Nevyměnitelná řídicí jednotka
DE Lichtquelle (Nur LEDs) durch Endverbraucher austauschbar	DE Betriebsgerät durch Endverbraucher austauschbar	DE Lichtquelle nicht austauschbar	DE Betriebsgerät nicht austauschbar
DK Udkiftelig (kun LED) lyskilde af en slutbruger	DK Udkiftelig transformere af en slutbruger	DK Ikke udkiftelig lyskilde	DK Ikke udkiftelig transformere
EN Replaceable (LED only) light source by an end-user	EN Replaceable control gear by an end-user	EN Non-replaceable light source	EN Non-replaceable control gear
ES Fuente de luz (solo LED) reemplazable por el usuario final	ES Mecanismo de control reemplazable por el usuario final	ES Fuente de luz no reemplazable	ES Mecanismo de control no reemplazable
ET Valgusallikat (ainult LED) võib vahetada lõppkasutaja	ET Juhtseadet võib vahetada lõppkasutaja	ET Valgusallikas ei ole vahetatav	ET Juhtseade ei ole vahetatav
FI Loppukäyttäjän vaihdettava (vain LED) valonlähde	FI Loppukäyttäjän vaihdettava muuntaja	FI Ei vaihdettava valonlähde	FI Ei vaihdettava muuntaja
FR Source de lumière (seulement LED) à changer par l'utilisateur final	FR Equipement de commande à changer par l'utilisateur final	FR Source de lumière non échangeable	FR Equipement de commande non échangeable
HR Izvor svjetlosti (samo LED) zamjenjiv od strane korisnika	HR Upravljačka oprema zamjenjiva od strane korisnika	HR Izvor svjetlosti nezamjenjiv	HR Upravljačka oprema nezamjenjiva
HU A fényforrás (csak LED) a végfelhasználó által is cserélhető	HU A végfelhasználó által cserélhető vezérlőegység	HU A fényforrás nem cserélhető	HU Nem cserélhető vezérlőegység
LT Šviesos šaltinis (tik LED) keistinas galutinio naudotojo	LT Vadības mehānismu drīkst nomainīt galalietotājs	LT Nekeistinas šviesos šaltinis	LT Nekeistina vadymo įranga
LV Gaismas avotu (tikai LED) drīkst nomainīt galalietotājs	NL Bedieningsuitrusting te vervangen door de eindgebruiker	LV Vadības mehānismu drīkst nomainīt galalietotājs	LV Vadības mehānisms ir nomaināms
NL Lichtbron (alleen led) te vervangen door de eindgebruiker	NO Utskiftbar transformere av forbruker	NL Bedieningsuitrusting te vervangen door de eindgebruiker	NL Bedieningsuitrusting niet vervangbaar
NO Utskiftbar (kun LED) lyskilde av forbruker	PL Osprzęt sterujący wymienny przez użytkownika końcowego	NO Utskiftbar transformere av forbruker	NO Ikke utskiftbar transformator
PL Źródło światła (tylko LED) wymienne przez użytkownika końcowego	PT Equipamento de controlo substituível pelo usuário final	PL Źródło światła niewymienne	PL Niewymienialny osprzęt sterujący
PT Fonte de luz (apenas LED) substituível pelo usuário final	RO Scule de control înlocuibil de către un utilizator final	PT Fonte de luz insubstituível	PT Equipamento de controlo insubstituível
RO Sursă de lumină înlocuibilă (doar LED) de către un utilizator final	SE Utbytbar transformator av en slutanvändare	RO Sursă de lumină neînlocuibilă	RO Scule de control neînlocuibile
SE Utbytbar (endast LED) ljuskälla av en slutanvändare	SK Riadiaci modul vymeniteľný koncovým používateľom	SE Utbytbar transformator av en slutanvändare	SE EJ utbytbar ljuskälla transformator
SK Zdroj svetla (iba LED) vymeniteľný iba koncovým používateľom	SL Krmilno naprave menja končni uporabnik	SK Riadiaci modul vymeniteľný koncovým používateľom	SK Nevymeniteľný riadiaci modul
SL Svetlobni vir (samo LED) menja končni uporabnik		SL Krmilno naprave menja končni uporabnik	SL Krmilne naprave ni mogoče menjati

