

Manual Blender G21 Excellent





EN

Warranty

2+2 years extended warranty registration on blender.

Extended warranty registration is carried out by filling out application form on the following address:

www.g21-warranty.com

Extended warranty can be done within 2 months from purchasing the product.

Extended warranty does not cover mixing container.



EN**Thank you for purchasing our product.**

Please read this instruction manual before using the device to avoid unprofessional handling and the device could perform all of yours expectation.

Appliance parts

- | | | |
|----------------|-------------------------------|-----------------------|
| 1. Small lid | 9. Soups | 17. ON/OFF |
| 2. Big lid | 10. Ice/Cleaning | 18. Housing |
| 3. Jar | 11. Pulse | 19. Motor |
| 4. Blades | 12. + speed/time | 20. Ventilation vents |
| 5. LCD display | 13. - speed/time | 21. Rubber feet |
| 6. Smoothie | 14. Start/Stop | 22. Tamper |
| 7. Nuts | 15. User - Programme selector | 23. Spatula |
| 8. Nut milk | 16. Set - Confirming button | 24. Spanner |

Warning

1. Make sure that the appliance has not been damaged during transport.
2. Make sure you have all parts of the appliance.
 - 1x Instruction Manual
 - 1x Blender
 - Big lid, small lid, tamper, main body, jar (including blade and the retaining nut), spanner, spatula.
3. Place the appliance on a level stable surface. Do not tilt the appliance. Do not place the appliance near flammable materials.
4. Protect the appliance against direct sunlight and rain.
5. In order to prevent leakage of electricity, the appliance must be plugged into a properly grounded electrical socket.

Safety instructions

1. Before first use read the safety instructions.
2. Make sure the appliance is plugged in 220-240 V socket.
3. This appliance is not intended for use by persons (including children) with reduced physical, sensory or mental capabilities, or lack of experience and knowledge, unless they have been given supervision or instruction concerning use of the appliance by a person responsible for their safety.
4. DO NOT allow children to play with the appliance. Keep them at a safe distance from the appliance while operating.
5. Do not forget to install the lid for container before using. Thanks to Big lid's opening and pusher is possible to mix the ingredients inside the device. After the device is turned off, remove the container and use the spatula to remove all food residues.
6. When switching on the appliance, hold the lid to prevent its release.
7. During operation, do not remove the lid and do not put your hands into the jar.
8. Do not put any metal items like knives, forks, spoons, etc. into the JAR.
9. Do not leave the appliance run on empty for more than 2 minutes. It causes generation of high temperatures that may cause damage to the lubrication system of the appliance.
10. In case that blade drops out or breaks, immediately switch off the appliance. Then contact the authorized service center.
11. During cleaning or removing parts, do not forget to turn off power and unplug the appliance.
12. Do not immerse the main body into water. Do not wash the main body under running water directly in order to prevent electric shock.
13. Do not clean the blades with bare hands because they are very sharp. Use brush or a strong cloth.
14. If the appliance is overfilled, overflow protection automatically switches off the appliance. Reduce the amount of food inside the jar.
15. If the appliance does not work, pull it from the wall socket and wait until the temperature fall.
16. If the power cord is damaged, the replacement must always be carried by an authorized service center.

Control panel

LCD display

When plug in the device into power socket and turn on the device by pressing ON button, LCD display shows the speed no. 5 and time 20 sec and the device is in standby mode.

Control the device



ON/OFF

Press the button ON/OFF to turn on the blender, the blender will switch into stand-by mode. Press the button ON/OFF again to turn off the blender.



Pulse

Caution: The pulse function will be started at the highest speed. Make sure the container lid is mounted properly.

Note: There is a 2 sec safety lag when using PULSE button during the program.



Quick program

Press the button SET when the device is in standby mode and no. 5 will flash on the display. Press the button + or - to set the desired speed in range 1 to 10 (highest). Press the button SET again to set the mixing time, which can be adjusted by pressing + or - button. The Quick Program will be switched on after the pressing START button.



User program

Press the button USER when the device is in standby mode to switch to mode for manual (own) programmes.

There are 6 points A-F in the left column, you can save your own program under these points. Every program can save 6 steps, which are displayed under the numbers 1 – 6 in the right column.

After the transition to own program mode, the cursor is on the program A (the letter A flashes).

If you press button + and - you can switch between individual programmes.

You start programming of selected program when pressing button SET.

Step no. 1 will light up in the right part of the display. When pressing button SET again you will be switched to speed setting and you can set the speed of step.no 1 1 – H (10) when pressing button + and -. When pressing the button SET again you will be switched to time setting (min) and by pressing SET button again you will be switched to seconds setting.

Press the SET button again to complete the setting of the step no. 1 and step no.2 will start flash. Next pressing of SET button will switch you to speed setting.



You can set up to 6 steps by using this procedure.

If you want to finish the programming, press USER button.

Deleting the program:

Individual step or program can be deleted by holding the SET button for 3 seconds.

Preset programmes

When the blender is in standby mode, press the buttons 5 – 9 to switch to preset programmes – Smoothie, Nuts, Nut milk, Soups or Ice Crushing/Cleaning program.

Selected program will be switched on by pressing START button.



Smoothie Program:

This program will start mixing at middle speed no. 4 for 10 sec, then it mixing for 25 sec at the highest speed H. During the remaining 25 sec, it alternates speed 7 and H.

Total time of this program is 1 min.



Nuts Program:

This program accelerates for 4 sec to the highest speed and then mix at the highest speed until the end of the program.

Total time of this program is 1 min.



Nut Milk Program:

Within 10 sec this program slowly increases rpm to speed no. 5 and then to speed no. 8. After 22 sec it switches to the highest speed H and mixes until the end of the program.

Total time of this program is 3 min.



Soups Program:

This program accelerates to the max. rpm within 8 sec and then mix at the highest speed until the end of the program. During the cycle the program will heat up 1 liter of liquid from 24°C to 56°C.

Total time of this program is 3 min and 30 sec.



Ice Crushing/Cleaning Program:

The program alternates speed 5 and H.

Total time of this program is 40 sec.

Warning: Always switch on the blender from position "MIN".

Pulse Button: "ON" position overrides the appliance at the highest possible speed. After the switching off the Pulse button, the appliance reduces speed until it stops.

Operation

Before starting the appliance, check the following:

The jar is correctly attached to the base.

The lid on the container must be securely closed.

The speed button is in MIN speed position.

1. Plug the appliance into an electrical outlet.
2. Place the jar on the base.
3. Insert the food into the jar. Do not exceed the MAX marking on the jar.
4. When finished, switch the appliance off and wait until the appliance stops completely, then remove and empty jar.

Blending Tips

When inserting the food materials into the jar, please be aware of the order. First pour the liquid, add ice and finally food.

It is better to use a low speed and then increase the speed.

If the food materials are pushed toward the jar wall you set too high speed. You should reduce speed.

The appliance is equipped with protection against overheating to avoid damaging of the motor. After switching off wait till the appliance cool down completely, then turn on the appliance. If the appliance does not have enough cooling, the appliance does not start again, you have to let the appliance cool down for longer time.

Preparation

Fruit or Vegetable Juice

Cut fruits and vegetables into small pieces (3,5 cm) then put them into the jar. Add water and ice according to personal preference. Attach the big lid, small lid and turn on the appliance. Start at a low speed and turn to high speed. Blend until the juice is prepared according to your requirements.

Smoothie/Ice cream

First insert the ice, then add liquid and then add food.

You can replace water with milk, yoghurt or fruit juice.

If the food inside the jar cannot be blend, use tamper to stir the food inside.

When making fruit ice cream, peel the skin, remove seeds and put it into freezer to replace ice. Then blend fruits and place them in the freezer again.

Jams/Sauces

The appliance can produce jams and sauces.

When making jams/sauces, please cut the food into small pieces (2,5 cm), and put them into the jar. Then add water depending on food material and their quantity.

Time should be set for 15-150 seconds depending on the thickness of food.

When making sauces, you can add other liquids than water. (For example: milk, oil, wine, meat soup, orange juice, tomato juice, etc)

Soymilk

Cook soy beans and add them into the jar. Add boiling water.

Recommended ratio of water and beans is 5:1.

Run the motor at low speed, then switch to high speed.

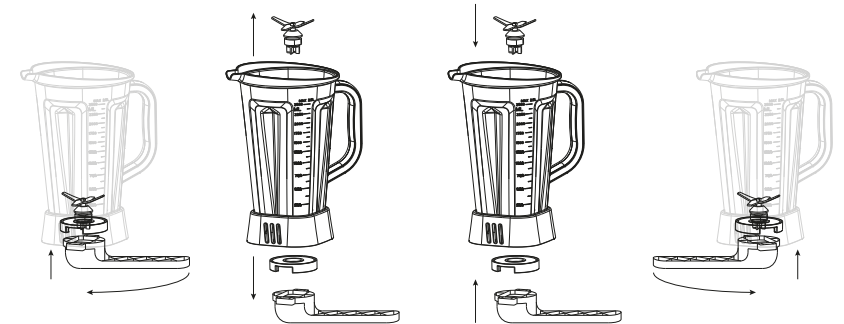


Nutrition tips

1. If you do not like bitter taste, you can add honey. Diabetics can add natural sweeteners.
2. Tomatoes and another vegetables or fruit have high nutrition values, that can prevent the cancer. They are for people who have arteries problems. Healthy raw materials losing their nutrition values during the heat treatment process, therefore it is better to process them in blender.
3. Papaya has a high amount of potassium and sugar. People with diabetes and kidney problems should be careful with its use.
4. Celery is excellent for reducing high blood pressure, cleans the blood and neutralizes the calcium content and acidity which is inside the human body. Celery also strengthens the immune system, prevents lung cancer, breast cancer and prostate cancer.
5. Carrot contains about 490 types of nutrients, particularly beta carotene, which strengthens immunity, helps the formation of cells, lowers cholesterol and reduces the liver values. Carrot contains calcium, potassium, vitamin B and vitamin C and helps reduce high blood pressure.
6. You can replace water with milk.
7. Since the blender has a high performance and speed, is suitable for fruits that are not resistant to long cooking and cooking is losing its nutritional value.

Cleaning and Maintenance

1. Before cleaning make sure that the appliance is switched to the OFF position and disconnect it from the electrical outlet.
2. Cleaning the JAR: fill the jar with water, press the pulse button for 10 seconds, then switch it off and rinse it with water.
3. Use sponge or cloth to wipe the jar and lid, dry them thoroughly to prevent odor or bacteria from growing.
4. DO NOT put hands into the JAR to clean the blades. Blades are very sharp and can cause injury.
5. Use dry cloth to wipe the base, do not wash the base under the running water and do not immerse it in water.
6. Any worn parts must be replaced with original parts. Never use a cheap refund.
7. If the appliance does not work, switch it off and contact authorized repair center.



Technical parameters:

Rated voltage: 220-240 V~

Frequency: 50 Hz

Power: 1 700 W

Max. speed: 32 000 RPM

Jar capacity: 2,5 l

RECIPES



Crop milk

Crop milk made of walnuts, cashews, hazelnuts, macadamia nuts, pine nuts or seeds- almonds, sunflower seeds, pumpkin seeds, hemp seeds.

Ingredients:

- 1 cap of nuts ideally soaked for 4-12 hours (milk can be prepared from various nuts- walnuts, cashew, hazelnuts, macadamia nuts, pine nuts or seeds- sunflower seeds, pumpkin seeds or hemp seeds).
- 1 teaspoon of honey or agave syrup, dates syrup, prunes syrup or coconut syrup (not necessary)
- 1 pinch of vanilla bean, cinnamon, half a teaspoon of vanilla extract or other favorite spices (not necessary)
- 1 tea spoon of RAW cocoa (for the preparation of RAW cocoa)
- 2-3 caps of water- if we want thick milk use less water and vice versa

Process:

All the ingredients put into the blender and mix until it is smooth. Then pour into the nylon stocking through a strainer or directly into the nut milk bag and squeeze out all the milk.

Nut milk can also be flavored with cinnamon, nutmeg or other favorite spices.

Nut milk can be kept in a closed bottle or container in a refrigerator for 2-4 days.

Nut milk can be flavored with raw cocoa powder.

Pureed pulp from the nuts can be used to mash or cocktails.

*The main reason for soaking is better digestibility of nuts.

Milk of the poppy

Ingredients:

For preparation approximately 1,2 liter of milk is necessary to use:

- 200 grams of poppy
- 2 litres of water

Process:

Poppy seeds soak for 2-3 hours in warm water, then blend poppy seeds in blender on high speed. Milk of the poppy strain through a fine strainer or cloth bag. If you want to get a finer structure of milk, repeat the process several times.

Almond-cinnamon smoothie with MACA

- 3 pieces of banana
- 3 dcl of coconut milk
- 4 spoons of chia- mix 2 spoons of chia seeds and 2 do not mix
- 1 teaspoon of cinnamon
- 1 spoon MACA powder

Smoothie: Green breakfast

- 3 pieces of banana
- 3 dcl of hazelnut milk
- 1 measuring glass - 21 grams - chocolate SUNWARRIOR BLEND (Vitalvibe)
- 1 teaspoon of barley
- 1 teaspoon of bee pollen
- 15 pieces of chlorella
- 2 spoons of chia seeds
- 4 leafs of lettuce

Chocolate-coconut smoothie with dates

- 3 pieces of banana
- 2 pieces of apple
- 2 spoons of coconut oil
- 8 pieces of chocolate beans
- 4 spoons of chia seeds
- 1 spoon of cocoa powder
- 4 pieces of dates
- 1 spoon of MACA
- 1 spoon of LUCUMA

RECIPES



Apple-parsley smoothie with Lucuma

- 5 pieces of apple
- 2dcl of water
- 100 grams of parsley
- 100 grams of lamb's lettuce
- 1 spoon of cinnamon
- 1 spoon of LUCUMA

Spinach smoothie

- 3 pieces of banana
- 400 grams of spinach

Chocolate pudding

- 2 pieces of riped avocados
 - 1 teaspoon of coconut oil
 - 1 teaspoon of cocoa powder
 - 2 spoons of tamarind syrup
- Serve on sliced apple or other fruit.

Garlic spread

- 2 pieces of riped avocados
- 3 cloves of garlic
- Juice of one lemon
- Himalayan salt
- Pepper
- Chives or any other fresh herbs

Strawberry smoothie with Maqui

- 1 cap of strawberries
- 2 spoons of chia seeds
- 50 grams of almonds
- 1 spoon of MAQUI
- 4 pieces of dates

Chia yoghurt:

- 3 dcl of coconut milk
- 4 spoons of chia seeds
- To make the taste better you can use for example palm or tamarind syrup, goji, mulberries, raw cocoa powder, cinnamon or several kinds of fruit.

Banana ice cream

- 3 pieces of banana
- To taste: cinnamon, raw cocoa beans, vanilla, agave syrup

Process:

Banana cut into slices and put into the freezer for 1-2 hours. After the freezing put bananas into a blender and add a little bit of water. Mix until you get creamy banana ice cream. If you want to get creamier texture of ice cream you can add cashew nuts and mix it together.

The recipes were developed in cooperation with www.centrumzdravibro.cz, unique and comprehensive measurement of the overall state of organism, consulting, health information and seminars, courses and RAW food school.

DE

GARANTIE

Registrierung verlängerter Garantie 2+2 Jahre für den Mixerkörper.

Die Registrierung verlängerter Garantie erfolgt durch die Ausfüllung des Formblatts unter:

www.g21-warranty.com

Registrieren Sie Ihre Garantieverlängerung innerhalb von 2 Monaten nach dem Kauf.

Die verlängerte Garantie bezieht sich nicht auf den Mixbehälter.

**DE**

Vielen Dank, dass Sie sich für unser Produkt entschieden haben.

Bitte lesen Sie dieses Handbuch, bevor Sie das Gerät verwenden, um unsachgemäße Handhabung zu vermeiden. Ihr Gerät wird dann all Ihren Erwartungen entsprechen.

Gerätestruktur



- | | | |
|-------------------|------------------------------|-------------------------|
| 1. Kleiner Deckel | 9. Suppen | 17. Ein / Aus |
| 2. Großer Deckel | 10. Eis / Reinigung | 18. Körper des Geräts |
| 3. Behälter | 11. Puls | 19. Motor |
| 4. Messer | 12. + Geschwindigkeit / Zeit | 20. Belüftungsöffnungen |
| 5. LCD-Anzeige | 13. - Geschwindigkeit / Zeit | 21. Gummifüße |
| 6. Smoothie | 14. Start / Stopp | 22. Stößel |
| 7. Nüsse | 15. Benutzerprogrammiertaste | 23. Spachtel |
| 8. Nussmilch | 16. Set-Bestätigungstaste | 24. Schlüssel |

Vorsicht

1. Stellen Sie sicher, dass das Gerät während des Transports nicht beschädigt wurde.
2. Achten Sie darauf, dass alle Teile des Geräts vorhanden sind.
 - 1x Bedienungsanleitung
 - 1x Mixer
 - Kleiner Deckel, Großerd, Stampfer, Gerätebasis, Behälter (einschließlich Messereinsatz und der Haltemutter), schraubenschlüssel, spatel.
3. Stellen Sie das Gerät auf eine ebene stabile Fläche. Das Gerät nicht kippen. Stellen Sie das Gerät nicht in die Nähe von brennbaren Materialien.
4. Schützen Sie das Gerät vor direkter Sonneneinstrahlung und Regen.
5. Um Leckströme zu verhindern, muss das Gerät an eine geerdete Steckdose angeschlossen werden.

Sicherheitshinweise

1. Vor der ersten Benutzung lesen Sie die Sicherheitshinweise.
2. Stellen Sie sicher, dass das Gerät an eine 220-240 V Steckdose angeschlossen ist.
3. Dieses Gerät ist nicht geeignet um von Personen (einschließlich Kindern) mit eingeschränkten physischen, sensorischen oder geistigen Fähigkeiten oder mangelnder Erfahrung und Wissen benutzt zu werden, es sei denn, eine angemessene Aufsicht oder ausführliche Anleitung zur Benutzung des Geräts durch eine verantwortliche Person ist sichergestellt.
4. Lassen Sie Kinder NICHT mit dem Gerät spielen. Halten Sie sie in einem sicheren Abstand vom Gerät während des Betriebs.
5. Vergessen Sie niemals, den Deckel auf dem Behälter anzubringen. Der Deckel hilft dem Stößel, Lebensmittel in der Maschine zu mischen. Nehmen Sie den Behälter nach dem Ausschalten der Maschine heraus und entfernen Sie Speisereste mit einem Spachtel.
6. Wenn das Gerät in Betrieb ist, halten Sie den Deckel fest um zu verhindern, dass er sich von alleine öffnet.
7. Während des Betriebs, den Deckel nicht entfernen und stecken Sie ihre Hände nicht in den Behälter.
8. Stecken Sie keine Metallgegenstände, wie Messer, Gabeln, Löffel usw. in den Behälter.
9. Lassen Sie das Gerät nicht für mehr als 2 Minuten im Leerlauf laufen. Dadurch können im Innern hohe Temperaturen entstehen, die wiederum zur Beschädigung des Schmiersystems des Gerätes führen können.
10. Im Falle, dass eine Klinge abfällt oder abbricht, sofort das Gerät ausschalten. Kontaktieren Sie danach eine Vertragswerkstatt.
11. Während der Reinigung oder beim Entfernen von Teilen, vergessen Sie nicht, den Strom auszuschalten und den Netzstecker zu ziehen.
12. Tauchen Sie Gerätebasis nicht ins Wasser. Waschen Sie die Basis nicht direkt unter fließendem Wasser, um Stromschläge zu vermeiden.
13. Reinigen Sie die Klingen nicht mit der bloßen Hand, da sie sehr scharf sind. Verwenden Sie dazu eine Bürste oder einen dicken Putzlappen.
14. Wenn das Gerät überfüllt ist, schaltet Überfüllsicherung das Gerät automatisch aus. Reduzieren Sie die Menge der Lebensmittel im Behälter.
15. Wenn das Gerät nicht funktioniert, ziehen Sie es aus der Steckdose und warten Sie, bis es abgekühlt ist.
16. Wenn das Netzkabel beschädigt ist, muss es von einer autorisierten Reparaturwerkstatt ausgetauscht werden.

Schalttafel

LCD Bildschirm

Wenn Sie das Gerät an eine Steckdose anschließen und die EIN-Taste drücken, zeigt das LCD-Display die Geschwindigkeit 5 und Zeit 20-Sekunden an und das Gerät befindet sich im Standby-Modus

Steuerung des Geräts



ON/OFF

Drücken Sie die Ein- / Aus-Taste, um den Mixer einzuschalten. Der Mixer wechselt in den Standby-Modus. Drücken Sie die Ein / Aus-Taste erneut, um das Mischpult auszuschalten.



Pulse / Puls

Achtung: Die Pulsfunktion startet mit der höchsten Geschwindigkeit. Stellen Sie daher sicher, dass der Gerätedeckel richtig angebracht ist.

Hinweis: Wenn Sie während des Programms die Taste PULSE drücken, berücksichtigen Sie die Sicherheitsverzögerung von 2 Sekunden.



Schnellprogramm

Wenn Sie im Standby-Modus die SET-Taste drücken, blinkt Nummer 5 auf dem Display. Stellen Sie mit den Tasten + und - die Geschwindigkeit zwischen 1 und H (10) ein. Drücken Sie die Set-Taste erneut, um die Mischzeiteinstellung aufzurufen, die mit den Tasten + und - eingestellt werden kann. Drücken Sie dann die Start-Taste, um das Schnellprogramm zu starten.



Anwenderprogramm

Durch Drücken der USER-Taste im Standby-Modus gelangen Sie in den manuellen (benutzerdefinierten) Modus.

In der linken Spalte befinden sich 6 A-F-Felder, unter denen Sie Ihr eigenes Programm speichern können. Für jedes Programm können bis zu sechs Schritte unter 1-6 in der rechten Spalte des Displays angezeigt werden.

Nach dem Aufrufen des benutzerdefinierten Programmiermodus befindet sich der Cursor auf Programm A (Buchstabe A blinkt).

Drücken Sie die Tasten + und -, um zwischen den Programmen zu wechseln.

Drücken Sie die SET-Taste, um das ausgewählte Programm zu programmieren.

Schritt 1 leuchtet auf der rechten Seite des Displays auf, drücken Sie die SET-Taste erneut, um zur Zeiteinstellung zu gelangen, und stellen Sie mit den Tasten + und - die Geschwindigkeit 1 bis H (10) des ersten Schritts ein. Drücken Sie die SET-Taste erneut, um die Einstellung der Mischzeit (min) einzugeben, und drücken Sie dann die SET-Taste erneut, um die Sekunden einzustellen.

Drücken Sie dann die SET-Taste, um die Einstellung von Schritt 1 abzuschließen, und die Nummer 2 blinkt. Drücken Sie die SET-Taste erneut, um zur Geschwindigkeitseinstellung zu gelangen.



Auf diese Weise können Sie bis zu 6 Schritte einstellen.

Drücken Sie die USER-Taste, um die Programmierung zu beenden.

Programm löschen:

Sie können einen einzelnen Schritt oder ein Programm löschen, indem Sie die SET-Taste 3 Sekunden lang gedrückt halten.

Voreingestellte Programme

Drücken Sie im Standby-Modus die Tasten 5-9, um zu den voreingestellten Programmen Smoothie, Nüsse, Nussmilch, Suppen oder Eis zerkleinern / Reinigungsprogramm zu gelangen.

Das ausgewählte Programm wird mit der Schaltfläche Start gestartet.



Smoothie-Programm:

Das Programm startet 10 Sekunden lang mit mittlerer Geschwindigkeit 4 mischen, dann mischt 25 Sekunden lang mit der höchsten Geschwindigkeit H, die restlichen 25 Sekunden wechseln sich zwischen 7 und H ab.

Gesamtprogrammdauer: 1 Minute.



Nüsse-Programm:

Das Programm beschleunigt 4 Sekunden lang auf die maximale Geschwindigkeit H, auf die es bis zum Ende des Programms mischt.

Gesamtprogrammdauer: 1 Minute.



Nussmilchprogramm:

Das Programm erhöht die Geschwindigkeit langsam in 10 Sekunden auf 5 und dann auf 8. Nach 22 Sekunden erreicht es die maximale Geschwindigkeit H, die es bis zum Ende des Programms mischt.

Gesamtprogrammdauer: 3 Minuten.



Suppen-Programm:

Das Programm beschleunigt innerhalb von 8 Sekunden auf die maximale Geschwindigkeit, mit der es bis zum Ende des Programms mischt.

Das Programm erwärmt 1 Liter Flüssigkeit während des Zyklus von 24° C auf 56° C.

Gesamtprogrammdauer: 3 Minuten und 30 Sekunden



Eiszerkleinerungs-/Reinigungs-Programm:

Programm wechselt Geschwindigkeit zwischen 5 und H.

Gesamtprogrammdauer: 40 Sekunden.

Hinweis: Schalten Sie das Gerät immer in der Position „MIN“ ein.

Die Puls Taste - ON überschreibt die Geschwindigkeitseinstellung und startet die Maschine mit der höchstmöglichen Geschwindigkeit. Wenn die Taste ausgeschaltet wird, verringert das Gerät die Geschwindigkeit, bis es sich vollständig ausschaltet.

Bedienung

Überprüfen Sie vor dem Einschalten folgendes:

Der Behälter ist richtig an der Basis befestigt.

Der Deckel muss den Behälter fest verschließen.

Der Drehzahlregler befindet sich bei niedriger Geschwindigkeit.

1. Schließen Sie das Gerät an eine Steckdose an.
2. Stellen Sie den Behälter auf die Basis.
3. Geben Sie die Lebensmittel in den Behälter. Beachten Sie dabei die MAX Markierung auf dem Behälter.
4. Wenn Sie fertig sind, schalten Sie das Gerät aus und warten Sie, bis das Gerät vollkommen anhält, entfernen und leeren Sie anschließend den Behälter.

Tipps zum Mixen

Beim Befüllen des Behälters mit Lebensmitteln, sollten Sie folgende Reihenfolge beachten. Zuerst gießen Sie Flüssigkeit in den Behälter und geben dann Eis und schließlich die Lebensmittel dazu.

Es ist besser, eine niedrige Geschwindigkeit zu verwenden und dann die Geschwindigkeit zu erhöhen.

Wenn die Lebensmittel stark an die Wand des Behälters geschoben werden, ist eine zu hohe Geschwindigkeit eingestellt. Sie sollten die Geschwindigkeit reduzieren.

Das Gerät ist mit einer Sicherung gegen Überhitzung ausgestattet, um eine Beschädigung des Motors zu verhindern.

Zubereitung

Frucht- oder Gemüsesaft

Schneiden Sie das Obst und/oder Gemüse in kleine Stücke (3,5 cm) und geben Sie sie in den Behälter. Geben dann je Ihren persönlichen Vorlieben Wasser oder Eis dazu. Verschließen Sie den Deckel und schalten das Gerät ein. Starten Sie bei einer niedrigen Geschwindigkeit und erhöhen dann nach Bedarf die Geschwindigkeit. Mixen Sie dann so lange bis der Saft Ihren Wünschen entspricht.

Smoothie/Eiscreme

Geben Sie zuerst das Eis in den Behälter und dann die Flüssigkeit oder Lebensmittel.

Sie können an Stelle von Wasser Milch, Joghurt oder Fruchtsaft verwenden.

Wenn sich die Lebensmittel im Behälter schlecht vermischen, verwenden Sie den Stampfer um die Lebensmittel im Behälter umzurühren.

Wenn Sie Fruchteis zubereiten möchten, dann schälen Sie die Früchte und entfernen mögliche Kerne und geben die Fruchtstücke in die Gefriertruhe, um das Eis zu ersetzen. Dann mixen Sie die Früchte und geben diese wieder in den Gefrierschrank zurück.

Konfitüre/Soßen

Das Gerät kann Konfitüren und Saucen herstellen.

Bei der Konfitüren/Saucen Herstellung, schneiden Sie bitte die Lebensmittel in kleine Stücke (2,5 cm), und geben diese in den Behälter. Geben Sie dann in Abhängigkeit von der Konsistenz und Menge der Lebensmittel Wasser dazu.

Die Mixdauer sollte etwa 15-150 Sekunden betragen, abhängig von der Dicke der Lebensmittel.

Bei Saucen, können Sie andere Flüssigkeiten als Wasser hinzufügen. (zum Beispiel: Milch, Öl, Wein, Fleischbrühe, Orangensaft, Tomatensaft, usw.)

Sojamilch

Kochen Sie Sojabohnen und geben Sie sie in den Behälter. Geben Sie kochendes Wasser hinzu.

Das empfohlene Verhältnis von Wasser und Bohnen ist 5:1.

Starten mit geringer Geschwindigkeit, dann auf hohe Geschwindigkeit umschalten.

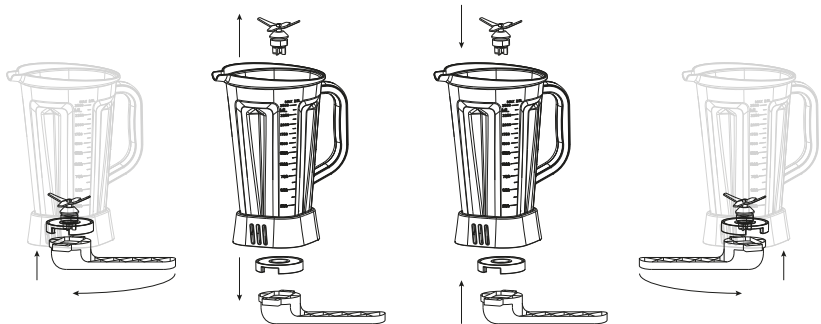


Ernährungstipps

1. Wenn Sie den bitteren Geschmack nicht mögen, können Sie Honig hinzufügen. Diabetiker können auch Süßstoffe verwenden.
2. Tomaten und anderes Gemüse oder Obst haben einen hohen Nährwert, der Krebs verhindern kann. Sie sind gut für Menschen, die Probleme mit Arterien haben. Gesunde Rohstoffe verlieren jedoch während der Wärmebehandlung ihren Nährwert, weshalb es besser ist, sie in einem Mixer zu verarbeiten.
3. Papaya enthält hohe Mengen an Kalium und Zucker. Menschen mit Diabetes und Nierenproblemen sollten deshalb vorsichtig bei der Verwendung der Papaya sein.
4. Sellerie eignet sich ausgezeichnet für die Verringerung von Bluthochdruck, es reinigt das Blut und neutralisiert den Calcium- und Säuregehalt im menschlichen Körper. Sellerie stärkt auch das Immunsystem, verhindert Lungenkrebs, Brustkrebs und Prostatakrebs.
5. Karotten enthalten etwa 490 Arten von Nährstoffen, vor allem das Beta-Carotin stärkt die Immunität, hilft bei der Bildung von Zellen, senkt das Cholesterin und reduziert die Leberwerte. Karotten enthalten dazu Kalzium, Kalium, Vitamin B und C und trägt zur Verringerung von Bluthochdruck bei.
6. Sie können an Stelle von Wasser Milch verwenden.
7. Da der Mixer über eine hohe Leistung und Geschwindigkeit verfügt, eignet er sich für Lebensmittel, die für langes Kochen ungeeignet sind oder die beim Kochen ihren Nährwert verlieren.

Reinigung und Pflege

1. Vor der Reinigung ist darauf zu achten, dass das Gerät in die Position OFF geschaltet ist und vom Stromnetz getrennt wurde.
2. Reinigung des Behälters: Füllen Sie den Behälter mit Wasser und drücken die Pulse-Taste für 10 Sekunden, dann schalten Sie das Gerät aus und spülen den Behälter mit Wasser aus.
3. Verwenden Sie einen Schwamm oder Tuch um den Behälter und Deckel abzuwischen, trocknen Sie sie anschließend gründlich ab, um Gerüche oder das Wachstum von Bakterien zu verhindern.
4. Versuchen Sie NICHT die Messerklingen im Behälter mit bloßen Händen zu reinigen. Die Messer sind sehr scharf und können Verletzungen verursachen.
5. Verwenden Sie ein trockenes Tuch, um die Basis abzuwischen, waschen Sie die Basis nicht unter fließendem Wasser und tauchen Sie sie nicht ins Wasser.
6. Alle verschlissenen Teile müssen durch original Teile ersetzt werden. Verwenden Sie niemals billigen Ersatz.
7. Wenn das Gerät nicht funktioniert, schalten Sie es aus und kontaktieren Sie eine Vertragswerkstatt.



Technische daten:

Nennspannung: 220-240 V~
Frequenz: 50 Hz
Leistung: 1 700 W
Max. Geschwindigkeit: 32 000 RPM
Behälter Kapazität: 2,5 l

Die deutsche Version der Anleitung ist eine genaue Übersetzung der Anleitung des Herstellers. Die in diesem Handbuch verwendeten Bilder dienen nur zur Illustration und können nicht genau das Produkt entsprechen.

REZEPTE



Nuss-Milch

Nuss-Milch besteht aus Walnüssen, Cashew-Kernen, Haselnüssen, Macadamia-Nüssen, Pinienkernen oder Samen, Mandeln, Sonnenblumenkernen, Kürbiskernen, Hanf Samen.

Zutaten:

- 1 Tasse Nüsse idealerweise für 4-12 Stunden eingeweicht (Milch kann aus verschiedenen Nüssen, Walnüssen, Cashew-Kernen, Haselnüssen, Macadamia-Nüssen, Pinienkernen oder Samen, Sonnenblumenkerne, Kürbiskernen oder Hanfsamen hergestellt werden.)
- 1 TL Honig oder Agavendicksaft, Dattel-, Pflaumen- oder Kokossirup (nicht notwendig)
- 1 Messerspitze Vanilleschote, Zimt, ein halber Teelöffel Vanille-Extrakt oder andere Lieblingsgewürze (nicht erforderlich)
- 1 Teelöffel Kakaopulver (hergestellt aus rohen Kakaobohnen)
- 2-3 Tassen Wasser - wenn wir wollen, Dickmilch und dafür weniger Wasser und umgekehrt

Zubereitung:

Alle Zutaten in den Mixer geben und mixen bis es glatt ist. Dann gießen Sie die Mischung in einen Nylonstrumpf, in ein feines Sieb oder direkt in einen Nussmilchbeutel und pressen die ganze Milch heraus.

Die Nuss-Milch kann auch mit Zimt, Muskat oder andere Lieblings-Gewürze aromatisiert werden.

Die Nuss-Milch kann in einer geschlossenen Flasche oder einem Behälter für 2-4 Tage im Kühlschrank aufbewahrt werden.

Die Nuss-Milch kann auch mit rohen Kakaopulver aromatisiert werden.

Pürierte und ausgepresste Nüsse können zum Mischen oder für Cocktails verwendet werden.

*Der Hauptgrund für das Einweichen ist die bessere Verdaulichkeit von Nüssen.

Mohn-Milch

Zutaten:

Für die Herstellung sind etwa 1,2 Liter Milch notwendig:

- 200 g Mohnsamen
- 2 l Wasser

Zubereitung:

Die Mohnsamen für 2-3 Stunden im warmen Wasser einweichen, dann werden die Mohnsamen bei hoher Geschwindigkeit gemixt. Die Mohnmilch durch ein feines Sieb oder Tuch auspressen. Wenn Sie eine feinere Struktur der Milch erhalten möchten, wiederholen Sie den Vorgang mehrmals hintereinander.

Smoothie: Grünes Frühstück

- 3 Bananen
- 30 ml Haselnussmilch
- 1 Messbecher - 21 g Schokolade Sunwarrior Blend (Vitalvibe)
- 1 TL Gerste
- 1 TL Bienenpollen
- 15 Stück Chlorella-Algen
- 2 EL Chia-Samen
- 4 Kopfsalatblätter

Schokolade-Kokos - Smoothie mit Datteln

- 3 Stück Bananen
- 2 Stück Apfel
- 2 EL Kokosöl
- 8 Stück Schokolinsen
- 4 EL Chia-Samen
- 1 EL Kakaopulver
- 4 Stück von Datteln
- 1 TL MACA
- 1 TL LUCUMA

Mandel-Zimt - Smoothie mit MACA

- 3 Bananen
- 30 ml Kokosmilch
- 4 EL Chia - 2 EL Chia-Samen zum mixen und 2 EL pur
- 1 TL Zimt
- 1 EL MACA Pulver

REZEPTE



Apfel-Petersilie - Smoothie mit Lucuma

- 5 Äpfel
- 20 ml Wasser
- 100 g Petersilie
- 100 g Feldsalat
- 1 TL Zimt
- 2 EL Chia-Samen
- 1 TL LUCUMA

Spinat Smoothie

- 3 Bananen
- 400 g Spinat

Schokoladenpudding

- 2 Stück geschälte Avocados
- 1 TL Kokosöl
- 1 TL Kakaopulver
- 2 EL Tamarindensirup

Auf geschnittenen Apfelscheiben oder anderen Früchten servieren

Knoblauch Würze

- 2 Stück geschälte Avocados
- 3 Knoblauchzehen
- Saft einer Zitrone
- Himalaya-Salz
- Pfeffer
- Schnittlauch oder andere frische Kräutern

Erdbeeren - Smoothie mit Maqui

- 1 kl. Schüssel Erdbeeren
- 2 TL Chia-Samen
- 50 g Mandeln
- 1 TL MAQUI
- 4 Stück Datteln

Chia Joghurt

- 30 ml Kokosmilch
- 4 EL Chia-Samen
- Um den Geschmack zu verbessern, können Sie zum Beispiel Palm- oder Tamarindensirup, Goji, Maulbeeren, Kakaopulver, Zimt oder mehrere Arten von Obst hinzugeben.

Bananen Eis

- 3 Stück Bananen

Je nach Geschmack: Zimt, rohe Kakaobohnen, Vanille, Agavendicksaft

Zubereitung:

Bananen in Stücke schneiden und in der Tiefkühltruhe für 1-2 Stunden einfrieren. Nach dem Einfrieren Bananen im Mixer mit ein wenig Wasser mixen. Mixen bis eine cremige Bananemasse entsteht. Wenn Sie eine cremigere Textur des Bananeneises erhalten möchten, können Sie Cashew-Kerne hinzufügen und zusammen mit den Bananen mixen.

GZ

ZÁRUKA

Registrace prodloužené záruky 2+2 roky na tělo mixéru.

Registrace prodloužené záruky se provádí vyplněním formuláře na adrese:

www.g21-warranty.com

Prodloužení záruky si zaregistrujte do 2 měsíců od zakoupení přístroje.

Prodloužená záruka se nevztahuje na mixovací nádobu.



Die Rezepte wurden in Zusammenarbeit mit www.centrumzdravibrno.cz, einem Zentrum für individuelle und umfassende Bestimmung des Gesamtzustands des Organismus, für Beratung, Gesundheitsinformationen und -seminare, -kurse und Rohkost Schule, entwickelt.

CZ

Děkujeme za nákup našeho výrobku.

Prosíme vás o přečtení tohoto návodu před použitím přístroje, vyhněte se tak neodborné manipulaci a přístroj bude moci plnit všechna vaše očekávání.

Popis produktu



- | | | |
|-------------------|--------------------------------|----------------------|
| 1. Malé víko | 9. Polévky | 17. On/off |
| 2. Velké víko | 10. Led/čištění | 18. Tělo přístroje |
| 3. Nádoba | 11. Pulse | 19. Motor |
| 4. Nože | 12. + Rychlost/čas | 20. Větrací průduchy |
| 5. LCD displej | 13. - Rychlost/čas | 21. Gumové nohy |
| 6. Smoothie | 14. Start/stop | 22. Pěchovadlo |
| 7. Ořechy | 15. User-programovací tlačítko | 23. Stěrka |
| 8. Ořechová mléka | 16. Set-potvrzovací tlačítko | 24. Klíč |

Upozornění

- Zkontrolujte, zda přístroj nebyl během transportu poškozen.
- Zkontrolujte, zda máte všechny části přístroje.
 - 1x manuál
 - 1x mixér
 - Malé víko, velké víko, pěchovadlo, tělo přístroje, nádoba (včetně nožů a přídržné matice), klíč, stěrka.
- Přístroj umístěte do rovny stabilní pozice, nikdy jej nenaklánějte. Neumísťujte přístroj do blízkosti hořavin.
- Přístroj chraňte před přímým slunečním zářením a deštěm.
- Aby nedošlo k úniku elektrické energie, musí být přístroj zapojen do řádně uzemněné elektrické zásuvky.

Bezpečnostní instrukce

- Před použitím přístroje si pečlivě přečtěte bezpečnostní instrukce.
- Ujistěte se, že je přístroj napájen v 220-240 V zásuvce.
- Tento spotřebič není určen pro používání osobami (včetně dětí) se sníženými fyzickými, smyslovými nebo duševními schopnostmi či nedostatkem zkušeností a znalostí, pokud jim nebyl poskytnut dohled nebo instrukce týkající se použití spotřebiče osobou zodpovědnou za jejich bezpečnost.
- Nikdy nenechávejte děti hrát si samotné s přístrojem a zajistěte, aby byly v dostatečné vzdálenosti, pokud je přístroj používán.
- Nikdy nezapomeňte instalovat víko na nádobu. Víko pomáhá pěchovadlu promíchat potraviny uvnitř přístroje. Poté, co se přístroj vypne, vyjměte nádobu a použijte stěrku pro vyjmutí zbytků potravin.
- Při zapnutí přístroje přidržujte víko, abyste zabránili jeho uvolnění.
- Během chodu přístroje nikdy nesundávejte víko a nesahejte do nádoby.
- Nikdy do přístroje nevkládejte předměty, jako jsou vidličky, lžice a podobně.
- Nikdy nenechávejte přístroj běžet naprázdno (bez tekutiny) déle než 2 minuty, chod bez potravin způsobuje generování vysoké teploty, která může nepříznivě ovlivnit mazací systém přístroje.
- V případě, že vypadne nebo se zlomí nůž, okamžitě přístroj vypněte. Poté kontaktujte odborný servis.
- Během čištění nebo odebírání částí přístroj vždy vypněte.
- Tělo přístroje neponořujte do vody, ani jej nemyjte přímo pod tekoucí vodou, aby nedošlo k úrazu elektrickým proudem.
- Nikdy nečistěte nože holýma rukama. Nože jsou velmi ostré. Použijte kartáč nebo silný hadřík.
- Pokud je přístroj přeplněn, pojistka proti přeplnění přístroj automaticky vypne. Prosím, zredukujte množství potravin uvnitř nádoby.
- Pokud přístroj špatně funguje, vytáhněte jej z elektrické zásuvky a počkejte, dokud teplota přístroje neklesne.
- Pokud je přívodní kabel poškozen, náhrada musí být vždy provedena odborným servisním centrem.

Ovládací panel

LCD obrazovka

Pokud přístroj zapojíte do elektrické zásuvky a zapnete tlačítkem ON, LCD displej zobrazuje rychlost číslo 5 a čas 20 vteřin a přístroj jev pohotovostním režimu.

Ovládání přístroje



ON/OFF

Stiskněte tlačítko On/Off pro zapnutí mixéru, mixér přejde do pohotovostního režimu. Opětovným stiskem tlačítka On/Off mixér vypnete.



Pulse / pulz

Pozor: pulzní funkce se spustí na nejvyšší rychlosti, proto se ujistěte, že je víko přístroje správně připevněno.

Pozn: Při použití tlačítka PULSE v průběhu programu počítejte s bezpečnostní prodlevou 2 vteřiny.



Quick program

V pohotovostním režimu stiskem tlačítka SET se na displeji rozbliká číslice 5, pomocí tlačítek + a - nastavíte rychlost v rozmezí 1 až H(10). Opětovným stiskem tlačítka set přejdete do nastavení času mixování, který můžete upravit tlačítky + a -. Následným stiskem tlačítka Start se Quick program spustí.



Uživatelský program

Stiskem tlačítka USER v pohotovostním režimu přejdete do režimu manuálních (vlastních) programů.

V levém sloupci je 6 polí A-F, pod která si můžete uložit vlastní program. Každý program může mít až šest kroků, zobrazených pod čísly 1-6 v pravém sloupci na displeji.

Po přechodu do režimu vlastních programů je kurzor na programu A (písmeno A blíká).

Stiskem tlačítek + a - se pohybujete mezi jednotlivými programy.

Stiskem tlačítka SET zahájíte programování vybraného programu.

Rozsvítí se krok 1 v pravé části displeje, opětovným stlačením tlačítka SET přejdete na nastavení rychlosti a tlačítky + a - nastavíte rychlost 1 až H (10) prvního kroku, dalším stiskem tlačítka SET přejdete do nastavení doby mixování (min) a dalším stiskem tlačítka SET na nastavení vteřin.

Následným stiskem tlačítka SET dokončíte nastavení kroku 1 a rozbliká se krok číslo 2. Opětovným stiskem tlačítka SET přejdete na nastavení rychlosti.



Takto můžete nastavit až 6 kroků.

Pokud chcete programování ukončit, stiskněte tlačítko USER.

Mazání programu:

Jednotlivý krok nebo program můžete smazat podržením tlačítka SET po dobu 3 vteřin.

Přednastavené programy

Z pohotovostního režimu stiskem tlačítek 5-9 přejdete na přednastavené programy Smoothie, ořechy, ořechová mléka polévky nebo drcení ledu/čističí program.

Zvolený program se spustí tlačítkem Start.



Program Smoothie:

Program začne mixovat na střední rychlost 4 po dobu 10 vteřin, poté mixuje 25 vteřin na nejvyšší rychlost H, zbylých 25 vteřin střídá rychlosti 7 a H.

Celkový čas programu 1 minuta.



Program ořechy:

Program po dobu 4 vteřin zrychluje na maximální rychlost H, na kterou mixuje do konce programu.

Celkový čas programu 1 minuta.



Program ořechová mléka:

Program během 10 vteřin pomalu zvyšuje otáčky na rychlost 5 a poté až na rychlost 8, po 22 vteřinách přejde na maximální rychlost H, po kterou mixuje až do konce programu.

Celkový čas programu 3 minuty.



Program polévky:

Program během 8 vteřin zrychluje na max. otáčky, na které mixuje do konce programu. Program během svého cyklu ohřeje 1 litr tekutiny z 24 °C na 56 °C.

Celkový čas programu 3 minuty a 30 vteřin



Program drcení ledu/čištění:

Program střídá rychlosti 5 a H.

Celkový čas programu 40 vteřin.

Upozornění: přístroj vždy zapínejte z pozice „MIN“.

Pulzní tlačítko - ON pozice přepíše nastavení rychlosti a rozběhne přístroj na nejvyšší možnou rychlost. Po vypnutí tlačítka přístroj sníží rychlost, až se zcela vypne.

Provoz

Před zapnutím přístroje zkontrolujte následující:

Nádoba je správně připojena k základně.

Víko na nádobě musí být v zajištěné poloze.

Tlačítko rychlosti je v „MIN“ pozici.

1. Zapojte přístroj do elektrické zásuvky.
2. Umístěte nádobu na základnu.
3. Vložte potraviny do nádoby (nikdy nepřesahujte označení MAX na nádobě).
4. Po dokončení vypněte přístroj a počkejte, dokud se přístroj kompletně nezastaví, poté odeberte nádobu a vyprázdněte ji.

Tipy na mixování

Při vkládání potravin dbejte na pořadí. Nejprve vlijte tekutiny, přidejte led a nakonec potraviny.

Je lepší použít nízkou rychlost při startu a poté rychlost zvyšovat.

Jsou-li potraviny během chodu tlačeny na stěny nádoby, nastavili jste příliš vysoké otáčky, rychlost byste měli snížit.

Přístroj je vybaven pojistkou proti přehřátí, aby se předešlo poškození motoru přístroje. Po vypnutí počkejte, než přístroj zcela vychladne, poté přístroj opětovně spusťte. Pokud přístroj nemá dostatečné chlazení, přístroj se znovu nezapne, musíte mu nechat delší dobu na vychladnutí.

Příprava

Příprava ovocného a zeleninového džusu

Zeleninu a ovoce nakrájejte na malé kousky (asi 3,5 cm), poté je vložte do nádoby. Přilijte vodu. Připojte velké víko, malé víko a uveďte přístroj do chodu. Začněte na nízké rychlosti a přejděte na rychlost vyšší. Mixujte do té doby, než je šťáva připravena dle Vašich požadavků.

Příprava smoothie/zmrzliny

Do nádoby vložte led, zalijte jej tekutinou a poté přidejte tuhé ingredience.

Vodu můžete nahradit mlékem, jogurtem nebo ovocným džusem.

Pokud se potraviny uvnitř nádoby nedaří rozmixovat, použijte pěchovadlo na promíchání potravin uvnitř.

Při výrobě ovocné zmrzliny nejprve oloupejte ovoce a odstraňte semínka, poté ovoce vložte do mrazáku, abyste nahradili led. Poté ovoce rozmixujte a opětovně vložte do mrazáku.

Výroba marmelád/omáček

Přístroj dokáže vyrobit marmelády a omáčky. Při výrobě marmelád/omáček nakrájejte potraviny na kousky silné asi 2,5 cm a vložte do nádoby. Poté přilijte vodu v závislosti na charakteru mixovaných surovin a jejich množství.

Čas by měl být nastaven asi na 15-150 vteřin v závislosti na tloušťce potravin.

Při výrobě omáček můžete přidat jinou ingredienci než vodu (například mléko, olej, víno, vývar, pomerančový džus, rajčatový džus a podobně,...)

Výroba sojového mléka

Uvařte sojové boby a poté je vložte do nádoby a přilijte horkou vodu.

Doporučený poměr voda:boby - 5:1

Spusťte motor na nízké rychlosti, poté přejděte na vysokou rychlost.

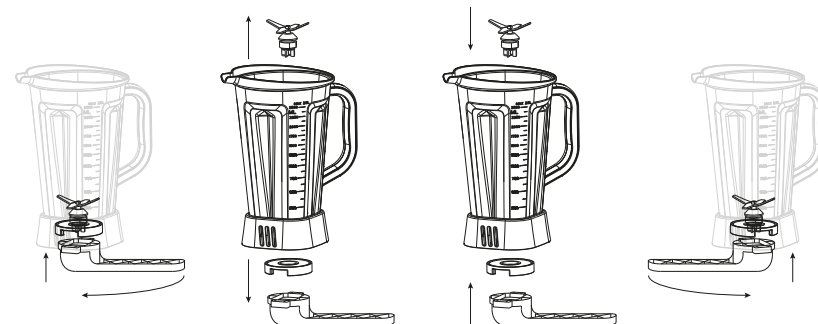


Rady

1. Pokud nemáte rádi hořkou chuť, můžete přidat med. Diabetici mohou přidat přírodní sladidla.
2. Rajčata i další zelenina či ovoce mají vysoké výživové hodnoty, které mohou předcházet rakovině. Jsou pro lidi, kteří mají problémy s tepny. Zdravé suroviny však při tepelné úpravě ztrácejí výživové hodnoty, proto je lepší je zpracovat v mixéru.
3. Papája má vysoké množství draslíku a cukru. Lidé s cukrovkou a problémy s ledvinami by měli být opatrní s jejím používáním.
4. Celer je výborný pro snížení vysokého krevního tlaku, čistí krev a neutralizuje obsah vápníku a kyselost, která je uvnitř lidského těla. Celer také posiluje imunitní systém, předchází rakovině plic, rakovině prsu a rakovině prostaty.
5. Mrkev obsahuje kolem 490 typů živin, zejména beta karoten, který posiluje imunitu, pomáhá utváření buněk, snižuje cholesterol a snižuje jaterní hodnoty. Mrkev obsahuje vápník, draslík vitamín B a C. Vitamin A pomáhá snižovat vysoký krevní tlak.
6. Místo vody můžete při mixování přidat mléko.
7. Jelikož má mixér vysoký výkon a otáčky, je vhodný pro ovoce, které není odolné vůči dlouhému vaření a vařením ztrácí výživové hodnoty.

Čištění a údržba

1. Před čištěním se ujistěte, že je přístroj vypnut do pozice OFF a vytáhněte jej z elektrické zásuvky.
2. Čištění nádoby: naplňte nádobu vodou, stiskněte na 10 s pulzní chod, poté jej vypněte a propláchněte vodou z kohoutku.
3. Použijte houbu nebo hadřík na vytření přístroje a víka do sucha, abyste zabránili vzniku zápa-
chu a bakterií.
4. Nikdy nevkládejte ruce do nádoby, abyste vyčistili nože. Nože jsou velmi ostré a mohlo by dojít ke zranění.
5. Použijte suchý hadřík, abyste vytřeli základnu přístroje, nikdy základnu nemyjte pod tekoucí vodou, ani ji do vody neponořujte.
6. Jakékoliv poničené části přístroje musí být nahrazeny originálními díly. Nikdy nepoužívejte levné náhrady.
7. Pokud přístroj špatně funguje, vypněte jej. Poté se obraťte na odborný servis.



Technické parametry:

Napětí: 220-240 V~

Frekvence: 50 Hz

Výkon: 1 700 W

Maximální otáčky: 32 000 RPM

Max. kapacita nádoby: 2,5 l

RECEPTY



Rostlinná mléka

Rostlinná mléka z kešu, mandlí, vlašských, lískových, makadamových nebo piniových oříšků, nebo slunečnicové, dyňové, konopné semínka atd.

Ingredience:

- 1 kávový hrníček ořechů, ideálně namočených na 4-12 hodin* (mléko jde udělat z jakýchkoliv ořechů -vlašských, kešu, lískových, makadamových, mandlí, piniových oříšků či semínek - slunečnicové, dyňové, konopné)
- 1 lžička medu nebo sirupu z agáve, datlí, švestek, kokosu (na doslazení, není podmínkou)
- 1 špetka vanilkových bobů, skořice, půl lžičky vanilkového extraktu nebo jakékoli oblíbené koření (na dochucení, není podmínkou)
- lžička RAW kakaového prášku (pro přípravu RAW kaka)
- 2-3 kávové hrníčky vody - pokud chceme mléko husté, použijeme méně vody a naopak

Postup:

Všechny ingredience dáme do mixéru a rozmixujeme do hladka. Poté přelijeme do silonové punčochy přes sítko, či přímo do vaku na oříškové mléko a vymačkáme veškeré mléko.

Oříškové mléko může být dále ochuceno skořicí, muškátovým oříškem či jiným oblíbeným kořením.

Oříškové mléko může být uchováno v uzavřené láhvi či nádobě v ledničce po dobu 2-4 dnů.

Oříšková mléka lze dochutit raw kakaovým práškem, díky čemuž získáte lahodné raw kakao.

Rozmixovanou vlákninu z ořechů je možné použít do kaší nebo koktejlů.

* důvodem namáčení je lepší stravitelnost ořechů a současně aktivace všech enzymů a informací, které jsou v ořechu jako životodárném semenu uloženy

Makové mléko

Ingredience:

Na výrobu cca. 1,2 litru makového mléka použijeme

- 200 g máku
- 2 litry vody

Postup:

Mák namočíme na 2-3 hodiny do vlažné vody, poté rozmixujeme v mixéru na nejvyšší otáčky. Vzniklé namixované makové mléko přecedíme přes jemné sítko, nebo plátěný sáček. Chceme-li dostat jemnější strukturu mléka, scezení opakujeme vícekrát.

Mandlovo-skořicové smoothie s Macou

- 3 ks banán
- 3 dcl mandlového mléka
- 4 lžice chia - 2 lžice rozmixovat a dvě lžice po umixování
- 1 kávová lžička skořice
- 1 lžice MACA prášek

Smoothie: Zelená snídaně

- 3 ks banán
- 3 dcl lískoořechového mléka
- 1 odměrka - 21 gramů - čokoládový SUNWARRIOR BLEND (Vitalvibe)
- 1 kávová lžička ječmene
- 1 kávová lžička včelího pylu
- 15 ks chlorella
- 2 lžice chia semínek
- 4 listy hlávkového salátu

Čokoládovo-kokosové smoothie s datlema

- 3 ks banán
- 2 ks jablko
- 2 lžice kokosového oleje
- 8 ks čokoládových bobů
- 4 lžice chia semínek
- 1 lžice kakaového prášku
- 4 ks datlí
- 1 lžice MACA
- 1 lžice LUCUMA

RECEPTY



Jablíčkově-petřelové smoothie s Lucumou

- 5 ks jablka
- 2 dcl osmotické harmonizované vody
- 100 gramů petržele
- 100 gramů polničku
- 1 polévková lžice skořice
- 2 polévkové lžice chia semínek
- 1 polévková lžice LUCUMA

Špenátové smoothie

- 3 ks banánu
- 400 gramů špenátu

Čokoládový pudink

- 2 ks zralého avokáda
- 1 polévková lžice kokosového tuku
- 1 polévková lžice kakaového prášku
- 2 polévkové lžice datlového sladidla (nebo dle chuti)

Servírujeme na rozkrojeném jablku nebo jiném ovoci

Česneková pomazánka

- 2 ks zralého avokáda
- 3 stroužky česneku
- šťáva z jednoho citrónu
- himalájská sůl
- pepř
- pažitka na dochucení či jiné čerstvé byliny

Jahodové smoothie s Maqui

- 1 hrnek jahod
- 2 polévkové lžice chia semínek
- 50 gramů mandlí
- 1 lžička MAQUI
- 4 ks datlí

Chia jogurt

- 3 dcl kokosového mléka
- 4 lžice chia semínek
- Na dochucení dle chuti palmový nebo datlový sirup, goji, moruše, kakaový raw prášek, skořice a jakékoli ovoce

Banánová zmrzlina

- 3 ks banánu

na dochucení: skořice, raw drcené kakaové boby, vanilka, agáve sirup

Postup:

Banány nakrájíme na kolečka a dáme zamrazit na 1-2 hodiny. Po zamrazení vložíme banány do mixéru a přidáme trošku vody. Mixujeme do doby, než dostaneme krémovou banánovou zmrzlinu a dle chuti dochutíme. Chceme-li dostat krémovější strukturu zmrzliny, přidáme kešu ořechy a zamixujeme.

Recepty byly připraveny ve spolupráci s www.centrumzdravibrno.cz: unikátní a komplexní měření celkového stavu organismu, poradenství, informace z oblasti zdraví a semináře, kurzy a školu RAW food.

SK

ZÁRUKA

Registrácia predĺženej záruky 2+2 roky na telo mixéra.

Registrácia predĺženej záruky sa uskutočňuje vyplnením formulára na adrese:

www.g21-warranty.com

Predĺženie záruky si zaregistrujete do 2 mesiacov od zakúpenia prístroja.

Predĺžená záruka sa nevzťahuje na nádobu.

**SK**

Ďakujeme za nákup nášho výrobku.

Prosíme vás o prečítanie tohto návodu pred použitím prístroja, vyhnete sa tak neodbornej manipulácii a prístroj bude môcť plniť všetky vaše očakávania.

Časti prístroja



1. Malé veko
2. Veľké veko
3. Nádobu
4. Nože
5. LCD displej
18. Telo prístroja
19. Motor
20. Vetracie prieduchy
21. Gumové nohy

9. Polievky
10. Jan / čistenie
11. Pulse
12. + Rýchlosť / čas
13. - Rýchlosť / čas
14. Štart / stop
15. User-programovacie tlačidlo
16. Set-potvrdzovacie tlačidlo

17. On / off
18. Telo prístroja
19. Motor
20. Vetracie prieduchy
21. Gumové nohy
22. Natláčacie viečko
23. Stierka
24. Kľúč

Upozornenie

1. Skontrolujte, či prístroj nebol počas expedície poškodený.
2. Skontrolujte, či máte všetky časti prístroja.
 - 1x manuál
 - 1x mixér
 - Veľké veko, malé viečko, vtláčadlo, hlavná časť prístroja, nádoba (vrátane nožov a pridrých matic), kľúč, stierka.
3. Prístroj umiestnite do rovnej stabilnej pozície, nikdy prístroj nenakláňajte. Neumiestnite prístroj do blízkosti horľavín.
4. Prístroj chráňte pred priamym slnečným žiarením a dažďom.
5. Aby nedošlo k úniku elektrickej energie, musí byť prístroj zapojený do správne uzemnenej elektrickej zásuvky.

Bezpečnostné inštrukcie

1. Pred použitím prístroja si pozorne prečítajte bezpečnostné inštrukcie.
2. Uistite sa, že je prístroj napojený do 220-240 V zásuvky.
3. Tento spotrebič nie je určený pre používanie osobami (vrátane detí) so zníženými fyzickými, zmyslovými alebo duševnými schopnosťami, alebo nedostatkom skúseností a znalostí, pokiaľ im nebol poskytnutý dohľad alebo inštrukcie týkajúce sa použitia spotrebiča osobou zodpovednou za ich bezpečnosť.
4. Nikdy nenechávajte deti, aby sa hrali s prístrojom a zaistite, aby boli v dostatočnej vzdialenosti, ak je prístroj používaný.
5. Nikdy nezabudnite inštalovať veko na nádobu. Veko pomáha natláčať premiešať potraviny vnútri prístroja. Potom, čo sa prístroj vypne, vyberte nádobu a použite stierku pre vybratie zvyškov potravín.
6. Pri zapnutí prístroja pridržiavajte veko, aby ste zabránili jeho odpadnutiu.
7. Počas chodu prístroja nikdy neskladajte veko a nesiahajte do vnútra nádoby.
8. Nikdy do prístroja nekladajte predmety, ako sú vidličky, lyžice a podobne.
9. Nikdy nenechávajte prístroj bežať na prázdno (bez tekutiny) dlhšie ako 2 minúty, chod bez potravín spôsobuje generovanie vysokej teploty, ktorá môže nepriaznivo ovplyvniť mazací systém prístroja.
10. V prípade, že vypadne nôž, alebo sa zlomí, okamžite prístroj vypnite. V tom prípade kontaktujte odborný servis.
11. Počas čistenia alebo odoberania častí prístroj vždy vypnite.
12. Hlavná časť prístroja neponárajte do vody, ani ju neumývajte priamo pod tečúcou vodou, aby nedošlo k úrazu elektrickým prúdom.
13. Nikdy nečistite nože holými rukami, pretože sú veľmi ostré. Použite kefu alebo silný handričku.
14. Ak je prístroj preplnený, poistka proti preplneniu prístroj automaticky vypne. Prosím, zredukujte množstvo potravín vo vnútornej nádobe.
15. Pokiaľ prístroj zle funguje, vytriahnite ho z elektrickej zásuvky a počkajte, kým teplota prístroja neklesne.
16. Ak je prírodný kábel poničený, náhrada musí byť vždy vykonaná odborným servisným centrom.

Ovládací panel

LCD obrazovka

Pokiaľ prístroj zapojíte do elektrickej zásuvky a zapnete tlačidlom ON, LCD displej zobrazuje rýchlosť číslo 5 a čas 20 sekúnd a prístroj je v pohotovostnom režime

Ovládanie prístroja



ON/OFF

Stlačte tlačidlo On / Off pre zapnutie mixéra, mixér prejde do pohotovostného režimu. Opätovným stlačením tlačidla On / Off mixér vypnete.



Pulse / pulz

Pozor: pulzná funkcia sa spustí na najvyššej rýchlosti, preto sa uistite, že je veko prístroja správne pripevnené.

Pozn: Pri použití tlačidla PULSE v priebehu programu počítajte s bezpečnostným oneskorením 2 sekundy.



Quick program

V pohotovostnom režime stlačením tlačidla SET sa na displeji rozblíka číslíca 5 pomocou tlačidiel + a - nastavíte rýchlosť v rozmedzí 1 až H (10) opätovným stlačením tlačidla set prejdete do nastavenia času mixovania, ktorý môžete upraviť tlačidlami +a - následným stlačením tlačidla Štart sa Quick program spustí.



Užívateľský program

Stlačením tlačidla USER v pohotovostnom režime prejdete do režimu manuálnych (Vlastných) programov.

V ľavom stĺpci je 6 polí A-F, pod ktoré si môžete uložiť vlastný program. každý program môže mať až šesť krokov, zobrazených pod číslami 1-6 v pravom stĺpci na displeji.

Po prechode do režimu vlastných programov je kurzor na programe A (písmeno A bliká).

Stlačením tlačidiel + a - sa pohybujete medzi jednotlivými programami.

Stlačením tlačidla SET zahájite programovanie vybraného programu.

Rozsvieti sa krok 1 v pravej časti displeja, opätovným stlačením tlačidla SET prejdete na nastavenie rýchlosti a tlačidlami + a - nastavíte rýchlosť 1 až H (10) prvého kroku, ďalším stlačením tlačidla SET prejdete do nastavenia doby mixovania (min) a ďalším

stlačením tlačidla SET na nastavenie sekúnd.

Následným stlačením tlačidla SET dokončíte nastavenie kroku 1 a rozblíka sa krok číslo 2. Opätovným stlačením tlačidla SET prejde na nastavenie rýchlosti.



Takto môžete nastaviť až 6 krokov.

Ak chcete programovanie ukončiť, stlačte tlačidlo USER.

Mazanie programu:

Jednotlivý krok alebo program môžete zmazať podržaním tlačidla SET po dobu 3 sekúnd.

Prednastavené programy

Z pohotovostného režimu stlačením tlačidiel 5-9 prejdete na prednastavené programy Smoothie, orechy, orechové mlieka, polievky alebo drvenie ľadu / čistiaci program.

Zvolený program sa spustí tlačidlom Štart.



Program Smoothie:

Program začne mixovať na strednú rýchlosť 4 po dobu 10 sekúnd, potom mixuje 25 sekúnd na najvyššiu rýchlosť H, zvyšných 25 sekúnd strieda rýchlosti 7 a H.

Celkový čas programu 1 minúta.



Program orechy:

Program po dobu 4 sekúnd zrýchľuje na maximálnu rýchlosť H, na ktorej mixuje do konca programu.

Celkový čas programu 1 minúta.



Program orechové mlieka:

Program počas 10 sekúnd pomaly zvyšuje otáčky na rýchlosť 5 a potom až na rýchlosť 8, po 22 sekundách prejde na maximálnu rýchlosť H, na ktorej mixuje až do konca programu.

Celkový čas programu 3 minúty



Program polievky:

Program počas 8 sekúnd zrýchľuje na max. otáčky, na ktorej mixuje do konca programu. Program počas svojho cyklu ohreje 1 liter tekutiny z 24 ° C na 56 ° C.

Celkový čas programu 3 minúty a 30 sekúnd



Program drvenie ľadu / čistenie:

Program strieda rýchlosti 5 a H.

Celkový čas programu 40 sekúnd.

Upozornenie: prístroj vždy zapínajte z pozície „MIN“.

Pulzné tlačidlo - ON pozícia prepíše nastavenie rýchlosti a rozbehne prístroj na najvyššiu možnú rýchlosť. Po vypnutí tlačidla prístroj zníži rýchlosť, až sa úplne vypne.

Prevádzka

Pred zapnutím prístroja skontrolujte nasledovné:

Nádoba je správne pripojená k základni.

Veko na nádobe musí byť v zajištenej polohe.

Tlačidlo rýchlosti je v „MIN“ pozíciu.

1. Zapojte prístroj do elektrickej zásuvky.
2. Umiestnite nádobu na základňu.
3. Vložte potraviny do nádoby (nikdy nepresahujte označenie MAX na nádobe).
4. Po dokončení vypnite prístroj a počkajte, kým sa prístroj kompletne nezastaví, potom odoberte nádobu a vyprázdňte ju.

Tipy na mixovanie

Pri vkladaní potravín dbajte na poradie. Najprv vlejte tekutiny, pridajte ľad a nakoniec potraviny.

Je lepšie použiť nízku rýchlosť pri štarte a potom rýchlosť zvyšovať.

Ak sú potraviny počas chodu tlačené na steny nádoby, nastavili ste príliš vysoké otáčky, rýchlosť by ste mali znížiť.

Prístroj je vybavený poistkou proti prehriatiu, aby sa predišlo zničeniu motora prístroja. Po vypnutí počkajte, než prístroj úplne vychladne, potom prístroj znovu spustíte. Ak prístroj nemá dostatočné chladenie, prístroj sa znova nezapne, musíte mu nechať dlhšiu dobu na vychladnutie.

Príprava

Príprava ovocného a zeleninového džúsu

Zeleninu a ovocie nakrájajte na malé kúsky (asi 3,5 cm), potom ich vložte do nádoby. Prilejte vodu. Pripojte malé viečko, veľké veko a uveďte prístroj do chodu. Začnite na nízkej rýchlosti a prejdite na rýchlosť vyššiu. Mixujte do tej doby, než je šťava pripravená podľa Vašich požiadaviek.

Príprava smoothie/zmrzliny

Najprv vložte ľad, potom prilejte tekutinu a nakoniec pridajte potraviny.

Vodu môžete nahradiť mliekom, jogurtom alebo ovocným džúsom.

Ak sa potraviny nedarí rozmixovať vo vnútri nádoby, použite vtláčadlo na premiešanie potravín vo vnútri.

Pri výrobe ovocnej zmrzliny najprv olúpte ovocie a odstráňte semienka, potom ovocie vložte do mrazničky, aby ste nahradili ľad. Potom ovocie rozmixujte a opätovne vložte do mrazničky.

Výroba marmelád/omáčok

Prístroj dokáže vyrobiť marmelády a omáčky. Pri výrobe marmelád/omáčok, nakrájajte potraviny na kúsky hrubé asi 2,5 cm a vložte do nádoby. Potom prilejte vodu v závislosti od charakteru mixovaných potravín a od ich množstva.

Čas by mal byť nastavený asi na 15-150 sekúnd v závislosti od hrúbky potravín.

Pri výrobe omáčok môžete pridať inú ingredienciu ako kvapalinu. (Napríklad mlieko, olej, víno, vývar, pomarančový džús, paradajkový džús a podobne, ...)

Výroba sójového mlieka

Uvarte sójové bôby a potom ich vložte do nádoby a prilejte vriacu vodu.

Odporúčaný pomer vody a bôb je 5:1.

Spustite motor na nízkej rýchlosti, potom prejdite na vysokú rýchlosť.

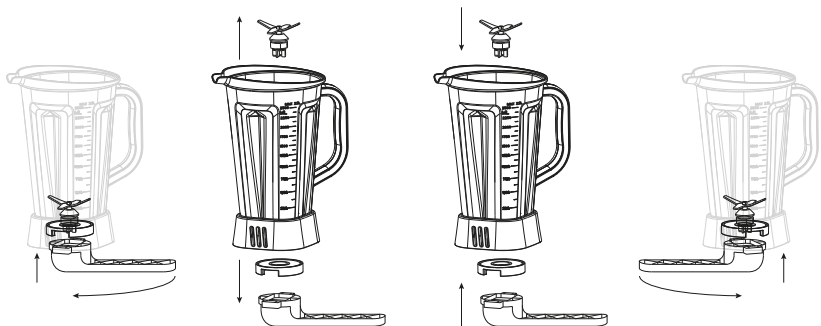


Rady

1. Ak nemáte radi horkú chuť, môžete pridať med. Diabetici môžu pridať prírodné sladidlá.
2. Paradajky aj ďalšia zelenina či ovocie majú vysoké výživové hodnoty, ktoré môžu predchádzať rakovine. Sú pre ľudí, ktorí majú problémy s tepnami. Zdravé suroviny však pri tepelnej úprave strácajú výživové hodnoty, preto je lepšie ich spracovať v mixéri.
3. Papája má vysoké množstvo draslíka a cukru. Ľudia s cukrovkou a problémami s obličkami by mali byť opatrní s jej používaním.
4. Zeler je výborný pre zníženie vysokého krvného tlaku, čistí krv a neutralizuje obsah vápnika a kyslostí, ktorá je vo vnútri ľudského tela. Zeler tiež posilňuje imunitný systém, predchádza rakovine pľúc, rakovine prsníka a rakovine prostaty.
5. Mrkva obsahuje okolo 490 typov živín, najmä beta karotén, ktorý posilňuje imunitu, pomáha utváraniu buniek, znižuje cholesterol a znižuje pečeňové hodnoty. Mrkva obsahuje vápnik, draslík vitamín B a C. Vitamín A pomáha znižovať vysoký krvný tlak.
6. Namiesto vody môžete pri mixovaní pridať mlieko.
7. Keďže má mixér vysoký výkon a otáčky, je vhodný pre ovocie, ktoré nie je odolné voči dlhému vareniu a varením stráca výživové hodnoty.

Čistenie a údržba

1. Pred čistením sa uistite, že je prístroj vypnutý do pozície OFF a vyťahnite ho z elektrickej zásuvky.
2. Čistenie nádoby: naplňte nádobu vodou, stlačte na 10 pulzný chod, potom ho vypnite a prepláchnite vodou z kohútika.
3. Použite špongiu alebo handričku na vytrenie prístroja a veka do sucha, aby ste zabránili vzniku zápachu a baktérií.
4. Nikdy nekladajte ruky do nádoby, aby ste vyčistili nože. Nože sú veľmi ostré a mohlo by dôjsť k zraneniu.
5. Použite suchú handričku, aby ste vytrelí základňu prístroja, nikdy základňu neumývajte pod tečúcou vodou, ani ju do vody neponárajte
6. Poničené časti prístroja musia byť nahradené originálnymi dielmi. Nikdy nepoužívajte lacné náhrady.
7. Ak prístroj zle funguje, vypnite ho. Potom sa obráťte na odborný servis.



Technické parametre:

Napätie: 220-240 V~

Frekvencia: 50 Hz

Výkon: 1 700 W

Maximálna rýchlosť: 32 000 RPM

Max. kapacita nádoby: 2,5 l

RECEPTY



Rastlinné mlieka

Rastlinné mlieka z vlašských, kešu, lieskových, makadamových či piniových oreškov alebo semienok - mandle, slnečnicové, tekvicové, konopné semienka atď.

Ingrediencie:

- 1 kávový hrnček orechov, ideálne namočených na 4-12 hodín* (mlieko sa dá vyrobiť z akýchkoľvek orechov - vlašských, kešu, lieskových, makadamových, mandlí, piniových oreškov alebo semienok - slnečnicové, tekvicové, konopné)
- 1 lyžička medu či sirupu z agáve, datlí, sliviek, kokosu (na dosladenie, nie je podmienkou)
- 1 štipka vanilkových bôbov, škorice, pol lyžičky vanilkového extraktu alebo akékoľvek obľúbené korenie (Na dochutenie, nie je podmienkou)
- 1 lyžička RAW kakaového prášku (na prípravu RAW kakaa)
- 2 - 3 kávové hrnčeky vody - ak chceme mlieko husté, použijeme menej vody a naopak

Postup:

Všetky ingrediencie dáme do mixéra a rozmixujeme do hladka. Potom prelejeme do silónovej pančušky, cez sitko či priamo do vaku na oreškové mlieko a vytlačíme všetko mlieko.

Oreškové mlieko môže byť ďalej ochutené škoricom, muškátovým oreškom či iným obľúbeným korením.

Oreškové mlieko môže byť uchované v uzavretej fľaši či nádobe v chladničke po dobu 2-4 dní.

Oreškové mlieka môžeme dochutiť raw kakaovým práškom vďaka čomu získame lahodné raw kakao.

Rozmixovanú vlákninu z orechov je možné použiť do kaší alebo kokteílů.

* Dôvodom namáčania je lepšia stráviteľnosť orechov a súčasne aktivácia všetkých enzýmov a informácií, ktoré sú v orechu ako životodarnom semene uložené.

Makové mlieko

Ingrediencie:

Na výrobu cca. 1,2 litra makového mlieka použijeme

- 200 g maku
- 2 litre vody

Postup:

Mak namočíme na 2-3 hodiny vo vlažnej vode, potom rozmixujeme v mixéri na najvyššie otáčky. Vzniknuté namixované makové mlieko precedíme cez jemné sitko, alebo plátenné vrecúško. Ak chceme dosiahnuť jemnejšiu štruktúru mlieka, cedenie opakujeme viackrát.

Mandľovo-škoricové smoothie s Macou

- 3 ks banánov
- 3 dcl mandľového mlieka
- 4 lyžice chia - 2 lyžice rozmixovať a dve lyžice po rozmixovaní
- 1 kávová lyžička škorice
- 1 lyžica MACA prášku

Smoothie: Zelené raňajky

- 3 ks banánov
- 3 dcl lieskovo-orechového mlieka
- 1 odmerka - 21 gramov - čokoládového SUN-WARRIOR BLEND (Vitalvibe)
- 1 kávová lyžička jačmeňa
- 1 kávová lyžička včelieho peľu
- 15 ks chlorelly
- 2 lyžice chia semienok
- 4 listy hlávkového šalátu

Čokoládovo-kokosové smoothie s datľami

- 3 ks banánov
- 2 ks jablák
- 2 lyžice kokosového oleja
- 8 ks čokoládových bôbov
- 4 lyžice chia semienok
- 1 lyžice kakaového prášku
- 4 ks datlí
- 1 lyžica MACA
- 1 lyžica LUCUMA

Slovenská verzia návodu je presným prekladom originálneho návodu výrobcu.

Fotografie použité v návode sú len ilustračné a nemusia sa presne zhodovať s výrobkom.

RECEPTY



Jablkovo-petržlenové smoothie s Lucumou

- 5 ks jablák
- 2 dcl osmotickej harmonizovanej vody
- 100 gramov petržlenu
- 100 gramov polníčka
- 1 polievková lyžica škorice
- 2 polievkové lyžice chia semienok
- 1 polievková lyžica LUCUMA

Špenátové smoothie

- 3 ks banánov
- 400 gramov špenátu

Čokoládový puding

- 2 ks zrelého avokáda
- 1 polievková lyžica kokosového tuku
- 1 polievková lyžice kakaového prášku
- 2 polievkové lyžice datľového sladidla (alebo podľa chuti)

Servirujeme na rozkrojenom jablku alebo inom ovocí

Cesnaková nátierka

- 2 ks zrelého avokáda
- 3 strúčiky cesnaku
- šťava z jedného citrónu
- himalájska soľ
- čierne korenie
- pažitka na dochutenie či iné čerstvé byliny

Jahodové smoothie s Maqui

- 1 hrček jahôd
- 2 polievkové lyžice chia semienok
- 50 gramov mandlí
- 1 lyžička MAQUI
- 4 ks datlí

Chia jogurt

- 3 dcl kokosového mlieka
- 4 lyžice chia semienok

Na dochutenie podľa chuti palmový alebo datľový sirup, goji, moruša, kakaový raw prášok, škorica a akékoľvek ovocie

Banánová zmrzlina

- 3 ks banánov

na dochutenie: škorica, raw drvené kakaové bôby, vanilka, agáve sirup

Postup:

Banány nakrájame na kolieska a dáme zamraziť na 1-2 hodiny. Po zamrazení vložíme banány do mixéra a pridáme trošku vody. Mixujeme do doby, kým dostaneme krémovú banánovú zmrzlinu a podľa chuti dochutíme. Ak chceme dosiahnuť krémovjšej štruktúru zmrzliny, pridáme kešu orechy a zamixujeme.

HU

GARANCIA

Regisztráció kiterjesztett garanciára 2+2 év a gép testére.

Regisztrációhoz a kiterjesztett garanciához töltse ki az űrlapot:

www.g21-warranty.com

A garancia meghosszabbítását regisztrálja a vásárlás után 2 hónapon belül.

A kiterjesztett garancia nem terjed az edényre.



Köszönjük, hogy megvásárolta termékünket.

Kérjük, olvassa el ezt a kézikönyvet a készülék használatát megelőzően, hogy elkerülje a szakszerűtlen kezelést, és a készülék megfeleljen minden elvárásnak.

A készülék részei



- | | | |
|----------------|----------------------------|-----------------------|
| 1. Kis fedő | 9. Levesek | 17. On/off |
| 2. Nagy fedő | 10. Led/tisztítás | 18. Készülék teste |
| 3. Tartály | 11. Pulse | 19. Motor |
| 4. Kécek | 12. + Gyorsaság/idő | 20. Szellőző nyílások |
| 5. LCD kijelző | 13. – Gyorsaság/idő | 21. Gumi lábak |
| 6. Smoothie | 14. Start/stop | 22. Préselőcső |
| 7. Diófajták | 15. User-programozási gomb | 23. Spatula |
| 8. Diótej | 16. Set-megerősítő gomb | 24. Kulcs |

Figyelmeztetés

- Ellenőrizze, hogy a készülék nem sérült meg a szállítás során.
- Győződjön meg róla, hogy a csomag az összes alkatrészt tartalmazza.
 - 1x használati utasítás
 - 1x turmixgép
 - Kis fedő, nagy fedő, betoló kar, a készülék teste, tartály (beleértve a késeket és rögzítőanyát), kulcs, spatula.
- Helyezze a készüléket vízszintes, stabil helyzetben van, a készülék nem ferdén. Ne helyezze a készüléket gyúlékony.
- Óvja a készüléket a közvetlen napfénytől és az esőtől.
- A szivárgás megakadályozása érdekében a villamos energia, a készüléket be kell dugni egy megfelelően földelt konnektorbba.

Biztonsági utasítások

- A készülék használata előtt figyelmesen olvassa el a biztonsági előírásokat.
- Győződjön meg arról, hogy a készülék egy 220-240 V aljzatba van bekapcsolva.
- A készülék használata nem alkalmas csökkent fizikai, érzékszervi vagy mentális képességű emberek (beleértve a gyermekeket is) számára, illetve kevés tapasztalattal vagy ismerettel rendelkezőknek, kivéve ha azok ismertette lettek egy értük felelős személy által a termék használatáról.
- Soha ne engedje, hogy gyerekek játszanak a készülékkel, használat közben pedig ne engedje őket a gép közelébe.
- Soha ne felejtse el a fedelet a tartályra szerelni. A fedél segíti az élelmiszerek összepréselését a gép belsejében. A gép kikapcsolása után szerelje le a tartályt, és egy spatulával távolítsa el az élelmiszermaradványokat.
- Bekapcsoláskor rögzítse a kezével a tartály fedelét, hogy az ne essen le.
- Működés közben ne távolítsa el a fedelet, és ne nyúljon a készülék belsejébe.
- Soha ne helyezzen a készülékbe olyan tárgyat, mint például villa, kés, kanál...
- Soha ne működtesse a gépet üresen 2 percnél tovább. A működés élelmiszer nélkül túlmelegedéshez vezethet, ami pedig károsítja a kenési rendszert.
- Ha a kés kiesne vagy eltörne, azonnal kapcsolja ki a készüléket. Ezután lépjen kapcsolatba a hivatalos szervizzel.
- Tisztítás vagy szétszerelés előtt mindig kapcsolja ki a készüléket.
- A készüléket és részeit soha ne mossa folyó víz alatt, hogy elkerülje az áramütést.
- A késeket ne tisztítsa pusztá kézzel, mert nagyon élesek. Használjon inkább kefért vagy egy rongyot.
- Ha a készülék túlterhelt, a biztosíték automatikusan kikapcsolja. Ilyenkor kérjük, csökkentse az étel mennyiségét a tartályban.
- Ha a készülék nem megfelelően működik, húzza ki a konnektorból, és várja meg, amíg a készülék hőmérséklete csökken.
- Ha a hálózati kábel sérült, ki kell cserélni, melyet csak szakember végezhet el.

Vezérlőpult

LCD-kijelző

Ha a készüléket elektromos aljzatba csatlakoztatja és megnyomja az ON gombot, az LCD-kijelzőn megjelenik az 5. számú sebesség és a 20 másodperc idő, ilyenkor a készülék készenléti állapotban van.

Készülék vezérlése



ON/OFF

nyomja meg az On/Off gombot a mixer bekapcsolásához, a mixer készenléti üzemmódba lép. A keverő kikapcsolásához nyomja meg újra az On/Off gombot.



Pulse / pulzus

Figyelem: a pulzusfunkció a legnagyobb sebességen indul, ezért győződjön meg arról, hogy a készülék fedele megfelelően van-e csatlakoztatva a mixerre.

Megjegyzés: a PULSE gombot használatánál számítson 2 másodperces biztonsági késleltetéssel.



Quick program

Készenléti állapotban a SET gomb megnyomásával a kijelzőn a 5 szám fog megjelenni és a + és - gombok segítségével beállíthatja a kívánt segítséget 1 és H(10) közötti tartományba a set gomb ismételt megnyomásával a mixelési idő beállításához jut, amelyet a + és - gombokkal szabályozhatja, majd a Start gomb megnyomásával elindul a Quick program.



Felhasználói program

A USER gomb megnyomásával készenléti üzemmódban a manuális (egyéni) beállítások üzemmódba lép.

A bal oldali oszlopban 6 A-F mező található, amelyek alatt saját programjait mentheti. Minden programnak legfeljebb hat lépése lehet, amelyek a kijelző jobb oldali oszlopában az 1-6 számok alatt vannak feltüntetve.

Az egyéni programmódba való belépés után a kurzor az A programon van (az A betű villog).

Nyomja meg a + és - gombokat a programok közötti váltáshoz.

Nyomja meg a SET gombot a kiválasztott program programozásának megkezdéséhez.

Az 1. lépés világít ki a kijelző jobb oldalán, nyomja meg ismét a SET gombot az időbeállításához, és a + és - gombok segítségével állítsa be az első lépés sebességét 1-től H(10)-ig, a SET gomb ismételt megnyomásával a mixelési idő beállításához jut (min), majd SET gomb megnyomásával beállíthatja a másodperceket.

Ezután nyomja meg a SET gombot az 1. lépés beállításának befejezéséhez, és a 2. számú lépés fog megjelenni a kijelzőn és a SET gomb megnyomásával ismét a gyorsaság beállításához jut.



Így akár 6 lépést is beállíthat.

A programozás befejezéséhez nyomja meg a USER gombot.

Program törlése:

A SET gombot 3 másodpercig lenyomva tartva egyetlen lépést vagy programot törölhet.

Előre beállított programok

Készenléti üzemmódban nyomjon meg egy gombot 5-9 között a Smoothie, diófajták, diótej, leves vagy jégtörés/tisztítás előre beállított program kiválasztásához.

A kiválasztott program a Start gombbal indul el.



Smoothie program:

A program 10 másodpercig 4-es közepes sebességgel elkezdi keverni, majd 25 másodpercig keveredik a maximális sebességen - H, a fennmaradó 25 másodperc a 7 és H értékek között vált.

Teljes programidő 1 perc.



Diófajták program:

A program 4 másodpercig gyorsul a maximális H sebességre, amelyet a program végéig használ.

Teljes programidő 1 perc.



Diótej program

A program 10 másodpercen belül, lassan, eléri az 5. sebességet, majd utána a 8. sebességet és 22 másodpercen belül átvált a legmagasabb H sebességre, amelyet a program végéig használ.

Teljes programidő 3 perc.



Leves program

A program 8 másodpercen belül gyorsul a legmagasabb fordulatra, amelyet a program végéig használ. A program a ciklus alatt felmelegít 1 liter vizet 24°C-ról 56°C-ra.

Teljes programidő 3 perc és 30 másodperc.



Jégtörés/tisztítás program

A program az 5. és H. sebesség között váltakozik.

Teljes programidő 40 másodperc.

Megjegyzés: a készüléket mindig a „MIN” pozícióból kapcsolja be.

Pulzus gomb - az ON pozíció felülbírálja a sebesség beállítását, és a lehető leggyorsabban indítja el a készüléket. Ha a gombot kikapcsolja, a készülék csökkenti a sebességet, amíg teljesen ki nem kapcsol.

Működtetés

Bekapcsolás előtt ellenőrizze a következőket:

A tartály megfelelően rögzült a testhez.

A fedélnek zárt helyzetben kell lennie.

A kapcsoló „MIN” pozícióban van.

1. Csatlakoztassa a készüléket egy konnektorba.
2. Helyezze a tartályt a testre.
3. Tegye az ételt a tartályba (Soha ne lépje túl a MAX jelzést a tartályon).
4. Ha elkészült, kapcsolja ki a készüléket, és várja meg, amíg a készülék teljesen leáll, majd vegye ki a tartályt, és ürítse ki.

Tippek

Az élelmiszer berakásakor ügyeljen a sorrendre. Először öntse bele a folyadékot, aztán a jeget és végül az élelmiszert.

Ajánlott alacsony sebességen kezdeni, majd azt fokozatosan növelni.

Ha az élelmiszer feltapad a tartály oldalára, túl nagy fordulatszámot választott. Ilyenkor csak csökkentse a sebességet.

A készülék egy biztonsági kapcsolóval van ellátva, mely megakadályozza a készülék túlmelegedését, és ezáltal a motor meghibásodását. Ha a készülék leáll, várja meg, míg teljesen kihűlik, majd indítsa újra. Ha a készülék nem hűlt le egészen, ne kapcsol be újra, hagyja tovább hűlni.

Elkészítés

Gyümölcs-és zöldséglé elkészítése

Vágja fel a zöldséget és a gyümölcsöt apró darabokra (3,5 cm), majd tegye a tartályba. Öntön hozzá vizet. Tegye rá és rögzítse a fedelet, majd kapcsolja be a készüléket. Kezdje alacsony fordulaton, és fokozatosan növelje a sebességet. Turmixolja, amíg a lé elkészül az Ön igényei szerint.

Smoothie/jégkrém elkészítése

Először tegye bele a jeget, majd a folyadékot és végül az élelmiszert.

A vizet helyettesítheti tejjel, joghurttal vagy gyümölcslével.

Ha nem sikerül az élelmiszert szétturmixolni, használja a betoló kart.

Fagyalt készítésekor hámozza meg a gyümölcsöt és távolítsa el a magokat. Hogy a jeget helyettesítse, rakja a gyümölcsöt a fagyasztóba. Miután szétturmixolta a gyümölcsöt újra helyezze a fagyasztóba.

Lekvár/öntet elkészítése

A készülék képes lekvárok és öntetek elkészítésére. Ezek elkészítésekor vágja az élelmiszert kb 2,5 cm vastag darabokra, és tegye a tartályba. Ezután öntsön bele vizet az élelmiszer típusától és a mennyiségétől függően.

Az időt 15-150 másodpercre kell beállítani, az élelmiszer vastagságától függően.

Az öntetek esetében a vízen kívül hozzá lehet adni még más folyadékot is. (például tej, olaj, bor, húsleves, narancslé, paradicsomlé, stb.)

Szójatej elkészítése

Főzze meg a szójababot, rakja őket a tartályba, majd öntsön rá forró vizet.

Az ajánlott víz-bab arány 5:1.

Indítsa el a motort alacsony sebességen, majd fokozatosan növelje a sebességet.

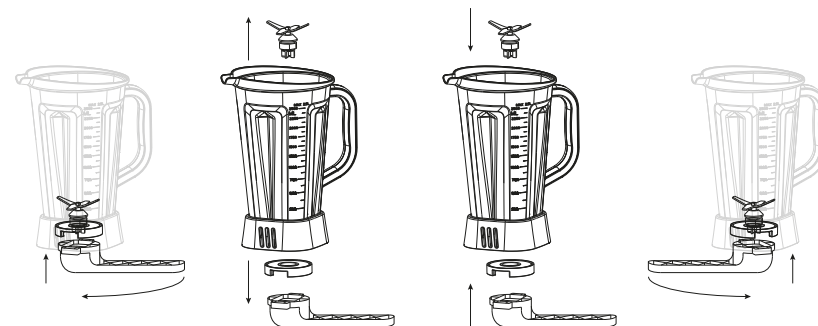


Tanácsok

1. Ha nem tetszik a keserűbb íz, akkor adjon hozzá mézet. Cukorbetegnek használhatnak természetes édesítőszeret.
2. A paradicsom és más zöldségek vagy gyümölcsök magas tápértékekkel rendelkeznek, amelyek segítik megakadályozni a rákot. Azoknak az embereknek ajánlottak, akiknek problémái vannak az artériákkal. Az egészséges nyersanyagok azonban a hőkezelés során elveszítik táplálkozási értéküket, ezért jobb, ha mixerben vannak feldolgozva.
3. A papaya nagy mennyiségű káliumot és cukrot tartalmaz. A cukorbetegeknek és a veseproblémákkal küszködőknek csak mértékkel ajánlott a fogyasztása.
4. A zeller kiválóan csökkenti a magas vérnyomást, tisztítja a vért, semlegesíti a savasságot és a magas kalciumszintet az emberi testben. A zeller is erősíti az immunrendszert, megakadályozza tüdőrák, emlőrák és prosztatarák kialakulását.
5. A sárgarépa körülbelül 490 féle tápanyagot tartalmaz, különösen a béta-karotint, amely erősíti az immunrendszert, segíti az új sejtek kialakulását, csökkenti a koleszterinszintet és csökkenti a máj értékeket. A sárgarépa tartalmaz kalciumot, káliumot, B-vitamint és C-vitamint, ami segít a vérnyomás csökkentésében.
6. Vízzel helyett hozzáadhat tejet is.
7. Mivel a mixer magas teljesítményen és sebességgel dolgozik, alkalmas olyan gyümölcsök feldolgozására, amelyeket a hosszú főzési és sütési idővel elveszítik a tápértéküket.

Tisztítás és karbantartás

1. A tisztítás előtt győződjön meg róla, a készülék ki van kapcsolva OFF állásban, és húzza ki a konnektorból.
2. A tartály tisztítása: Töltse meg a tartályt vízzel, nyomja meg 10 másodpercre a pulzáló gombot, majd kapcsolja ki és öblítse le csapvízzel.
3. Szivaccsal vagy ronggyal törölje szárazra a tartályt, mellyel megakadályozza, hogy penész vagy baktériumok keletkezzenek benne.
4. Soha ne nyúljon be a tartályba, amikor tisztítja. A pengék nagyon élesek, és sérülést okozhatnak.
5. Száraz ruhával törölgesse le a készülék testét. Ezt soha ne merítse vízbe és ne tegye folyó víz alá sem.
6. Minden sérült alkatrészt a készüléken eredeti alkatrészekkel kell kicserélni. Soha ne használjon olcsó helyettesítőt.
7. Ha a készülék hibásan működik, kapcsolja ki. Ezután lépjen kapcsolatba a márkaszervizzel.



Műszaki adatok:

Névleges feszültség: 220-240 V~

Névleges feszültség: 50 Hz

Teljesítmény: 1 700 W

Max. fordulatszám: 32 000 RPM

Tartályűrtartalom: 2,5 l

A magyar használati utasítás a gyártótól kapott verzió pontos fordítása.

A kézikönyvben használt fényképek csak illusztrációk, nem egyeznek meg pontosan a termékkel.

RECEPTEK



Növényi tej

Növényi tej dióból, kesudióból, mogyoróból, makadámidióból vagy fenyőmagból, magvakból, mandulából, napraforgómagból, tökmagból, kendermagból, stb.

Hozzávalók:

- 1 kávéscsésze dió, ideális beázatni 4-12 órára* (a tej bármely diófajtából előállítható - dió, kesudió, mogyoró, makadámidió, mandula, fenyőmag és magvak - napraforgó, tők, kender, stb.)
- 1 teáskanál méz vagy agave szirup, datolya, aszalt szilva, kókusz (édesítésre szolgál, nem szükséges hozzáadni)
- 1 csipet vanília bab, fahéj, fél teáskanál vanília kivonat vagy bármely kedvenc fűszer (ízlés szerint, nem szükséges hozzáadni)
- 1 teáskanál nyers kakaópor
- 2-3 kávéscsésze víz –ha sűrű tejet szeretnénk, kevesebb vizet adunk hozzá és fordítva

Az eljárás:

Tegye a hozzávalókat a turmixgépbe, és turmixolja simára. Ezután a levet szűrje át egy szilonharisnyán, egy a szűrőn, vagy egy tejszűrő papíron keresztül. Szűrje át az összes tejet.

A diótej tovább ízesíthető fahéjjal, szerecsendióval vagy egyéb fűszerrel.

A tejet egy lezárt palackban vagy tartályban a hűtőszekrényben kell tartani 2-4 napig. A diótejet nyers kakaóporral lehet ízesíteni, ami folytán finom kakaót kapunk.

A pépesített diót vagy rostanyagot nyugodtan használhatja kásák vagy koktélok készítésére.

* Az áztatás következtében a dió könnyebben emészthető, továbbá aktiválódnak azon enzimek és a tápanyagok, melyeket ez az éltető mag tartalmaz.

Máktej

Hozzávalók:

1,2 liter máktej előállításához szükséges:

- 200 g mák
- 2 liter víz

Az eljárás:

Áztassuk a mákot 2-3 órán keresztül meleg vízben, majd daráljuk szét a turmixgépben a legnagyobb fokozaton. A kapott levet átszűrjük egy finom szűrőn vagy vászonzsákon keresztül. Ha finomabb tejet szeretnénk ismételjük meg a folyamatot többször egymás után.

Mandulás fahéjas turmix MACA-val

- 3 db banán
- 3 dkg mandulatej
- 4 evőkanál chia - 2 evőkanál szétturmixolt és két evőkanál a turmixolás után
- 1 teáskanál fahéj
- 1 evőkanál őrölt MACA

Smoothie: Zöld reggeli

- 3 db banán
- 3 dkg földimogyoró tej
- 1 csésze - 21 gramm protein
- 1 teáskanál árpa
- 1 teáskanál virágpor
- 15 db chlorella
- 2 evőkanál chia mag
- 4 saláta levél

Csokoládé - kókusz turmix datolyával

- 3 db banán
- 2 alma
- 2 evőkanál kókuszolaj
- 8 db csokoládé bab
- 4 evőkanál chia mag
- 1 evőkanál kakaópor
- 4 db datolya
- 1 evőkanál MACA
- 1 evőkanál Lucuma

RECEPTEK



Almás petrezselymes turmix Lucumával

- 5 db alma
- 2 dcl harmonizált ozmotikus víz
- 100 gramm petrezselyem
- 100 g saláta
- 1 evőkanál fahéj
- 2 evőkanál chia mag
- 1 evőkanál Lucuma

Spenót turmix

- 3 db banán
- 400 gramm spenót

Csokoládé puding

- 2 érett avokádó
- 1 evőkanál kókuszszír
- 1 evőkanál kakaópor
- 2 evőkanál datolya édesítőszer (vagy ízlés szerint)

Szeletelt almával vagy más gyümölcssel tálalva

Fokhagymás kenő

- 2 érett avokádó
- 3 gerezd fokhagyma
- egy citrom leve
- himalájai só
- fekete bors
- metélőhagyma ízesítésére, vagy más gyógy-növények

Eper turmix Maqui-val

- 1 csésze eper
- 2 evőkanál chia mag
- 50 gramm mandula
- 1 teáskanál Maqui
- 4 db datolya

Chia Joghurt

- 3 dcl kókusztej
- 4 evőkanál chia mag

Ízesíthetjük tetszés szerint datolyapálma sziruppal, gojival, eperrel, nyers kakaóporral, fahéjjal és gyümölcscsel.

Banán fagyalt

- 3 db banán

Ízlés szerint: fahéj, tört nyers kakaóbab, vanília, agave szirup

Az eljárás:

A banánokat vágjuk szeletekre, és hagyjuk a fagyasztóban 1-2 órán át. Miután megfagyott, tegyük a banánt a turmixgépbe, és adjunk hozzá egy kevés vizet. Turmixoljuk mindaddig, míg krémes banán fagyaltot nem kapunk, majd ízesítsük tetszés szerint. Hogy a krémesebb fagyaltot kapjunk, adjuk hozzá kesudiót és turmixoljuk össze.

PL

GWARANCJA

Rejestracja gwarancji przedłużonej 2+2 lata na obudowę miksera.

Rejestracji przedłużonej gwarancji dokonuje się poprzez wypełnienie formularza na adresie:

www.g21-warranty.com

Zarejestruj przedłużenie gwarancji w ciągu 2 miesięcy od zakupu.

Gwarancja przedłużona nie obejmuje dzbanka miksera.

**PL**

Dziękujemy za zakup naszego produktu.

Przed użyciem urządzenia przeczytaj tę instrukcję, aby uniknąć nieprofesjonalnej obsługi, a Twoje urządzenie spełni wszystkie Twoje oczekiwania.

Części miksera



- | | | |
|--------------------|--|-------------------------|
| 1. Mała pokrywa | 9. Zupy | 17. On / Off |
| 2. Duża pokrywa | 10. Lód / czyszczenie | 18. Korpus urządzenia |
| 3. Pojemnik | 11. Puls | 19. Silnik |
| 4. Noże | 12. + Prędkość / czas | 20. Otwory wentylacyjne |
| 5. Wyświetlacz LCD | 13. - Prędkość / czas | 21. Gumowe nóżki |
| 6. Smoothie | 14. Start/Stop | 22. Tłoczek |
| 7. Orzechy | 15. Przycisk programowania użytkownika | 23. Szpatułka |
| 8. Mleko orzechowe | 16. Przycisk potwierdzenia ustawienia | 24. Klucz |

Ostrzeżenie

1. Sprawdź czy w trakcie transportu urządzenie nie zostało uszkodzone.
 - Sprawdź czy masz wszystkie części urządzenia.
 - 1x instrukcja obsługi
 - 1x mikser
2. Pokrywka, zamknięcie pokrywki, popychacz, korpus urządzenia, naczynie (łącznie z nożami i nakrętkami mocującymi), klucz, szpachelka.
3. Umieść urządzenie w równej stabilnej pozycji, nigdy nie przechylaj urządzenia. Nie umieszczaj urządzenia w pobliżu materiałów łatwopalnych.
4. Chronić urządzenie przed bezpośrednim działaniem światła słonecznego i deszczu.
5. Aby uniknąć porażenia prądem elektrycznym, urządzenie musi zostać podłączone do prawidłowo uziemionego gniazdka elektrycznego.

Instrukcja bezpieczeństwa

1. Przed użyciem urządzenia starannie przeczytaj instrukcję bezpieczeństwa.
2. Upewnij się, że urządzenie jest zasilane przez gniazdko o napięciu 220-240 V.
3. Urządzenie nie powinno być używane przez osoby (łącznie z dziećmi) o obniżonej sprawności fizycznej, umysłowej czy psychicznej lub bez odpowiedniego doświadczenia i wiedzy, jeśli nie został im zapewniony nadzór bądź nie zostały im przekazane instrukcje dotyczące użycia urządzenia, przez osobę odpowiedzialną za ich bezpieczeństwo.
4. Nie pozostawiaj dzieci w pobliżu urządzenia i upewnij się, że znajdują się w bezpiecznej odległości, kiedy urządzenie będzie w trakcie pracy.
5. Nigdy nie zapomnij zainstalować pokrywy pojemnika. Pokrywa pomaga tłoczek w mieszaniu żywności wewnątrz maszyny. Po wyłączeniu maszyny wyjmij pojemnik i użyj szpatułki do usunięcia resztek jedzenia
6. Podczas włączania urządzenia przytrzymaj pokrywę, co zapobiega możliwości jej urwania.
7. W trakcie działania urządzenia nigdy nie zdejmuj pokrywki i nie wkładaj rąk do wnętrza urządzenia.
8. Nigdy nie wkładaj do urządzenia przedmiotów typu widelce, łyżki itp.
9. Nigdy nie pozostawiaj urządzenia włączonego bez obciążenia (bez płynu) dłużej niż 2 minuty, praca urządzenia bez produktów może spowodować wygenerowanie wysokiej temperatury, która może niekorzystnie wpłynąć na układ smarowania urządzenia.
10. W przypadku uszkodzenia lub złamania się noża, natychmiast wyłącz urządzenie. Następnie skontaktuj się ze specjalistycznym serwisem.
11. W trakcie czyszczenia lub odłączania części urządzenie musi być wyłączone.
12. Nie zanurzaj korpusu urządzenia w wodzie ani nie myj go pod bieżącą wodą, aby nie doszło do porażenia prądem.
13. Nigdy nie czyść noży gołymi rękoma, albowiem są one bardzo ostre. Użyj szczoteczki lub twardej gąbki.
14. Jeśli urządzenie jest przepełnione, zabezpieczenie przed przeciążeniem spowoduje automatyczne odłączenie urządzenia. Zredukuj ilość produktów wewnątrz urządzenia.
15. Jeśli urządzenie działa w niewłaściwy sposób, odłącz go od zasilania i poczekaj, aż temperatura urządzenia obniży się.
16. Jeśli przewód zasilający jest uszkodzony, to jego naprawa musi być przeprowadzona przez specjalistyczny serwis.

Panel sterowania

Wyświetlacz LCD

Jeśli podłączysz urządzenie do gniazdka elektrycznego i naciśniesz przycisk ON, wyświetlacz LCD pokaże prędkość numer 5, czas 20 sekund i urządzenie jest w trybie gotowości.

Sterowanie urządzeniem



ON / OFF

Naciśnij przycisk ON/OFF, aby włączyć mikser. Mikser przejdzie do trybu gotowości. Naciśnij ponownie przycisk ON/OFF, aby wyłączyć mikser.



Pulse / Puls

Uwaga: funkcja pulsu zaczyna się od najwyższej prędkości, więc upewnij się, że pokrywa urządzenia jest prawidłowo zamocowana.

Notatka: Podczas używania przycisku PULSE podczas programu, należy wziąć pod uwagę opóźnienie bezpieczeństwa wynoszące 2 sekundy.



Szybki program

W trybie czuwania naciśnięcie przycisku SET miga numer 5 na wyświetlaczu. Użyj przycisków + i -, aby ustawić prędkość między 1 a H (10). Naciśnij ponownie przycisk ustawiania, aby wprowadzić ustawienie czasu miksowania, które można regulować za pomocą przycisków + i -. następnie naciśnij przycisk Start, aby uruchomić szybki program.



Program użytkownika

Naciśnięcie przycisku USER w trybie gotowości powoduje przejście do trybu ręcznego (własnego).

W lewej kolumnie znajduje się 6 pól A-F, pod którymi można zapisać własny program. Każdy program może mieć do sześciu kroków wyświetlanych pod 1-6 w prawej kolumnie wyświetlacza.

Po wejściu w niestandardowy tryb programu kursor znajduje się w programie A (miga litera A).

Naciśnij przyciski + i -, aby przechodzić między programami.

Naciśnij przycisk SET, aby rozpocząć programowanie wybranego programu.

Krok 1 zapala się po prawej stronie wyświetlacza, ponownie naciśnij przycisk SET, aby przejść do ustawienia prędkości i użyj przycisków + i -, aby ustawić prędkość 1 do H (10) pierwszego kroku. Naciśnij ponownie przycisk SET, aby wprowadzić ustawienie czasu mieszania (min), a następnie ponownie naciśnij przycisk SET, aby ustawić sekundy.

Następnie naciśnij przycisk SET, aby zakończyć ustawianie kroku 1, a cyfra 2 zacznie migać. Naciśnij ponownie przycisk SET, aby przejść do ustawienia prędkości.



W ten sposób możesz ustawić do 6 kroków.

Aby wyjść z programowania, naciśnij przycisk UŻYTKOWNIK.

Usuwanie programu:

Możesz usunąć pojedynczy krok lub program, przytrzymując przycisk SET przez 3 sekundy.

Wstępnie ustawione programy

W trybie gotowości naciśnij przyciski 5-9, aby przejść do zaprogramowanych programów Smoothie, orzechy, mleka orzechowe, zupy lub program kruszenia lodu / czyszczenia.

Wybrany program zostanie uruchomiony za pomocą przycisku Start.



Program smoothie:

Program rozpoczyna mieszanie przy średniej prędkości 4 przez 10 sekund, a następnie miesza przez 25 sekund przy najwyższej prędkości H, pozostałe 25 sekund zmienia się na 7 i H.

Całkowity czas programu: 1 minuta.



Program orzechy:

W ciągu 4 sekund program zwiększa się do maksymalnej prędkości H, w której miesza się do końca programu.

Całkowity czas programu: 1 minuta.



Program mleka orzechowe:

Program powoli zwiększa prędkość do 5 w ciągu 10 sekund, a następnie do 8. Po 22 sekundach osiąga maksymalną prędkość H, którą miesza aż do końca programu.

Całkowity czas programu: 3 minuty.



Program zupy:

Program przyspiesza do maksymalnej prędkości w ciągu 8 sekund, którą miesza aż do końca programu. Podczas cyklu program ogrzewa 1 litr płynu od 24° C do 56° C.

Całkowity czas programu: 3 minuty i 30 sekund



Program kruszenia lodu/czyszczenia:

Program zmienia prędkości między 5 a H.

Całkowity czas programu: 40 sekund.

Ostrzeżenie: włączaj urządzenie zawsze z pozycji „MIN“.

Przycisk pulsu - ON zastępuje ustawienie prędkości i uruchamia maszynę z najwyższą możliwą prędkością. Gdy przycisk jest wyłączony, urządzenie zmniejsza prędkość, aż do całkowitego wyłączenia

Praca

Przed uruchomieniem urządzenia należy skontrolować:

Poprawne połączenie naczyń z podstawą urządzenia.

Pokrywa dokładnie przylega do naczyń i jest zamknięta.

Przycisk prędkości jest w pozycji „MIN“.

1. Włącz urządzenie do gniazdka elektrycznego.
2. Umieść naczynie na podstawie urządzenia.
3. Włóż składniki do naczyń (nigdy nie przekraczaj oznaczenia MAX na naczyń).
4. Po zakończeniu wyłącz urządzenie i poczekaj do jego całkowitego zatrzymania się. Następnie odłącz naczynie i wyjmij z niego jedzenie.

Wskazówki dotyczące miksowania

W trakcie wkładania produktów, zwróć uwagę na kolejność. Najpierw wlej płyn, potem lód, a na koniec resztę produktów. Przy starcie lepiej rozpocząć od niższej prędkości, aby potem ją zwiększać.

Jeśli w trakcie działania urządzenia produkt dociskany jest do ścian naczyń, oznacza to, że nastawiłeś zbyt wysokie obroty i należy obniżyć prędkość pracy urządzenia.

Urządzenie zostało wyposażone w zabezpieczenie przed przeciążeniem zapobiegający przegrzaniu silnika urządzenia. Po wyłączeniu urządzenia należy poczekać, aby urządzenie ostygło, a następnie można włączyć je ponownie. Jeśli urządzenie nie ostygło, to nie będzie możliwe jego ponowne włączenie, należy pozostawić je na dłuższą chwilę w celu ochłodzenia się.

Wyroby

Przygotowanie soku owocowego i warzywnego

Pokrój warzywa i owoce na małe kawałki (ok. 3,5 cm), następnie włóż je do naczynia. Dodaj wodę. Nałóż pokrywę, zamknij pokrywki i przygotuj urządzenie do działania. Rozpocznij od niskiej prędkości i przejdź do szybszych obrotów. Miksuj do momentu kiedy uznasz, że sok jest już gotowy.

Przygotowanie smoothie/lodów

Najpierw włóż lód, potem dodaj płyn, a na koniec dodaj resztę produktów.

Wodę możesz zastąpić mlekiem, jogurtem lub sokiem owocowym.

Jeśli nie można rozmiksować produktów wewnątrz naczynia, użyj popychacza do rozmieszania produktów wewnątrz naczynia.

Przy produkcji lodów owocowych obierz najpierw owoce i usuń nasiona, następnie włóż owoce do zamrażalnika, w ten sposób zastąpisz lód. Potem rozmiksuj zamrożone owoce i ponownie włóż je do zamrażalnika.

Przygotowanie marmolad/sosów

Urządzenie potrafi przygotować marmolady i sosy. Przy produkcji marmolad/sosów pokrój produkty na kawałki wielkości ok. 2,5 cm i włóż je do naczynia. Dodaj wodę w zależności od ilości i właściwości miksowanych produktów.

Czas powinien być nastawiony na 15-150 sekund w zależności od zawartości tłuszczu w produktach. Przy produkcji sosów możesz dodać składnik inny niż wodę (np. mleko, olej, wino, bulion, sok pomarańczowy, sok pomidorowy itp.).

Przygotowanie mleka sojowego

Ugotuj ziarna soi, a następnie przełóż do naczynia i dodaj wrzątek.

Proponowana proporcja woda: ziarna 5:1.

Włącz silnik miksera na niskie obroty, potem zwiększ obroty.

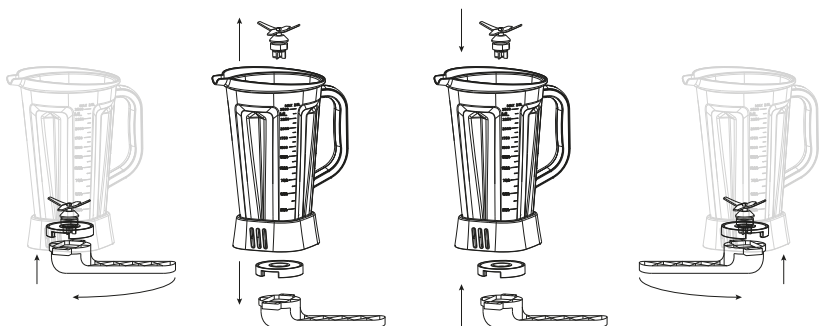


Rady

1. Jeśli nie lubisz gorzkiego smaku, możesz dodać miód. Diabetycy mogą dodać naturalne słodziki.
2. Pomidory i inne warzywa lub owoce mają wysokie wartości odżywcze, które mogą zapobiegać nowotworom. Są dobre dla ludzi, którzy mają problemy z tętnicami. Zdrowe surowce tracą jednak wartość odżywczą podczas obróbki cieplnej, więc lepiej jest je przetwarzać w mikserze.
3. Papaja posiada duże ilości potasu i cukru. Osoby z cukrzycą i posiadające problemy z nerkami powinny uważać na jej spożywanie.
4. Seler jest idealny w obniżaniu wysokiego ciśnienia, oczyszcza krew i neutralizuje zawartość wapnia i odkwasza organizm. Seler wzmacnia również system odpornościowy, zapobiega rakowi płuc, piersi i prostaty.
5. Marchew zawiera 490 rodzajów wartości odżywczych, zwłaszcza beta karoten, który wzmacnia system odpornościowy, pomaga w produkcji komórek, obniża cholesterol oraz reguluje pracę wątroby. Zawiera również wapń, potas, witaminy B i C. Zawarta w marchwi witamina A obniża wysokie ciśnienie.
6. W trakcie miksowania zamiast wody możesz dodać mleko.
7. Ponieważ mikser ma wysoką moc i może pracować na wysokich obrotach, nadaje się do miksowania owoców, które nie są wytrzymałe na długie gotowanie i przez to tracą swoje wartości odżywcze.

Czyszczenie i konserwacja

1. Przed czyszczeniem upewnij się, że urządzenie jest wyłączone na pozycji OFF i odłącz je od zasilania.
2. Czyszczenie naczynia: napełnij naczynie wodą, na 10 s wciśnij program pulsacyjny, potem wyłącz program i przepłucz naczynie wodą z kranu.
3. Użyj gąbki lub ściereczki, aby wytrzeć urządzenie i pokrywkę do sucha, co powstrzyma przed powstaniem nieprzyjemnego zapachu oraz bakterii.
4. Nigdy nie wkładaj rąk do naczynia, jeśli chcesz wyczyścić noże. Noże są bardzo ostre i mogłyby dojść do zranienia.
5. Użyj suchej szmatki, aby wytrzeć podstawę urządzenia, nigdy nie myj podstawy urządzenia pod bieżącą wodą i nie zanurzaj jej w wodzie.
6. Wszelkie uszkodzone części urządzenia muszą zostać zastąpione oryginalnymi częściami. Nigdy nie wymieniaj ich na tańsze zamienniki.
7. Jeśli urządzenie nie działa prawidłowo, wyłącz je. Następnie udaj się do specjalistycznego serwisu.



Parametry techniczne:

Napięcie znamionowe: 220-240 V~

Częstotliwość: 50 Hz

Wydajność: 1 700 W

Max. prędkość: 32 000 RPM

Pojemność naczynia: 2,5 l

PRZEPISY



Mleka roślinne

Mleka roślinne z nerkowca, migdałów, orzechów włoskich, laskowych, makadamii lub pinii, nasion słonecznika, dyni, konopi itd.

Składniki:

- 1 filiżanka orzechów, moczonych przez 4-12 godzin* (mleko można zrobić z dowolnych orzechów - włoskich, nerkowców, laskowych, makadamii, migdałów lub pinii, nasion słonecznika, dyni, konopi)
- 1 łyżeczka miodu lub syropu z agawy, daktyli, śliwek, kokosa (do dosłodzenia, nie jest wymagana)
- 1 szczypta pestek wanilii, cynamonu, pół łyżeczki ekstraktu waniliowego lub innej ulubionej przyprawy (do smaku, nie jest wymagana) łyżeczka RAW kakao (do przygotowania RAW kakao)
- 2-3 filiżanki wody - jeżeli chcemy uzyskać mleko gęste użyć mniej wody i odwrotnie

Wykonanie:

Wszystkie składniki umieścić w mikserze i zmiksować na gładko. Następnie przelać do styłonej pończochy przez sitko, czy bezpośrednio do torby do mleka orzechowego i wycisnąć całe mleko.

Do mleka orzechowego można dodać do smaku cynamonu, gałki muszkatołowej lub innej ulubionej przyprawy.

Mleko orzechowe można przechowywać w zamkniętej butelce lub pojemniku w lodówce przez 2-4 dni.

Do mleka orzechowego można dodać do smaku RAW kakao, przez co uzyskamy łagodne kakao RAW.

Zmiksowane włókna z orzechów można użyć do kaszki lub koktajli.

* moczenie wpływa na poprawę strawności orzechów i jednocześnie aktywuje wszystkie enzymy, zawarte w orzechu.

Mleko makowe

Składniki:

Do uzyskania około 1,2 litra mleka makowego należy użyć

- 200 g maku
- 2 litry wody

Wykonanie:

Mak zamoczyć na 2-3 godziny w ciepłej wodzie, następnie zmiksować w mikserze na najwyższych obrotach.

Powstałe zmiksowane mleko makowe przecedzić przez drobne sitko lub woreczek z płótna. W celu osiągnięcia delikatniejszej struktury mleka, cedzenie należy powtórzyć kilkakrotnie.

Smoothie migdałowo-cynamonowe z Maca

- 3 banany
- 3 dcl mleka migdałowego
- łyżki chia - 2 łyżki zmiksować a dwie łyżki po zmiksowaniu
- 1 łyżeczka cynamonu
- 1 łyżka proszku MACA

Smoothie: Zielone śniadanie

- 3 banany
- 3 dcl mleka z orzechów laskowych
- 1 miarka - 21 gramów czekoladowy SUNWARRIOR BLEND (Vitalvibe)
- 1 łyżeczka jęczmienia
- 1 łyżeczka pyłku pszczelego
- 15 szt. chlorella
- 2 łyżki nasion chia
- 4 liście sałaty

Czekoladowo-kokosowe smoothie z daktylami

- 3 banany
- 2 jabłka
- 2 łyżki oleju kokosowego
- 8 ziaren kakao
- 4 łyżki nasion chia
- 1 łyżka kakao
- 4 daktyle
- 1 łyżka MACA
- 1 łyżka LUCUMA

PRZEPISY



Smoothie jabłkowo - pietruszkowe z Lucumą

- 5 jabłek
- 2 dcl wody mineralizowanej
- 100 gramów pietruszki
- 100 gramów roszonek
- 1 łyżka cynamonu
- 2 łyżki nasion chia
- 1 łyżka LUCUMA

Smoothie szpinakowe

- 3 banany
- 400 gramów szpinaku

Pudding czekoladowy

- 2 szt. dojrzałego awokado
- 1 łyżka oleju kokosowego
- 1 łyżka kakao
- 2 łyżki słodzika daktylowego (lub do smaku)

Podawać na rozkrojonym jabłku lub innym owocu

Pasta czosnkowa

- 2 szt. dojrzałego awokado
- 3 ząbki czosnku
- sok z jednej cytryny
- sól himalajska
- pieprz
- szczypiorek lub inne zioła dla nadania smaku

Smoothie truskawkowe z Maqui

- kubek truskawek
- 2 łyżki nasion chia
- 50 gramów migdałów
- 1 łyżeczka MAQUI
- 4 daktyle

Chia jogurt

- 3 dcl mleka kokosowego
- 4 łyżki nasion chia
- Do smaku dodać syrop palmowy lub daktylowy, goji, RAW kakao, cynamon i dowolne owoce

Lody bananowe

- 3 banany

do smaku: cynamon, RAW mielone ziarno kakao, wanilia, syrop z agawy

Wykonanie:

Banany pokroić w plasterki i zamrozić przez 1-2 godzin. Po zamrożeniu banany włożyć do miksera i dodać trochę wody. Miksować do chwili, aż osiągniemy kremowe bananowe lody i doprawić do smaku. Jeżeli chcemy otrzymać bardziej kremową strukturę lodów, dodać orzechy cache i zmiksować.

HR

GARANCJA

Registracja przedłużonej gwarancji 2+2 lat na kuchnię miksera.

Registracja przedłużonej gwarancji odbywa się poprzez wypełnienie formularza na adresie:

www.g21-warranty.com

Przedłużoną gwarancję rejestruje się dwa miesiące po zakupie urządzenia.

Przedłużona gwarancja nie dotyczy naczyń do miksowania.



HR

Hvala Vam na kupnji našeg proizvoda.

Hvala Vam na kupnji našeg proizvoda.

Molimo Vas da pročitate ovu uputu prije rabljenja proizvoda, izbjeci ćete nestručno rukovanje, a uređaj će moći ispuniti sva Vaša očekivanja.

Opis proizvoda



- | | | |
|---------------------|-----------------------------------|---------------------------|
| 1. Mali poklopac | 9. Juhe | 17. On / off |
| 2. Veliki poklopac | 10. Led/čišćenje | 18. Kućište uređaja |
| 3. Posuda | 11. Pulse | 19. Motor |
| 4. Noževi | 12. + Brzina/vrijeme | 20. Ventilacijski otvori |
| 5. LCD ekran | 13. - Brzina/vrijeme | 21. Gumene nogice |
| 6. Smoothie | 14. Start/stop | 22. Pomagalo za gnječenje |
| 7. Orasi | 15. User - tipka za programiranje | 23. Lopatica |
| 8. Mlijeka od oraha | 16. Set – tipka za potvrđivanje | 24. Ključ |

Upozorenje

1. Provjerite nije li uređaj prilikom transporta bio oštećen.
2. Provjerite imate li sve dijelove proizvoda.
 - 1x uputa
 - 1x mikser
 - Mali poklopac, veliki poklopac, pomagalo za gnječenje, kućište uređaja, posuda (uključujući noževe i matične vijke za prihvatiti), ključ, lopatica.
3. Uređaj smjestite u ravan stabilan položaj, nikada ga ne naginjite. Uređaj ne smještajte u blizinu zapaljivih tvari.
4. Uređaj štitite od direktnog sunčanog žarenja i od kiše.
5. Kako ne bi došlo do curenja struje, uređaj mora biti uključen u dobro uzemljenu električnu utičnicu.

Sigurnosne upute

1. Prije rabljenja uređaja pažljivo pročitate sigurnosne upute.
2. Provjerite da li je uređaj uključen u 220-240 V utičnicu.
3. Ovaj uređaj nije namijenjen za uporabu osobama (uključujući djecu) sa smanjenom fizičkom, osjetilnom i mentalnom sposobnošću ili s nedovoljnim iskustvom i znanjem bez nadzora ili ako nisu od osobe odgovorne za njihovu sigurnost dobili upute za rabljenje uređaja.
4. Nikada ne ostavljajte djecu samu igrati se s uređajem i osigurajte da se nalaze u dovoljnoj udaljenosti dok se uređaj rabi.
5. Nikada ne zaboravljajte instalirati poklopac na posudu. Poklopac pomaže pomagalu za gnječenje pomiješati namirnice unutar uređaja. Kada se uređaj ugasi, izvadite posudu i upotrijebite lopaticu kako biste izvadili ostatke namirnica.
6. Kod uključivanja uređaja pridržavajte poklopac kako biste spriječili njegovo oslobađanje.
7. Dok se uređaj rabi nikada ne skidajte poklopac i ne dodirujte posudu iznutra.
8. Nikada u uređaj ne stavljajte predmete poput vilica, žlica i slično.
9. Nikada ne ostavljajte uređaj uključen da miksa u prazno (bez tekućine) dulje od 2 minute, pogon bez namirnica uzrokuje generiranje visoke temperature koja može nepovoljno utjecati na sustav za podmazivanje uređaja.
10. U slučaju da ispadne ili se slomi nož, odmah isključite uređaj. Zatim kontaktirajte stručni servis.
11. Tijekom čišćenja ili uklanjanja dijelova uređaj uvijek isključite.
12. Kućište uređaja ne potapajte u vodu niti ga ne perite direktno pod tekućom vodom kako ne bi došlo do ozljede strujom.
13. Nikada ne čistite noževe golim rukama. Noževi su veoma oštri. Upotrijebite četku ili jaku krpu.
14. U slučaju da je uređaj prepunjen, osigurač će uređaj automatski isključiti. Molimo Vas, smanjite količinu namirnica unutar posude.
15. U slučaju da uređaj funkcionira pogrešno, isključite ga iz električne utičnice i sačekajte dok se temperatura uređaja ne smanji.
16. U slučaju da je dovodni kabel oštećen, zamjenu uvijek mora izvršiti stručni servisni centar.

Upravljački panel

LCD ekran

Ako uređaj uključite u električnu utičnicu i uključite tipkom ON, LCD ekran pokazuje brzinu broj 5 i vrijeme 20 sekundi, uređaj je u stanju pripravnosti.

Upravljanje uređajem



ON/OFF

Pritisnite tipku On/Off kako biste uključili uređaj, mikser će preći u stanje pripravnosti. Ponovnim pritiskanjem tipke On/Off ćete mikser isključiti.



Pulse / pulz

Pažnja: puls funkcija će se uključiti na najvećoj brzini, stoga provjerite da li je poklopac uređaja ispravno pričvršćen.

Napomena: Kod korištenja tipke PULSE tijekom programa računajte sa sigurnosnim zakašnjenjem u trajanju od 2 sekunde.



Quick program

U stanju će pripravnosti pritiskanjem tipke SET na ekranu početi žmigati brojka 5. Pomoću tipki + i - podesit ćete brzinu među 1 i H (10), ponovnim pritiskanjem tipke SET preći ćete u podešavanje trajanja miksiranja koje možete podesiti tipkama + i -, pritiskanjem tipke Start uključit će se program Quick.



Korisnički program

Pritiskanjem tipke USER u stanju pripravnosti preći ćete u režim manualnih (vlastitih) programa.

U lijevom stupcu nalazi se 6 polja A-F pod koja možete spasiti vlastiti program. Svaki program može imati čak šest koraka koji su prikazani pod brojevima 1-6 u desnom stupcu na ekranu.

Nakon prelaska u režim vlastitih programa kursor je na programu A (slovo A žmigalo). Pritiskanjem tipki + i - krećete se među pojedinačnim programima.

Pritiskanjem tipke SET pokrenut ćete podešavanje odabranog programa.

Početi će svijetliti korak 1 u desnom dijelu ekrana, ponovnim pritiskanjem tipke SET preći ćete u podešavanje vremena, a tipkama + i - podesit ćete brzinu 1 do H (10) prvog koraka, sljedećim pritiskanjem tipke SET preći ćete u podešavanje trajanja miksiranja (min) a sljedećim pritiskanjem tipke SET u podešavanje sekundi.

Narednim pritiskanjem tipke SET završit ćete podešavanje koraka 1 i početak će žmigati korak broj 2. Ponovnim pritiskanjem tipke SET preći ćete u podešavanje brzine.



Ovako možete podesiti čak 6 koraka.

Ako želite programiranje završiti, pritisnite tipku USER.

Brisanje programa:

Pojedini korak ili program možete izbrisati pritiskanjem tipke SET u trajanju od 3 sekunde.

Unaprijed podešeni programi

Iz stanja pripravnosti preći ćete pritiskanjem tipki 5-9 u unaprijed podešene programe Smoothie, orasi, mlijeka od oraha, juhe ili drobljenje leda / program čišćenja.

Odabran program će se pokrenuti tipkom Start.



Program Smoothie:

Program će početi miksati srednjom brzinom 4 u trajanju od 10 sekundi, zatim miksa 25 sekundi najvećom brzinom, ostalih 25 sekundi mijenja brzine 7 i H. Cjelokupno trajanje programa je 1 minuta.



Program orasi:

Program ubrzava 4 sekunde na maksimalnu brzinu H kojom miksa do kraja programa. Cjelokupno trajanje programa je 1 minuta.



Program mlijeka od oraha:

Program tijekom 10 sekundi polako povećava broj obrtaja na brzinu 5, zatim na brzinu 8, nakon 22 sekunde prelazi u maksimalnu brzinu H kojom miksa sve do kraja programa.

Cjelokupno trajanje programa su 3 minute.



Program juhe:

Program tijekom 8 sekundi ubrzava na maksimalan broj obrtaja kojim miksa do kraja programa. Program tijekom svog ciklusa ugrije 1 litar tekućine s 24 °C na 56 °C. Cjelokupno trajanje programa su 3 minute i 30 sekundi.



Program drobljenje leda/čišćenje:

Program mijenja brzine 5 i H.

Cjelokupno trajanje programa je 40 sekundi.

Upozorenje: uređaj uvijek uključujte iz položaja „MIN“.

Puls tipka - ON položaj će prepisati podešavanje brzine i pokrenut će uređaj na najveću moguću brzinu. Nakon isključivanja tipke uređaj će smanjiti brzinu te će se potpuno ugaziti.

Rad

Prije uključivanja uređaja provjerite sljedeće:

Posuda je ispravno priključena uz osnovni dio.

Poklopac na posudi mora se nalaziti u pričvršćenom položaju.

Tipka brzine nalazi se u položaju „MIN“.

1. Uređaj uključite u električnu utičnicu.
2. Posudu stavite na osnovni dio.
3. Namirice stavite u posudu (nikada ne prekoračavajte oznaku MAX na posudi).
4. Nakon završetka isključite uređaj i sačekajte dok se uređaj u potpunosti ne zaustavi, zatim oduzmite posudu i ispraznite je.

Prijedlozi za miksanje

Kod ubacivanja namirnica vodite računa o redosljedju. Prvo ulijte tekućine, dodajte led a na kraju namirnice.

Bolje je upotrijebiti malu brzinu u početku, a zatim je povećavati.

Ako su namirnice tijekom miksiranja pritiskane uz zidove posude, podesili ste previše veliki broj obrtaja, trebali biste smanjiti brzinu.

Uređaj ima osigurač protiv pregrijavanja kako bi se spriječilo oštećenje motora uređaja. Nakon isključivanja sačekajte da se uređaj u potpunosti ohladi, zatim ga ponovno uključite. Ako uređaj nema dovoljno hlađenje, neće se ponovno uključiti, morate ga ostaviti dulje vremena da se ohladi.

Priprema

Priprema voćnog soka i soka od povrća

Voće i povrće izrežite na male komadiće (otprilike 3,5 cm), zatim ih stavite u posudu. Dolijte vodu. Natakните veliki poklopac, mali poklopac i uključite uređaj. Počnite na niskoj brzini i pređite u veću brzinu. Miksajte dok sok ne bude spreman prema Vašoj želji.

Priprema smoothie/sladoleda

U posudu stavite led, zalijte ga tekućinom i dodajte čvrste sastojke.

Vodu možete nadomjestiti mlijekom, jogurtom ili voćnim sokom.

Ako namirnice unutar posude ne možete izmiksati, upotrijebite pomagalo za gnječenje kako biste namirnice unutar promiješali.

Kod pripreme voćnog sladoleda voće prvo ogulite i uklonite sjemenke, zatim voće stavite u zamrzivač kako biste nadomjestili led. Zatim voće izmiksajte i ponovno stavite u zamrzivač.

Priprema marmelada/umaka

Uređaj može pripremiti marmelade i umake. Kod pripreme marmelada/umaka izrežite namirnice na komadiće debljine otprilike 2,5 cm i stavite ih u posudu. Zatim dolijte vodu ovisno o karakteru i količini namirnica koje želite miksati.

Vrijeme bi trebalo biti podešeno otprilike na 15-150 sekundi ovisno o debljini namirnica. Kod pripreme umaka možete dodati drugi sastojak umjesto vode (na primjer mlijeko, ulje, vino, bujon, sok od naranče, sok od rajčica i slično,...)

Priprema mlijeka od soje

Skuhajte zrna soje, zatim ih stavite u posudu i dolijte vruću vodu. Preporučeni omjer voda: zrna soje je 5:1.

Motor uključite na maloj brzini, zatim pređite u veću brzinu.

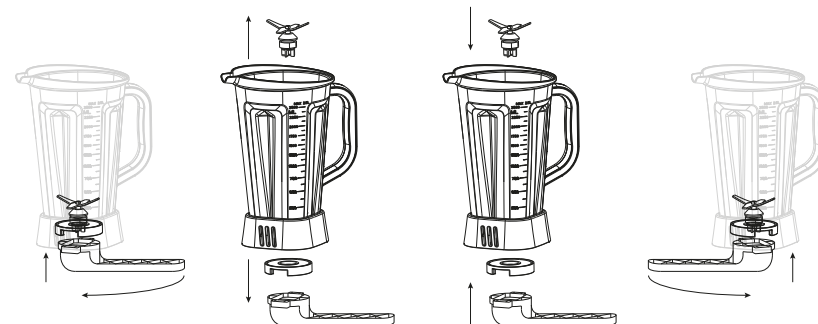


Savjeti

1. Ako ne volite gorak okus, možete dodati med. Dijabetičari mogu dodati prirodna sladila.
2. Rajčice i drugo voće ili povrće imaju visoke nutritivne vrijednosti koje mogu sprječavati nastanak raka. Namijenjeni su ljudima koji imaju problema s arterijama. No zdrave namirnice gube prilikom toplotne obrade nutritivne vrijednosti, stoga je bolje obraditi ih u mikseru.
3. Papaja sadrži veliku količinu kalija i šećera. Ljudi koji pate od dijabetesa trebali bi biti oprezni kod njezine konzumacije.
4. Celer je izvrstan za smanjenje visokog krvnog tlaka, čisti krv i neutralizira sadržaj kalcija i kiselost koja je unutar ljudskog tijela. Celer također jača imunološki sustav, sprječava nastanak raka pluća, raka dojke i raka prostate.
5. Mrkva sadrži oko 490 vrsta hranjivih tvari, naročito beta karoten koji jača imunološki sustav, pomaže stvarati stanice, smanjuje kolesterol i smanjuje vrijednosti jetre. Mrkva sadrži kalcij, kalij, vitamin B i C. Vitamin A pomaže smanjivati visoki krvni tlak.
6. Umjesto vode možete kod miksiranja dodati mlijeko.
7. Zbog toga što mikser ima veliku snagu i veliki broj obrtaja, pogodan je za voće koje nije otporno na dugo kuhanje i kuhanjem gubi svoje nutritivne vrijednosti.

Čišćenje i održavanje

1. Prije čišćenja provjerite da li je uređaj isključen u položaj OFF i izvadite ga iz električne utičnice.
2. Čišćenje posude: napunite posudu vodom, pritisnite na 10 s puls funkciju, zatim je isključite i soperite vodom iz česme.
3. Upotrijebite spužvu ili krpu za obrisanje uređaja i poklopca kako biste ga posušili te spriječili nastanak neugodnih mirisa i bakterija.
4. Nikada u posudu ne stavljajte ruke kako biste očistili noževe. Noževi su veoma oštri i moglo bi doći do ozljede.
5. Upotrijebite suhu krpu kako biste obrisali osnovni dio uređaja, nikada osnovni dio ne perite pod tekućom vodom niti ga ne potapajte pod vodu.
6. Svi oštećeni dijelovi uređaja moraju biti nadomješteni original dijelovima. Nikada ne upotrebljavajte jeftine nadomjestke.
7. U slučaju da uređaj radi pogrešno, isključite ga. Zatim kontaktirajte stručni servis.



Tehnički parametri:

Napon: 220-240 V~

Frekvencija: 50 Hz

Snaga: 1 700 W

Maksimalan broj obrtaja: 32 000 RPM

Maksimalan kapacitet posude: 2,5 l

RECEPTI



Biljna mlijeka

Biljna mlijeka od indijskih oraha, badema, oraha, lješnjaka, makadamija oraha ili pinjoli oraha ili sjemenki
Sastojci

- 1 kavena šalica oraha, idealno potopljenih na 4-12 sati* (mlijeko se može napraviti od bilo kojih oraha – obični orah, indijski orah, lješnjak, makadamija orah, badem, pinjoli orah ili od sjemenki – sjemenke suncokreta, lubenice, konoplje)
- 1 žlica meda ili sirupa od agave, datulja, šljiva, kokosa (za zaslađenje, nije obvezno)
- malo zrna vanilije, cimeta, pola žlice ekstrakta od vanilije ili bilo kojeg omiljenog začina (za pojačanje okusa, nije obvezno)
- žlica RAW kakao praška (za pripremu RAW kaka)
- 2-3 kavene žlice vode – ako želimo gusto mlijeko, upotrijebimo manje vode i obratno

Priprema:

Sve sastojke stavimo u mikser i izmiksamo u glatku smjesu. Zatim prelijemo u najlonsku čarapu kroz sito ili direktno u vrećicu za mlijeko od oraha i iscijedimo svo mlijeko.

Mlijeko od oraha možete začiniti cimetom, muškatinim oraščićem ili drugim omiljenim začinom.

Mlijeko od oraha može biti pohranjeno u zatvorenoj boci ili posudi u hladnjaku 2-4 dana.

Mlijeka od oraha mogu se začiniti raw kakao praškom zahvaljujući čemu ćete dobiti slastan raw kakao.

Izmiksana vlakna od oraha mogu se upotrijebiti u kašu ili u koktele.

* razlog potapanja jeste bolja probavljivost oraha i istovremena aktivacija svih enzima i informacija koje su u orahu kao životodajnom sjemenu pohranjene

Mlijeko od maka

Sastojci:

Za pripremu otprilike 1,2 litra mlijeka od maka potrebno

- 200 g maka
- 2 litra vode

Priprema:

Mak potopimo na 2-3 sata u vlažnu vodu, zatim izmiksamo u mikseru na najvećoj brzini. Dobiveno izmiksano mlijeko od maka procijedimo preko finog sita ili kroz platnenu vrećicu. Želimo li dobiti blažu strukturu mlijeka, cijeđenje ponavljamo više puta.

Smoothie od badema i cimeta s MACA praškom

- 3 komada banana
- 3 dcl mlijeka od badema
- 4 žlice chia - 2 žlice izmiksati, a dvije žlice poslije miksiranja
- 1 kavena žlica cimeta
- 1 žlica MACA prašak

Smoothie: Zeleni doručak

- 3 komada banane
- 3 dcl mlijeka od lješnjaka
- 1 mjerica - 21 grama - čokoladni SUNWA-RRIOR BLEND (Vitalvibe)
- 1 kavena žlica ječma
- 1 kavena žlica pčelinje peludi
- 15 komada chlorelle
- 2 žlice chia sjemenki
- 4 lista glavate salate

Smoothie od čokolade i kokosa s datuljama

- 3 komada banana
- 2 komada jabuka
- 2 žlice kokosovog ulja
- 8 komada čokoladnih zrna
- 4 žlice chia sjemenki
- 1 žlica kaka u prahu
- 4 komada datulja
- 1 žlica MACA
- 1 žlica LUCUMA

RECEPTI



Smoothie od jabuke i peršina s Lucumom

- 5 komada jabuka
- 2 dcl osmotske harmonizirane vode
- 100 grama peršina
- 100 grama matovilca
- 1 jušna žlica cimeta
- 2 jušne žlice chia sjemenki
- 1 jušna žlica LUCUMA

Smoothie od špinata

- 3 komada banana
- 400 grama špinata

Čokoladni puding

- 2 komada sazrelog avokada
- 1 jušna žlica kokosove masti
- 1 jušna žlica kakaovog praha
- 2 jušne žlice sladila od datulja (ili prema želji)

Serviramo na razrezanoj jabuci ili drugom voću.

Namaz od češnjaka

- 2 komada sazrelog avokada
- 3 češnja češnjaka
- sok od jednog limuna
- himalajska sol
- papar
- vlasac ili drugo svježe začinsko bilje

Smoothie od jagode s Maqui

- 1 šalica jagoda
- 2 jušne žlice chia sjemenki
- 50 grama badema
- 1 žlica MAQUI
- 4 komada datulja

Chia jogurt

- 3 dcl kokosovog mlijeka
- 4 žlice chia sjemenki
- Za pojačanje okusa prema želji palmin sirup ili sirup od datulja, goji, murva, raw kakaov prašak, cimet i bilo koje voće

Sladoled od banane

- 3 komada banana

za dodanje okusa: cimet, raw drobljena kakaova zrna, vanilija, sirup od agave

Priprema:

Banane izrežemo na kolutiće i stavimo u zamrzivač na 1-2 sata. Nakon što se zamrznu stavimo banane u mikser i dodamo malo vode. Miksamo sve dok ne dobijemo kremasti sladoled od banane i začinimo prema želji. Želimo li dobiti još više kremastu strukturu sladoleda dodamo indijski orah i izmiksamo.

Recepti su bili pripremljeni u suradnji s www.centrumzdravbrno.cz: unikatno i kompleksno mjerenje cjelokupnog stanja organizma, savjetništvo, informacije s područja zdravlja i seminari, kursevi i škola RAW food.

SLO

GARANCIJA

Registracija podaljšane garancije 2 + 2 leti na mešalnem telesu.

Če želite registrirati razširjeno garancijo, izpolnite obrazec na:

www.g21-warranty.com

Podaljšanje garancije registrirajte v 2 mesecih po nakupu.

Razširjena garancija ne velja za mešalno posodo.

**SLO**

Zahvaljujemo se vam za nakup našega izdelka.

Pred uporabo naprave preberite ta priročnik, da se izognete nepravilnemu ravnanju in napravi, da bo izpolnila vsa vaša pričakovanja.

Opis izdelka



- | | | |
|------------------|---------------------------------------|----------------------------|
| 1. Majhen pokrov | 9. Juhe | 17. Vklp / izklop |
| 2. Velik pokrov | 10. Led / Čiščenje | 18. Telo merilnika |
| 3. Posoda | 11. Pulse | 19. Motor |
| 4. Noži | 12. + Hitrost / Čas | 20. Prezračevalne odprtine |
| 5. LCD zaslon | 13. - Hitrost / Čas | 21. Gumijaste nogice |
| 6. Smoothie | 14. Start / Stop | 22. Potisna plošča |
| 7. Matice | 15. Gumb za uporabniško programiranje | 23. Lopatica |
| 8. Orehovo mleko | 16. Gumb Set-Confirm | 24. Ključ |

Opozorilo

1. Preverite, ali naprava med transportom ni bila poškodovana.
2. Prepričajte se, da imate vse dele stroja.
 - 1x priročnik
 - 1x mešalnik
 - Majhen pokrov, velik pokrov, stamper, telo, vsebnik (vključno z noži in pritrdilnimi maticami), ključ, lopatica.
3. Enoto postavite v ravno, stabilen položaj, nikoli ga ne nagnite. Naprave ne postavljajte v bližini vnetljivih tekočin.
4. Napravo zaščitite pred soncem in dežjem.
5. Da bi se izognili električnemu puščanju, mora biti naprava priključena na ustrezno ozemljeno električno vtičnico.

Varnostna navodila

1. Pred uporabo stroja natančno preberite varnostna navodila.
2. Poskrbite, da bo enota napajala 220-240 V vtičnica.
3. Ta naprava ni namenjena za uporabo osebam (vključno z otroki) z zmanjšanimi fizičnimi, čutilnimi ali duševnimi sposobnostmi ali pomanjkanjem izkušenj in znanja, razen če jim je oseba, odgovorna za njihovo varnost, pod nadzorom ali navodili glede uporabe naprave.
4. Nikoli ne dovolite, da se otroci igrajo sami z napravo in se prepričajte, da niso na voljo, ko je naprava v uporabi.
5. Nikoli ne pozabite namestiti pokrova na posodo. Pokrov omogoča mešanje hrane v stroju. Po izklopu stroja odstranite posodo in odstranite ostanke hrane z lopatico.
6. Ko vklopite napravo, držite pokrov, da preprečite njegovo sproščanje.
7. Nikoli ne odstranite pokrova in ne posegajte v posodo med delovanjem.
8. V stroj nikoli ne vstavljajte predmetov, kot so vilice, žlice itd.
9. Stroja nikoli ne pustite v prostem teku (brez tekočine) več kot 2 minuti, če vožnja brez hrane povzroči visoko temperaturo, kar lahko negativno vpliva na sistem mazanja stroja.
10. Če rezilo pade ven ali se zlomi, takoj izklopite napravo. Nato se obrnite na strokovno servisno delavnico.
11. Med čiščenjem ali odstranjevanjem delov vedno izklopite stroj.
12. Ohišja naprave ne potaplajte v vodo ali jo operite neposredno pod tekočo vodo, da se izognete električnemu šoku.
13. Nikoli ne čistite rezil z golimi rokami. Noži so zelo ostri. Uporabite krtačo ali debelo krpo.
14. Če je naprava preveč napolnjena, se bo naprava za zaščito pred prenaplnitvijo samodejno izklopila. Zmanjšajte količino hrane v posodi.
15. Če se naprava pokvari, jo izvlecite iz električne vtičnice in počakajte, da se temperatura enote zniža.
16. Če je napajalni kabel poškodovan, mora zamenjavo vedno izvesti servisni center.

Nadzorna plošča

LCD zaslon

Če napravo priključite v električno vtičnico in pritisnete gumb ON, se na LCD-prikazovalniku prikaže številka 5, čas 20 sekund in enota je v stanju pripravljenosti.

Kontrola instrumentov



ON / OFF

Pritisnite gumb za vklop / izklop, da vklopite mešalnik, mešalnik pa vstopi v stanje pripravljenosti. Ponovno pritisnite gumb za vklop / izklop, da izklopite mešalnik.



Pulse

Pozor: funkcija impulza se zažene pri najvišji hitrosti, zato se prepričajte, da je pokrov naprave pravilno pritrjen.

Opomba: Ko uporabljate gumb PULSE med programom, dovolite 2 sekundno varnostno zamudo.



Hitri program

V stanju pripravljenosti bo na zaslonu utripalo tipka SET 5. Z gumboma + in - nastavite hitrost med 1 in H (10) s ponovnim pritiskom na gumb za nastavitve, da vstopite v nastavitve časa mešanja, ki jo lahko prilagodite s tipkama + in - ter gumbom Start. Hitri program se zažene.



Uporabniški program

S pritiskom na gumb USER v stanju pripravljenosti se premaknete na ročni način (po meri). V levem stolpcu je 6 A-F polj, pod katerimi lahko shranite svoj program. Vsak program ima lahko do šest korakov, prikazanih pod 1-6 v desnem stolpcu zaslona. Po vstopu v program po meri je kazalec na programu A (utripa črka A). Za pomikanje med programi pritisnite gumba + in -. Pritisnite gumb SET za začetek programiranja izbranega programa.

Korak 1 zasveti na desni strani zaslona, ponovno pritisnite tipko SET, da se premaknete na nastavitve časa in s tipkama + in - nastavite hitrost 1 na H (10) prvega koraka, da nastavite sekunde.

Nato pritisnite tipko SET, da dokončate nastavitve koraka 1 in številka 2 utripa. Ponovno pritisnite tipko SET za preklon na nastavitve hitrosti.

Nato pritisnite SET, da končate z nastavitvijo koraka 1 in utripa 2. korak. Ponovno pritisnite SET, da se vrnete na nastavitve hitrosti.



Na ta način lahko nastavite do 6 korakov. Za izhod iz programiranja pritisnite gumb USER.

Brisanje programa:

En korak ali program lahko izbrišete tako, da držite tipko SET 3 sekunde.

Prednastavljeni programi

Iz stanja pripravljenosti s pritiskom na 5-9 za skok na vnaprej določenih programov Smoothie, oreški, lupinarji, mlečne juhe ali zdrobljenega programa ledu / čiščenje.

Izbrani program se zažene s tipko Start.



Program Smoothie:

Program se začne mešati pri srednji hitrosti 4 za 10 sekund, nato pa se meša 25 sekund pri največji hitrosti H, preostalih 25 sekund pa se izmenjuje pri 7 in H.

Celoten čas programa 1 minuta.



Program Nuts:

Program pospeši do največje hitrosti H za 4 sekunde, do katere se meša do konca programa. Skupni čas programa 1 minuta.



Program orehovega mleka:

Program počasi poveča hitrost na 5 v 10 sekundah in nato do 8, po 22 sekundah gre na maksimalno hitrost H, ki se meša do konca programa. Skupno trajanje programa 3 minute.



Program juhe:

Program pospeši do maks. hitrost se meša do konca programa. Program med ciklom segreje 1 liter tekočine od 24 ° C do 56 ° C.

Skupno trajanje programa 3 minute in 30 sekund.



Program drobljenja ledu:

Program se izmenjuje med 5 in H.

Skupno trajanje programa 40 sekund.

Opomba: Napravo vedno vklopite iz položaja „MIN“.

Gumb za vklop položaja ON preglasi nastavitve hitrosti in zažene stroj pri najvišji možni hitrosti. Ko je gumb izklopljen, naprava zmanjša hitrost, dokler se popolnoma ne izklopi.

Promet

Preden vklopite napravo, preverite naslednje:

Posoda je pravilno pritrjena na podstavek.

Pokrov posode mora biti v zaklenjenem položaju.

Gumb za hitrost je v položaju „MIN“.

1. Napravo priključite v električno vtičnico.
2. Posodo postavite na podnožje.
3. Namestite hrano v posodo (nikoli ne presežite oznake MAX na posodi).
4. Ko končate, izklopite napravo in počakajte, da se stroj popolnoma ustavi, nato odstranite posodo in jo izpraznite.

Namigi za mešanje

Bodite previdni pri odlaganju hrane. Najprej nalijte tekočine, dodajte led in na koncu hrano.

Bolje je uporabiti nizko začetno hitrost in nato povečati hitrost.

Če med delovanjem na stene posode potisnete hrano, ste nastavili previsoko hitrost, hitrost je treba zmanjšati.

Naprava je opremljena z zaščito pred pregrevanjem, da se prepreči poškodba motorja stroja. Po izklopu počakajte, da se naprava popolnoma ohladi, nato ponovno zaženite enoto. Če naprava nima zadostnega hlajenja, se naprava ne bo ponovno vklopila, pustite jo dolgo časa, da se ohladi.

Priprava

Priprava sadnega in zelenjavnega soka

Zelenjavo in sadje narežite na majhne koščke (približno 3,5 cm) in jih položite v posodo. Dodajte vodo. Povežite velik pokrov, majhen pokrov in vklopite aparat. Začnite pri nizki hitrosti in pojdite na višjo hitrost. Mešajte, dokler se sok ne pripravi v skladu z vašimi zahtevami.

Pripravki za Smoothie / sladoled

Položite led v posodo, zlijte ga s tekočino in dodajte trdne sestavine. Lahko zamenjate vodo z mlekom, jogurtom ali sadnim sokom. Če se hrana v posodi ne zmeša, zmešajte hrano v notranjosti. Da bi sadni sladoled naredili, najprej olupite sadje in odstranite semena, nato pa sadje spravite v zamrzovalnik in zamenjajte led. Nato zmešajte sadje in ga znova vstavite v zamrzovalnik.

Proizvodnja marmelad / omak

Stroj lahko proizvaja marmelade in omake. Ko izdelujete marmelade / omake, jih narežite na kose debeline približno 2,5 cm in jih postavite v posodo. Nato zlijte vodo glede na vrsto mešanih sestavin in njihovo količino. Čas je treba nastaviti približno 15-150 sekund, odvisno od debeline hrane. Pri pripravi omak lahko dodate drugo sestavino kot voda (kot so mleko, olje, vino, juha, pomarančni sok, paradižnikov sok itd.).

Proizvodnja sojinega mleka

Kuhajte sojina zrna in jih postavite v posodo in dodajte vročo vodo.

Priporočeno razmerje vode: fižol - 5:1

Zaženite motor pri nizki hitrosti, nato pa pojdite na visoko hitrost.

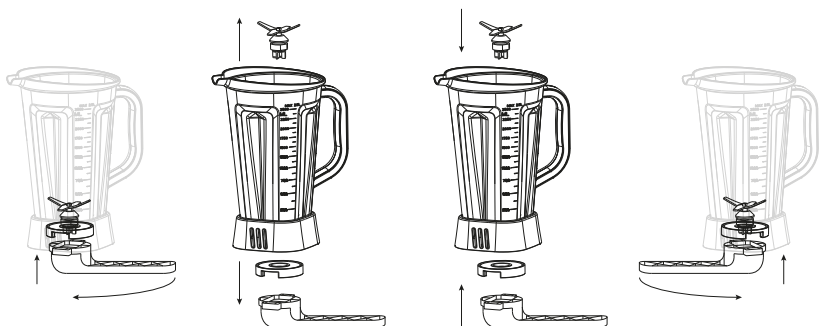


Svet

1. Če vam ni všeč grenak okus, lahko dodate med. Diabetiki lahko dodajo naravna sladila.
2. Paradižnik in druga zelenjava ali sadje imata visoke prehranske vrednosti, ki lahko preprečijo raka. So za ljudi, ki imajo težave z arterijami. Vendar pa zdrave surovine med toplotno obdelavo izgubijo hranilno vrednost, zato jih je bolje predelati v mešalnik.
3. Papaya ima veliko količino kalija in sladkorja. Ljudje s sladkorno boleznijo in težavami z ledvicami morajo biti previdni pri njegovi uporabi.
4. Zelena je odlična za zmanjšanje visokega krvnega tlaka, čiščenje krvi in nevtralizira vsebnost kalcija in kislost v človeškem telesu. Zelena krepi imunski sistem, preprečuje raka pljuč, raka dojke in raka prostate.
5. Korenje vsebuje okoli 490 vrst hranil, zlasti beta karoten, ki povečuje odpornost, pomaga pri nastajanju celic, znižuje holesterol in znižuje vrednosti jeter. Korenček vsebuje kalcij, kalij, vitamin B in C. Vitamin A pomaga zmanjšati visok krvni tlak.
6. Med mešanjem lahko dodamo mleko namesto vode.
7. Ker ima mešalnik veliko moč in hitrost, je primeren za sadje, ki ni odporno na dolgo kuhanje in izgubi svojo hranilno vrednost.

Čiščenje in vzdrževanje

1. Pred čiščenjem se prepričajte, da je stroj izklopljen in izključen.
2. Čiščenje posode: Posodo napolnite z vodo, pritisnite 10 sekund na impulz, nato jo izklopite in sperite z vodo iz pipe.
3. Aparat obrišite z gobo ali krpo in pokrov posušite, da se izognete vonju in bakterijam.
4. Nikoli ne postavljajte rok v posodo, da očistite rezila. Rezila so zelo ostra in lahko povzročijo poškodbe.
5. S suho krpo obrišite podnožje enote, nikoli ne operite podlage pod tekočo vodo ali jo potopite v vodo.
6. Vse poškodovane dele naprave je treba zamenjati z originalnimi deli. Nikoli ne uporabljajte poceni nadomestke.
7. Če enota ne deluje pravilno, jo izklopite. Nato se obrnite na strokovno servisno delavnico.



Tehnični parametri:

Napetost: 220-240 V~

Frekvenca: 50 Hz

Moč: 1 700 W

Največja hitrost: 32 000 RPM

Max. prostornina posode: 2,5 l

RECEPTI



Rastlinsko mleko

Rastlinsko mleko iz indijskih orehov, mandljev, orehov, lešnikov, makadamije ali pinjole ali sončničnih, bučnih, konopljinih semen itd.

Sestavine:

- 1 skodelica kave orehov, idealno namočena 4-12 ur * (mleko je narejeno iz oreškov, orehov, orehov, lešnikov, makadamije, mandljev, pinjol ali semen - sončnice, buče, konoplje)
- 1 čajna žlička medu ali agave sirupa, datumi, slive, kokos (za sladkanje, ni potrebno)
- 1 ščepec vanilijevega fižola, cimeta, pol čajne žličke ekstrakta vanilije ali katerekoli najljubše začimbe (za aromatiziranje, ni potrebno)
- žlička kakovovega prahu RAW (za pripravo kakava RAW)
- 2-3 lončke za kavo z vodo - če želimo gosto mleko, porabimo manj vode in obratno

Postopek:

Vse sestavine vmešajte v mešalnik in premešajte, dokler ni gladka. Nato prelijte sito ali neposredno v vrečo za mleko in iztisnite vse mleko.

Mleko iz oreškov lahko dodatno okusimo s cimetom, muškatinim oreščkom ali drugimi priljubljenimi začimbami.

Lešnikovo mleko lahko shranjujete v zaprti steklenici ali posodi v hladilniku 2-4 dni.

Mleko iz lešnika lahko aromatiziramo s surovim kakovovim prahom, ki vam daje okusen surovi kakav.

Mešana orehova vlakna se lahko uporabljajo v mashah ali koktajlih.

Razlog za namakanje je boljša prebavljivost oreščkov in aktiviranje vseh encimov in informacij, shranjenih v matici, kot živorodno seme.

Makovo mleko

Sestavine:

Za proizvodnjo pribl. Uporabljamo 1,2 litra makovega mleka

- 200 g makovih semen
- 2 litra vode

Postopek:

Makovo seme namočite 2-3 ure v mlačno vodo, nato pa zmešajte v mešalniku do najvišje hitrosti. Mešamo iz mešanega makovega mleka v fino sito ali v platneno vrečko. Če želimo dobiti fino teksturo mleka, sev večkrat ponovimo.

Smoothie: Zeleni zajtrk

- 3 kosi banane
- 3 dcl lešnikovega mleka
- 1 merilna skodelica - 21 gramov - čokolada SUNWARRIOR BLEND (Vitalvibe)
- 1 čajna žlička ječmena
- 1 čajna žlička cvetnega prahu
- 15 Chlorella
- 2 žlici semen čia
- 4 listi solate

Čokoladno-kokosov smoothie z datumi

- 3 kosi banane
- 2 kos jabolka
- 2 žlici kokosovega olja
- 8 kosov čokoladnih zrn
- 4 žlice semen čia
- 1 žlica kakava v prahu
- 4 datumi
- 1 žlica MACA
- 1 žlička LUCUME

Smoothie z mandljevim cimetom in Maca

- 3 kosi banane
- 3 dcl mandljevega mleka
- 4 žlice chia - 2 žlici pri mešanju in dve jušni žlici po mešanju
- 1 čajna žlička cimeta
- 1 žlica praška MACA

Slovenska različica priročnika je natančen prevod originalnih navodil proizvajalca.

Fotografije, uporabljene v tem priročniku, so samo za ilustracijo in ne ustrezajo nujno izdelku.

RECEPTI



Jabolko-peteršiljni smoothie z Lucumo

- 5 kosov jabolk
- 2 dcl osmotske harmonizirane vode
- 100 gramov peteršilja
- 100 gramov jagnetine solate
- 1 žlica cimeta
- 2 žlici semen čia
- 1 žlička LUCUME

Spinach smoothie

- 3 banane
- 400 gramov špinače

Čokoladni puding

- 2 kosa zrelega avokada
- 1 žlica kokosove maščobe
- 1 žlica kakava v prahu
- 2 žlici sladilnega datuma

(ali po okusu)

Postrežemo na rezanem jabolku ali drugem sadju

Česen namaz

- 2 kosa zrelega avokada
- 3 stroka česna
- sok ene limone
- Himalajska sol
- poper
- Drobnjak za aromo ali druga sveža zelišča

Jagoda smoothie s maqui

- 1 skodelica jagod
- 2 žlici semen čia
- 50 gramov mandljev
- 1 čajna žlička MAQUI
- 4 datumi

Chia jogurt

- 3 dcl kokosovega mleka
- 4 žlice semen čia
- Po okusu okusite z sirupom iz palmovih ali datumskih vrst, goji, murvami, surovim prahom iz kakava, cimetom in katerim koli sadjem.

Banana sladoled

- 3 banane

za aromatiziranje: cimet, surovo zdrobljeno kakavovo zrnje, vanilija, agavin sirup

postopek:

Banane narežite na kolesce in zamrznite 1-2 uri. Po zamrznitvi vstavite banane v mešalnik in dodajte malo vode. Mešajte, dokler ne dobimo kremastega bananskega sladoleda in okus po okusu. Da bi dobili kremasto strukturo sladoleda, dodajte indijske orehe in premešajte.





powerful blenders

food dehydrators



hand mixers

kitchen machine

juicers

More products G21