

*u*StreamTT2



## Belt-Drive Bluetooth Turntable



User Guide

## Important Safety Instruction



**CAUTION:** To reduce the risk of fire or electric shock, do not expose this appliance to rain or moisture.

**WARNING:** To prevent electric shock, do not use this (polarized) plug with an extension cord, receptacle or other outlet unless the blades can be fully inserted to prevent blade exposure.

## Important Safety Instructions

1. Read these instructions – All the safety and operating instructions should be read before this product is operated.
2. Keep these instructions– The safety and operating instructions should be retained for future reference.
3. Heed all warnings – All warnings on the appliance and in the operating instructions should be
4. adhered to.
5. Follow all instructions – All operating and use instructions should be followed.
6. Do not use this apparatus near water – The appliance should not be used near water or moisture –
7. for example, in a wet basement or near a swimming pool, and the like.
8. Clean only with dry cloth.
9. Do not block any ventilation openings. Install in accordance with the manufacturer's instructions.
10. Do not install near any heat sources such as radiations, heat registers, stoves, or other apparatus (including amplifiers) that produce heat.
11. Do not defeat the safety purpose of the polarized or grounding plug. A polarized plug has two blades with one wider than the other. A grounding plug has two blades and a third grounding prong. The wide blade or the third prong is provided for your safety. If the provided plug does not fit into your outlet, consult an electrician for replacement of the obsolete outlet.
12. Protect the power cord from being walked on or pinched particularly at the plugs, convenience receptacles, and at the point where they exit from the apparatus.
13. Only use attachments/accessories specified by the manufacturer.
14. Use only with the cart, stand, tripod, bracket, or table specified by the manufacturer, or sold with the apparatus. When a cart or rack is used,
15. use caution when moving the cart/apparatus combination to avoid




16. injury from tip-over.
17. Unplug the apparatus during lighting storms or when unused for
18. long periods of time.
19. Refer all servicing to qualified personnel. Servicing is required when the apparatus has been damaged in any way, such as power supply cord or plug is damaged, liquid has been spilled
20. or objects have fallen into the apparatus has been exposed to rain or moisture, does not
21. operate normally, or has been dropped.
- 22.




-This lightning flash with arrowhead symbol within an equilateral triangle is intended to alert the user to the presence of non-insulated “dangerous voltage” within the product’s enclosure that may be of sufficient magnitude to constitute a risk of electric shock.

-Warning: To reduce the risk of electric shock, do not remove cover (or back) as there are no user-serviceable parts inside. Refer servicing to qualified personnel.

-The exclamation point within and equilateral triangle is intended to alert the user to the presence of important operating and maintenance instructions in the literature accompanying the appliance.

23. 

This equipment is a Class II or double insulated electrical appliance. It has been designed in such a way that it does not require a safety connection to electrical earth.

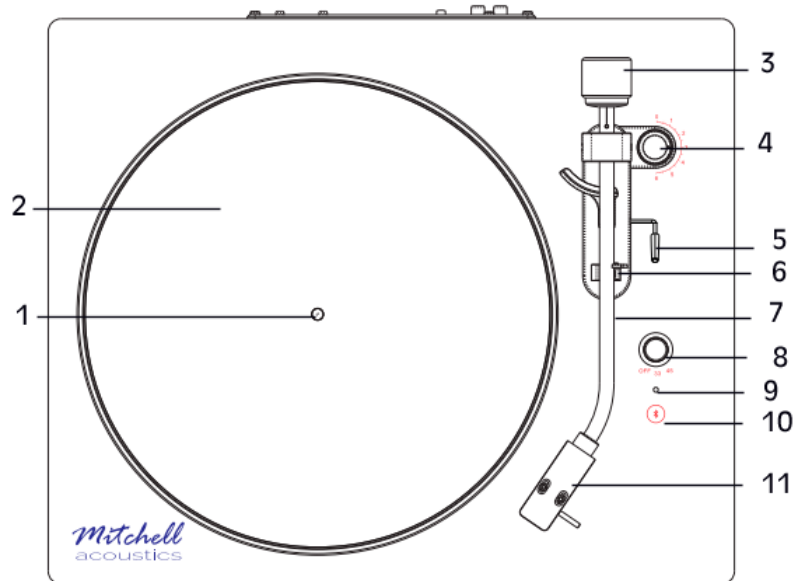
24. The mains plug is used as disconnect device, the disconnect device shall remain readily operable.
25. **WARNING**  
To reduce the risk of fire or electric shock, do not expose this apparatus to rain or moisture. The apparatus shall not be exposed to dripping or splashing and that no objects filled with liquids, such as vases, shall not be placed on apparatus.
26. The use of the equipment in moderate climate.
27. The ventilation should not be impeded by covering the ventilation openings with items such as, newspapers, tablecloths, curtains, etc.
28. No naked flame sources, such as lighted candles, should be placed on the apparatus.
29. The symbol  with Indication AC voltage.
30. **CAUTION:** These servicing instructions are for use by qualified service personnel only. To reduce the risk of electric shock, do not perform any servicing other than that contained in the operating instructions unless you are qualified to do so.
31. **WARNING:** Please refer the information on exterior bottom enclosure for electrical and safety information before installing or operating the apparatus.

## Before Use

1. Choose unit installation location carefully. Avoid placing it in direct sunlight or close to a source of heat. Also avoid locations subject to vibrations and excessive dust, cold or moisture. Keep away from sources that hum, such as transformers or motors.
2. Do not open the cabinet as this may result in damage to the circuitry or electrical shock. If a foreign object should get into the set, contact Customer Service.
3. Be sure not to handle record with dirty fingers. Never play a record that has a crack on the surface.
4. When removing the power plug from the wall outlet, always pull directly on the plug, never pull the cord.
5. To protect the stylus, don't forget to put on the white protective needle cover after use.
6. Do not attempt to clean the unit with chemical solvents as this might damage the finish. Use a clean, dry cloth.
7. In order to shut off the power to this product completely, unplug the power cord from the wall outlet. Be sure to unplug the unit if you do not intend to use it for an extended period of time, such as a vacation.
8. Keep this manual in a safe place for future reference.

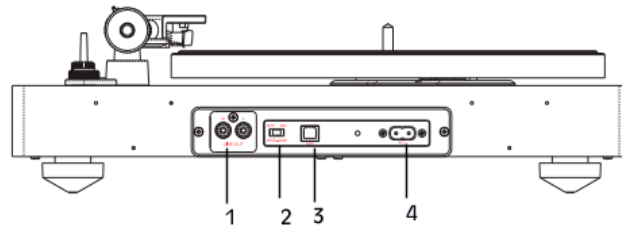
# Product Overview

Top view



#	ITEM	DESCRIPTION
1	Spindle	Place a record onto the spindle to play.
2	Turntable	Aluminum alloy turntable.
3	Counterweight	Turn to adjust the needle pressure.
4	Anti-skate control	Turn to adjust the inward tracking forces that occur with certain pick-up when the stylus nears the center of the record.
5	Tone arm lifter	Push forward and pull back to raise and lower tone arm.
6	Tone arm rest holder	Place the tone arm on this holder when not in use.
7	Tone arm	Holds the stylus that produces sound from the record.
8	RPM selector switch	Turn to select the record type (33 or 45) or OFF to turn off your turntable.(The default OFF)
9	Status indicator	Displays status: <ul style="list-style-type: none"> <li>. Blinking red and blue indicates Bluetooth i in pairing mode.</li> <li>. Solid blue indicates Bluetooth is connected.</li> <li>. Solid red indicates is connected fail.</li> </ul>
10	Bluetooth pairing button	Press and hold for two seconds to start Bluetooth pairing. Your turntable pairs to audio devices(such as Bluetooth speakers, headphones, and receivers).The Bluetooth indicator blinks red and blue until a link is made. After you connect to a Bluetooth speaker, your turntable automatically reconnects to the speaker each time you turn on your turntable and set it to 33 or 45 RPM.
11	Stylus	Generates sound from a playing record.

**Back view:**



#	ITEM	DESCRIPTION
1	Line-out jack	Plug the included RCA cable into this jack. Make sure red to red and white to white.
2	PRE-AMP ON/OFF switch	Make sure the pre-amp switch is “ON” when the connected external device is line input. When the connected external device is Phono input, the pre-amp switch switches to "OFF". Improper setting of pre-amp switch can result in no sound or explosive sound.
3	USB jack	Plug USB cable to connecting a PC to recording.
4	AC power jack	Plug the AC power cord into this jack and into a power outlet.

## Setting up your turntable

You need to install the turntable before you can use it.

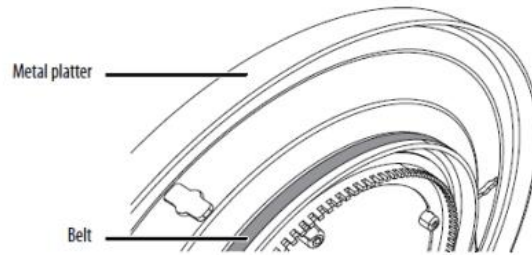
1. Take the accessories out of the packing case and check that the accessories are in complete and good condition.

#	Accessory	Quantity
1	RCA cable	1 pcs
2	Power cable	1 pcs
3	Counterweight	1 pcs
4	45 RPM adapter	1 pcs
5	Turntable mat	1 pcs
6	Two belts	1 pcs (installed)
7	User guide	

2. Install the metal platter (the belt is preinstalled on the bottom of the metal platter) and a turntable mat on the metal platter.
3. Attach and adjust the counterweight.
4. Carefully remover the tape. Too much force will damage the cover and stylus.

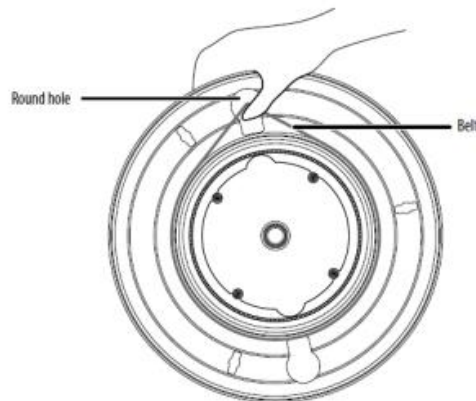
## Installing the platter and turntable mat

**Note:** The belt is preinstalled on the bottom of the metal platter.

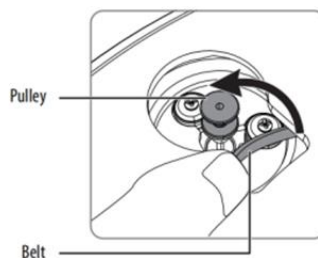


1. Make sure that the belt is not twisted, then use your thumb to stretch the belt until it reaches the round hole in the platter.

**Note:** Make sure that you place the belt on the metal track and not on the section with teeth.



2. Still holding the belt, flip the platter over, then insert the platter onto the spindle in the center of your turntable.
3. Align the round hole in the platter with the pulley and use your finger to hook the belt onto the pulley.



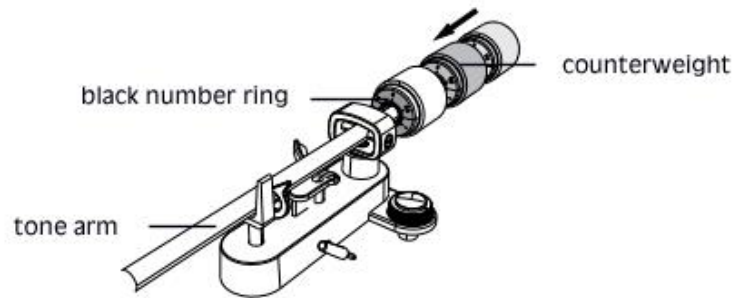
4. Place the turntable mat on the platter.

**Note:** When you want to take out the platter from the turntable, remove the mat first, then grasp the platter and pull it upward. This is especially important if you are shipping your turntable to prevent the platter from shaking.

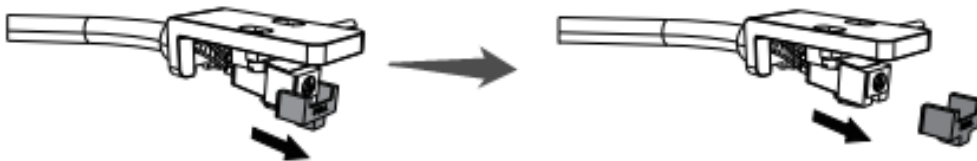
## Attaching and adjusting the counterweight

The counterweight on the tone arm adjusts the needle pressure. If the pressure is too much, sound is distorted. If the pressure is too little, track skipping happens more frequently.

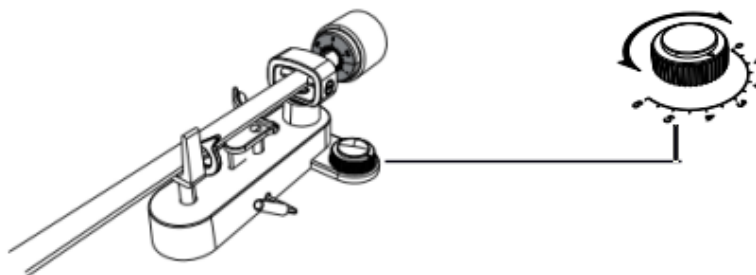
1. Hold the counterweight with the black number ring on the counterweight towards you, and then slightly push the counterweight into the end of tone arm. When you hear the second click from the pogo pin on the tone arm, the counterweight has been installed correctly.



2. Remove the stylus cover.



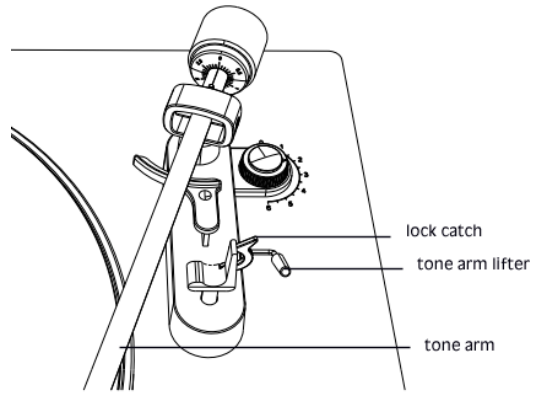
3. Set the **Anti-Skating** control to **0** (zero).



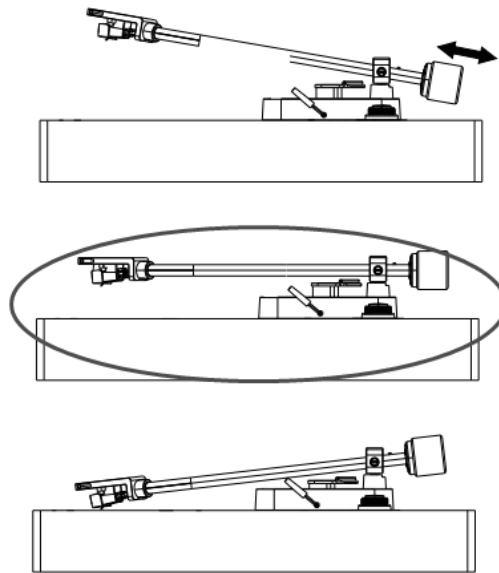
4. Release the lock catch, push the tone arm lifter forward so that the tone arm leaves the base, then push the tone arm left to the position above the turntable.

**CAUTION:** Make sure that the needle does not contact any part of your turntable.

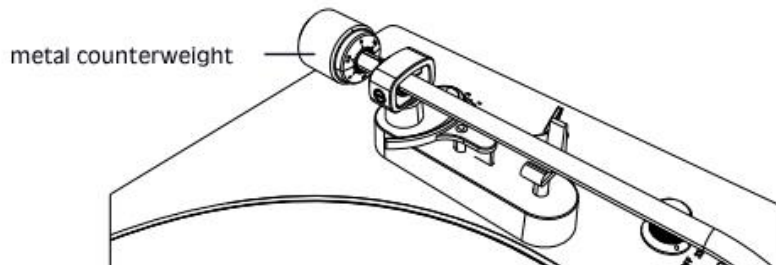




5. Turn the counterweight so that the tone arm is horizontal. You can move the counterweight forward or backward on the tone arm.

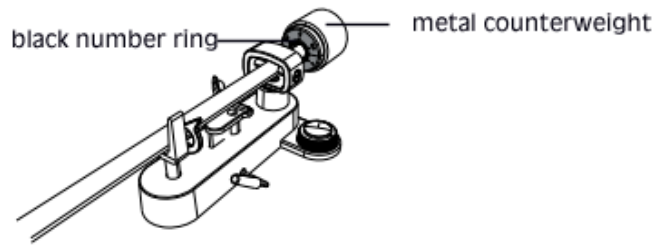


6. Hold the metal counterweight at the back of the tone arm.



7. Hold the metal counterweight to keep it from moving, and then carefully rotate the front black number ring so that 0 is in the 12 o'clock position.

**Note:** Do not turn the metal counterweight. The black number ring turns separately.



8. Hold both the metal counterweight and black number ring together. Rotate them counter-clockwise one full circle, then set the ring to 0 so that 0 on the dial is in the 12 o'clock position. This will set the tone arm to 2.0 grams of downward force (the recommended tracking weight) for this needle.

## Using your turntable

Plug one end of the power cord into the AC power jack on the back of the turntable, and then plug the other end into a power outlet.

1. We strongly recommended that you operate your turntable only from the type of power source indicated on the marking label.
2. To prevent interference, avoid bundling the audio signal cables together with the AC power cord.
3. The top cover helps prevent dust from settling on your turntable. We recommend that you use the top cover when you're playing records or when you're not using your turntable.

## Playing a record

1. Gently open the dust cover.  
**Note:** Be careful not to pinch your finger when opening or closing the dust cover.
2. Place a vinyl record on the turntable.  
**Note:** When playing a 45 RPM record, use the included 45 RPM adapter if required.
3. Select the appropriate speed by turning the RPM selector switch to 33 or 45.
4. Remove the tone arm-rest lock catch to release the tone arm.
5. Push the tone arm lifter forward to raise the tone arm.
6. Gently push the tone arm to the left over the turntable.
7. Push the tone arm lifter backward to lower the tone arm so that the stylus touches the record and starts to play.
8. To pause or stop playing, push the tone arm lifter forward to raise the tone arm.

**Note:** When the end of the record is reached, the tone arm and rotation stop.

9. When playing is completed, push the tone arm lifter forward to raise the tone arm, and then move the arm back to the tone arm rest. Push the tone arm lifter down to lower the tone arm.

**Notes:**

- *Closing the top cover helps prevent dust from settling on the turntable.*
- *Always relock the tone arm clip before transporting your turntable.*
- *Do not place anything on top of the turntable cover, especially while playing a record.*

## Listening to music using Bluetooth speakers

1. Turn the switch to your record type, **33** or **45**.
2. Put your Bluetooth speaker in pairing mode.  
**Note:** *Make sure that Bluetooth is off on any devices in the vicinity that will automatically connect to your speaker.*
3. On the turntable, press and hold the Bluetooth pairing button for two seconds to turn the Bluetooth transmitter on. While searching, the Bluetooth indicator flashes red and blue. When connected successfully, the Bluetooth indicator lights solid, and your turntable sounds a tone.

**Notes:**

- *If your turntable fails to connect with your speaker, the Bluetooth indicator lights red. Press the Bluetooth pairing button one more time to reconnect with your Bluetooth speaker.*
- *The effective distance between your Bluetooth device and your turntable is 33 ft. (10 m).*
- *Make sure that you remove any obstacle between your Bluetooth speaker and your turntable to make sure that the sound is clear.*

4. To turn off the Bluetooth, press and hold the Bluetooth pairing button for 2 seconds until the status indicator turns off.
5. To reset Bluetooth, press the Bluetooth pairing button five times continuously until the status indicator turns purple.

**Note:** *After reset, it is recommended to press the Bluetooth pairing button to turn off Bluetooth transmission. And then switch the RPM selector switch to OFF and restart the turntable.*

## Listening to music through the Line out jacks

1. Plug the red and white connectors on the included RCA cable into the **Line out** jack on the back of your turntable, red to red and white to white.
2. Plug the other end of the cable into your speakers, red to right speaker and white to left speaker.
3. Toggle the PRE-AMP ON/OFF switch to select the output mode.

Connected external device	Switch position
Device with PHONO input	OFF
Device without PHONO input	ON

### Note:

1. Improper setting of PRE-AMP ON/OFF switch will lead to no sound or explosive sound.
2. Adjust the volume of the external speaker when using the RCA cable.

## USB Recording operation

To properly record your vinyl to MP3 via computer, use the included USB Output Cable and Instructional CD Software. Connect one end of the USB cable to the turntable (USB jack on the back of the unit) and the other end into your computer. Then connect the AC power cord to the turntable.

To install and use the software on your computer, select the proper Mac or PC install files, then follow the prompts provided on the Instructional CD.

For the most up to date manuals, software, instructional details, troubleshooting or other downloadable content, please go to <http://audacityteam.org>

## Replacing the stylus

The stylus should last about 300 hours under normal use. However, it is recommended that the stylus be replaced as soon as you notice a change in sound quality. Prolonged use of a worn-out stylus may damage the record.

1. Turn the RPM selector switch to OFF to turn off the power.
2. Remove the stylus by pulling it downward and forward at the same time.



3. Insert the new stylus upwards into the slot under the head, then push upward until the tip locks into place.



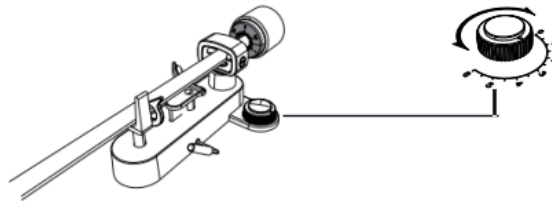
**CAUTIONS:**

1. Do not remove or bend the stylus.
2. Do not touch the needle to avoid injury your hand.
3. Keep out of reach of children.

## Adjusting the anti-skating control

When a record is playing, a small inward force (might cause skating) pull the tone arm towards the center of the record. To counteract this inward force, you can adjust the anti-skating control to apply an outward force (anti-skating).

Normally you should set anti-skating compensation to its minimum setting. If the turntable is experiencing excessive skipping while nearing the center spindle, try increasing the anti-skating. Start by adding an increment of 1, and then test its performance. If needed, you can increase and test by one increment at a time.



**Notes:**

1. When you adjust the **Anti-Skating** knob, leave the tone arm and balance weight alone to prevent damaging the stylus needle.
2. If a record can't playback entire tracks, we recommend you reset the anti-skating control to **0** (zero).
3. In case of substantial use of back-cueing, scratching, or reverse-direction operation, you may prefer to use less, or no, anti-skate compensation.

## Enjoying your sound experience

Needle pressure impacts your sound experience and is controlled by the counterweight. You can adjust it to fit your personal preference. Reduce it to bring out rich bass in your music selections or increase it to bring out higher frequencies. See Attaching and adjusting the counterweight.

**Note:**

After adjusting the counterweight, you may need to adjust the anti-skating force. See Adjusting the anti-skating control.

## Specification:

### GENERAL

Power Requirements	AC 120-240V ~ 50/60 Hz
Power Consumption	5 W
Dimensions (W x H x D)	42.8cm x 13.5cm x 36.8cm. (approx.)

### BLUETOOTH TRANSMIT

Bluetooth Version	Bluetooth V5.1
Bluetooth Profiles	A2DP, AVRCP
Bluetooth Frequency range	2.402GHz-2.480GHz
Operating Distance	10 meters (33 ft.)
Maximum RF Power	<5dBm

### RECORD PLAYER section

Motor	DC servo motor
Drive System	Belt Drive
Speeds	33-1/3 rpm, 45 rpm,
Wow Flutter	Less than 0.25% (WTD)
S/N Ratio	55 dB
Cartridge Type	Moving Magnetic Cartridge
RCA OUT	200-280 mV (5 cm/sec at 1 KHz-10dB)
Phono out	3-4mv ((5 cm/sec at 1 KHz-10dB)

### USB

Type	USB series B connector
Full-speed	USB 2.0 full speed

The Bluetooth® word mark and logos are registered trademarks owned by Bluetooth SIG, Inc. and any use of such marks by Mitchell Acoustics is under license. Other trademarks and trade names are those of their respective owners.

## Troubleshooting

Check this list for a possible trouble shooting solutions before calling for service.

### General

PROBLEM	SOLUTION
My turntable doesn't turn on.	<ul style="list-style-type: none"><li>• Make sure that the power cord is connected to your turntable and a working power outlet.</li></ul>
I don't hear sound from the speakers.	<ul style="list-style-type: none"><li>• Increase the volume on the external speaker.</li><li>• If you are using the RCA jacks, make sure that the RCA cable is connected correctly and securely.</li></ul>
The sound is noisy.	<ul style="list-style-type: none"><li>• Turn off appliances (like a TV) near your turntable.</li><li>• Move your turntable farther away from nearby appliances.</li></ul>
My turntable is on, but doesn't respond.	<ul style="list-style-type: none"><li>• Remove the power cord and all power supply devices, wait one minute, then plug your turntable back into the power outlet.</li></ul>

### PHONO Player

PROBLEM	SOLUTION
The sound is noisy when I use my turntable for a period of time.	<ul style="list-style-type: none"><li>• Replace the stylus.</li></ul>
A record doesn't fit on the spindle.	<ul style="list-style-type: none"><li>• Make sure that the record is a 33 or 45 RPM record. Your turntable doesn't play 78 RPM records</li></ul>

### Bluetooth

PROBLEM	SOLUTION
My turntable won't pair with a Bluetooth device.	<ul style="list-style-type: none"><li>• Press and hold the Bluetooth pairing button for two seconds to make sure that your turntable is switched to transmitting mode.</li><li>• Make sure that your Bluetooth speaker is turn on and in Bluetooth mode. See the instructions that came with your Bluetooth speaker.</li><li>• Move your Bluetooth speaker closer to your turntable.</li></ul>
Bluetooth pairing failed.	<ul style="list-style-type: none"><li>• Make sure that your Bluetooth speaker is not connected to another Bluetooth device. If it is connected to another device, turn off the device or delete the Bluetooth connection name from your speaker's list of devices.</li><li>• Make sure that your Bluetooth speaker uses BQB-certified receive.</li></ul>
Bluetooth can't reconnect	<ul style="list-style-type: none"><li>• Press the Bluetooth pairing button five times continuously until the status indicator turns purple To reset Bluetooth and then restart pairing normally.</li></ul>